

JD35 TON INT JFB BODY HEAVY DUTY WRECKER PARTS MANUAL

S/N 0230004251 TO PRESENT

JERR-DAN[®]

An Oshkosh Corporation Company

13224 Fountainhead Plaza
Hagerstown, MD 21742
Phone (717) 597-7111
www.jerr-dan.com

5-376-000171
Rev A - May 1, 2017



© 2017 Jerr-Dan Corporation. All Rights Reserved

This manual covers the following Jerr-Dan Models:

JD35INT - 35 Ton Integrated With JFB Body

Jerr-Dan Corporation strives to provide information that is accurate, complete and useful. Descriptions and illustrative material contained within this manual are as accurate as known at the time of publication and are subject to change, without notice, as a result of continuous product improvements. Jerr-Dan reserves the right to amend the information in this document at any time without prior notice.

Information contained in this manual reflects how this vehicle was built at the factory. Modifications or additions by the distributor or owner are not reflected in this manual.

This parts manual does not include service parts information for the commercial chassis (IHC, Ford, GM, etc.). That information is provided by the chassis manufacturer.

When ordering parts, please refer to your unit's Serial Number and Model Number. This information is be found on the aluminum tag riveted to the inside of the driver's side rear compartment of the main body.



Additional or replacement manuals can be ordered by calling Jerr-Dan Parts at 717-597-7111. Price and availability will be quoted at time of the request.

Please report comments and/or errors by contacting Jerr-Dan Corporation's Technical Publications Department by e-mail at technicalpublications@jerr-dan.com or by FAX on 717-485-7162.

Manufactured under one or more of the following patents: 5,575,606; 5,672,042; 5,697,741; 5,713,714; 5,722,810; 5,782,596; 5,839,775 and 6,315,515 B1 with other Patents Pending.

Jerr-Dan and the Jerr-Dan logo are registered trademarks and Run Hard is a service mark of Jerr-Dan Corporation, Hagerstown, MD USA.

The material in this document is confidential and the property of Jerr-Dan Corporation. No part of this document may be photocopied, Reproduced or translated to another language without the express written consent of Jerr-Dan Corporation.

EFFECTIVITY PAGE

January 1, 2016 - Original Issue of Manual - Rev. 0

May 1, 2017 - Rev. A - Manual Update

TABLE OF CONTENTS

SECTION 1 - SUBFRAME.....	11
SUBFRAME INSTALLATION.....	12
REAR TAIL PLATE INSTALLATION	14
REAR SPADE INSTALLATION	16
SECTION 2 - BOOM.....	19
BOOM INSTALLATION.....	20
WRECKER BOOM ASSEMBLY.....	22
UNDERLIFT INSTALLATION.....	24
UNDERLIFT ASSEMBLY - 3170000220 - 35,000 LB (STANDARD).....	26
UNDERLIFT ASSEMBLY - 3170000433 - 30,000 LB (OPTIONAL).....	28
CROSSTUBE INSTALLATION.....	30
WINCH INSTALLATION - 35K DP WINCHES (PRIOR TO S/N 0230004251).....	32
WINCH INSTALLATION - 25K DP WINCHES (PRIOR TO S/N 0230004251).....	34
WINCH INSTALLATION - 35K DP WINCHES (S/N 0230004251 TO PRESENT).....	36
WINCH INSTALLATION - 35K DP WINCHES (S/N 0230004251 TO PRESENT).....	38
WINCH AIR INSTALLATION.....	40
DP WINCH 25K - 7970000049 - (PRIOR TO S/N 0230004251).....	42
DP WINCH 25K - 7970000050 - (PRIOR TO S/N 0230004251).....	56
DP WINCH 35K - 7970000066 - (PRIOR TO S/N 0230004251).....	70
DP WINCH 35K - 7970000067 - (PRIOR TO S/N 0230004251).....	84
DP WINCH 35K - 1001210256 - (S/N 0230004251 TO PRESENT).....	98
DP WINCH 35K - 1001210257 - (S/N 0230004251 TO PRESENT).....	112
SECTION 3 - BODY.....	127
BODY INSTALLATION - TANDEM.....	128
MUDFLAP INSTALLATION - TANDEM.....	130
FENDER INSTALLATION - TANDEM.....	132
DIAMOND PLATE INSTALLATION - TANDEM.....	134
BODY INSTALLATION - TRI-AXLE.....	136
MUDFLAP INSTALLATION - TRI-AXLE.....	138
FENDER INSTALLATION - TRI-AXLE.....	140
DIAMOND PLATE INSTALLATION - TRI-AXLE.....	142
STEP INSTALLATION.....	144
GRAB HANDLE INSTALLATION.....	146
TOOLBOX INSTALLATION - 51" W/ BATTERIES.....	148
TOOLBOX INSTALLATION - 51" W/ BATTERIES AND COUNTER WEIGHT.....	150
TOOLBOX ASSEMBLY - 51" W/ BATTERIES.....	152

TABLE OF CONTENTS

TOOLBOX INSTALLATION - 39" W/ BATTERIES.....	154
TOOLBOX INSTALLATION - 49" W/O BATTERIES.....	158
TOOLBOX INSTALLATION - 37" W/O BATTERIES.....	162
DOOR INSTALLATION - TANDEM BODY PAINTED.....	166
DOOR INSTALLATION - TANDEM BODY BRUSHED.....	168
DOOR INSTALLATION - TRI-AXLE PAINTED.....	170
DOOR INSTALLATION - TRI-AXLE BRUSHED.....	172
DOOR INSTALLATION - 51" TUNNEL TOOLBOX PAINTED.....	174
DOOR INSTALLATION - 49" TUNNEL TOOLBOX BRUSHED.....	176
DOOR INSTALLATION - 39" TUNNEL TOOLBOX PAINTED.....	178
DOOR INSTALLATION - 37" TUNNEL TOOLBOX BRUSHED.....	180
SHACKLE RACK INSTALLATION - TANDEM.....	182
SHACKLE RACK INSTALLATION - TRI-AXLE.....	184
STAY DRY SILO INSTALLATION.....	186
SHELVING INSTALLATION - 37" TOOLBOX.....	188
SHELVING INSTALLATION - 49" TOOLBOX.....	190
ROTARY CHAIN RACK.....	192
CHAIN BINDER INSTALLATION TANDEM.....	194
CHAIN BINDER INSTALLATION TRI-AXLE.....	196
PYLON INSTALLATION - 34" PYLON.....	198
PYLON INSTALLATION - 39" PYLON.....	200
PYLON INSTALLATION - 57" PYLON.....	202
PYLON LIGHT INSTALLATION - ALL.....	204
PYLON HARNESS INSTALLATION - 34" AND 39" PYLON.....	206
PYLON HARNESS INSTALLATION - 57" PYLON.....	208
PYLON COVER INSTALLATION - 34" PYLON.....	210
PYLON COVER INSTALLATION - 39" PYLON.....	212
PYLON COVER INSTALLATION - 57" PYLON.....	214
PYLON ADAPTER INSTALLATION - 39" TUNNEL (34" AND 39" PYLON).....	216
PYLON ADAPTER INSTALLATION - 51" TUNNEL (57" PYLON).....	218
PYLON DRESS-UP KIT - 34" PYLON.....	220
PYLON DRESS-UP KIT - 39" PYLON.....	222
PYLON DRESS-UP KIT - 57" PYLON.....	224
PYLON DRESS-UP KIT - 34" PYLON - POLISHED.....	226
PYLON DRESS-UP KIT - 39" PYLON - POLISHED.....	228
PYLON DRESS-UP KIT - 57" PYLON - POLISHED.....	230
SECTION 4 - CONTROL.....	233
CONTROL INSTALLATION - 8 SECTION - 6 SOLENOID (PRIOR TO S/N 0230004251).....	234

TABLE OF CONTENTS

CONTROL INSTALLATION - 8 SECTION - 6 SOLENOID (S/N 0230004251 TO PRESENT).....	238
CONTROL VALVE ASSEMBLY - 1001194284.....	242
VALVE ASSEMBLY - 7935000330.....	244
CONTROL INSTALLATION - 8 SECTION - 3 SOLENOID (PRIOR TO S/N 0230004251).....	246
CONTROL INSTALLATION - 8 SECTION - 3 SOLENOID (S/N 0230004251 TO PRESENT).....	250
CONTROL VALVE ASSEMBLY - 1001193527.....	254
VALVE ASSEMBLY - 7935000293.....	256
 SECTION 5 - CYLINDER.....	 259
SPADE CYLINDER ASSEMBLY - 7320000006.....	260
BOOM LIFT CYLINDER - 7320000032.....	262
WRECKER BOOM CYLINDER - 7320000031.....	264
UNDERLIFT TILT CYLINDER - 7320000098.....	266
UNDERLIFT TILT CYLINDER - 7320000033.....	268
UNDERLIFT EXTENSION CYLINDER ASSEMBLY - 7320000042.....	270
UNDERLIFT EXTENSION CYLINDER ASSEMBLY - 7320000076.....	272
 SECTION 6 - HYDRAULIC.....	 275
SUBFRAME HYDRAULIC TUBING.....	276
HYDRAULIC TANK INSTALLATION.....	278
HYDRAULIC TANK ASSEMBLY.....	280
REAR SPADE TUBING.....	282
BOOM TUBE ASSEMBLY.....	284
POWER TAKE OFF - CS SERIES.....	286
POWER TAKE OFF - SH SERIES.....	288
HYDRAULIC SUPPLY PRESSURE INSTALLATION.....	290
HYDRAULIC LINES AND FITTINGS.....	292
DRIVER SIDE GAUGE INSTALLATION.....	296
 SECTION 7 - ELECTRICAL.....	 299
LIGHTBAR - CODE 3 - 1001136990.....	300
LIGHTBAR - CODE 3 - 1001152815.....	302
LIGHTBAR - WHELEN - 1001199475.....	304
ELECTRICAL INSTALLATION - TANDEM AXLE.....	308
ELECTRICAL INSTALLATION - TRI-AXLE.....	314
BACKUP ALARM INSTALLATION.....	320
E-STOP INSTALLATION.....	322
MARKER LIGHT INSTALLATION - TANDEM.....	324

TABLE OF CONTENTS

MARKER LIGHT INSTALLATION - TRI-AXLE.....	326
COMPARTMENT LIGHT INSTALLATION - TANDEM.....	328
COMPARTMENT LIGHT INSTALLATION - TRI-AXLE.....	330
WING LIGHT BRACKET INSTALLATION.....	332
WING LIGHT INSTALLATION.....	334
PUBLIC SAFETY LIGHT BAR - 1001133591.....	336
22" WHELEN LIGHT BAR - 1001199478.....	338
SWITCH PANEL INSTALLATION (PRIOR TO S/N 0230004251).....	340
SWITCH PANEL INSTALLATION (S/N 0230004251 TO PRESENT).....	342
SECTION 8 - DECAL.....	345
DECAL INSTALLATION.....	346
SECTION 9 - ACCESSORIES.....	351
TOOL DRAWER INSTALLATION - TANDEM.....	352
TOOL DRAWER INSTALLATION - TRI-AXLE.....	354
UNDERLIFT TOOLS - 5TH WHEEL INSTALLATION.....	356
UNDERLIFT TOOLS - FRAME FORKS.....	358
UNDERLIFT TOOLS - 14,000 LB TIRE LIFT.....	360
UNDERLIFT TOOLS - 25,000 LB TIRE LIFT.....	362
UNDERLIFT TOOLS - PINTLE HOOK.....	364
TRAILER AIR INSTALLATION.....	366
TRAILER PLUG INSTALLATION.....	368
TOOL STORAGE.....	370
TILT DOWN STORAGE TRAY - TANDEM.....	372
TILT DOWN STORAGE TRAY - TRI-AXLE.....	374
SNATCH BLOCK STORAGE INSTALLATION - TANDEM.....	376
SNATCH BLOCK STORAGE INSTALLATION - TRI-AXLE.....	378
TIRE LIFT STORAGE - 51" AND 49" TOOLBOX.....	380
TIRE LIFT STORAGE - 39" AND 37" TOOLBOX.....	382
TRAFFIC CONE STORAGE.....	384
LADDER STORAGE.....	386
TOW LIGHT STORAGE.....	388
WHEEL CHOCK STORAGE.....	390
FLARE STORAGE.....	392
BOTTLE JACK STORAGE.....	394
FIFTH WHEEL STORAGE INSTALLATION.....	396
FRAME FORK STORAGE INSTALLATION.....	398

TABLE OF CONTENTS

FORK RISER STORAGE INSTALLATION.....400
GRIZZLY BAR STORAGE.....402
AIR BAG STORAGE SHELF 49" TUNNEL TOOLBOX.....404
AIR BAG STORAGE SHELF 37" TUNNEL TOOLBOX.....406

THIS PAGE INTENTIONALLY LEFT BLANK

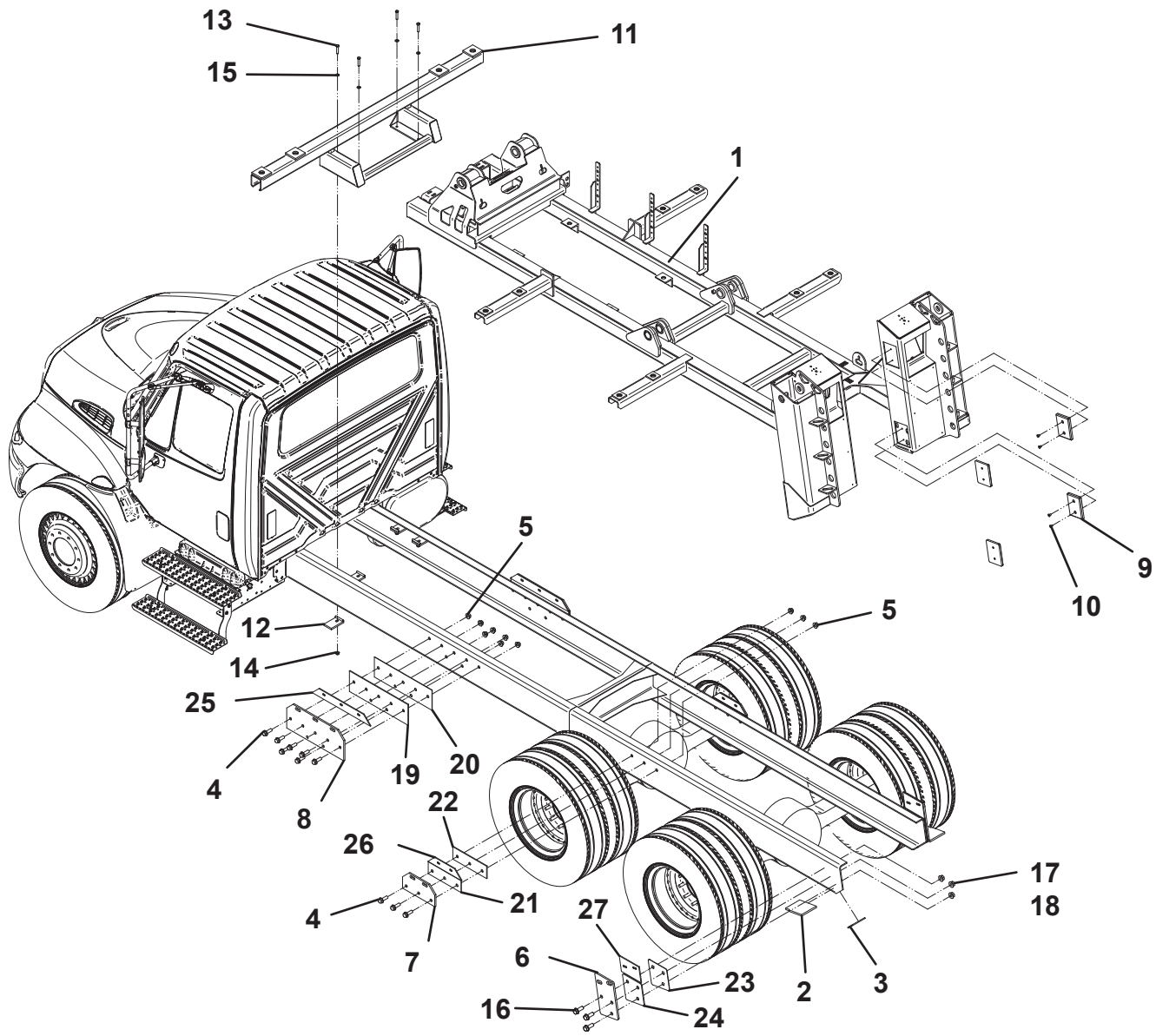
SECTION 1 - SUBFRAME

SUBFRAME INSTALLATION

ITEM	PART NO.	DESCRIPTION	QTY	REV
	3577000055	Subframe Installation	Ref	F
1	1001202798	Subframe	1	
2	4706002557	Plate	2	
3	4062000324	Bar	2	
4	7118221816	Capscrew, 0.75" - 10NC x 2.25"	20	
5	7660222308	Locknut, 0.75" - 10NC	20	
6	4706002554	Plate	2	
7	1001144730	Plate	2	
8	1001144657	Plate	2	
9	4679000127	Pad	4	
10	7115160623	Capscrew, 0.38" - 16NC x 0.70"	8	
11	3868000157	Subframe weldment	1	
12	3274000011	Clamp	4	
13	7115182050	Capscrew, 0.50" - 13NC x 2.50"	4	
14	7660182301	Locknut, 0.50" - 13NC	4	
15	7950180252	Flatwasher, 0.50" ID	4	
16	7118242050	Capscrew, 0.88" - 9NC x 2.50"	6	
17	7949000061	Washer, 0.88" ID	6	
18	7660242308	Locknut, 0.88" - 9NC	6	
19	1001144957	Shim	2	
20	1001144959	Shim	2	
21	1001144984	Shim	2	
22	1001144985	Shim	2	
23	4706002141	Plate	2	
24	4706002142	Plate	2	
25	4706002163	Plate	2	
26	4706002555	Plate	2	
27	4706002556	Plate	2	

* Also Available In Shim Kit - 3577000036

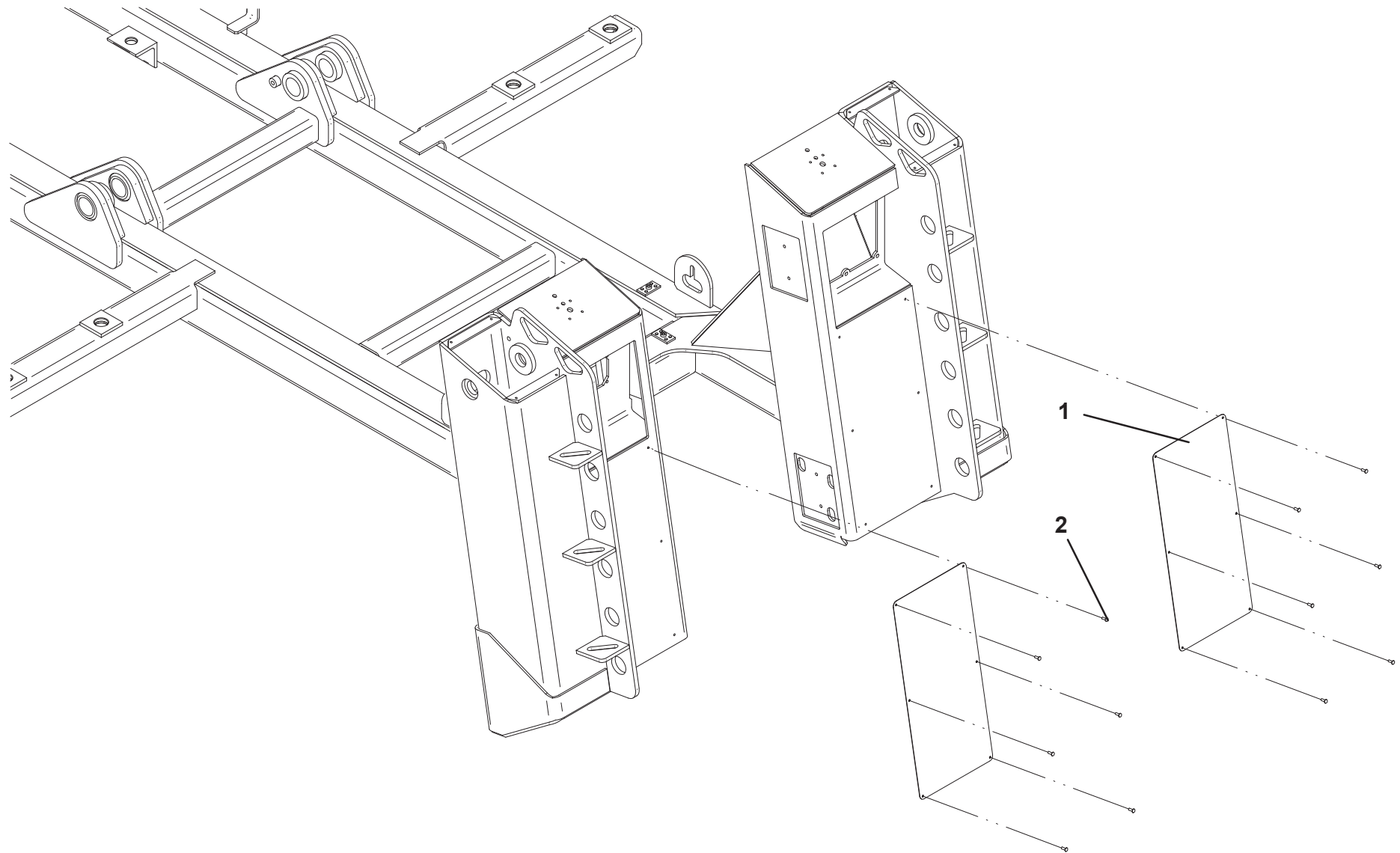
SUBFRAME INSTALLATION



REAR TAIL PLATE INSTALLATION

ITEM	PART NO.	DESCRIPTION	QTY	REV
	2503700052	Rear Tail Plate Installation	Ref	B
1	4706002491	Plate	2	
2	7759000018	Rivet	12	

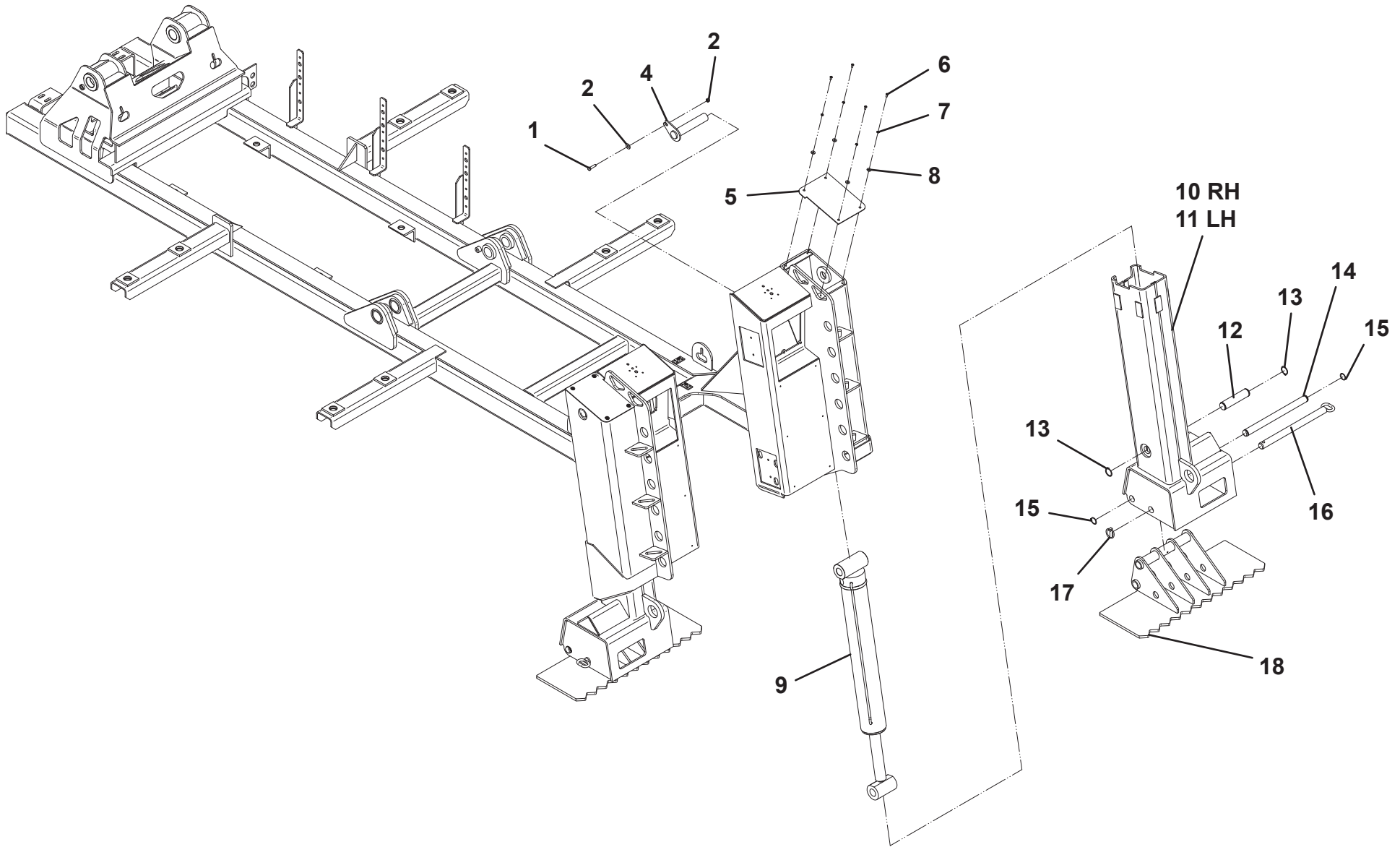
REAR TAIL PLATE INSTALLATION



REAR SPADE INSTALLATION

ITEM	PART NO.	DESCRIPTION	QTY	REV
	2506690065	Rear Spade Installation	Ref	1
1	7115161250	Capscrew, 0.38"-16NC x 1.50"	2	
2	7950160161	Flatwasher, 0.38" ID	2	
3	7660162601	Locknut, 0.38"-16NC	2	
4	3691000139	Pin	2	
5	4706003714	Plate	2	
6	7114140518	Capscrew, 0.25"-20NC x 0.62"	8	
7	7949000025	Lockwasher, 11mm x 6.4mm	8	
8	7950140153	Flatwasher, 0.25" ID	8	
9	7320000006	Spade Cylinder (See Separate Breakdown in CYLINDER Section)	2	
10	3263000068	Spade , RH	1	
11	3263000067	Spade, LH	1	
12	4691000207	Pin	2	
13	7754000033	Retaining Ring	4	
14	4691000200	Pin	2	
15	7754000008	Retaining Ring	4	
16	3691000126	Pin	2	
17	7691000019	Lynch Pin	2	
18	1001190040	Spade Foot	2	

REAR SPADE INSTALLATION



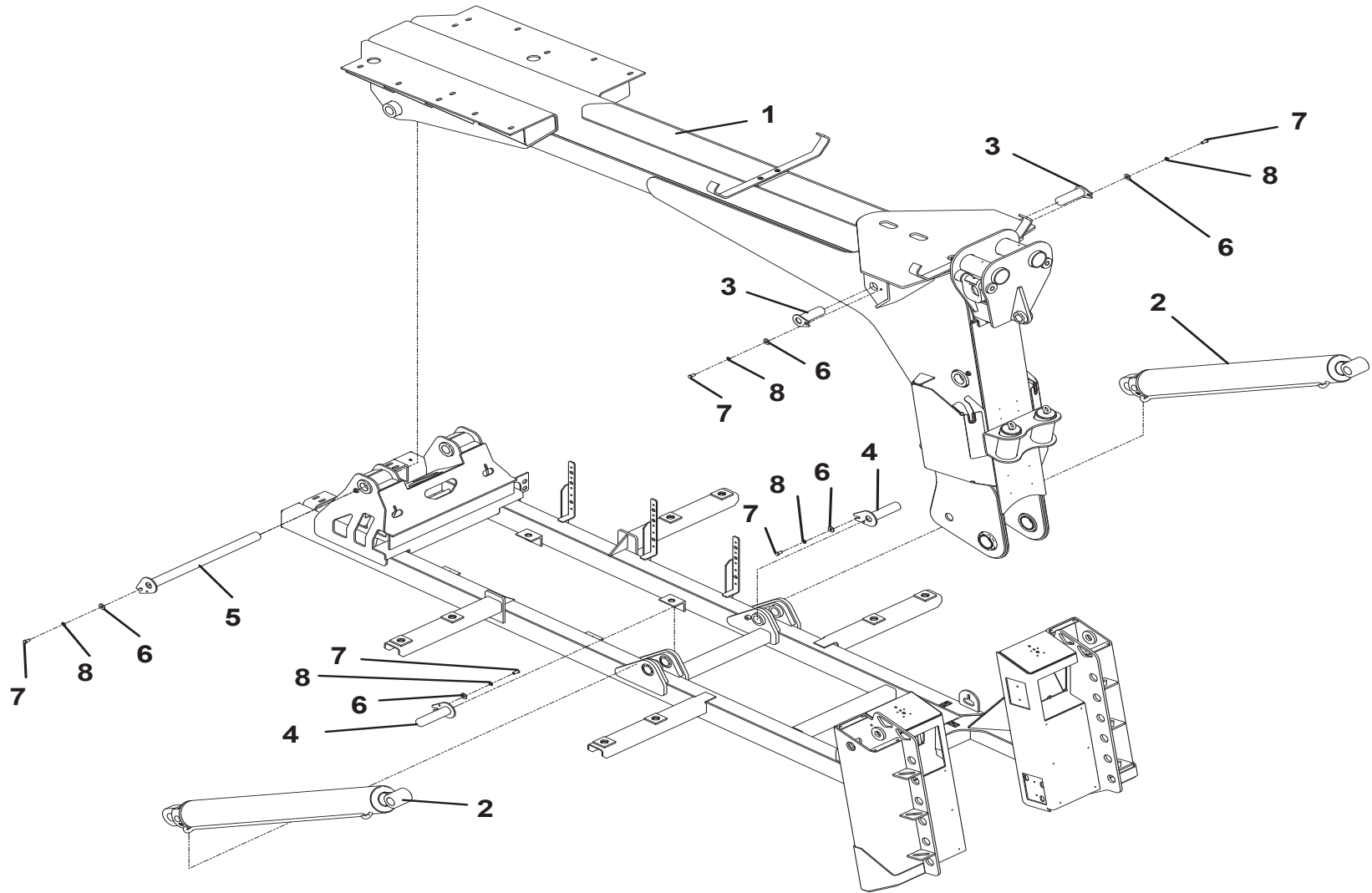
THIS PAGE INTENTIONALLY LEFT BLANK

SECTION 2 - BOOM

BOOM INSTALLATION

ITEM	PART NO.	DESCRIPTION	QTY	REV
	1001172171	Boom Installation	Ref	A
1	3170000500	Boom Assembly	1	
2	7320000032	Lift Cylinder Assembly (See Separate Breakdown in CYLINDER Section)	2	
3	3691000161	Pin	2	
4	3691000162	Pin	2	
5	3691000163	Pin	1	
6	7950180161	Flatwasher, 0.50" ID	5	
7	7115180850	Capscrew, 0.50"-13NC x 1.00"	5	
8	7950180000	Lockwasher, 0.59" ID	5	

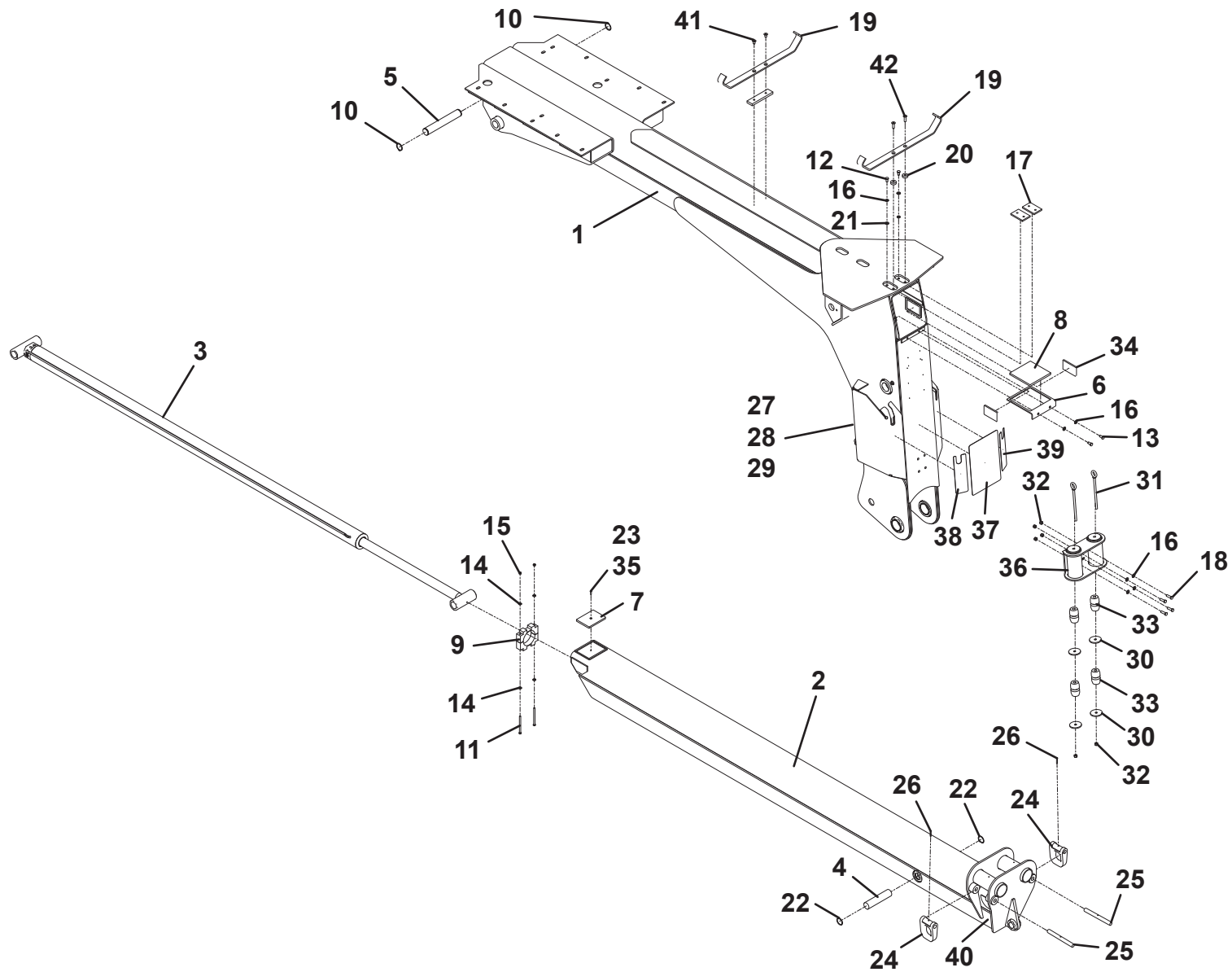
BOOM INSTALLATION



WRECKER BOOM ASSEMBLY

ITEM	PART NO.	DESCRIPTION	QTY	REV	ITEM	PART NO.	DESCRIPTION	QTY	REV
	1001172168	Wrecker Boom Assembly	Ref	A	38	1001151184	Decal	1	
1	3170000498	Base Section Boom Weldment	1		39	1001151185	Decal	1	
2	3170000148	Fly Section Boom Weldment	1		40	1001151805	Decal	2	
3	7320000031	Cylinder (See Separate Breakdown in CYLINDER Section)	1		41	7115180723	Capscrew, 0.50"-13NC x 0.88"	2	
4	4691000323	Pin	1		42	7115181423	Capscrew, 0.50"-13NC x 1.75"	2	
5	4691000208	Pin	1						
6	4706002435	Plate	1						
7	4679000163	Pad	1						
8	4679000162	Pad	1						
9	4177000033	Brace	2						
10	7754000048	Retaining Ring	2						
11	7115164450	Capscrew, 0.38"-16NC x 5.50"	2						
12	7115180750	Capscrew, 0.50"-13NC x 0.88"	2						
13	7115180850	Capscrew, 0.50"-13NC x 1.00"	2						
14	7950160251	Flatwasher, 0.38" ID	4						
15	7660161600	Locknut, 0.38"-16NC	2						
16	7950180153	Flatwasher, 0.50" ID	8						
17	4831000061	Spacer	2						
18	7115181450	Capscrew, 0.50"-13NC x 1.75"	4						
19	4062000746	Bar	2						
20	4831000064	Spacer	2						
21	7950180000	Lockwasher 0.59" ID	2						
22	7754000061	Snap Ring	2						
23	7114140818	Capscrew, 0.25"-20 x 1.00"	1						
24	4754000003	D-Ring	2						
25	4691000243	Pin	2						
26	7690142845	Pin	2						
27	7262000025	Chain	2						
28	7115201250	Capscrew, 0.63"-11NC x 1.50"	2						
29	7660202601	Locknut, 0.63"-11NC	2						
30	4831000115	Spacer	4						
31	7120000053	RingBolt 0.50"-13NC x 10.00"	2						
32	7660182601	Locknut, 0.50"-13NC	6						
33	7189000014	Spring	4						
34	4679000168	Pad	2						
35	7660142604	Locknut, 0.25"-20NC	1						
36	3178000581	Bracket	1						
37	1001151049	Decal	1						

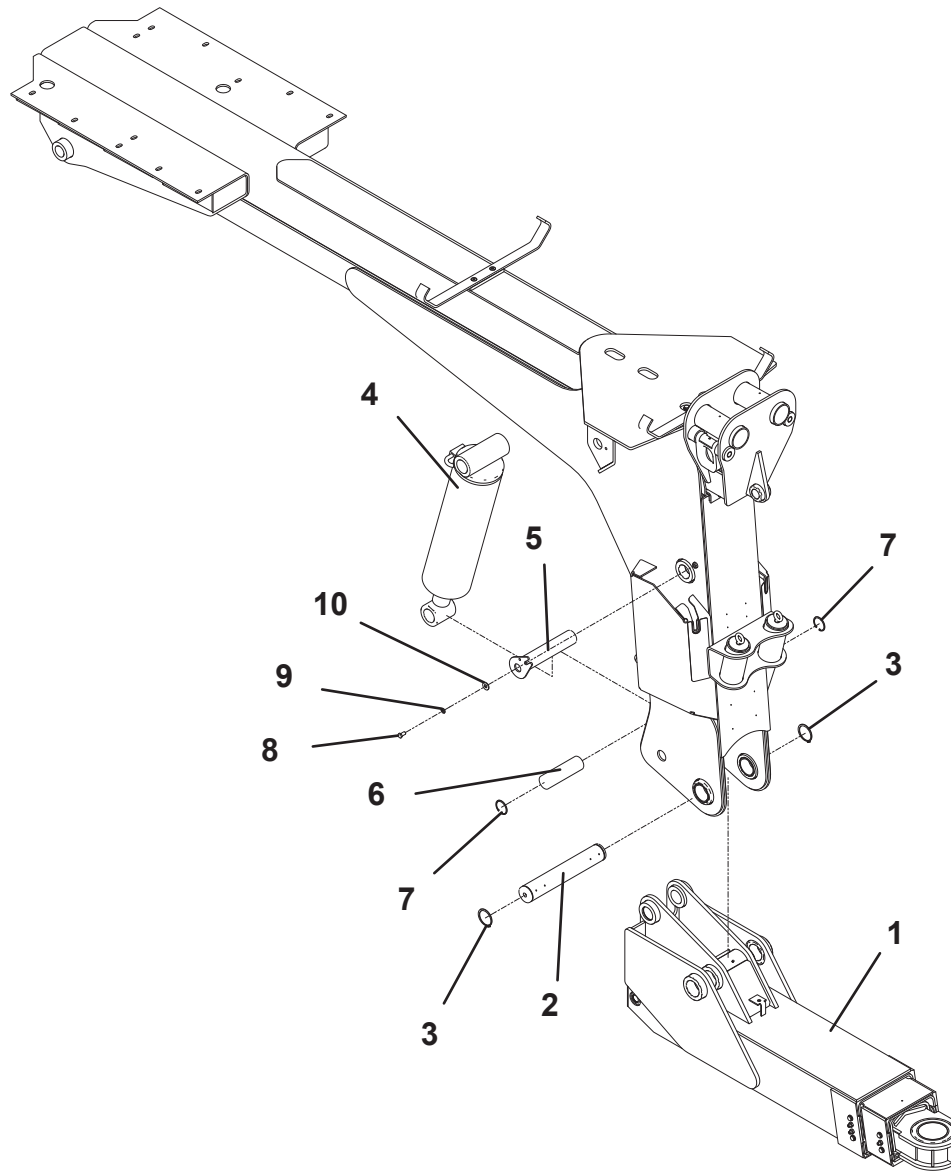
WRECKER BOOM ASSEMBLY



UNDERLIFT INSTALLATION

ITEM	PART NO.	DESCRIPTION	QTY	REV
	2506100008	Underlift Installation	Ref	G
1	3170000433	Underlift Assembly - 35,000 LB (See Separate Breakdown in this Section)	1	
	3170000220	Underlift Assembly - 30,000 LB (See Separate Breakdown in this Section)	1	
2	4691000311	Pin	1	
3	7754000018	Retaining Ring	2	
4	7320000098	Tilt Cylinder (See Separate Breakdown in CYLINDER Section)	1	
	7320000033	Tilt Cylinder (See Separate Breakdown in CYLINDER Section)	1	
5	3691000160	Pin	1	
6	4691000317	Pin	1	
7	7754000051	Retaining Ring	2	
8	7115180850	Capscrew, 0.50"-13NC x 1.00"	1	
9	7950180000	Lockwasher, 0.59" ID	1	
10	7950180161	Flatwasher, 0.50" ID	1	
11	7440030000	Grease Fitting	3	
12	7253000002	Grease Cap	5	

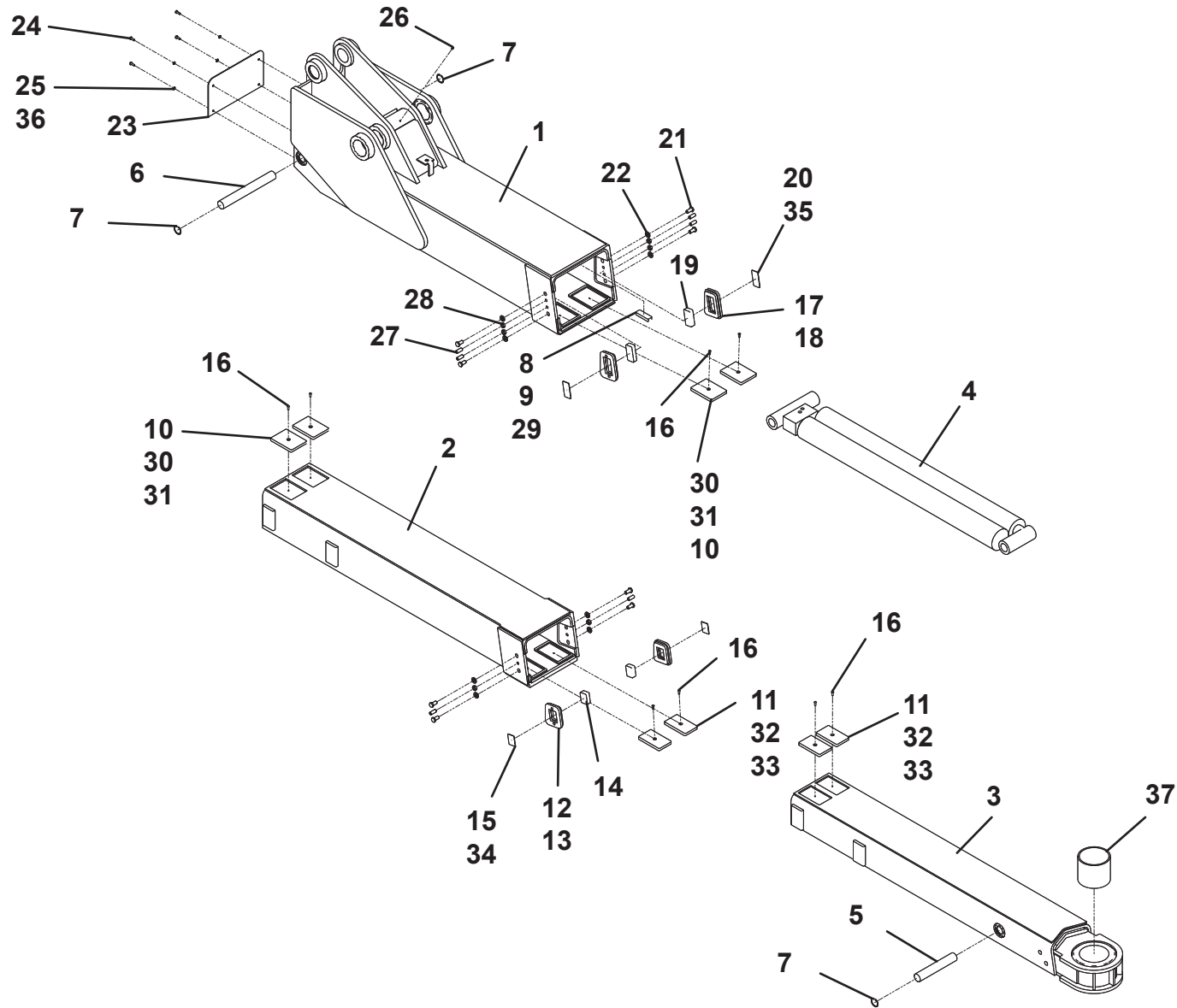
UNDERLIFT INSTALLATION



UNDERLIFT ASSEMBLY - 3170000220 - 35,000 LB (STANDARD)

ITEM	PART NO.	DESCRIPTION	QTY	REV	ITEM	PART NO.	DESCRIPTION	QTY	REV
	3170000220	Underlift Assembly - 35,000 LB (Standard)	Ref	E	36	7661000019	U-Nut, 0.25" - 20NC	4	
					37	7209000022	Bushing	1	
1	3170000224	Base Section Boom Weldment	1						
2	3170000223	Mid Section Boom Weldment	1						
3	3170000221	Fly Section Boom Weldment	1						
4	7320000042	Underlift Extension Cylinder (See Separate Breakdown in CYLINDER Section)	1						
5	4691000318	Pin	1						
6	4691000316	Pin	1						
7	7754000043	Snap Ring	4						
8	4679000159	Pad	2						
9	4706003708	Plate	2						
10	4679000161	Pad	4						
11	4679000158	Pad	4						
12	3706000177	Plate	1						
13	3706000178	Plate	1						
14	4679000206	Pad	2						
15	4706003144	Plate	2						
16	7114140418	Capscrew 0.25" - 20NC x 0.50"	8						
17	3706000179	Plate - LH	1						
18	3706000180	Plate - RH	1						
19	4679000205	Pad	2						
20	4706003719	Plate	2						
21	7105180850	Capscrew, 0.50"-20NF x 1.00"	8						
22	7950180153	Flatwasher, 0.50"	8						
23	4706002467	Plate	1						
24	7115140650	Capscrew, 0.25"-20NC x 0.75"	4						
25	7950140000	Lockwasher, 0.25" ID	4						
26	7440030000	Grease Fitting	1						
27	7786000008	Screw, 0.50"-20NF x 1.25"	6						
28	7660180230	Jambnut	6						
29	4706003709	Plate	4						
30	4706003721	Plate	4						
31	4706003722	Plate	4						
32	4706003723	Plate	4						
33	4706003724	Plate	4						
34	4706003725	Plate	2						
35	4706003720	Plate	2						

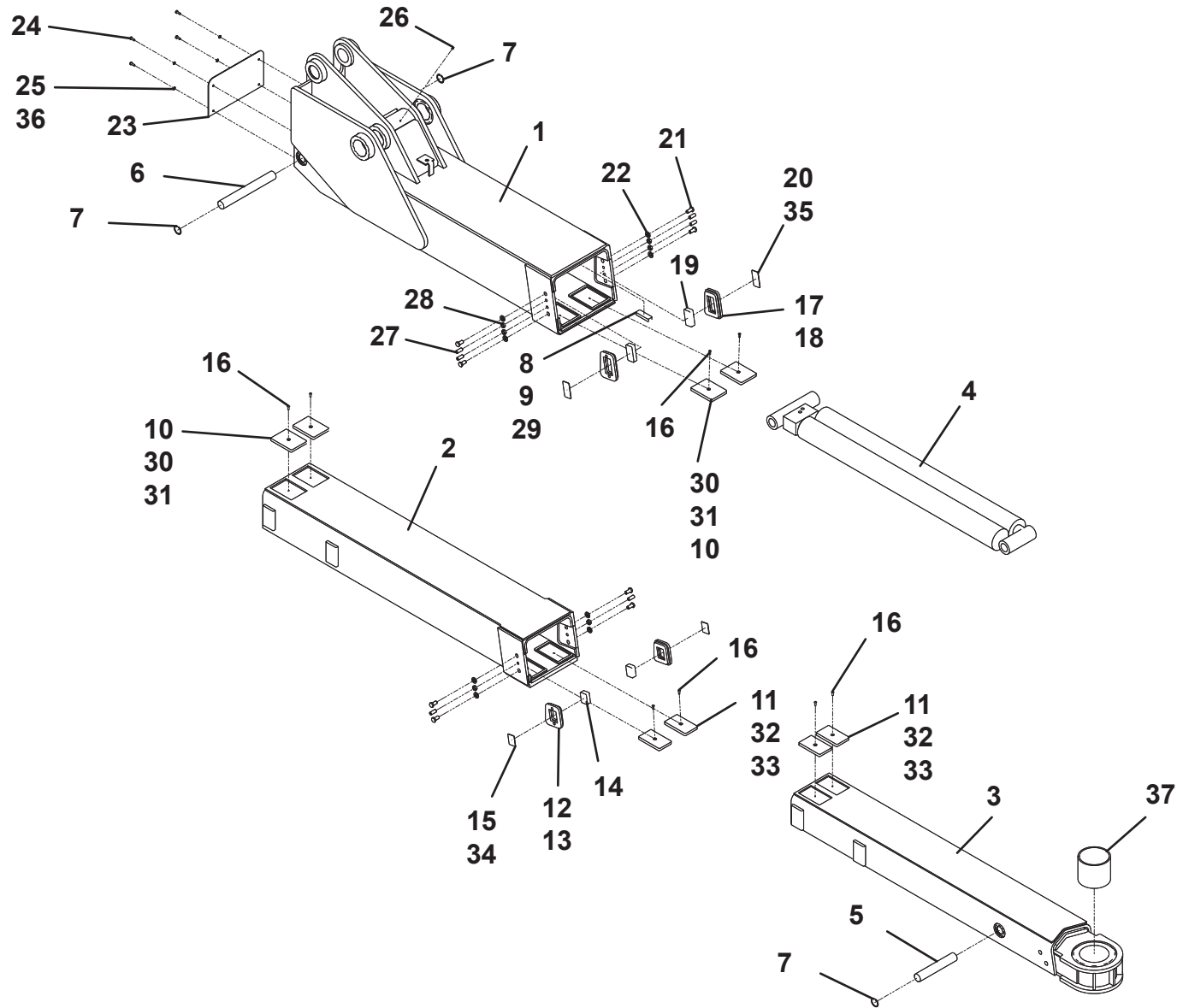
UNDERLIFT ASSEMBLY - 3170000220 - 35,000 LB (STANDARD)



UNDERLIFT ASSEMBLY - 3170000433 - 30,000 LB (OPTIONAL)

ITEM	PART NO.	DESCRIPTION	QTY	REV	ITEM	PART NO.	DESCRIPTION	QTY	REV
	3170000433	Underlift Assembly - 30,000 LB (Optional)	Ref	C	36	7661000019	U-Nut, 0.25" - 20NC	4	
1	3170000432	Base Section Boom Weldment	1		37	7209000022	Bushing	1	
2	3170000431	Mid Section Boom Weldment	1						
3	3170000430	Fly Section Boom Weldment	1						
4	7320000076	Underlift Extension Cylinder (See Separate Breakdown in CYLINDER Section)	1						
5	4691000318	Pin	1						
6	4691000316	Pin	1						
7	7754000043	Snap Ring	4						
8	4679000159	Pad	2						
9	4706003708	Plate	2						
10	4679000161	Pad	4						
11	4679000158	Pad	4						
12	3706000177	Plate	1						
13	3706000178	Plate	1						
14	4679000206	Pad	2						
15	4706003144	Plate	2						
16	7114140418	Capscrew 0.25" - 20NC x 0.50"	8						
17	3706000179	Plate - LH	1						
18	3706000180	Plate - RH	1						
19	4679000205	Pad	2						
20	4706003719	Plate	2						
21	7105180850	Capscrew, 0.50"-20NF x 1.00"	8						
22	7950180153	Flatwasher, 0.50"	8						
23	4706002467	Plate	1						
24	7115140650	Capscrew, 0.25"-20NC x 0.75"	4						
25	7950140000	Lockwasher, 0.25" ID	4						
26	7440030000	Grease Fitting	1						
27	7786000008	Screw, 0.50"-20NF x 1.25"	6						
28	7660180230	Jambnut	6						
29	4706003709	Plate	4						
30	4706003721	Plate	4						
31	4706003722	Plate	4						
32	4706003723	Plate	4						
33	4706003724	Plate	4						
34	4706003725	Plate	2						
35	4706003720	Plate	2						

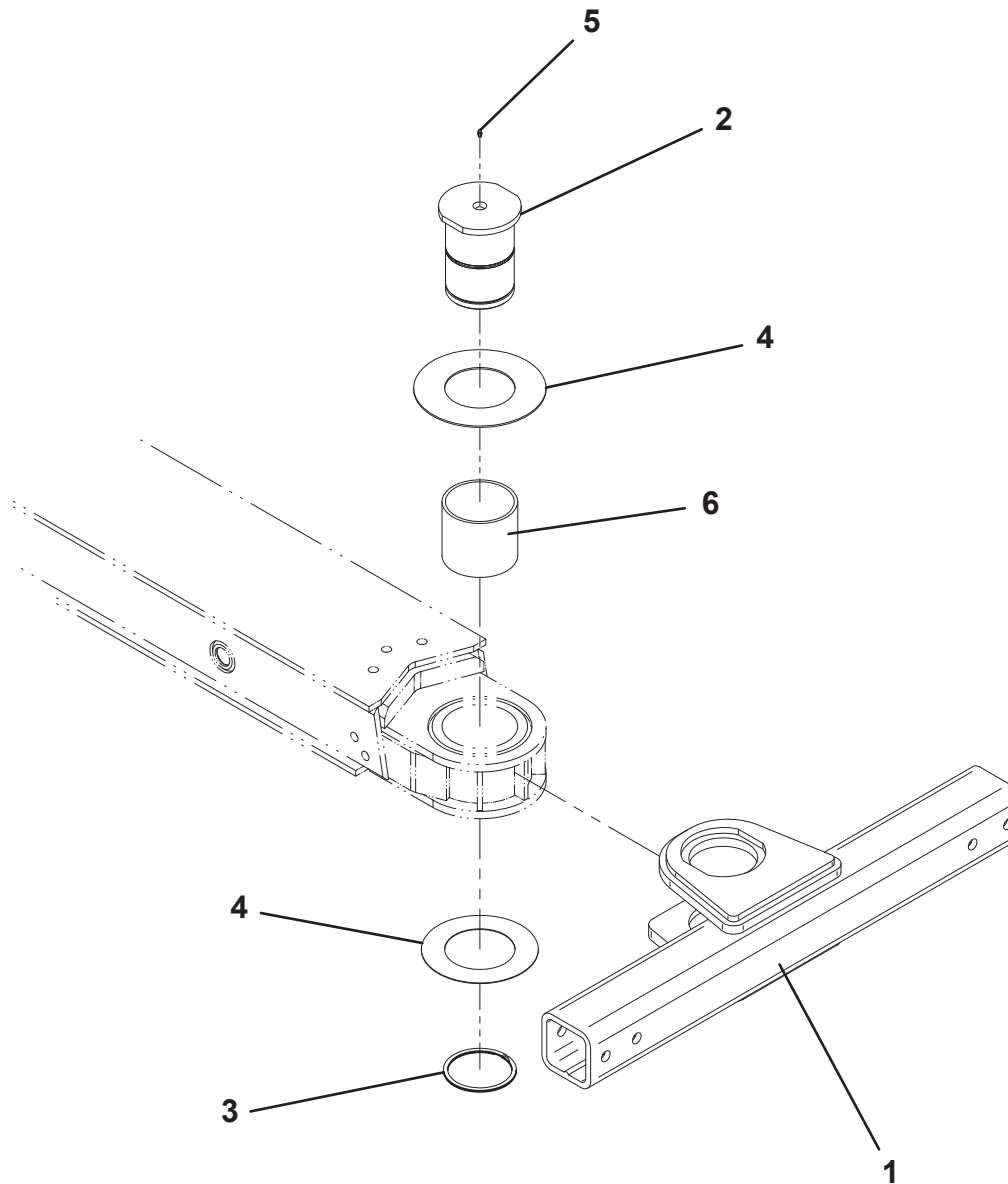
UNDERLIFT ASSEMBLY - 3170000433 - 30,000 LB (OPTIONAL)



CROSSTUBE INSTALLATION

ITEM	PART NO.	DESCRIPTION	QTY	REV
	2503880012	Crosstube Installation	Ref	A
1	3913000094	Crosstube	1	
2	4691000242	Pin	1	
3	7754000042	Retaining Ring	1	
4	3577000018	Shim	1	
5	7440030000	Grease Fitting	1	
6	7209000022	Bushing	1	

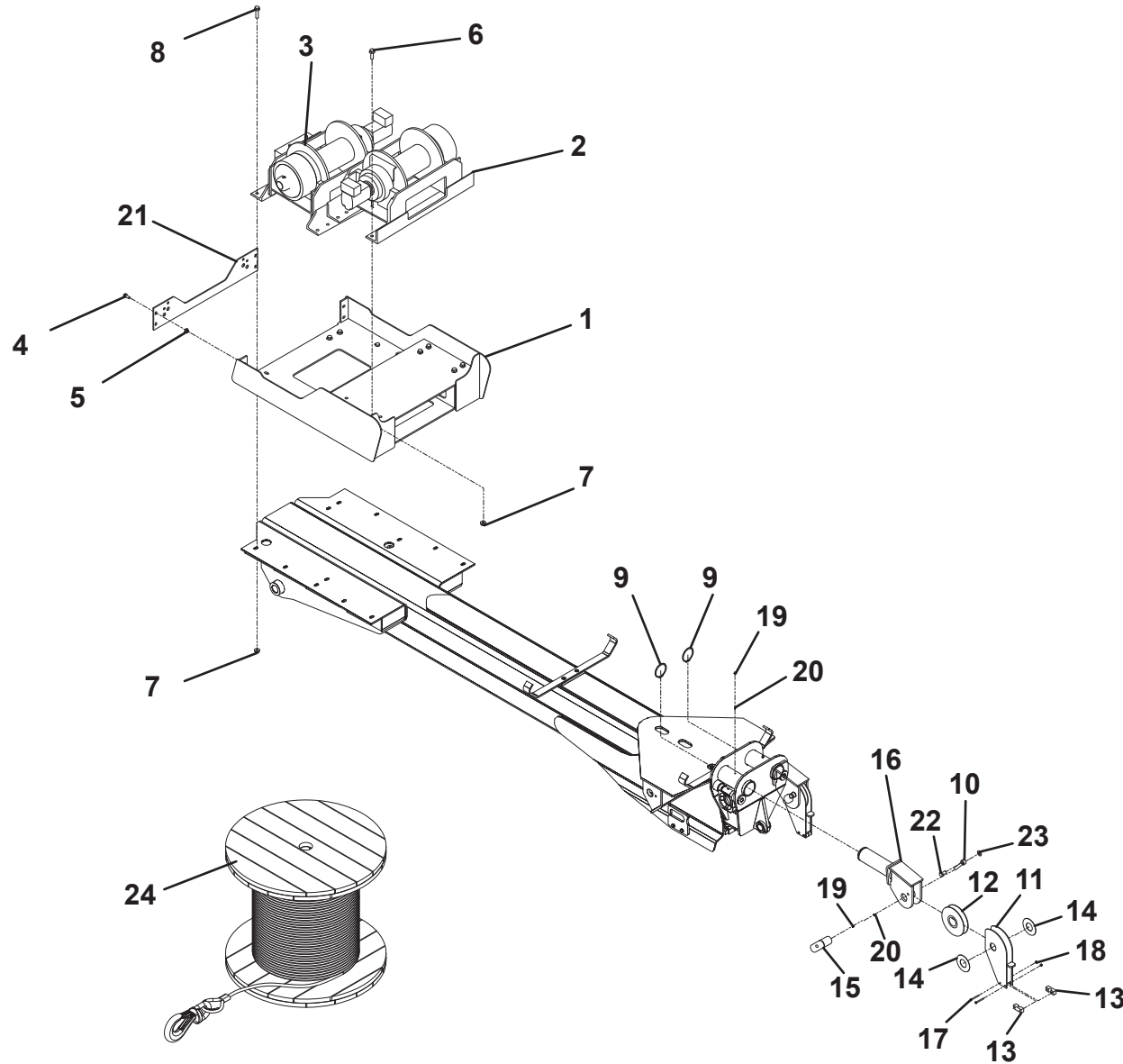
CROSTUBE INSTALLATION



WINCH INSTALLATION - 35K DP WINCHES (PRIOR TO S/N 0230004251)

ITEM	PART NO.	DESCRIPTION	QTY	REV
	2506900011	Winch Installation 35K DP Winches	Ref	J
1	3636000068	Bracket, Winch Mount (See Separate Breakdown in this Section)	1	
2	7970000067	Winch, DP 35K - RH (See Separate Breakdown in this Section)	1	
3	7970000066	Winch, DP 35K - LH	1	
4	7118181016	Capscrew, 0.50" - 13NC x 1.25"	4	
5	7660182301	Locknut, 0.50" - 13NC	4	
6	7118201616	Capscrew, 0.63" - 11NC x 2.00"	16	
7	7661000018	Nut, 0.63" - 11NC	22	
8	7118202016	Bolt, 0.63" - 11NC x 2.50"	6	
9	7754000049	Retaining Ring	2	
10	3841258	Rod	2	
11	3249000001	Cable Guide Weldment	2	
12	7809000019	Sheave	2	
13	4249000001	Cable Guide	4	
14	4949000031	Washer, 2.12" ID	4	
15	1001170037	Pin	2	
16	1001169609	Sheave Support Weldment	2	
17	7115142050	Capscrew, 0.25" - 20NC x 2.50"	4	
18	7660142601	Locknut, 0.25" - 20UNC	4	
19	7440030000	Grease Fitting	4	
20	7253000002	Grease Fitting Cap	4	
21	4706002417	Plate	1	
22	7115201050	Bolt, 0.63" - 11NC x 1.25"	2	
23	7950200141	Flatwasher, 0.63" ID	2	
24	7248000040	Cable, 0.63" x 200'	1	
	7248000078	Cable, 0.63" x 200', Swivel Hook		
	7248000037	Cable, 0.63" x 250'		
	7248000079	Cable, 0.63" x 250', Swivel Hook		
	7248000055	Cable, 0.75" x 200'		
	7248000080	Cable, 0.75" x 200', Swivel Hook		

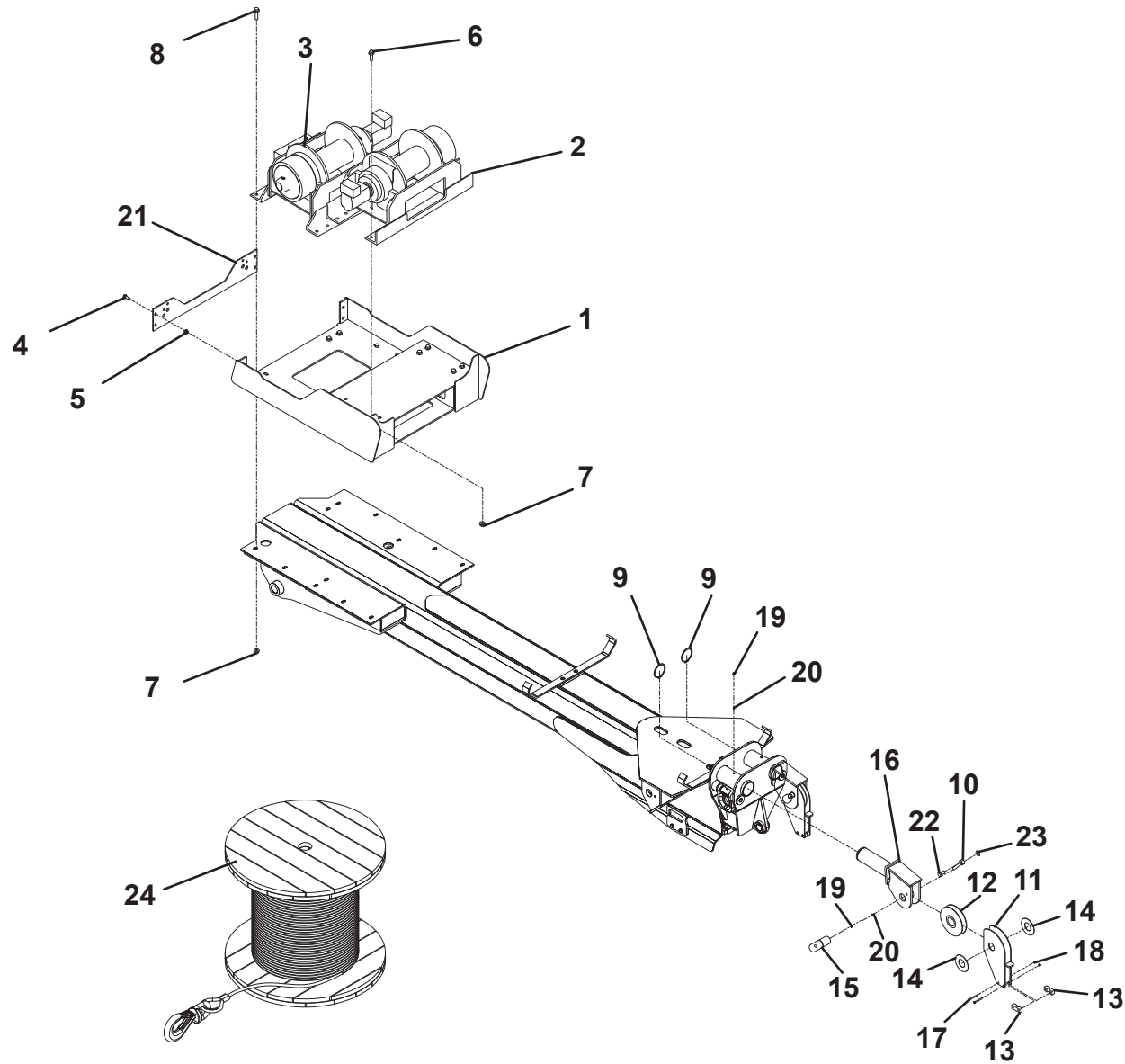
WINCH INSTALLATION - 35K DP WINCHES (PRIOR TO S/N 0230004251)



WINCH INSTALLATION - 25K DP WINCHES (PRIOR TO S/N 0230004251)

ITEM	PART NO.	DESCRIPTION	QTY	REV
	2503900079	Winch Installation 25K DP Winches	Ref	H
1	3636000068	Bracket, Winch Mount	1	
2	7970000050	Winch, DP 25K - RH (See Separate Breakdown in this Section)	1	
3	7970000049	Winch, DP 25K - LH (See Separate Breakdown in this Section)	1	
4	7118181016	Capscrew, 0.50" - 13NC x 1.25"	4	
5	7660182301	Locknut, 0.50" - 13NC	4	
6	7118201616	Capscrew, 0.63" - 11NC x 2.00"	16	
7	7661000018	Nut, 0.63" - 11NC	22	
8	7118202016	Bolt, 0.63" - 11NC x 2.50"	6	
9	7754000049	Retaining Ring	2	
10	3841258	Rod	2	
11	3249000001	Cable Guide Weldment	2	
12	7809000019	Sheave	2	
13	4249000001	Cable Guide	4	
14	4949000031	Washer, 2.12" ID	4	
15	1001170037	Pin	2	
16	1001169609	Sheave Support Weldment	2	
17	7115142050	Capscrew, 0.25" - 20NC x 2.50"	4	
18	7660142601	Locknut, 0.25" - 20UNC	4	
19	7440030000	Grease Fitting	4	
20	7253000002	Grease Fitting Cap	4	
21	4706002417	Plate	1	
22	7115201050	Bolt, 0.63" - 11NC x 1.25"	2	
23	7950200141	Flatwasher, 0.63" ID	2	
24	7248000040	Cable, 0.63" x 200'	1	
	7248000078	Cable, 0.63" x 200', Swivel Hook		
	7248000037	Cable, 0.63" x 250'		
	7248000079	Cable, 0.63" x 250', Swivel Hook		
	7248000055	Cable, 0.75" x 200'		
	7248000080	Cable, 0.75" x 200', Swivel Hook		

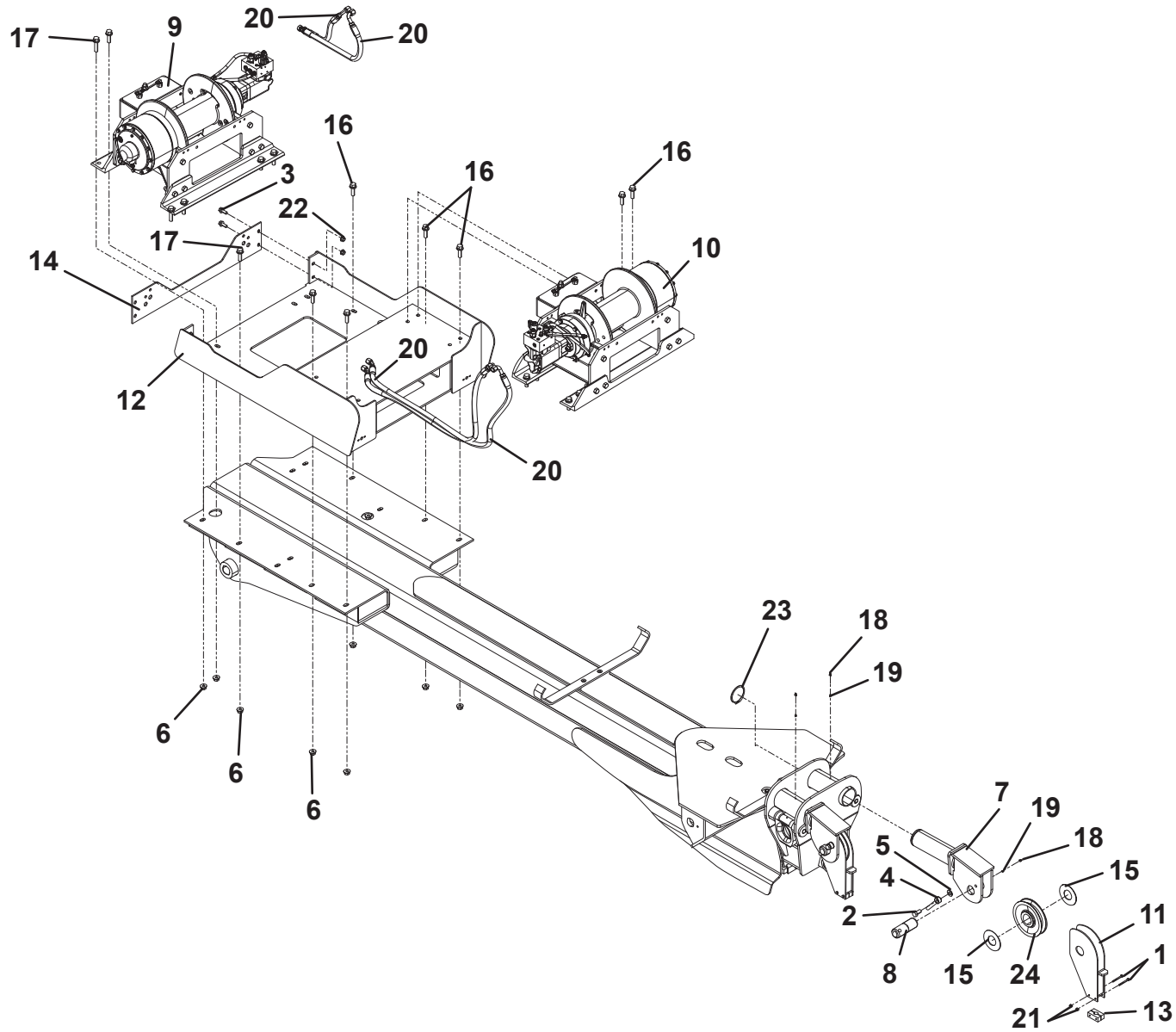
WINCH INSTALLATION - 25K DP WINCHES (PRIOR TO S/N 0230004251)



WINCH INSTALLATION - 35K DP WINCHES (S/N 0230004251 TO PRESENT)

ITEM	PART NO.	DESCRIPTION	QTY	REV
	1001207357	Winch Installation 35K DP Winches	Ref	B
1	0641420	Capscrew, 0.25"-20 X 2.50"	4	
2	0642010	Capscrew, 0.63"-11 X 1.25"	2	
3	811810	Screw, 0.50"-13 X 1.25"	4	
4	3841258	Keeper	2	
5	4712000	Washer, 0.63" ID	2	
6	7661000018	Nut, 0.63"-11NC	22	
7	1001169609	Sheave Support	2	
8	1001170037	Pin	2	
9	1001210256	Winch, 35K Planetary LH Front (See Separate Breakdown in this Section)	1	
10	1001210257	Winch, 35K Planetary RH Rear (See Separate Breakdown in this Section)	1	
11	3249000001	Cable Guide	2	
12	3636000068	Winch Mount	1	
13	4249000001	Cable Guide	4	
14	4706002417	Plate	1	
15	4949000031	Washer, 2.12" ID	4	
16	7118201616	Capscrew, 0.63"-11NC X 2.00"	16	
17	7118202016	Bolt, 0.63"-11NC X 2.50"	6	
18	7253000002	Grease Fitting Cap	4	
19	7440030000	Grease Fitting	4	
20	1001219190	Hose Kit	1	
21	7660142601	Locknut, 0.25" -20NC	4	
22	7660182301	Locknut, 0.50"-13NC	4	
23	7754000049	Retaining Ring	2	
24	7809000019	Sheave, for 0.63" Wire rope	2	

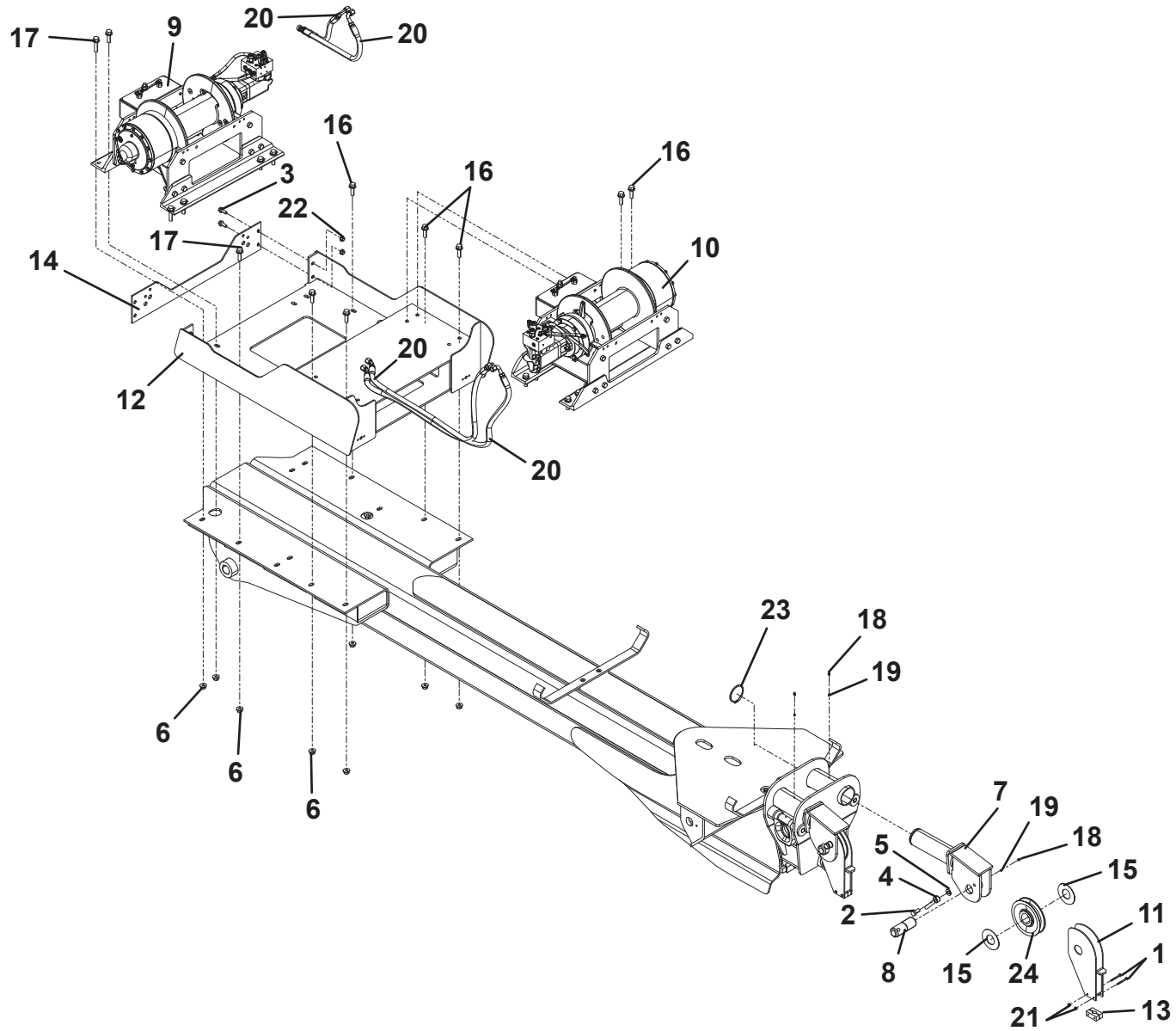
WINCH INSTALLATION - 35K DP WINCHES (S/N 0230004251 TO PRESENT)



WINCH INSTALLATION - 35K DP WINCHES (S/N 0230004251 TO PRESENT)

ITEM	PART NO.	DESCRIPTION	QTY	REV
	1001207358	Winch Installation 35K DP Winches	Ref	B
1	0641420	Capscrew, 0.25"-20 X 2.50"	4	
2	0641808	Capscrew, 0.50"-13 X 1.00"	2	
3	811810	Screw, 0.50"-13 X 1.25"	4	
4	3841258	Keeper	2	
5	3841203	Washer, 0.63" ID	2	
6	7661000018	Nut, 0.63"-11NC	22	
7	1001169616	Sheave Support	2	
8	1001169893	Pin	2	
9	1001210256	Winch, 35K Planetary LH Front (See Separate Breakdown in this Section)	1	
10	1001210257	Winch, 35K Planetary RH Rear (See Separate Breakdown in this Section)	1	
11	3249000012	Cable Guide	2	
12	3636000068	Winch Mount	1	
13	4249000002	Cable Guide	4	
14	4706002417	Plate	1	
15	4949000045	Washer, 1.53" ID	4	
16	7118201616	Capscrew, 0.63"-11NC X 2.00"	16	
17	7118202016	Bolt, 0.63"-11NC X 2.50"	6	
18	7253000002	Grease Fitting Cap	4	
19	7440030000	Grease Fitting	4	
20	1001219190	Hose Kit	1	
21	7660142601	Locknut, 0.25" -20NC	4	
22	7660182301	Locknut, 0.50"-13NC	4	
23	7754000049	Retaining Ring	2	
24	7809000006	Sheave, for 0.75" Wire rope	2	

WINCH INSTALLATION - 35K DP WINCHES (S/N 0230004251 TO PRESENT)

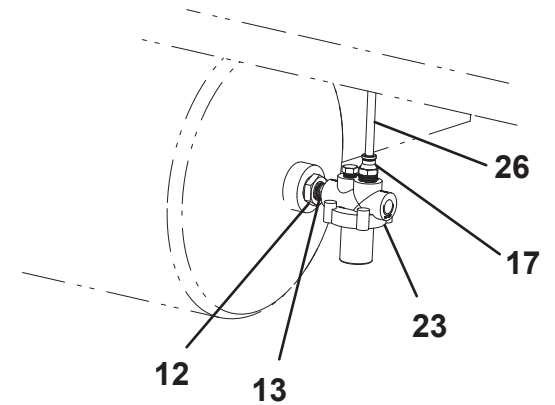
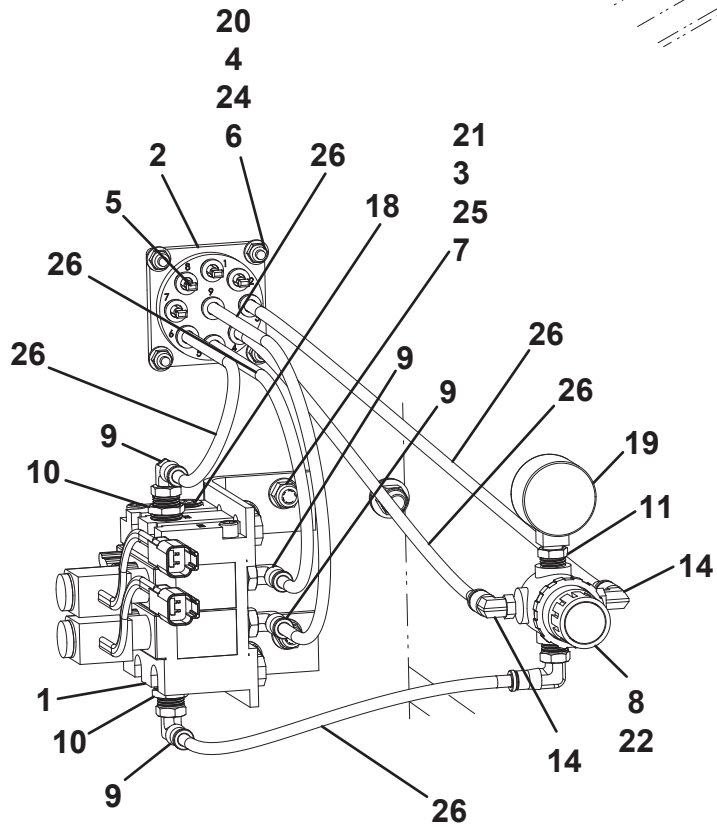
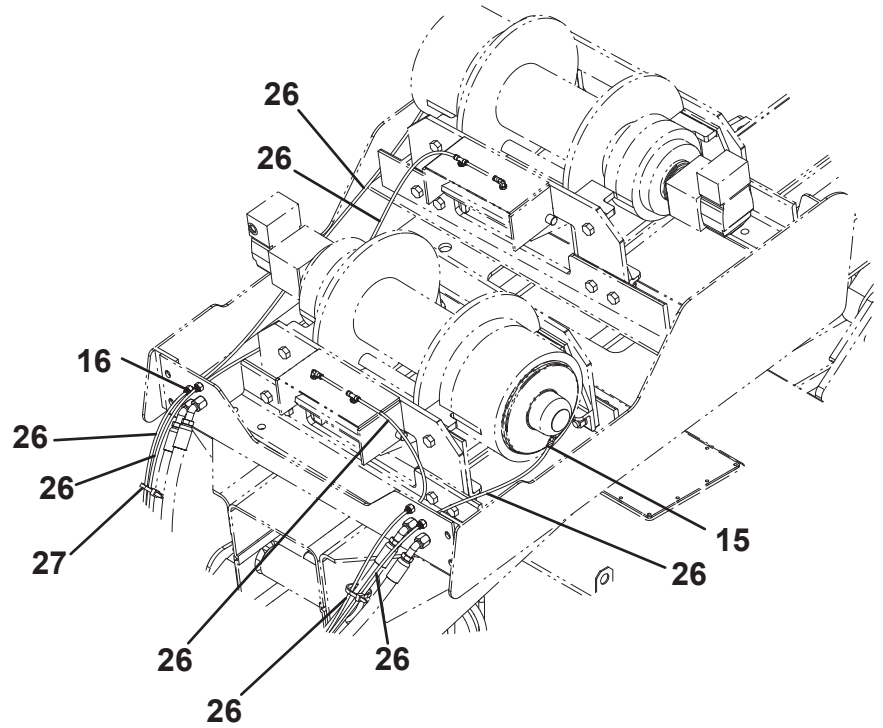
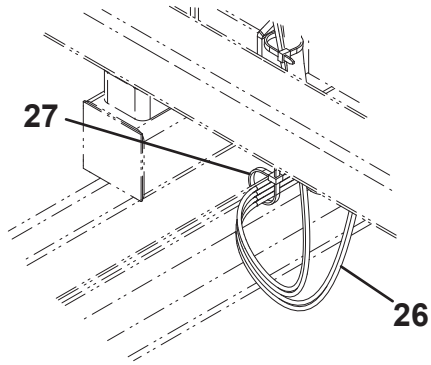


WINCH AIR INSTALLATION

ITEM	PART NO.	DESCRIPTION	QTY	REV
	1001197456	Winch Air Installation	Ref	B
1	1001129800	Valve, Air Section	1	
2	1001184765	Terminal	1	
3	1001197482	Washer, 0.31" ID	4	
4	1001197483	Washer, #10	4	
5	1001197506	Seal	4	
6	7114100818	Screw, #10-24 x 1.00"	4	
7	7114150850	Capscrew, 0.31"-18NC x 1.00"	4	
8	7295000029	Air Regulator	1	
9	7443000139	Fitting	5	
10	7443000148	Bushing	2	
11	7443000149	Bushing	1	
12	7443000154	Bushing	1	
13	7443000156	Fitting	1	
14	7443000173	Fitting	2	
15	7443000176	Elbow	2	
16	7443000178	Union	4	
17	7443000329	Fitting	1	
18	7444030037	Plug	1	
19	7470000006	Air Pressure Gauge	1	
20	7660102601	Nut, #10-24NC	4	
21	7660152601	Locknut, 0.31"-18NC	4	
22	7661000041	Nut	1	
23	7935000120	Valve	1	
24	7950100143	Flatwasher, 0.19" ID	8	
25	7950140143	Flatwasher, 0.25" ID	8	
26	7565000016	Air Tubing	125FT	
27	7894000004	Tie Strap	35	

WINCH AIR INSTALLATION

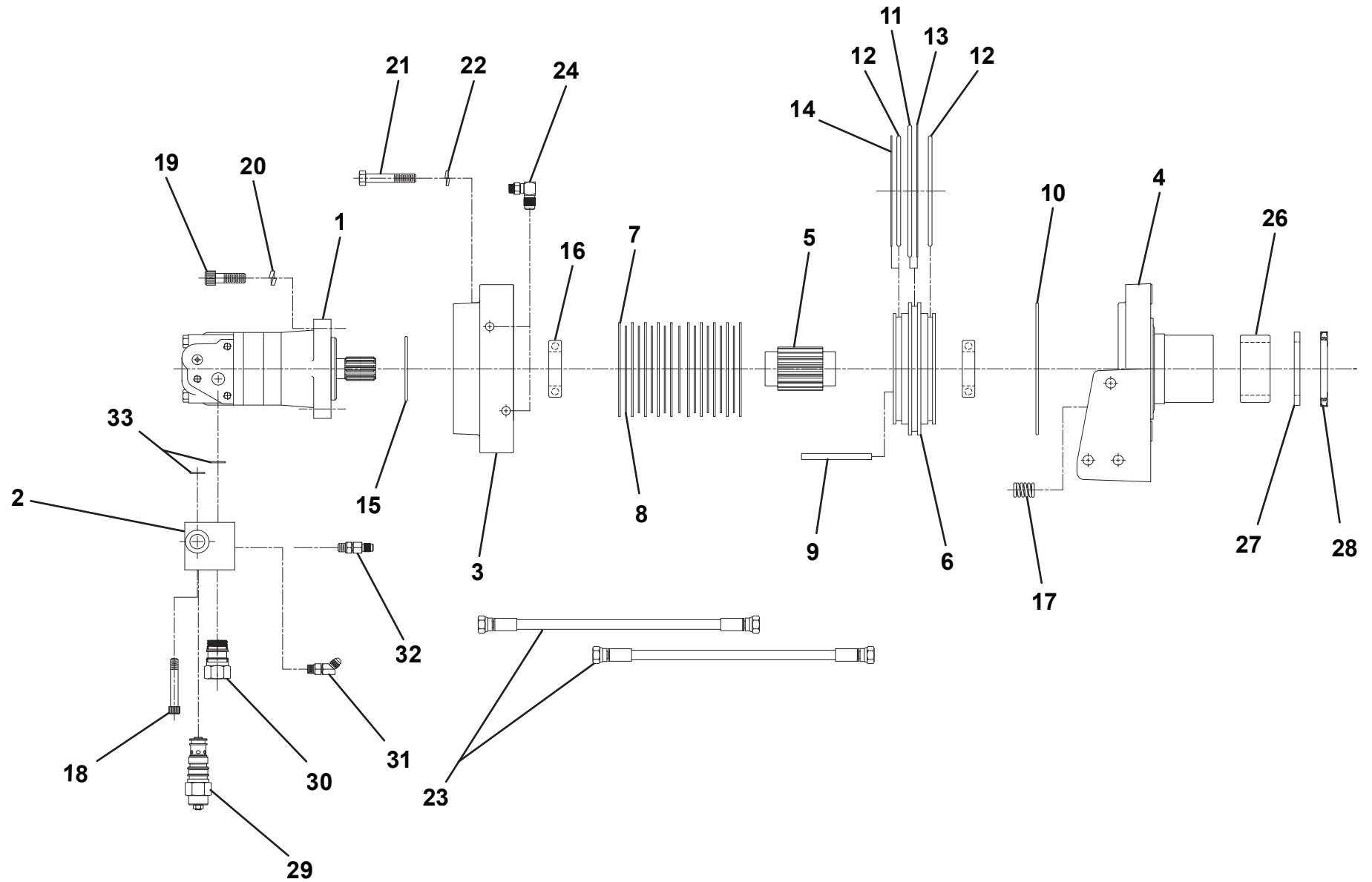
AIR BULKHEAD PORTS	
PORT 1	FRONT WINCH 2-SPD
PORT 2	DRAG WINCH TENSIONER
PORT 3	FRONT WINCH TENSIONER
PORT 4	REAR WINCH TENSIONER
PORT 5	FRONT WINCH FREESPOOL
PORT 6	SUPPLY
PORT 7	REAR WINCH 2-SPD
PORT 8	DRAG WINCH FREESPOOL
PORT 9	REAR WINCH FREESPOOL



DP WINCH 25K - 797000049 - (PRIOR TO S/N 0230004251)

ITEM	PART NO.	DESCRIPTION	QTY	REV	ITEM	PART NO.	DESCRIPTION	QTY	REV
		Motor End Assembly	Ref		29	9935960026	Cartridge - Counterbalance	1	
1	9626960013	Motor - Hydraulic	1		30	9701960013	Plug - Assembly - Valve - Counterbalance	1	
2	9935960027	Valve - Counterbalance	1		31	7445040446	Fitting, Swivel Adapter 45 Degree	1	
3	9571960006	Brake - Housing	1		32	9443960006	Fitting, Straight Adapter	1	
4	9177960004	Support - Motor End	1		33	9796960088	O-Ring - 0.81" I. x 0.09" Section	2	
5	9806960019	Shaft - Brake	1						
6	9698960008	Piston - Brake	1						
7	NSS	Plate - Disc - Friction (Sold Only in Kit#9577960139)	10						
8	NSS	Plate - Drive - Brake (Sold Only in Kit #9577960139)	9						
9	9691960021	Pin - Dowel - 0.31" Dia. x 3.50"	2						
10	NSS	O-Ring - 7.00" OD x 6.75" ID (Sold Only in Kit #9577960120)	1						
11	NSS	O-Ring - 6.84" OD x 6.50" ID (Sold Only in Kit #9577960120)	1						
12	NSS	O-Ring - 5.38" OD x 5.00" ID (Sold Only in Kit #9577960120)	2						
13	NSS	Ring - Back-Up - 6.25" ID (Sold Only in Kit #9577960120)	1						
14	NSS	Ring - Back-Up - 5.278" ID (Sold Only in Kit #9577960120)	1						
15	9796960090	O-Ring - 3.00" OD x 2.75" ID	1						
16	9082960013	Ball - Bearing - 1.75" I.D.	2						
17	NSS	Spring - Compression 0.75" (Sold Only in Kit (577960139)	12						
18	7118162005	Capscrew, 0.38"-16NC x 2.50"	3						
19	7118181205	Capscrew, 0.50"-13NC x 1.50" Socket Head GR 8	2						
20	7950180800	Lockwasher, 0.50" ID	2						
21	7118172050	Capscrew, 0.44"-14NC x 2.50" GR 8	6						
22	7950170000	Lockwasher, 0.44" ID	6						
23	9570960001	Hose, 0.25 DIA	2						
24	7445040445	Fitting, Swivel Adapter 90 Degree	2						
25	70050401	Tag - Warning (Not Shown)	1						
26	9082960018	Bearing - Roller - Torrington	1						
27	9949960028	Washer - Thrust - Nylon - 3.81 x .406	1						
28	9796960121	Seal - Shaft - 3.12" ID x 4" OD x 0.38 Thick	1						

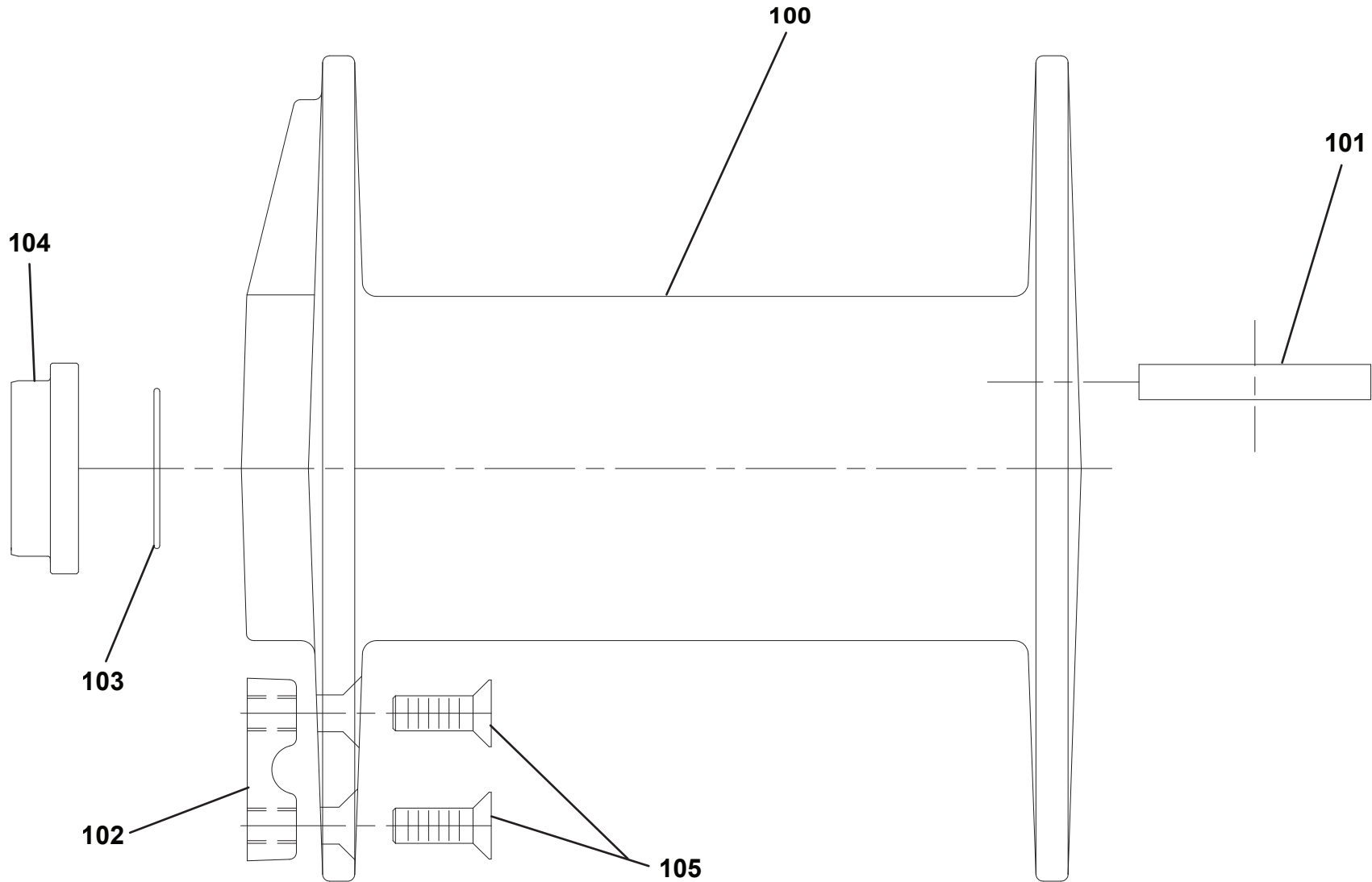
DP WINCH 25K - 7970000049 - (PRIOR TO S/N 0230004251)



DP WINCH 25K - 7970000049 - (PRIOR TO S/N 0230004251)

ITEM	PART NO.	DESCRIPTION	QTY	REV
		Drum Assembly	Ref	
100	9970960020	Drum	1	
101	9575960012	Key - Drum	2	
102	9280960002	Clip - Cable	1	
103	9796960089	O-Ring	1	
104	9831960018	Spacer	1	
105	7110201423	Capscrew, 0.63"-11NC X 1.75"	2	

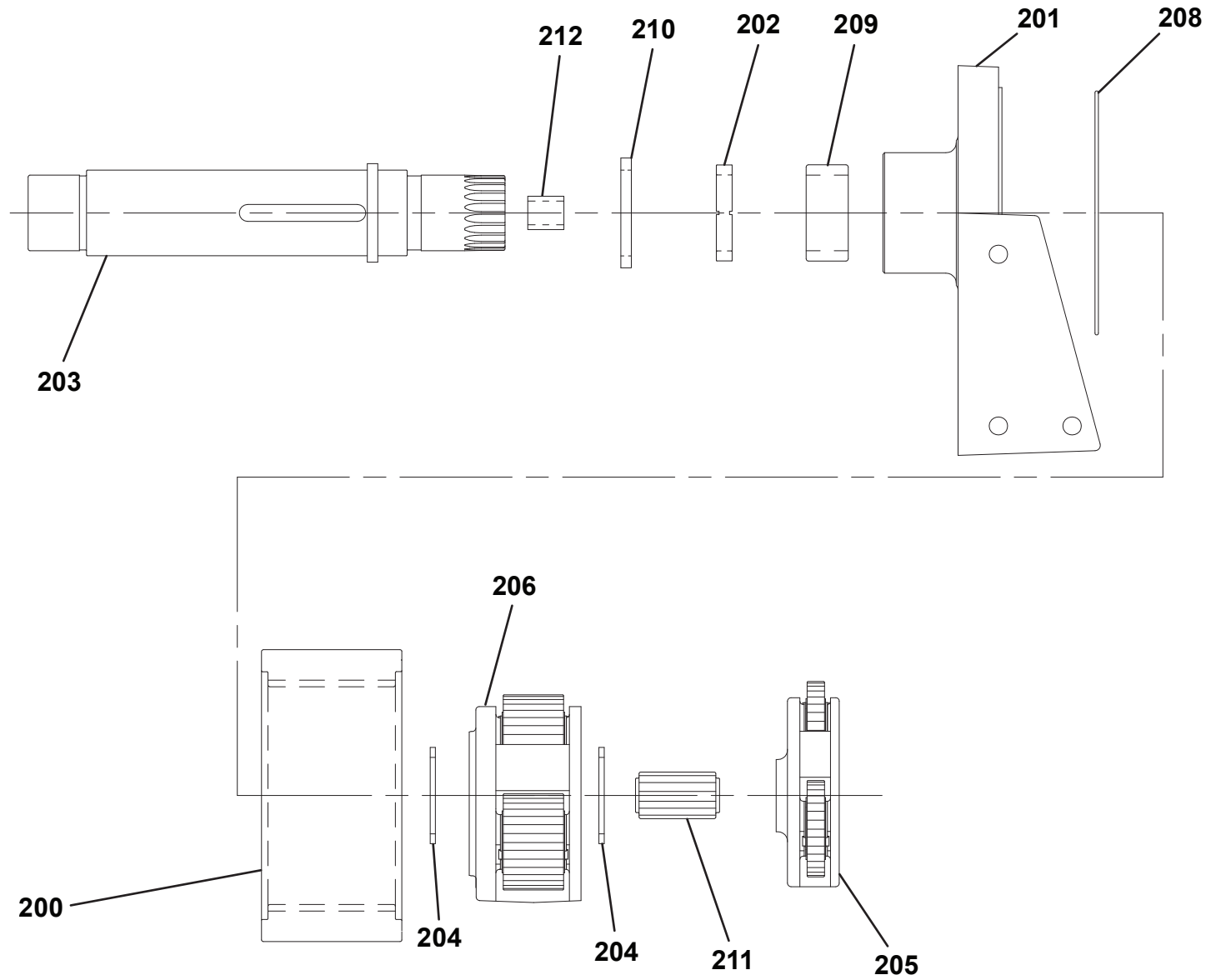
DP WINCH 25K - 7970000049 - (PRIOR TO S/N 0230004251)



DP WINCH 25K - 7970000049 - (PRIOR TO S/N 0230004251)

ITEM	PART NO.	DESCRIPTION	QTY	REV
		Gear End Assembly	Ref	
200	70050991	Gear - Ring	1	
201	9177960003	Support - Gear End	1	
202	9949960028	Washer - Thrust - Nylon - 3.81 x .406	1	
203	9806960021	Shaft - Output	1	
204	9949960027	Washer - Thrust- Nylon - 3.50" O.D. x 0.18"	2	
205	9472960052	Assembly - Carrier - Planetary - Primary	1	
206	70050992	Carrier - Assembly - Secondary	1	
207	9330960006	Label - Warning (Not Shown)	1	
208	9796960120	O-Ring - 8.75" I.D. x .012" Section	1	
209	9082960018	Bearing - Roller - Torrington	1	
210	9796960121	Seal - Shaft - 3.12" ID x 4" OD x 0.38 Thick	1	
211	70050993	Gear - Sun - 15 Teeth	1	
212	9209960025	Bushing - 1.00" I.D. x 1.25" OD x 1.00" LG	1	

DP WINCH 25K - 7970000049 - (PRIOR TO S/N 0230004251)

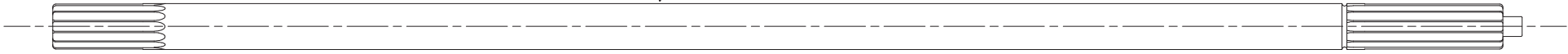


DP WINCH 25K - 7970000049 - (PRIOR TO S/N 0230004251)

ITEM	PART NO.	DESCRIPTION	QTY	REV
300	70050994	Input Shaft Assembly Input - Shaft	Ref 1	

DP WINCH 25K - 7970000049 - (PRIOR TO S/N 0230004251)

300



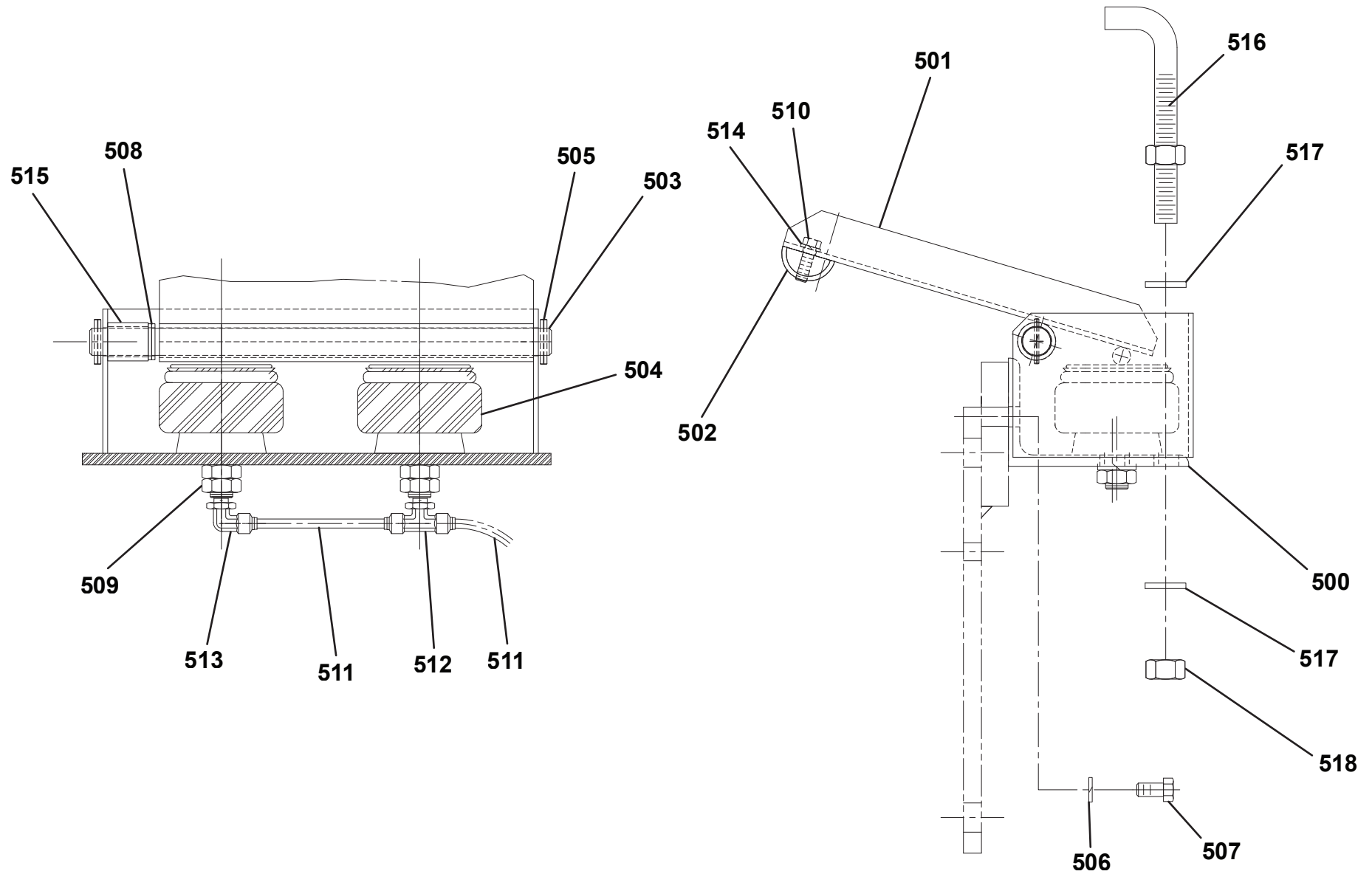
DP WINCH 25K - 7970000049 - (PRIOR TO S/N 0230004251)

ITEM	PART NO.	DESCRIPTION	QTY	REV
		Base Mount Assembly	Ref	
400	9073960003	Base Mount	2	
401	7115201850	Capscrew 0.63"-11NC x 2.25"	4	
102	7660200001	Nut .63"-11NC	12	
403	7950200000	Lockwasher .63"	12	
404	70050147	Rivet	4	
405	70050384	Plate	1	
406	70050398	Kit - Cable Hold Down	1	
407	9073960004	Base Mount	2	
408	7115202250	Capscrew, 0.63"-11NC x 2.75"	8	

DP WINCH 25K - 7970000049 - (PRIOR TO S/N 0230004251)

ITEM	PART NO.	DESCRIPTION	QTY	REV
		Cable Hold Down Assembly	Ref	
500	9178960011	Bracket - Mounting	1	
501	9020960002	Arm - Pivot	1	
502	9064960007	Bar - Rub - 1.50" - Half Round	1	
503	9691960019	Pin, Pivot	1	
504	9843960023	Spring - Cushion - Air - Goodyear	2	
505	9690960039	Pin, Cotter 0.19" x 1.50"	2	
506	7950180000	Lockwasher, 0.59" ID Nom Reg	2	
507	7115181650	Capscrew, 0.50"-13NC x 2.00"	2	
508	9949960012	Washer - Thrust	2	
509	7660200200	Nut, 0.63'-11NC Hex Jam	4	
510	9120960063	Capscrew, 0.31"-18NC x 1.00"	2	
511	9912960010	Tubing - Nylon - 0.25" OD	3	
512	7443000205	Adapter - Tee - Branch	3	
513	7443000204	Adapter - 90 Degree	1	
514	9949960050	Lockwasher, 0.31" ID	2	
515	9831960009	Spacer - Pin - 1.12"	1	
516	9120960019	Bolt - Anchor	1	
517	7950200151	Flatwasher, 0.63" ID	2	
518	7660200001	Nut .63"-11NC GR5 Hex - Plated	1	

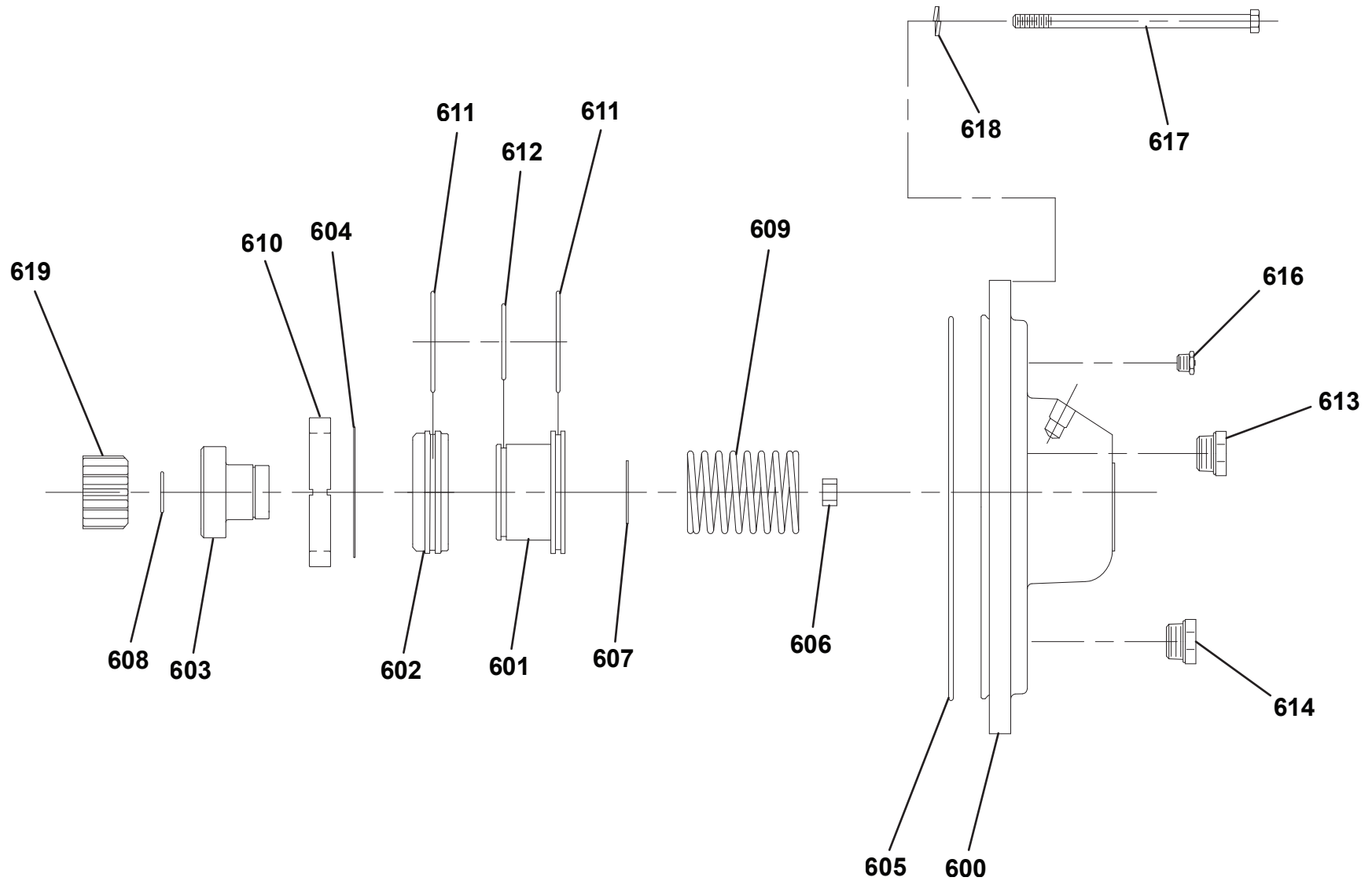
DP WINCH 25K - 7970000049 - (PRIOR TO S/N 0230004251)



DP WINCH 25K - 7970000049 - (PRIOR TO S/N 0230004251)

ITEM	PART NO.	DESCRIPTION	QTY	REV
		Gear End Cover Assembly	Ref	
600	9314960022	Cover	1	
601	9698960016	Piston	1	
602	9698960015	Piston	1	
603	9309960011	Coupling	1	
604	9754960026	Retaining Ring	1	
605	9796960120	O-Ring	1	
606	9209960026	Bushing	1	
607	9754960046	Retaining Ring	1	
608	9754960047	Retaining Ring	1	
609	9843960032	Spring	1	
610	9949960028	Washer	1	
611	9796960119	O-Ring	2	
612	9796960118	O-Ring	1	
613	9701960011	Plug	1	
613	70050998	O-Ring	1	
614	9701960012	Plug	1	
614	70050998	O-Ring	1	
615	9701960018	Plug (Not Shown)	1	
616	9183960001	Vent	1	
617	70050995	Capscrew, 0.38"-16NC x 5.50"	12	
618	7950160000	Lockwasher 0.38" ID	12	
619	9472960054	Gear	1	

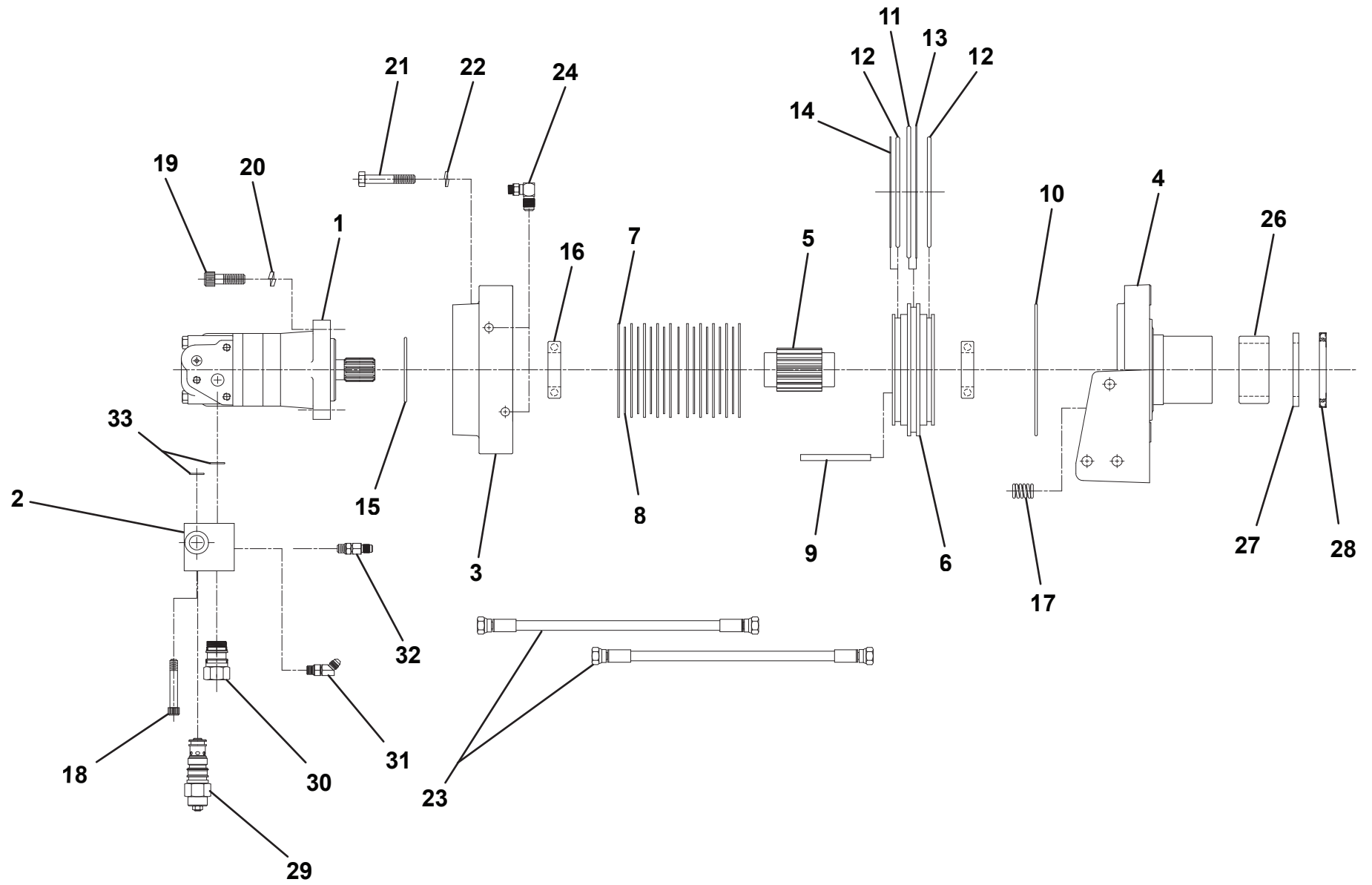
DP WINCH 25K - 7970000049 - (PRIOR TO S/N 0230004251)



DP WINCH 25K - 7970000050 - (PRIOR TO S/N 0230004251)

ITEM	PART NO.	DESCRIPTION	QTY	REV	ITEM	PART NO.	DESCRIPTION	QTY	REV
		Motor End Assembly	Ref		29	9935960026	Cartridge - Counterbalance	1	
1	9626960013	Motor - Hydraulic	1		30	9701960013	Plug - Assembly - Valve - Counterbalance	1	
2	9935960027	Valve - Counterbalance	1		31	7445040446	Fitting, Swivel Adapter 45 Degree	1	
3	9571960006	Brake - Housing	1		32	9443960006	Fitting, Straight Adapter	1	
4	9177960004	Support - Motor End	1		33	9796960088	O-Ring - 0.81" I. x 0.09" Section	2	
5	9806960019	Shaft - Brake	1						
6	9698960008	Piston - Brake	1						
7	NSS	Plate - Disc - Friction (Sold Only in Kit #9577960139)	10						
8	NSS	Plate - Drive - Brake (Sold Only in Kit #9577960139)	9						
9	9691960021	Pin - Dowel - 0.31" Dia. x 3.50"	2						
10	NSS	O-Ring - 7.00" OD x 6.75" ID (Sold Only in Kit #9577960120)	1						
11	NSS	O-Ring - 6.84" OD x 6.50" ID (Sold Only in Kit #9577960120)	1						
12	NSS	O-Ring - 5.38" OD x 5.00" ID (Sold Only in Kit #9577960120)	2						
13	NSS	Ring - Back-Up - 6.25" ID (Sold Only in Kit #9577960120)	1						
14	NSS	Ring - Back-Up - 5.278" ID (Sold Only in Kit #9577960120)	1						
15	9796960090	O-Ring - 3.00" OD x 2.75" ID	1						
16	9082960013	Ball - Bearing - 1.75" I.D.	2						
17	NSS	Spring - Compression 0.75" (Sold Only in Kit (577960139)	12						
18	7118162005	Capscrew, 0.38"-16NC x 2.50"	3						
19	7118181205	Capscrew, 0.50"-13NC x 1.50" Socket Head GR 8	2						
20	7950180800	Lockwasher, 0.50" ID	2						
21	7118172050	Capscrew, 0.44"-14NC x 2.50" GR 8	6						
22	7950170000	Lockwasher, 0.44" ID	6						
23	9570960001	Hose, 0.25 DIA	2						
24	7445040445	Fitting, Swivel Adapter 90 Degree	2						
25	70050401	Tag - Warning (Not Shown)	1						
26	9082960018	Bearing - Roller - Torrington	1						
27	9949960028	Washer - Thrust - Nylon - 3.81 x .406	1						
28	9796960121	Seal - Shaft - 3.12" ID x 4" OD x 0.38 Thick	1						

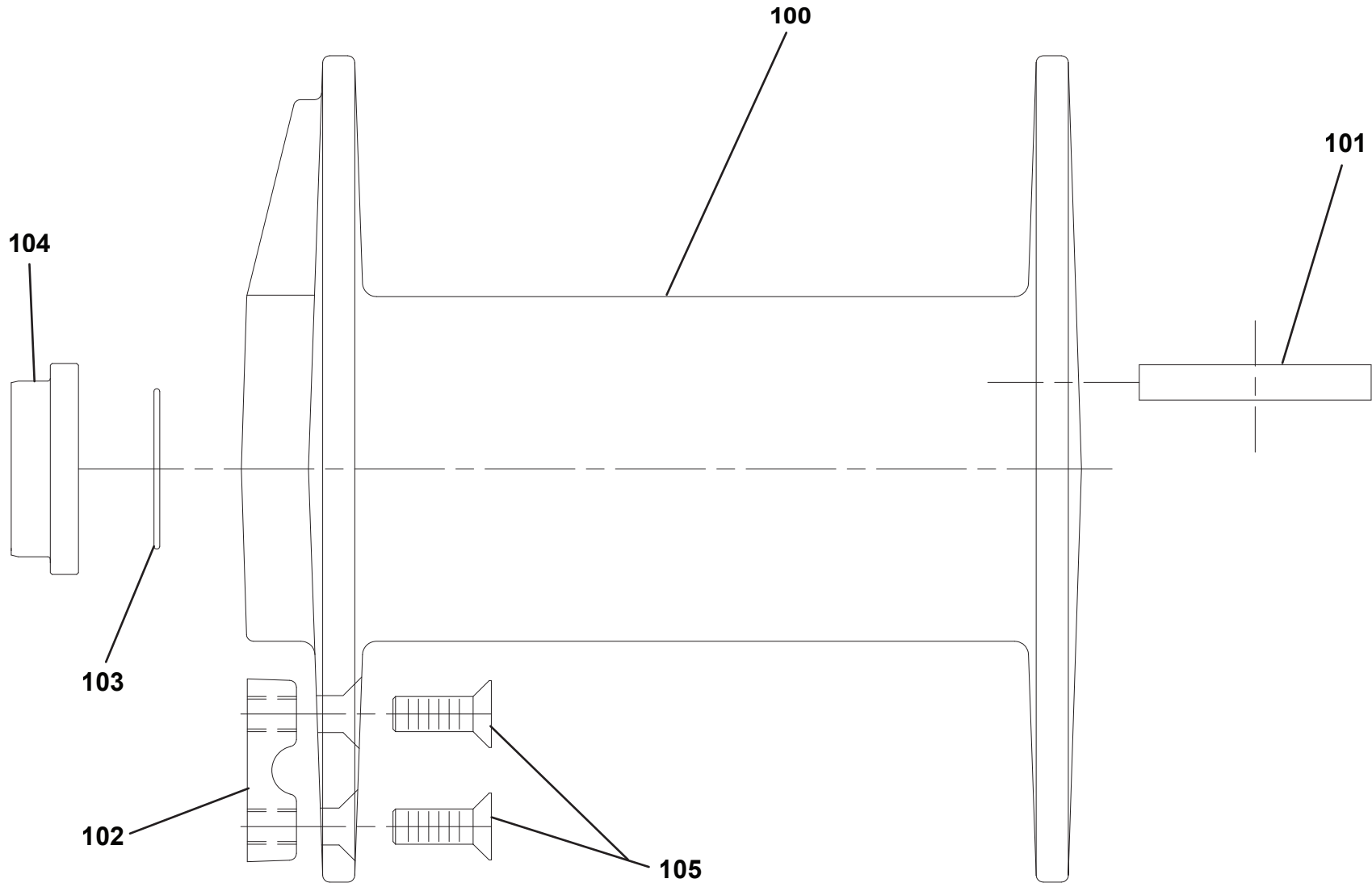
DP WINCH 25K - 7970000050 - (PRIOR TO S/N 0230004251)



DP WINCH 25K - 7970000050 - (PRIOR TO S/N 0230004251)

ITEM	PART NO.	DESCRIPTION	QTY	REV
		Drum Assembly	Ref	
100	9970960020	Drum	1	
101	9575960012	Key - Drum	2	
102	9280960002	Clip - Cable	1	
103	9796960089	O-Ring	1	
104	9831960018	Spacer	1	
105	7110201423	Capscrew, 0.63"-11NC X 1.75"	2	

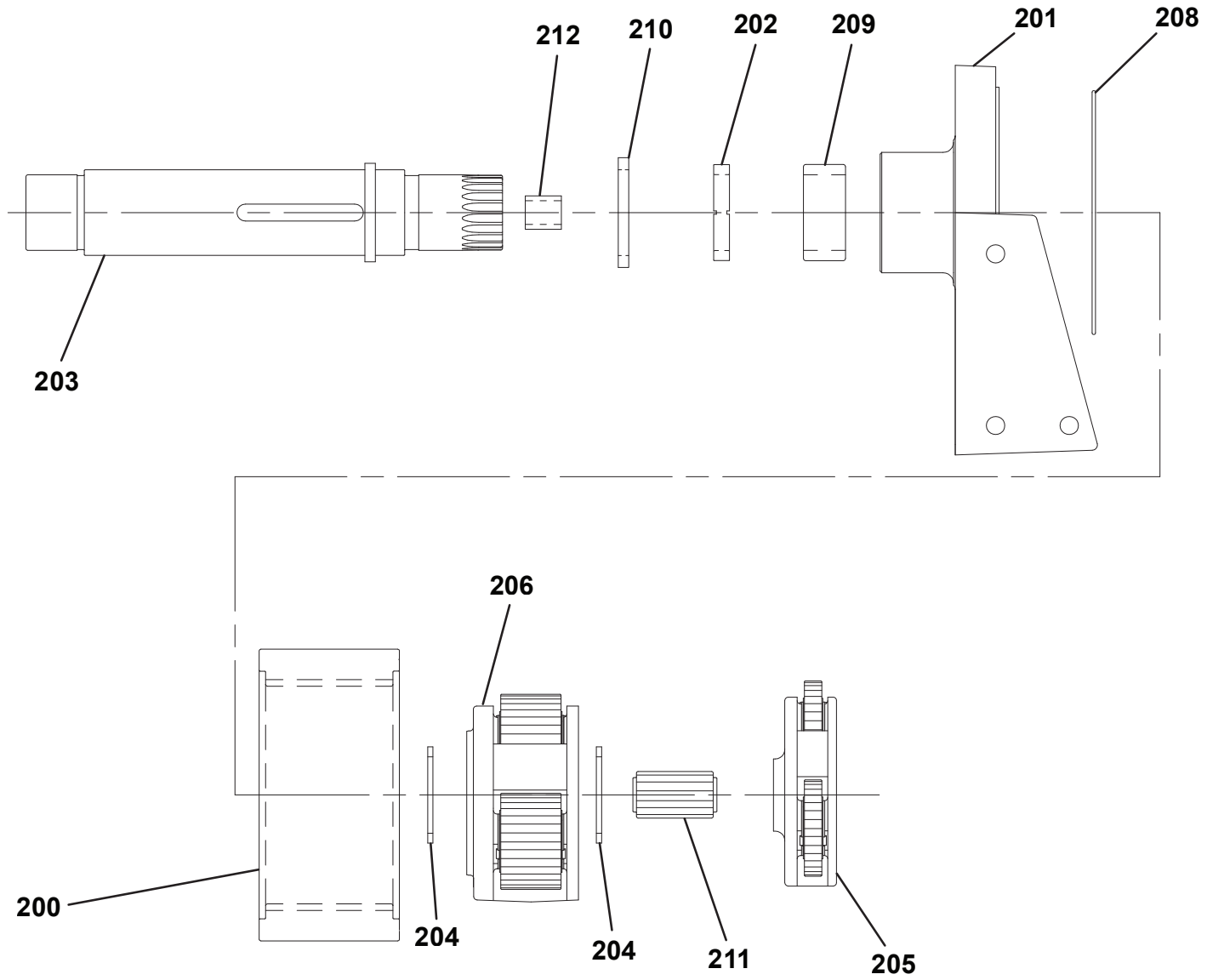
DP WINCH 25K - 7970000050 - (PRIOR TO S/N 0230004251)



DP WINCH 25K - 7970000050 - (PRIOR TO S/N 0230004251)

ITEM	PART NO.	DESCRIPTION	QTY	REV
		Gear End Assembly	Ref	
200	70050991	Gear - Ring	1	
201	9177960003	Support - Gear End	1	
202	9949960028	Washer - Thrust - Nylon - 3.81 x .406	1	
203	9806960021	Shaft - Output	1	
204	9949960027	Washer - Thrust- Nylon - 3.50" O.D. x 0.18"	2	
205	9472960052	Assembly - Carrier - Planetary - Primary	1	
206	70050992	Carrier - Assembly - Secondary	1	
207	9330960006	Label - Warning (Not Shown)	1	
208	9796960120	O-Ring - 8.75" I.D. x .012" Section	1	
209	9082960018	Bearing - Roller - Torrington	1	
210	9796960121	Seal - Shaft - 3.12" ID x 4" OD x 0.38 Thick	1	
211	70050993	Gear - Sun - 15 Teeth	1	
212	9209960025	Bushing - 1.00" I.D. x 1.25" OD x 1.00" LG	1	

DP WINCH 25K - 7970000050 - (PRIOR TO S/N 0230004251)

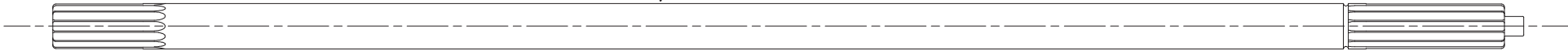


DP WINCH 25K - 7970000050 - (PRIOR TO S/N 0230004251)

ITEM	PART NO.	DESCRIPTION	QTY	REV
300	70050994	Input Shaft Assembly Input - Shaft	Ref 1	

DP WINCH 25K - 7970000050 - (PRIOR TO S/N 0230004251)

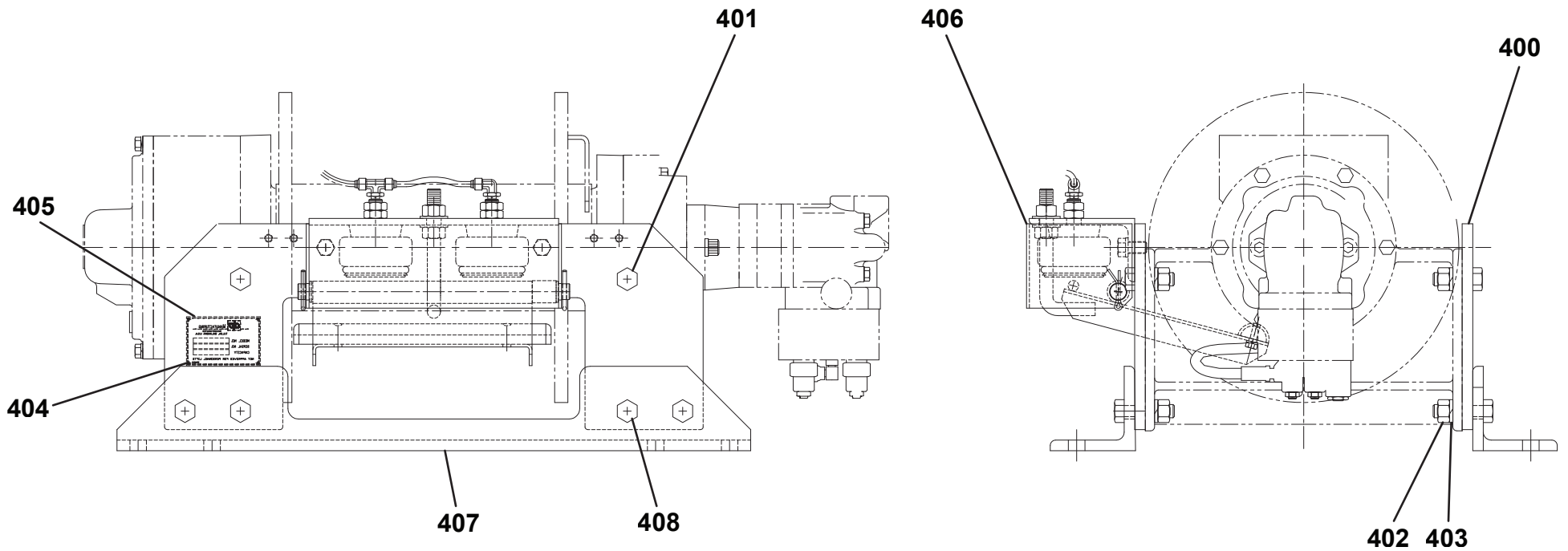
300



DP WINCH 25K - 7970000050 - (PRIOR TO S/N 0230004251)

ITEM	PART NO.	DESCRIPTION	QTY	REV
		Base Mount Assembly	Ref	
400	9073960003	Base Mount	2	
401	7115201850	Capscrew, 0.63"-11NC x 2.25"	4	
402	7660200001	Nut, 0.63"-11NC	12	
403	7950200000	Lockwasher, 0.63" ID	12	
404	70050147	Rivet	4	
405	70050384	Plate	1	
406	70050398	Kit - Cable Hold Down	1	
407	9073960004	Base Mount	2	
408	7115202250	Capscrew, 0.63"-11NC x 2.75"	8	

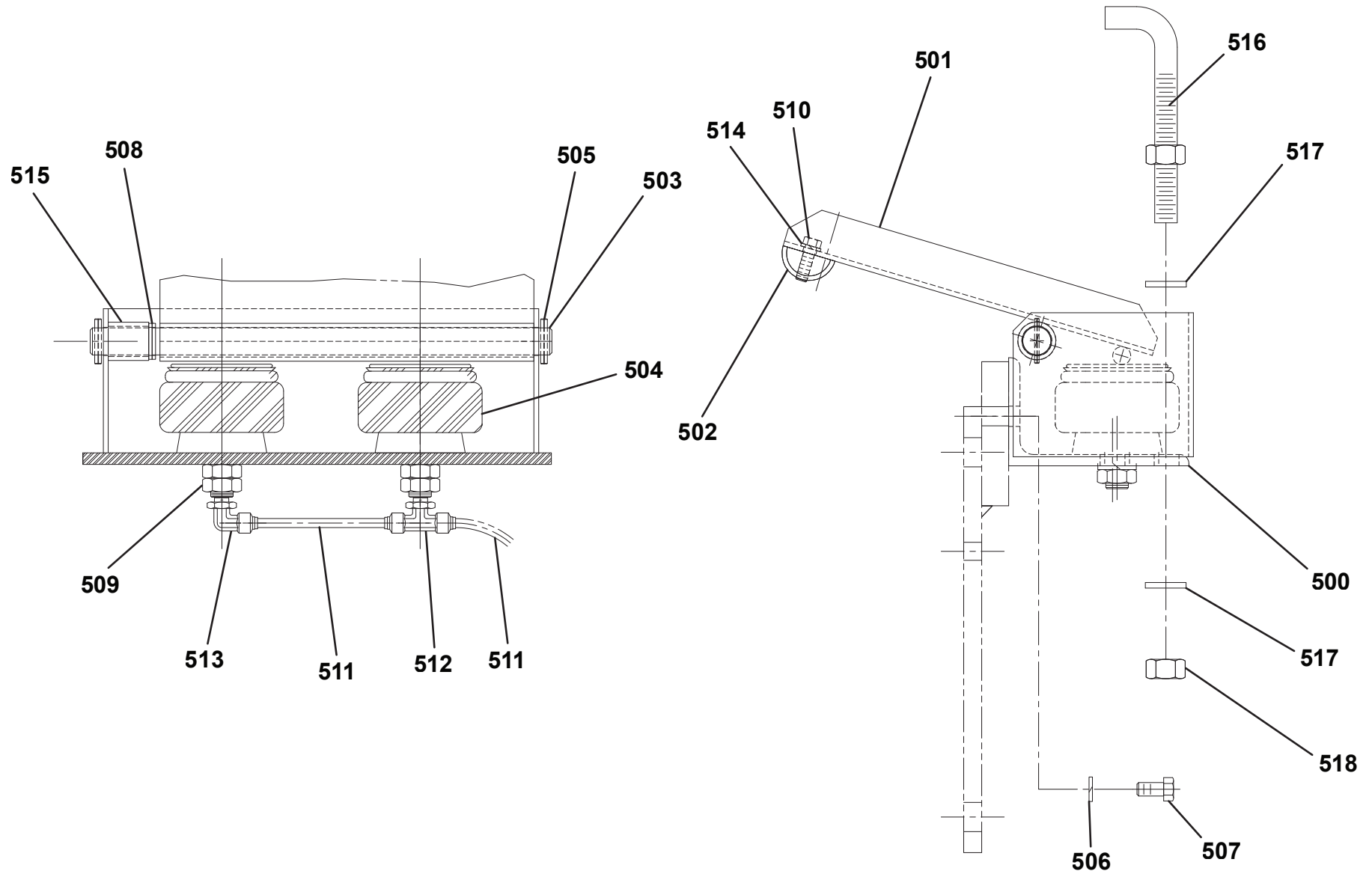
DP WINCH 25K - 7970000050 - (PRIOR TO S/N 0230004251)



DP WINCH 25K - 7970000050 - (PRIOR TO S/N 0230004251)

ITEM	PART NO.	DESCRIPTION	QTY	REV
		Cable Hold Down Assembly	Ref	
500	9178960011	Bracket - Mounting	1	
501	9020960002	Arm - Pivot	1	
502	9064960007	Bar - Rub - 1.50" - Half Round	1	
503	9691960019	Pin, Pivot	1	
504	9843960023	Spring - Cushion - Air - Goodyear	2	
505	9690960039	Pin, Cotter 0.19" x 1.50"	2	
506	7950180000	Lockwasher, 0.59" ID Nom Reg	2	
507	7115181650	Capscrew, 0.50"-13NC x 2.00"	2	
508	9949960012	Washer - Thrust	2	
509	7660200200	Nut, 0.63'-11NC Hex Jam	4	
510	9120960063	Capscrew, 0.31"-18NC x 1.00"	2	
511	9912960010	Tubing - Nylon - 0.25" OD	3	
512	7443000205	Adapter - Tee - Branch	3	
513	7443000204	Adapter - 90 Degree	1	
514	9949960050	Lockwasher, 0.31" ID	2	
515	9831960009	Spacer - Pin - 1.12"	1	
516	9120960019	Bolt - Anchor	1	
517	7950200151	Flatwasher, 0.63" ID	2	
518	7660200001	Nut .63"-11NC GR5 Hex - Plated	1	

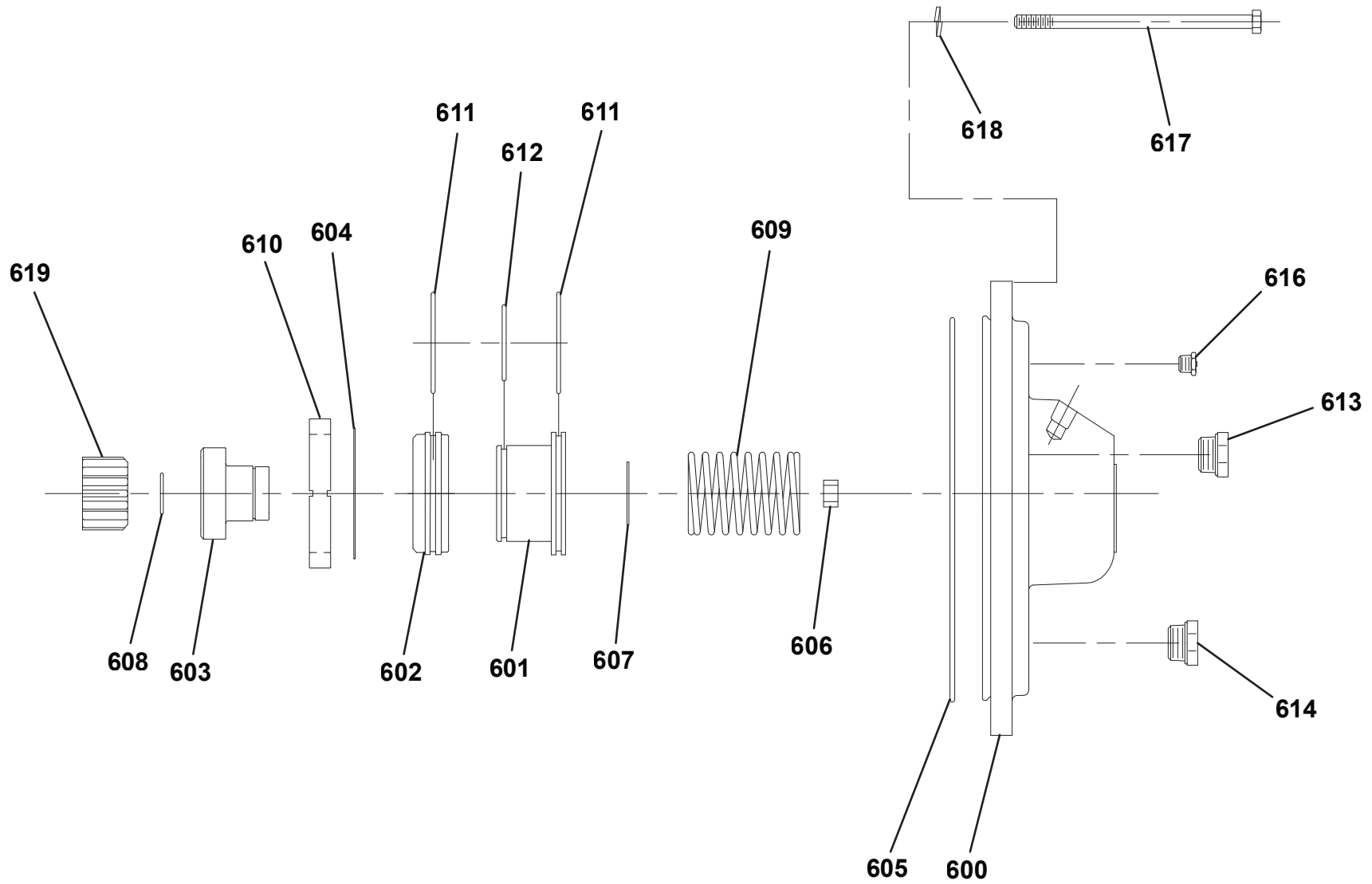
DP WINCH 25K - 7970000050 - (PRIOR TO S/N 0230004251)



DP WINCH 25K - 7970000050 - (PRIOR TO S/N 0230004251)

ITEM	PART NO.	DESCRIPTION	QTY	REV
		Gear End Cover	Ref	
600	9314960022	Cover - Gear End	1	
601	9698960016	Piston	1	
602	9698960015	Piston	1	
603	9309960011	Coupling - Drive	1	
604	9754960026	Retaining Ring	1	
605	9796960120	O-Ring	1	
606	9209960026	Bushing	1	
607	9754960046	Retaining Ring	1	
608	9754960047	Retaining Ring	1	
609	9843960032	Spring - Compression	1	
610	9949960028	Washer	1	
611	9796960119	O-Ring	2	
612	9796960118	O-Ring	1	
613	9701960011	Plug	1	
613	70050998	O-Ring	1	
614	9701960012	Plug	1	
614	70050998	O-Ring	1	
615	9701960018	Plug (Not Shown)	1	
616	9183960001	Vent - Relief	1	
617	70050995	Capscrew, 0.38"-16NC x 5.50"	12	
618	7950160000	Lockwasher 0.38" ID	12	
619	9472960054	Gear	1	

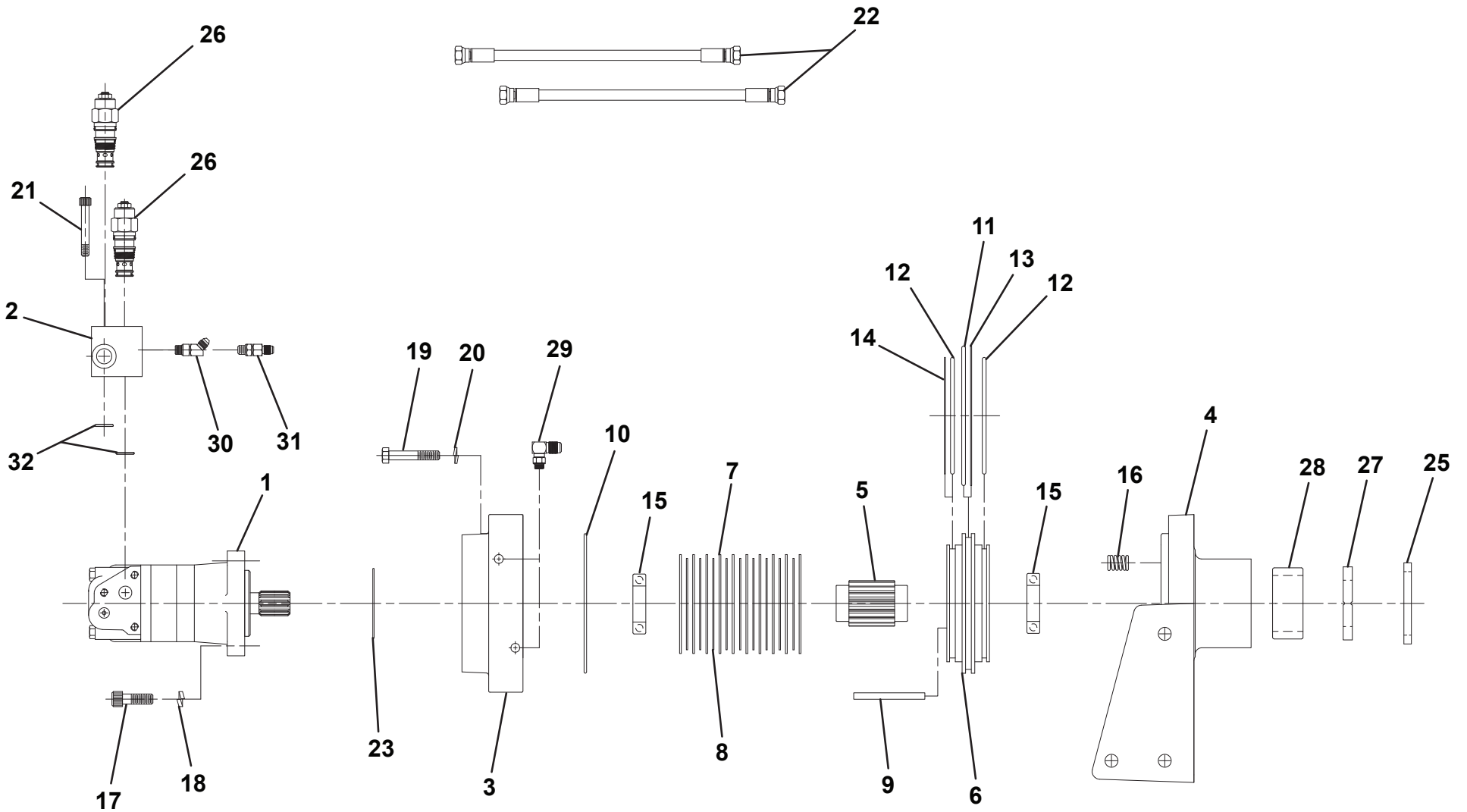
DP WINCH 25K - 7970000050 - (PRIOR TO S/N 0230004251)



DP WINCH 35K - 7970000066 - (PRIOR TO S/N 0230004251)

ITEM	PART NO.	DESCRIPTION	QTY	REV	ITEM	PART NO.	DESCRIPTION	QTY	REV
		Motor End Assembly	Ref		29	9445040445	Fitting, Swivel Adapter 90 Degree	2	
1	9626960018	Motor- Hydraulic	1		30	7445040446	Fitting, Swivel Adapter 45 Degree	1	
2	9935960027	Valve - Counterbalance	1		31	9443960006	Fitting, Straight Adapter	1	
3	9571960006	Brake - Housing	1		32	9796960088	O-Ring - 0.81" I. x 0.09" Section	2	
4	9177960004	Support - Motor End	1						
5	9806960019	Shaft - Brake	1						
6	9698960008	Piston - Brake	1						
7	NSS	Plate - Disc - Friction (Sold Only in Kit #9577960139)	10						
8	NSS	Plate - Drive - Brake (Sold Only in Kit # 9577960139)	9						
9	9691960021	Pin - Dowel - 0.31" Dia. x 3.50"	2						
10	NSS	O-Ring - 7.00" OD x 6.75" ID (Sold Only in Kit #9577960120)	1						
11	NSS	O-Ring - 6.84" OD x 6.50" ID (Sold Only in Kit #9577960120)	1						
12	NSS	O-Ring - 5.38" OD x 5.00 ID (Sold Only in Kit #9577960120)	2						
13	NSS	Ring - Back-Up - 6.25" ID (Sold Only in Kit #9577960120)	1						
14	NSS	Ring - Back-Up - 5.278" ID (Sold Only in Kit #9577960120)	1						
15	9082960013	Ball - Bearing - 1.75" I.D.	2						
16	NSS	Spring - Compression - 0.75" (Sold Only in Kit # 9577960139)	12						
17	7118181205	Capscrew, 0.50"-13NC x 1.50" Socket Head GR 8	2						
18	7950180800	Lockwasher, 0.50" ID	2						
19	7118172050	Capscrew, 0.44"-14NC x 2.50" GR 8	6						
20	7950170000	Lockwasher, 0.44" ID	6						
21	7118162005	Capscrew, 0.38"-16NC x 2.50"	3						
22	9570960001	Hose, 0.25 DIA	2						
23	9796960090	O-Ring - 3.00" OD x 2.75" ID	1						
24	70050401	Tag - Warning (Not Shown)	1						
25	9796960121	Seal - Shaft - 3.12" ID x 4" OD x 0.38 Thick	1						
26	9935960026	Cartridge - Counterbalance	2						
27	9949960028	Washer - Thrust - Nylon - 3.81 x .406	1						
28	9082960018	Bearing - Roller - Torrington	1						

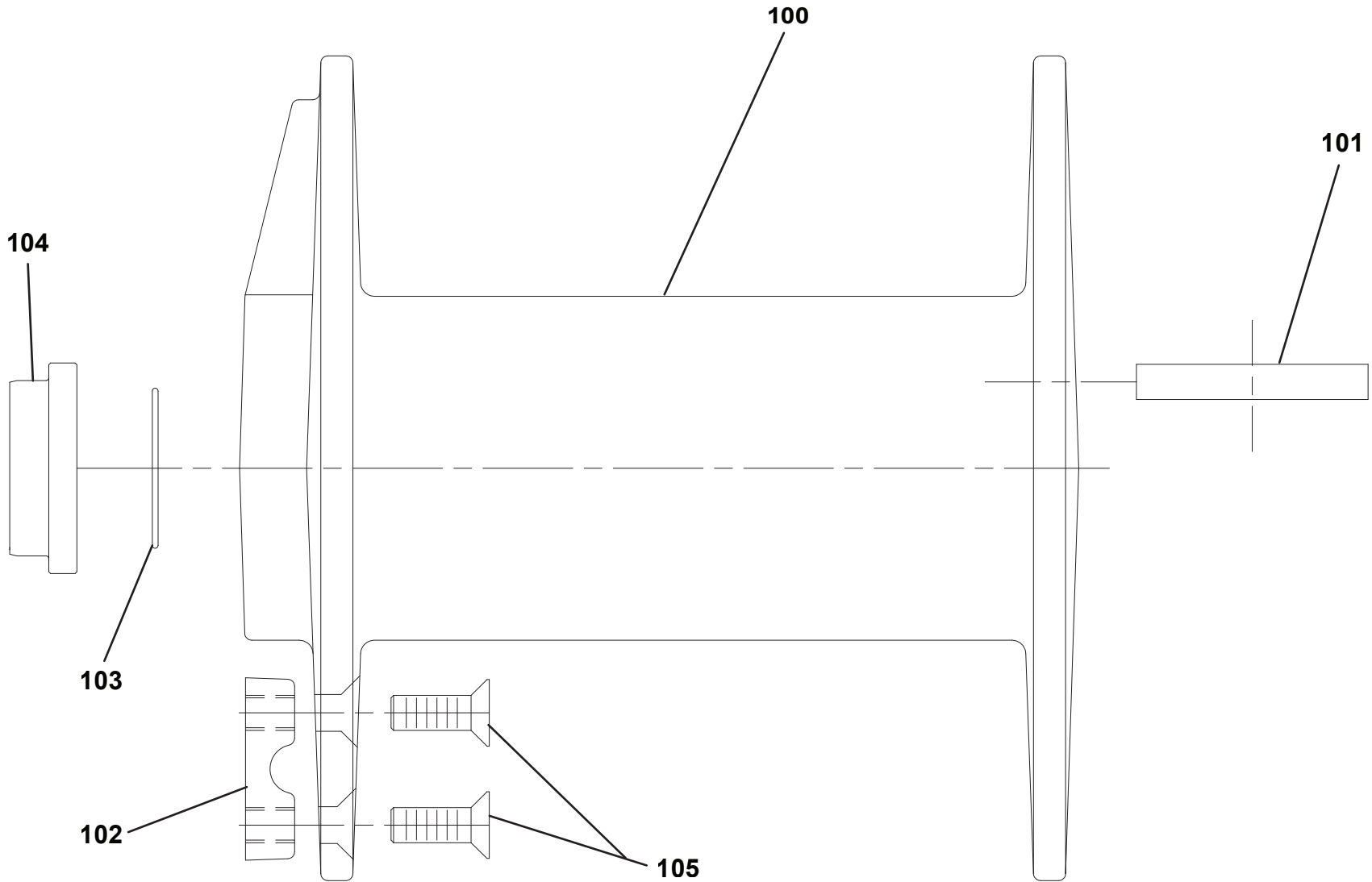
DP WINCH 35K - 7970000066 - (PRIOR TO S/N 0230004251)



DP WINCH 35K - 7970000066 - (PRIOR TO S/N 0230004251)

ITEM	PART NO.	DESCRIPTION	QTY	REV
		Drum Assembly	Ref	
100	9970960020	Drum	1	
101	9575960012	Key - Drum	2	
102	9280960002	Clip - Cable	1	
103	9796960089	O-Ring	1	
104	9831960018	Spacer	1	
105	7110201423	Capscrew, 0.63"-11NC X 1.75"	2	

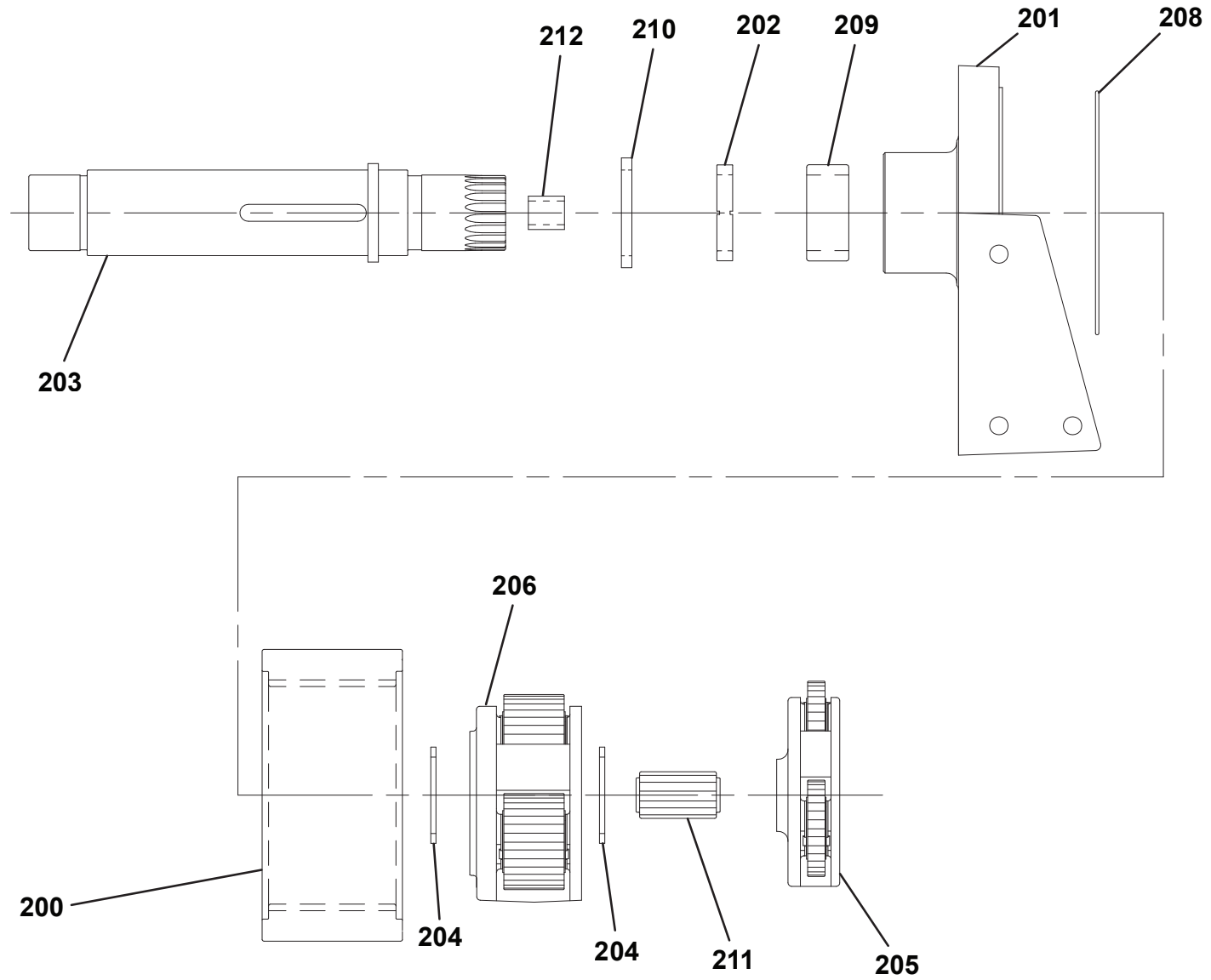
WINCH 35K - 7970000066 - (PRIOR TO S/N 0230004251)



DP WINCH 35K - 7970000066 - (PRIOR TO S/N 0230004251)

ITEM	PART NO.	DESCRIPTION	QTY	REV
		Gear End Assembly	Ref	
200	9472960056	Gear - Ring	1	
201	9177960003	Support - Gear End	1	
202	9949960028	Washer - Thrust - Nylon - 3.81 x .406	1	
203	9806960021	Shaft - Output	1	
204	9949960027	Washer - Thrust- Nylon - 3.50" O.D. x 0.18"	2	
205	9472960052	Assembly - Carrier - Planetary - Primary	1	
206	9472960053	Carrier - Assembly - Secondary	1	
207	9330960006	Label - Warning (Not Shown)	1	
208	9796960120	O-Ring - 8.75" I.D. x .012" Section	1	
209	9082960018	Bearing - Roller - Torrington	1	
210	9796960121	Seal - Shaft - 3.12" ID x 4" OD x 0.38 Thick	1	
211	9472960055	Gear - Sun - 15 Teeth	1	
212	9209960025	Bushing - 1.00" I.D. x 1.25" OD x 1.00" LG	1	

DP WINCH 35K - 7970000066 - (PRIOR TO S/N 0230004251)

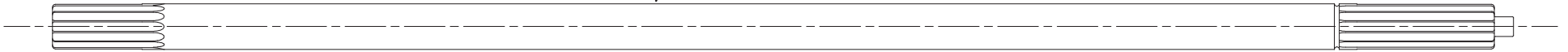


DP WINCH 35K - 7970000066 - (PRIOR TO S/N 0230004251)

ITEM	PART NO.	DESCRIPTION	QTY	REV
300	9806960020	Input Shaft Assembly Input - Shaft	Ref 1	

DP WINCH 35K - 7970000066 - (PRIOR TO S/N 0230004251)

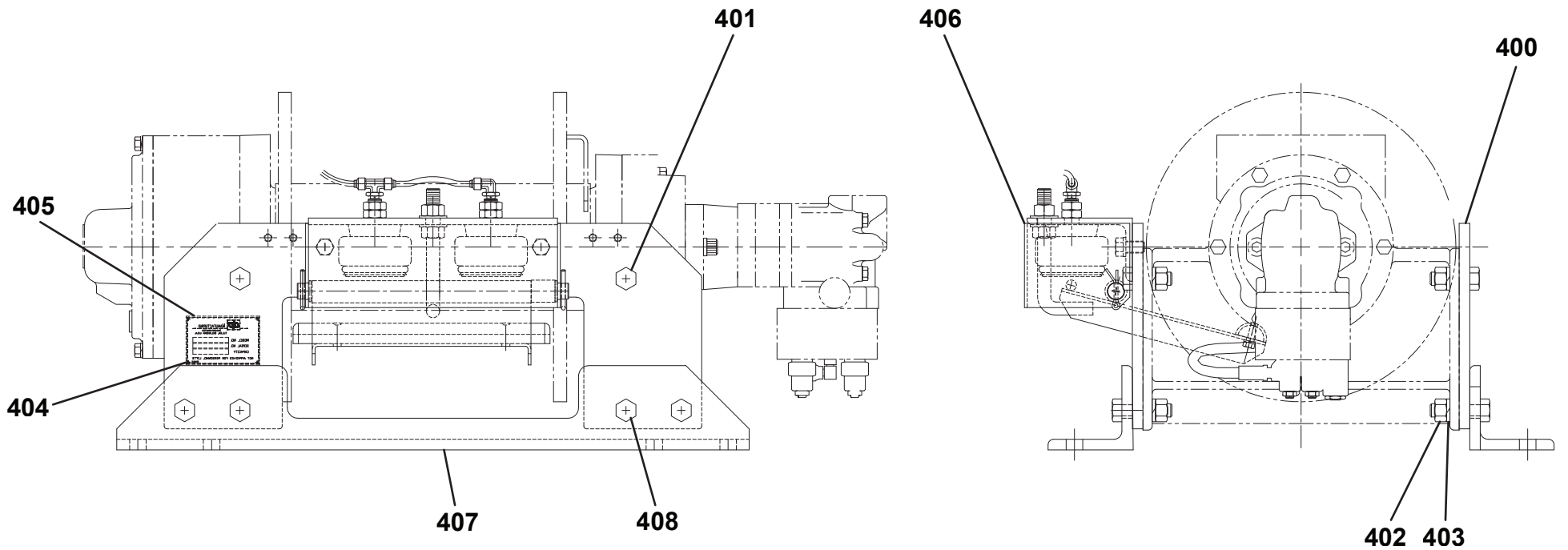
300



DP WINCH 35K - 7970000066 - (PRIOR TO S/N 0230004251)

ITEM	PART NO.	DESCRIPTION	QTY	REV
		Base Mount Assembly	Ref	
400	9073960003	Base Mount	2	
401	7115201850	Capscrew, 0.63"-11NC x 2.25"	4	
402	7660200001	Nut .63"-11NC	12	
403	7950200000	Lockwasher, 0.63"	12	
404	70050147	Rivet	4	
405	70050384	Plate	1	
406	70050398	Kit - Cable Hold Down	1	
407	9073960004	Base Mount	2	
408	7115202250	Capscrew, 0.63"-11NC x 2.75"	8	

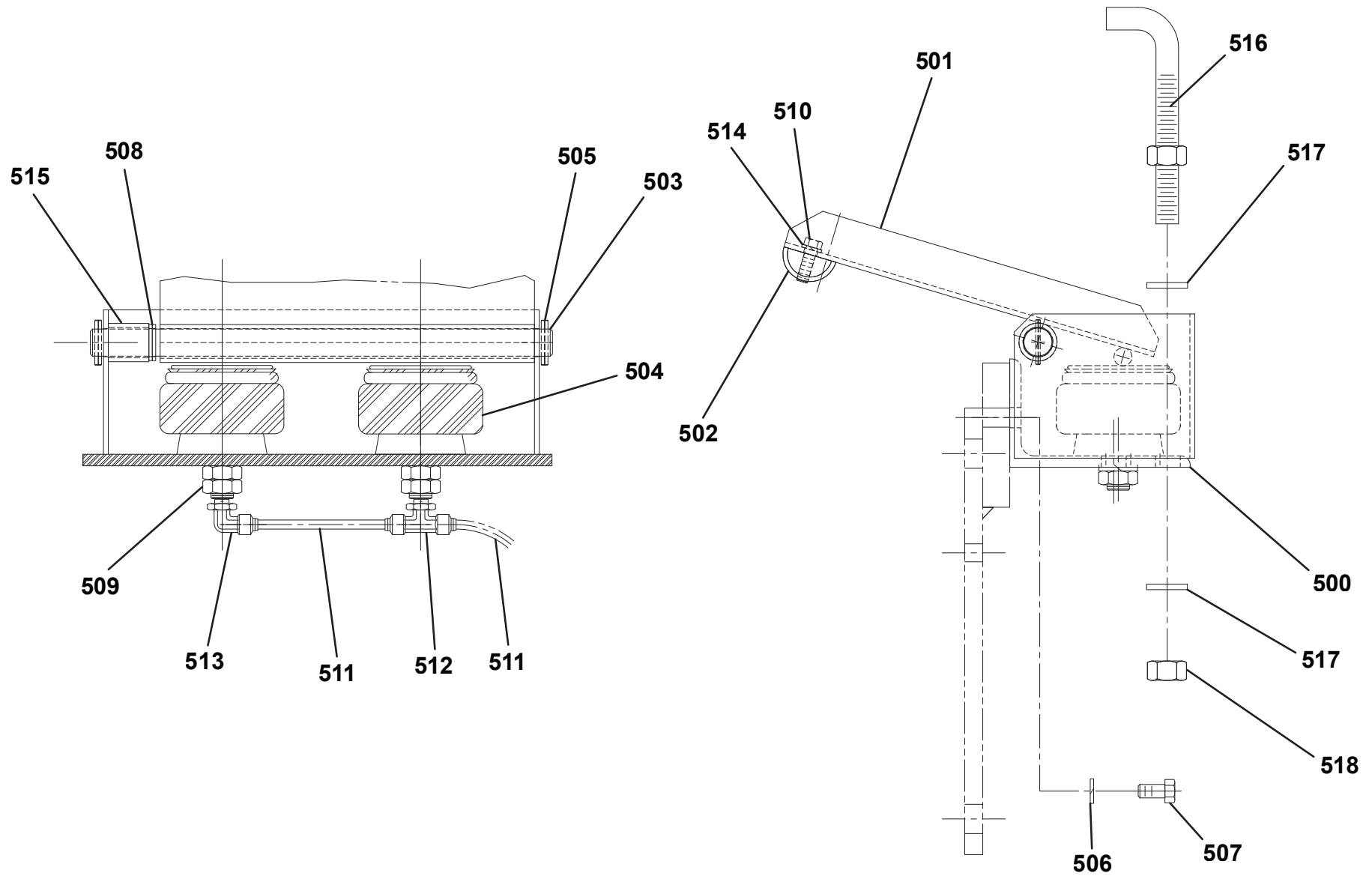
DP WINCH 35K - 7970000066 - (PRIOR TO S/N 0230004251)



DP WINCH 35K - 7970000066 - (PRIOR TO S/N 0230004251)

ITEM	PART NO.	DESCRIPTION	QTY	REV
		Cable Hold Down Assembly	Ref	
500	9178960011	Bracket - Mounting	1	
501	9020960002	Arm - Pivot	1	
502	9064960007	Bar - Rub - 1.50" - Half Round	1	
503	9691960019	Pin, Pivot	1	
504	9843960023	Spring - Cushion - Air - Goodyear	2	
505	9690960039	Pin, Cotter 0.19" x 1.50"	2	
506	7950180000	Lockwasher, 0.59" ID Nom Reg	2	
507	7115181650	Capscrew, 0.50"-13NC x 2.00"	2	
508	9949960012	Washer - Thrust	2	
509	7660200200	Nut, 0.63'-11NC Hex Jam	4	
510	9120960063	Capscrew, 0.31"-18NC x 1.00"	2	
511	9912960010	Tubing - Nylon - 0.25" OD	3	
512	7443000205	Adapter - Tee - Branch	3	
513	7443000204	Adapter - 90 Degree	1	
514	9949960050	Lockwasher, 0.31" ID	2	
515	9831960009	Spacer - Pin - 1.12"	1	
516	9120960019	Bolt - Anchor	1	
517	7950200151	Flatwasher, 0.63" ID	2	
518	7660200001	Nut .63"-11NC GR5 Hex - Plated	1	

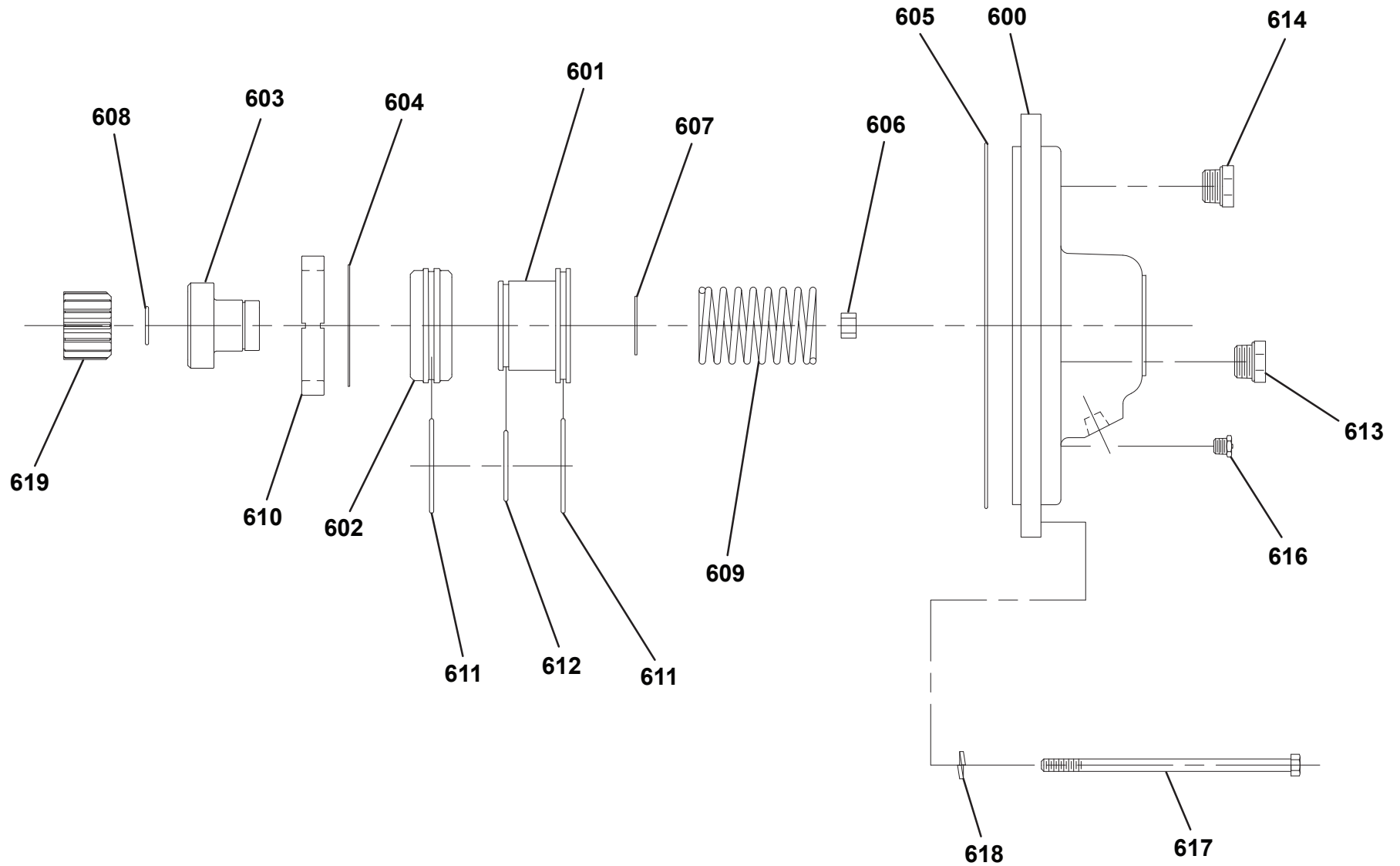
DP WINCH 35K - 7970000066 - (PRIOR TO S/N 0230004251)



DP WINCH 35K - 7970000066 - (PRIOR TO S/N 0230004251)

ITEM	PART NO.	DESCRIPTION	QTY	REV
		Gear End Cover Assembly	Ref	
600	9314960022	Cover - Gear End	1	
601	9698960016	Piston	1	
602	9698960015	Piston	1	
603	9309960011	Coupling - Drive	1	
604	9754960026	Retaining Ring	1	
605	9796960120	O-Ring	1	
606	9209960026	Bushing	1	
607	9754960046	Retaining Ring	1	
608	9754960047	Retaining Ring	1	
609	9843960032	Spring - Compression	1	
610	9949960028	Washer	1	
611	9796960119	O-Ring	2	
612	9796960118	O-Ring	1	
613	9701960011	Plug	1	
614	9701960012	Plug	1	
615	9701960018	Plug (Not Shown)	1	
616	9183960001	Vent - Relief	1	
617	7118165250	Capscrew, 0.38"-16NC x 6.50"	12	
618	7950160000	Lockwasher 0.38" ID	12	
619	9472960054	Gear	1	

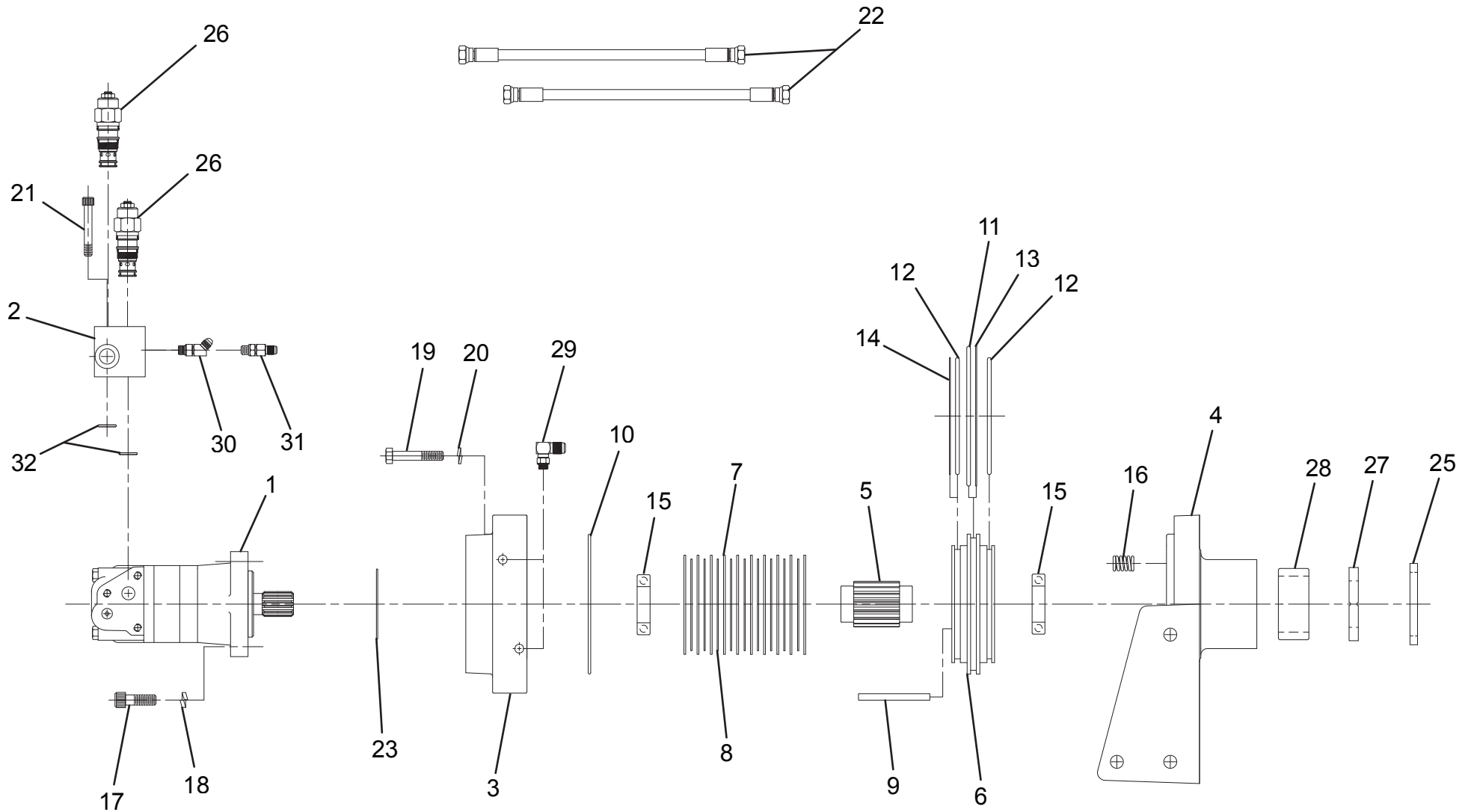
DP WINCH 35K - 7970000066 - (PRIOR TO S/N 0230004251)



DP WINCH 35K - 7970000067 - (PRIOR TO S/N 0230004251)

ITEM	PART NO.	DESCRIPTION	QTY	REV	ITEM	PART NO.	DESCRIPTION	QTY	REV
		Motor End Assembly	Ref		29	9445040445	Fitting, Swivel Adapter 90 Degree	2	
1	9626960018	Motor- Hydraulic	1		30	7445040446	Fitting, Swivel Adapter 45 Degree	1	
2	9935960027	Valve - Counterbalance	1		31	9443960006	Fitting, Straight Adapter	1	
3	9571960006	Brake - Housing	1		32	9796960088	O-Ring - 0.81" I. x 0.09" Section	2	
4	9177960004	Support - Motor End	1						
5	9806960019	Shaft - Brake	1						
6	9698960008	Piston - Brake	1						
7	NSS	Plate - Disc - Friction (Sold Only in Kit #9577960139)	10						
8	NSS	Plate - Drive - Brake (Sold Only in Kit # 9577960139)	9						
9	9691960021	Pin - Dowel - 0.31" Dia. x 3.50"	2						
10	NSS	O-Ring - 7.00" OD x 6.75" ID (Sold Only in Kit #9577960120)	1						
11	NSS	O-Ring - 6.84" OD x 6.50" ID (Sold Only in Kit #9577960120)	1						
12	NSS	O-Ring - 5.38" OD x 5.00 ID (Sold Only in Kit #9577960120)	2						
13	NSS	Ring - Back-Up - 6.25" ID (Sold Only in Kit #9577960120)	1						
14	NSS	Ring - Back-Up - 5.278" ID (Sold Only in Kit #9577960120)	1						
15	9082960013	Ball - Bearing - 1.75" I.D.	2						
16	NSS	Spring - Compression - 0.75" (Sold Only in Kit # 9577960139)	12						
17	7118181205	Capscrew, 0.50"-13NC x 1.50" Socket Head GR 8	2						
18	7950180800	Lockwasher, 0.50" ID	2						
19	7118172050	Capscrew, 0.44"-14NC x 2.50" GR 8	6						
20	7950170000	Lockwasher, 0.44" ID	6						
21	7118162005	Capscrew, 0.38"-16NC x 2.50"	3						
22	9570960001	Hose, 0.25 DIA	2						
23	9796960090	O-Ring - 3.00" OD x 2.75" ID	1						
24	70050401	Tag - Warning (Not Shown)	1						
25	9796960121	Seal - Shaft - 3.12" ID x 4" OD x 0.38 Thick	1						
26	9935960026	Cartridge - Counterbalance	2						
27	9949960028	Washer - Thrust - Nylon - 3.81 x .406	1						
28	9082960018	Bearing - Roller - Torrington	1						

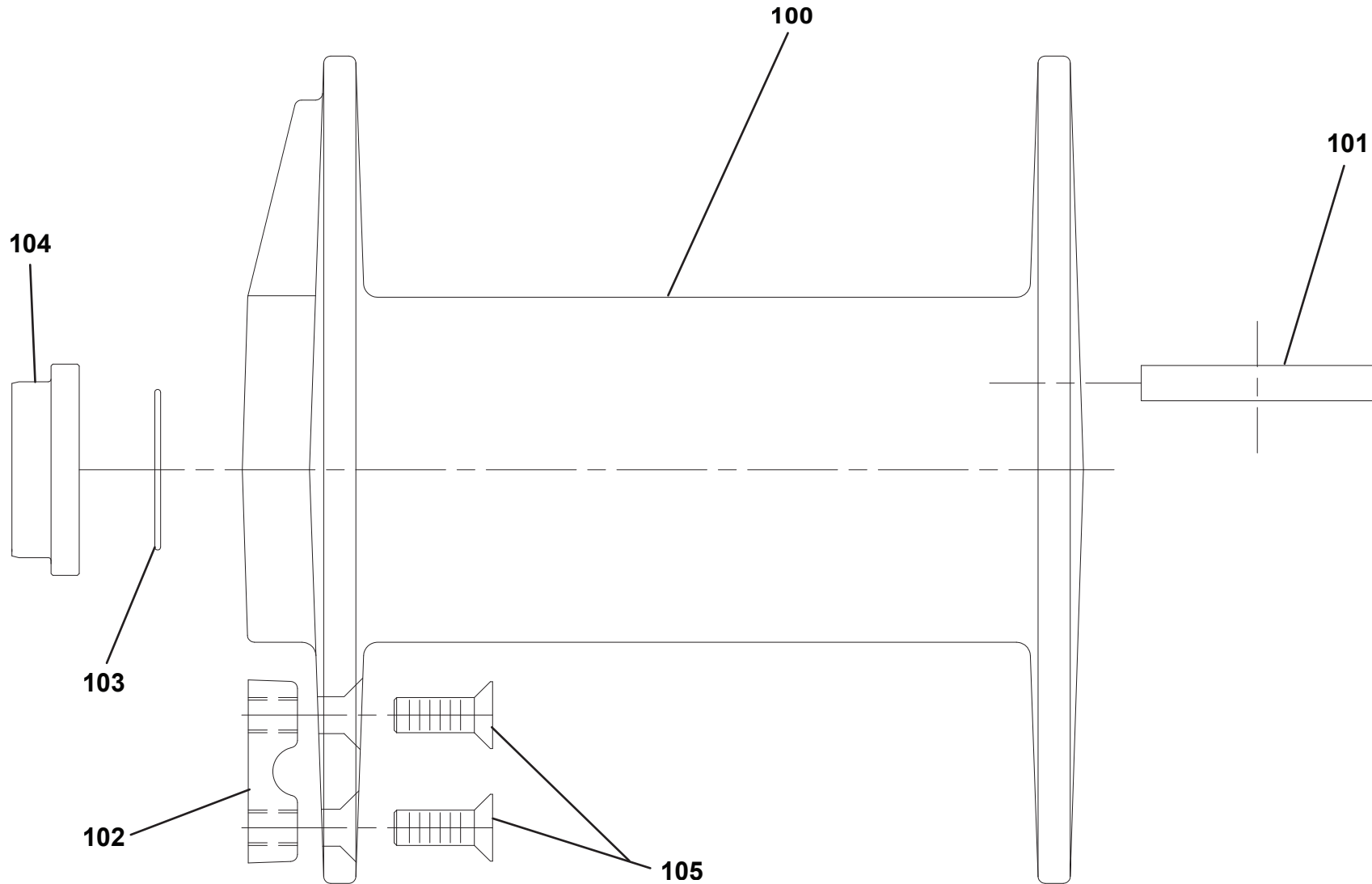
DP WINCH 35K - 7970000067 - (PRIOR TO S/N 0230004251)



DP WINCH 35K - 7970000067 - (PRIOR TO S/N 0230004251)

ITEM	PART NO.	DESCRIPTION	QTY	REV
		Drum Assembly	Ref	
100	9970960020	Drum	1	
101	9575960012	Key - Drum	2	
102	9280960002	Clip - Cable	1	
103	9796960089	O-Ring	1	
104	9831960018	Spacer	1	
105	7110201423	Capscrew, 0.63"-11NC X 1.75"	2	

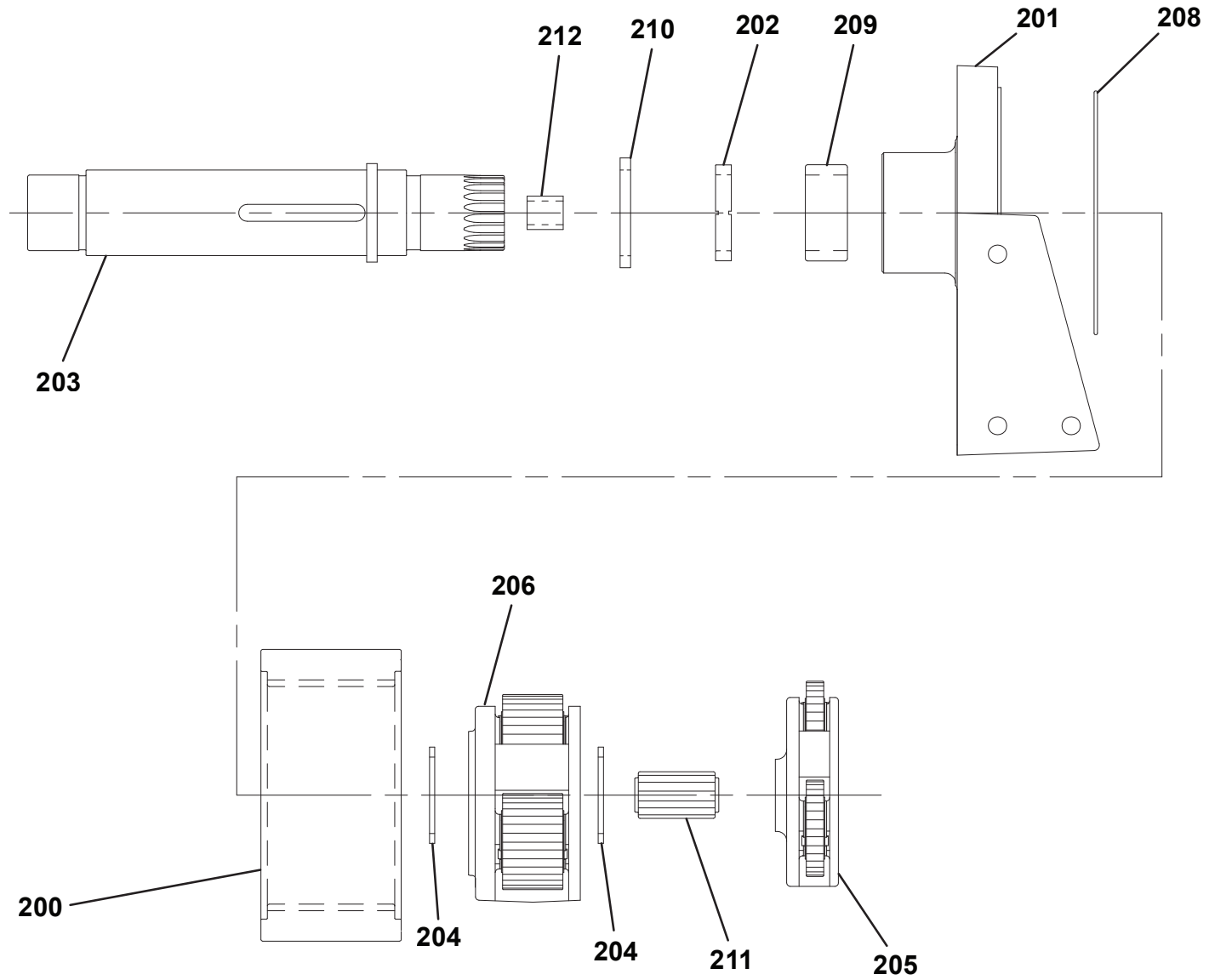
DP WINCH 35K - 7970000067 - (PRIOR TO S/N 0230004251)



DP WINCH 35K - 7970000067 - (PRIOR TO S/N 0230004251)

ITEM	PART NO.	DESCRIPTION	QTY	REV
		Gear End Assembly	Ref	
200	9472960056	Gear - Ring	1	
201	9177960003	Support - Gear End	1	
202	9949960028	Washer - Thrust - Nylon - 3.81 x .406	1	
203	9806960021	Shaft - Output	1	
204	9949960027	Washer - Thrust- Nylon - 3.50" O.D. x 0.18"	2	
205	9472960052	Assembly - Carrier - Planetary - Primary	1	
206	9472960053	Carrier - Assembly - Secondary	1	
207	9330960006	Label - Warning (Not Shown)	1	
208	9796960120	O-Ring - 8.75" I.D. x .012" Section	1	
209	9082960018	Bearing - Roller - Torrington	1	
210	9796960121	Seal - Shaft - 3.12" ID x 4" OD x 0.38 Thick	1	
211	9472960055	Gear - Sun - 15 Teeth	1	
212	9209960025	Bushing - 1.00" I.D. x 1.25" OD x 1.00" LG	1	

DP WINCH 35K - 7970000067 - (PRIOR TO S/N 0230004251)

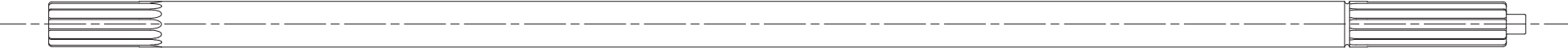


DP WINCH 35K - 7970000067 - (PRIOR TO S/N 0230004251)

ITEM	PART NO.	DESCRIPTION	QTY	REV
300	9806960020	Input Shaft Assembly Input - Shaft	Ref 1	

DP WINCH 35K - 7970000067 - (PRIOR TO S/N 0230004251)

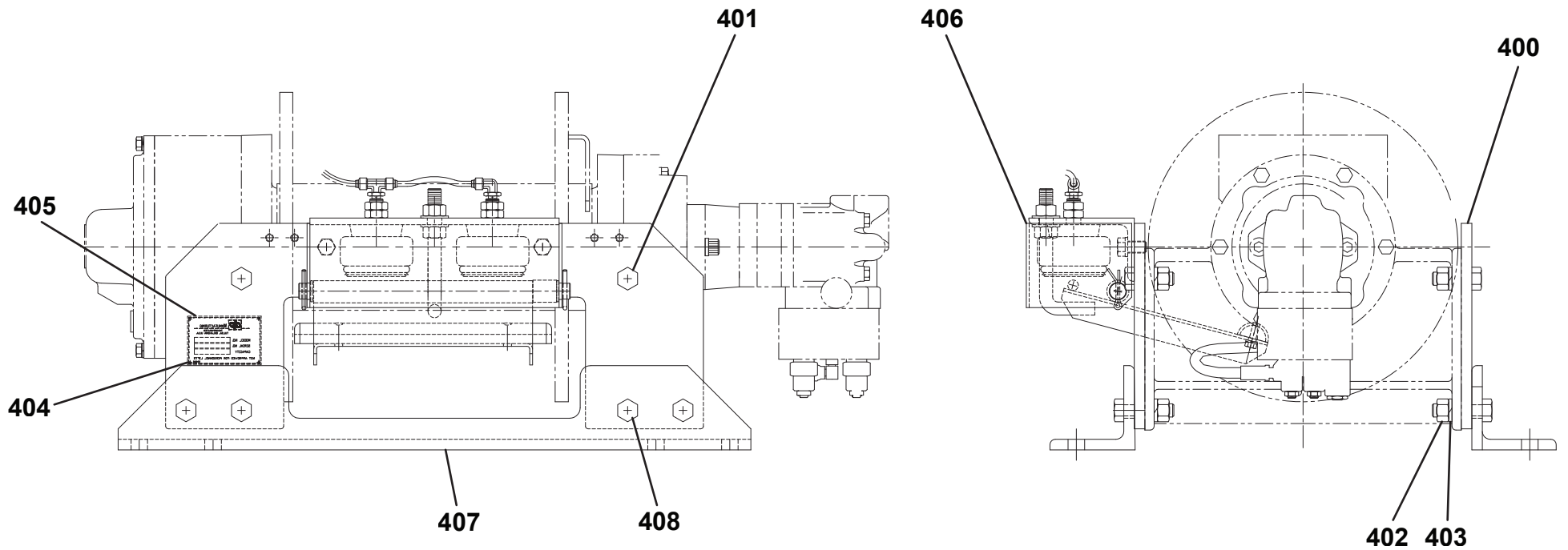
300



DP WINCH 35K - 7970000067 - (PRIOR TO S/N 0230004251)

ITEM	PART NO.	DESCRIPTION	QTY	REV
		Base Mount Assembly	Ref	
400	9073960003	Base Mount	2	
401	7115201850	Capscrew 0.63"-11NC x 2.25"	4	
402	7660200001	Nut .63"-11NC	12	
403	7950200000	Lockwasher, 0.63" ID	12	
404	70050147	Rivet	4	
405	70050384	Plate	1	
406	70050398	Kit - Cable Hold Down	1	
407	9073960004	Base Mount	2	
408	7115202250	Capscrew, 0.63"-11NC x 2.75"	8	

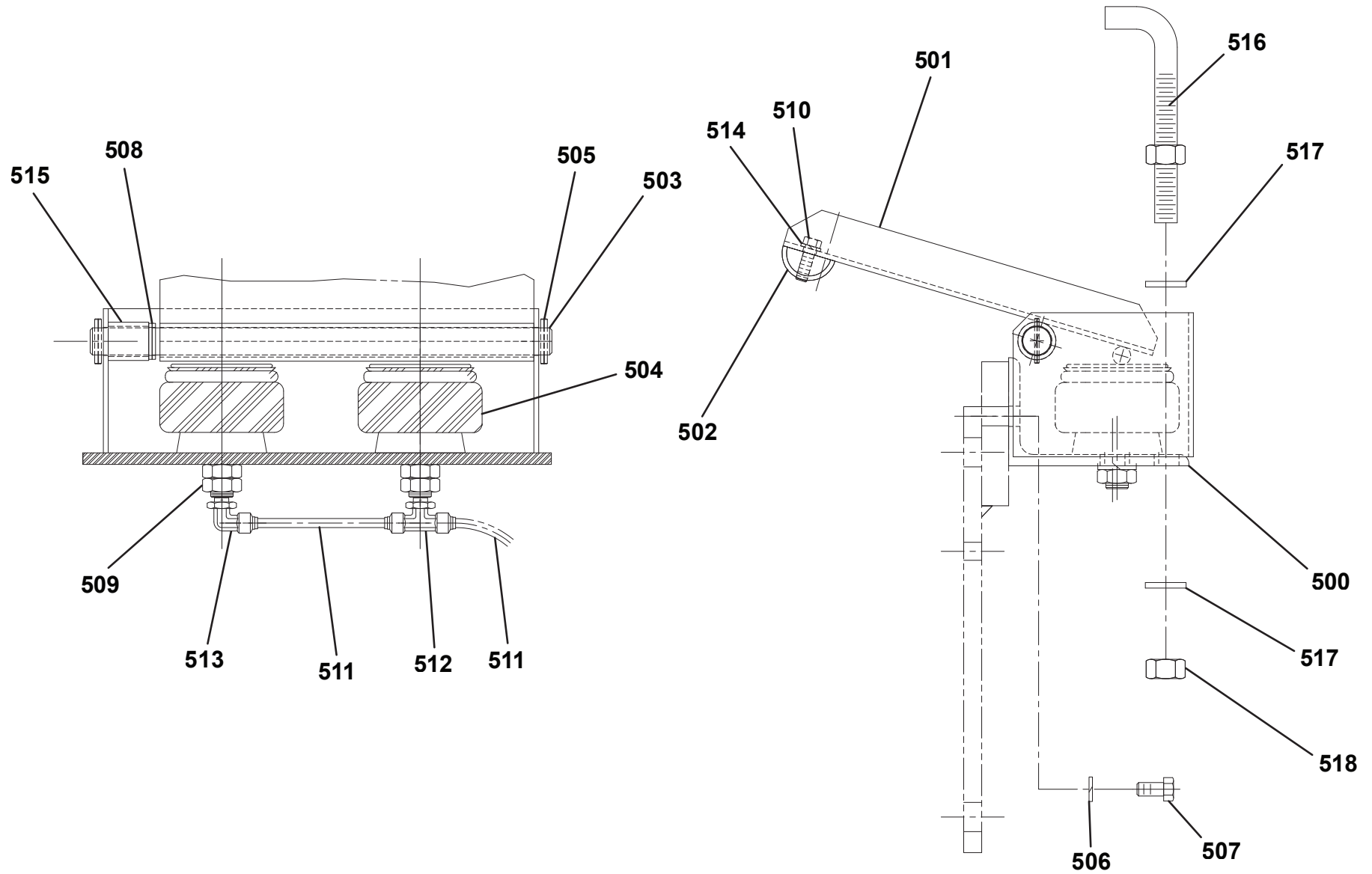
DP WINCH 35K - 7970000067 - (PRIOR TO S/N 0230004251)



DP WINCH 35K - 7970000067 - (PRIOR TO S/N 0230004251)

ITEM	PART NO.	DESCRIPTION	QTY	REV
		Cable Hold Down Assembly	Ref	
500	9178960011	Bracket - Mounting	1	
501	9020960002	Arm - Pivot	1	
502	9064960007	Bar - Rub - 1.50" - Half Round	1	
503	9691960019	Pin, Pivot	1	
504	9843960023	Spring - Cushion - Air - Goodyear	2	
505	9690960039	Pin, Cotter 0.19" x 1.50"	2	
506	7950180000	Lockwasher, 0.59" ID Nom Reg	2	
507	7115181650	Capscrew, 0.50"-13NC x 2.00"	2	
508	9949960012	Washer - Thrust	2	
509	7660200200	Nut, 0.63'-11NC Hex Jam	4	
510	9120960063	Capscrew, 0.31"-18NC x 1.00"	2	
511	9912960010	Tubing - Nylon - 0.25" OD	3	
512	7443000205	Adapter - Tee - Branch	3	
513	7443000204	Adapter - 90 Degree	1	
514	9949960050	Lockwasher, 0.31" ID	2	
515	9831960009	Spacer - Pin - 1.12"	1	
516	9120960019	Bolt - Anchor	1	
517	7950200151	Flatwasher, 0.63" ID	2	
518	7660200001	Nut .63"-11NC GR5 Hex - Plated	1	

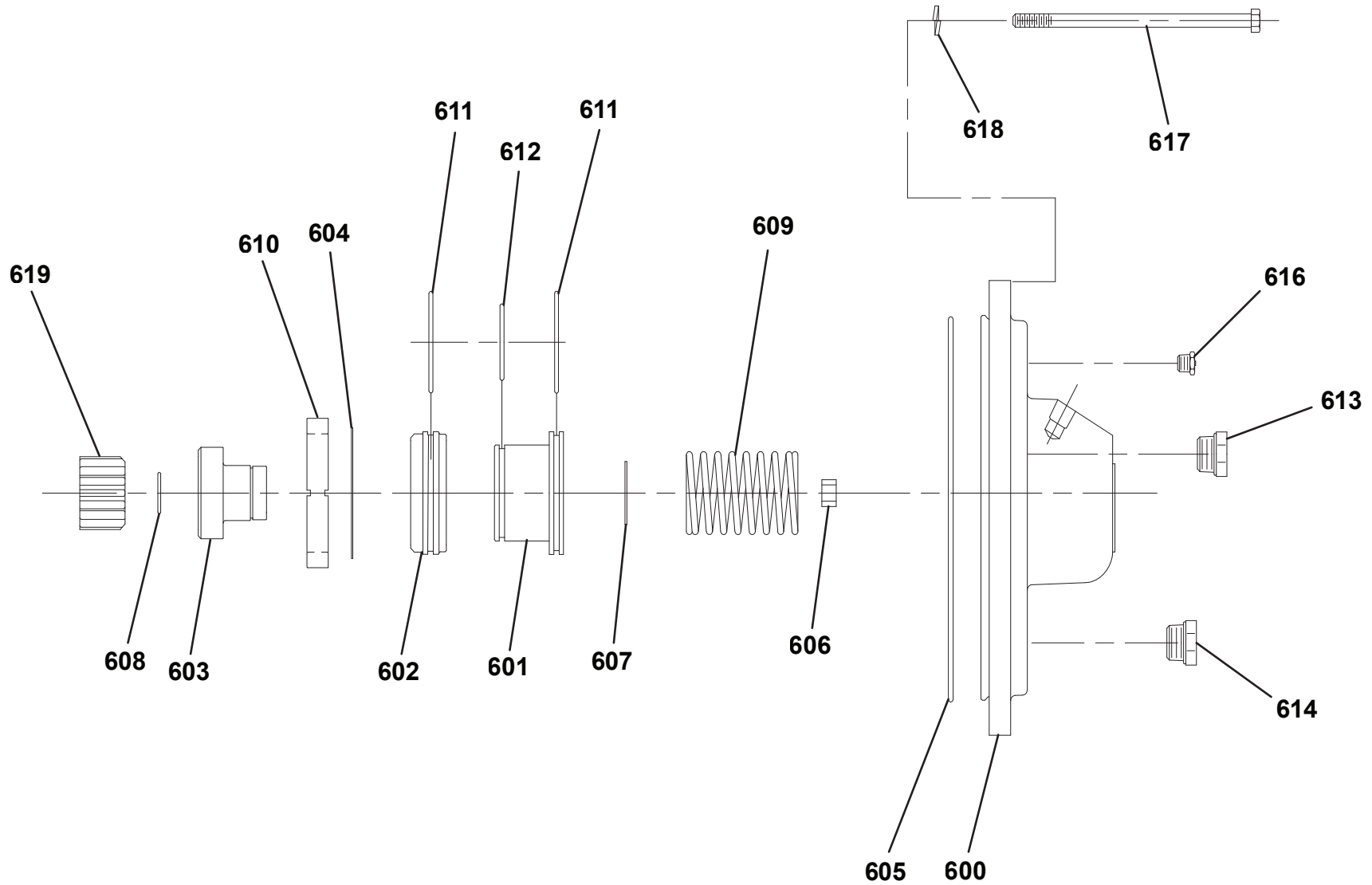
DP WINCH 35K - 7970000067 - (PRIOR TO S/N 0230004251)



DP WINCH 35K - 7970000067 - (PRIOR TO S/N 0230004251)

ITEM	PART NO.	DESCRIPTION	QTY	REV
		DP Winch 35K Gear End Cover Install	Ref	
600	9314960022	Cover - Gear End	1	
601	9698960016	Piston - AKO B/C/D	1	
602	9698960015	Cylinder - Piston	1	
603	9309960011	Coupling - Drive	1	
604	9754960026	Ring - Retainer - Round Section - 3.00" OD x 3.40	1	
605	9796960120	O-Ring - 8.75" I.D. x .012" Section	1	
606	9209960026	Bushing - Bronze - 0.63" I.D. x 0.38" OD x 0.38"	1	
607	9754960046	Ring - Retainer - 1.25" x 0.05 TH\hk	1	
608	9754960047	Ring - Retainer - 0.88" x 0.08" - Round Section	1	
609	9843960032	Spring - Compression	1	
610	9949960028	Washer - Thrust - Nylon - 3.81 x .406	1	
611	9796960119	O-Ring - 2.63" ID x 0.13" Section	2	
612	9796960118	O-Ring - 2.13"ID x 2.38" OD Section	1	
613	9701960011	Plug - O-Ring Boss - #10 Socket Head - 0.88" - 14	1	
614	9701960012	Plug- Socket Head - Boss - O-Ring #10	1	
615	9701960018	Caplug - #4 Red - 0.25" NPT (Not Shown)	1	
616	9183960001	Vent - Relief	1	
617	7118165250	Capscrew, 0.38"-16NC x 6.50" GR 8	12	
618	7950160000	Lockwasher 0.38" ID - Plated	12	
619	9472960054	Gear - Sun - 15 Teeth	1	

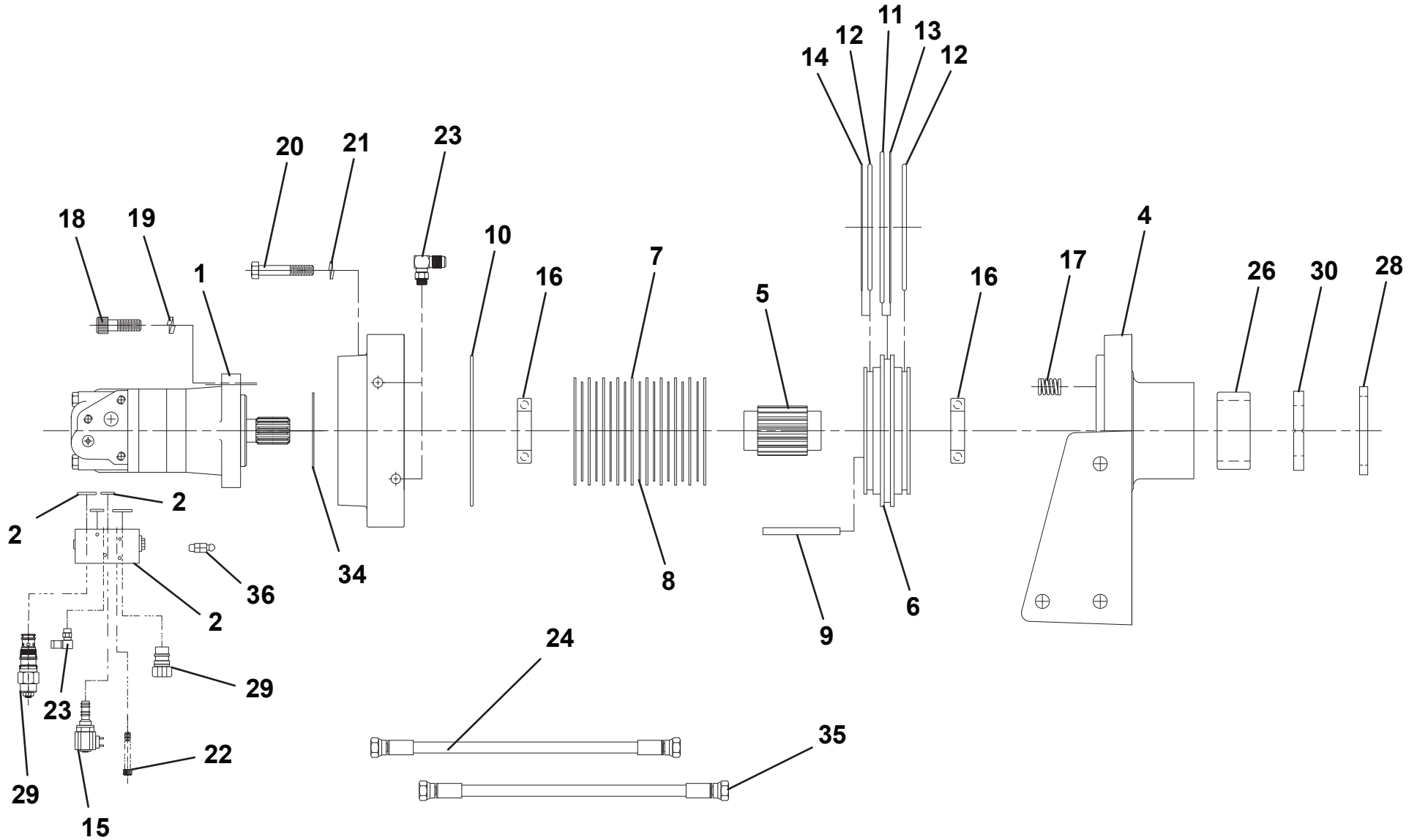
DP WINCH 35K - 7970000067 - (PRIOR TO S/N 0230004251)



DP WINCH 35K - 1001210256 - (S/N 0230004251 TO PRESENT)

ITEM	PART NO.	DESCRIPTION	QTY	REV
		Motor End Assembly	Ref	
1	70050399	Motor, Hydraulic	1	
2	70050368	Valve, Counterbalance	1	
3	9571960006	Housing, Brake	1	
4	9177960004	Support, Motorend	1	
5	9806960019	Shaft	1	
6	9698960008	Piston	1	
7	9706960023	Plate	10	
8	70051302	Plate	9	
9	9691960021	Pin	2	
10	70051307	O-Ring	1	
11	70051305	Ring	1	
12	70051303	O-Ring	2	
13	70051306	Ring	1	
14	70051304	O-Ring	1	
15	70050371	Valve, Cartridge	1	
16	9082960013	Bearing	2	
17	9843960024	Spring	12	
18	7118181205	Capscrew, 0.50" - 13NC x 1.50"	2	
19	7950180800	Washer, 0.50" ID	2	
20	7118172050	Capscrew, 0.43" - 14NC x 2.50"	6	
21	7950170000	Washer, 0.43" ID	6	
22	70050370	Capscrew, 0.38" - 24NC X 2.50"	4	
23	7445040445	Fitting	3	
24	70050372	Hose	1	
25	70050401	Tag	1	
26	9082960018	Bearing	1	
28	9796960121	Seal	1	
29	9935960026	Cartridge	2	
30	9949960028	Washer	1	
34	9796960090	O-Ring	1	
35	70051309	O-Ring	1	
36	9443960006	Fitting	1	

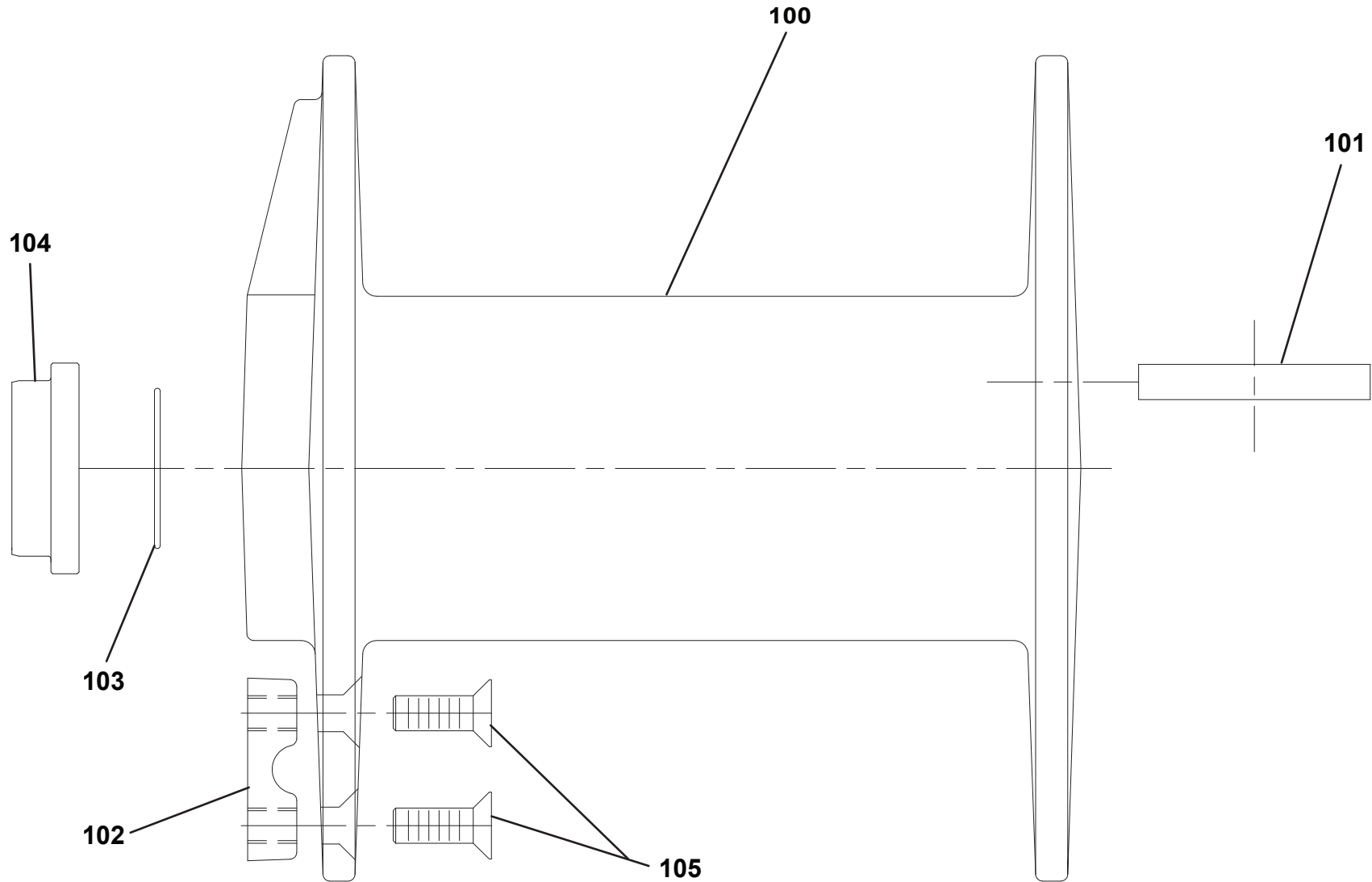
DP WINCH 35K - 1001210256 - (S/N 0230004251 TO PRESENT)



DP WINCH 35K - 1001210256 - (PRIOR TO S/N 0230004251)

ITEM	PART NO.	DESCRIPTION	QTY	REV
		Drum Assembly	Ref	
100	9970960020	Drum	1	
101	9575960012	Key - Drum	2	
102	9280960002	Clip - Cable	1	
103	9796960089	O-Ring	1	
104	9831960018	Spacer	1	
105	7110201423	Capscrew, 0.63"-11NC X 1.75"	2	

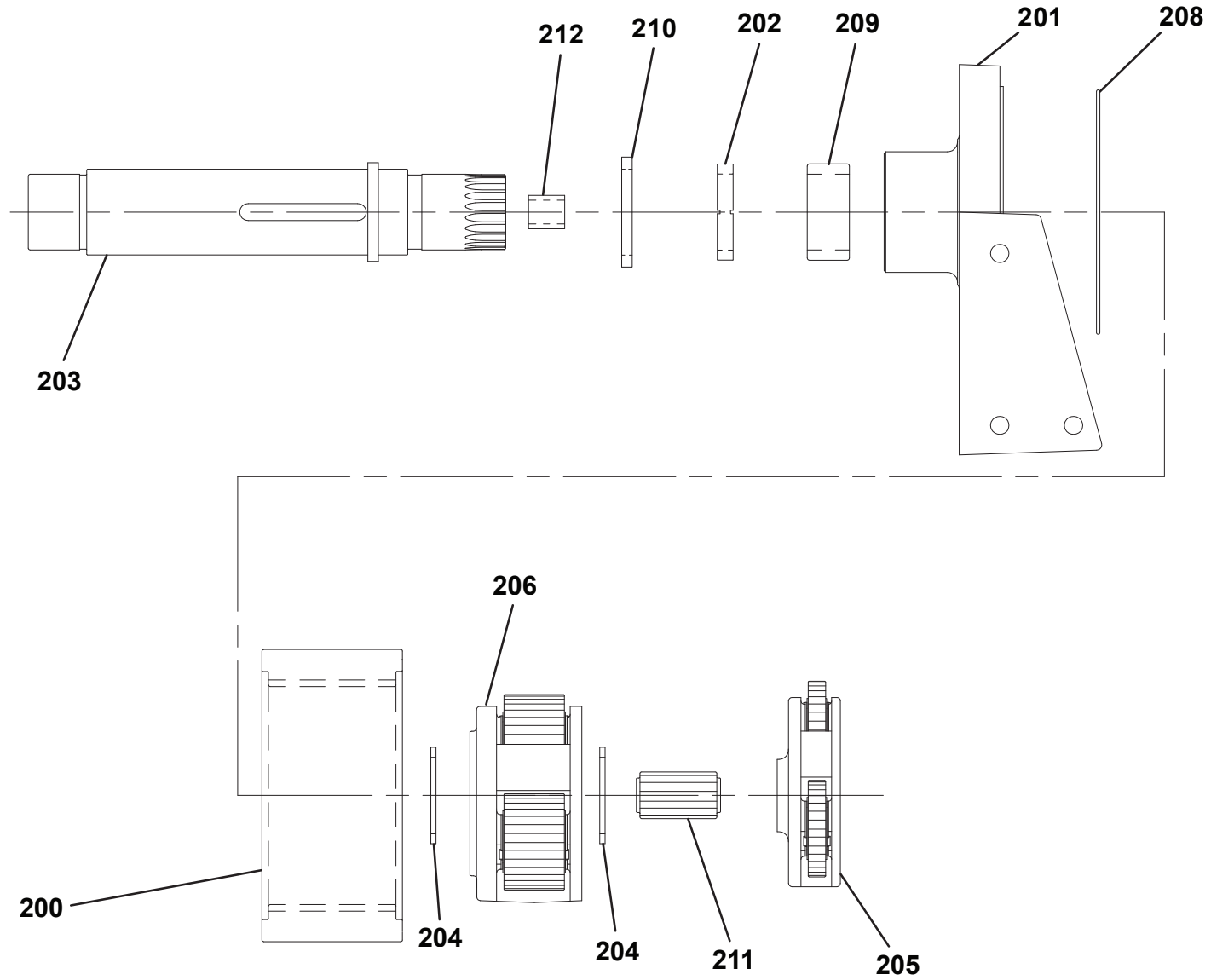
DP WINCH 35K - 1001210256 - (PRIOR TO S/N 0230004251)



DP WINCH 35K - 1001210256 - (PRIOR TO S/N 0230004251)

ITEM	PART NO.	DESCRIPTION	QTY	REV
		Gear End Assembly	Ref	
200	70050991	Gear - Ring	1	
201	9177960003	Support - Gear End	1	
202	9949960028	Washer - Thrust - Nylon - 3.81 x .406	1	
203	9806960021	Shaft - Output	1	
204	9949960027	Washer - Thrust- Nylon - 3.50" O.D. x 0.18"	2	
205	9472960052	Assembly - Carrier - Planetary - Primary	1	
206	70050992	Carrier - Assembly - Secondary	1	
207	9330960006	Label - Warning (Not Shown)	1	
208	9796960120	O-Ring - 8.75" I.D. x .012" Section	1	
209	9082960018	Bearing - Roller - Torrington	1	
210	9796960121	Seal - Shaft - 3.12" ID x 4" OD x 0.38 Thick	1	
211	70050993	Gear - Sun - 15 Teeth	1	
212	9209960025	Bushing - 1.00" I.D. x 1.25" OD x 1.00" LG	1	

DP WINCH 35K - 1001210256 - (PRIOR TO S/N 0230004251)

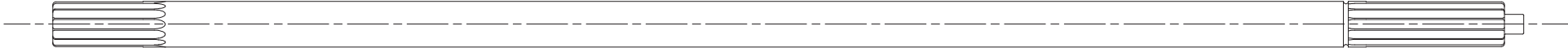


DP WINCH 35K - 1001210256 - (PRIOR TO S/N 0230004251)

ITEM	PART NO.	DESCRIPTION	QTY	REV
300	70050994	Input Shaft Assembly Input - Shaft	Ref 1	

DP WINCH 35K - 1001210256 - (PRIOR TO S/N 0230004251)

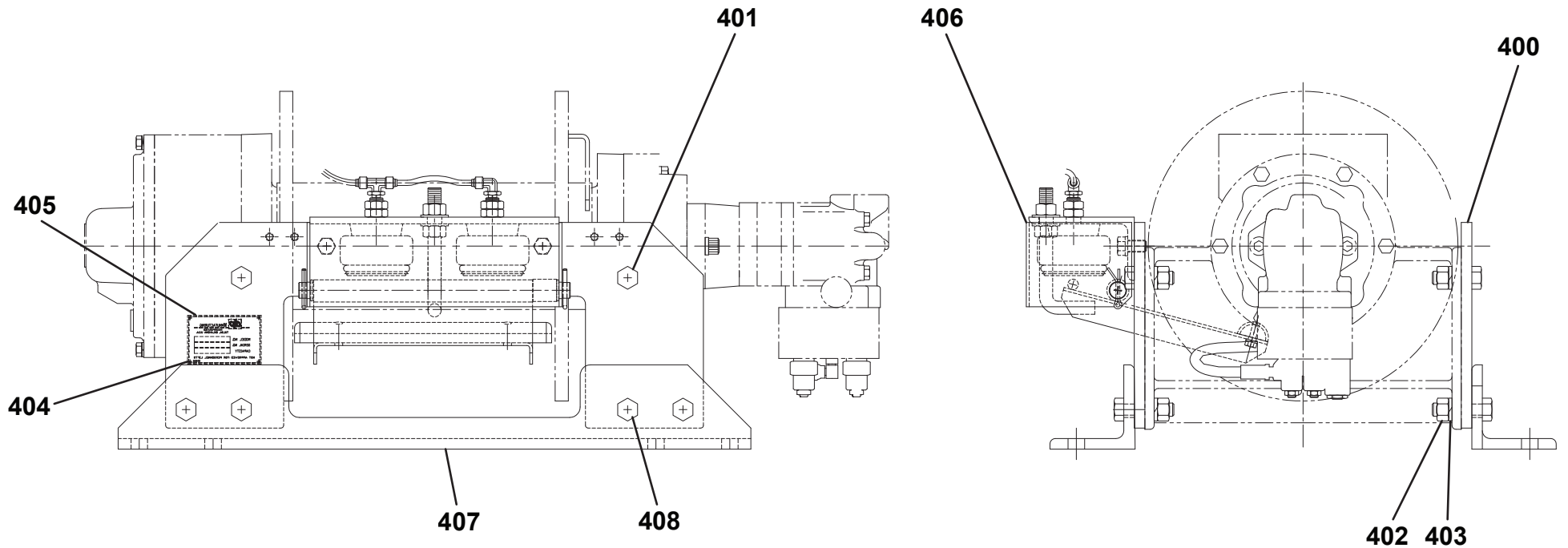
300



DP WINCH 35K - 1001210256 - (PRIOR TO S/N 0230004251)

ITEM	PART NO.	DESCRIPTION	QTY	REV
		Base Mount Assembly	Ref	
400	9073960003	Base Mount	2	
401	7115201850	Capscrew 0.63"-11NC x 2.25"	4	
402	7660200001	Nut .63"-11NC	12	
403	7950200000	Lockwasher .63"	12	
404	70050147	Rivet	4	
405	70050384	Plate	1	
406	70050398	Kit - Cable Hold Down	1	
407	9073960004	Base Mount	2	
408	7115202250	Capscrew, 0.63"-11NC x 2.75"	8	

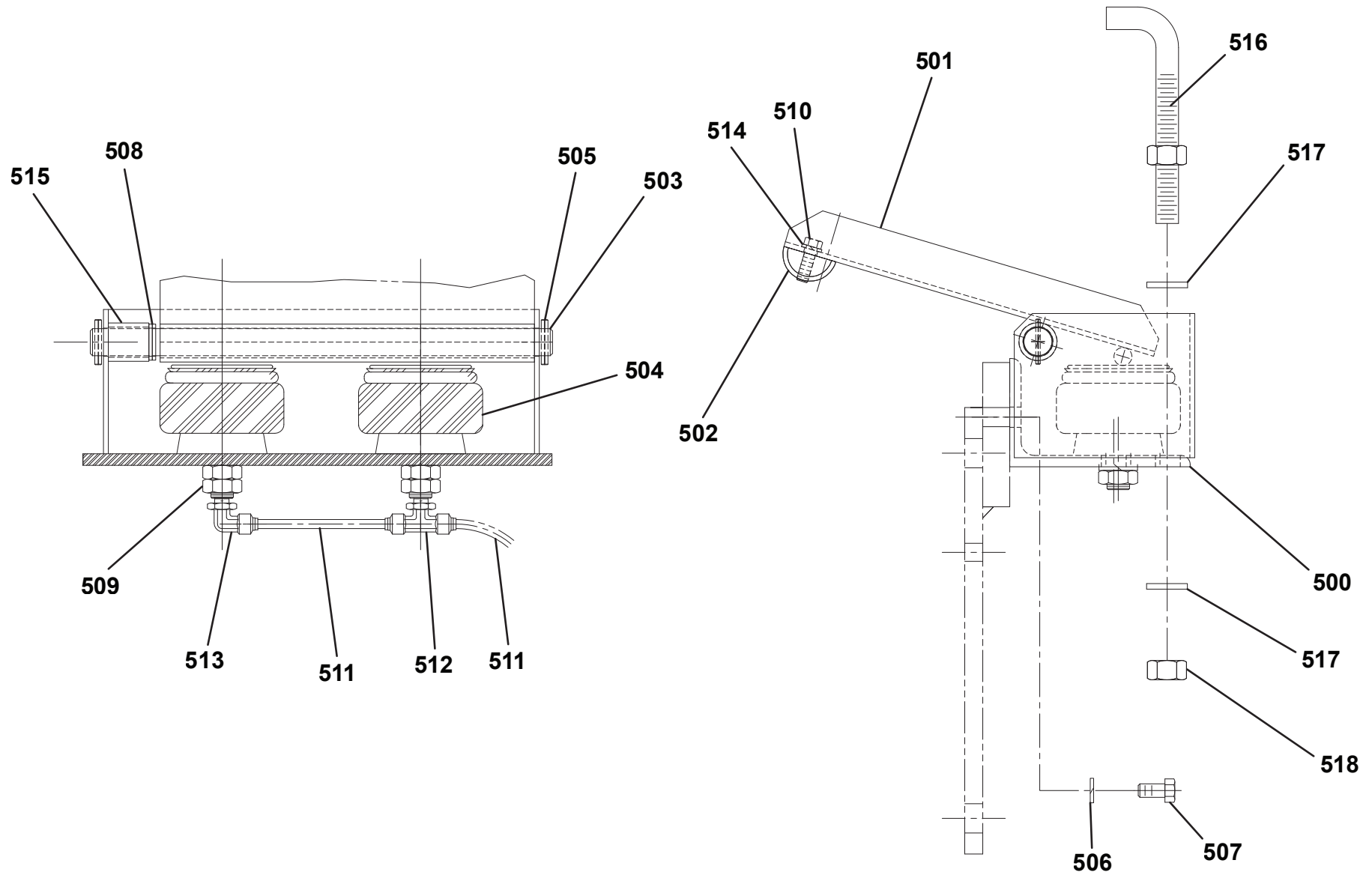
DP WINCH 35K - 1001210256 - (PRIOR TO S/N 0230004251)



DP WINCH 35K - 1001210256 - (PRIOR TO S/N 0230004251)

ITEM	PART NO.	DESCRIPTION	QTY	REV
		Cable Hold Down Assembly	Ref	
500	9178960011	Bracket - Mounting	1	
501	9020960002	Arm - Pivot	1	
502	9064960007	Bar - Rub - 1.50" - Half Round	1	
503	9691960019	Pin, Pivot	1	
504	9843960023	Spring - Cushion - Air - Goodyear	2	
505	9690960039	Pin, Cotter 0.19" x 1.50"	2	
506	7950180000	Lockwasher, 0.59" ID Nom Reg	2	
507	7115181650	Capscrew, 0.50"-13NC x 2.00"	2	
508	9949960012	Washer - Thrust	2	
509	7660200200	Nut, 0.63'-11NC Hex Jam	4	
510	9120960063	Capscrew, 0.31"-18NC x 1.00"	2	
511	9912960010	Tubing - Nylon - 0.25" OD	3	
512	7443000205	Adapter - Tee - Branch	3	
513	7443000204	Adapter - 90 Degree	1	
514	9949960050	Lockwasher, 0.31" ID	2	
515	9831960009	Spacer - Pin - 1.12"	1	
516	9120960019	Bolt - Anchor	1	
517	7950200151	Flatwasher, 0.63" ID	2	
518	7660200001	Nut .63"-11NC GR5 Hex - Plated	1	

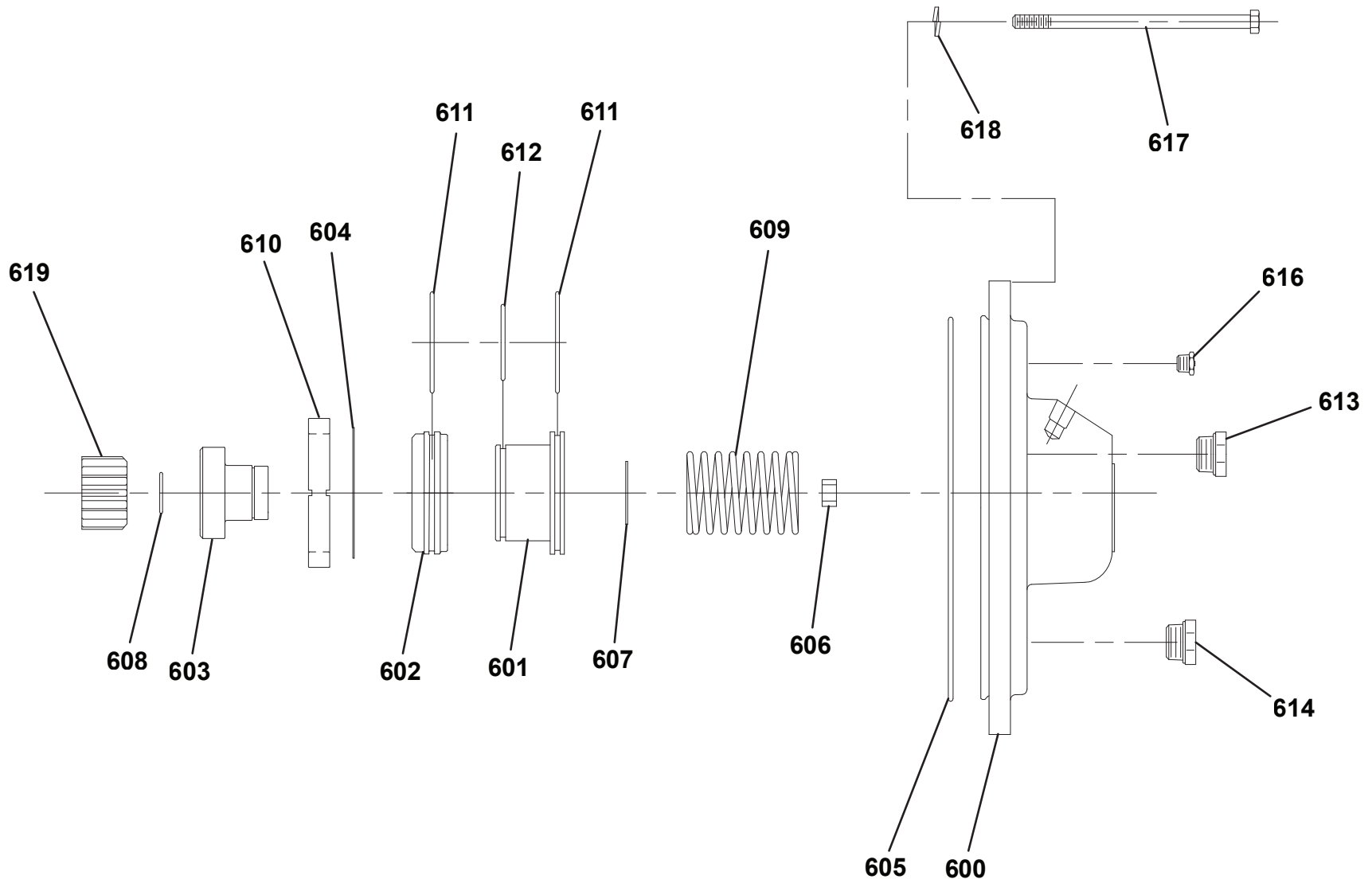
DP WINCH 35K - 1001210256 - (PRIOR TO S/N 0230004251)



DP WINCH 35K - 1001210256 - (PRIOR TO S/N 0230004251)

ITEM	PART NO.	DESCRIPTION	QTY	REV
		Gear End Cover Assembly	Ref	
600	9314960022	Cover	1	
601	9698960016	Piston	1	
602	9698960015	Piston	1	
603	9309960011	Coupling	1	
604	9754960026	Retaining Ring	1	
605	9796960120	O-Ring	1	
606	9209960026	Bushing	1	
607	9754960046	Retaining Ring	1	
608	9754960047	Retaining Ring	1	
609	9843960032	Spring	1	
610	9949960028	Washer	1	
611	9796960119	O-Ring	2	
612	9796960118	O-Ring	1	
613	9701960011	Plug	1	
613	70050998	O-Ring	1	
614	9701960012	Plug	1	
614	70050998	O-Ring	1	
615	9701960018	Plug (Not Shown)	1	
616	9183960001	Vent	1	
617	70050995	Capscrew, 0.38"-16NC x 5.50"	12	
618	7950160000	Lockwasher 0.38" ID	12	
619	9472960054	Gear	1	

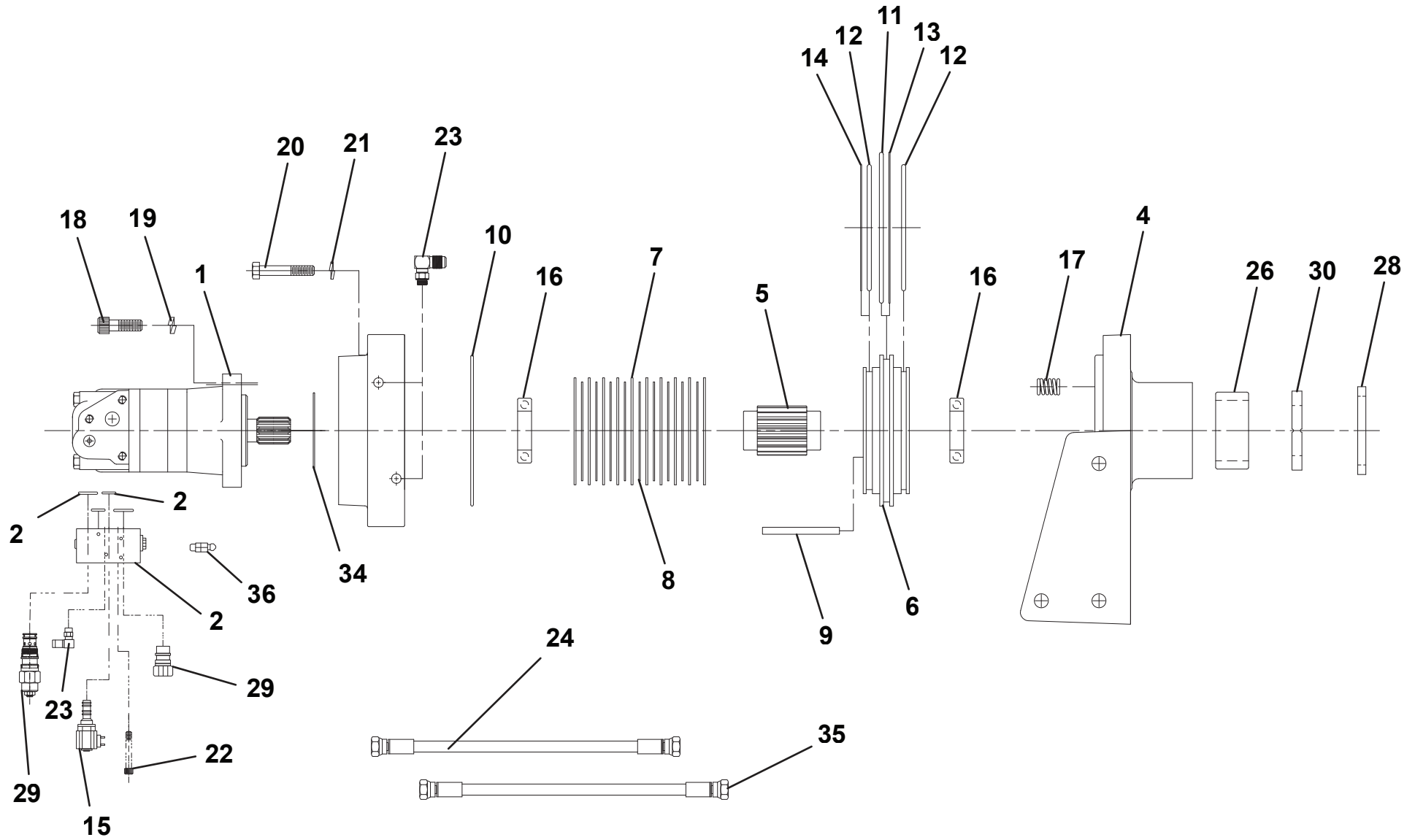
DP WINCH 35K - 1001210256 - (PRIOR TO S/N 0230004251)



DP WINCH 35K - 1001210257 - (S/N 0230004251 TO PRESENT)

ITEM	PART NO.	DESCRIPTION	QTY	REV
		Motor End Assembly	Ref	
1	70050399	Motor, Hydraulic	1	
2	70050368	Valve, Counterbalance	1	
3	9571960006	Housing, Brake	1	
4	9177960004	Support, Motorend	1	
5	9806960019	Shaft	1	
6	9698960008	Piston	1	
7	9706960023	Plate	10	
8	70051302	Plate	9	
9	9691960021	Pin	2	
10	70051307	O-Ring	1	
11	70051305	Ring	1	
12	70051303	O-Ring	2	
13	70051306	Ring	1	
14	70051304	O-Ring	1	
15	70050371	Valve, Cartridge	1	
16	9082960013	Bearing	2	
17	9843960024	Spring	12	
18	7118181205	Capscrew, 0.50" - 13NC x 1.50"	2	
19	7950180800	Washer, 0.50" ID	2	
20	7118172050	Capscrew, 0.43" - 14NC x 2.50"	6	
21	7950170000	Washer, 0.43" ID	6	
22	70050370	Capscrew, 0.38" - 24NC X 2.50"	4	
23	7445040445	Fitting	3	
24	70050372	Hose	1	
25	70050401	Tag	1	
26	9082960018	Bearing	1	
28	9796960121	Seal	1	
29	9935960026	Cartridge	2	
30	9949960028	Washer	1	
34	9796960090	O-Ring	1	
35	70051309	O-Ring	1	
36	9443960006	Fitting	1	

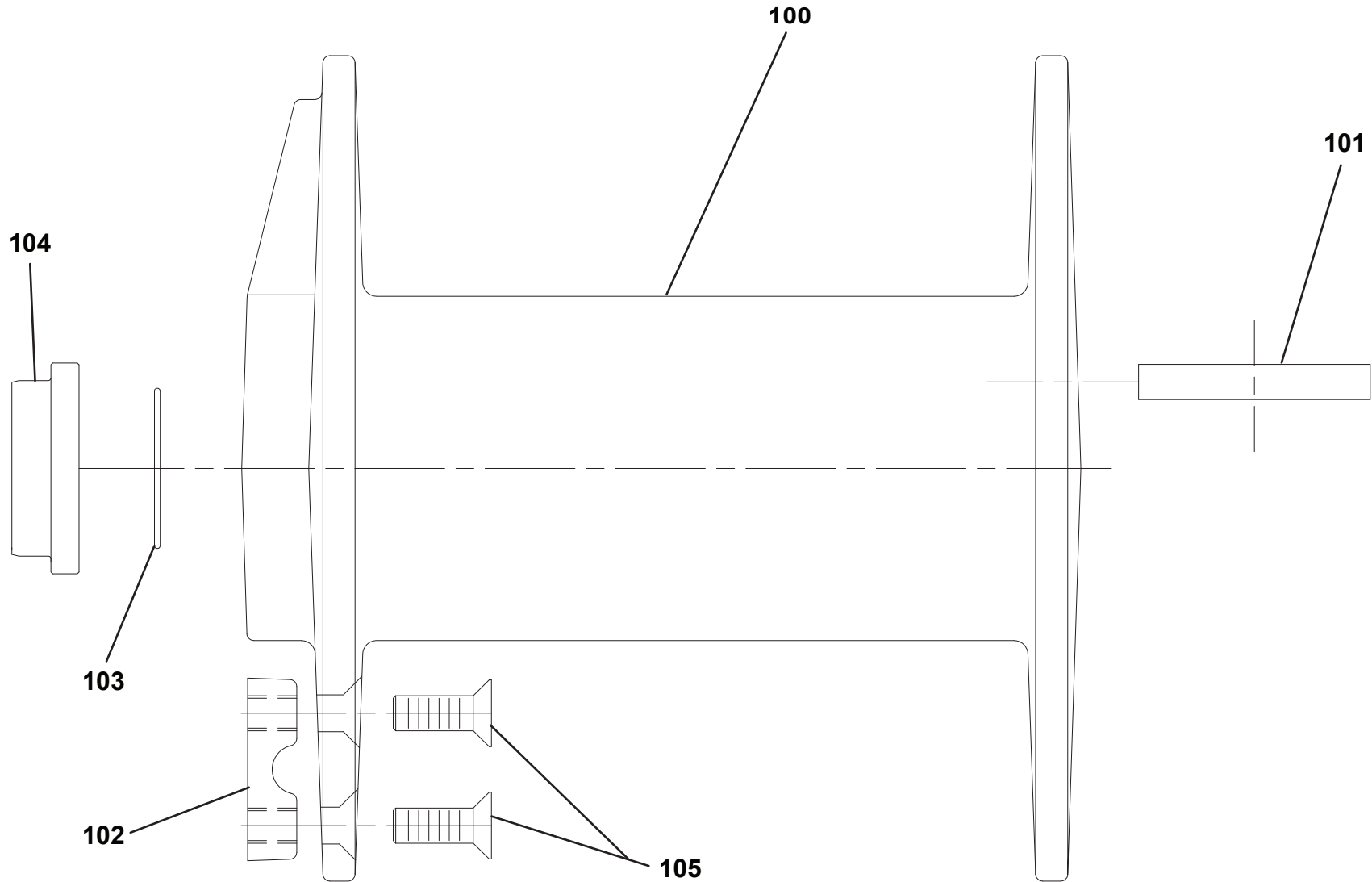
DP WINCH 35K - 1001210257 - (S/N 0230004251 TO PRESENT)



DP WINCH 35K - 1001210257 - (PRIOR TO S/N 0230004251)

ITEM	PART NO.	DESCRIPTION	QTY	REV
		Drum Assembly	Ref	
100	9970960020	Drum	1	
101	9575960012	Key - Drum	2	
102	9280960002	Clip - Cable	1	
103	9796960089	O-Ring	1	
104	9831960018	Spacer	1	
105	7110201423	Capscrew, 0.63"-11NC X 1.75"	2	

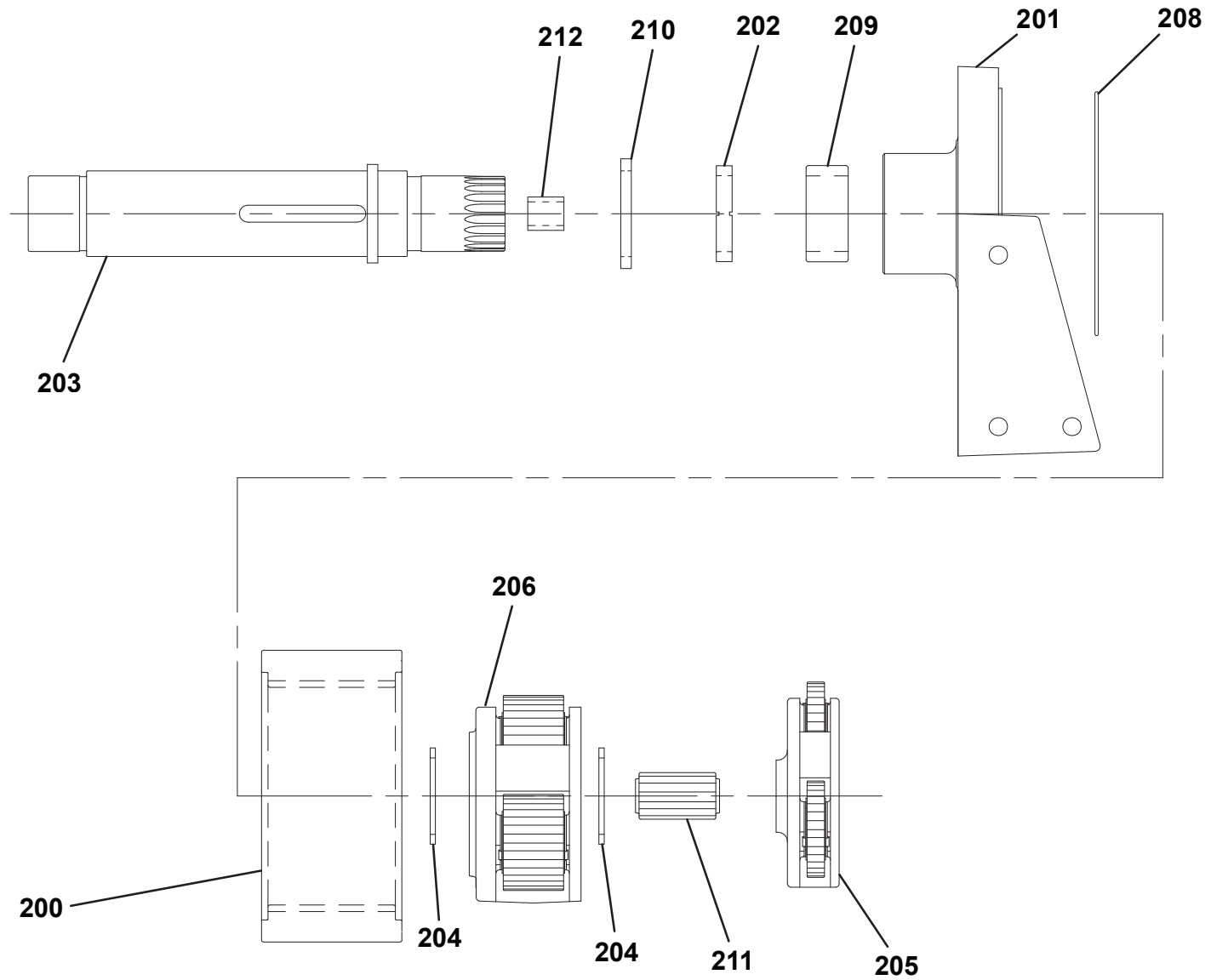
DP WINCH 35K - 1001210257 - (PRIOR TO S/N 0230004251)



DP WINCH 35K - 1001210257 - (PRIOR TO S/N 0230004251)

ITEM	PART NO.	DESCRIPTION	QTY	REV
		Gear End Assembly	Ref	
200	70050991	Gear - Ring	1	
201	9177960003	Support - Gear End	1	
202	9949960028	Washer - Thrust - Nylon - 3.81 x .406	1	
203	9806960021	Shaft - Output	1	
204	9949960027	Washer - Thrust- Nylon - 3.50" O.D. x 0.18"	2	
205	9472960052	Assembly - Carrier - Planetary - Primary	1	
206	70050992	Carrier - Assembly - Secondary	1	
207	9330960006	Label - Warning (Not Shown)	1	
208	9796960120	O-Ring - 8.75" I.D. x .012" Section	1	
209	9082960018	Bearing - Roller - Torrington	1	
210	9796960121	Seal - Shaft - 3.12" ID x 4" OD x 0.38 Thick	1	
211	70050993	Gear - Sun - 15 Teeth	1	
212	9209960025	Bushing - 1.00" I.D. x 1.25" OD x 1.00" LG	1	

DP WINCH 35K - 1001210257 - (PRIOR TO S/N 0230004251)

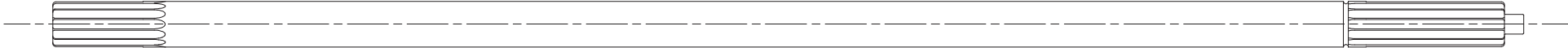


DP WINCH 35K - 1001210257 - (PRIOR TO S/N 0230004251)

ITEM	PART NO.	DESCRIPTION	QTY	REV
300	70050994	Input Shaft Assembly Input - Shaft	Ref 1	

DP WINCH 35K - 1001210257 - (PRIOR TO S/N 0230004251)

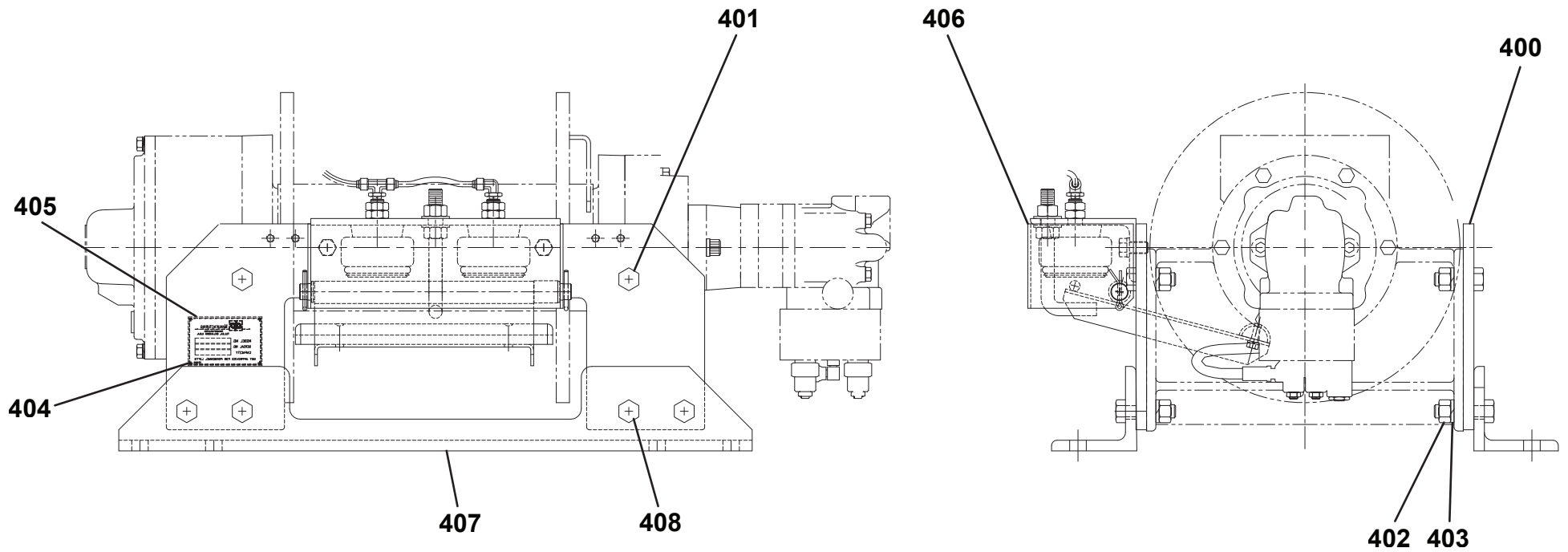
300



DP WINCH 35K - 1001210257 - (PRIOR TO S/N 0230004251)

ITEM	PART NO.	DESCRIPTION	QTY	REV
		Base Mount Assembly	Ref	
400	9073960003	Base Mount	2	
401	7115201850	Capscrew, 0.63"-11NC x 2.25"	4	
402	7660200001	Nut, 0.63"-11NC	12	
403	7950200000	Lockwasher, 0.63" ID	12	
404	70050147	Rivet	4	
405	70050384	Plate	1	
406	70050398	Kit - Cable Hold Down	1	
407	9073960004	Base Mount	2	
408	7115202250	Capscrew, 0.63"-11NC x 2.75"	8	

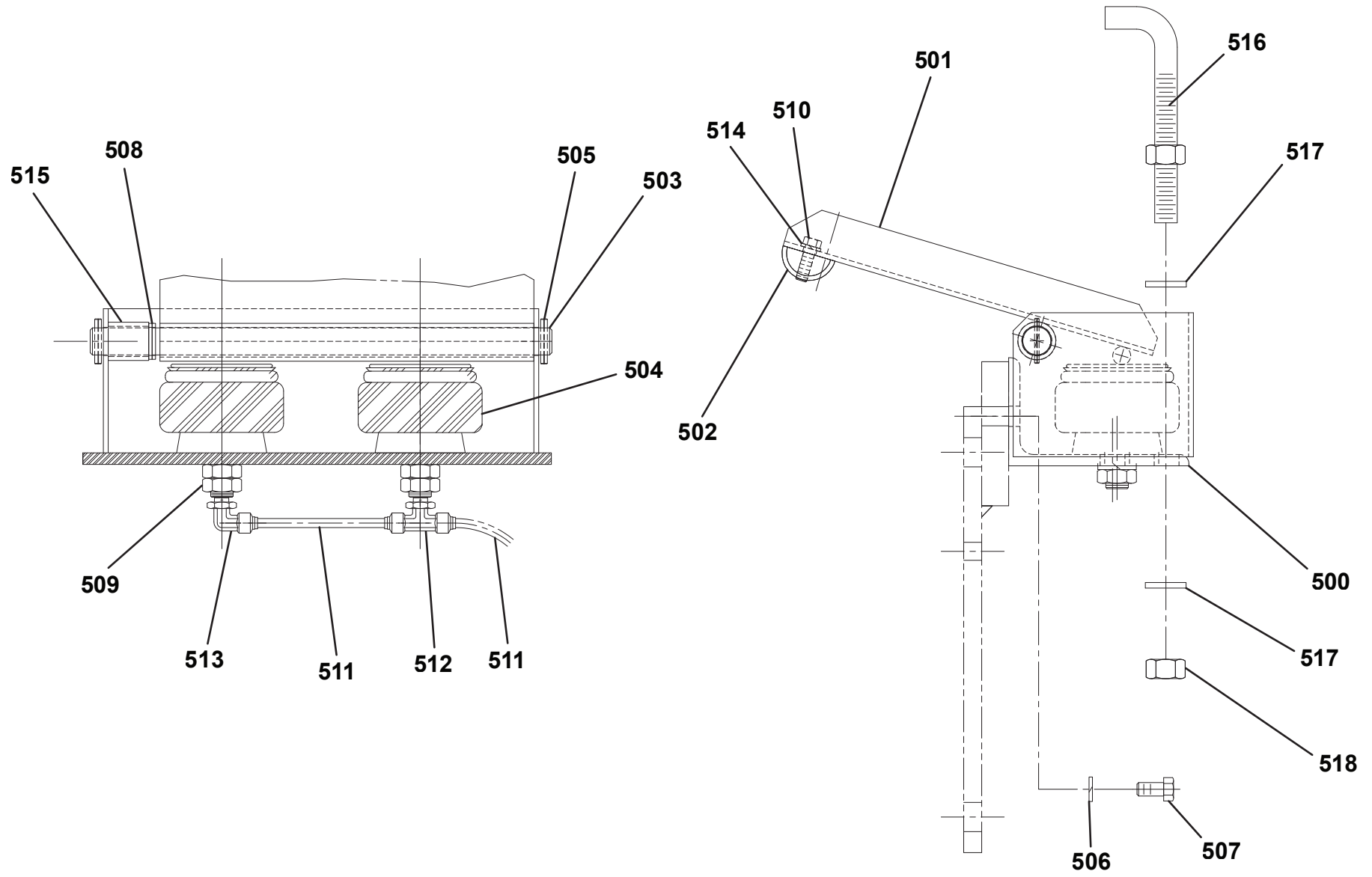
DP WINCH 35K - 1001210257 - (PRIOR TO S/N 0230004251)



DP WINCH 35K - 1001210257 - (PRIOR TO S/N 0230004251)

ITEM	PART NO.	DESCRIPTION	QTY	REV
		Cable Hold Down Assembly	Ref	
500	9178960011	Bracket - Mounting	1	
501	9020960002	Arm - Pivot	1	
502	9064960007	Bar - Rub - 1.50" - Half Round	1	
503	9691960019	Pin, Pivot	1	
504	9843960023	Spring - Cushion - Air - Goodyear	2	
505	9690960039	Pin, Cotter 0.19" x 1.50"	2	
506	7950180000	Lockwasher, 0.59" ID Nom Reg	2	
507	7115181650	Capscrew, 0.50"-13NC x 2.00"	2	
508	9949960012	Washer - Thrust	2	
509	7660200200	Nut, 0.63'-11NC Hex Jam	4	
510	9120960063	Capscrew, 0.31"-18NC x 1.00"	2	
511	9912960010	Tubing - Nylon - 0.25" OD	3	
512	7443000205	Adapter - Tee - Branch	3	
513	7443000204	Adapter - 90 Degree	1	
514	9949960050	Lockwasher, 0.31" ID	2	
515	9831960009	Spacer - Pin - 1.12"	1	
516	9120960019	Bolt - Anchor	1	
517	7950200151	Flatwasher, 0.63" ID	2	
518	7660200001	Nut .63"-11NC GR5 Hex - Plated	1	

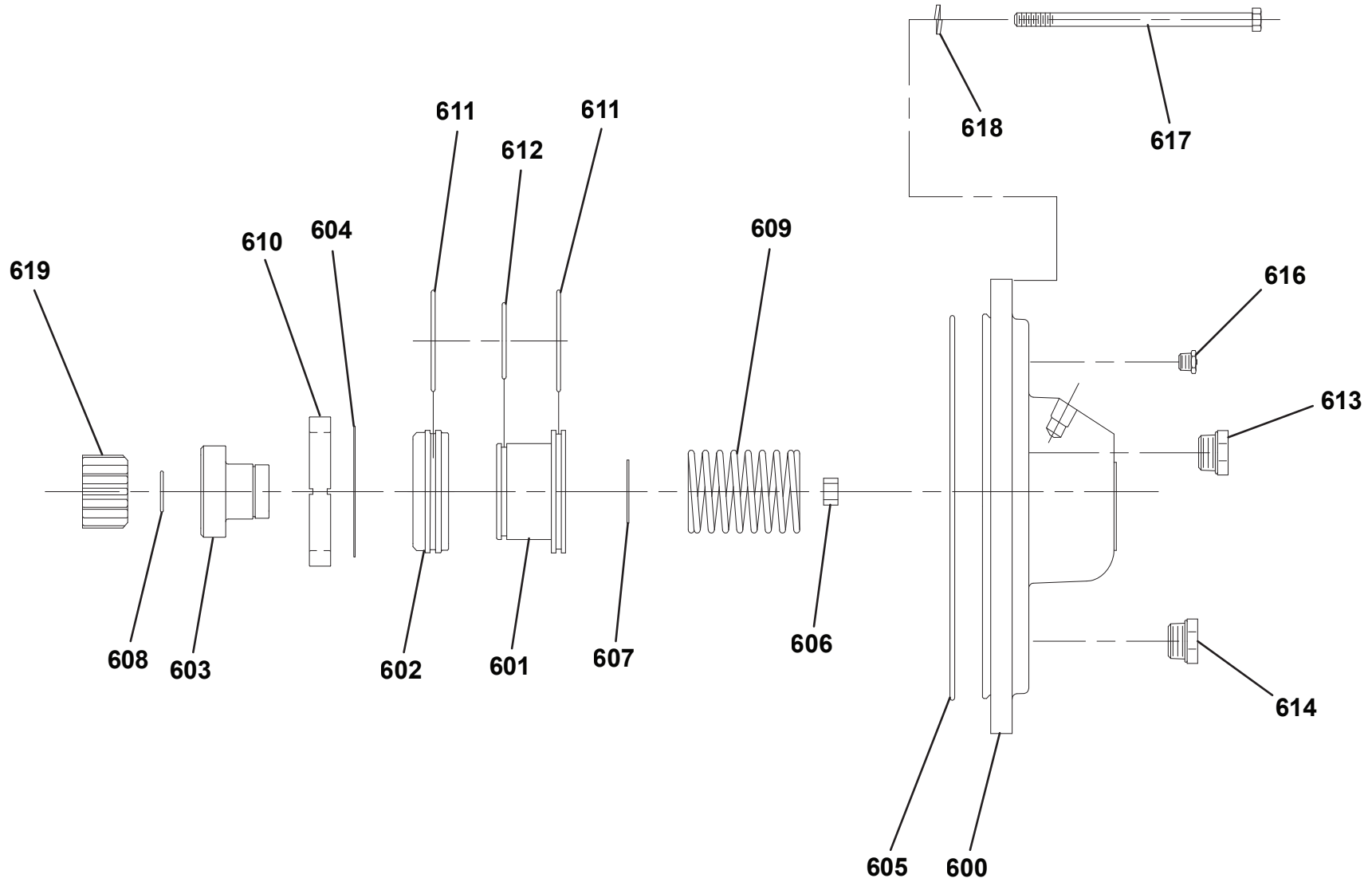
DP WINCH 35K - 1001210257 - (PRIOR TO S/N 0230004251)



DP WINCH 35K - 1001210257 - (PRIOR TO S/N 0230004251)

ITEM	PART NO.	DESCRIPTION	QTY	REV
		Gear End Cover Assembly	Ref	
600	9314960022	Cover - Gear End	1	
601	9698960016	Piston	1	
602	9698960015	Piston	1	
603	9309960011	Coupling - Drive	1	
604	9754960026	Retaining Ring	1	
605	9796960120	O-Ring	1	
606	9209960026	Bushing	1	
607	9754960046	Retaining Ring	1	
608	9754960047	Retaining Ring	1	
609	9843960032	Spring - Compression	1	
610	9949960028	Washer	1	
611	9796960119	O-Ring	2	
612	9796960118	O-Ring	1	
613	9701960011	Plug	1	
613	70050998	O-Ring	1	
614	9701960012	Plug	1	
614	70050998	O-Ring	1	
615	9701960018	Plug (Not Shown)	1	
616	9183960001	Vent - Relief	1	
617	70050995	Capscrew, 0.38"-16NC x 5.50"	12	
618	7950160000	Lockwasher 0.38" ID	12	
619	9472960054	Gear	1	

DP WINCH 35K - 1001210257 - (PRIOR TO S/N 0230004251)



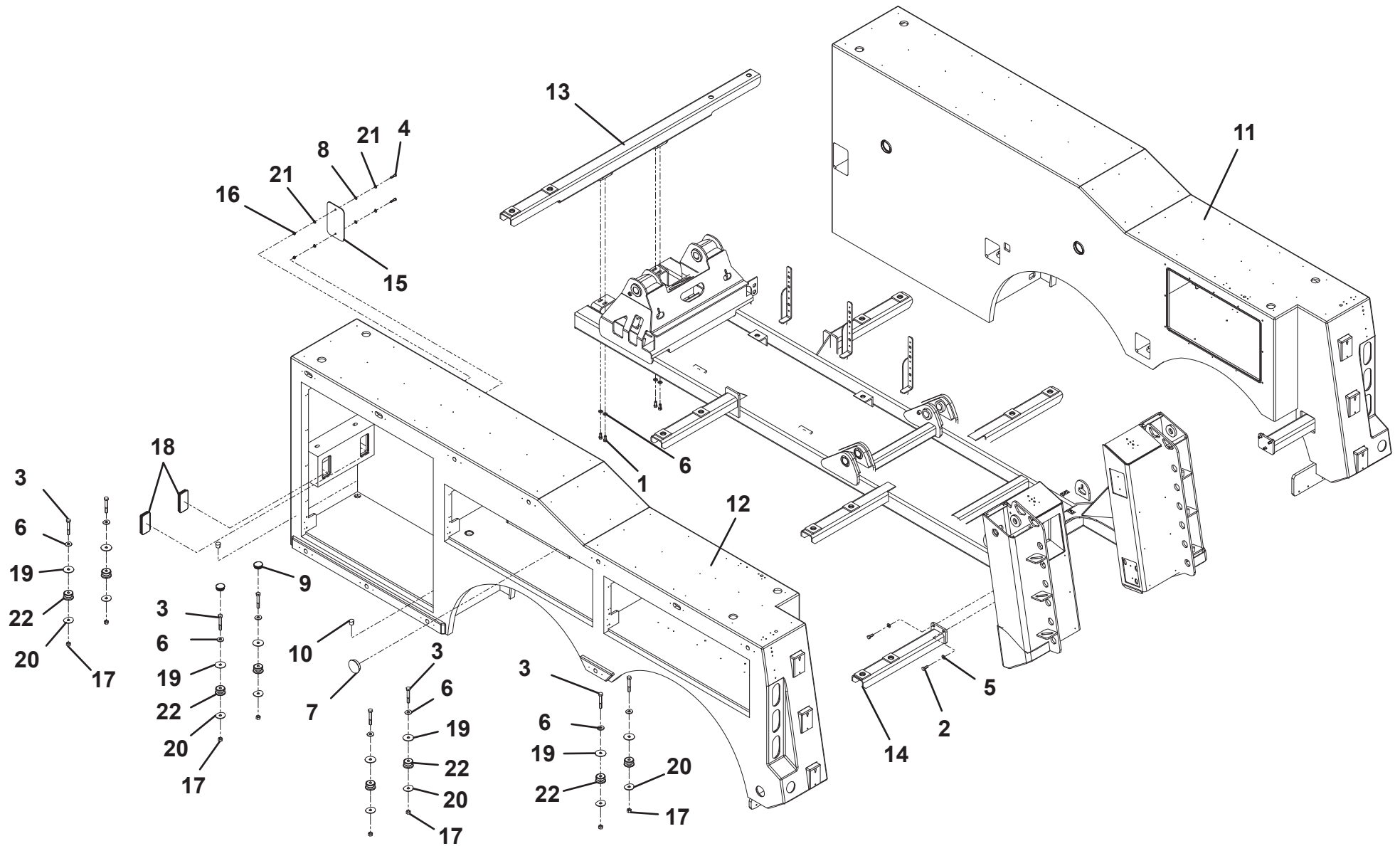
THIS PAGE INTENTIONALLY LEFT BLANK

SECTION 3 - BODY

BODY INSTALLATION - TANDEM

ITEM	PART NO.	DESCRIPTION	QTY	REV
	1001220340	Body Installation - Tandem	Ref	B
1	641809	Capscrew, 0.50"-13 X 1.13"	4	
2	641810	Capscrew, 0.50"-13 X 1.25"	6	
3	642032	Capscrew, 0.31"-11 X 4.00"	16	
4	1001168993	Capscrew, 0.38"-16 X 1.50"	2	
5	4711800	Washer, 0.50" ID	10	
6	4752000	Washer, 0.63" ID	16	
7	1001151789	Plug	3	
8	1001166974	Washer, 0.38" ID	2	
9	1001169078	Plug	4	
10	1001173847	Plug	4	
11	1001200919	Body, Tandem RH	1	
12	1001200920	Body, Tandem LH	1	
13	1001186935	Mount	1	
14	1001186968	Mount	2	
15	1001190557	Panel	1	
16	7660162601	Locknut, 0.38"-16NC	2	
17	7660200001	Nut, 0.63"-11NC	16	
18	7701000048	Plug	4	
19	7949000019	Washer	16	
20	7949000020	Washer	16	
21	7950160143	Flatwasher, 0.38" ID	4	
22	7636000008	Mount	16	

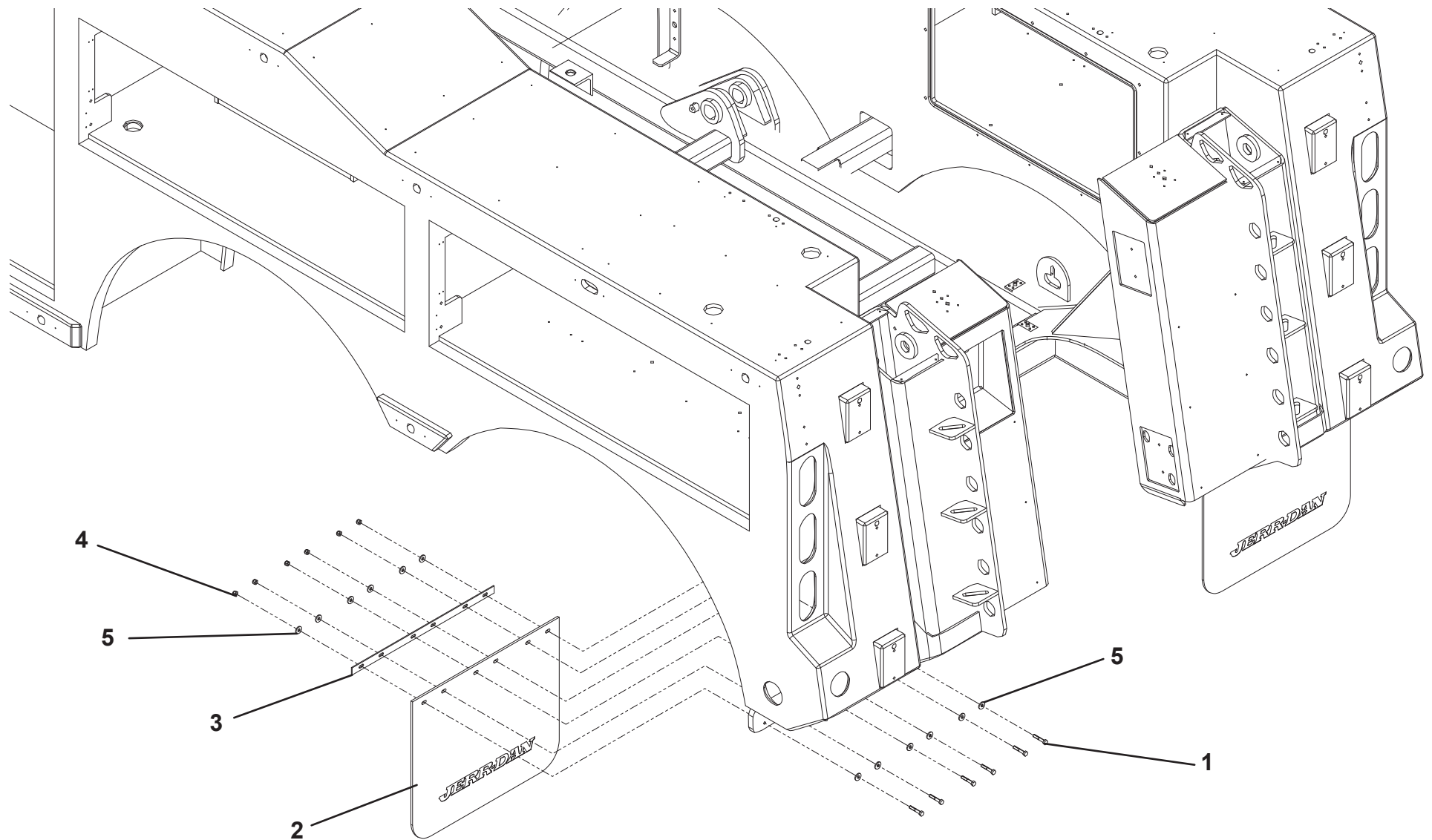
BODY INSTALLATION - TANDEM



MUDFLAP INSTALLATION - TANDEM

ITEM	PART NO.	DESCRIPTION	QTY	REV
	1001196790	Mudflap Installation - Tandem	Ref	A
1	0641514	Screw, 0.31"-18NC x 1.75"	12	
2	1001174051	Mud Flap	2	
3	4706001815	Plate	2	
4	7660152601	Locknut, 0.31"-18NC	12	
5	7950150153	Flatwasher, 0.31"	24	

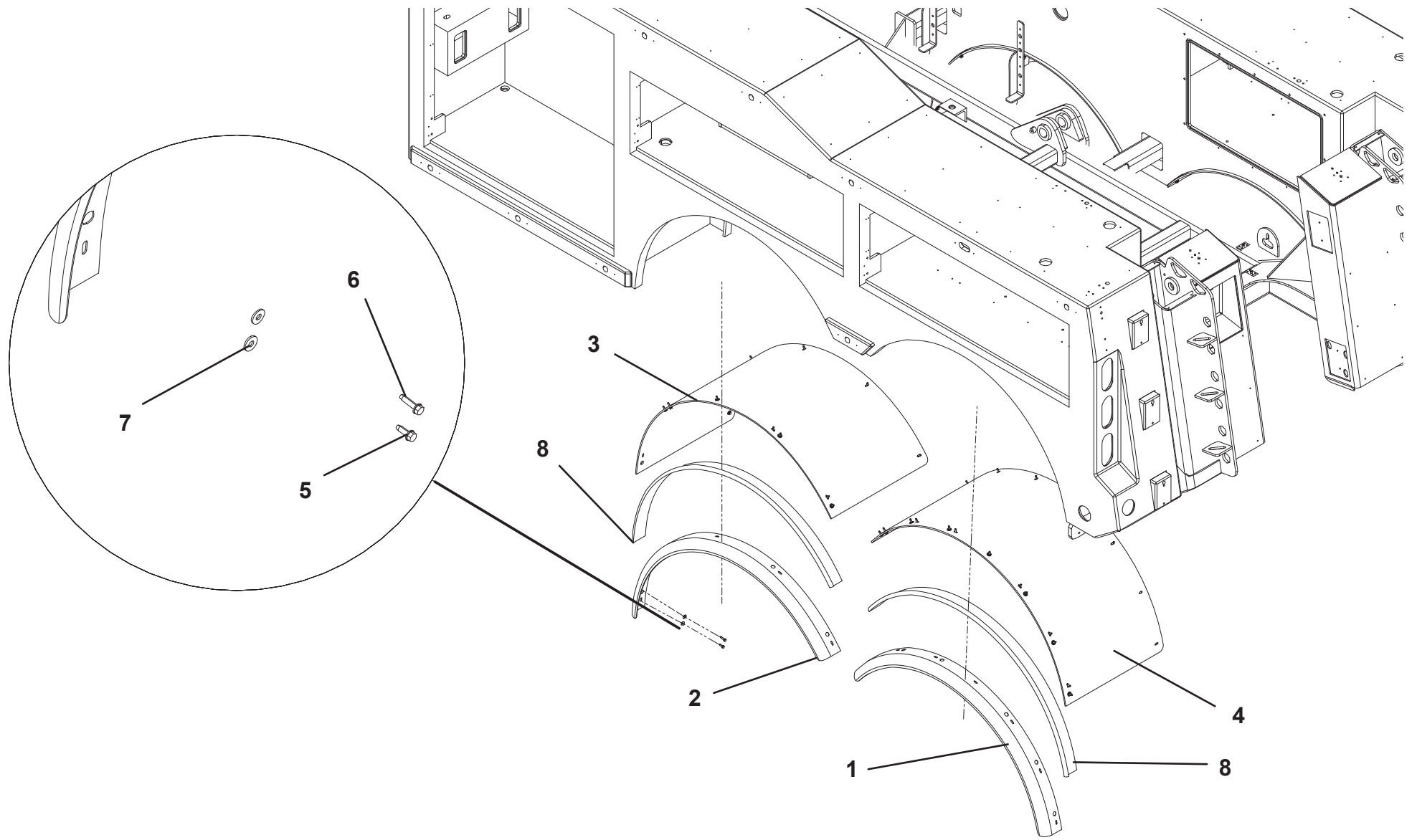
MUDFLAP INSTALLATION - TANDEM



FENDER INSTALLATION - TANDEM

ITEM	PART NO.	DESCRIPTION	QTY	REV
	1001187182	Fender Installation - Tandem	Ref	B
1	1001163358	Fender, Rear	2	
2	1001186584	Fender, Front	2	
3	1001186606	Liner, Front	2	
4	1001186608	Liner, Rear	2	
5	7790141251	Screw, 0.25" x 0.75"	24	
6	7790141651	Screw, 0.25" x 1.00"	42	
7	7950140163	Flatwasher, 0.25" ID	66	
8	1001167358	Mould	1	

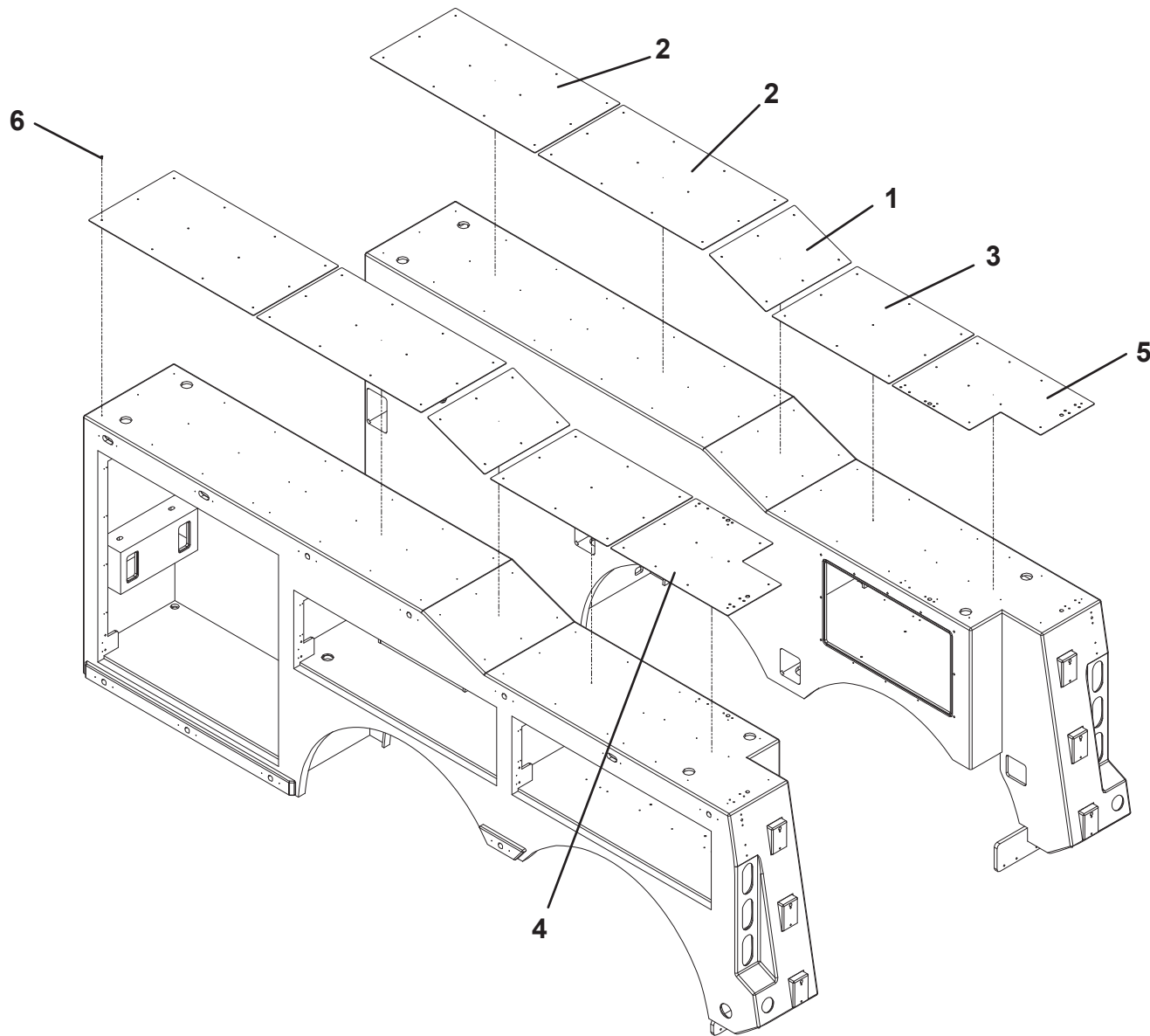
FENDER INSTALLATION - TANDEM



DIAMOND PLATE INSTALLATION - TANDEM

ITEM	PART NO.	DESCRIPTION	QTY	REV
	1001186842	Diamond Plate Installation - Tandem	Ref	B
1	1001186725	Plate	2	
2	1001186726	Plate	4	
3	1001186727	Plate	2	
4	1001186728	Plate	1	
5	1001186835	Plate	1	
6	1001192958	Screw. #10 x 0.50"	100	

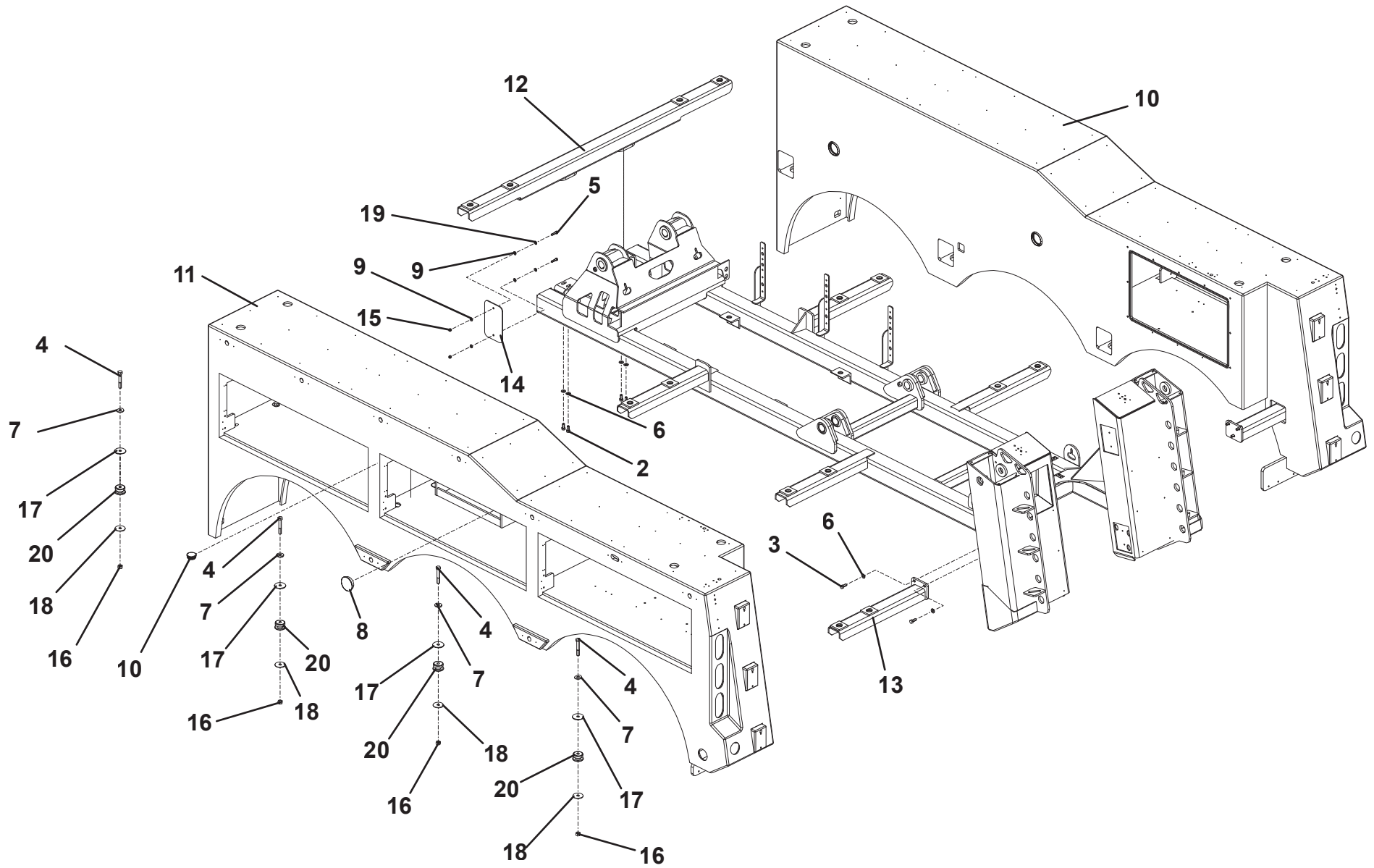
DIAMOND PLATE INSTALLATION - TANDEM



BODY INSTALLATION - TRI-AXLE

ITEM	PART NO.	DESCRIPTION	QTY	REV
	1001220342	Body Installation - Tri-Axle	Ref	B
1	641809	Capscrew, 0.50"-13 X 1.13"	4	
2	641810	Capscrew, 0.50"-13 X 1.25"	6	
3	642032	Capscrew, 0.63"-11 X 4.00"	16	
4	1001168993	Capscrew, 0.38"-16 X 1.50"	2	
5	4711800	Washer, 0.50" ID	10	
6	4752000	Washer, 0.63" ID	16	
7	1001151789	Plug	3	
8	1001166974	Washer, 0.38" ID	2	
9	1001169078	Plug	4	
10	1001200921	Body, Triaxle RH	1	
11	1001200922	Body, Triaxle LH	1	
12	1001186935	Mount	1	
13	1001186968	Mount	2	
14	1001190557	Panel	1	
15	7660162601	Locknut, 0.38"-16NC	2	
16	7660200001	Nut, 0.63"-11NC	16	
17	7949000019	Washer	16	
18	7949000020	Washer	16	
19	7950160143	Flatwasher, 0.38" ID	4	
20	7636000008	Mount	16	

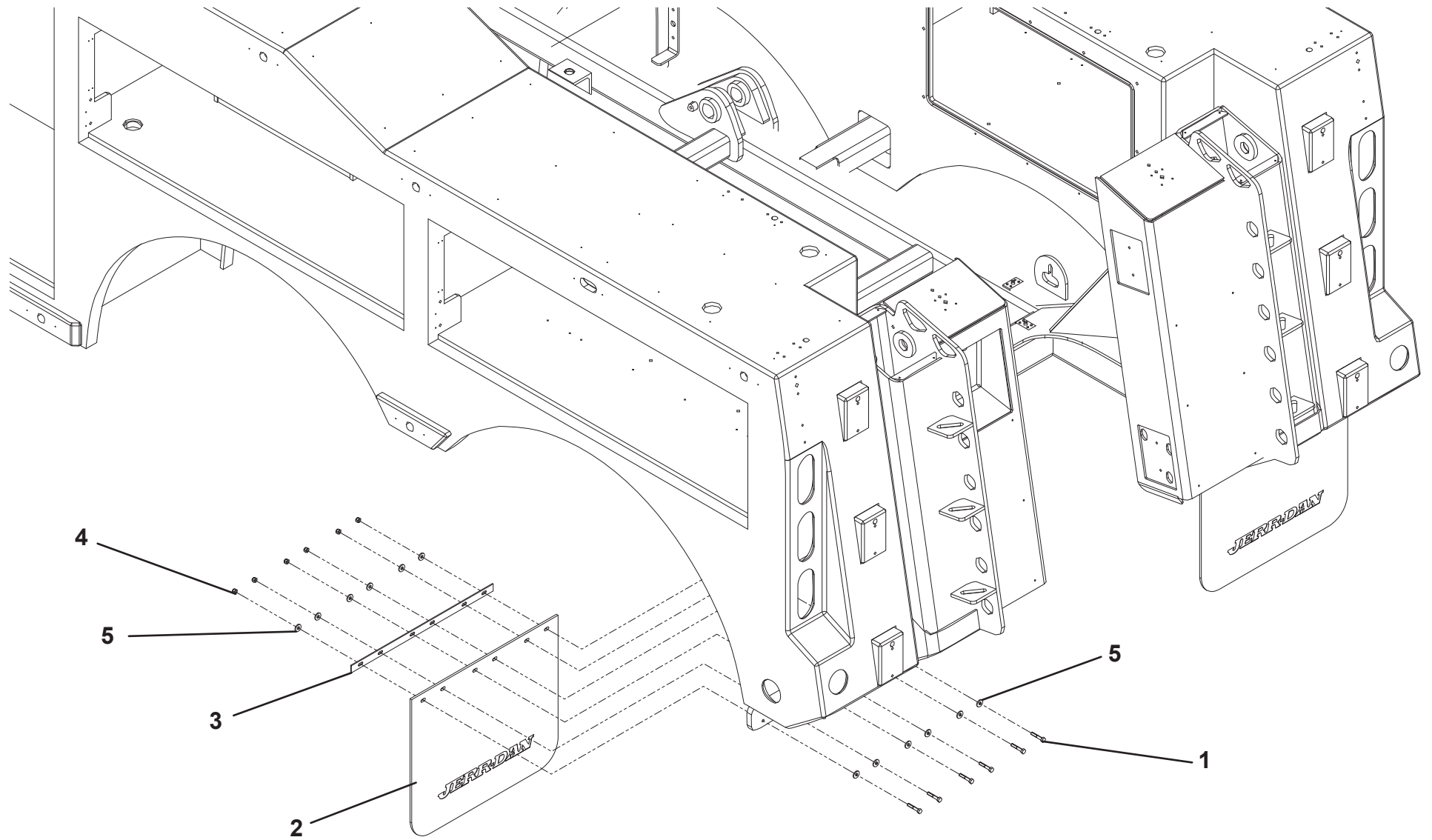
BODY INSTALLATION - TRI-AXLE



MUDFLAP INSTALLATION - TRI-AXLE

ITEM	PART NO.	DESCRIPTION	QTY	REV
	1001196790	Mudflap Installation - Tri-Axle	Ref	A
1	0641514	Screw, 0.31"-18NC x 1.75"	12	
2	1001174051	Mud Flap	2	
3	4706001815	Plate	2	
4	7660152601	Locknut, 0.31"-18NC	12	
5	7950150153	Flatwasher, 0.31"	24	

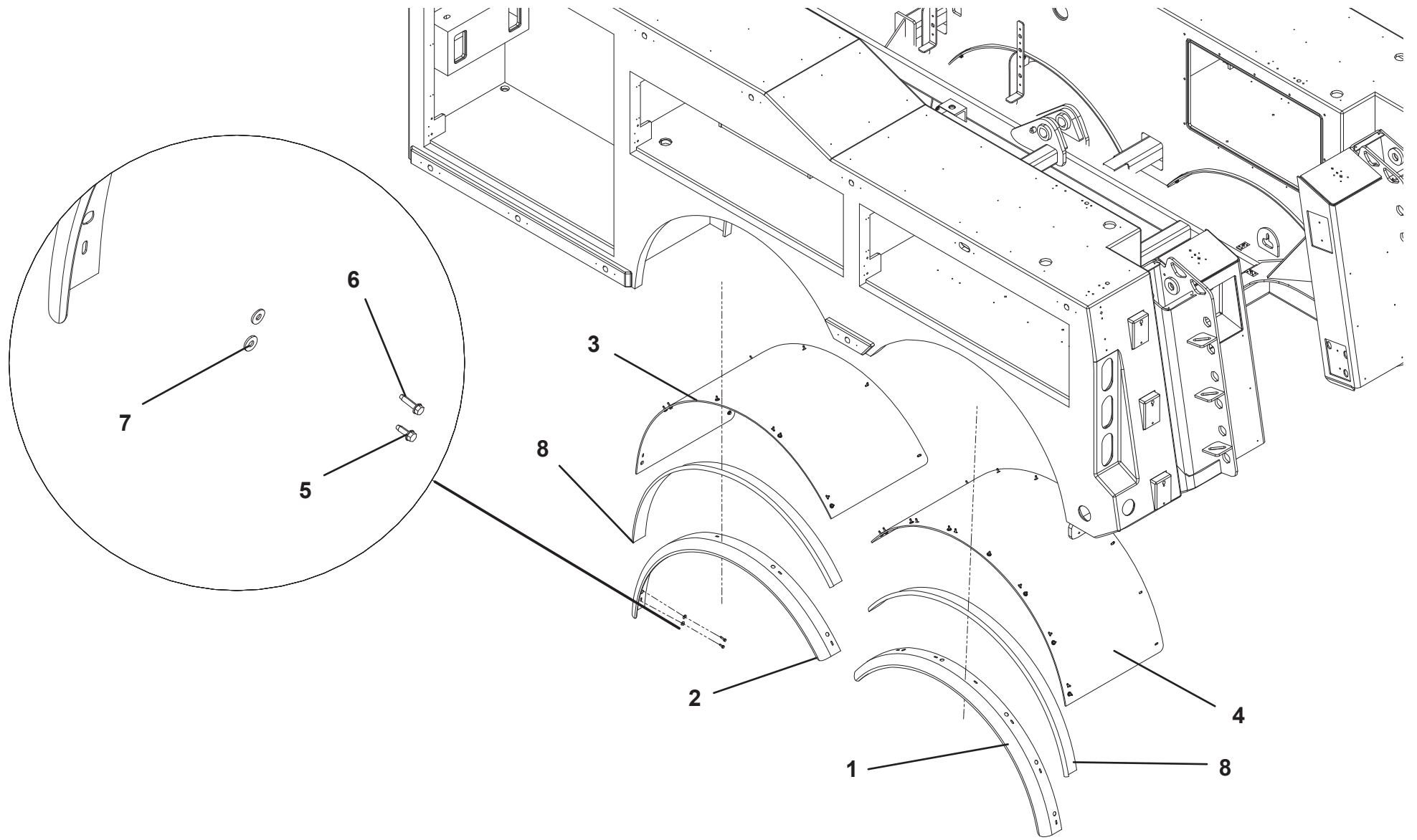
MUDFLAP INSTALLATION - TRI-AXLE



FENDER INSTALLATION - TRI-AXLE

ITEM	PART NO.	DESCRIPTION	QTY	REV
	1001196730	Fender Installation - Tri-Axle	Ref	B
1	1001163358	Fender, Rear	2	
2	1001186584	Fender, Front	2	
3	1001186606	Liner, Front	2	
4	1001186608	Liner, Rear	2	
5	7790141251	Screw, 0.25" x 0.75"	24	
6	7790141651	Screw, 0.25" x 1.00"	42	
7	7950140163	Flatwasher, 0.25" ID	66	
8	1001167358	Mould	1	

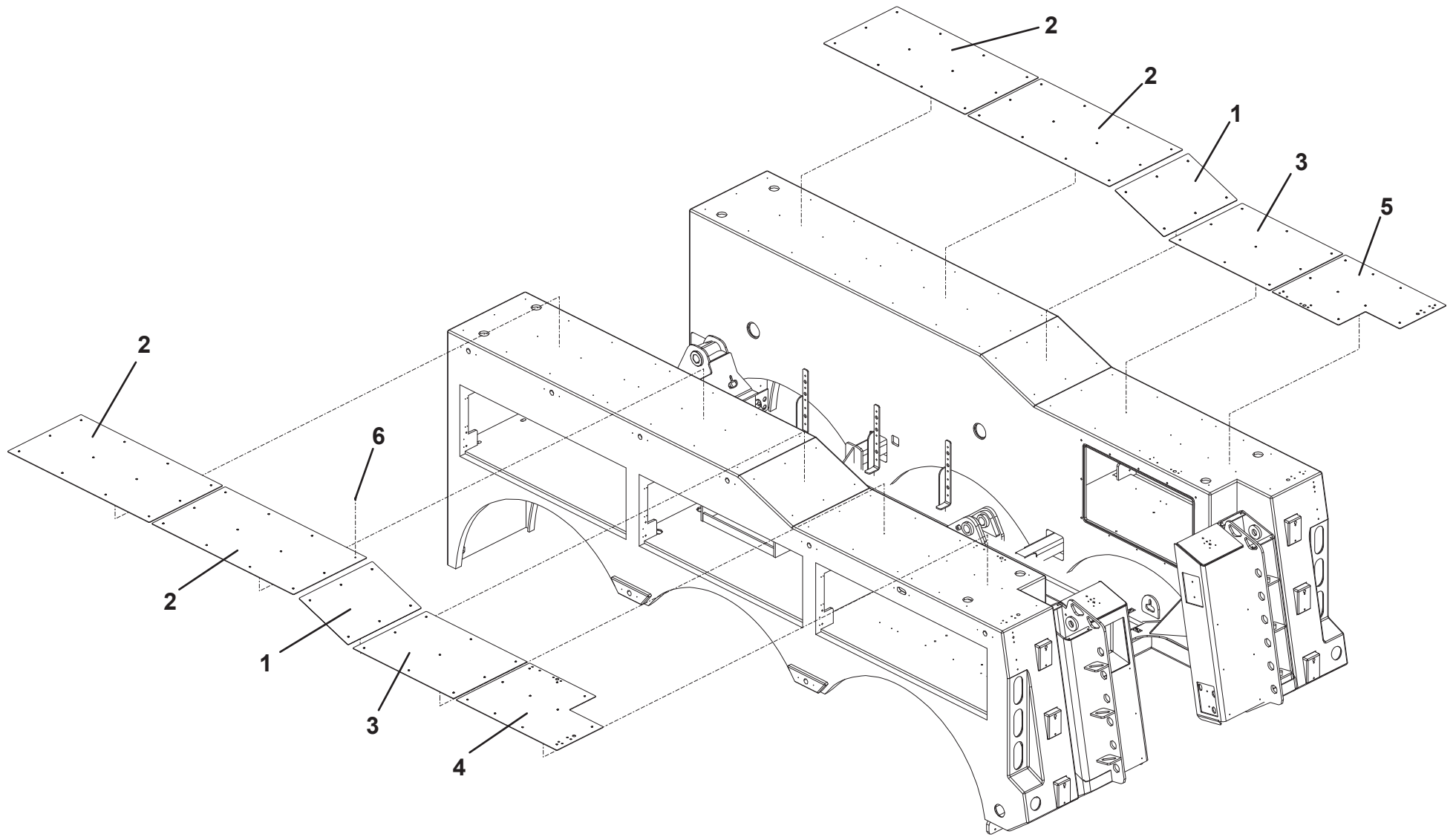
FENDER INSTALLATION - TRI-AXLE



DIAMOND PLATE INSTALLATION - TRI-AXLE

ITEM	PART NO.	DESCRIPTION	QTY	REV
	1001186842	Diamond Plate Installation - Tri-Axle	Ref	B
1	1001186725	Plate	2	
2	1001186726	Plate	4	
3	1001186727	Plate	2	
4	1001186728	Plate	1	
5	1001186835	Plate	1	
6	1001192958	Screw, #10 x 0.50"	100	

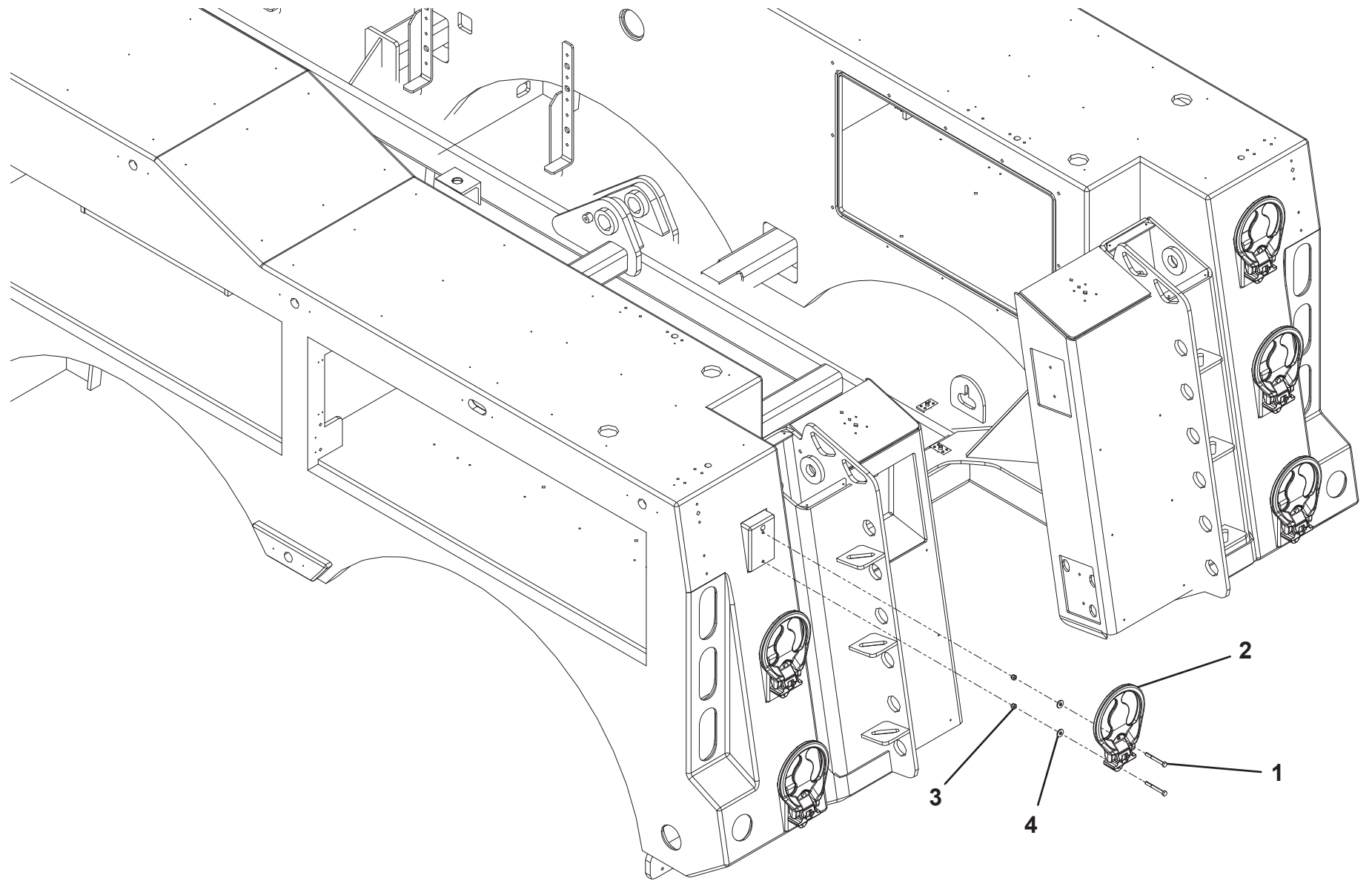
DIAMOND PLATE INSTALLATION - TRI-AXLE



STEP INSTALLATION

ITEM	PART NO.	DESCRIPTION	QTY	REV
	1001196666	Step Installation	Ref	B
1	1001167455	Scew, 0.31"-18NC x 2.75"	12	
2	1001167456	Step	6	
3	7660152601	Locknut, 0.31" - 18NC	12	
4	7950150153	Flatwasher, 0.31" ID	12	

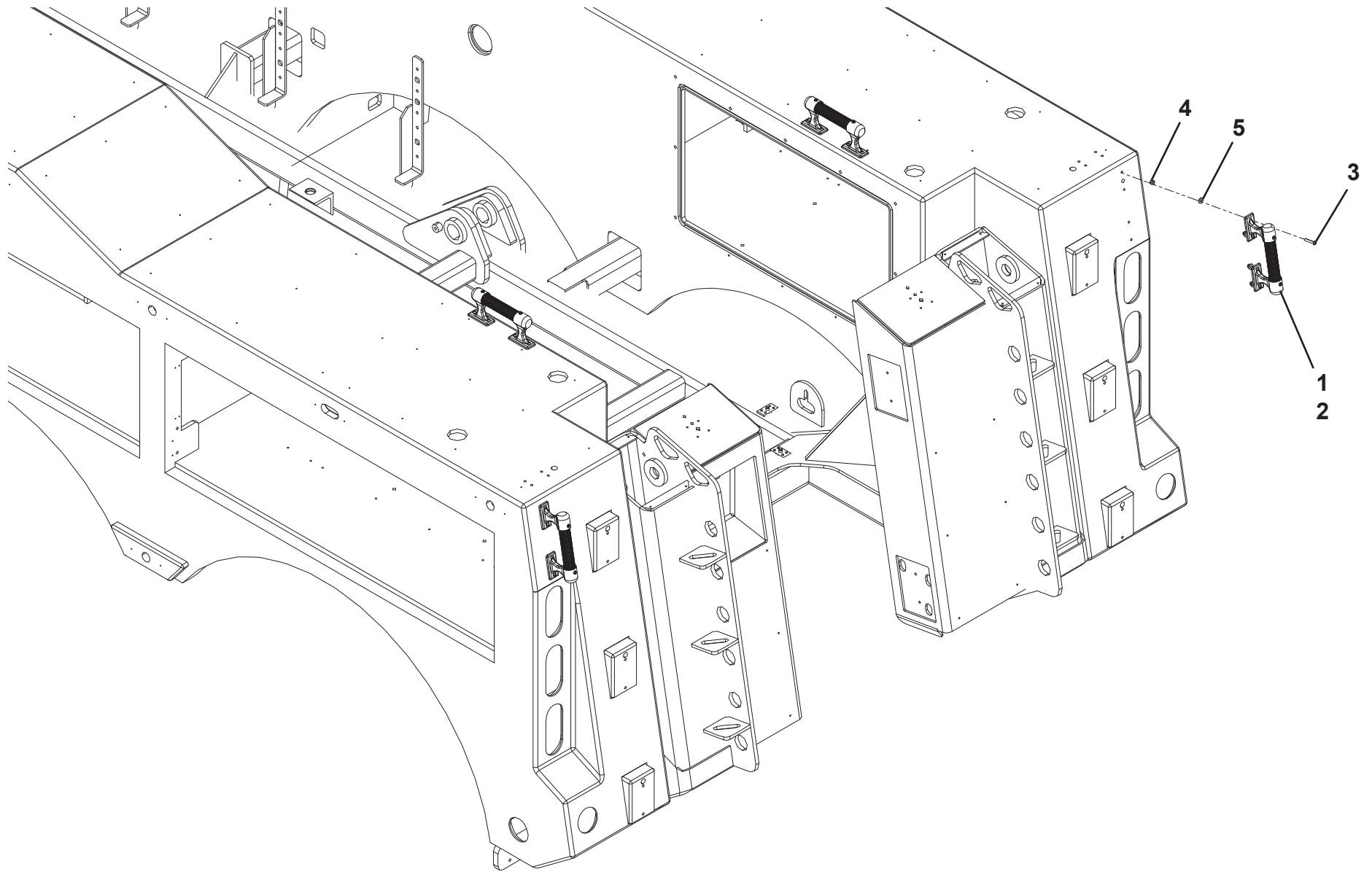
STEP INSTALLATION



GRAB HANDLE INSTALLATION

ITEM	PART NO.	DESCRIPTION	QTY	REV
	1001196639	Grab Handle Installation	Ref	B
1	1001170849	Handle	4	
2	1001170937	Screw	8	
3	7114141218	Screw, 0.25" - 20NC x 1.50"	16	
4	7660142600	Locknut, 0.25" - 20NC	16	
5	7950140143	Flatwasher, 0.25" ID	16	

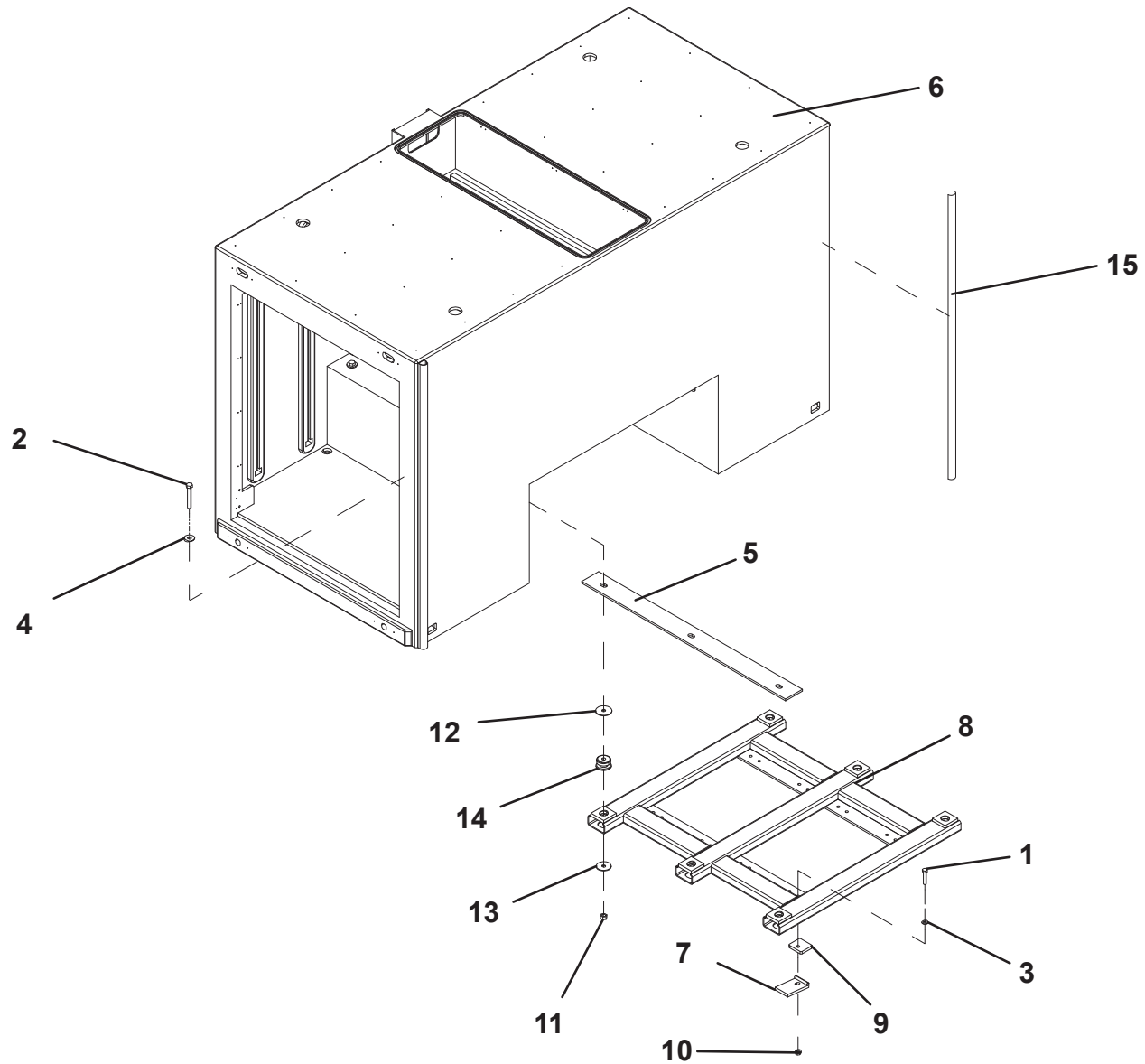
GRAB HANDLE INSTALLATION



TOOLBOX INSTALLATION - 51" W/ BATTERIES

ITEM	PART NO.	DESCRIPTION	QTY	REV
	1001211490	Toolbox Installation - 51" w/ Batteries	Ref	A
1	641820	Capscrew, 0.50"-13 X 2.50"	8	
2	642034	Capscrew, 0.63"-11 X 4.25"	6	
3	4711800	Washer, 0.50" ID	8	
4	4752000	Washer, 0.63" ID	6	
5	1001165692	Support Tunnel Plate	2	
6	1001185657	Tunnel Tool Box w/Batteries	1	
7	3274000011	Clamp Weldment	8	
8	3911000068	Toolbox Mount	1	
9	4705000705	Plate	8	
10	7660182301	Locknut, 0.50"-13NC	8	
11	7660200001	Nut, 0.63"-11NC	6	
12	7949000019	Washer	6	
13	7949000020	Washer	6	
14	7636000008	Mount	6	
15	8632000011	Seal	10FT	

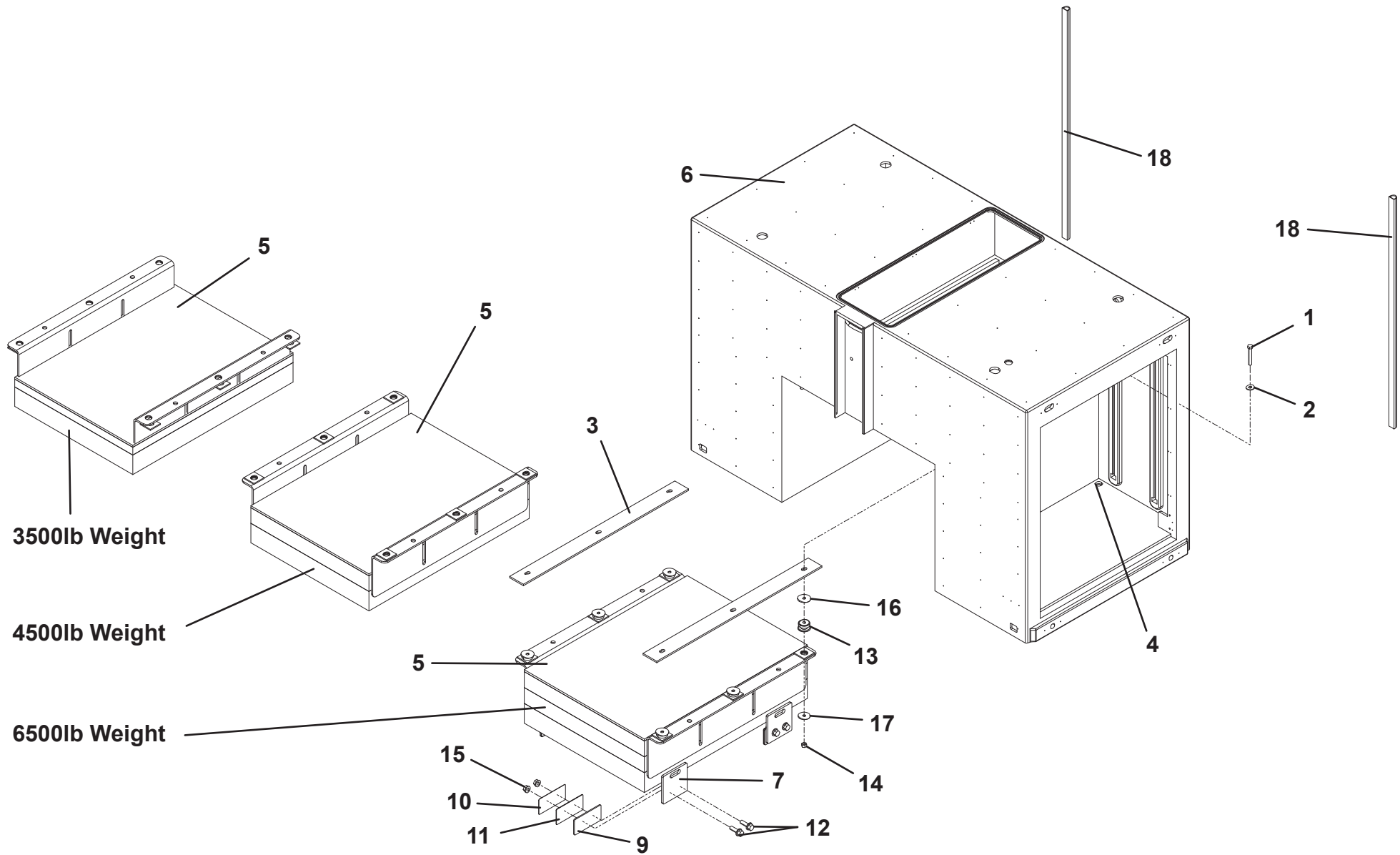
TOOLBOX INSTALLATION - 51" W/ BATTERIES



TOOLBOX INSTALLATION - 51" W/ BATTERIES AND COUNTER WEIGHT

ITEM	PART NO.	DESCRIPTION	QTY	REV
	1001211491	Toolbox Installation - 51" w/ Batteries and Counter Weight	Ref	B
1	642034	Screw, 0.625"-11NC x 4.25"	6	
2	4752000	Washer, 0.625"	6	
3	1001165692	Support	2	
4	1001173847	Plug	4	
5	1001219831	Weight, 6500lb	1	
	1001211487	Weight, 4500lb		
	1001211486	Weight, 3500lb		
6	1001219833	Tunnel Toolbox 51"	1	
7	1001219916	Plate	4	
8	1001219921	Shim Kit	1	
9	1001219917	Shim, 0.25"	4	
10	1001219918	Shim, 11 ga	4	
11	1001219919	Shim, 16 ga	4	
12	7118221816	Capscrew, 0.75"-10NC X 2.25"	8	
13	7636000008	Rubber Mount	6	
14	7660200001	Nut, 0.63"-11NC	6	
15	7660222308	Locknut, 0.75"-10NC	8	
16	7949000019	Washer, Head	6	
17	7949000020	Washer, Tail	6	
18	8632000011	Seal	10FT	

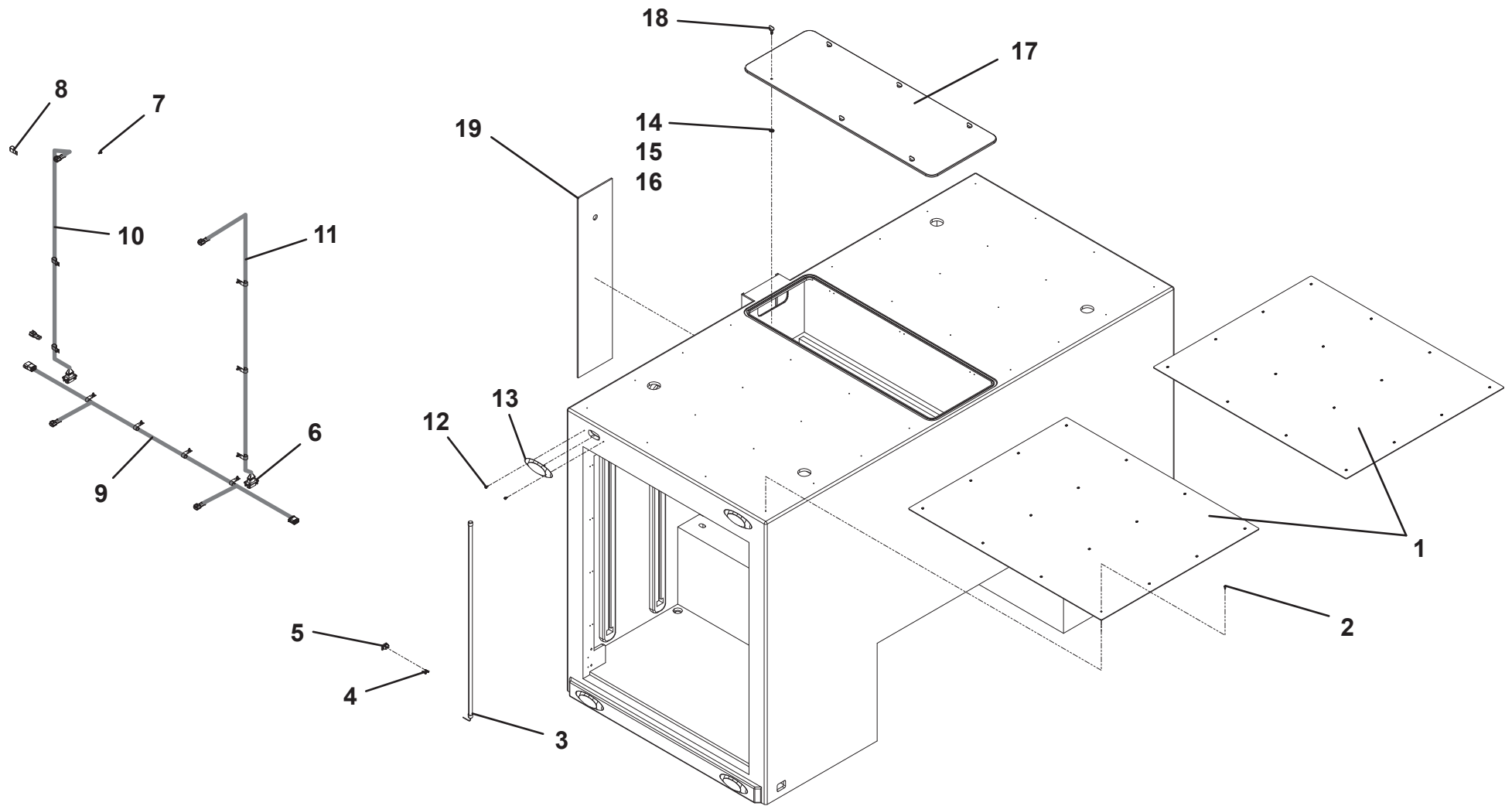
TOOLBOX INSTALLATION - 51" W/ BATTERIES AND COUNTER WEIGHT



TOOLBOX ASSEMBLY - 51" W/ BATTERIES

ITEM	PART NO.	DESCRIPTION	QTY	REV
	1001219832	Toolbox Assembly - 51" w/ Batteries	Ref	A
1	1001187000	Plate	2	
2	1001192958	Screw, #10 x 0.50"	32	
3	1001154527	Light	4	
4	1001196552	Screw #8 x 0.75"	32	
5	1001199081	Mount	16	
6	1001195257	Screw 0.25" x 0.50"	20	
7	1001196552	Screw, #8 x 0.75"	16	
8	7280000006	Clip	20	
9	1001188904	Harness	2	
10	1001188920	Harness	2	
11	1001188921	Harness	2	
12	1001154101	Screw	16	
13	7590000262	Light	8	
14	750605	Screw	12	
15	3760308	Retainer	6	
16	1001122235	Bracket	6	
17	1001166674	Cover	1	
18	1001166930	Latch	6	
19	1001185654	Cover	1	

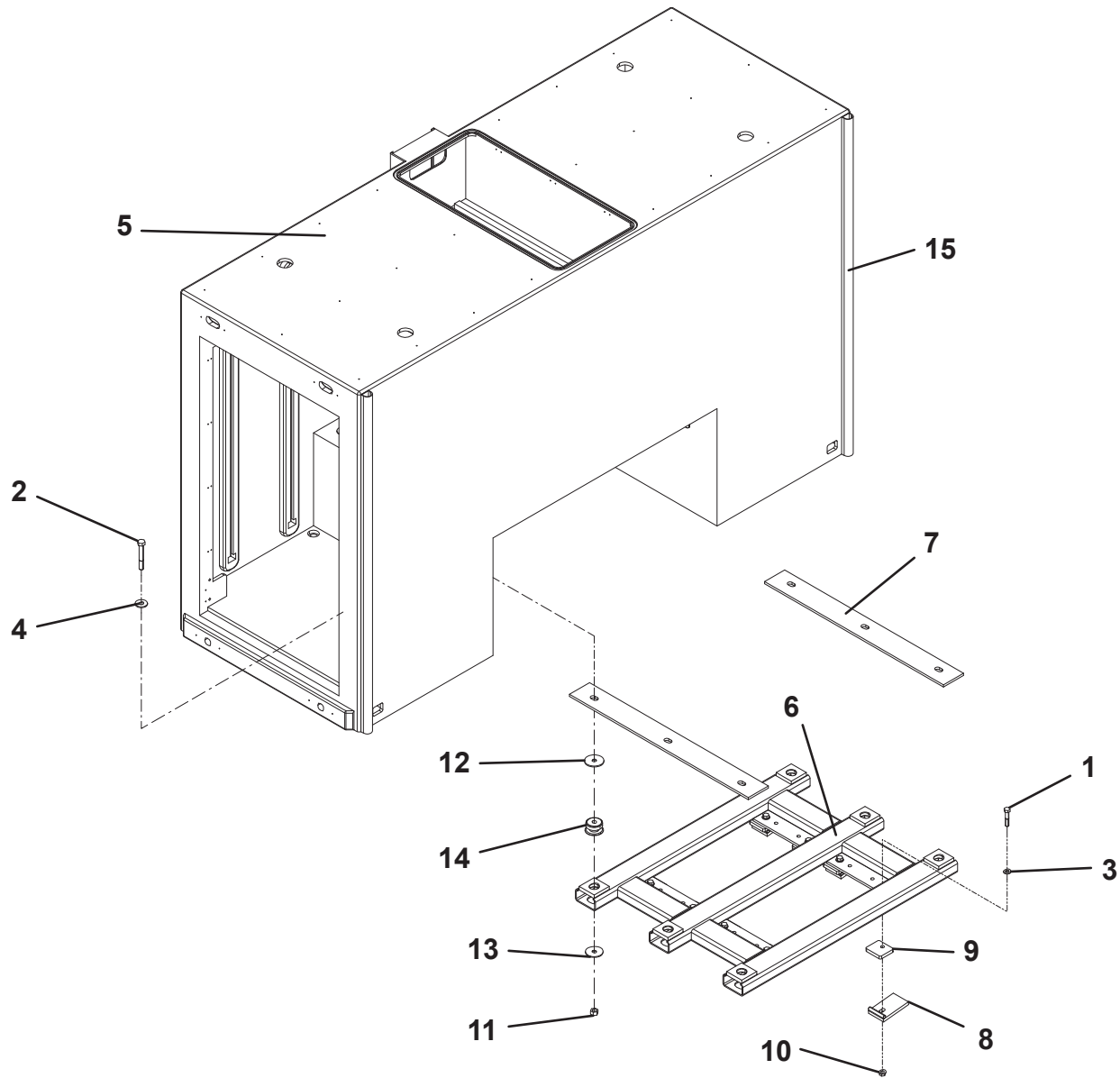
TOOLBOX ASSEMBLY - 51" W/ BATTERIES

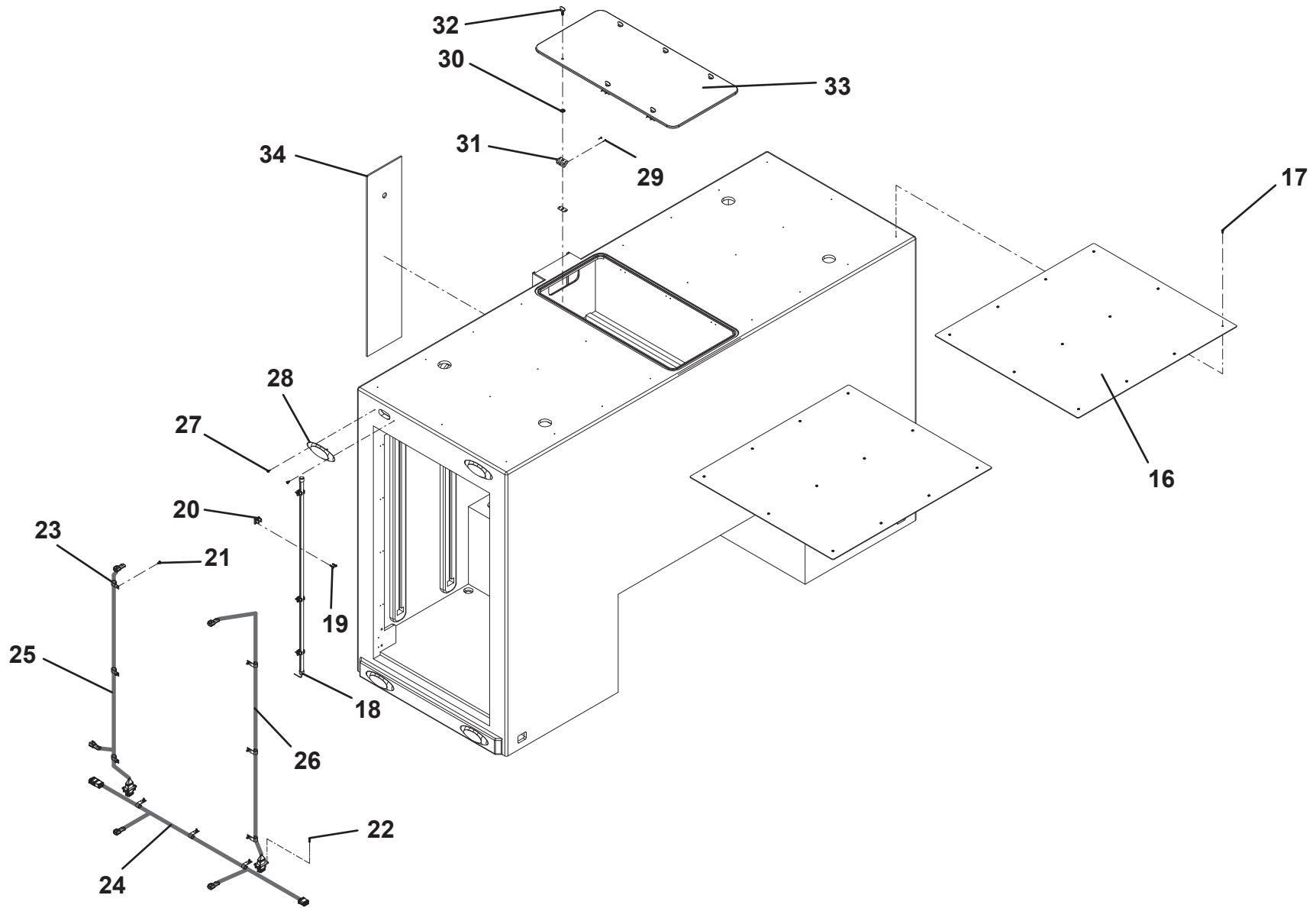


TOOLBOX INSTALLATION - 39" W/ BATTERIES

ITEM	PART NO.	DESCRIPTION	QTY	REV
	1001207193	Toolbox Installation - 39" w/ Batteries	Ref	C
1	641820	Screw, 0.50"-13 X 2.50"	8	
2	642034	Screw, 0.625"-11 X 4.25"	6	
3	4711800	Washer, 0.50" ID	8	
4	4752000	Washer, 0.625" ID	6	
5	1001186491	Tunnel Toolbox	1	
6	1001187063	Mount	1	
7	1001197338	Plate	2	
8	3274000011	Clamp	8	
9	4705000705	Plate	8	
10	7660182301	Locknut, 0.50"-13NC	8	
11	7660200001	Nut, 0.63"-11NC	6	
12	7949000019	Washer, Head	6	
13	7949000020	Washer, Tail	6	
14	7636000008	Mount	6	
15	8632000011	Seal	10FT	
16	1001186993	Plate	2	
17	1001192958	Screw, #10 x 0.05"	24	
18	1001154527	Lamp	4	
19	1001196552	Screw, #8 x 0.75"	32	
20	1001199081	Mount	16	
21	1001195257	Screw, 0.25" x 0.50"	18	
22	1001196552	Screw, #8 x 0.75"	16	
23	7280000006	Clip	18	
24	1001188919	Harness	2	
25	1001188920	Harness	2	
26	1001188921	Harness	2	
27	1001154101	Screw	16	
28	7590000262	Light	8	
29	750605	Screw	12	
30	3760308	Retainer	6	
31	1001122235	Bracket	6	
32	1001166930	Latch	6	
33	1001182569	Cover	1	
34	1001185654	Cover	1	

TOOLBOX INSTALLATION - 39" W/ BATTERIES



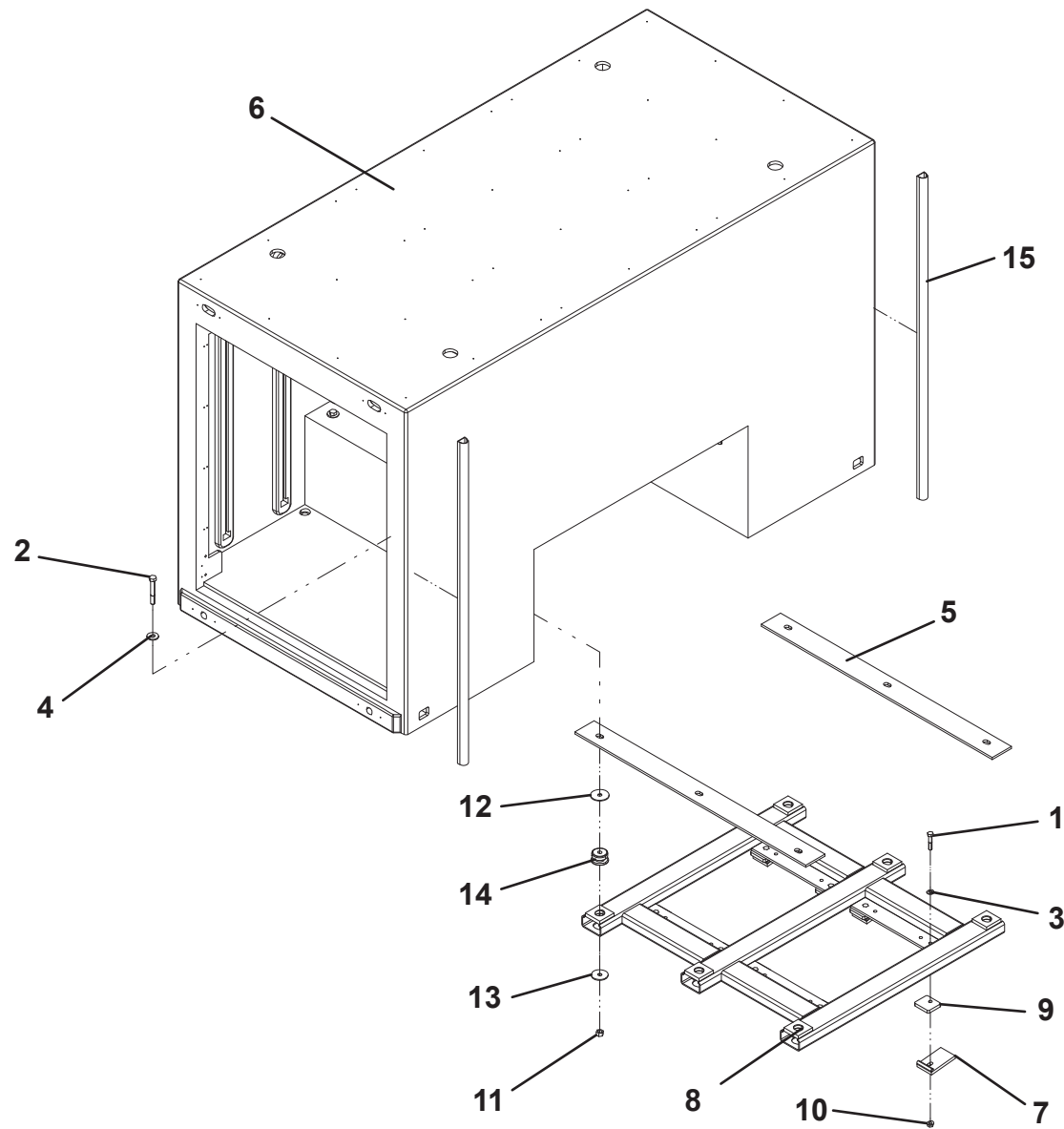
TOOLBOX INSTALLATION - 39" W/ BATTERIES

THIS PAGE INTENTIONALLY LEFT BLANK

TOOLBOX INSTALLATION - 49" W/O BATTERIES

ITEM	PART NO.	DESCRIPTION	QTY	REV
	1001207196	Toolbox Installation - 49" w/o Batteries	Ref	B
1	641820	Screw, 0.50"-13 X 2.50"	8	
2	642034	Screw, 0.625"-11 X 4.25"	6	
3	4711800	Washer, 0.50" ID	8	
4	4752000	Washer, 0.625" ID	6	
5	1001165692	Plate	2	
6	1001186416	Tunnel Toolbox 48"	1	
7	3274000011	Clamp	8	
8	3911000068	Mount	1	
9	4705000705	Plate	8	
10	7660182301	Locknut, 0.50"-13NC	8	
11	7660200001	Nut, 0.63"-11NC	6	
12	7949000019	Washer, Head	6	
13	7949000020	Washer, Tail	6	
14	7636000008	Mount	6	
15	8632000011	Seal	10FT	
16	1001187009	Plate	3	
17	1001192958	Screw, #10 x 0.50"	36	
18	1001154527	Lamp	4	
19	1001196552	Screw, #8 x 0.75"	32	
20	1001199081	Mount	16	
21	1001195257	Screw, 0.25" x 0.50"	20	
22	1001196552	Screw, #8 x 0.75"	16	
23	7280000006	Clip	20	
24	1001188904	Harness	2	
25	1001188921	Harness	4	
26	1001192958	Screw, #10 x 0.50"	16	
27	7590000262	Light	8	

TOOLBOX INSTALLATION - 49" W/O BATTERIES

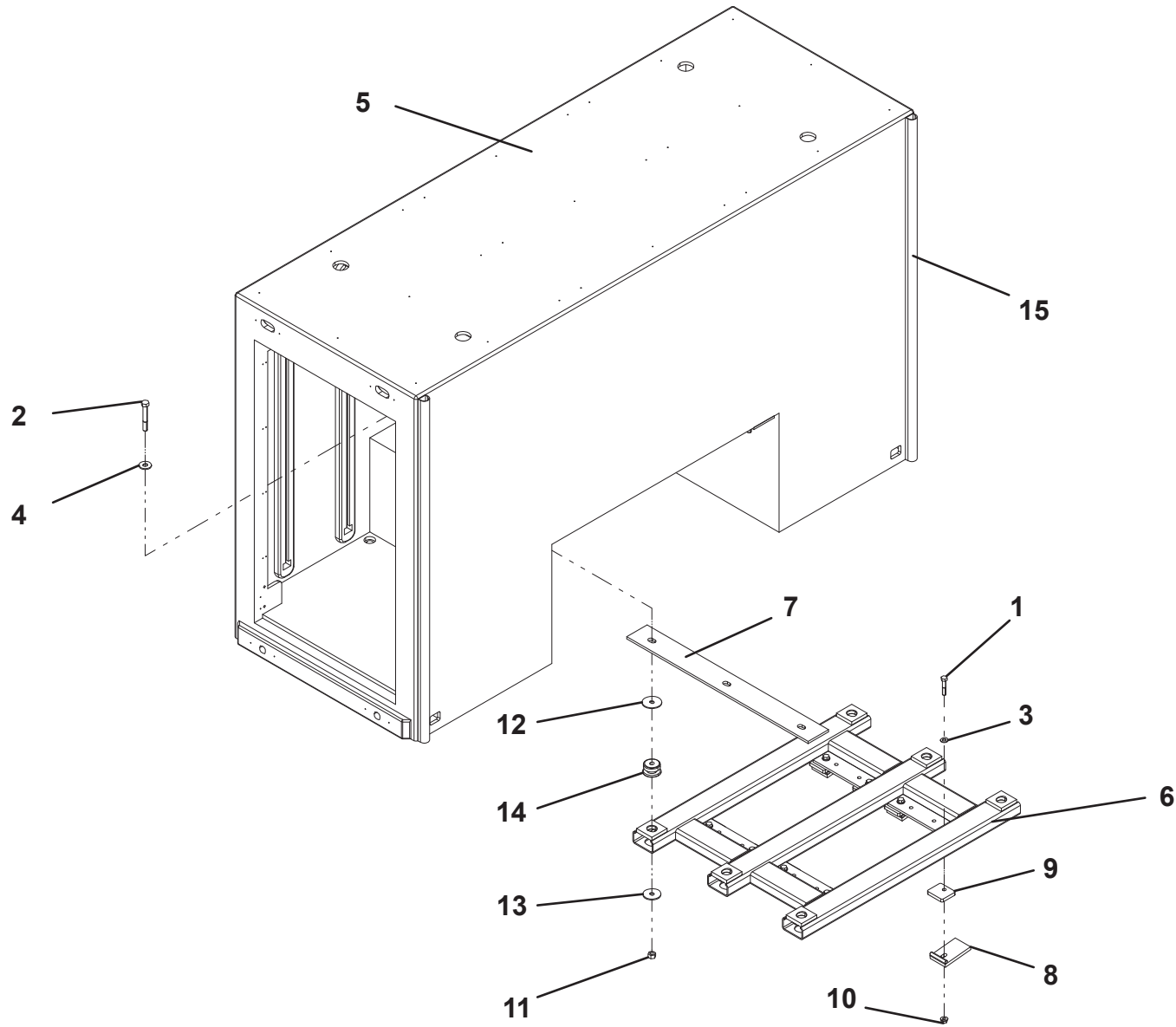


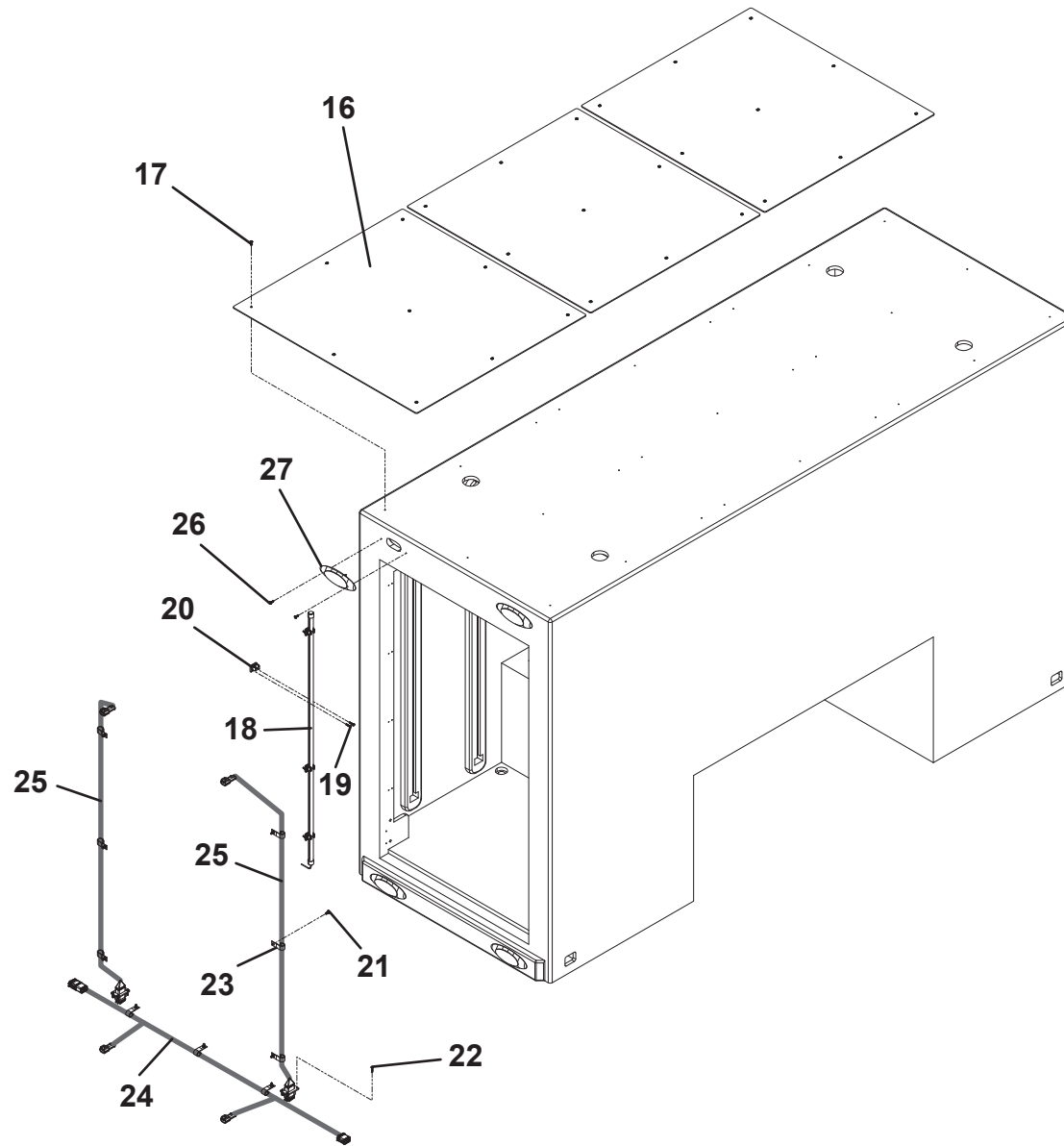
THIS PAGE INTENTIONALLY LEFT BLANK

TOOLBOX INSTALLATION - 37" W/O BATTERIES

ITEM	PART NO.	DESCRIPTION	QTY	REV
	1001207194	Toolbox Installation - 37" w/o Batteries	Ref	B
1	641820	Screw, 0.50-13 X 2.50"	8	
2	642034	Screw, 0.625"-11 X 4.25	6	
3	4711800	Washer, 0.50" ID	8	
4	4752000	Washer, 0.625" ID	6	
5	1001185600	Tunnel Toolbox	1	
6	1001187063	Mount	1	
7	1001197338	Plate	2	
8	3274000011	Clamp	8	
9	4705000705	Plate	8	
10	7660182301	Locknut, 0.50"-13NC	8	
11	7660200001	Nut, 0.63"-11NC	6	
12	7949000019	Washer, Head	6	
13	7949000020	Washer, Tail	6	
14	7636000008	Mount	6	
15	8632000011	seal	10FT	
16	1001186997	Plate	3	
17	1001192958	Screw, #10 x 0.50"	27	
18	1001154527	Lamp	4	
19	1001196552	Screw, #8 x 0.75"	32	
20	1001199081	Mount	16	
21	1001195257	Screw, 0.25" x 0.50"	18	
22	1001196552	Screw, #8 x 0.75"	16	
23	7280000006	Clip	18	
24	1001188919	Harness	2	
25	1001188921	Harness	4	
26	1001192958	Screw, #10 x 0.50"	16	
27	7590000262	Light	8	

TOOLBOX INSTALLATION - 37" W/O BATTERIES



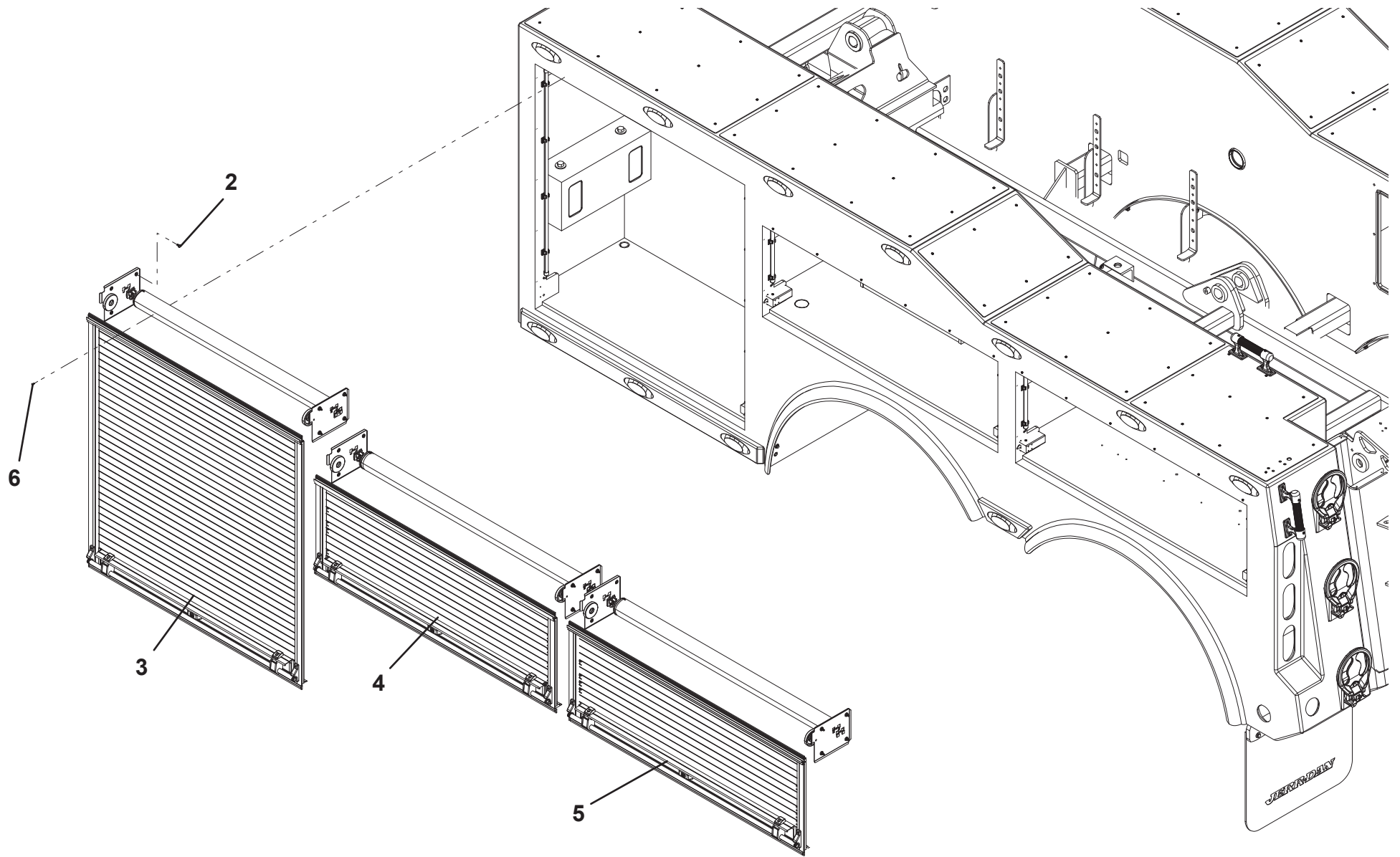
TOOLBOX INSTALLATION - 37" W/O BATTERIES

THIS PAGE INTENTIONALLY LEFT BLANK

DOOR INSTALLATION - TANDEM BODY PAINTED

ITEM	PART NO.	DESCRIPTION	QTY	REV
	1001197635	Door Installation - Tandem Body Painted	Ref	A
1	1001192958	Screw, #10 X 0.50" (Not Shown)	60	
2	1001195257	Screw, 0.25" X 0.50"	48	
3	1001197159	Door, 48.10" X 47.50"	2	
4	1001197160	Door, 17.90" X 53.30"	2	
5	1001197161	Door, 17.90" X 52.40"	2	
6	1001198602	Screw, #8 X 0.38"	34	

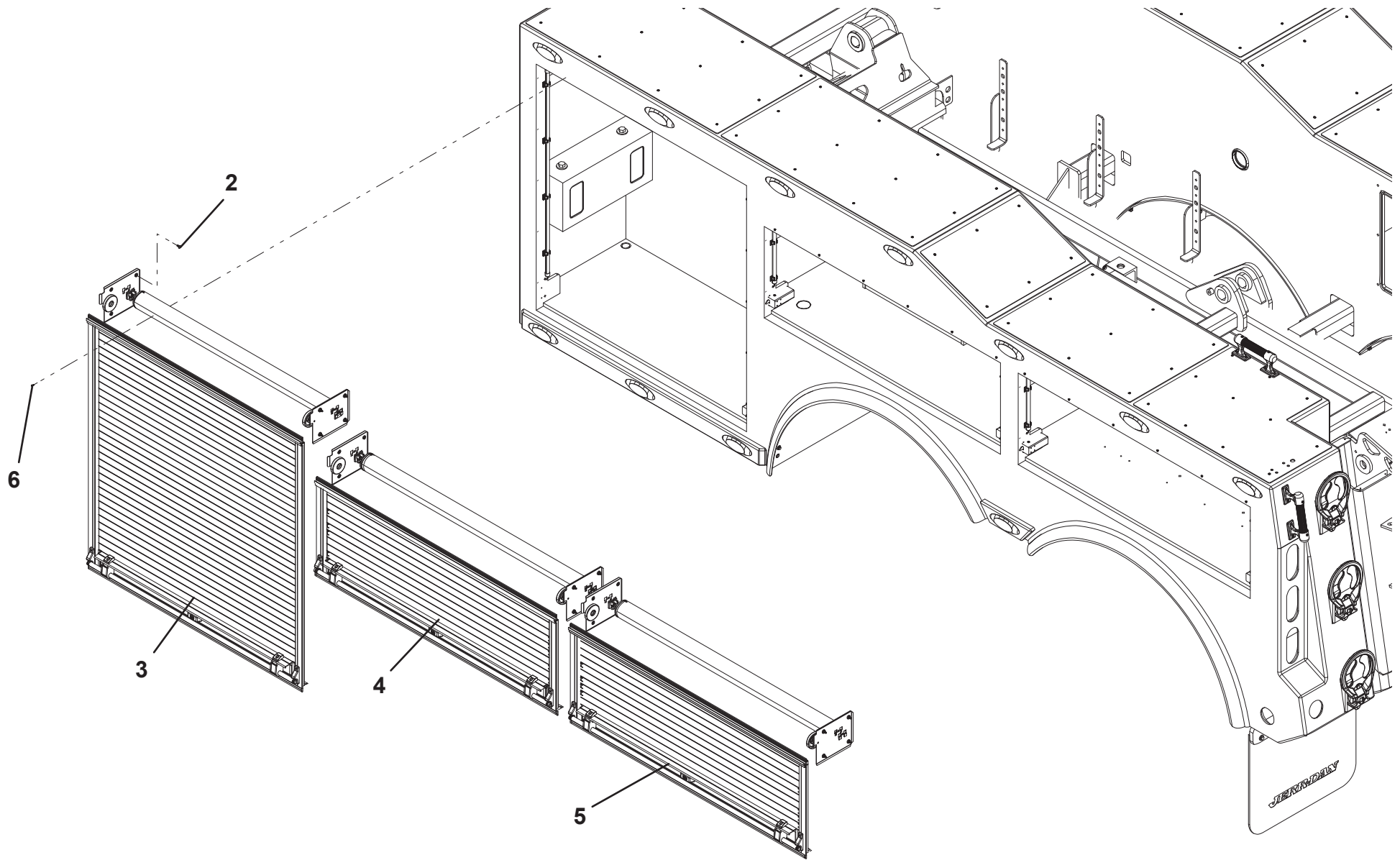
DOOR INSTALLATION - TANDEM BODY PAINTED



DOOR INSTALLATION - TANDEM BODY BRUSHED

ITEM	PART NO.	DESCRIPTION	QTY	REV
	1001197636	Door Installation - Tandem Body Brushed	Ref	A
1	1001192958	Screw, #10 X 0.50" (Not Shown)	60	
2	1001195257	Screw, 0.25" X 0.50"	48	
3	1001186988	Door, 48.10" X 47.50"	2	
4	1001186989	Door, 17.90" X 53.30"	2	
5	1001186990	Door, 17.90" X 52.40"	2	
6	1001198602	Screw, #8 X 0.38"	34	

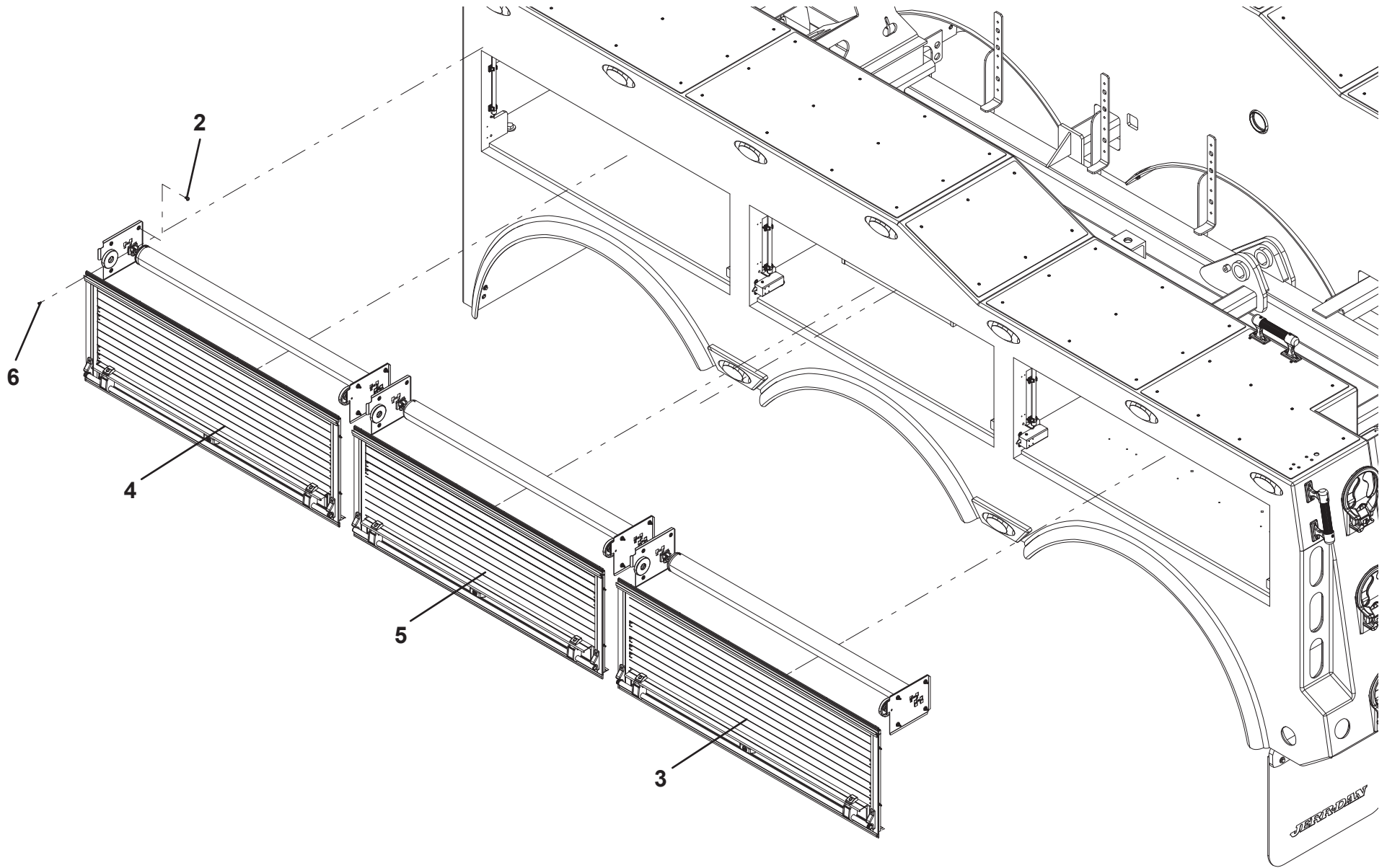
DOOR INSTALLATION - TANDEM BODY BRUSHED



DOOR INSTALLATION - TRI-AXLE PAINTED

ITEM	PART NO.	DESCRIPTION	QTY	REV
	1001197656	Door Installation - Tri-Axle Painted	Ref	A
1	1001192958	Screw, #10 X 0.50" (Not Shown)	48	
2	1001195257	Screw, 0.25" X 0.50"	48	
3	1001197161	Door, 17.90" X 52.40"	2	
4	1001197162	Door, 17.90" X 50.80"	2	
5	1001197163	Door, 17.90" X 50.00"	2	
6	1001198602	Screw, #8 X 0.38"	36	

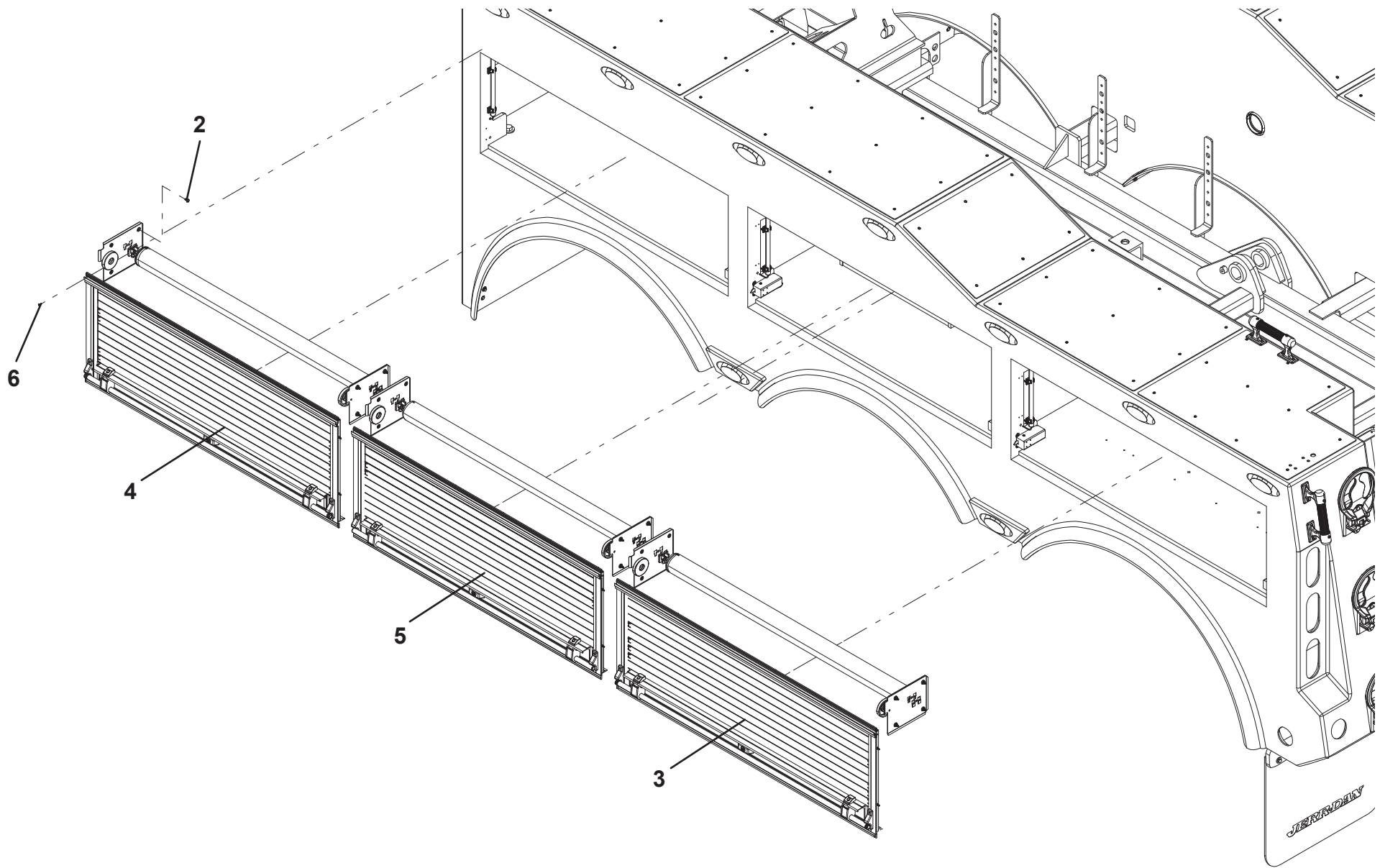
DOOR INSTALLATION - TRI-AXLE PAINTED



DOOR INSTALLATION - TRI-AXLE BRUSHED

ITEM	PART NO.	DESCRIPTION	QTY	REV
	1001197658	Door Installation - Tri-Axle Brushed	Ref	A
1	1001192958	Screw, #10 X 0.50" (Not Shown)	48	
2	1001195257	Screw, 0.25" X 0.50"	48	
3	1001186990	Door, 17.90" X 52.40"	2	
4	1001186991	Door, 17.90" X 50.80"	2	
5	1001186992	Door, 17.90" X 50.00"	2	
6	1001198602	Screw, #8 X 0.38"	36	

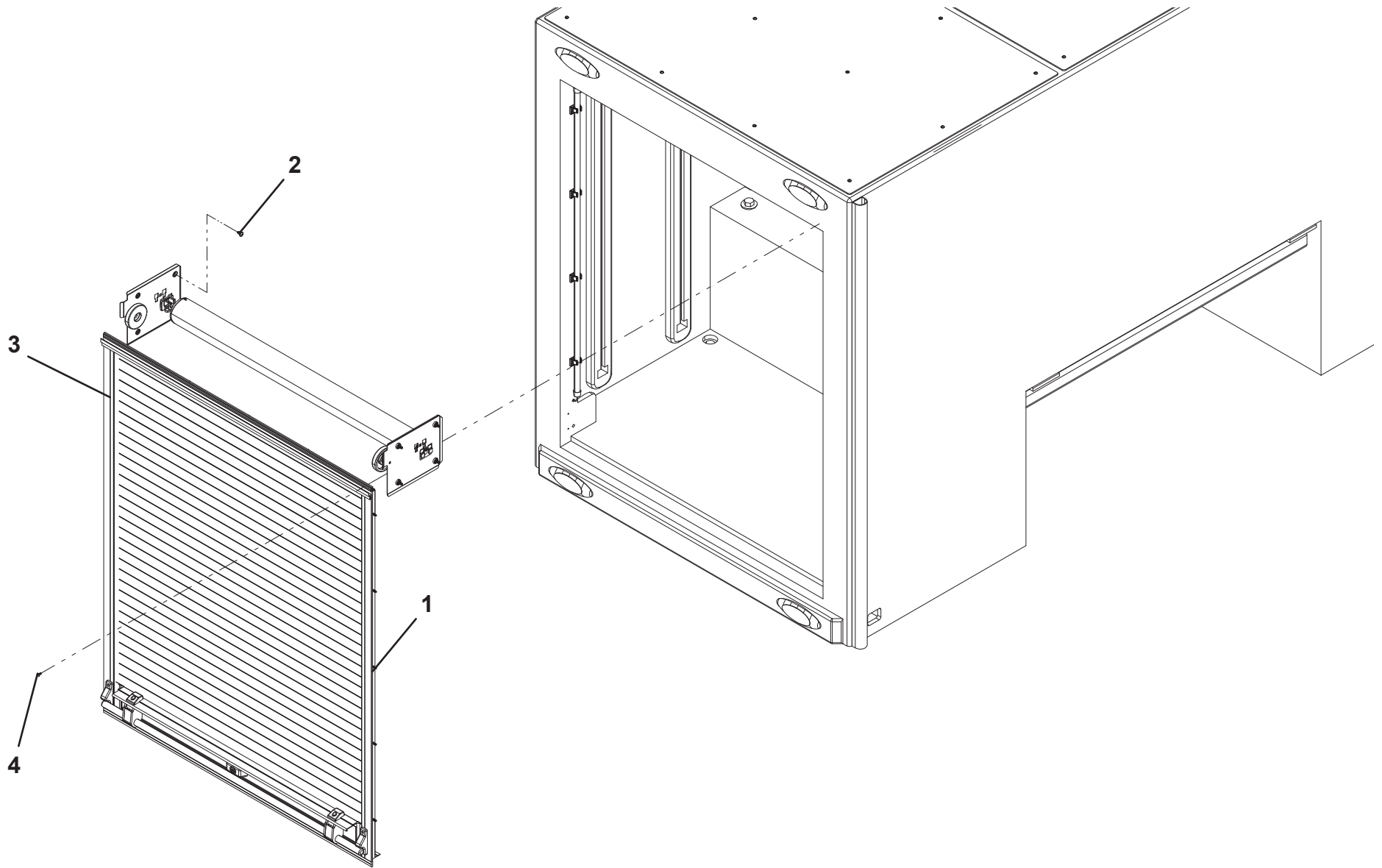
DOOR INSTALLATION - TRI-AXLE BRUSHED



DOOR INSTALLATION - 51" TUNNEL TOOLBOX PAINTED

ITEM	PART NO.	DESCRIPTION	QTY	REV
	1001197687	Door Installation - 51" Tunnel Toolbox Painted	Ref	A
1	1001192958	Screw, #10 X 0.50"	28	
2	1001195257	Screw, 0.25" X 0.50"	16	
3	1001197158	Door, 48.10" X 39.80"	2	
4	1001198602	Screw, #8 X 0.38"	8	

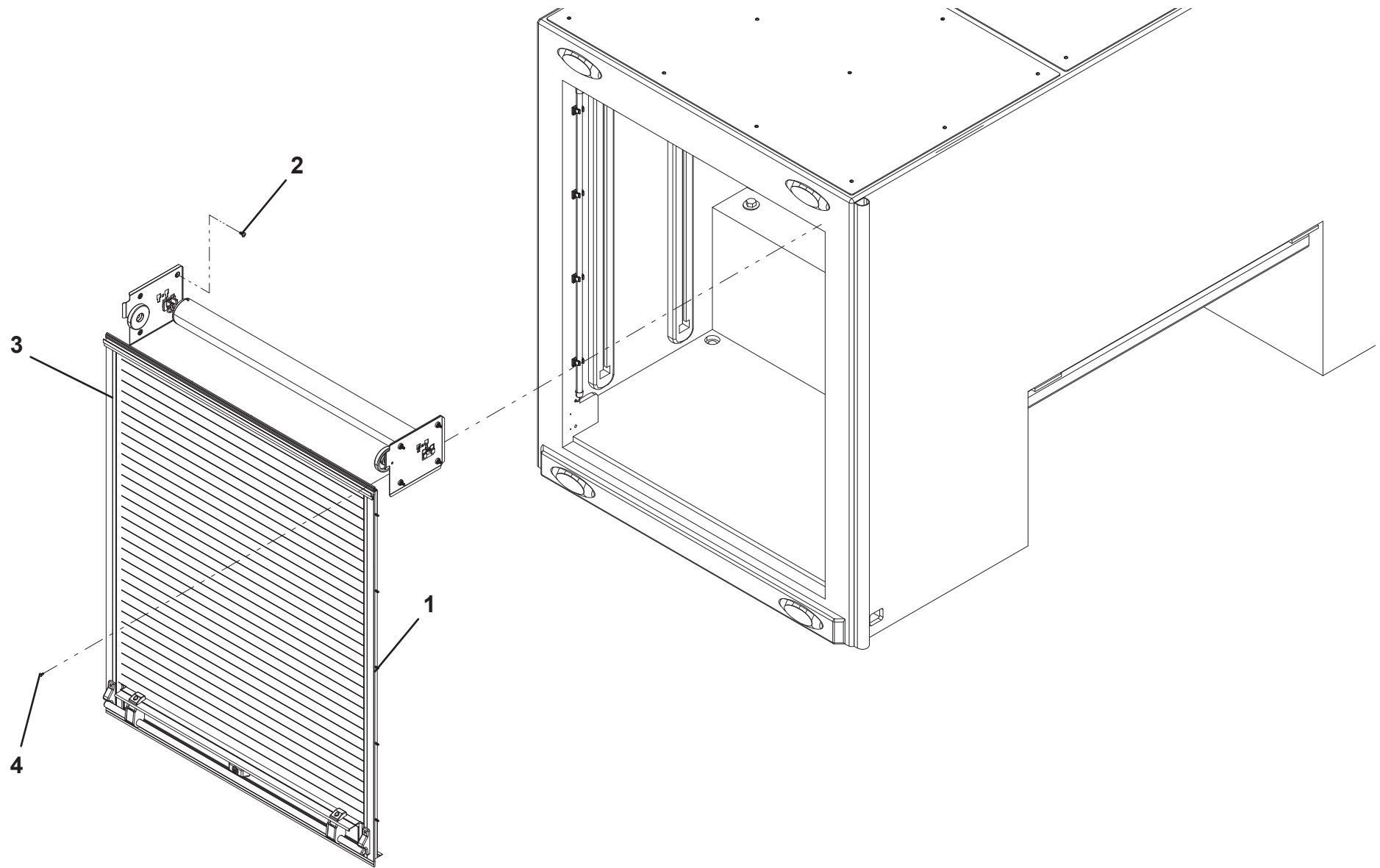
DOOR INSTALLATION - 51" TUNNEL TOOLBOX PAINTED



DOOR INSTALLATION - 49" TUNNEL TOOLBOX BRUSHED

ITEM	PART NO.	DESCRIPTION	QTY	REV
	1001197688	Door Installation - 49" Tunnel Toolbox Brushed	Ref	A
1	1001192958	Screw, #10 X 0.50"	28	
2	1001195257	Screw, 0.25" X 0.50"	16	
3	1001186987	Door, 48.10" X 39.80"	2	
4	1001198602	Screw, #8 X 0.38"	8	

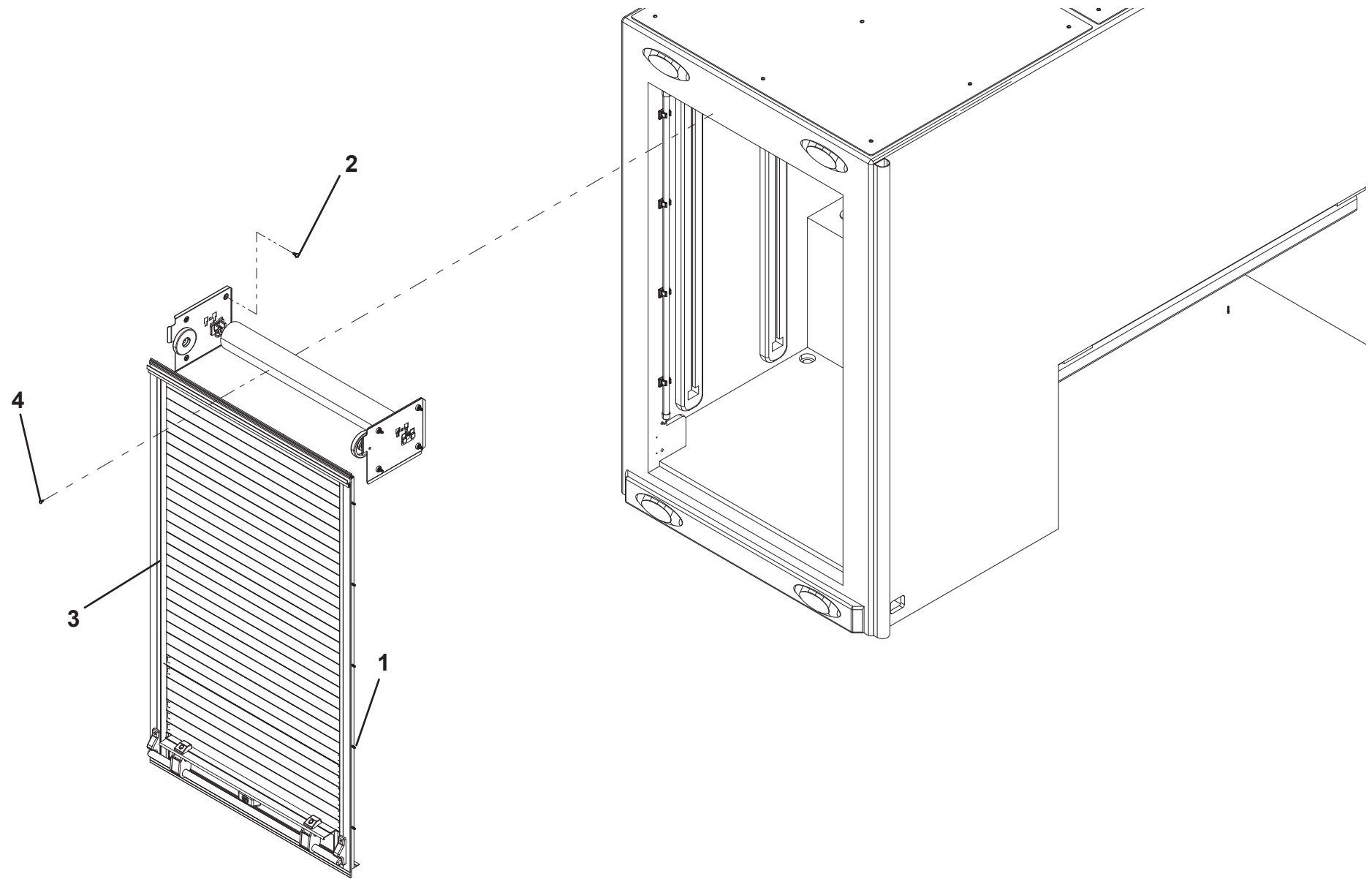
DOOR INSTALLATION - 49" TUNNEL TOOLBOX BRUSHED



DOOR INSTALLATION - 39" TUNNEL TOOLBOX PAINED

ITEM	PART NO.	DESCRIPTION	QTY	REV
	1001197567	Door Installation - 39" Tunnel Toolbox Painted	Ref	A
1	1001192958	Screw, #10 X 0.50"	28	
2	1001195257	Screw, 0.25" X 0.50"	16	
3	1001197181	Door, 48.10" X 27.80"	2	
4	1001198602	Screw, #8 X 0.38"	8	

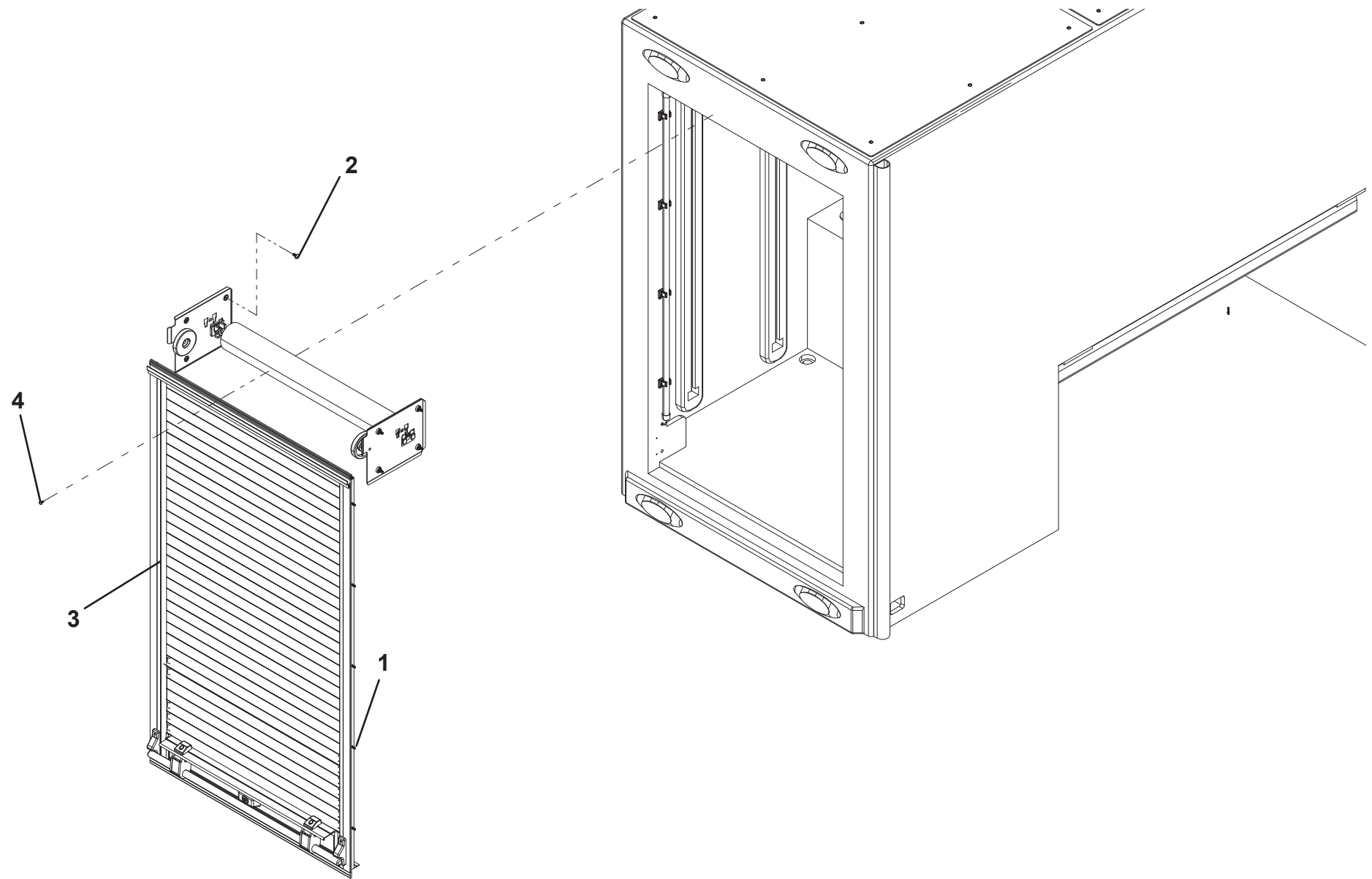
DOOR INSTALLATION - 39" TUNNEL TOOLBOX PAINED



DOOR INSTALLATION - 37" TUNNEL TOOLBOX BRUSHED

ITEM	PART NO.	DESCRIPTION	QTY	REV
	1001197568	Door Installation - 37" Tunnel Toolbox Brushed	Ref	A
1	1001192958	Screw, #10 X 0.50"	28	
2	1001195257	Screw, 0.25" X 0.50"	16	
3	1001186986	Door, 48.10" X 27.80"	2	
4	1001198602	Screw, #8 X 0.38"	8	

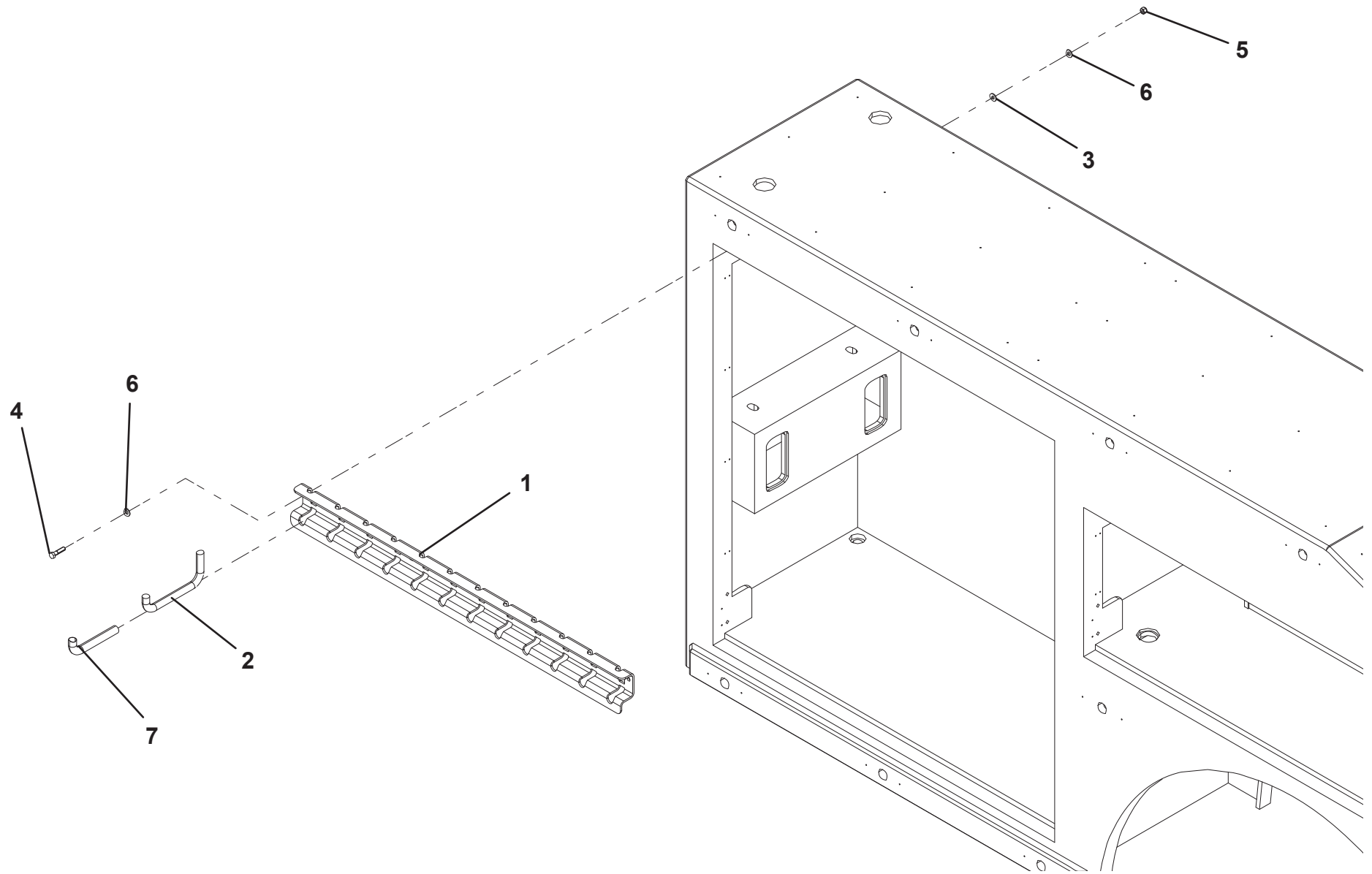
DOOR INSTALLATION - 37" TUNNEL TOOLBOX BRUSHED



SHACKLE RACK INSTALLATION - TANDEM

ITEM	PART NO.	DESCRIPTION	QTY	REV
	1001195038	Shackle Rack Installation - Tandem	Ref	C
1	1001164601	Bracket	2	
2	1001164614	Shackle Hook	24	
3	1001166974	Washer, 0.38" ID	10	
4	1001168993	Screw, 0.38"-16 X 1.50"	10	
5	7660162601	Locknut, 0.38"-16NC	10	
6	7950160143	Flatwasher, 0.38" ID	20	
7	7346000040	Tubing	3.7	

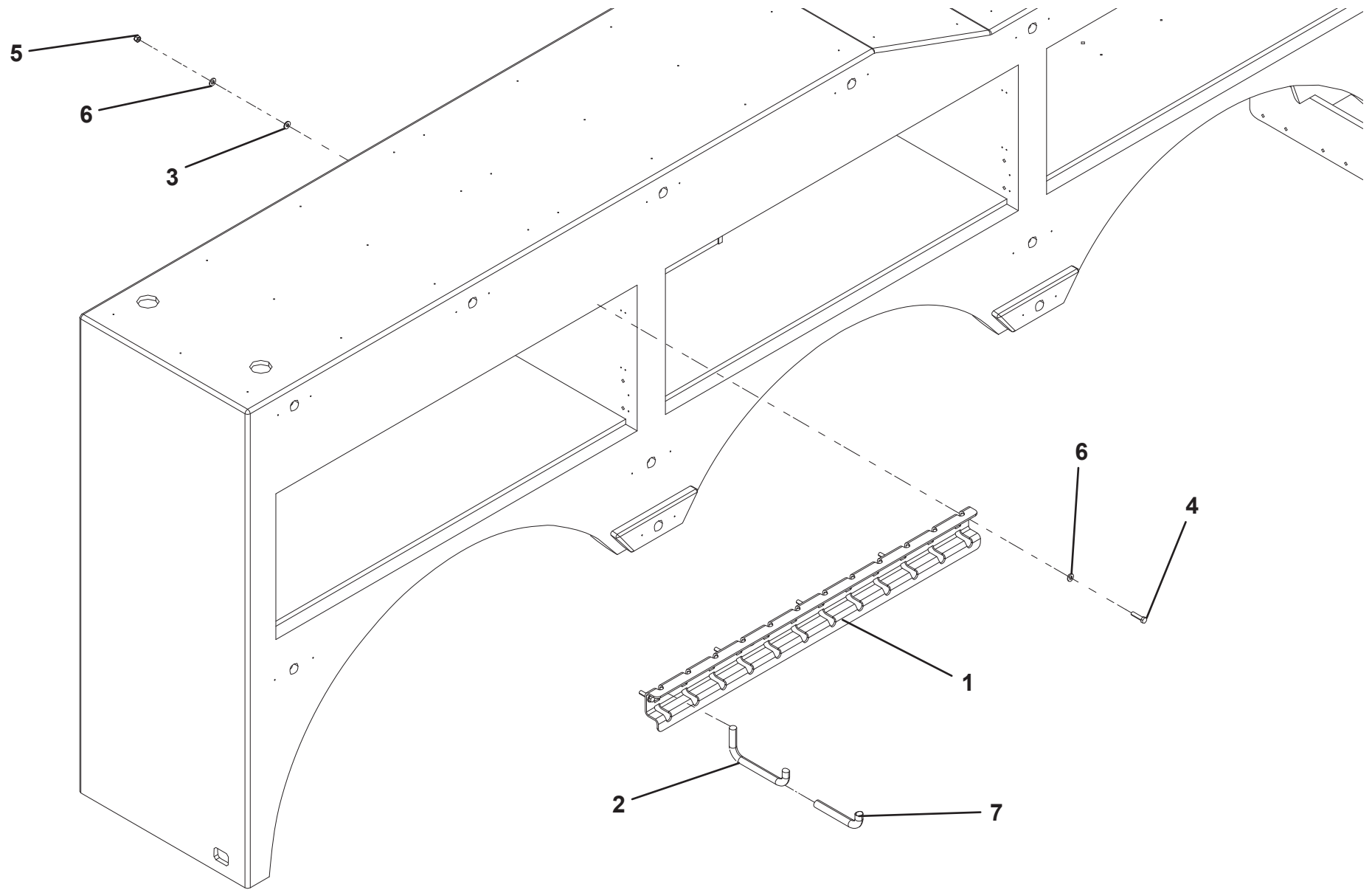
SHACKLE RACK INSTALLATION - TANDEM



SHACKLE RACK INSTALLATION - TRI-AXLE

ITEM	PART NO.	DESCRIPTION	QTY	REV
	1001195083	Shackle Rack Installation - Tri-Axle	Ref	C
1	1001164601	Bracket	2	
2	1001164614	Shackle Hook	24	
3	1001166974	Washer, 0.38" ID	10	
4	1001168993	Screw, 0.38"-16 X 1.50"	10	
5	7660162601	Locknut, 0.38"-16NC	10	
6	7950160143	Flatwasher, 0.38" ID	20	
7	7346000040	Tubing	3.7	

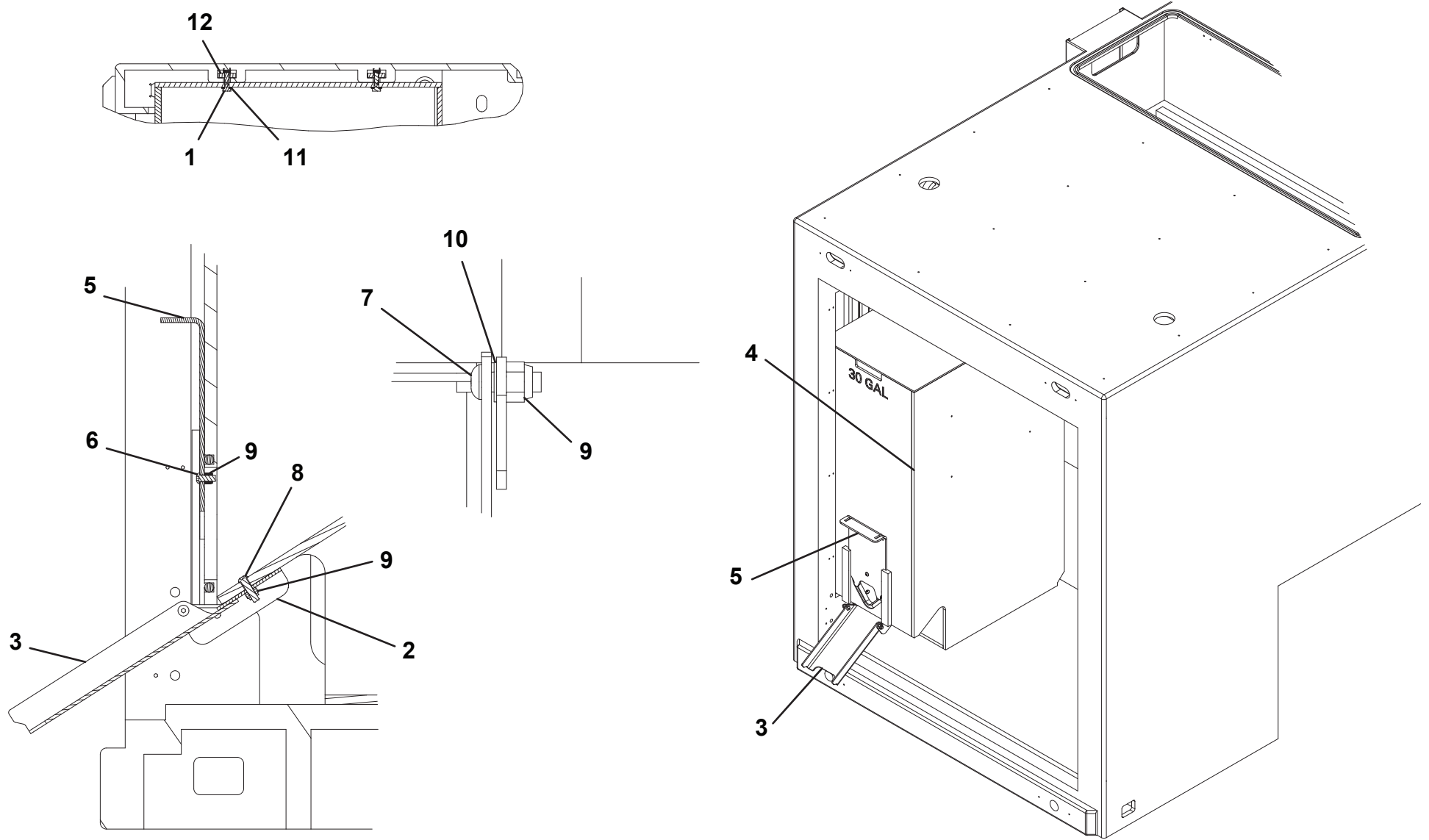
SHACKLE RACK INSTALLATION - TRI-AXLE



STAY DRY SILO INSTALLATION

ITEM	PART NO.	DESCRIPTION	QTY	REV
	1001195421	Stay Dry Silo Installation	Ref	B
1	1001169080	Screw, 0.38"-16 X 1.25"	4	
2	1001190050	Bracket	1	
3	1001190055	Bracket	1	
4	1001190128	Container	1	
5	1001190148	Cover	1	
6	7114140518	Screw, 0.25"-20 X 0.625"	1	
7	7114140618	Screw, 0.25"-20 X 0.75"	2	
8	7114140818	Capscrew, 0.25"-20 X 1.00"	3	
9	7660142600	Locknut, 0.25"-20NC	6	
10	7949000056	Washer, 0.27" ID	2	
11	7950160143	Flatwasher, 0.38" ID	4	
12	1001166644	Nut, 0.38"-16 UNC	4	

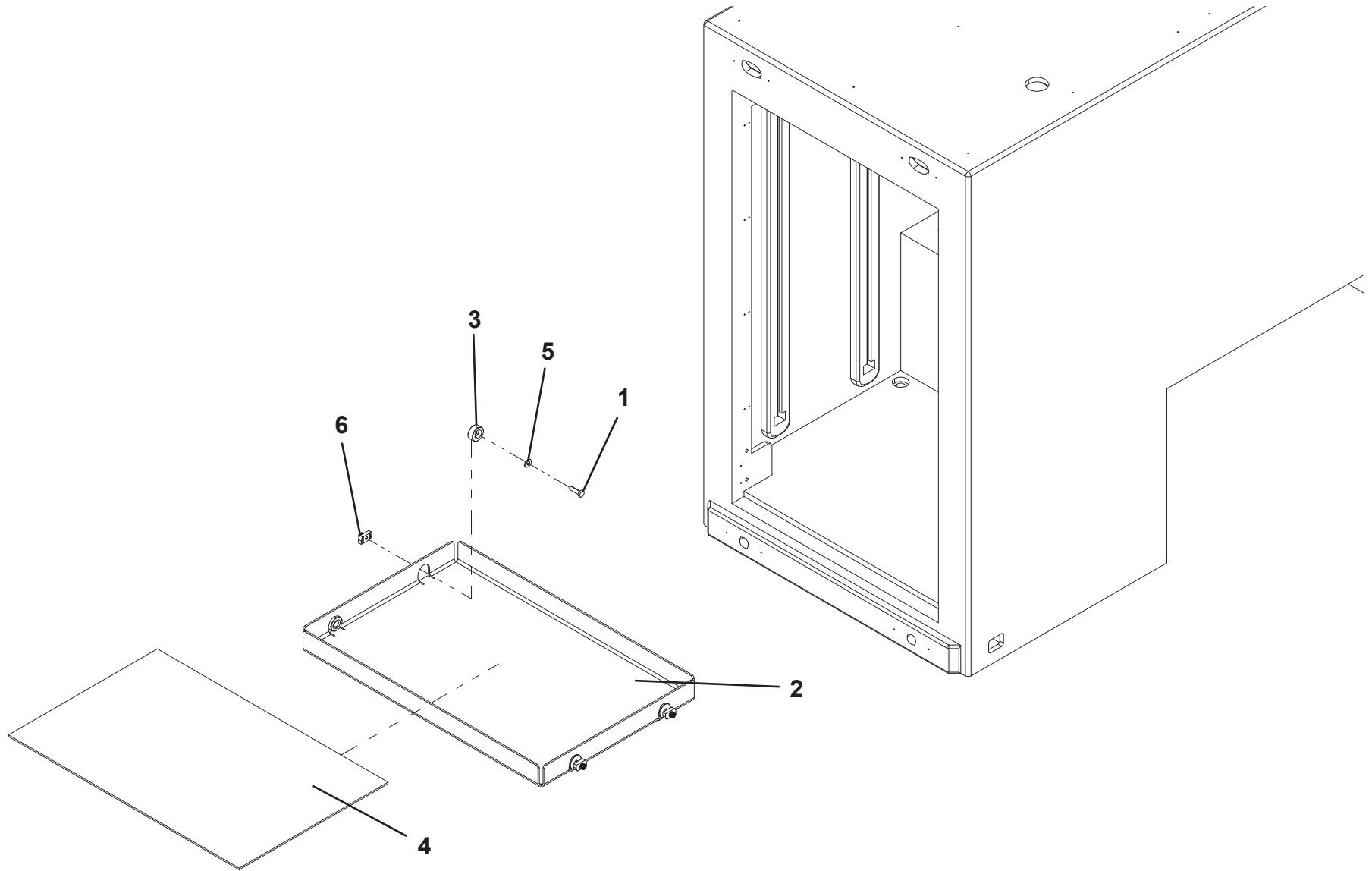
STAY DRY SILO INSTALLATION



SHELVING INSTALLATION - 37" TOOLBOX

ITEM	PART NO.	DESCRIPTION	QTY	REV
	1001214300	Shelving Installation 37" Toolbox	Ref	A
1	1001169080	Screw, 0.38"-16 x 1.25"	4	
2	1001190360	Shelf, 36"	1	
3	1001190579	Mount	4	
4	1001196386	Pad, 36"	1	
5	7950160143	Flatwasher, 0.38" ID	4	
6	1001166644	Nut, 0.38"-16	4	

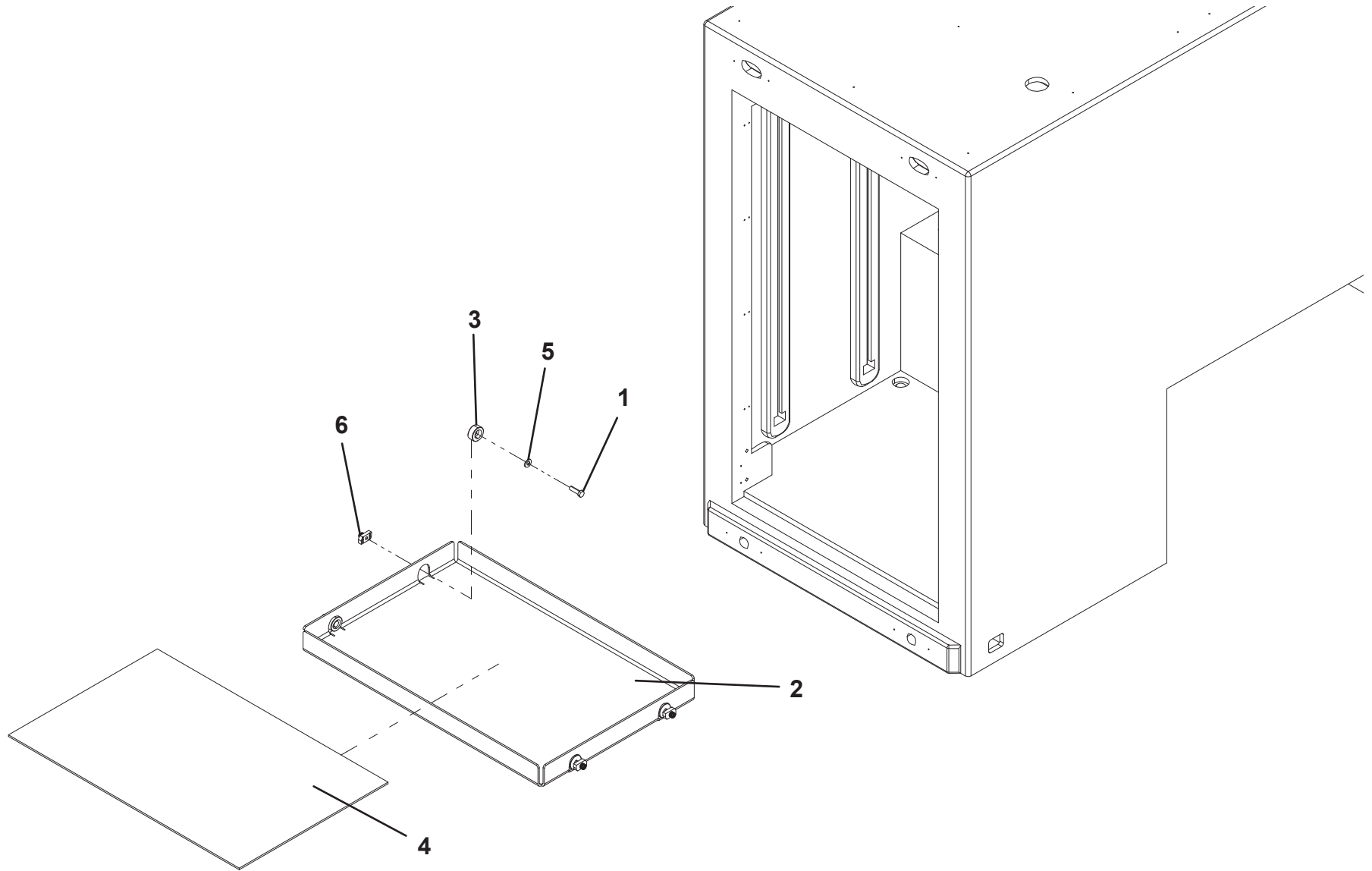
SHELVING INSTALLATION - 37" TOOLBOX



SHELVING INSTALLATION - 49" TOOLBOX

ITEM	PART NO.	DESCRIPTION	QTY	REV
	1001214299	Shelving Installation 49" Toolbox	Ref	A
1	1001169080	Screw, 0.38"-16 x 1.25"	4	
2	1001190532	Shelf, 48"	1	
3	1001190579	Mount	4	
4	1001196387	Pad, 48"	1	
5	7950160143	Flatwasher, 0.38" ID	4	
6	1001166644	Nut, 0.38"-16	4	

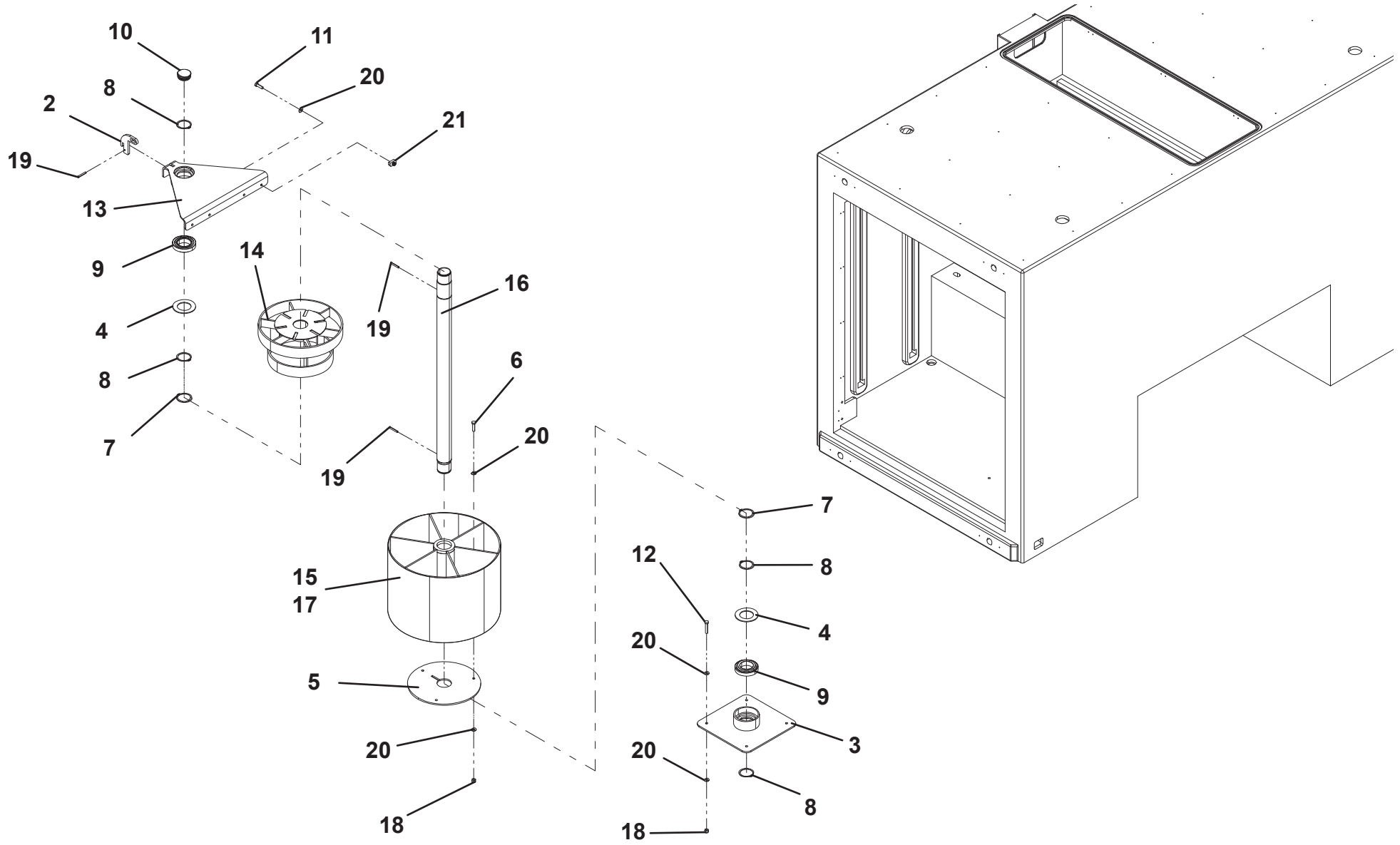
SHELVING INSTALLATION - 49" TOOLBOX



ROTARY CHAIN RACK

ITEM	PART NO.	DESCRIPTION	QTY	REV
	1001197183	Rotary Chain Rack	Ref	D
1	3020029	Bearing Grease	1	
2	1001165564	Plate	1	
3	1001165571	Bracket	1	
4	1001165584	Plate	2	
5	1001165652	Support	1	
6	1001168993	Screw, 0.38"-16 X 1.50"	3	
7	1001169063	Retaining Ring	2	
8	1001169064	Retaining Ring	4	
9	1001169076	Bearing	2	
10	1001169078	Plug	1	
11	1001169080	Screw, 0.38"-16 X 1.25"	2	
12	1001169083	Screw, 0.38"-16 X 2.00"	4	
13	1001190218	Bracket	1	
14	1001190223	Bracket	1	
15	1001190228	Tray	1	
16	1001190265	Tube	1	
17	7330000535	Decal	1	
18	7660162604	Locknut, 0.38"-16 NC	7	
19	7690142845	Pin	3	
20	7950160143	Flatwasher, 0.38" ID	16	
21	1001166644	Nut, 0.38"-16	2	

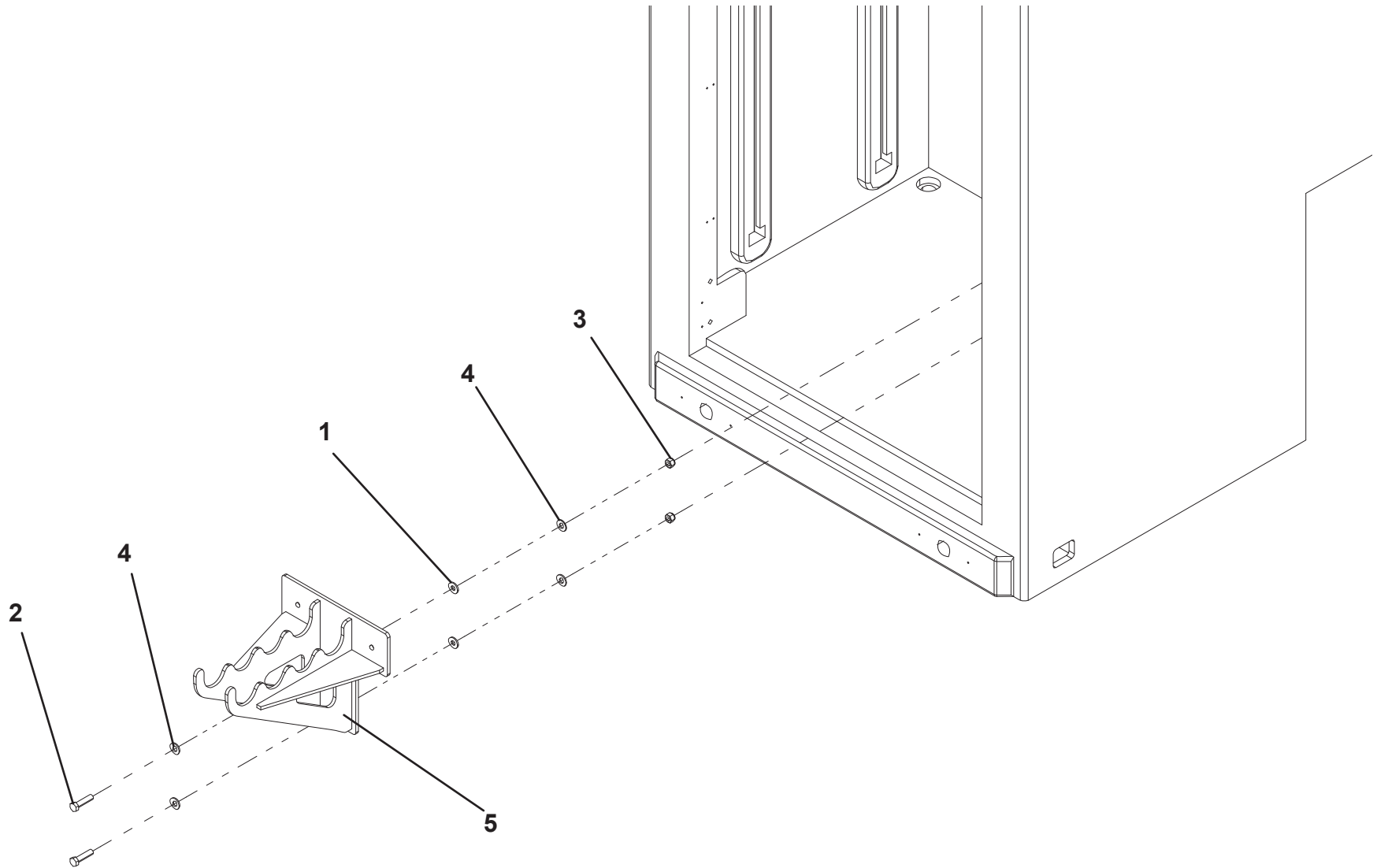
ROTARY CHAIN RACK



CHAIN BINDER INSTALLATION TANDEM

ITEM	PART NO.	DESCRIPTION	QTY	REV
	1001201341	Chain Binder Installation Tandem	Ref	A
1	1001166974	Washer, 0.38" ID	2	
2	1001168993	Screw, 0.38"-16 x 1.50"	2	
3	7660162601	Locknut, 0.38"-16	2	
4	7950160143	Flatwasher, 0.38" ID	4	
5	1001182853	Support	1	

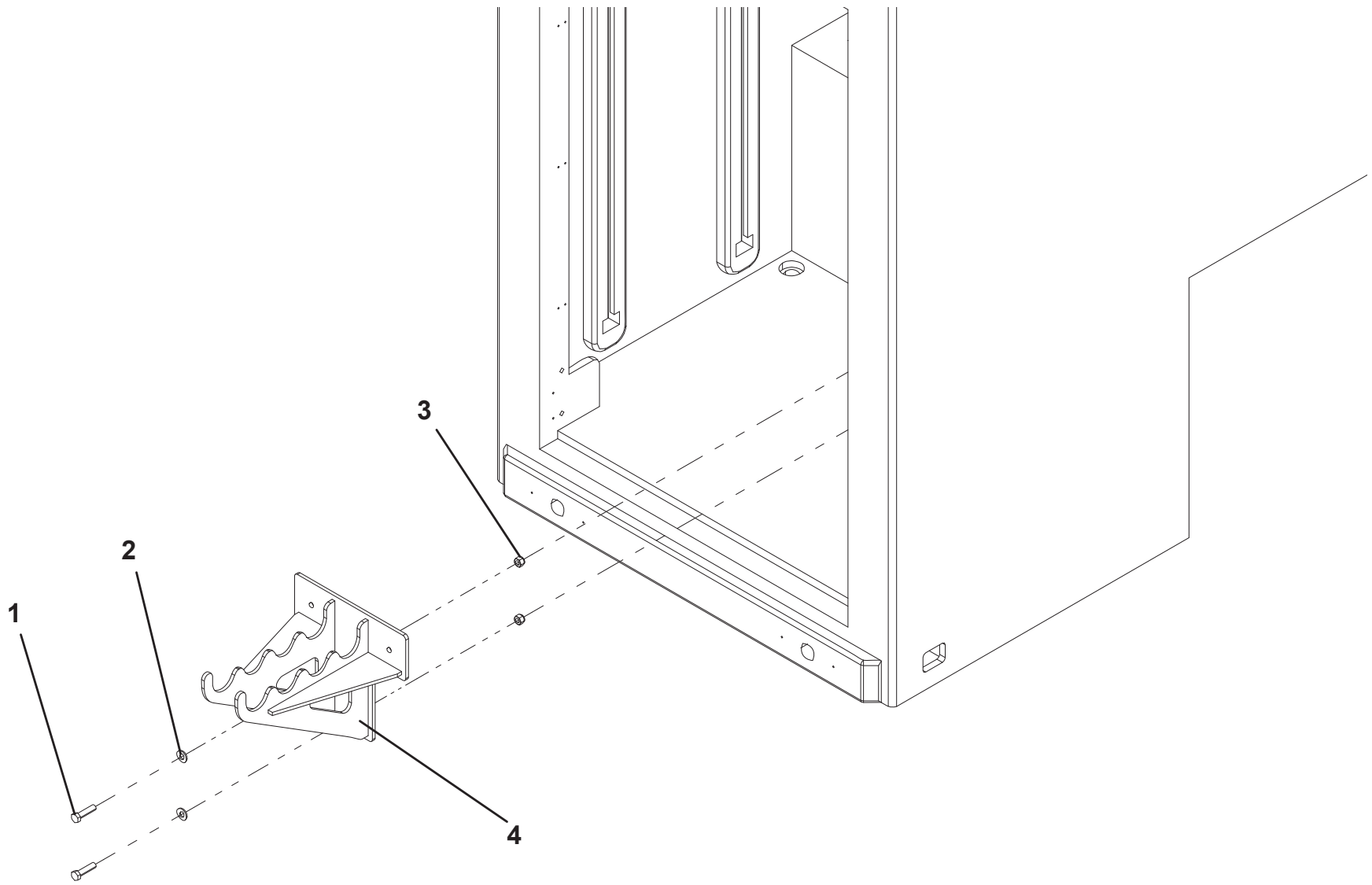
CHAIN BINDER INSTALLATION TANDEM



CHAIN BINDER INSTALLATION TRI-AXLE

ITEM	PART NO.	DESCRIPTION	QTY	REV
	1001201164	Chain Binder Installation Tri-Axle	Ref	A
1	1001169080	Screw, 0.38"-16 x 1.25"	2	
2	7950160143	Flatwasher, 0.38" ID	2	
3	1001166644	Nut, 0.38"-16	2	
4	1001182853	Support	1	

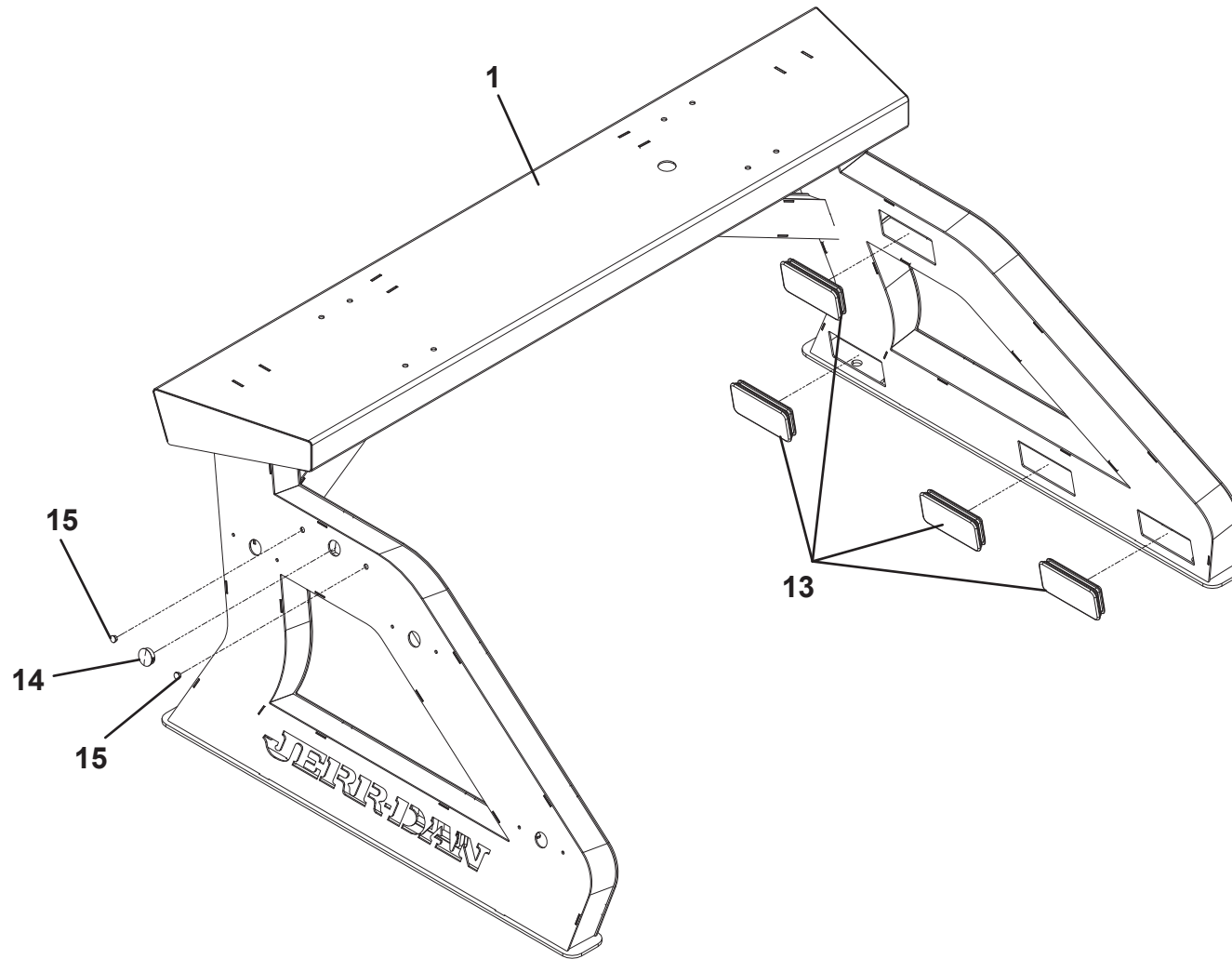
CHAIN BINDER INSTALLATION TRI-AXLE



PYLON INSTALLATION - 34" PYLON

ITEM	PART NO.	DESCRIPTION	QTY	REV
	1001209068	Pylon Installation - 34" Pylon	Ref	B
1	1001213102	34" Pylon	1	
13	7701000048	Plug	8	
14	7701000049	Plug	2	
15	7701000056	Plug	4	

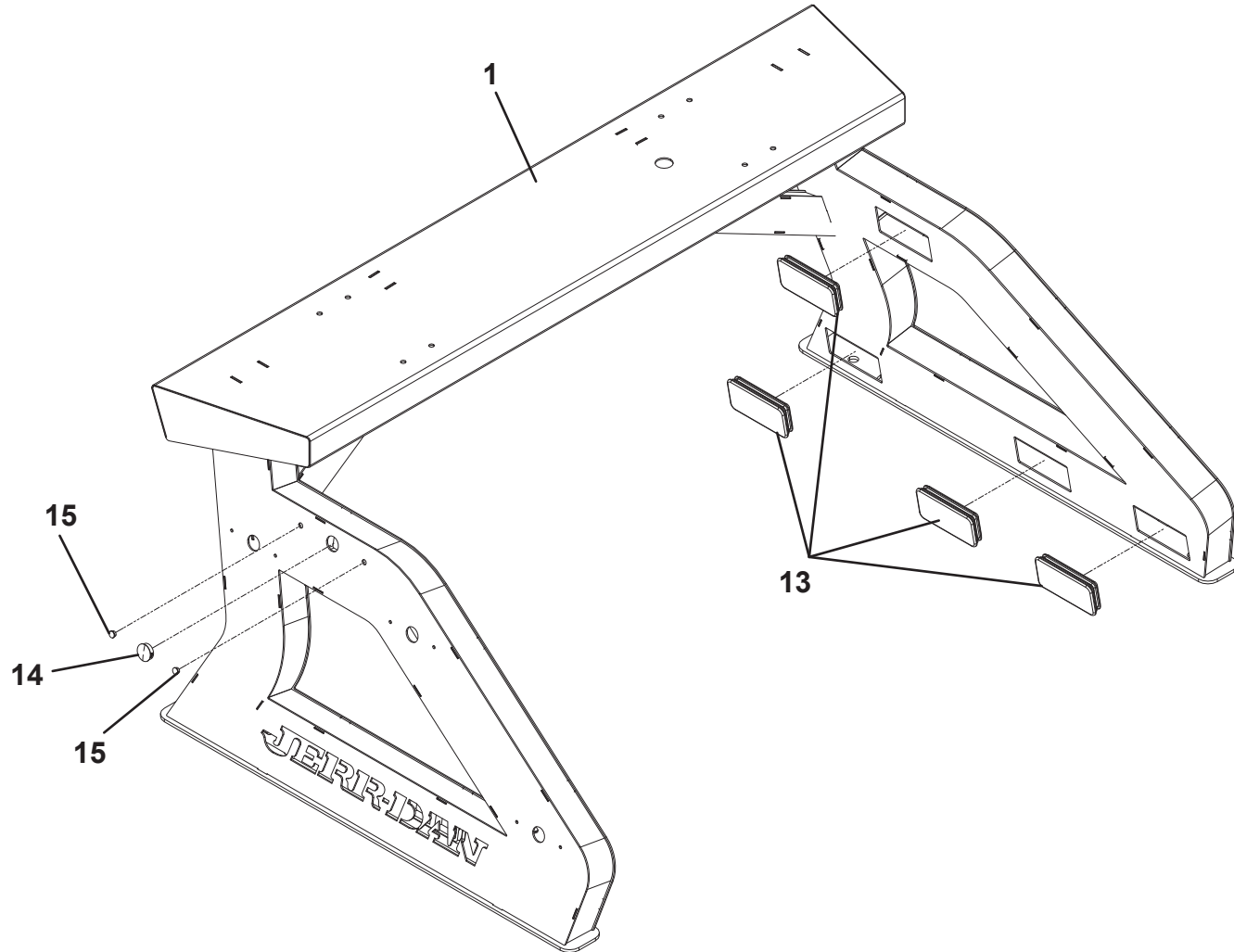
PYLON INSTALLATION - 34" PYLON



PYLON INSTALLATION - 39" PYLON

ITEM	PART NO.	DESCRIPTION	QTY	REV
	1001209069	Pylon Installation - 39" Pylon	Ref	B
1	1001213509	39" Pylon	1	
13	7701000048	Plug	8	
14	7701000049	Plug	2	
15	7701000056	Plug	4	

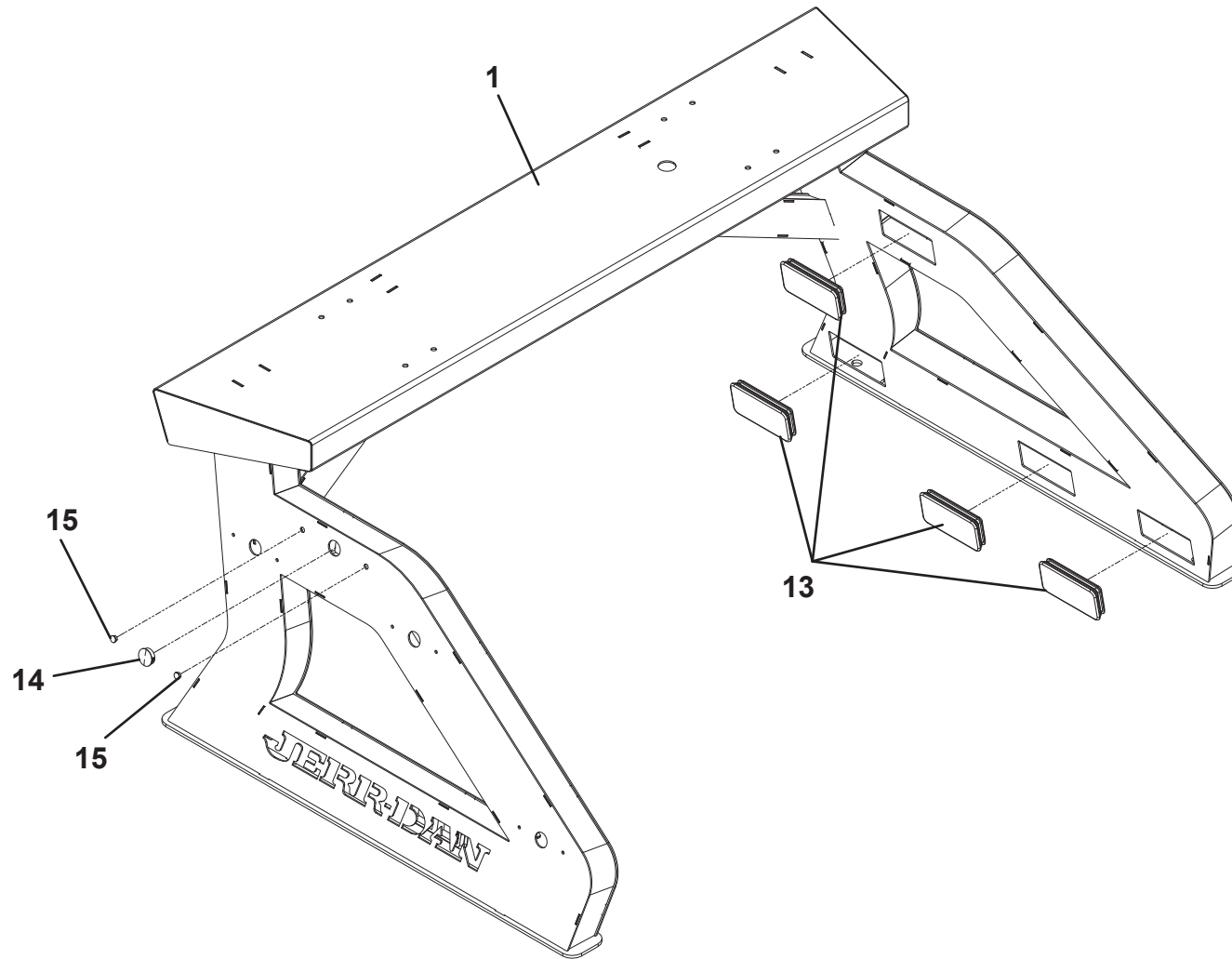
PYLON INSTALLATION - 39" PYLON



PYLON INSTALLATION - 57" PYLON

ITEM	PART NO.	DESCRIPTION	QTY	REV
	1001209070	Pylon Installation - 57" Pylon	Ref	B
1	1001214577	57" Pylon	1	
13	7701000048	Plug	8	
14	7701000049	Plug	2	
15	7701000056	Plug	4	

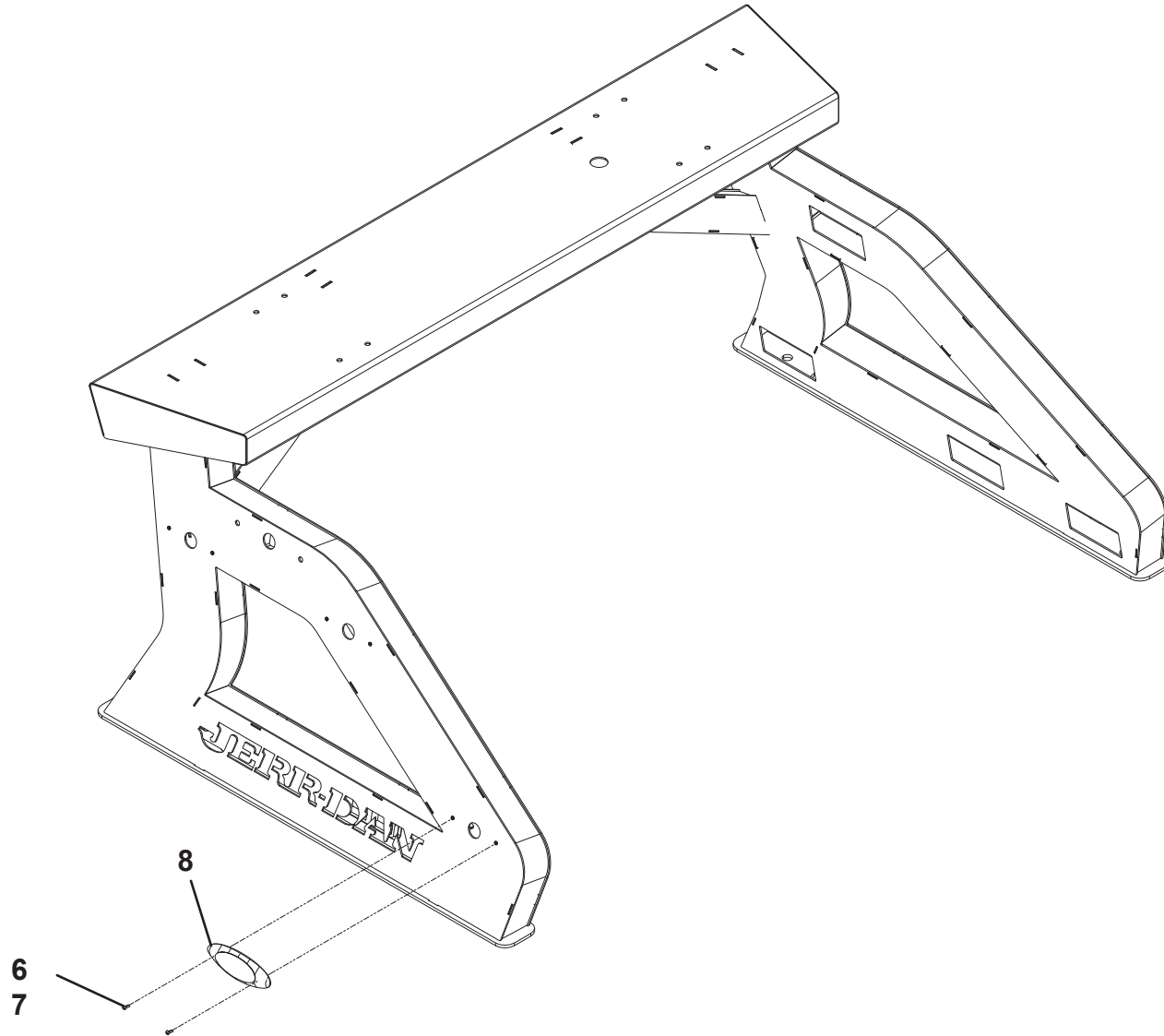
PYLON INSTALLATION - 57" PYLON



PYLON LIGHT INSTALLATION - ALL

ITEM	PART NO.	DESCRIPTION	QTY	REV
	1001207488	Pylon Light Installation - ALL	Ref	B
6	1001151546	Nut, #8 - 32NC	12	
7	7114080418	Screw, #8 - 32NC x 0.50"	12	
8	7590000262	Light, Amber	6	

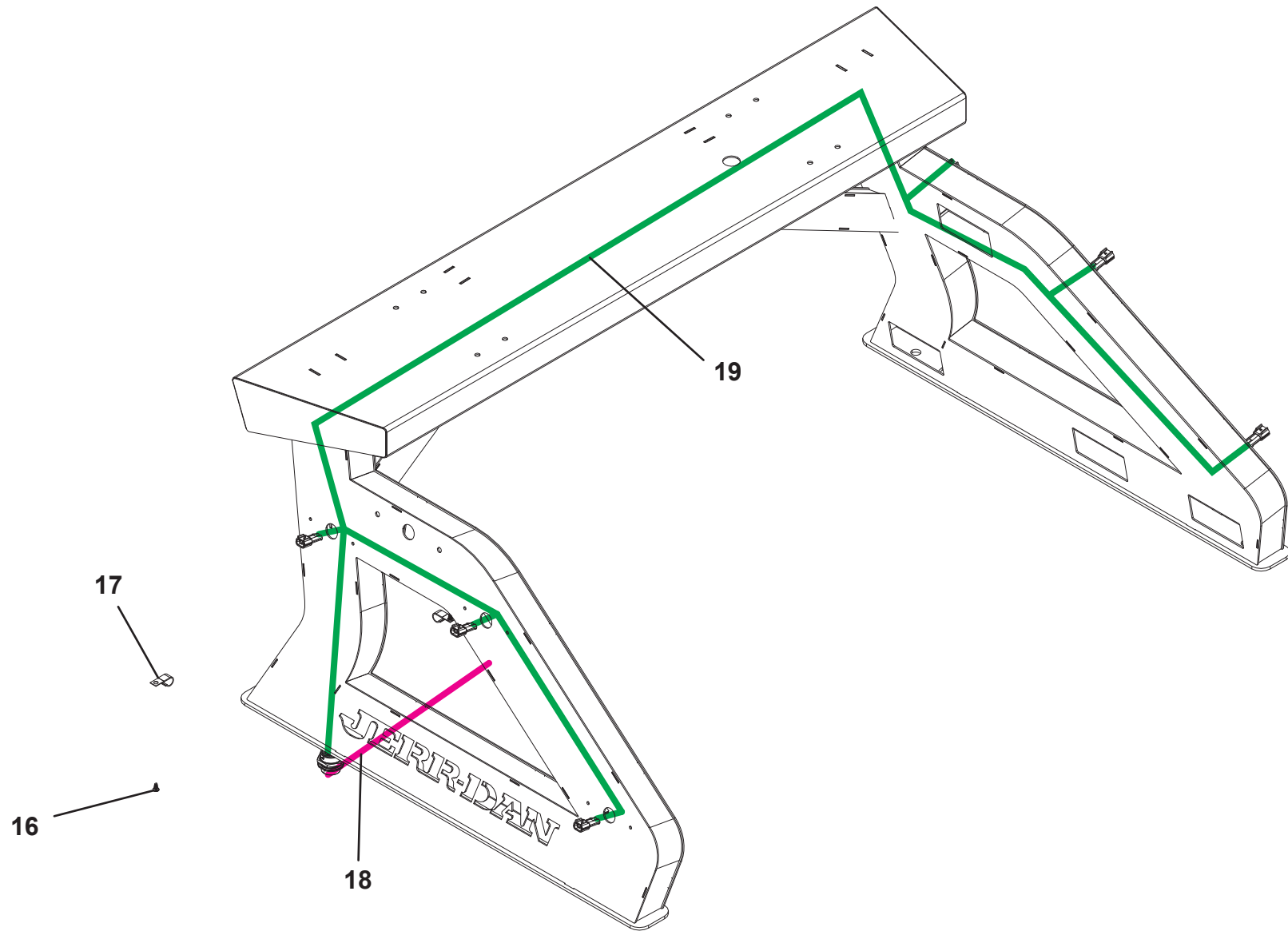
PYLON LIGHT INSTALLATION - ALL



PYLON HARNESS INSTALLATION - 34" AND 39" PYLON

ITEM	PART NO.	DESCRIPTION	QTY	REV
	1001215020	Pylon Harness Installation - 34" & 39" Pylon	Ref	B
16	1001195257	Screw, 0.25" x 0.50"	3	
17	7280000006	Clip	3	
18	1001189656	Headboard Harness, 34" & 39"	1	
19	1001189657	Headboard Harness, Main 34" & 39"	1	

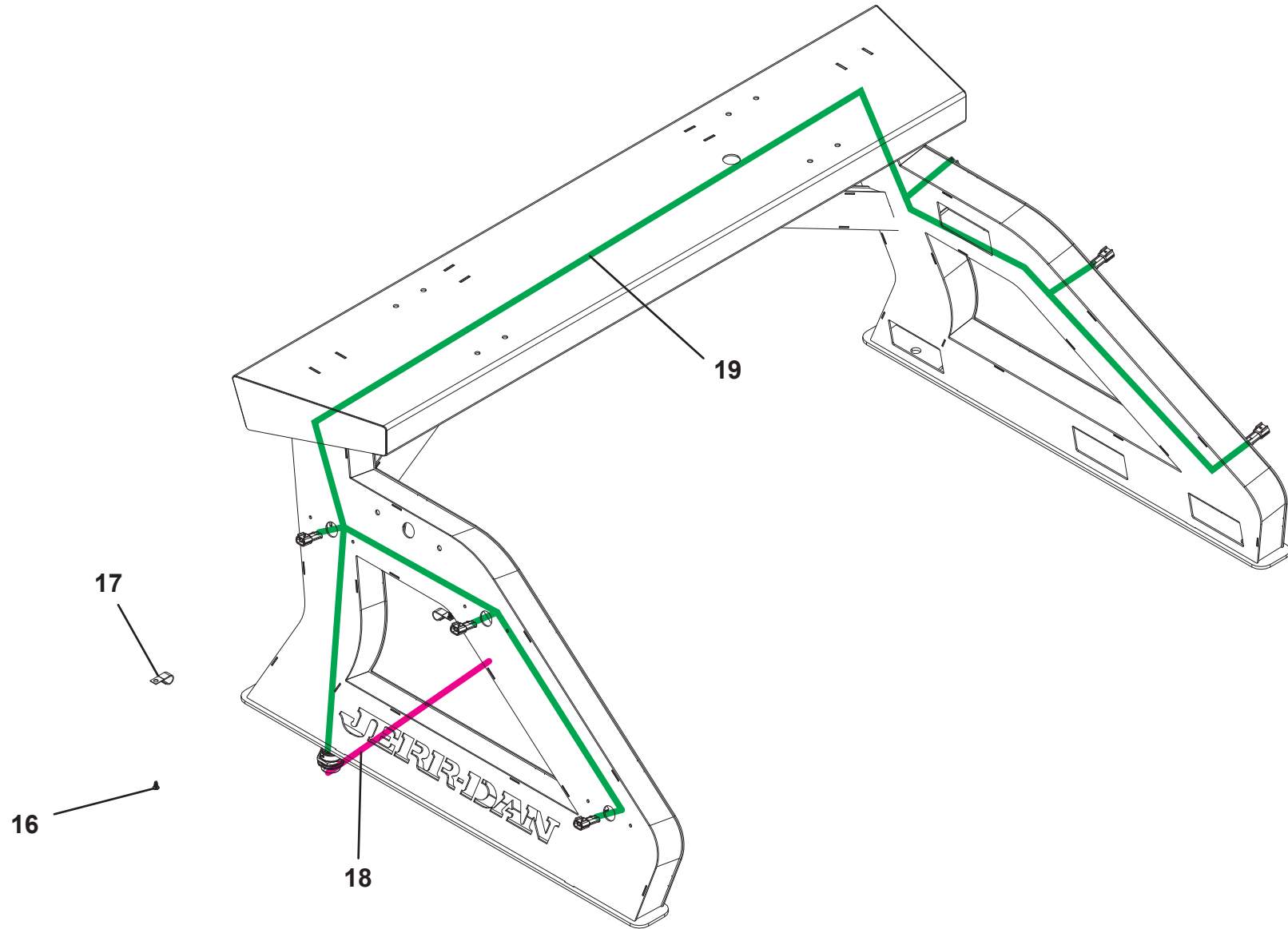
PYLON HARNESS INSTALLATION - 34" AND 39" PYLON



PYLON HARNESS INSTALLATION - 57" PYLON

ITEM	PART NO.	DESCRIPTION	QTY	REV
	1001215034	Pylon Harness Installation - 57" Pylon	Ref	B
16	1001195257	Screw, 0.25" x 0.50"	3	
17	7280000006	Clip	3	
18	1001214605	Headboard Harness, 57"	1	
19	1001215110	Headboard Harness, Main 57"	1	

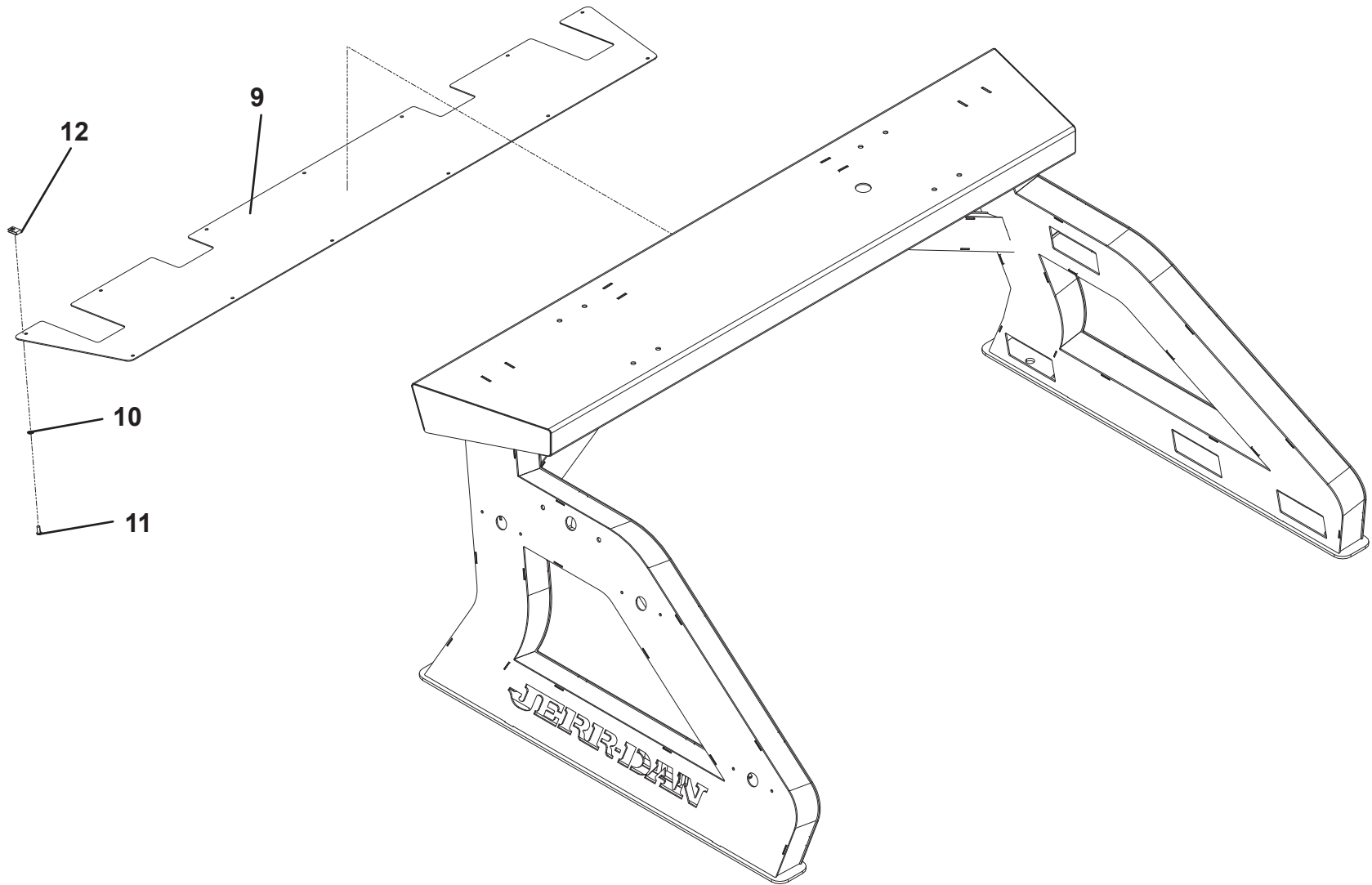
PYLON HARNESS INSTALLATION - 57" PYLON



PYLON COVER INSTALLATION - 34" PYLON

ITEM	PART NO.	DESCRIPTION	QTY	REV
	1001214252	Pylon Cover Installation - 34" Pylon	Ref	B
9	1001213093	Plate, 34"	1	
10	1001143686	Washer, 0.25" ID	12	
11	7114140518	Screw, 0.25" - 20NC x 0.625"	12	
12	7661000019	U-Nut, 0.25" - 20NC	12	

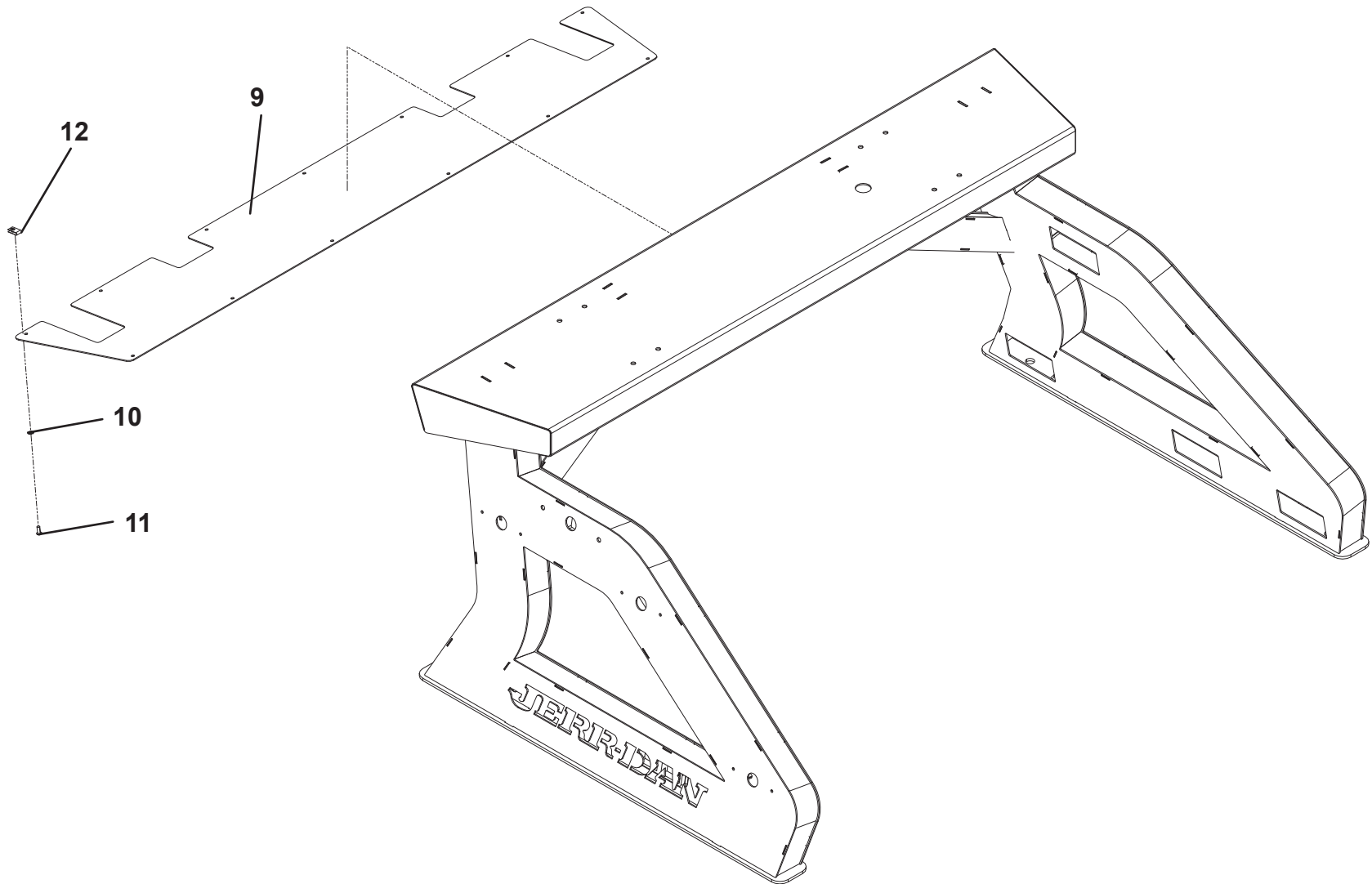
PYLON COVER INSTALLATION - 34" PYLON



PYLON COVER INSTALLATION - 39" PYLON

ITEM	PART NO.	DESCRIPTION	QTY	REV
	1001214262	Pylon Cover Installation - 39" Pylon	Ref	B
9	1001213522	Plate, 39"	1	
10	1001143686	Washer, 0.25" ID	12	
11	7114140518	Screw, 0.25" - 20NC x 0.625"	12	
12	7661000019	U-Nut, 0.25" - 20NC	12	

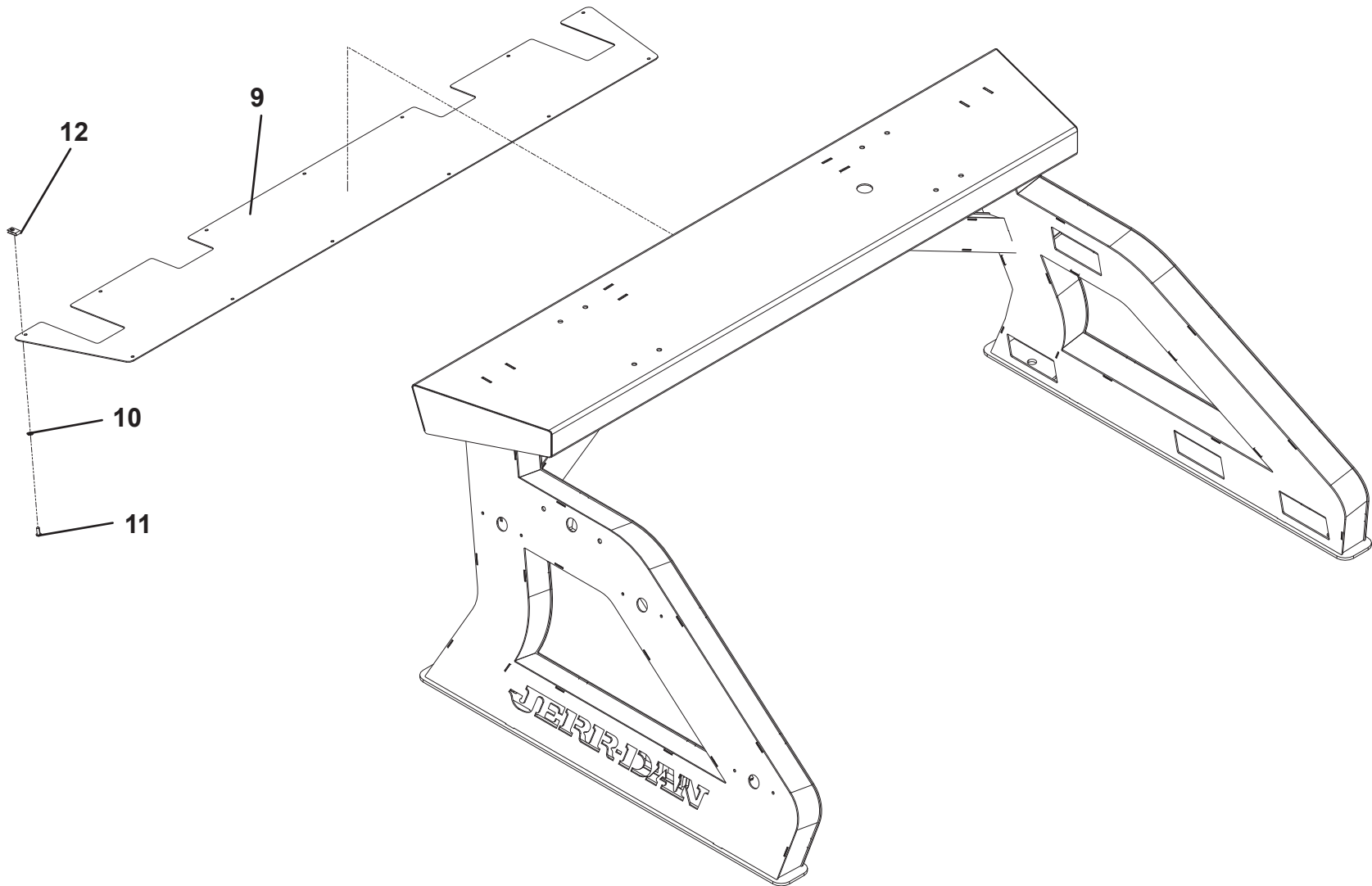
PYLON COVER INSTALLATION - 39" PYLON



PYLON COVER INSTALLATION - 57" PYLON

ITEM	PART NO.	DESCRIPTION	QTY	REV
	1001214973	Pylon Cover Installation - 57" Pylon	Ref	B
9	1001214590	Plate, 57"	1	
10	1001143686	Washer, 0.25" ID	12	
11	7114140518	Screw, 0.25" - 20NC x 0.625"	12	
12	7661000019	U-Nut, 0.25" - 20NC	12	

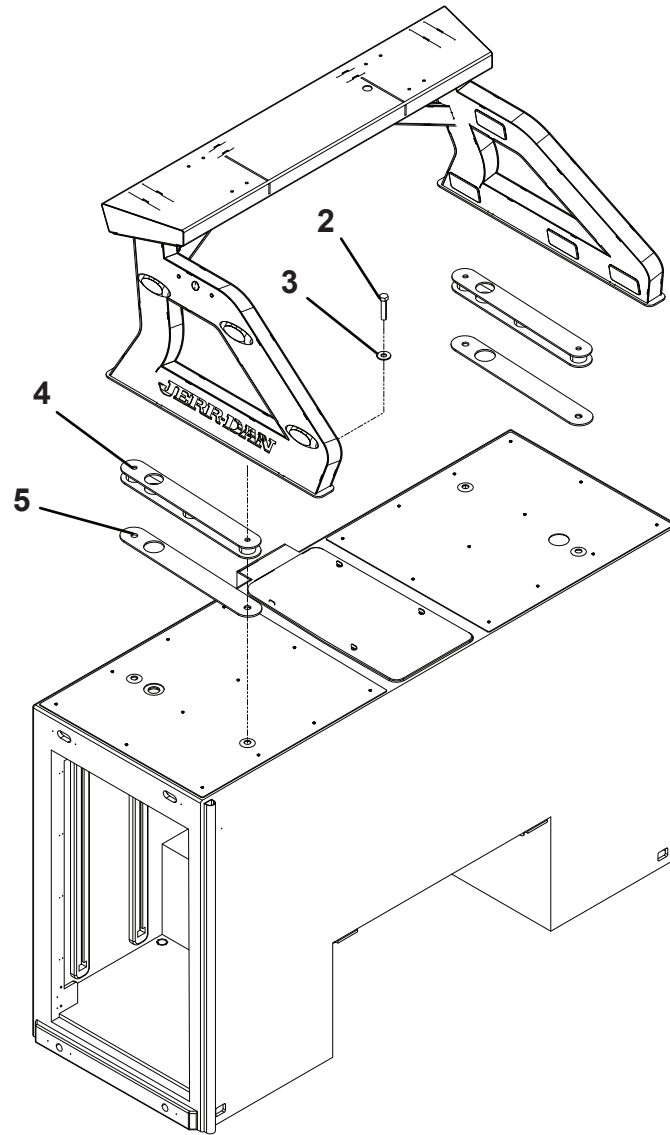
PYLON COVER INSTALLATION - 57" PYLON



PYLON ADAPTER INSTALLATION - 39" TUNNEL (34" AND 39" PYLON)

ITEM	PART NO.	DESCRIPTION	QTY	REV
	1001214336	Pylon Adapter Installation - 39" Tunnel (34" & 39" Pylon)	Ref	A
2	0642228	Capscrew, 0.75" - 10NC x 3.50"	4	
3	4752200	Washer, 0.75" ID	4	
4	1001213112	Mount, 24"	2	
5	1001214350	Seal, 24"	2	

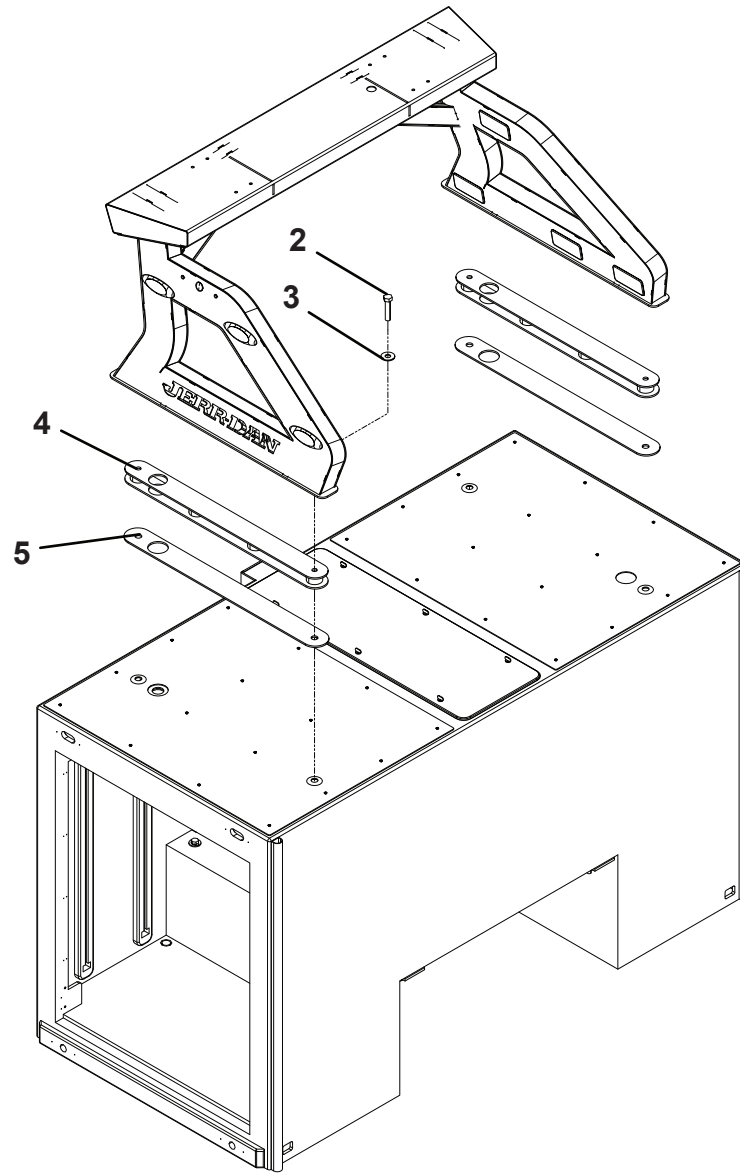
PYLON ADAPTER INSTALLATION - 39" TUNNEL (34" AND 39" PYLON)



PYLON ADAPTER INSTALLATION - 51" TUNNEL (57" PYLON)

ITEM	PART NO.	DESCRIPTION	QTY	REV
	1001214335	Pylon Adapter Installation - 51" Tunnel (57" Pylon)	Ref	A
2	0642228	Capscrew, 0.75" - 10NC x 3.50"	4	
3	4752200	Washer, 0.75" ID	4	
4	1001213111	Mount, 36"	2	
5	1001214130	Seal, 36"	2	

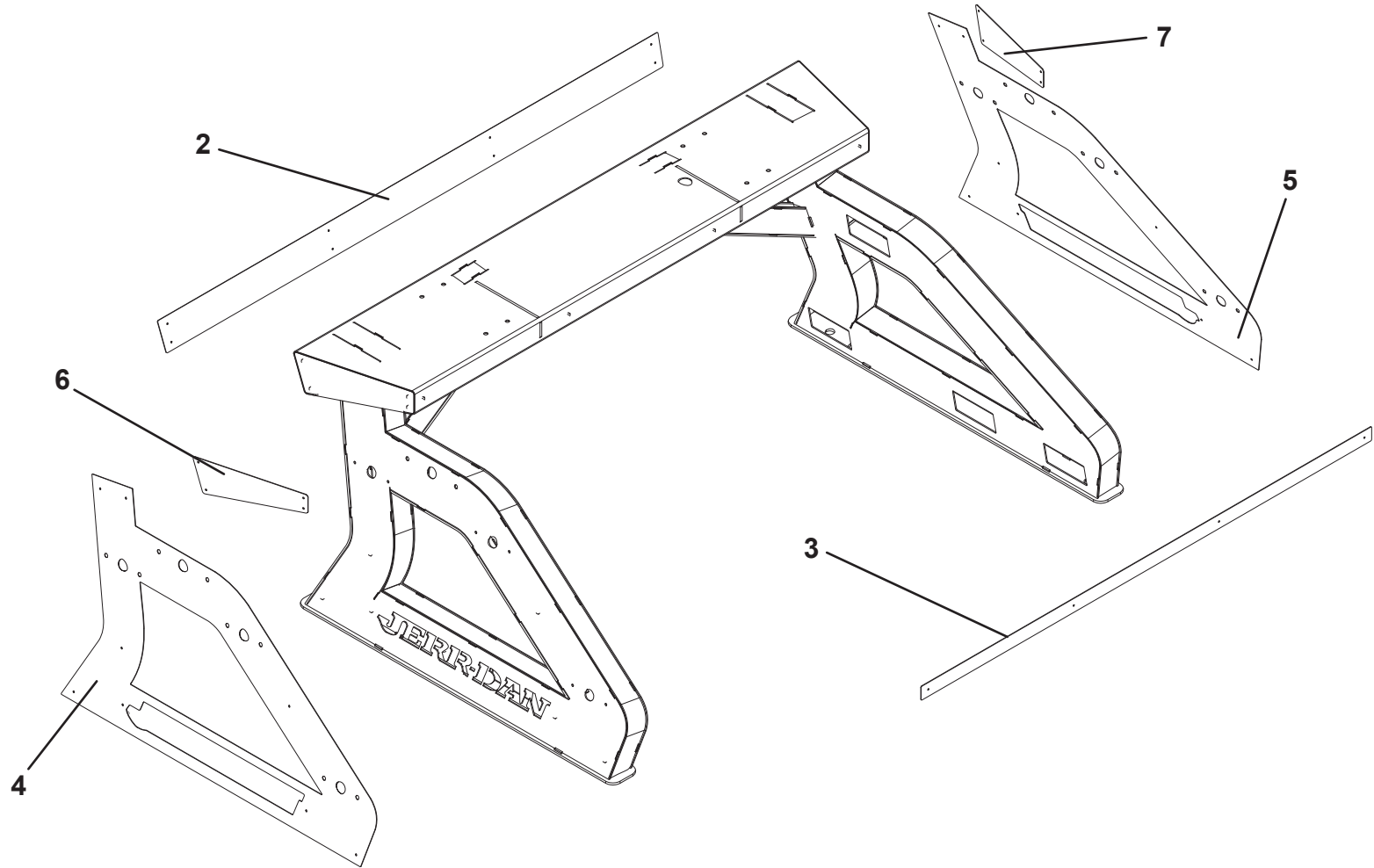
PYLON ADAPTER INSTALLATION - 51" TUNNEL (57" PYLON)



PYLON DRESS-UP KIT - 34" PYLON

ITEM	PART NO.	DESCRIPTION	QTY	REV
	1001228895	Pylon Dress-Up Kit - 34" Pylon	Ref	A
1	1001156424	Pop Rivet (Not Shown)	42	
2	1001220169	Plate, Front	1	
3	1001220234	Plate, Back	1	
4	1001220345	Plate, Side LH	1	
5	1001220349	Plate, Side RH	1	
6	1001220352	Plate, Top Side LH	1	
7	1001220353	Plate, Top Side RH	1	

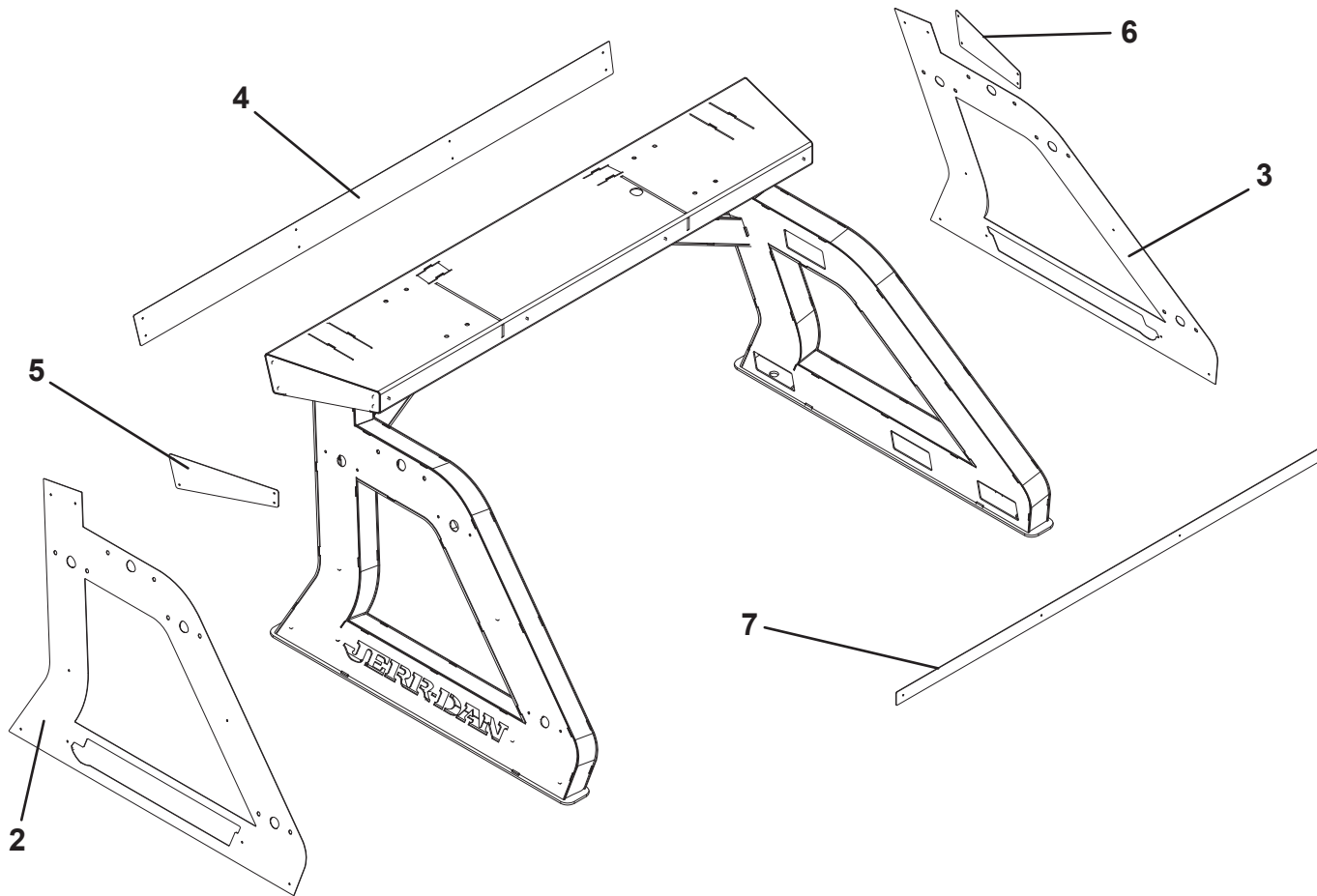
PYLON DRESS-UP KIT - 34" PYLON



PYLON DRESS-UP KIT - 39" PYLON

ITEM	PART NO.	DESCRIPTION	QTY	REV
	1001228898	Pylon Dress-Up Kit - 39" Pylon	Ref	A
1	1001156424	Pop Rivet (Not Shown)	44	
2	1001220167	Plate, Side LH	1	
3	1001220168	Plate, Side RH	1	
4	1001220169	Plate, Front	1	
5	1001220170	Plate, Top Side LH	1	
6	1001220171	Plate, Top Side RH	1	
7	1001220234	Plate, Back	1	

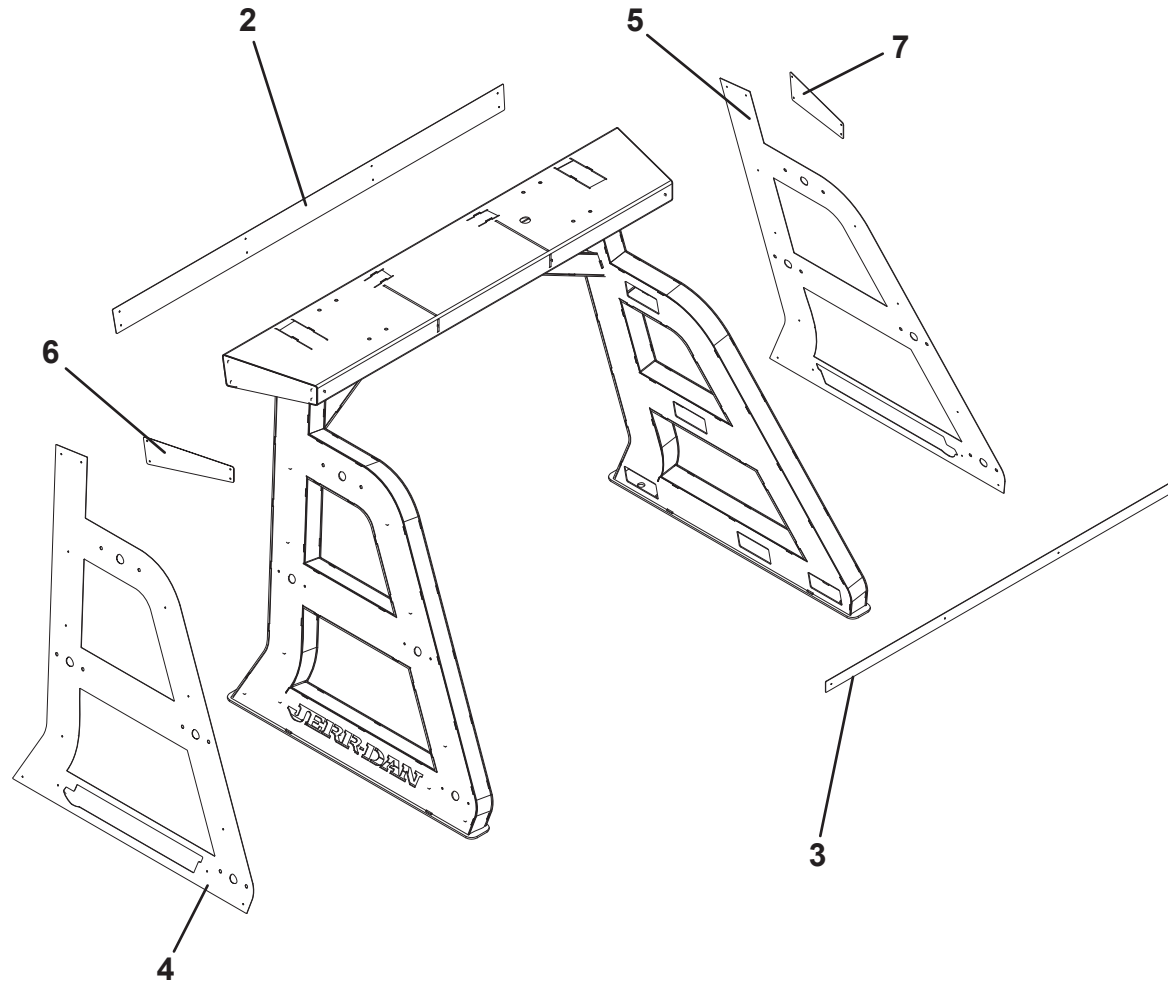
PYLON DRESS-UP KIT - 39" PYLON



PYLON DRESS-UP KIT - 57" PYLON

ITEM	PART NO.	DESCRIPTION	QTY	REV
	1001220186	Pylon Dress-Up Kit - 57" Pylon	Ref	B
1	1001156424	Pop Rivet (Not Shown)	52	
2	1001220169	Plate, Front	1	
3	1001220234	Plate, Back	1	
4	1001220350	Plate, Side LH	1	
5	1001220351	Plate, Side RH	1	
6	1001220354	Plate, Top Side LH	1	
7	1001220355	Plate, Top Side RH	1	

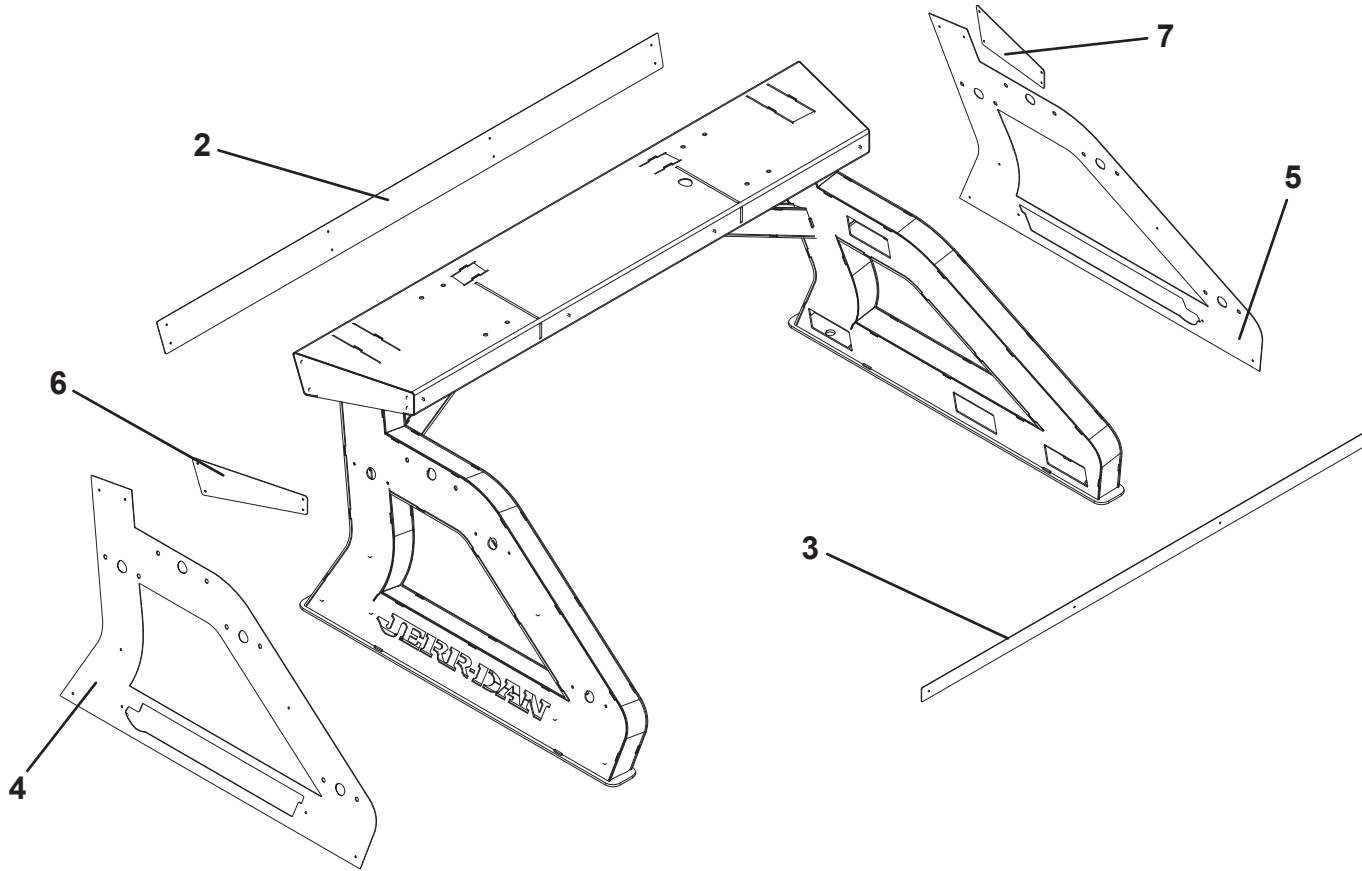
PYLON DRESS-UP KIT - 57" PYLON



PYLON DRESS-UP KIT - 34" PYLON - POLISHED

ITEM	PART NO.	DESCRIPTION	QTY	REV
	1001228897	Pylon Dress-Up Kit - 34" Pylon - Polished	Ref	A
1	1001156424	Pop Rivet (Not Shown)	42	
2	1001220363	Plate, Front	1	
3	1001220364	Plate, Back	1	
4	1001220369	Plate, Side LH	1	
5	1001220370	Plate, Side RH	1	
6	1001220371	Plate, Top Side LH	1	
7	1001220372	Plate, Top Side RH	1	

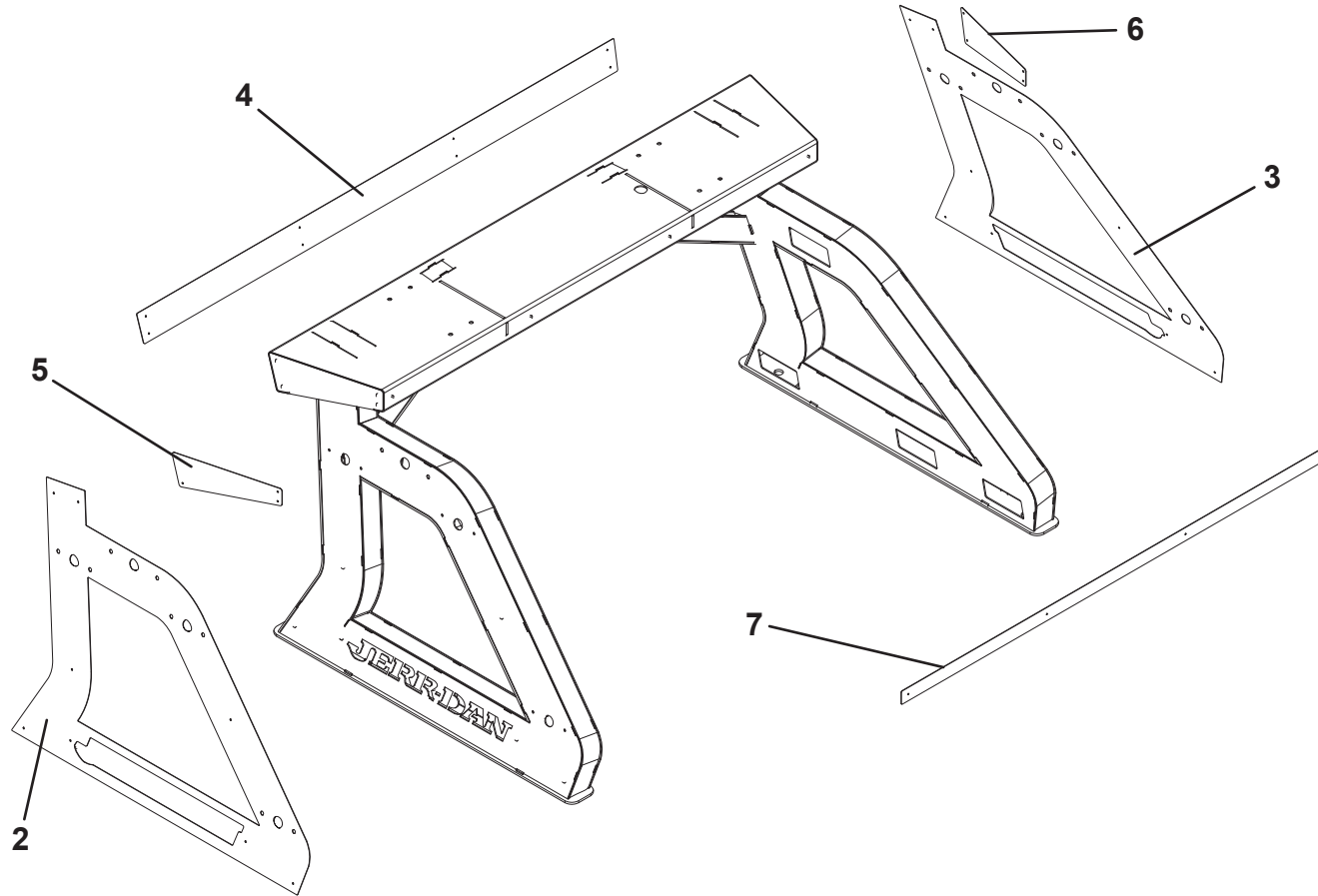
PYLON DRESS-UP KIT - 34" PYLON - POLISHED



PYLON DRESS-UP KIT - 39" PYLON - POLISHED

ITEM	PART NO.	DESCRIPTION	QTY	REV
	1001228899	Pylon Dress-Up Kit - 39" Pylon - Polished	Ref	A
1	1001156424	Pop Rivet (Not Shown)	44	
2	1001220365	Plate, Side LH	1	
3	1001220366	Plate, Side RH	1	
4	1001220369	Plate, Front	1	
5	1001220370	Plate, Top Side LH	1	
6	1001220373	Plate, Top Side RH	1	
7	1001220374	Plate, Back	1	

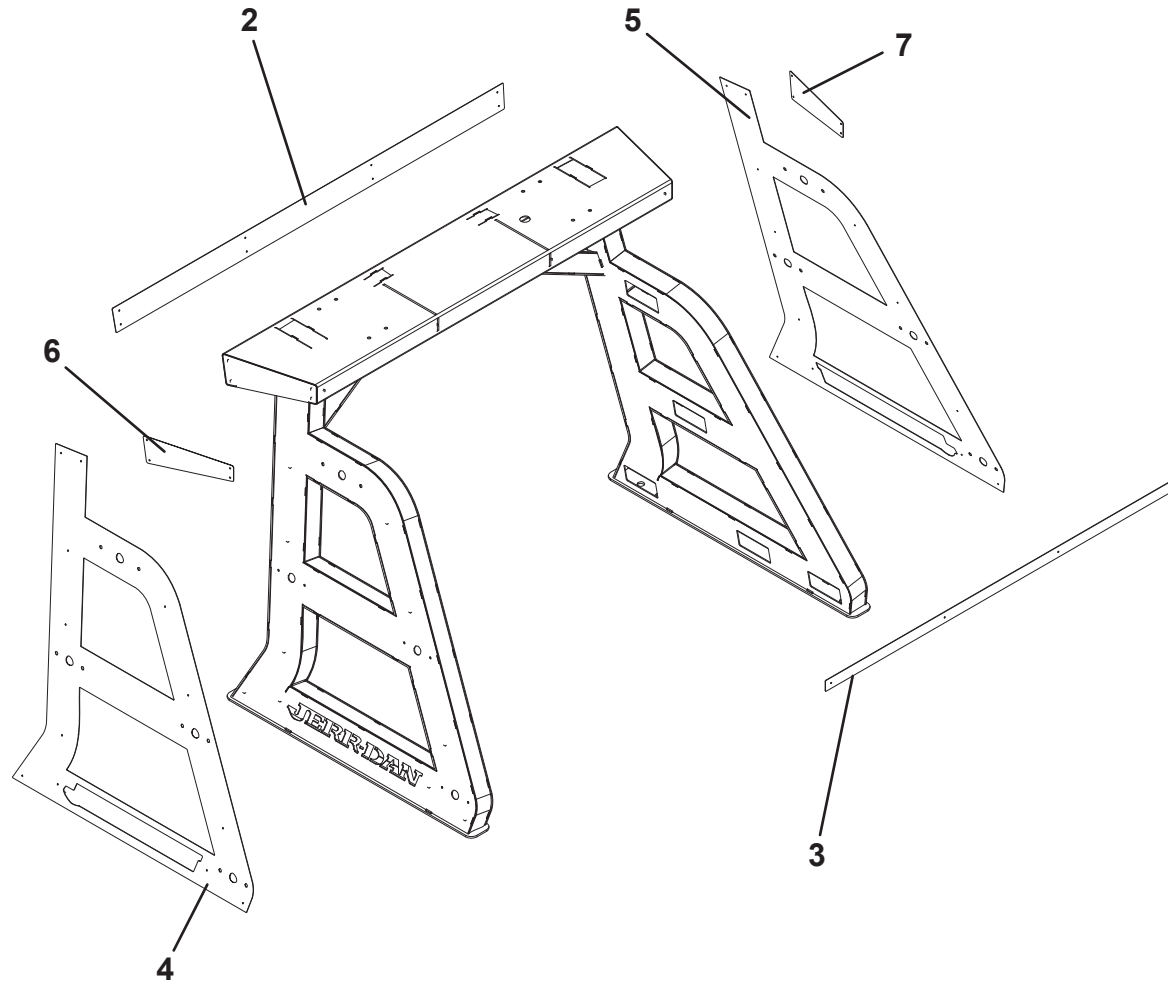
PYLON DRESS-UP KIT - 39" PYLON - POLISHED



PYLON DRESS-UP KIT - 57" PYLON - POLISHED

ITEM	PART NO.	DESCRIPTION	QTY	REV
	1001220348	Pylon Dress-Up Kit - 57" Pylon - Polished	Ref	B
1	1001156424	Pop Rivet (Not Shown)	52	
2	1001220367	Plate, Front	1	
3	1001220368	Plate, Back	1	
4	1001220369	Plate, Side LH	1	
5	1001220370	Plate, Side RH	1	
6	1001220375	Plate, Top Side LH	1	
7	1001220376	Plate, Top Side RH	1	

PYLON DRESS-UP KIT - 57" PYLON - POLISHED



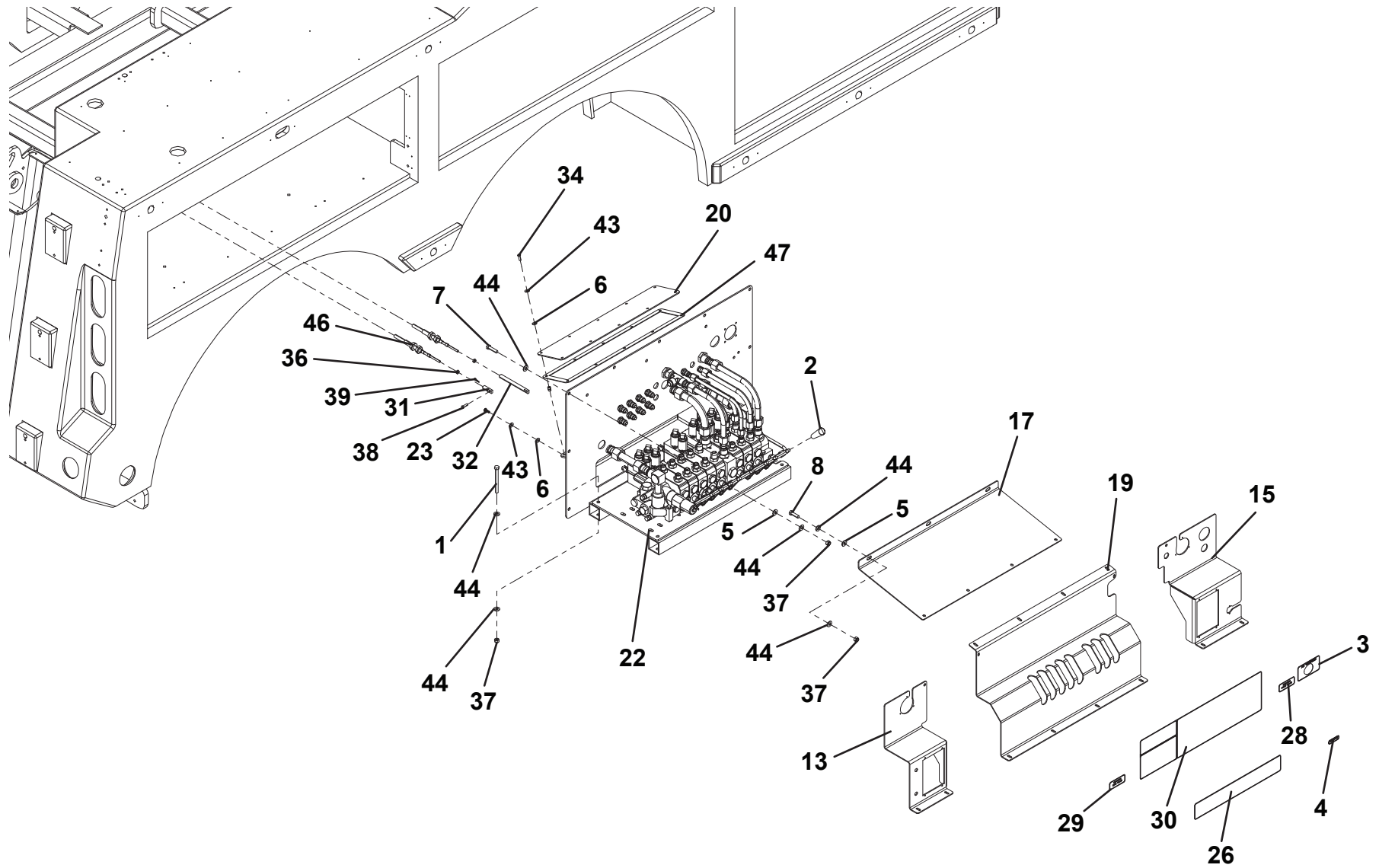
THIS PAGE INTENTIONALLY LEFT BLANK

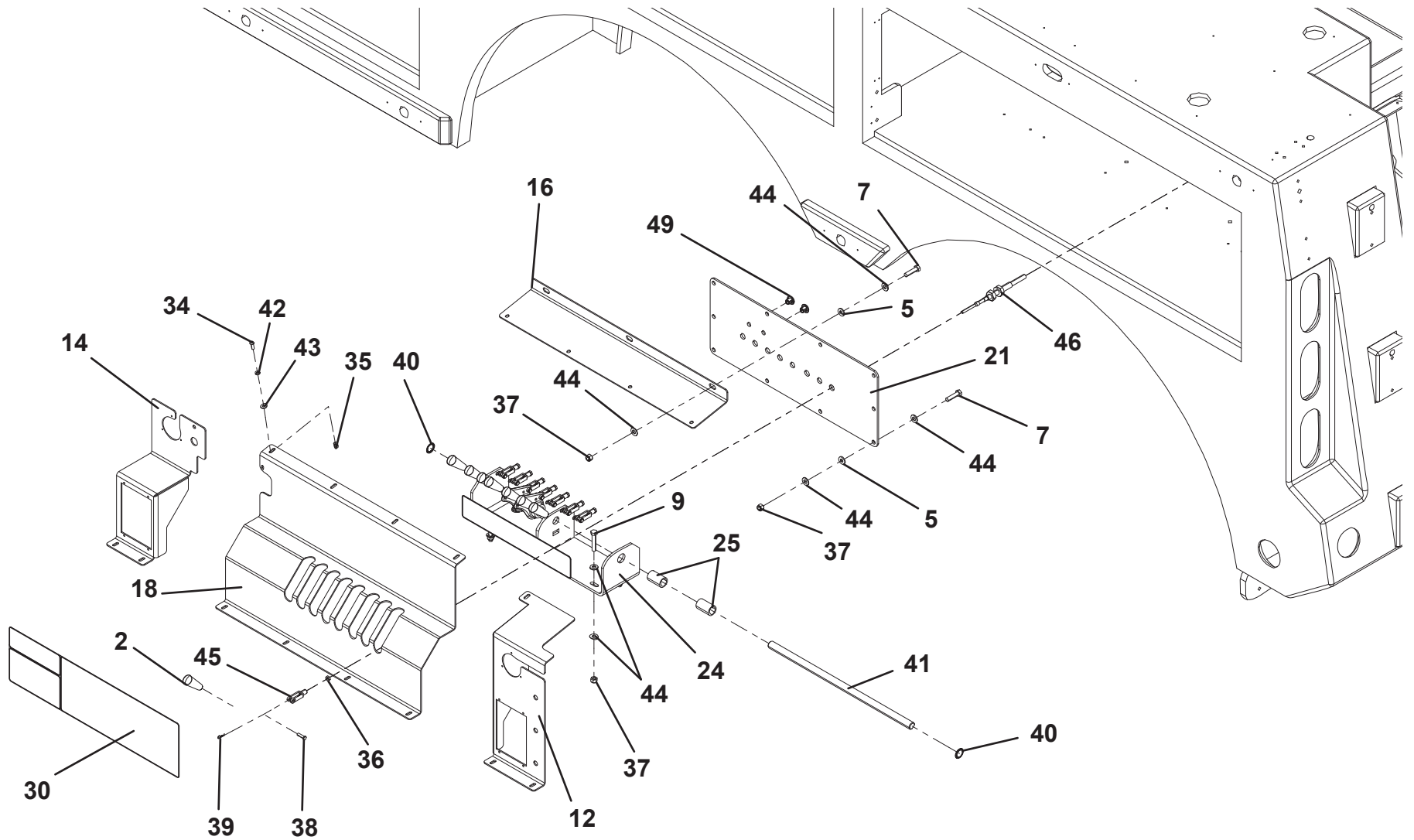
SECTION 4 - CONTROL

CONTROL INSTALLATION - 8 SECTION - 6 SOLENOID (PRIOR TO S/N 0230004251)

ITEM	PART NO.	DESCRIPTION	QTY	REV	ITEM	PART NO.	DESCRIPTION	QTY	REV
	1001207714	Control Installation - 8 Section - 6 Solenoid	Ref	B	37	7660162601	Locknut, 0.38"-16NC	33	
1	641632	Capscrew, 0.38"-16 X 4.00"	4		38	7690141200	Pin	16	
2	1001130491	Control Knob	16		39	7691000075	Pin	16	
3	1001134433	Decal	1		40	7754000009	Retaining Ring	2	
4	1001154277	Decal	1		41	7806000008	Shaft	1	
5	1001166974	Washer, 0.38"	25		42	7950140003	Lockwasher, 0.25" ID	11	
6	1001166978	Washer, 0.25"	13		43	7950140143	Flatwasher, 0.25" ID	40	
7	1001168993	Capscrew, 0.38"-16 X 1.50"	22		44	7950160143	Flatwasher, 0.38" ID	66	
8	1001169080	Capscrew, 0.38"-16 X 1.25"	3		45	7990000003	Yoke	8	
9	1001169083	Capscrew, 0.38"-16 X 2.00"	4		46	7248000053	Cable Push Pull	8	
10	1001184827	Handle, Long	2		47	7796000012	Seal	3.5FT	
11	1001184828	Handle, Short	6		48	3520064	Plug	2	
12	1001189779	Panel, Controls Rear LH	1		49	1001201079	Plug	2	
13	1001189780	Panel, Controls Rear RH	1						
14	1001189781	Panel, Controls Front LH	1						
15	1001189782	Panel, Controls Front RH	1						
16	1001189783	Panel, Controls Top LH	1						
17	1001189784	Panel, Controls Top RH	1						
18	1001189785	Panel, Controls 8 Sect LH	1						
19	1001189786	Panel, Controls 8 Sect RH	1						
20	1001189993	Panel, Cable Bracket Cover	1						
21	1001189994	Plate	1						
22	1001194284	Valve Sub Assembly (See Separate Breakdown in this Section)	1						
23	1001194676	Screw, 0.25" X 0.75"	19						
24	1001194682	Bracket	1						
25	1001194736	Spacer	2						
26	1001196907	Decal	1						
27	1001196908	Decal	1						
28	1001196909	Decal	1						
29	1001196910	Decal	1						
30	1001196911	Decal	2						
31	4309000001	Coupling	6						
32	4309000007	Coupling	2						
33	7082000005	Bearing	2						
34	7114140618	Screw, 0.25"-20 X 0.75"	21						
35	7413000002	Nutsert, 0.25"-20	21						
36	7660140230	Nut, 0.25"-28	16						

CONTROL INSTALLATION - 8 SECTION - 6 SOLENOID (PRIOR TO S/N 0230004251)



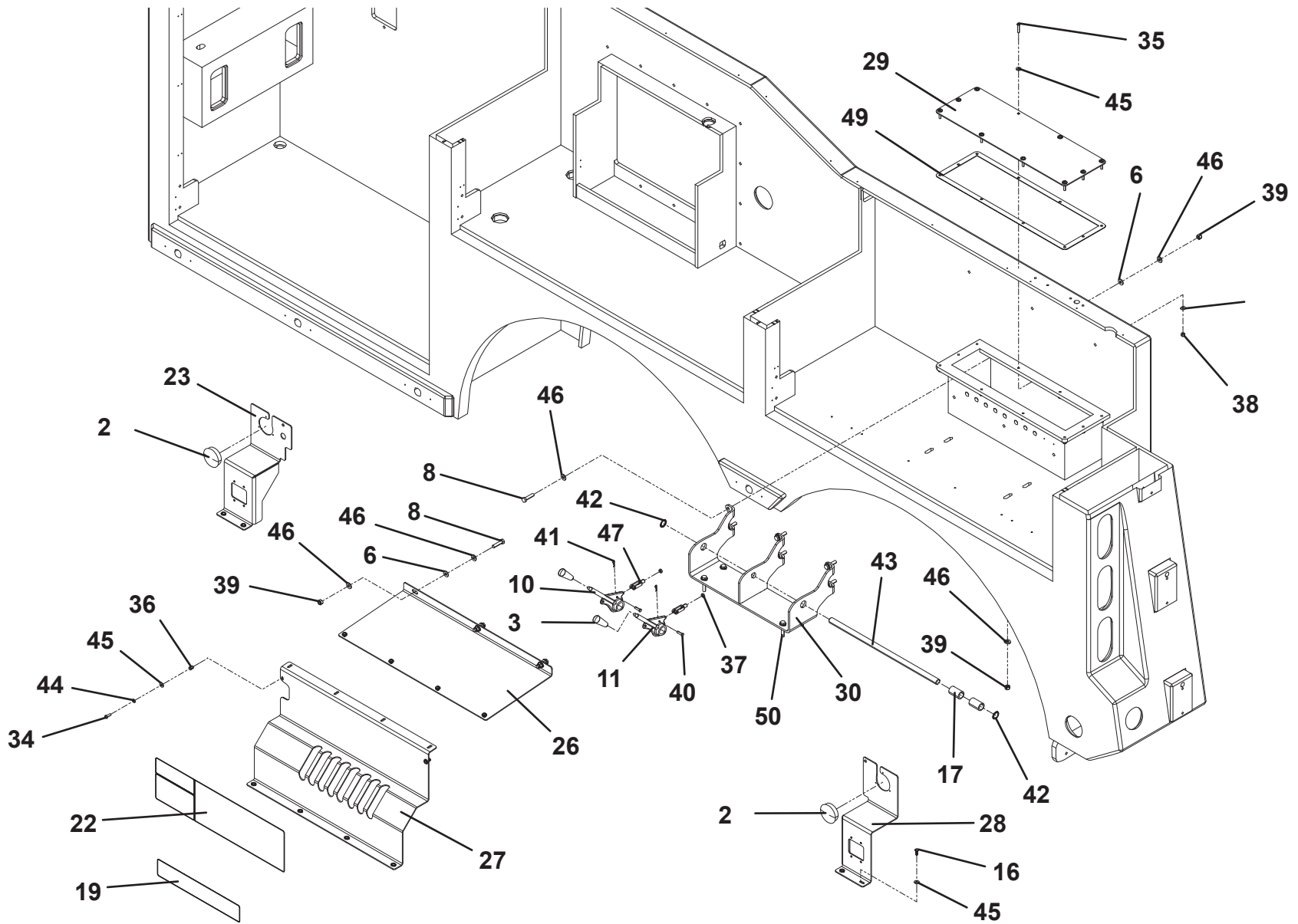
CONTROL INSTALLATION - 8 SECTION - 6 SOLENOID (PRIOR TO S/N 0230004251)

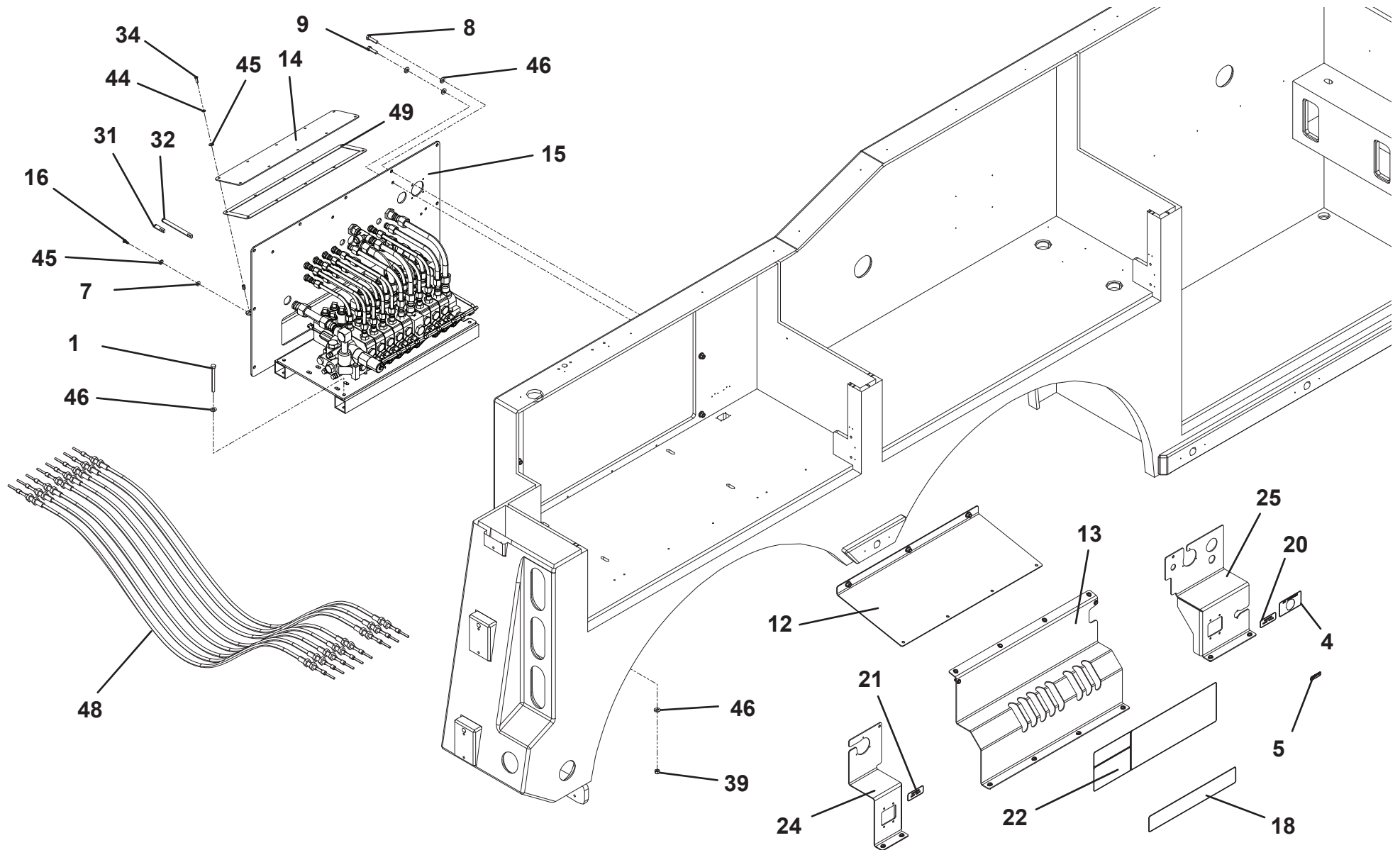
THIS PAGE INTENTIONALLY LEFT BLANK

CONTROL INSTALLATION - 8 SECTION - 6 SOLENOID (S/N 0230004251 TO PRESENT)

ITEM	PART NO.	DESCRIPTION	QTY	REV	ITEM	PART NO.	DESCRIPTION	QTY	REV
	1001219698	Control Installation - 8 Section - 6 Solenoid	Ref	B	37	7660140230	Nut, 0.25"-28	16	
1	641632	Capscrew, 0.38"-16 X 4.00"	4		38	7660142601	Nut, 0.25"	10	
2	3520064	Plug	2		39	7660162601	Locknut, 0.38"-16NC	29	
3	1001130491	Control Knob	16		40	7690141200	Pin	16	
4	1001134433	Decal	1		41	7691000075	Pin	16	
5	1001154277	Decal	1		42	7754000009	Retaining Ring	2	
6	1001166974	Washer, 0.38" ID	21		43	7806000008	Shaft	1	
7	1001166978	Washer, 0.25" ID	3		44	7950140003	Lockwasher, 0.25" ID	22	
8	1001168993	Capscrew, 0.38"-16 X 1.50"	18		45	7950140143	Flatwasher, 0.25" ID	61	
9	1001169080	Capscrew, 0.38"-16 X 1.25"	3		46	7950160143	Flatwasher, 0.38" ID	58	
10	1001184827	Handle, Long	2		47	7990000003	Yoke	8	
11	1001184828	Handle, Short	6		48	7248000053	Cable Push Pull	8	
12	1001189784	Panel, Controls Top RH	1		49	7796000012	Seal	8.7 FT	
13	1001189786	Panel, Controls 8 Sect RH	1		50	1001169083	Capscrew, 0.38"-16 X 2.00"	4	
14	1001189993	Panel, Cable Bracket Cover	1						
15	1001194284	Valve Sub Assembly (See Separate Breakdown in this Section)	1						
16	1001194676	Screw, 0.25" X 0.75"	19						
17	1001194736	Spacer	2						
18	1001196907	Decal	1						
19	1001196908	Decal	1						
20	1001196909	Decal	1						
21	1001196910	Decal	1						
22	1001196911	Decal	2						
23	1001199311	Panel, Controls Front LH	1						
24	1001199322	Panel, Controls Rear RH	1						
25	1001199324	Panel, Controls Front RH	1						
26	1001214902	Panel, Controls Top LH	1						
27	1001214961	Panel, Controls 8 Sect LH	1						
28	1001219691	Panel, Controls Rear LH	1						
29	1001219937	Plate	1						
30	1001220068	Bracket	1						
31	4309000001	Coupling	6						
32	4309000007	Coupling	2						
33	7082000005	Bearing	2						
34	7114140618	Screw, 0.25"-20 X 0.75"	22						
35	7114141018	Screw, 0.25"-20NC x 1.25"	10						
36	7413000002	Nutsert, 0.25"-20	22						

CONTROL INSTALLATION - 8 SECTION - 6 SOLENOID (S/N 0230004251 TO PRESENT)



CONTROL INSTALLATION - 8 SECTION - 6 SOLENOID (S/N 0230004251 TO PRESENT)

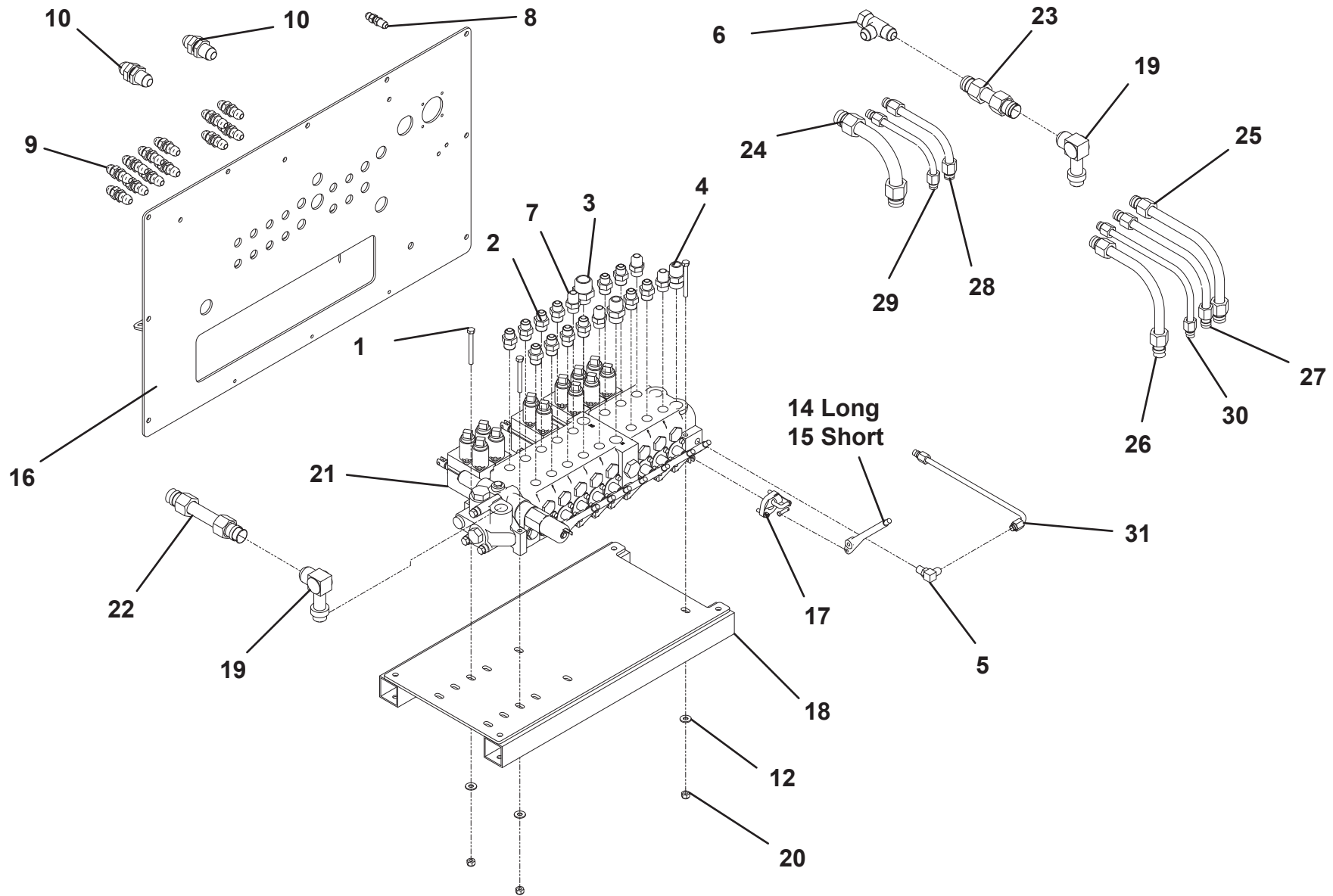
THIS PAGE INTENTIONALLY LEFT BLANK

CONTROL VALVE ASSEMBLY - 1001194284

ITEM	PART NO.	DESCRIPTION	QTY	REV
	1001194284	Control Valve Assembly	Ref	B
1	0641524	Capscrew, 5/16" - 18 x 3"	3	
2	2220374	Adapter	12	
3	2220376	Adapter	1	
4	2220451	Adapter	2	
5	2220473	Adapter	1	
6	2220700	Adapter	1	
7	2220947	Adapter	4	
8	2230024	Adapter	1	
9	2230025	Adapter	12	
10	2230027	Fitting	2	
11	2230089	Fitting	3	
12	4751500	Washer, 5/16" ID	3	
13	8760037	Union	4	
14	1001184772	Handle, Long	2	
15	1001184773	Handle, Short	6	
16	1001189989	Panel	1	
17	1001194069	Linkage	8	
18	3177000060	Mount	1	
19	7443000211	Fitting	2	
20	7660162601	Locknut, 0.38" - 16NC	3	
21	7935000330	Valve, 8 Sec. 6 Sol (See Separate Breakdown in this Section)	1	
22	7912000301*	Tube Assembly	1	
23	7912000302*	Tube Assembly	1	
24	7912000303*	Tube Assembly	1	
25	7912000304*	Tube Assembly	1	
26	7912000305*	Tube Assembly	1	
27	7912000306*	Tube Assembly	2	
28	7912000307*	Tube Assembly	2	
29	7912000308*	Tube Assembly	6	
30	7912000309*	Tube Assembly	6	
31	7912000310*	Tube Assembly	1	

* Also Available In Tube Kit - 7577000668

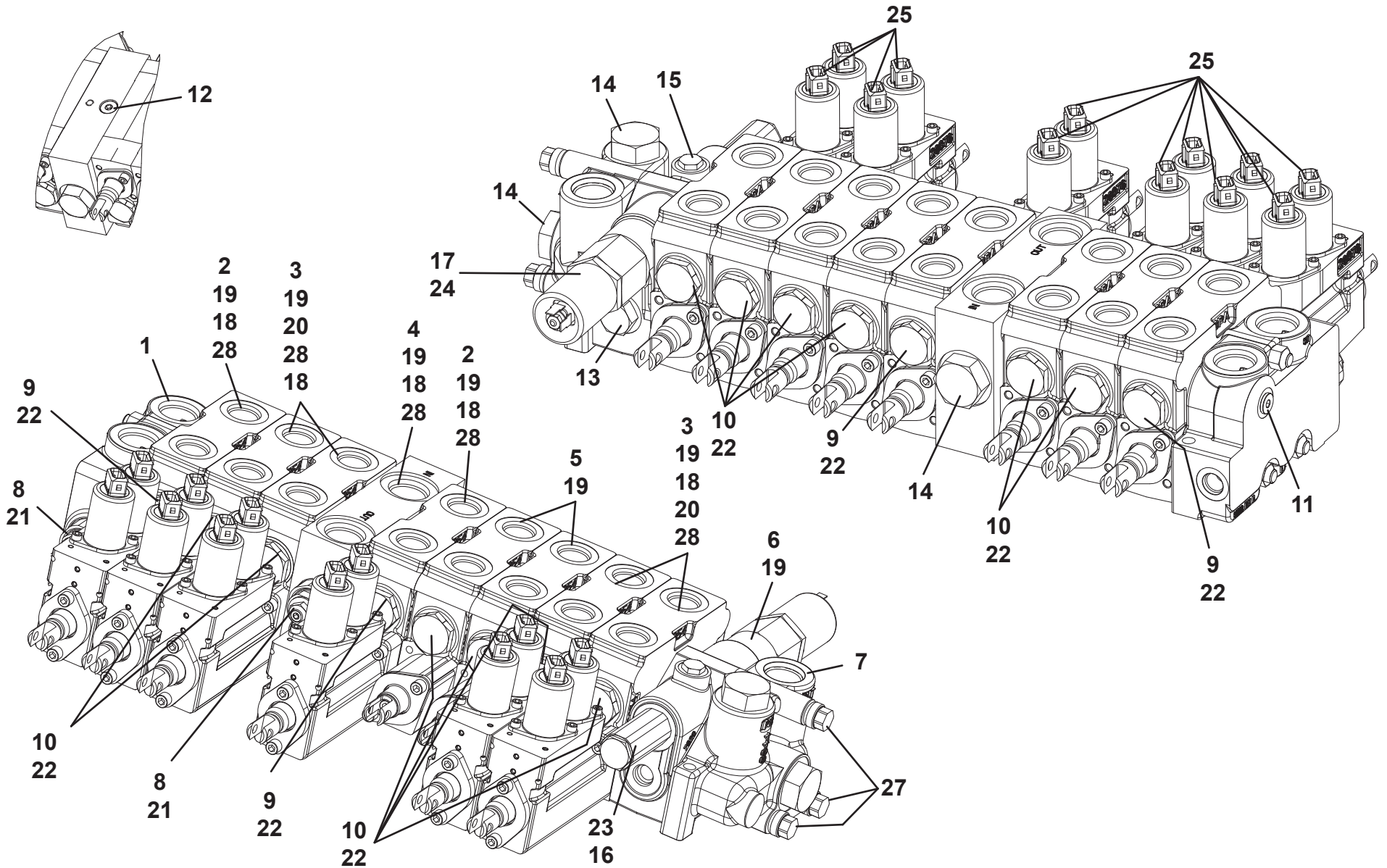
CONTROL VALVE ASSEMBLY - 1001194284



VALVE ASSEMBLY - 7935000330

ITEM	PART NO.	DESCRIPTION	QTY	REV
	7935000330	Valve Assembly	Ref	1
1	7935000315	Inlet Cover	1	
2	9935930120	Valve Section	2	
3	9935930119	Valve Section	4	
4	7935000316	Inlet	1	
5	7935000320	Valve Section	2	
6	7935000323	Utility Section	1	
7	7935000317	Outlet Cover	1	
8	91084009	Relief	2	
9	70050243	Plug	4	
10	7006847	Plug	12	
11	70050245	Plug	1	
12	70050246	Plug	2	
13	70050247	Plug	1	
14	91084017	Plug	3	
15	70050249	Plug	1	
16	70050241	Pressure Cartridge	1	
17	70050242	Solenoid	1	
18	70050250	Seal	13	
19	70050251	O-Ring	40	
20	70050252	O-Ring	6	
21	70051081	Seal Kit	2	
22	7029865	Seal Kit	16	
23	70051080	Seal Kit	1	
24	70050256	Seal Kit	1	
25	9346930086	Solenoid	6	
26	70051079	Seal	1	
27	70050239	Stud Assembly	1	
28	70050257	Wiper	16	

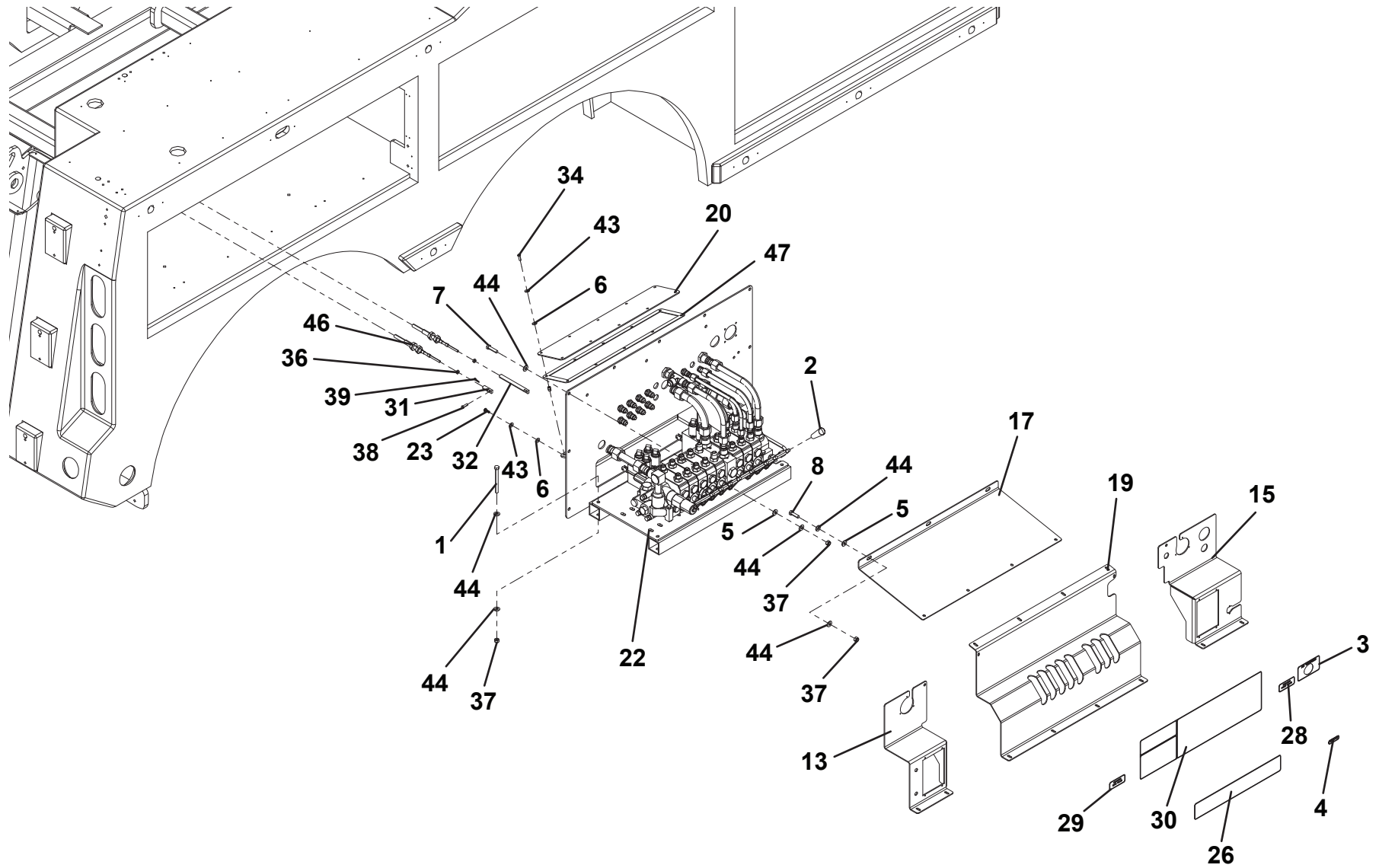
VALVE ASSEMBLY - 7935000330



CONTROL INSTALLATION - 8 SECTION - 3 SOLENOID (PRIOR TO S/N 0230004251)

ITEM	PART NO.	DESCRIPTION	QTY	REV	ITEM	PART NO.	DESCRIPTION	QTY	REV
	1001207713	Control Installation - 8 Section - 3 Solenoid	Ref	B	37	7660162601	Locknut, 0.38"-16NC	33	
1	641632	Capscrew, 0.38"-16 X 4.00"	4		38	7690141200	Pin	16	
2	1001130491	Control Knob Ball	16		39	7691000075	Pin	16	
3	1001134433	Decal	1		40	7754000009	Retaining Ring	2	
4	1001154277	Decal	1		41	7806000008	Shaft	1	
5	1001166974	Washer	25		42	7950140003	Lockwasher, 0.25" ID	11	
6	1001166978	Washer	13		43	7950140143	Flatwasher, 0.25" ID	40	
7	1001168993	Capscrew, 0.38"-16 X 1.50"	22		44	7950160143	Flatwasher, 0.38" ID	66	
8	1001169080	Capscrew, 0.38"-16 X 1.25"	3		45	7990000003	Yoke	8	
9	1001169083	Capscrew, 0.38"-16 X 2.00"	4		46	7248000053	Cable, Push-Pull	8	
10	1001184827	Handle - Long	2		47	7796000012	Seal	3.5FT	
11	1001184828	Handle - Short	6		48	3520064	Plug	2	
12	1001189779	Panel, Controls Rear - LH	1		49	1001201079	Plug	2	
13	1001189780	Panel, Controls Rear - RH	1						
14	1001189781	Panel, Controls Front - LH	1						
15	1001189782	Panel, Controls Rear - RH	1						
16	1001189783	Panel, Controls Top - LH	1						
17	1001189784	Panel, Controls Top - RH	1						
18	1001189785	Panel, Controls 8 Sect - LH	1						
19	1001189786	Panel, Controls 8 Sect - RH	1						
20	1001189993	Panel	1						
21	1001189994	Bulkhead	1						
22	1001193527	Valve Sub Assembly (See Separate Breakdown in this Section)	1						
23	1001194676	Screw, 0.25" X 0.75"	19						
24	1001194682	Bracket	1						
25	1001194736	Tube	2						
26	1001196907	Decal	1						
27	1001196908	Decal	1						
28	1001196909	Decal	1						
29	1001196910	Decal	1						
30	1001196911	Decal	2						
31	4309000001	Coupling	6						
32	4309000007	Coupling	2						
33	7082000005	Bearing	2						
34	7114140618	Screw, 0.25"-20 X 0.75"	21						
35	7413000002	Nutsert, 0.25"-20	21						
36	7660140230	Nut, 0.25"-28	16						

CONTROL INSTALLATION - 8 SECTION - 3 SOLENOID (PRIOR TO S/N 0230004251)

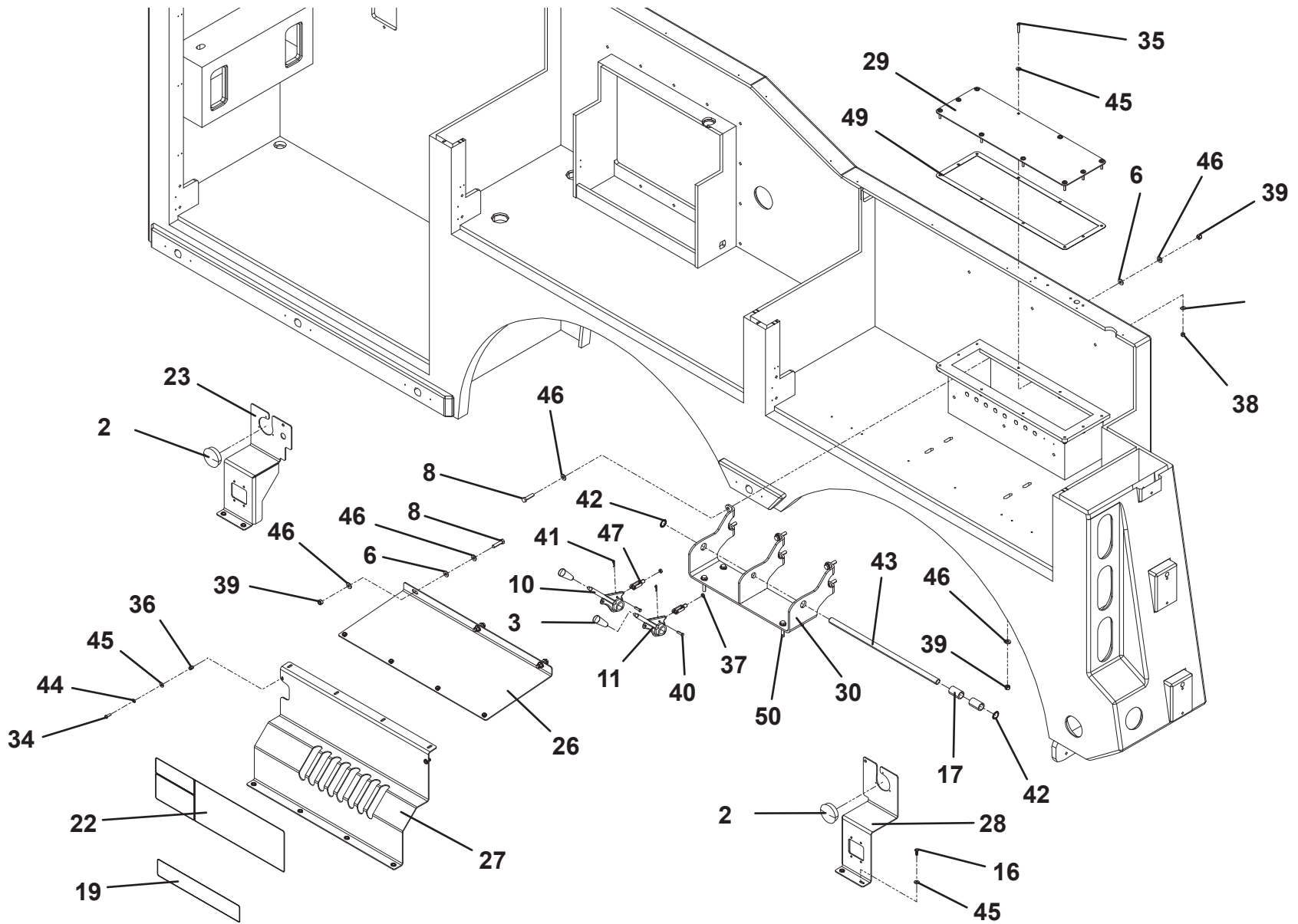


THIS PAGE INTENTIONALLY LEFT BLANK

CONTROL INSTALLATION - 8 SECTION - 3 SOLENOID (S/N 0230004251 TO PRESENT)

ITEM	PART NO.	DESCRIPTION	QTY	REV	ITEM	PART NO.	DESCRIPTION	QTY	REV
	1001219697	Control Installation - 8 Section - 3 Solenoid	Ref	B	37	7660140230	Nut, 0.25"-28	16	
1	641632	Capscrew, 0.38"-16 X 4.00"	4		38	7660142601	Locknut, 0.25" -20NC	10	
2	3520064	Plug	2		39	7660162601	Locknut, 0.38"-16NC	29	
3	1001130491	Control Knob Ball	16		40	7690141200	Pin	16	
4	1001134433	Decal	1		41	7691000075	Pin	16	
5	1001154277	Decal	1		42	7754000009	Retaining Ring	2	
6	1001166974	Washer	21		43	7806000008	Shaft	1	
7	1001166978	Washer	3		44	7950140003	Lockwasher, 0.25" ID	22	
8	1001168993	Capscrew, 0.38"-16 X 1.50"	18		45	7950140143	Flatwasher, 0.25" ID	61	
9	1001169080	Capscrew, 0.38"-16 X 1.25"	3		46	7950160143	Flatwasher, 0.38" ID	58	
10	1001184827	Handle - Long	2		47	7990000003	Yoke	8	
11	1001184828	Handle - Short	6		48	7248000053	Cable, Push-Pull	8	
12	1001189784	Panel, Controls Top - RH	1		49	7796000012	Seal	8.7 FT	
13	1001189786	Panel, Controls 8 Sect - RH	1		50	1001169083	Capscrew, 0.38"-16 X 2.00"	4	
14	1001189993	Panel, Cover	1						
15	1001193527	Valve Sub Assembly (See Separate Breakdown in this Section)	1						
16	1001194676	Screw, 0.25" X 0.75"	19						
17	1001194736	Tube	2						
18	1001196907	Decal	1						
19	1001196908	Decal	1						
20	1001196909	Decal	1						
21	1001196910	Decal	1						
22	1001196911	Decal	2						
23	1001199311	Panel, Controls Front - LH	1						
24	1001199322	Panel, Controls Rear - RH	1						
25	1001199324	Panel, Controls Front	1						
26	1001214902	PANEL, CONTROLS TOP LH	1						
27	1001214961	Panel, Controls 8 Sect - LH	1						
28	1001219691	Panel, Controls Rear - LH	1						
29	1001219937	Panel, Cover	1						
30	1001220068	Bracket	1						
31	4309000001	Coupling	3						
32	4309000007	Coupling	5						
33	7082000005	Bearing	2						
34	7114140618	Screw, 0.25"-20 X 0.75"	22						
35	7114141018	Screw, 0.25"-20NC x 1.25"	10						
36	7413000002	Nutsert, 0.25"-20	22						

CONTROL INSTALLATION - 8 SECTION - 3 SOLENOID (S/N 0230004251 TO PRESENT)



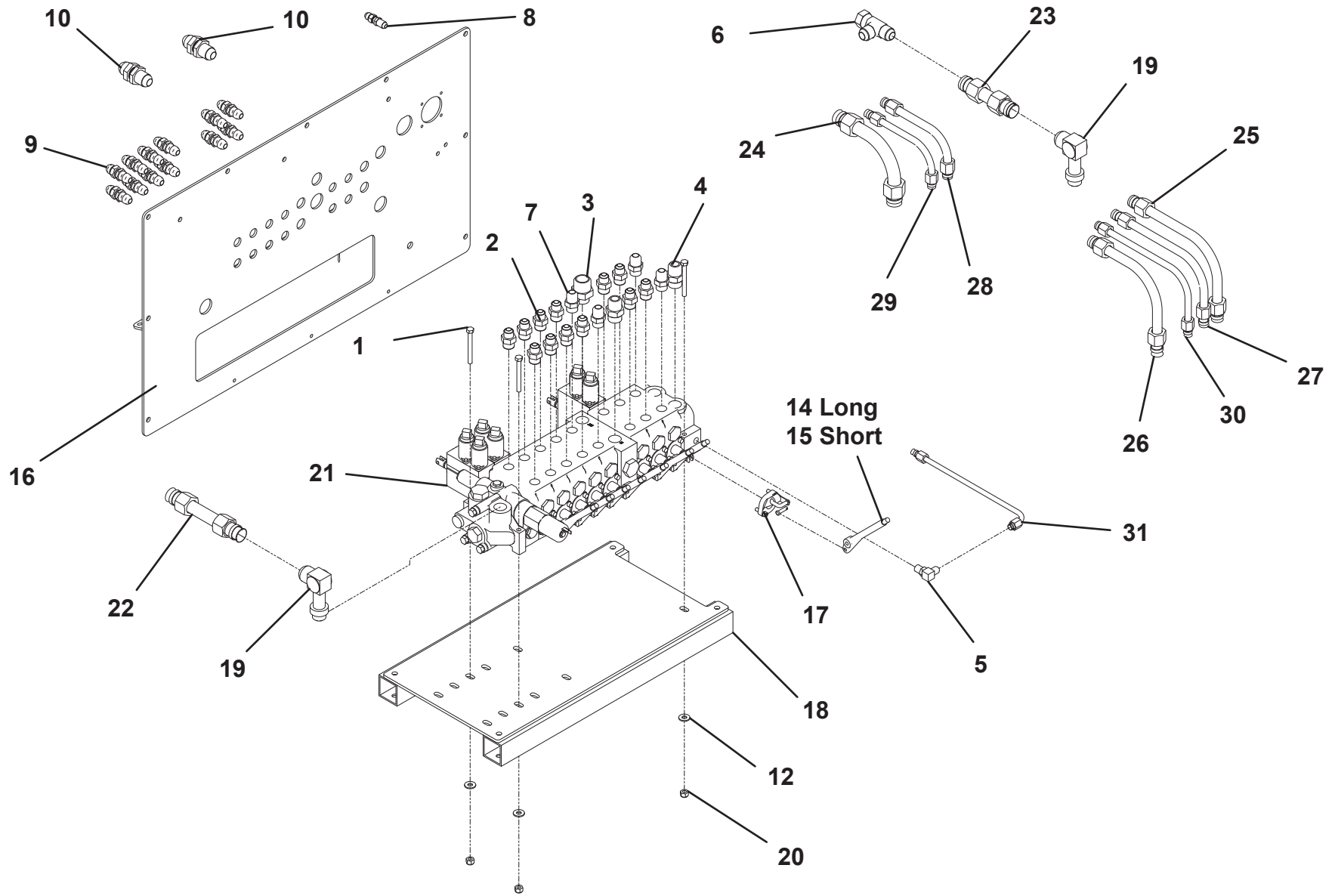
THIS PAGE INTENTIONALLY LEFT BLANK

CONTROL VALVE ASSEMBLY - 1001193527

ITEM	PART NO.	DESCRIPTION	QTY	REV
	1001193527	Control Valve Assembly	Ref	B
1	0641524	Capscrew, 5/16" - 18 x 3"	3	
2	2220374	Adapter	12	
3	2220376	Adapter	1	
4	2220451	Adapter	2	
5	2220473	Adapter	1	
6	2220700	Adapter	1	
7	2220947	Adapter	4	
8	2230024	Adapter	1	
9	2230025	Adapter	12	
10	2230027	Fitting	2	
11	2230089	Fitting	3	
12	4751500	Washer, 5/16" ID	3	
13	8760037	Union	4	
14	1001184772	Handle, Long	2	
15	1001184773	Handle, Short	6	
16	1001189989	Panel	1	
17	1001194069	Linkage	8	
18	3177000060	Mount	1	
19	7443000211	Fitting	2	
20	7660162601	Locknut, 0.38" - 16NC	3	
21	7935000293	Valve, 8 Sec. 3 Sol (See Separate Breakdown in this Section)	1	
22	7912000301*	Tube Assembly	1	
23	7912000302*	Tube Assembly	1	
24	7912000303*	Tube Assembly	1	
25	7912000304*	Tube Assembly	1	
26	7912000305*	Tube Assembly	1	
27	7912000306*	Tube Assembly	2	
28	7912000307*	Tube Assembly	2	
29	7912000308*	Tube Assembly	6	
30	7912000309*	Tube Assembly	6	
31	7912000310*	Tube Assembly	1	

* Also Available In Tube Kit - 7577000668

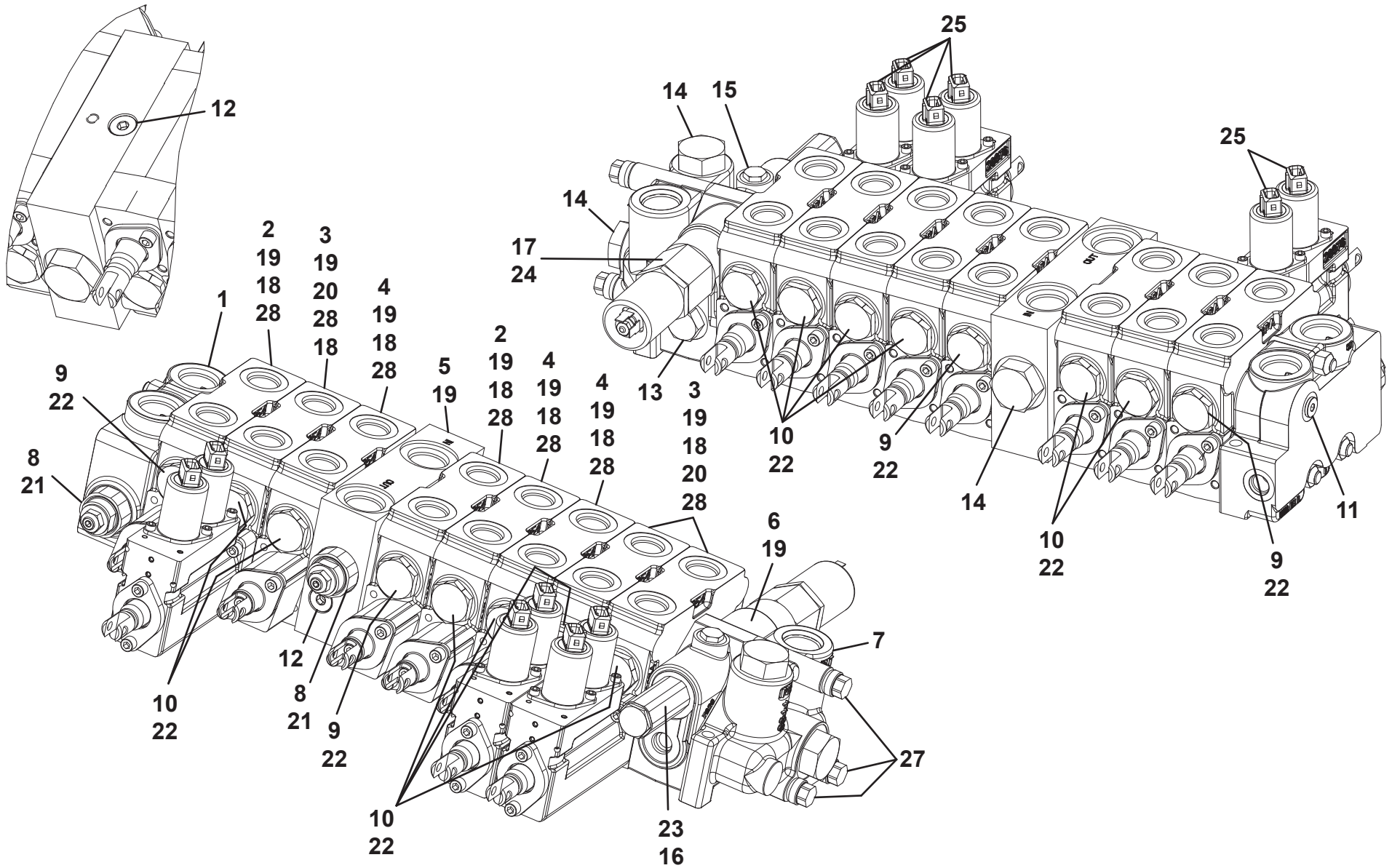
CONTROL VALVE ASSEMBLY - 1001193527



VALVE ASSEMBLY - 7935000293

ITEM	PART NO.	DESCRIPTION	QTY	REV
	7935000293	Valve Assembly	Ref	1
1	7935000315	Inlet Cover	1	
2	9935930122	Valve Section	2	
3	9935930119	Valve Section	3	
4	7935000320	Valve Section	3	
5	7935000316	Inlet	1	
6	7935000323	Utility Section	1	
7	7935000317	Outlet Cover	1	
8	91084009	Relief	2	
9	70050243	Plug	4	
10	7006847	Plug	12	
11	70050245	Plug	1	
12	70050246	Plug	2	
13	70050247	Plug	1	
14	91084017	Plug	3	
15	70050249	Plug	1	
16	70050241	Pressure Cartridge	1	
17	70050242	Solenoid	1	
18	70050250	Seal	13	
19	70050251	O-Ring	40	
20	70050252	O-Ring	6	
21	70051081	Seal Kit	2	
22	7029865	Seal Kit	16	
23	70051080	Seal Kit	1	
24	70050256	Seal Kit	1	
25	9346930086	Solenoid	6	
26	70051079	Seal	1	
27	70050239	Stud Assembly	1	
28	70050257	Wiper	16	

VALVE ASSEMBLY - 7935000293



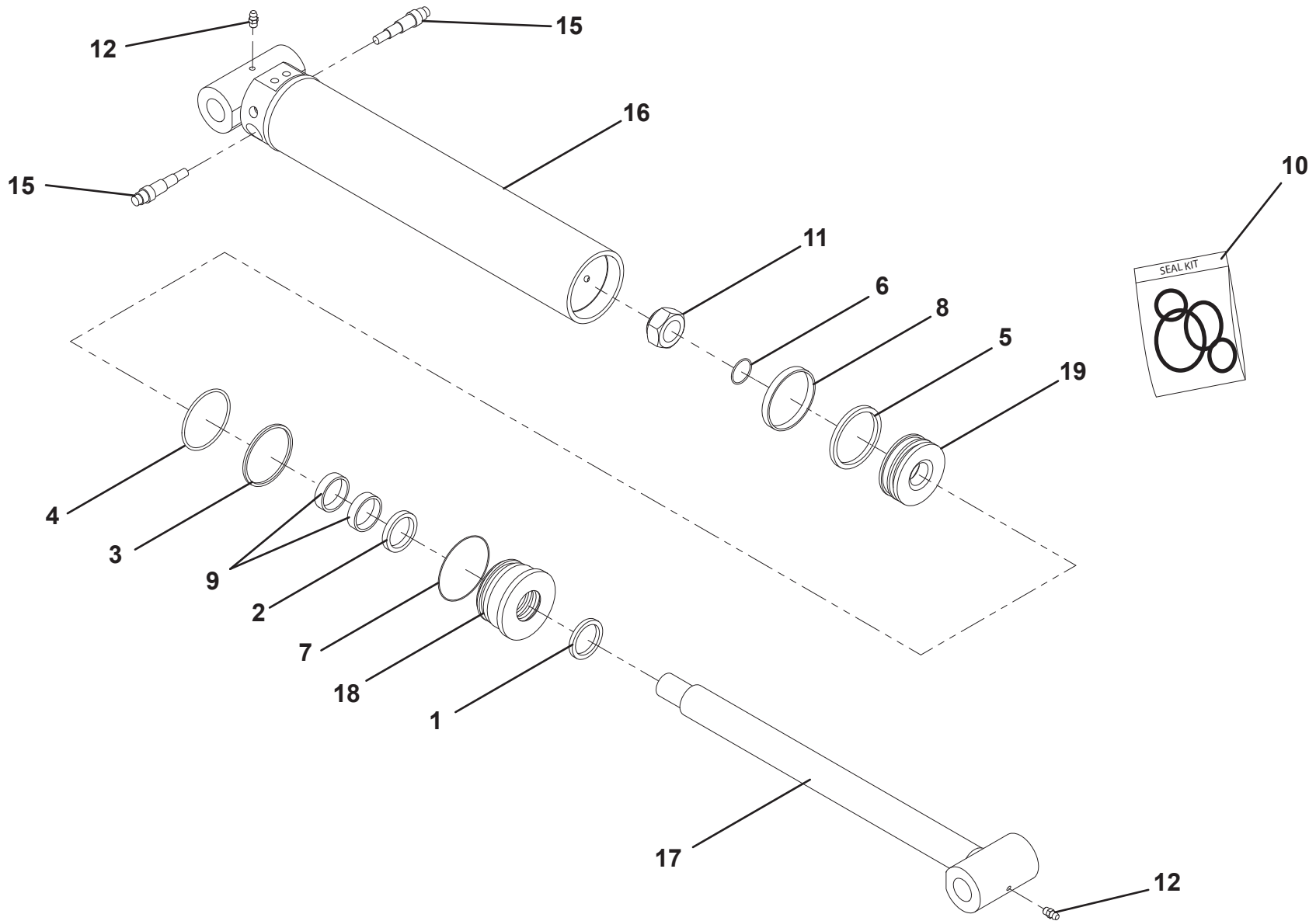
THIS PAGE INTENTIONALLY LEFT BLANK

SECTION 5 - CYLINDER

SPADE CYLINDER ASSEMBLY - 7320000006

ITEM	PART NO.	DESCRIPTION	QTY	REV
	7320000006	Spade Cylinder Assembly	Ref	B
1	9796250080	Seal, Wiper	1	
2	7019828	Seal	1	
3	9754250009	Ring, Back-up	1	
4	9796250057	Seal, "O" Ring	1	
5	9796250073	Seal	1	
6	9796250061	Seal, "O" Ring	1	
7	9796250066	Seal, "O" Ring	1	
8	9724250014	Ring, Wear	1	
9	9754250015	Ring, Wear	2	
10	7577000167	Kit, Seal	1	
11	7003212	Locknut	1	
12	7005322	Grease Fitting	2	
13	7005365	Plug, Port (Not Shown)	2	
14	70021648	Plug, Port (Not Shown)	2	
15	70050215	Valve, Counterbalance	2	
16	9912250004	Assembly, Tube	1	
17	9763250009	Assembly, Rod	1	
18	9553250009	Head	1	
19	70050531	Piston	1	

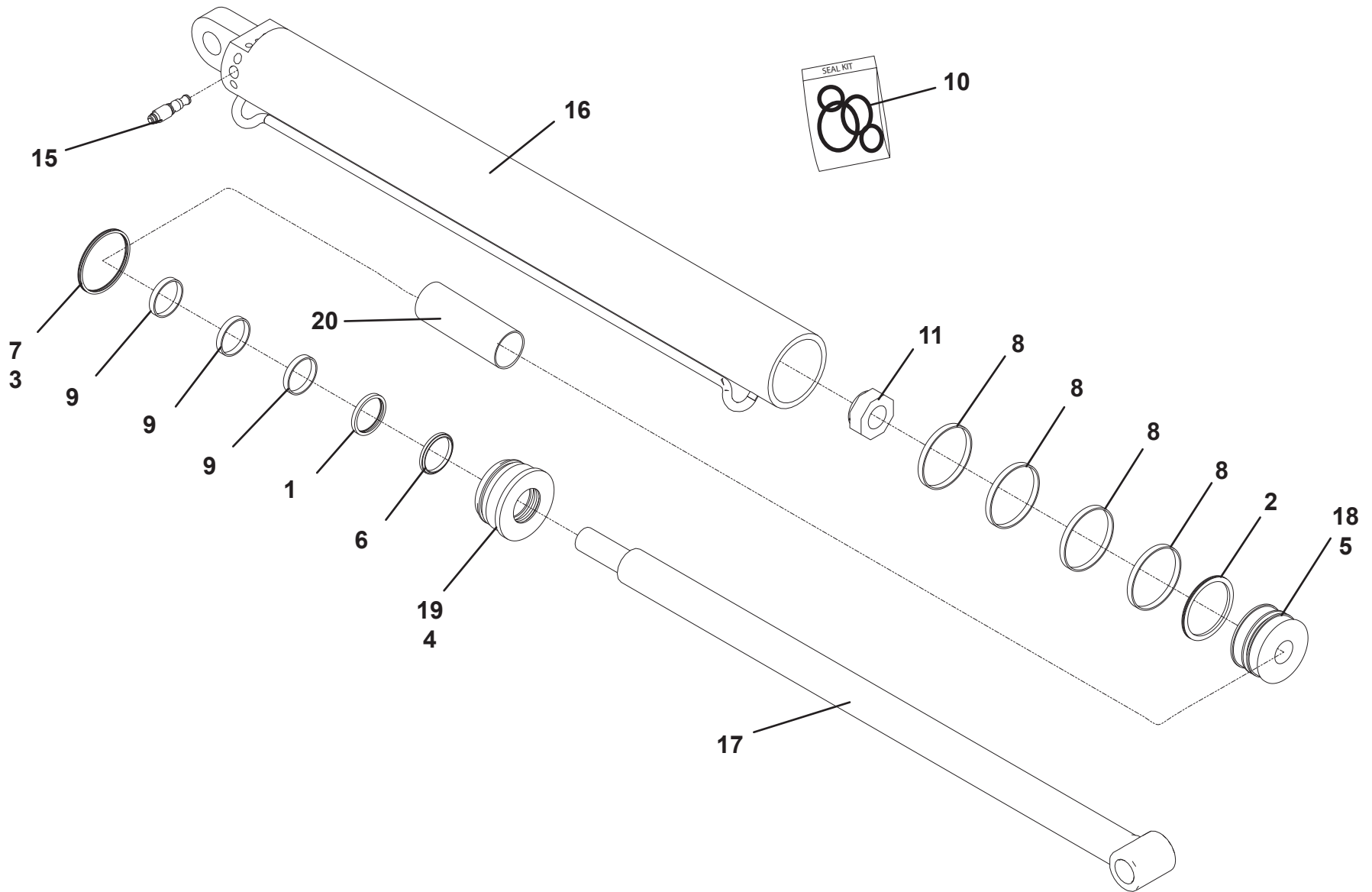
SPADE CYLINDER ASSEMBLY - 7320000006



BOOM LIFT CYLINDER - 7320000032

ITEM	PART NO.	DESCRIPTION	QTY	REV
	7320000032	Boom Lift Cylinder	Ref	B
1	NSS	Seal	1	
2	NSS	Seal	1	
3	NSS	Back-up Ring	1	
4	NSS	O-Ring	1	
5	NSS	O-Ring	1	
6	NSS	Wiper	1	
7	NSS	O-Ring	1	
8	NSS	Wear Ring	4	
9	NSS	Wear Ring	3	
10	7577250191	Seal Kit	1	
11	7005314	Locknut	1	
12	7005365	Plug	4	
13	70021648	Plug	2	
14	7440030400	Grease Fitting	2	
15	9935250032	Counter Balance Valve	2	
16	9912250013	Tube Assembly	1	
17	9763250015	Rod Assembly	1	
18	9698250003	Piston	1	
19	9553250006	Head	1	
20	9831250017	Spacer	1	

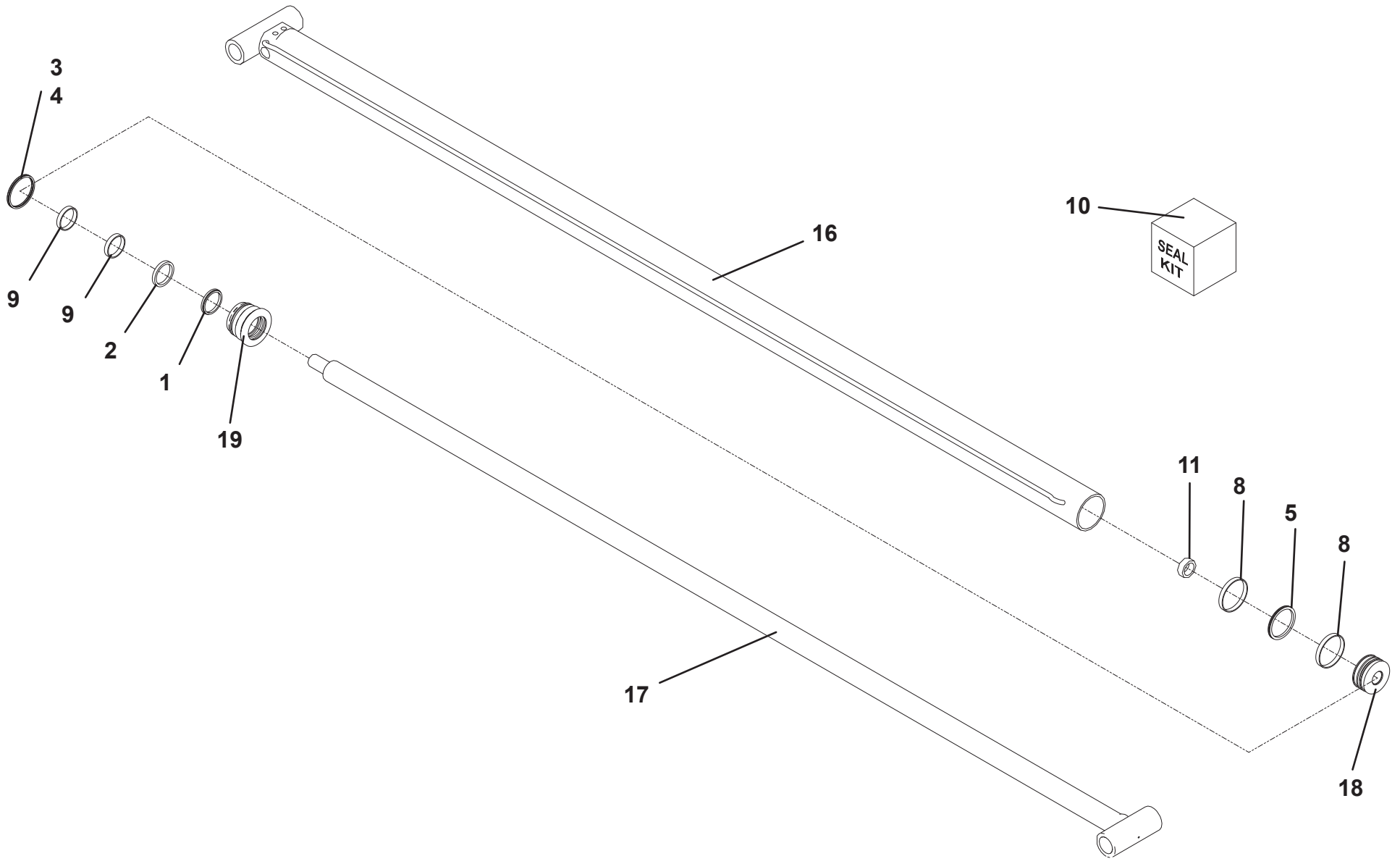
BOOM LIFT CYLINDER - 7320000032



WRECKER BOOM CYLINDER - 7320000031

ITEM	PART NO.	DESCRIPTION	QTY	REV
	7320000031	Wrecker Boom Cylinder	Ref	B
1	NSS	Wiper	1	
2	NSS	Seal	1	
3	NSS	Back-Up	1	
4	NSS	O-Ring	1	
5	NSS	Seal	1	
6	NSS	O-Ring	1	
7	NSS	O-Ring (Not Shown)	1	
8	NSS	Wear Ring (Not Shown)	2	
9	NSS	Wear Ring	2	
10	7577000167	Seal Kit	1	
11	7003116	Locknut	1	
12	7005365	Port Plug (Not Shown)	1	
13	70021648	Port Plug (Not Shown)	2	
14	7440030400	Grease Fitting (Not Shown)	2	
15	9935250032	Counterbalance Valve (Not Shown)	1	
16	9912250014	Tube	1	
17	9763250019	Rod	1	
18	9553250010	Head	1	
19	7698250012	Piston	1	

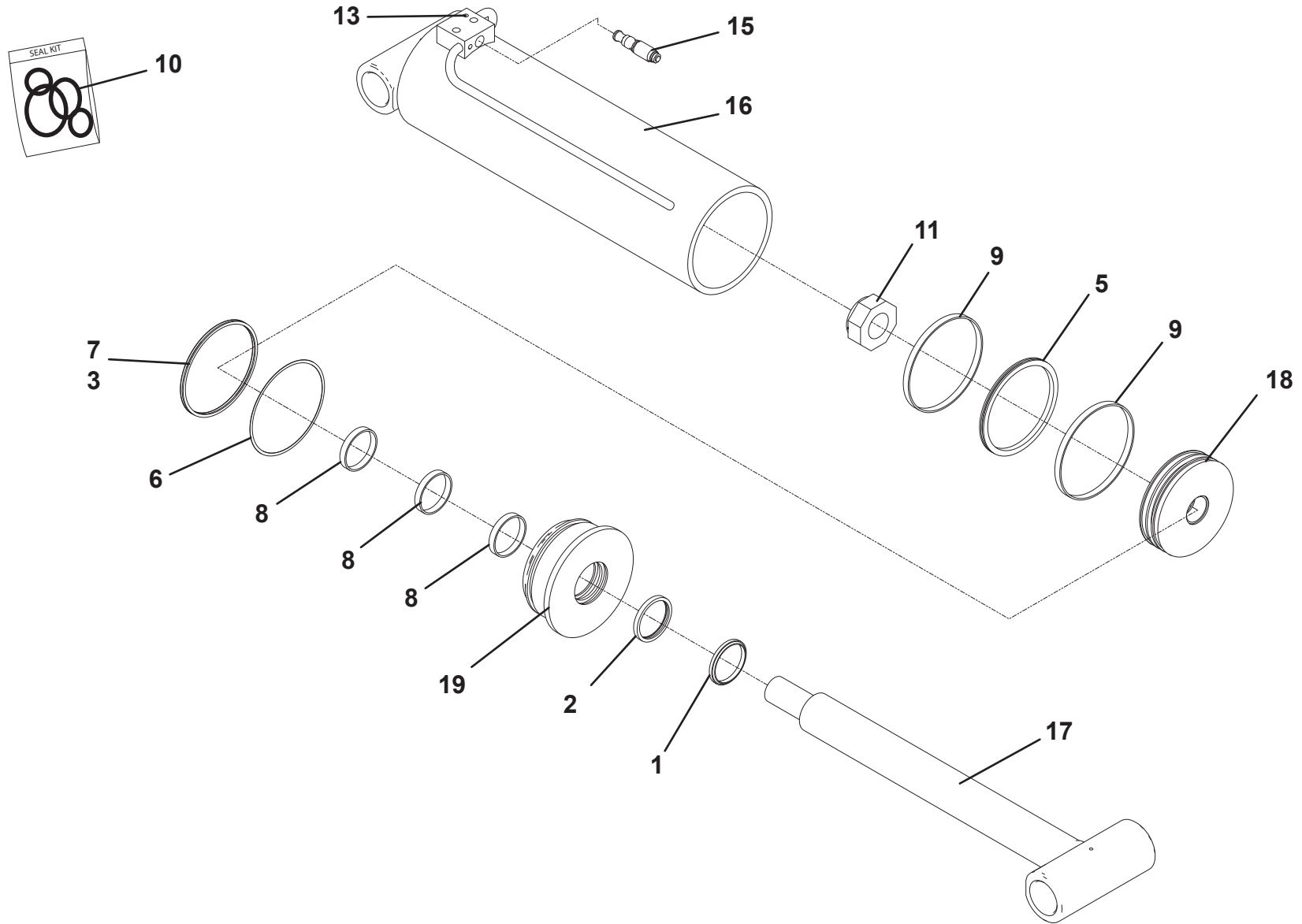
WRECKER BOOM CYLINDER - 732000031



UNDERLIFT TILT CYLINDER - 7320000098

ITEM	PART NO.	DESCRIPTION	QTY	REV
	7320000098	Underlift Tilt Cylinder	Ref	B
1	NSS	Seal, Wiper (Sold Only In Kit #7577250204)	1	
2	NSS	Seal (Sold Only In Kit #7577250204)	1	
3	NSS	Ring, Backup (Sold Only In Kit #7577250204)	1	
4	NSS	Seal, "O" Ring (Sold Only In Kit #7577250204)	1	
5	NSS	Seal, (Sold Only In Kit #7577250204)	1	
6	NSS	Seal, "O" Ring (Sold Only In Kit #7577250204)	1	
7	NSS	Seal, "O" Ring (Sold Only In Kit #7577250204)	1	
8	NSS	Ring, Wear (Sold Only In Kit #7577250204)	3	
9	NSS	Ring, Wear (Sold Only In Kit #7577250204)	3	
10	7577250204	Kit, Seal	1	
11	7005314	Locknut, (torque to 1600-2000 lb-ft)	1	
12	7005348	Lube Fitting	2	
13	7005365	Port Plug	3	
14	70021648	Port Plug	2	
15	70050231	Valve, Counter Balance	1	
16	70051012	Assy, Tube (4W420)	1	
17	70051013	Rod Assy (5R161)	1	
18	9698250014	Piston	1	
19	7019892	Head	1	

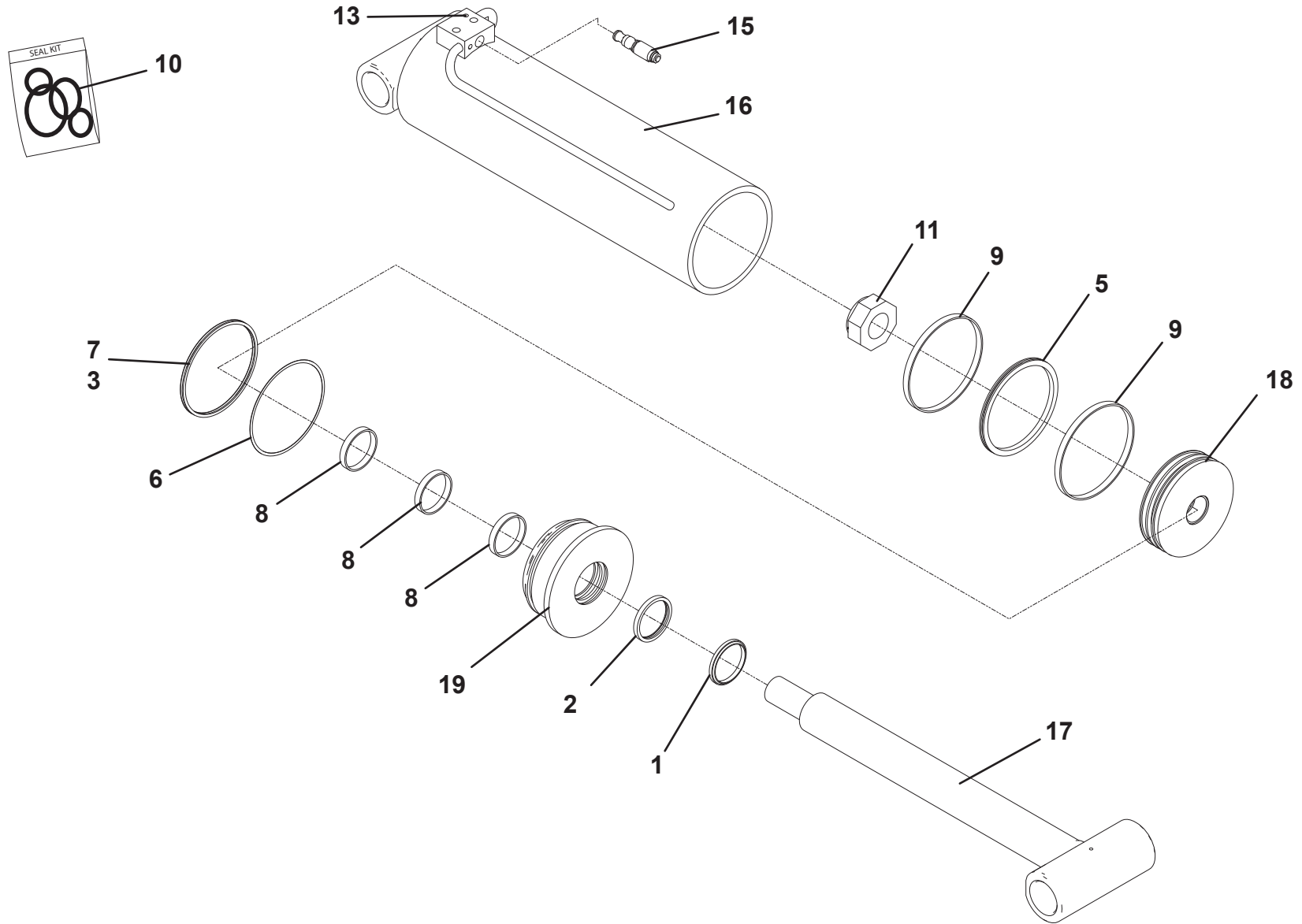
UNDERLIFT TILT CYLINDER - 7320000098



UNDERLIFT TILT CYLINDER - 732000033

ITEM	PART NO.	DESCRIPTION	QTY	REV
	732000033	Underlift Tilt Cylinder	Ref	B
1	NSS	Seal, Wiper (Sold Only In Kit #7577250204)	1	
2	NSS	Seal (Sold Only In Kit #7577250204)	1	
3	NSS	Ring, Backup (Sold Only In Kit #7577250204)	1	
4	NSS	Seal, "O" Ring (Sold Only In Kit #7577250204)	1	
5	NSS	Seal, (Sold Only In Kit #7577250204)	1	
6	NSS	Seal, "O" Ring (Sold Only In Kit #7577250204)	1	
7	NSS	Seal, "O" Ring (Sold Only In Kit #7577250204)	1	
8	NSS	Ring, Wear (Sold Only In Kit #7577250204)	3	
9	NSS	Ring, Wear (Sold Only In Kit #7577250204)	3	
10	7577250204	Kit, Seal	1	
11	7005314	Locknut, (torque to 1600-2000 lb-ft)	1	
12	7005348	Lube Fitting	2	
13	7005365	Port Plug	3	
14	70021648	Port Plug	2	
15	70050231	Valve, Counter Balance	1	
16	70051012	Assy, Tube (4W420)	1	
17	70051013	Rod Assy (5R161)	1	
18	9698250014	Piston	1	
19	7019892	Head	1	

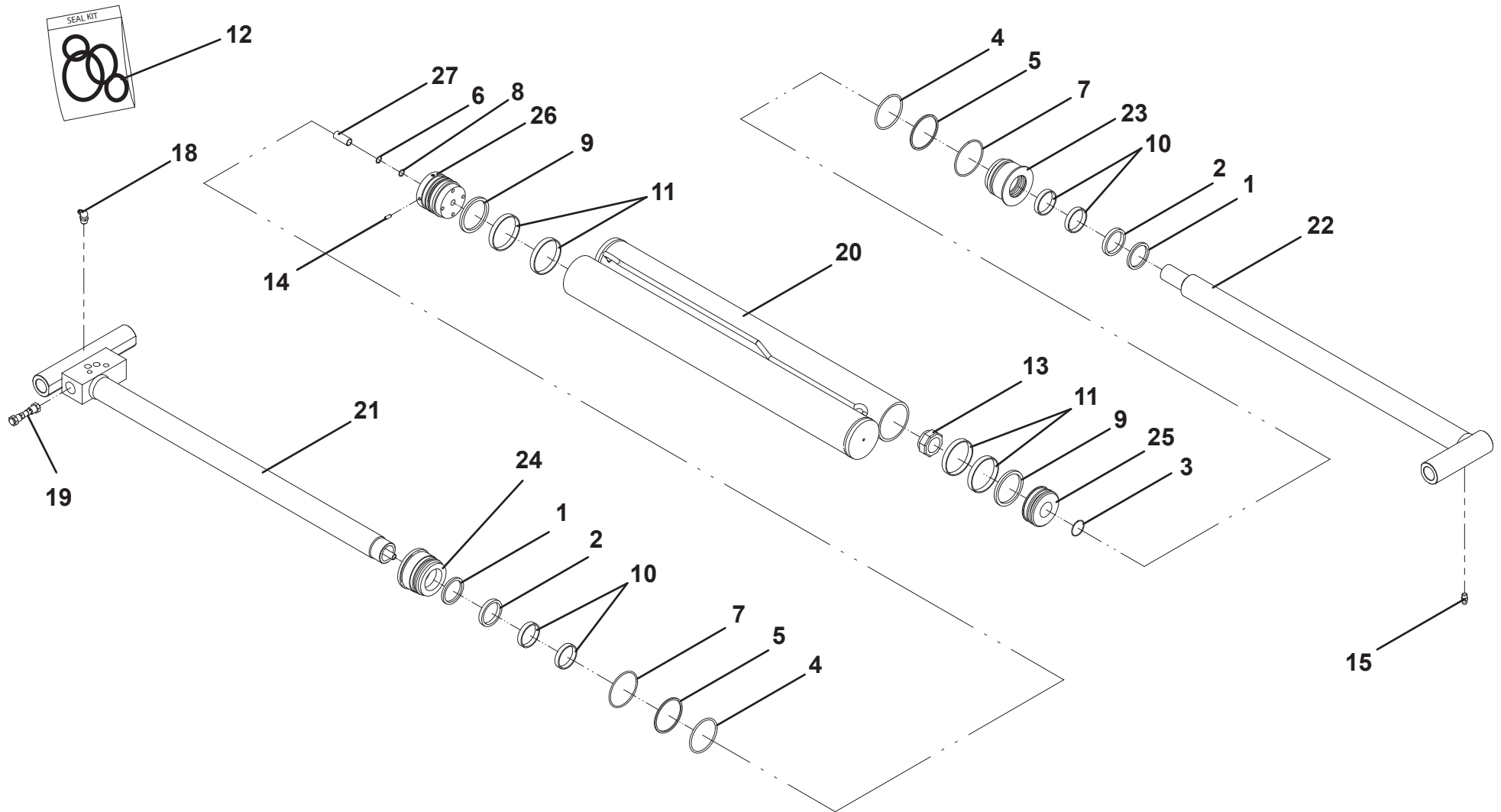
UNDERLIFT TILT CYLINDER - 7320000033



UNDERLIFT EXTENSION CYLINDER ASSEMBLY - 7320000042

ITEM	PART NO.	DESCRIPTION	QTY	REV
	7320000042	Underlift Extension Cylinder Assembly	Ref	B
1	9796250080	Seal, Wiper	2	
2	7019828	Seal	2	
3	9796250133	Seal, "O" Ring	1	
4	7019846	Seal, "O" Ring	2	
5	7019845	Ring, Back-up	2	
6	9796250135	Seal, "O" Ring	2	
7	7019844	Seal, "O" Ring	2	
8	9796250137	Seal, "O" Ring	2	
9	9796250138	Seal	2	
10	9754250015	Ring, Wear	4	
11	9754250049	Ring, Wear	4	
12	7577250271	Kit, Seal	1	
13	7003212	Locknut	1	
14	7003281	Setscrew	4	
15	7005348	Grease Fitting	1	
16	70050365	Plug, Port (Not Shown)	2	
17	70021648	Plug, Port (Not Shown)	2	
18	7440030400	Grease Fitting	1	
19	9935250025	Kit, Check Cartridge	1	
20	9912250021	Assembly, Tube	1	
21	9763250025	Assembly, Rod	1	
22	9763250026	Assembly, Rod-Tube	1	
23	9553250015	Head	1	
24	9553250016	Head	1	
25	9698250018	Piston	1	
26	9698250019	Piston	1	
27	9007250005	Adapter, RT Tube	1	

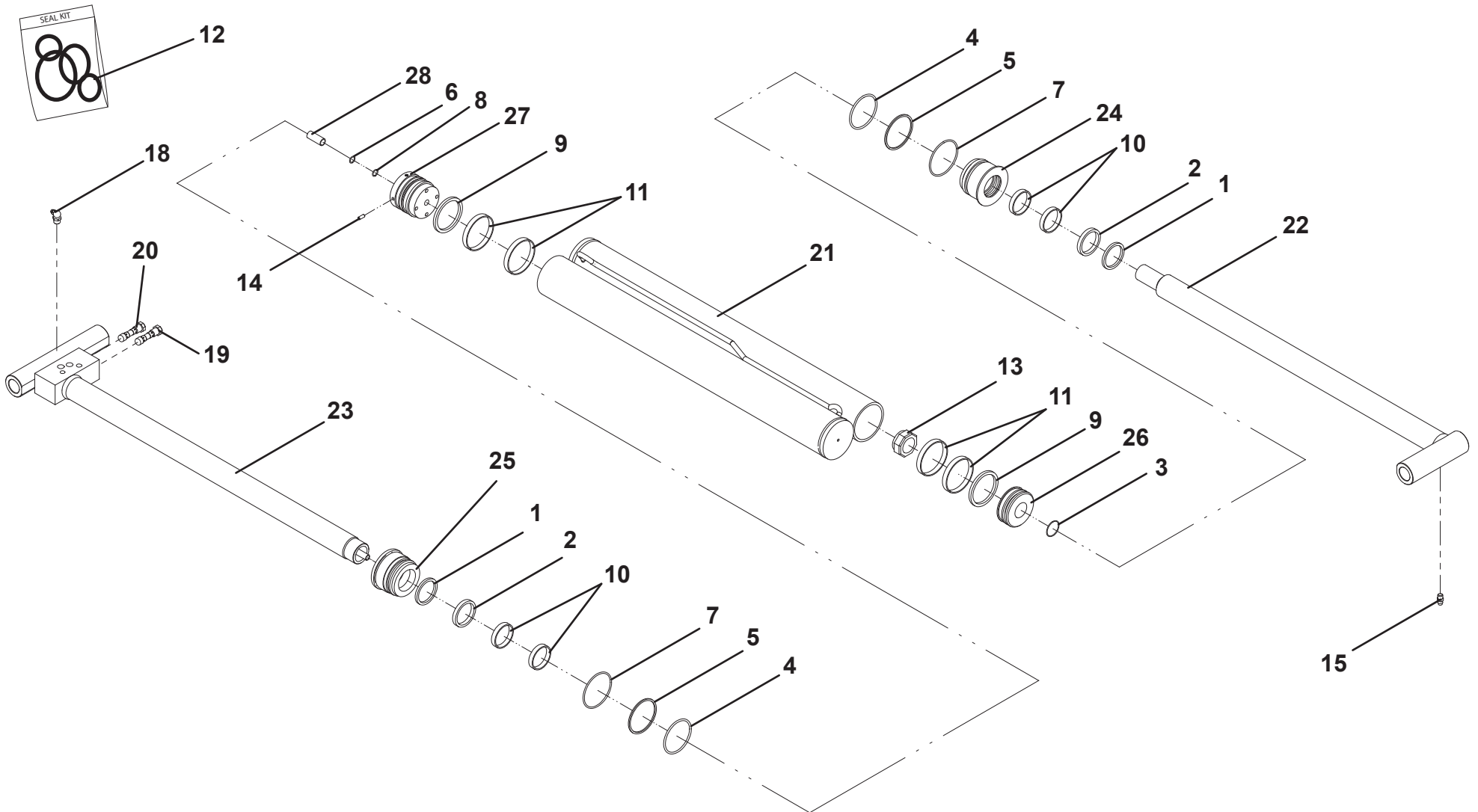
UNDERLIFT EXTENSION CYLINDER ASSEMBLY - 732000042



UNDERLIFT EXTENSION CYLINDER ASSEMBLY - 7320000076

ITEM	PART NO.	DESCRIPTION	QTY	REV
	7320000076	Underlift Extension Cylinder Assembly	Ref	B
1	9796250080	Seal, Wiper	2	
2	7019828	Seal	2	
3	9796250133	Seal, "O" Ring	1	
4	7019846	Seal, "O" Ring	2	
5	7019845	Ring, Back-up	2	
6	9796250135	Seal, "O" Ring	1	
7	7019844	Seal, "O" Ring	2	
8	9796250137	Seal, "O" Ring	2	
9	9796250138	Seal	2	
10	9754250015	Ring, Wear	4	
11	9754250049	Ring, Wear	4	
12	7577250271	Kit, Seal	1	
13	7003212	Locknut	1	
14	7003281	Setscrew	4	
15	7005348	Grease Fitting	1	
16	7005365	Plug, Port (Not Shown)	5	
17	70021648	Plug, Port (Not Shown)	2	
18	7440030400	Grease Fitting	1	
19	70050218	Valve, Cartridge	1	
20	70050217	Valve, Counterbalance	1	
21	70050553	Assembly, Tube	1	
22	70050554	Assembly, Rod	1	
23	70050555	Assembly, Rod-Tube	1	
24	9553250015	Head	1	
25	9254250009	Head	1	
26	9698250018	Piston	1	
27	9698250019	Piston	1	
28	9007250005	Adapter, RT Tube	1	

UNDERLIFT EXTENSION CYLINDER ASSEMBLY - 7320000076



THIS PAGE INTENTIONALLY LEFT BLANK

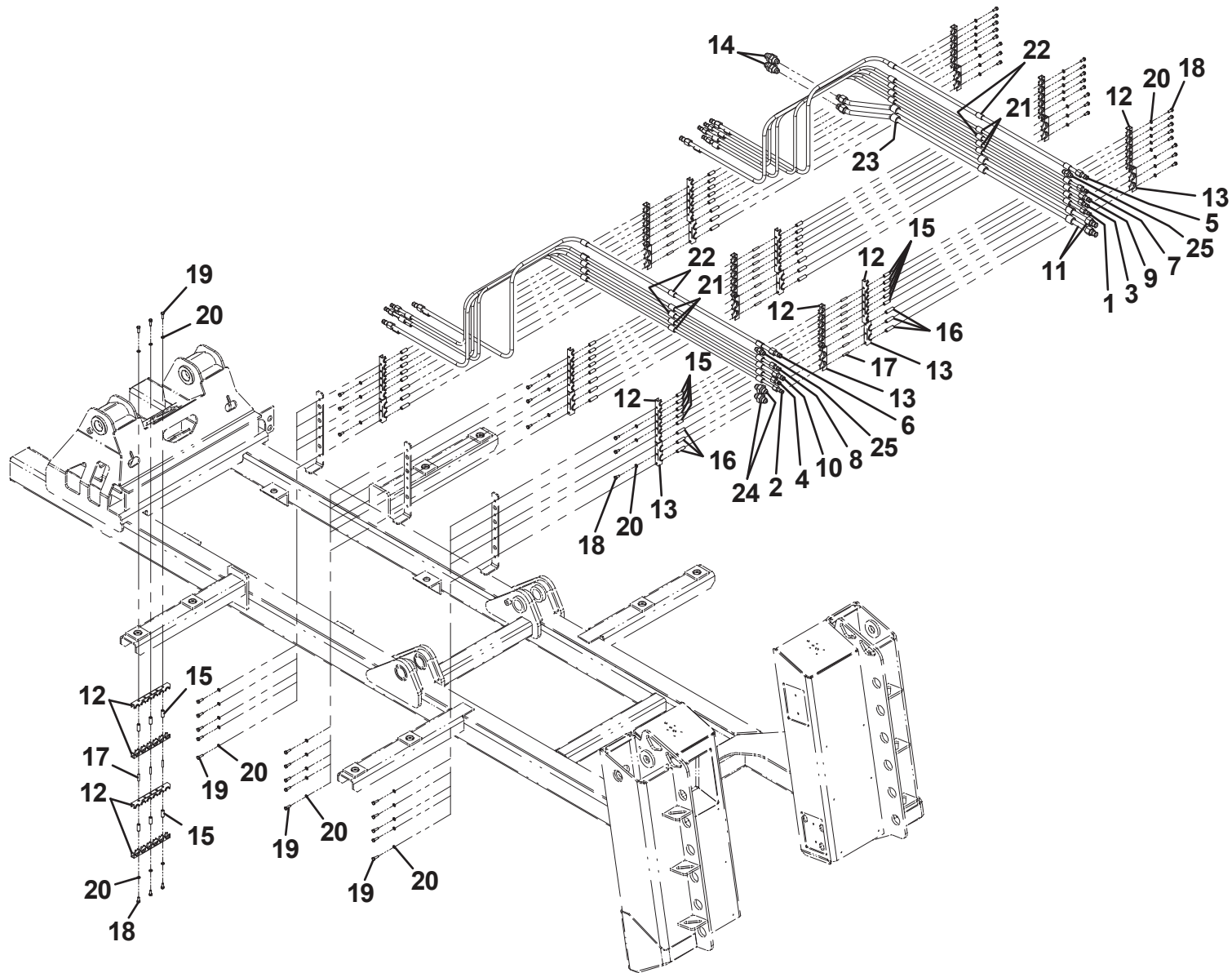
SECTION 6 - HYDRAULIC

SUBFRAME HYDRAULIC TUBING

ITEM	PART NO.	DESCRIPTION	QTY	REV
	3912000005	Subframe Hydraulic Tubing	Ref	A
1	7912000099*	Tube Assembly	1	
2	7912000098*	Tube Assembly	1	
3	7912000097*	Tube Assembly	1	
4	7912000096*	Tube Assembly	1	
5	7912000101*	Tube Assembly	1	
6	7912000100*	Tube Assembly	1	
7	7912000095*	Tube Assembly	1	
8	7912000094*	Tube Assembly	1	
9	7912000103*	Tube Assembly	1	
10	7912000102*	Tube Assembly	1	
11	7912000104*	Tube Assembly	2	
12	7274000030	Clamp	8	
13	7274000049	Clamp	6	
14	7445121225	Fitting, Bulkhead	2	
15	7661000022	Nut, 0.31" - 18NC	36	
16	7661000027	Nut, Stacking	18	
17	7007000036	Adapter, 0.31" - 18NC	19	
18	7115150650	Capscrew, 0.31" - 18NC x 0.75"	36	
19	7115150850	Capscrew, 0.31" - 18NC x 1.00"	18	
20	7950150000	Washer, 0.31" ID	54	
21	7209000023	Bushing, 0.50" ID	24	
22	7209000024	Bushing, 0.62 ID	16	
23	7209000032	Bushing, #12 Tube	6	
24	7443000210	Fitting	2	
25	7443000209	Fitting	2	

* Also Available In Shim Kit - 7577000654

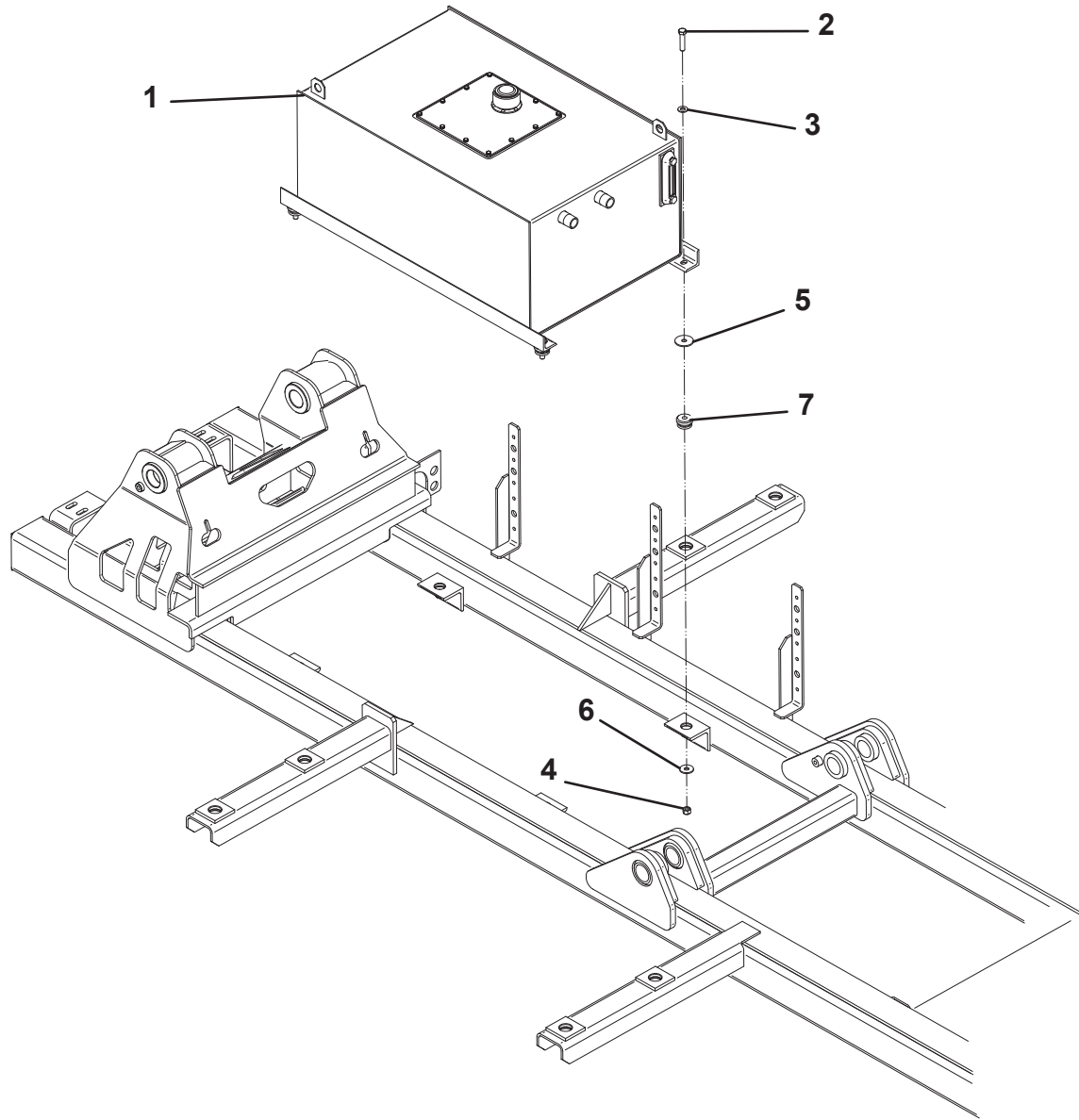
SUBFRAME HYDRAULIC TUBING



HYDRAULIC TANK INSTALLATION

ITEM	PART NO.	DESCRIPTION	QTY	REV
	2507650009	Hydraulic Tank Installation	Ref	B
1	3750000022	Hydraulic Tank Assembly (See Separate Breakdown in this Section)	1	
2	7115181850	Capscrew, 0.50" - 13NC x 2.25"	4	
3	7950180141	Flatwasher, 0.50" ID	4	
4	7660182601	Locknut, 0.50" - 13NC	4	
5	7949000015	Washer, Head	4	
6	7949000016	Washer, Tail	4	
7	7636000006	Rubber Mount	4	

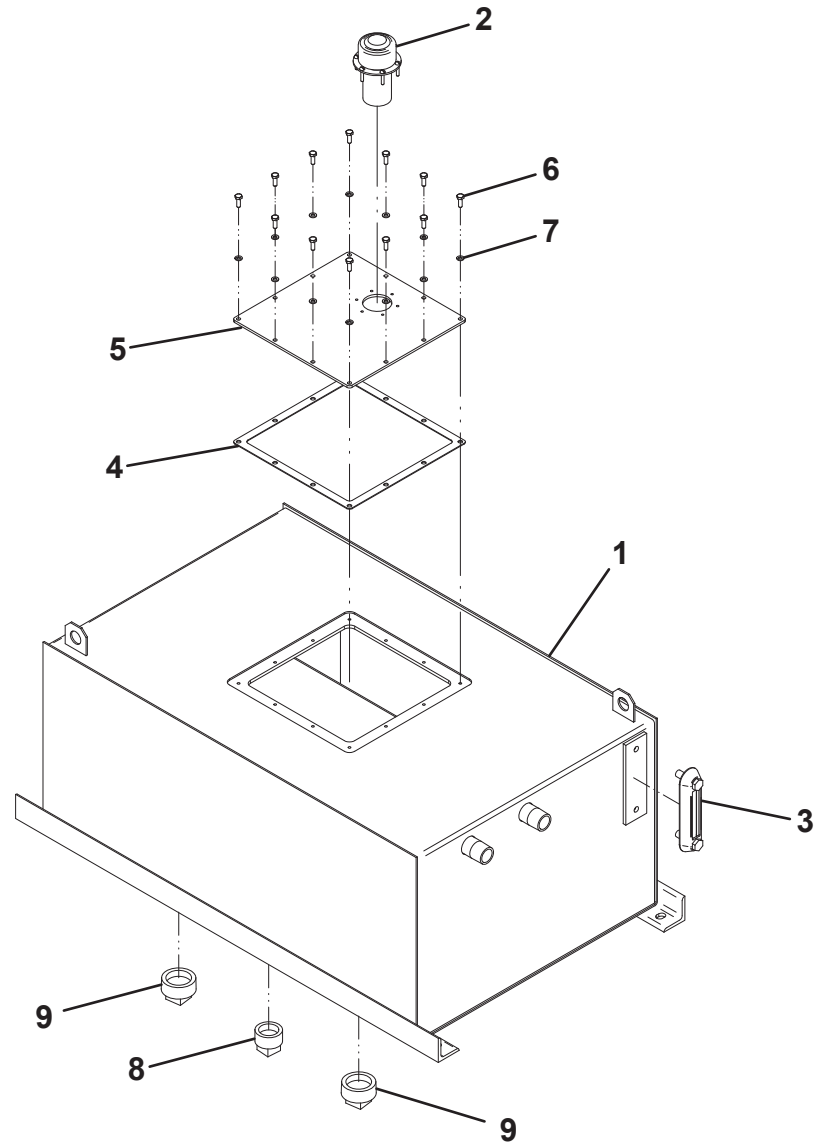
HYDRAULIC TANK INSTALLATION



HYDRAULIC TANK ASSEMBLY

ITEM	PART NO.	DESCRIPTION	QTY	REV
	3750000022	Hydraulic Tank Assembly	Ref	B
1	3750000021	Hydraulic Tank	1	
2	7183000004	Breather, Filler Cap	1	
3	7470000003	Gauge	1	
4	7796000051	Gasket, Oil Tank Cover	1	
5	4706002235	Plate	1	
6	7115140650	Capscrew, 0.25" - 20NC x 0.75"	12	
7	7950140000	Lockwasher, 0.25" ID	12	
8	7444120014	Plug	1	
9	7444160011	Plug	2	

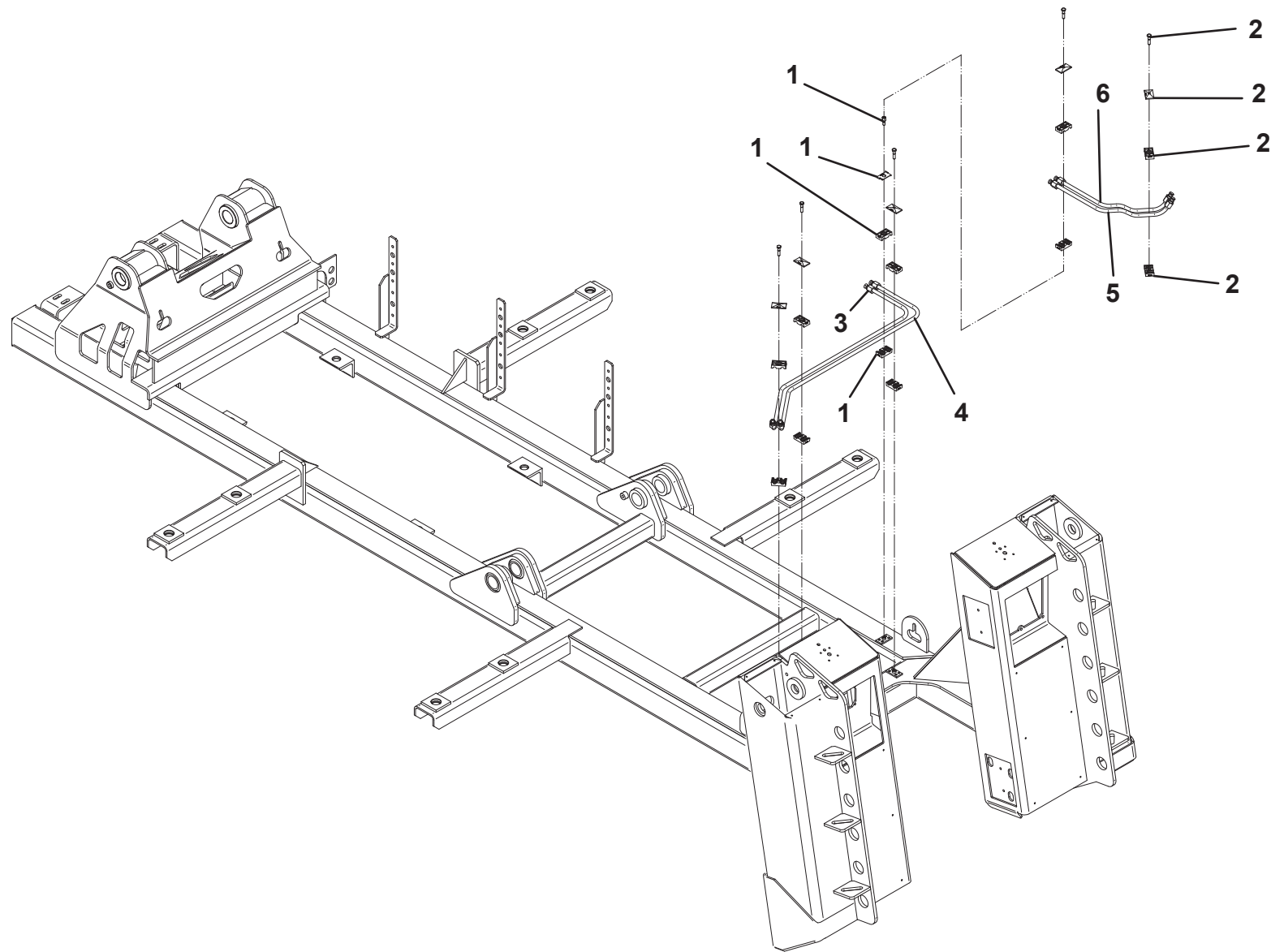
HYDRAULIC TANK ASSEMBLY



REAR SPADE TUBING

ITEM	PART NO.	DESCRIPTION	QTY	REV
	2506690012	Rear Spade Tubing	Ref	C
1	1001137487	Clamp	1	
2	1001136447	Clamp	5	
3	7912000119	Tube Assembly	1	
4	7912000120	Tube Assembly	1	
5	7912000121	Tube Assembly	1	
6	7912000122	Tube Assembly	1	

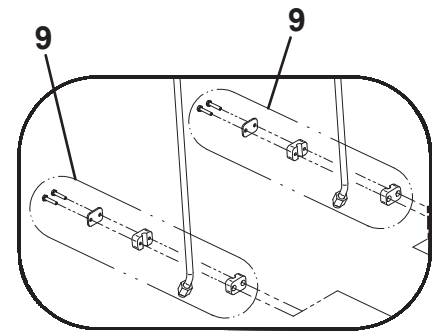
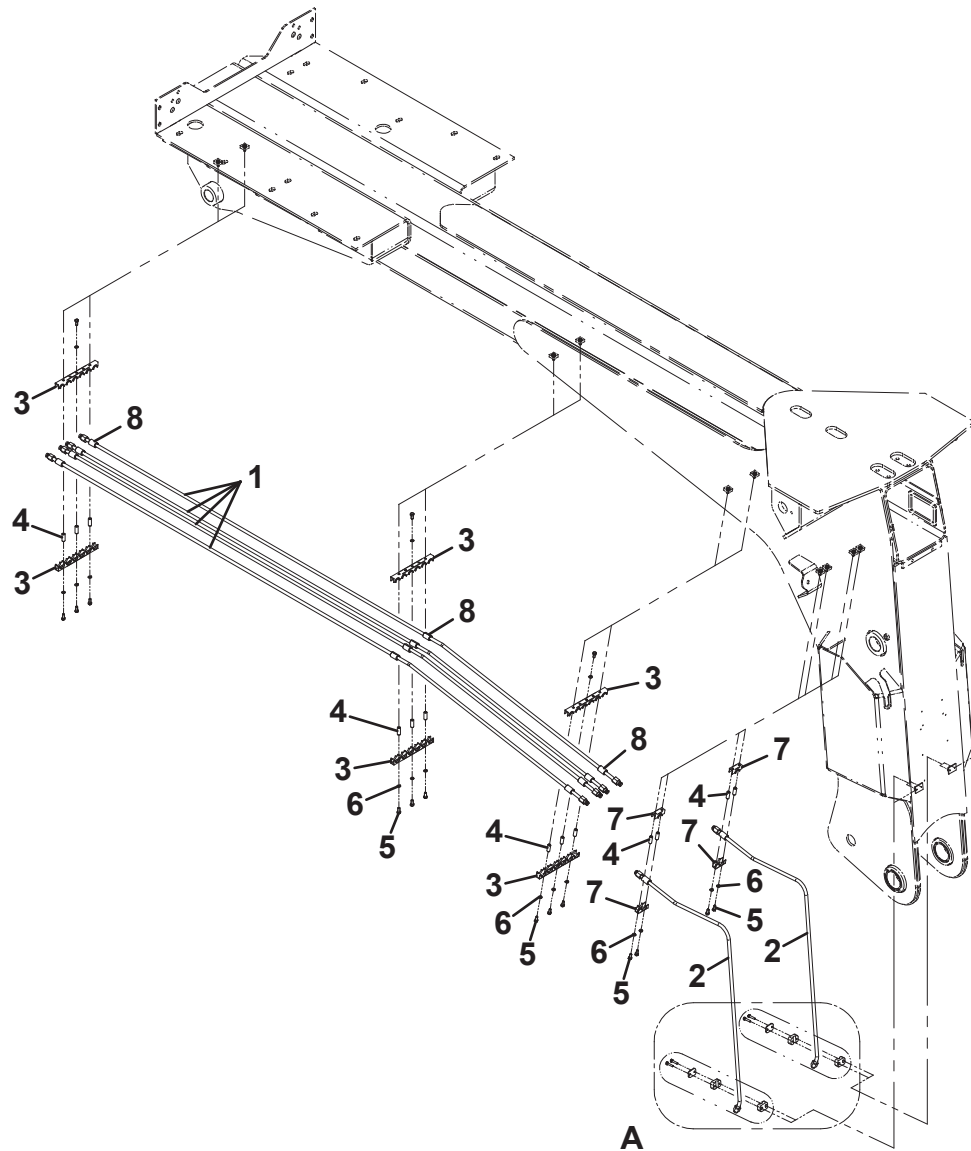
REAR SPADE TUBING



BOOM TUBE ASSEMBLY

ITEM	PART NO.	DESCRIPTION	QTY	REV
	3912000044	Boom Tube Assembly	Ref	B
1	7912000107	Tube Assembly	4	
2	7912000313	Tube Assembly	2	
3	7274000030	Clamp	3	
4	7661000022	Nut, 0.31"-18NC	9	
5	7115150650	Capscrew, 0.31"-18NC x 0.75"	9	
6	7950150000	Washer, 0.31" ID	9	
7	1001136559	Clamp	4	
8	7209000023	Bushing, 0.50" ID	12	

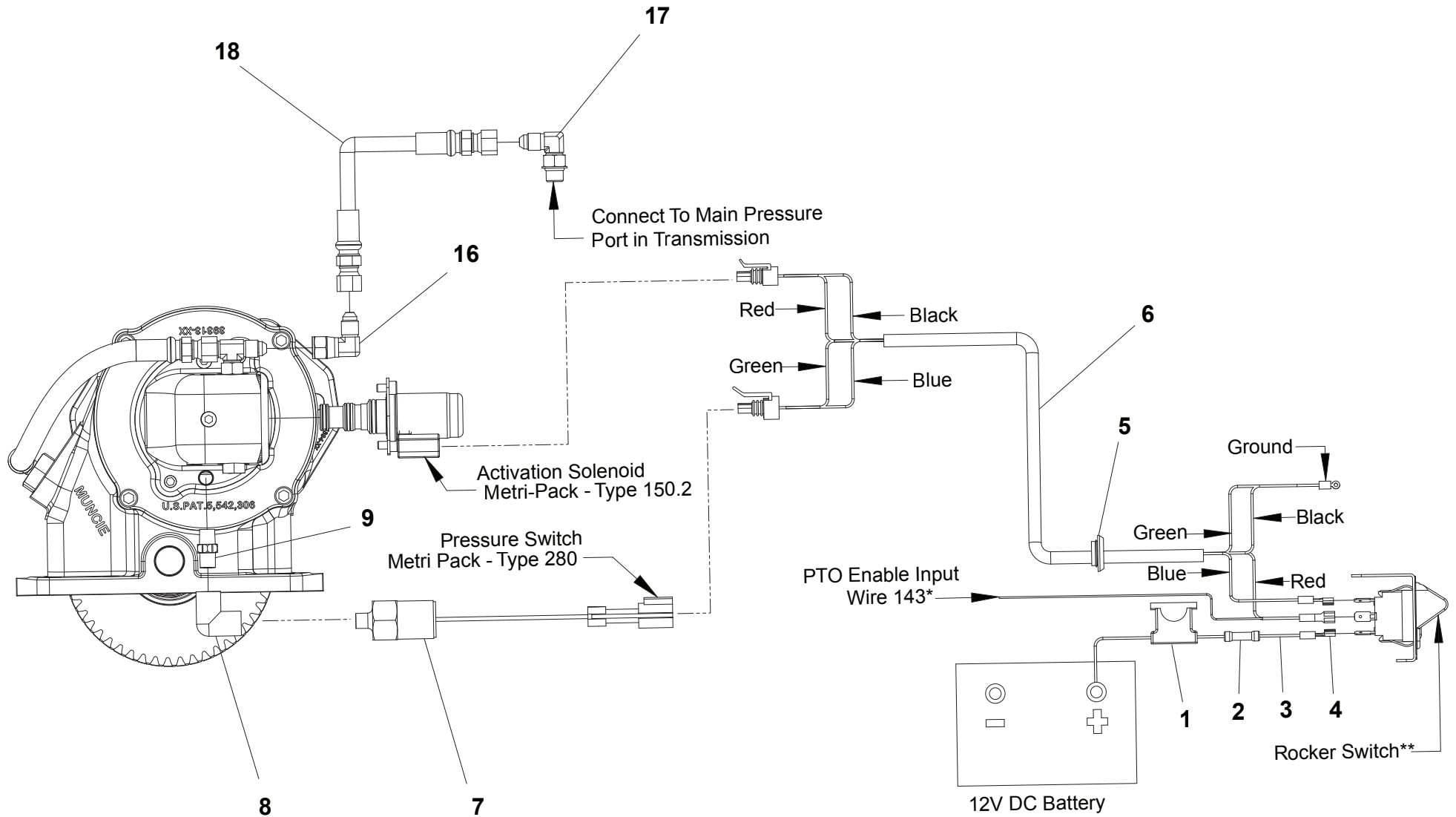
BOOM TUBE ASSEMBLY



POWER TAKE OFF - CS SERIES

ITEM	PART NO.	DESCRIPTION	QTY	REV
	NPN	Power Take Off - CS Series	Ref	
1	70050316	Fuse	1	
2	70050315	Splice	1	
3	70050312	Wire	6 ft	
4	70050314	Connector	1	
5	70050325	Grommet	1	
6	70050328	Harness, Wire	1	
7	7870000062	Switch, Pressure	1	
8	70050329	Fitting, Elbow	1	
9	70050330	Nipple	1	
10	70050313	Terminal	2	
11	70050331	Connector	3	
12	7706000005	Bracket, Switch	1	
13	7706000001	Plate	1	
14	7870000045	Switch	1	
15	70050319	Kit, Bolt	1	
16	7443000431	Fitting (Also available in kit #70050467)	1	
17	7443000244	Fitting (Also available in kit #70050467)	1	
18	70050468	Hose (Also available in kit #70050467)	1	

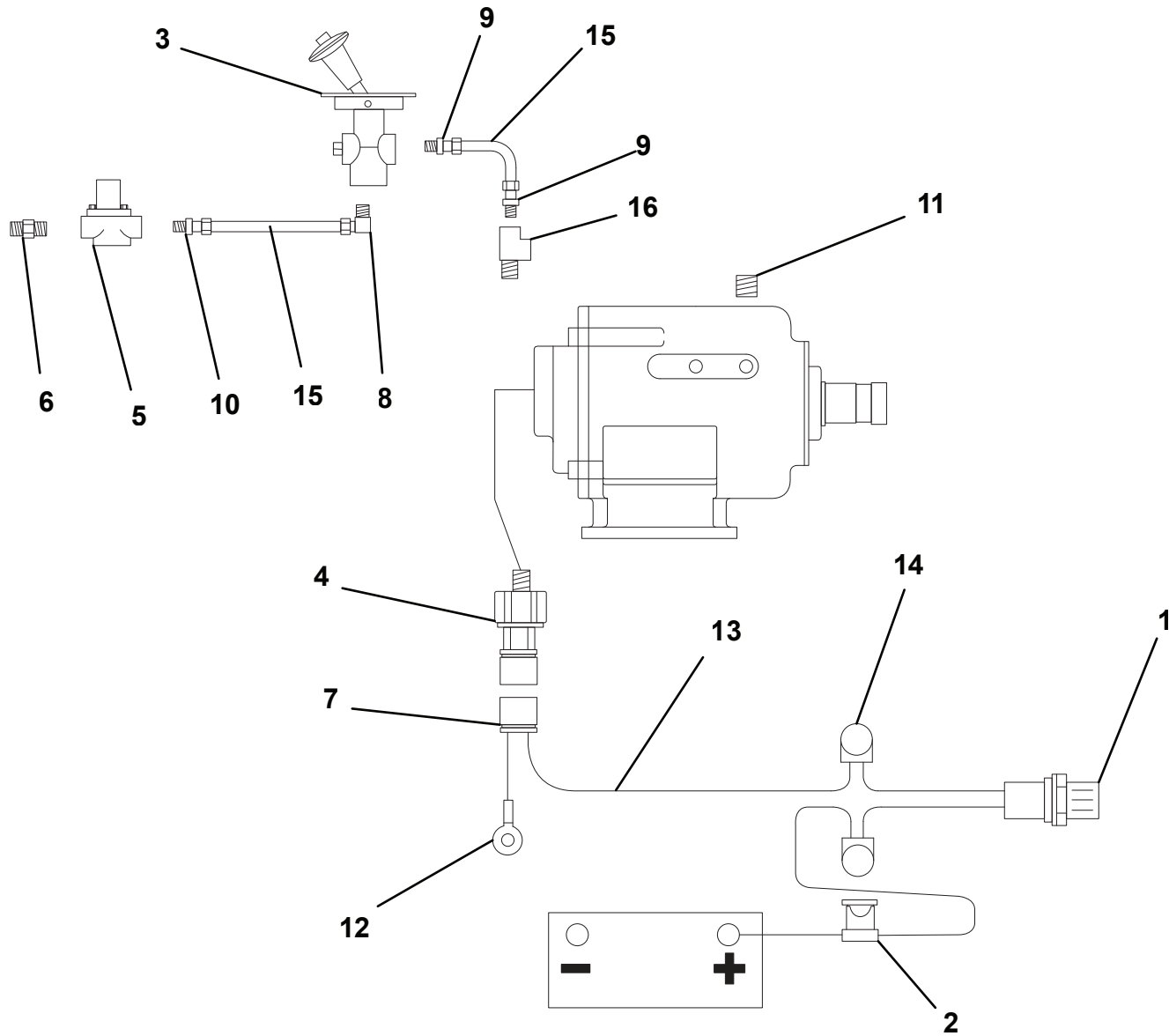
POWER TAKE OFF - CS SERIES



POWER TAKE OFF - SH SERIES

ITEM	PART NO.	DESCRIPTION	QTY	REV
	NPN	Power Take Off - SH Series	Ref	
1	7590000049	Assembly. - Light 12V	1	
2	70050316	Assembly, Fuse	1	
3	7935000104	Valve, Air	1	
4	7870000062	Switch, Pressure	1	
5	9935740034	Valve, Pressure Protection	1	
6	70050308	Nipple, Pipe	1	
7	70050668	Wiring Pigtail	1	
8	70050310	Fitting	1	
9	70050320	Connector	2	
10	70050309	Connector	1	
11	70050669	Plug	1	
12	70050313	Terminal	2	
13	70050312	Wire	12 ft	
14	70050977	Terminal, Closed End Crimp	3	
15	7565000019	Tubing, Air	1	
16	9443760018	Fitting	1	
17	70050322	Bracket, Dash (Not Shown)	1	
18	7706000004	Plate, Face (Not Shown)	1	
19	70050319	Kit, Bolt (Not Shown)	1	

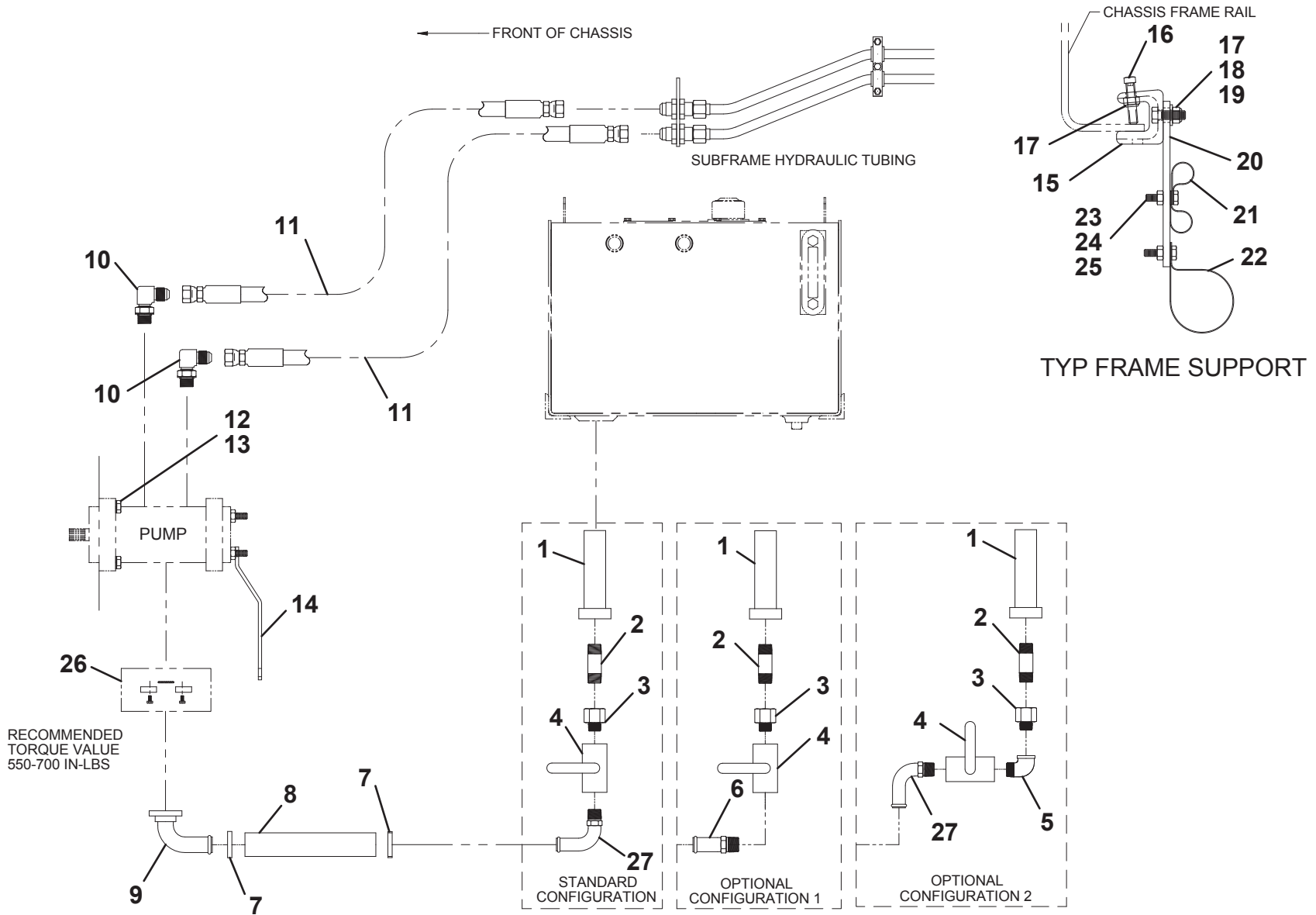
POWER TAKE OFF - SH SERIES



HYDRAULIC SUPPLY PRESSURE INSTALLATION

ITEM	PART NO.	DESCRIPTION	QTY	REV
	1001147432	Hydraulic Supply Pressure Installation	Ref	C
1	7430000010	Filter	1	
2	7650100137	Nipple	1	
3	7444121050	Reducer	1	
4	7935000116	Ball Valve	1	
5	7444121271	Elbow	A/R	
6	7443000130	Fitting	A/R	
7	7274000028	Clamp	2	
8	8565000026	Hose	19FT	
9	1001145056	Elbow	1	
10	7445121645	Elbow	2	
11	1001204565	Hose	2	
12	7115181050	Capscrew, 0.50"-13NC x 1.25"	2	
13	7950180000	Lockwasher, 0.59" ID	2	
14	4178000248	Bracket	1	
15	7274000076	Clamp	10	
16	7785152420	Screw, 0.31" - 18 x 1.50"	10	
17	7660152601	Locknut 0.31"-18NC	20	
18	7115151050	Capscrew, 0.31"-18NC x 1.25"	10	
19	7950150161	Flatwasher, 0.31" ID	10	
20	4706003844	Plate	10	
21	7274000041	Clamp	20	
22	7274000071	Clamp	10	
23	7115140850	Capscrew, 0.25"-20NC x 1.00"	20	
24	7950140152	Washer, 0.25" ID	20	
25	7660142601	Locknut, 0.25" -20NC	20	
26	7577000213	Flange	1	
27	7443000254	Fitting	1	

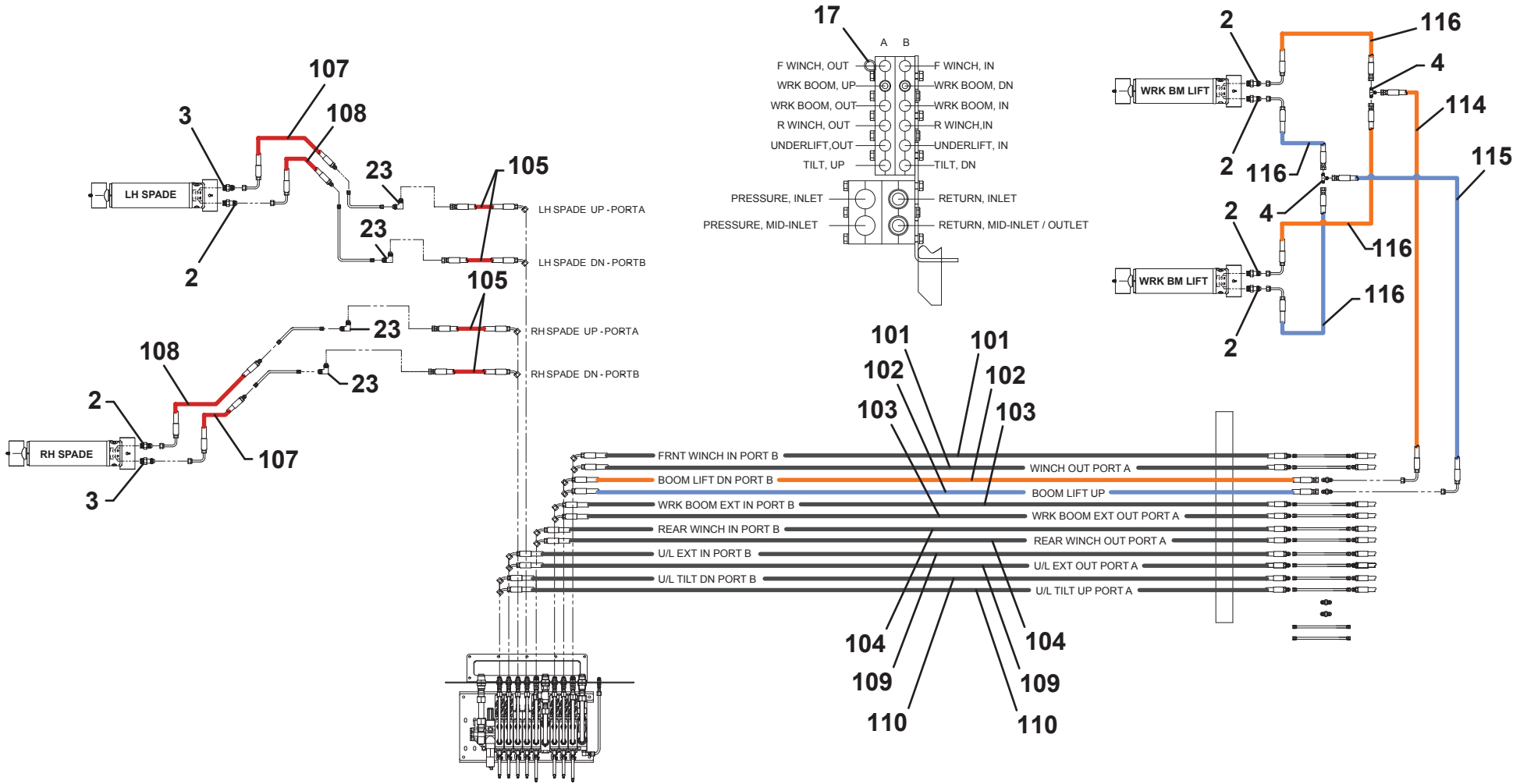
HYDRAULIC SUPPLY PRESSURE INSTALLATION



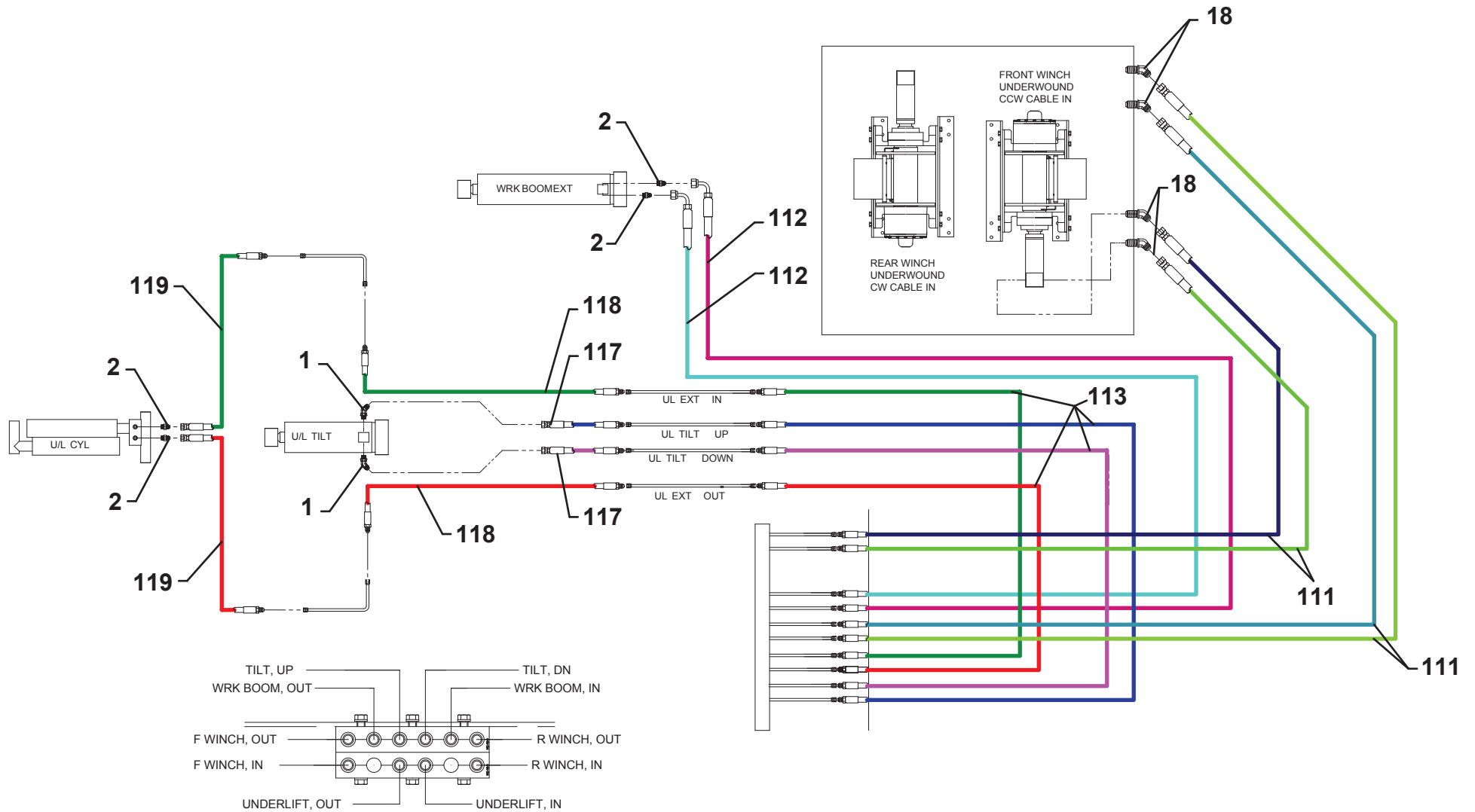
HYDRAULIC LINES AND FITTINGS

ITEM	PART NO.	DESCRIPTION	QTY	REV	ITEM	PART NO.	DESCRIPTION	QTY	REV
	1001219198	Hydraulic Lines and Fittings	Ref	A	116	4567122023	Hose Assembly	4	
1	2220501	Adapter	2		117	4570000311	Hose Assembly	2	
2	2220371	Adapter	10		118	4570000312	Hose Assembly	2	
3	2220998	Fitting	2		119	4570000254	Hose Assembly	2	
4	2220490	Adapter	2		120	4567113028	Hose Assembly	1	
5	7445161620	Elbow	2		121	4567122023	Hose Assembly	1	
6	7470000004	Pressure Gauge	2		122	1001192397	Hose Assembly	1	
7	7790060676	Screw, #6 x 0.38"	6		123	1001192395	Hose Assembly	1	
8	7445040421	Fitting	2		124	1001192423	Hose Assembly	1	
9	1001094694	Reducer	1		125	1001192428	Hose Assembly	1	
10	7430000004	Filter	2		126	4657182029	Hose Assembly	1	
11	7443000158	Elbow	2		127	4567182024	Hose Assembly	1	
12	7470000002	Gauge	2		128	1001192422	Hose Assembly	1	
13	2220642	Adapter	1		129	4570000310	Hose Assembly	1	
14	2220878	Adapter	1		201	4567152018	Hose Assembly	1	
15	2220415	Adapter	1		202	1001166532	Hose Assembly	1	
16	7445060219	Adapter	1		203	1001166533	Hose Assembly	1	
17	1320224	Clamp	1						
18	2230035	Adapter	4						
19	7445100843	Adapter	2						
20	1001200235	Hose Kit	1						
21	2221042	Elbow	2						
22	2220700	Adapter	2						
23	7445080830	Adapter	4						
24	2220518	Adapter	2						
101	1001192447	Hose Assembly	2						
102	1001192437	Hose Assembly	2						
103	1001192459	Hose Assembly	2						
104	1001192462	Hose Assembly	2						
105	1001192504	Hose Assembly	4						
107	4570000268	Hose Assembly	2						
108	4570000269	Hose Assembly	2						
109	1001192490	Hose Assembly	2						
110	1001192492	Hose Assembly	2						
111	4569160048	Hose Assembly	4						
112	4570000255	Hose Assembly	2						
113	4570000069	Hose Assembly	4						
114	4570000263	Hose Assembly	1						
115	5470000264	Hose Assembly	1						

HYDRAULIC LINES AND FITTINGS



HDRAULIC LINES AND FITTINGS



DRIVER SIDE GAUGE INSTALLATION

ITEM	PART NO.	DESCRIPTION	QTY	REV
	1001220218	Driver Side Gauge Installation	Ref	A
1	7470000004	Gauge Mount	2	
2	7790060676	Screw, #6 x 0.38"	6	
3	7445040421	Fitting	2	
4	1001094694	Reducer	2	
5	2230021	Adapter	2	
6	2220654	Adapter	2	
7	1001193233	Hose Assembly	2	
8	1001193241	Hose Assembly	1	
9	1001193242	Hose Assembly	1	

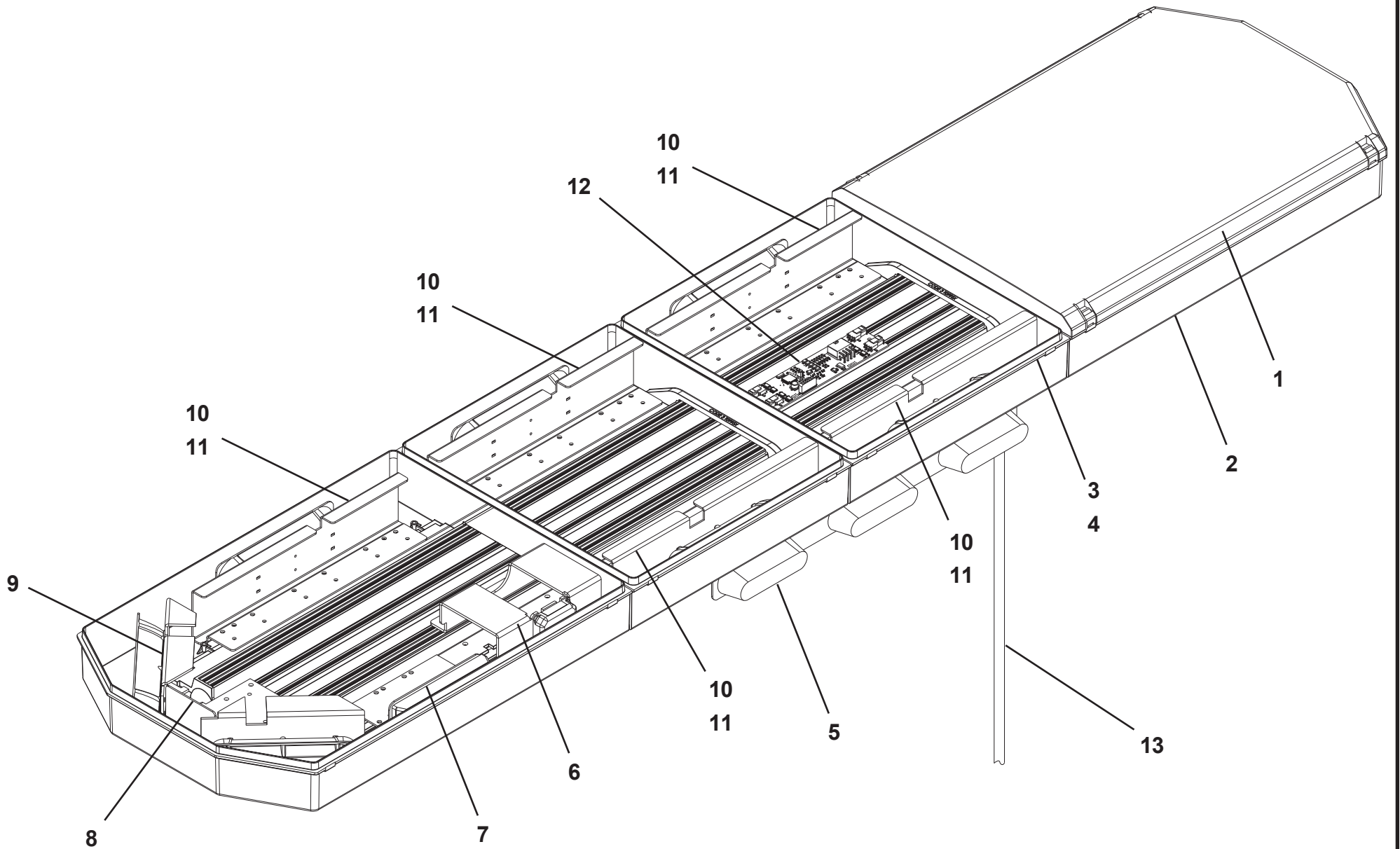
THIS PAGE INTENTIONALLY LEFT BLANK

SECTION 7 - ELECTRICAL

LIGHTBAR - CODE 3 - 1001136990

ITEM	PART NO.	DESCRIPTION	QTY	REV
	1001136990	Lightbar - Code 3	Ref	B
1	9590310197	Lens, Clear Upper Outboard	2	
2	9590310200	Lens, Clear, Lower Outboard	2	
3	9590310203	Lens, Clear Lower Center	2	
4	9590310195	Lens, Clear Upper Center	2	
5	1001126269	3 Light D.O.T. Strip	1	
6	70050164	Worklight, LED	2	
7	1001130702	Module, LED Stop/Tail/Turn	2	
8	70050166	Bracket, Blank	4	
9	9590310206	Module, Bracket	4	
10	9590310205	Module, Led Amber	6	
11	9590310202	Bracket, Mounting	6	
12	70050167	Controller, General	1	
13	70050165	Cable, Jerr-Dan 9 Wire	1	
14	70050980	Harness, Internal Input	1	
15	70050981	Harness, Internal Output	1	

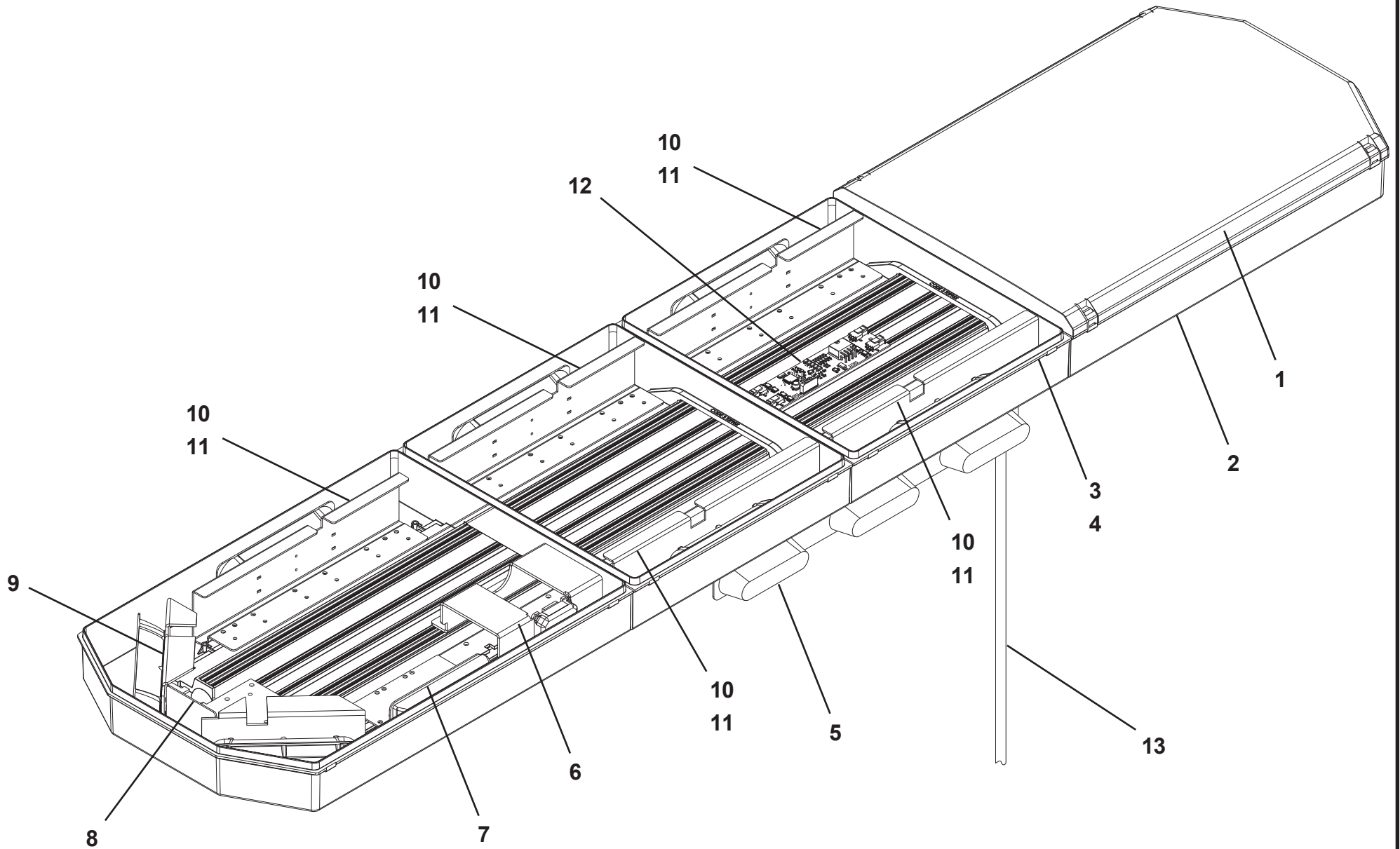
LIGHTBAR - CODE 3 - 1001136990



LIGHTBAR - CODE 3 - 1001152815

ITEM	PART NO.	DESCRIPTION	QTY	REV
	1001152815	Lightbar - Code 3	Ref	A
1	9590310197	Lens, Clear Upper Outboard	2	
2	9590310200	Lens, Clear, Lower Outboard	2	
3	9590310203	Lens, Clear Lower Center	2	
4	9590310195	Lens, Clear Upper Center	2	
5	1001126269	3 Light Strip	1	
6	70050164	Worklight	2	
7	1001130702	Module	2	
8	70050166	Bracket	4	
9	70050979	Bracket	6	
10	70050722	Module	6	
11	9590310202	Bracket	6	
12	70050167	Controller	1	
13	70050165	Cable	1	
14	70050980	Harness	1	
15	70050981	Harness	1	

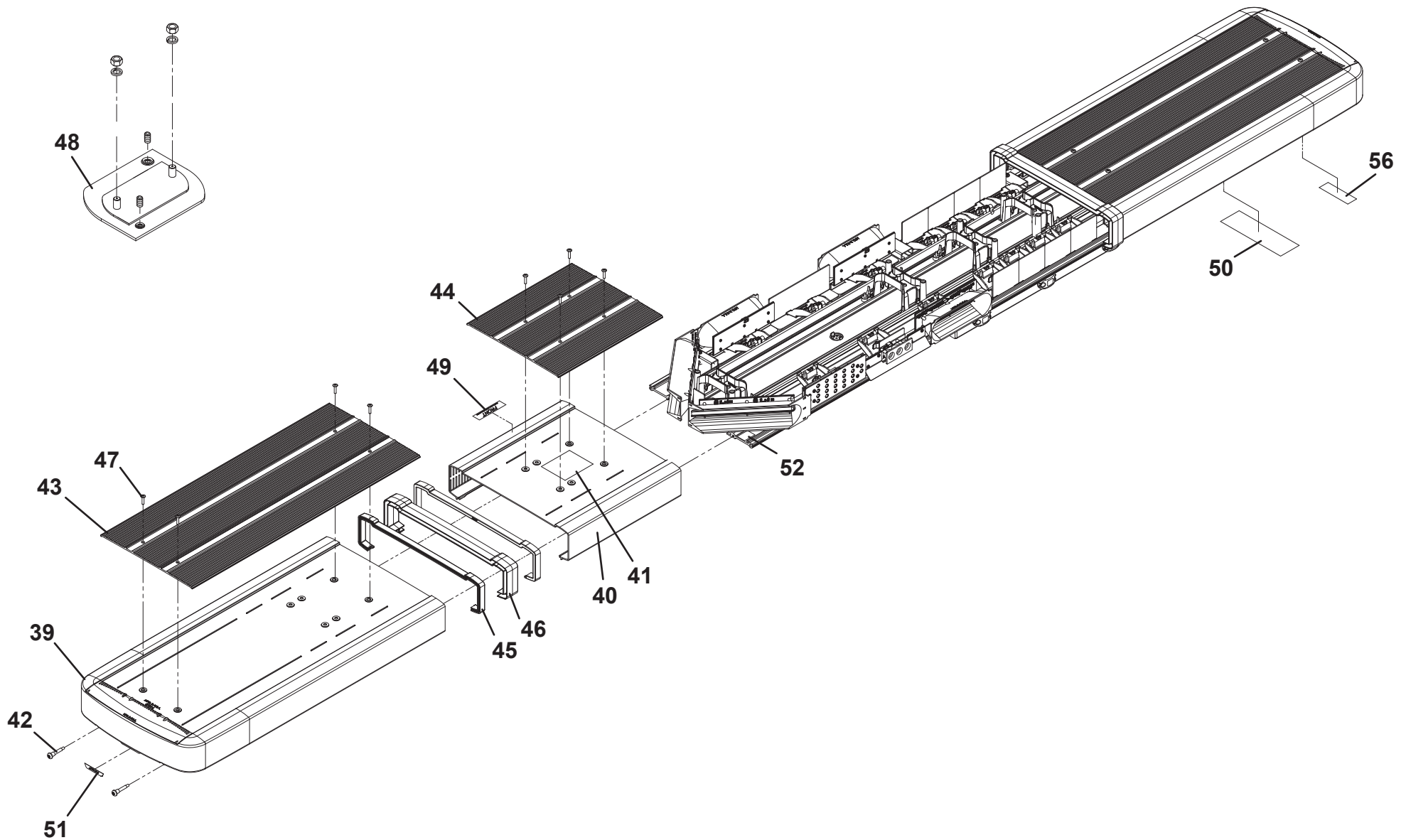
LIGHTBAR - CODE 3 - 1001152815



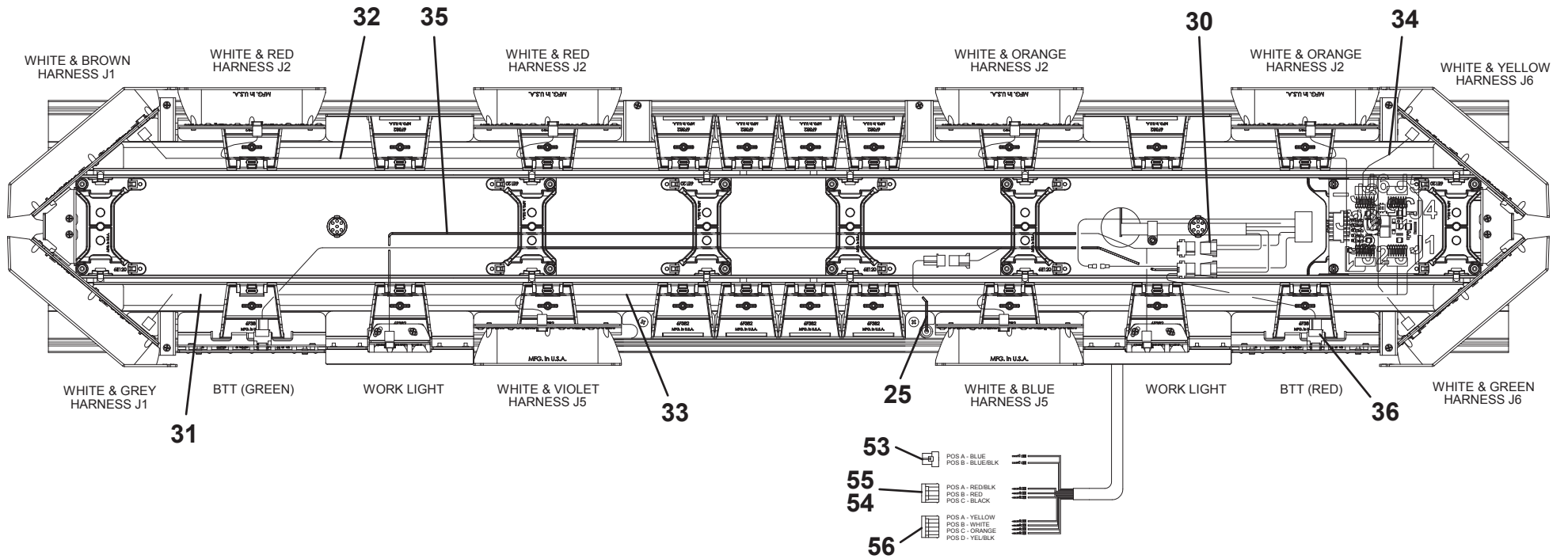
LIGHTBAR - WHELEN - 1001199475

ITEM	PART NO.	DESCRIPTION	QTY	REV	ITEM	PART NO.	DESCRIPTION	QTY	REV
	1001199475	Lightbar - Whelen	Ref	B	39	70051076	Lens	1	
1	70051058	Base	1		40	70051077	Lens	1	
2	70050169	Grommet	1		41	70051078	Label	1	
3	70050170	Plug	2		42	70050203	Screw, #10-24NC X 1.25"	4	
4	70051059	Screw, #10-24NC x 0.88"	1		43	70051062	Cover	2	
5	70051021	Bracket	6		44	70051061	Cover	1	
6	70051022	Bracket	1		45	70051048	Seal	4	
7	70051023	Circuit Board	1		46	70051049	Lens	2	
8	70051060	Cable	1		47	70051053	Screw, #10 X 0.88"	12	
9	70050665	Clamp	1		48	70050204	Adapter	2	
10	70050174	Nut, #10-24NC	1		49	70051055	Label	1	
11	70051026	Tiewrap	AR		50	70050207	Label	1	
12	70051027	Bracket	2		51	70051056	Label	2	
13	70051035	Bracket	4		52	70051057	Label	1	
14	70051028	Screw, #6-32NC X 0.50"	10		53	70050208	Housing	1	
15	70051029	Lamp, Rear Amber	2		54	70050209	Connector	1	
16	70051030	Lamp, Front Amber	2		55	70050210	Housing	1	
17	70051063	Lamp, 6 LED	6		56	70050211	Housing	1	
18	70051064	Lamp, 3 LED	2						
19	70051065	Lamp	2						
20	70051066	Bracket	2						
21	70051036	Bracket	8						
22	70051039	Bracket	2						
23	70050176	Grommet	1						
24	70051068	Lamp	1						
25	70050178	Harness	1						
26	70051069	Bracket	2						
27	70050179	Screw, #10-32NF X 0.50"	2						
28	70050180	Lockwasher, #10 ID	2						
29	70050181	Housing	1						
30	70050175	Housing	2						
31	70051070	Harness	1						
32	70051071	Harness	1						
33	70051072	Harness	1						
34	70051073	Harness	1						
35	70051074	Harness	1						
36	70051075	Harness	1						
37	70051044	Bracket	20						
38	70051045	Tiewrap	AR						

LIGHTBAR - WHELEN - 1001199475



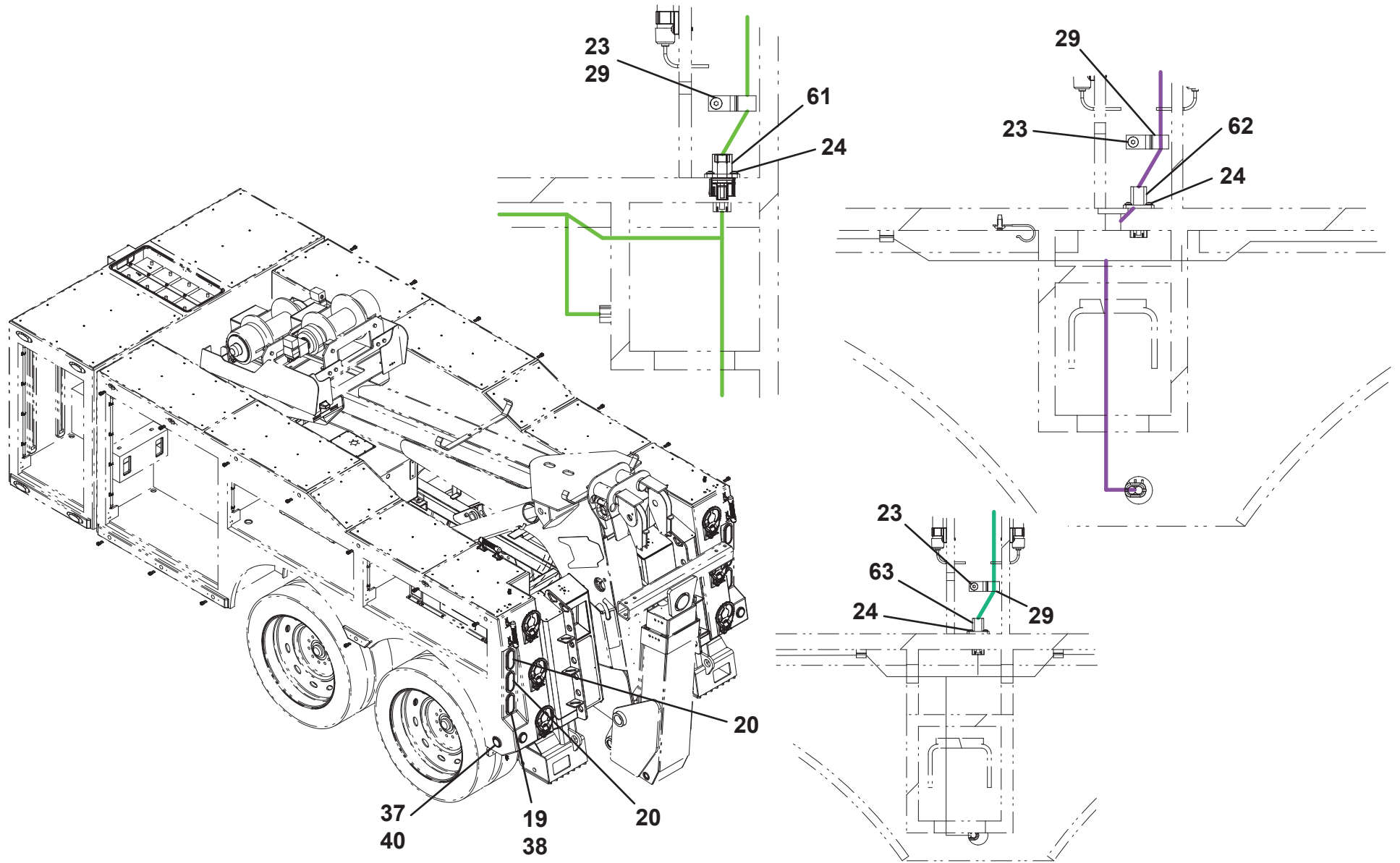
LIGHTBAR - WHELEN - 1001199475

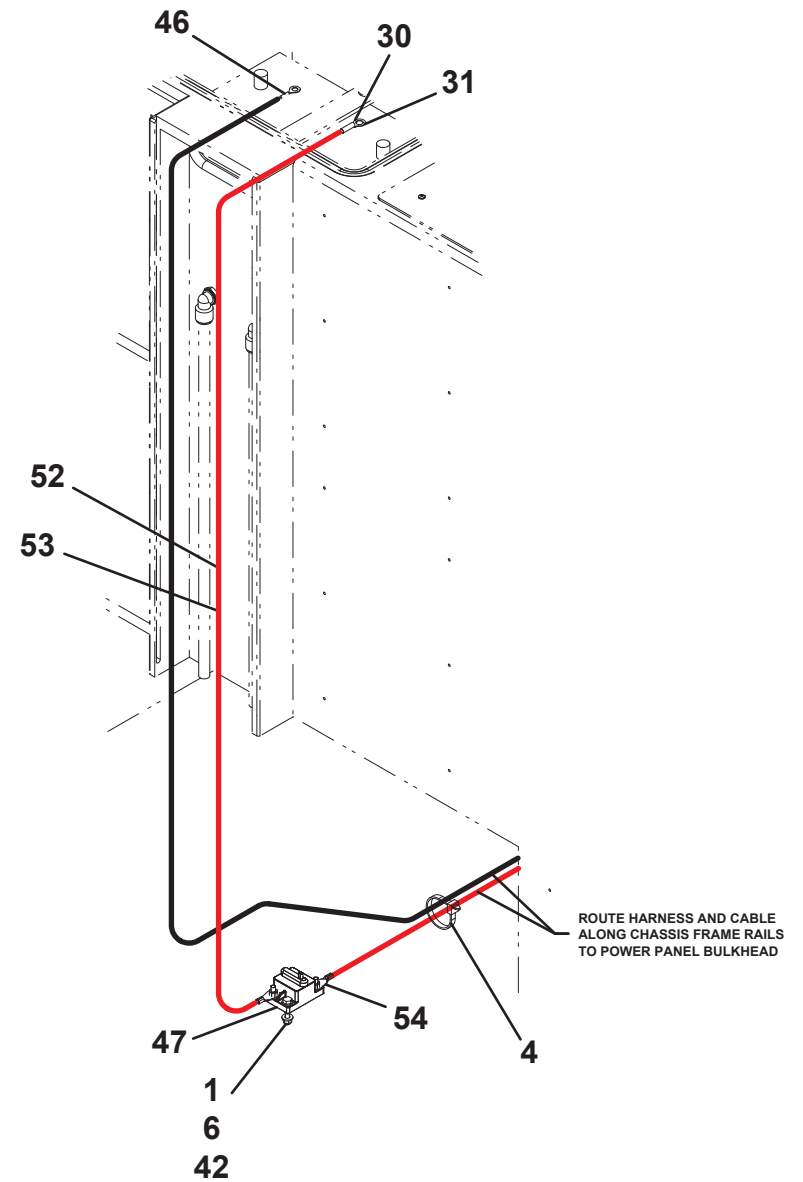
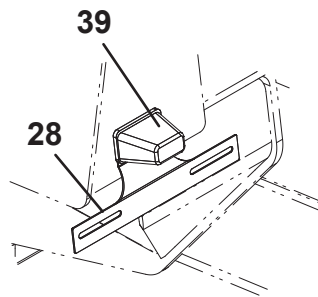
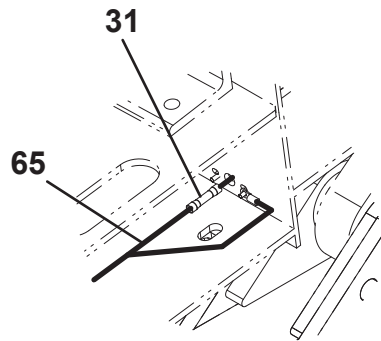
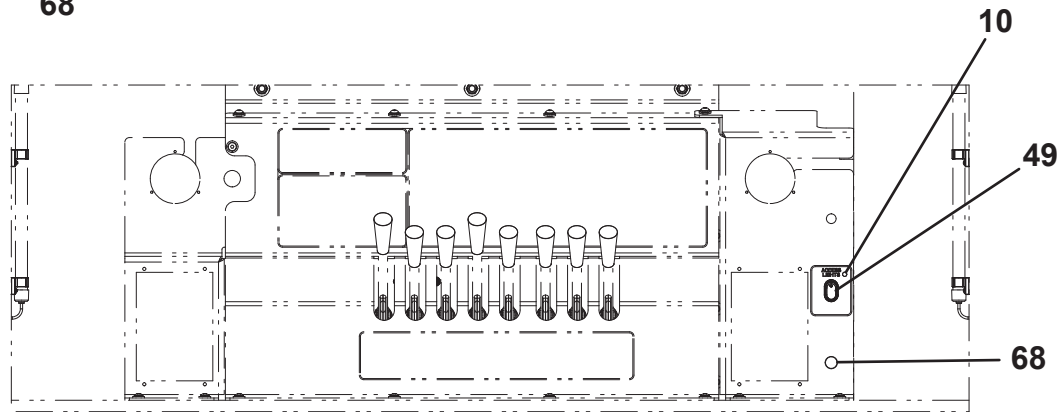
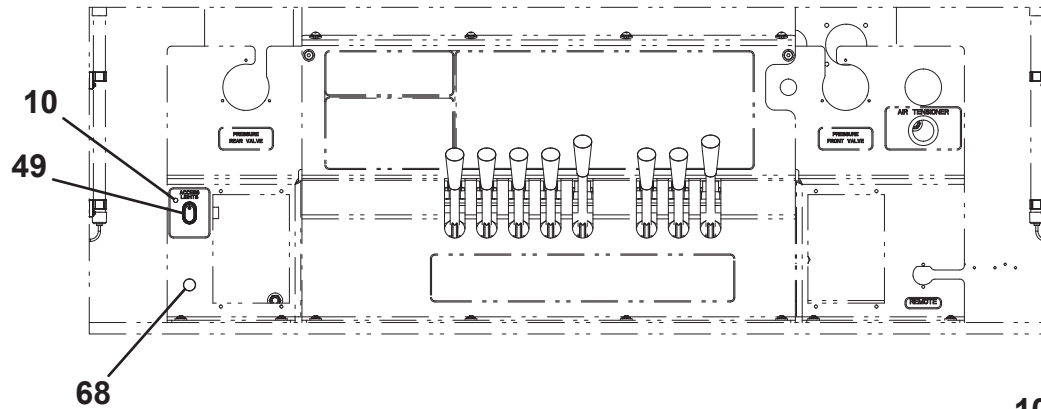


ELECTRICAL INSTALLATION - TANDEM AXLE

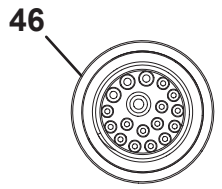
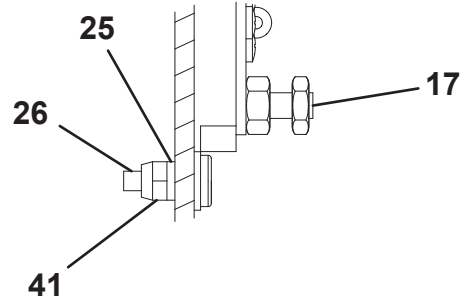
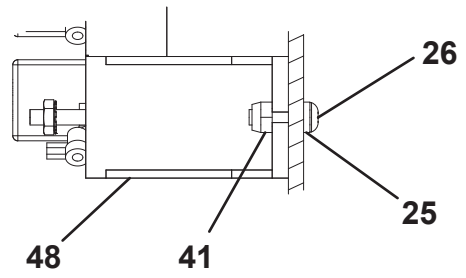
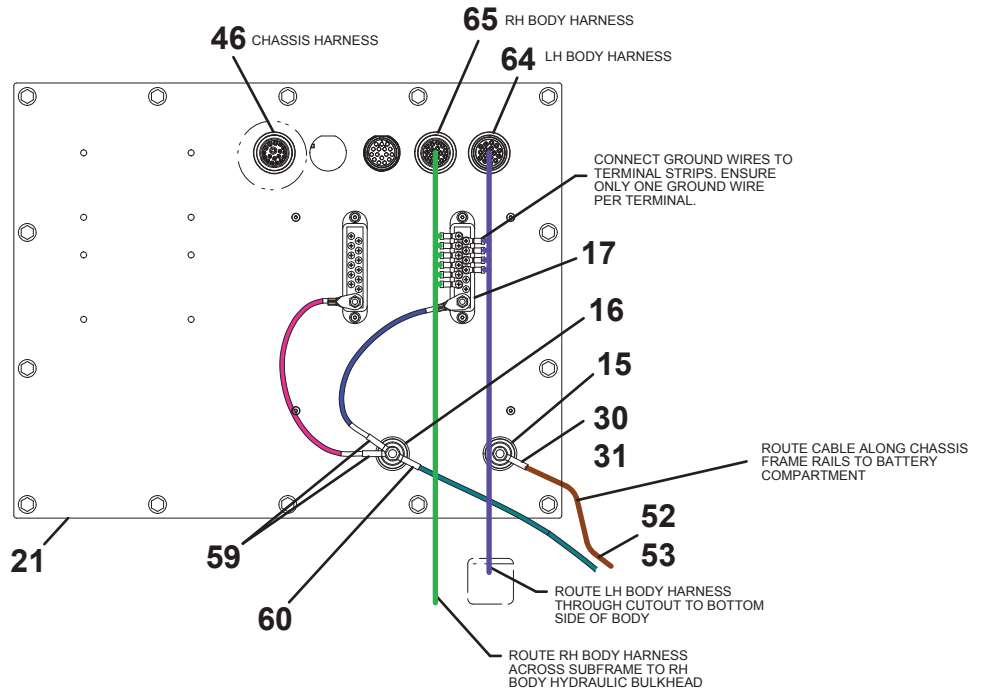
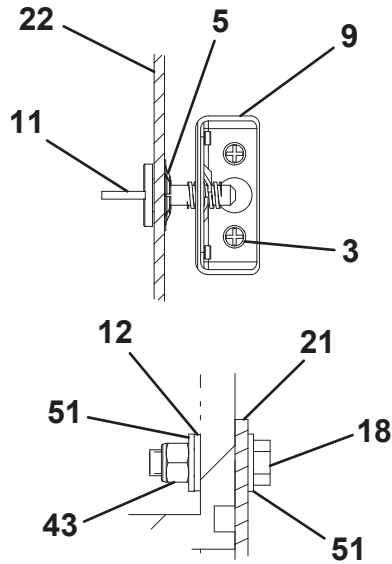
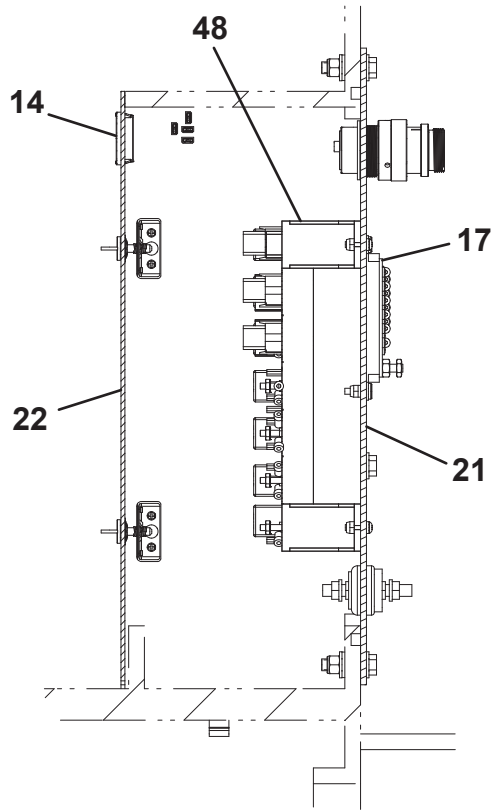
ITEM	PART NO.	DESCRIPTION	QTY	REV	ITEM	PART NO.	DESCRIPTION	QTY	REV
	1001216178	Electrical Installation - Tandem Axle	Ref	C	39	7590000105	Light, License Plate	1	
1	641412	Cap screw, 0.25"-20 X 1.50"	2		40	7590000343	Light, 2.50" Dia	4	
2	641506	Cap screw, 0.31"-18 X 0.75"	1		41	7660102601	Nut, #10-24NC	8	
3	750604	Screw	8		42	7660142600	Locknut, 0.25"-20NC	2	
4	5526000553	Tie Strap	25		43	7660162601	Locknut, 0.38"-16NC	14	
5	3760308	Retaining Ring	4		44	7661000023	Locknut, #10-32NF	18	
6	4711400	Washer, 0.25" ID	4		45	7740000001	Relay	12	
7	4751500	Washer, 0.31" ID	1		46	1001189287	Harness	1	
8	4761500	Washer, 0.31" ID	1		47	7870000043	Breaker	1	
9	1001122235	Bracket	4		48	7870000123	Power Distribution Panel	1	
10	1001167452	Decal	2		49	7870000143	Switch	2	
11	1001166930	Latch	4		50	7949000053	Washer	1	
12	1001166974	Washer, 0.38" ID	14		51	7950160143	Flatwasher, 0.38" ID	28	
13	1001189295	Harness	1		52	7978000011	Cable	25FT	
14	1001167607	Grommet	2		53	8597650001	Loom	25FT	
15	1001168320	Terminal	1		54	1001125479	Terminal	2	
16	1001168321	Terminal	1		55	1001189284	Harness	1	
17	1001168322	Terminal	2		56	1001162928	Harness	1	
18	1001168993	Cap screw, 0.38"-16 X 1.50"	14		57	1001168323	Cable	1	
19	1001174680	Lamp	2		58	1001168325	Cable	1	
20	1001174681	Lamp	4		59	1001168326	Cable	2	
21	1001191552	Panel	1		60	1001168328	Cable	1	
22	1001191602	Panel	1		61	1001188923	Harness	2	
23	1001195257	Screw, 0.25" X 0.50"	73		62	1001188924	Harness	2	
24	1001196552	Screw, #8 X 0.75"	24		63	1001188949	Harness	2	
25	1001197483	Washer	8		64	1001188961	Harness	1	
26	7114100618	Screw, #10-24 X 0.75"	8		65	1001188962	Harness	1	
27	7120000035	Cap screw, 0.31"-18NC X 0.50"	1		66	1001201384	Socket	1	
28	7178000025	License Plate Bracket	1		67	1001144012	Harness	2	
29	7280000006	Clip	73		68	7701000067	Plug	2	
30	7345242202	Terminal	2						
31	7346000045	Tubing	0.25						
32	7457000006	Fuse	2						
33	7457000011	Fuse	3						
34	7457000012	Fuse	2						
35	7457000019	Fuses	10						
36	7457000023	Fuse	3						
37	1001220431	Grommet	4						
38	7493000026	Grommet	6						

ELECTRICAL INSTALLATION - TANDEM AXLE



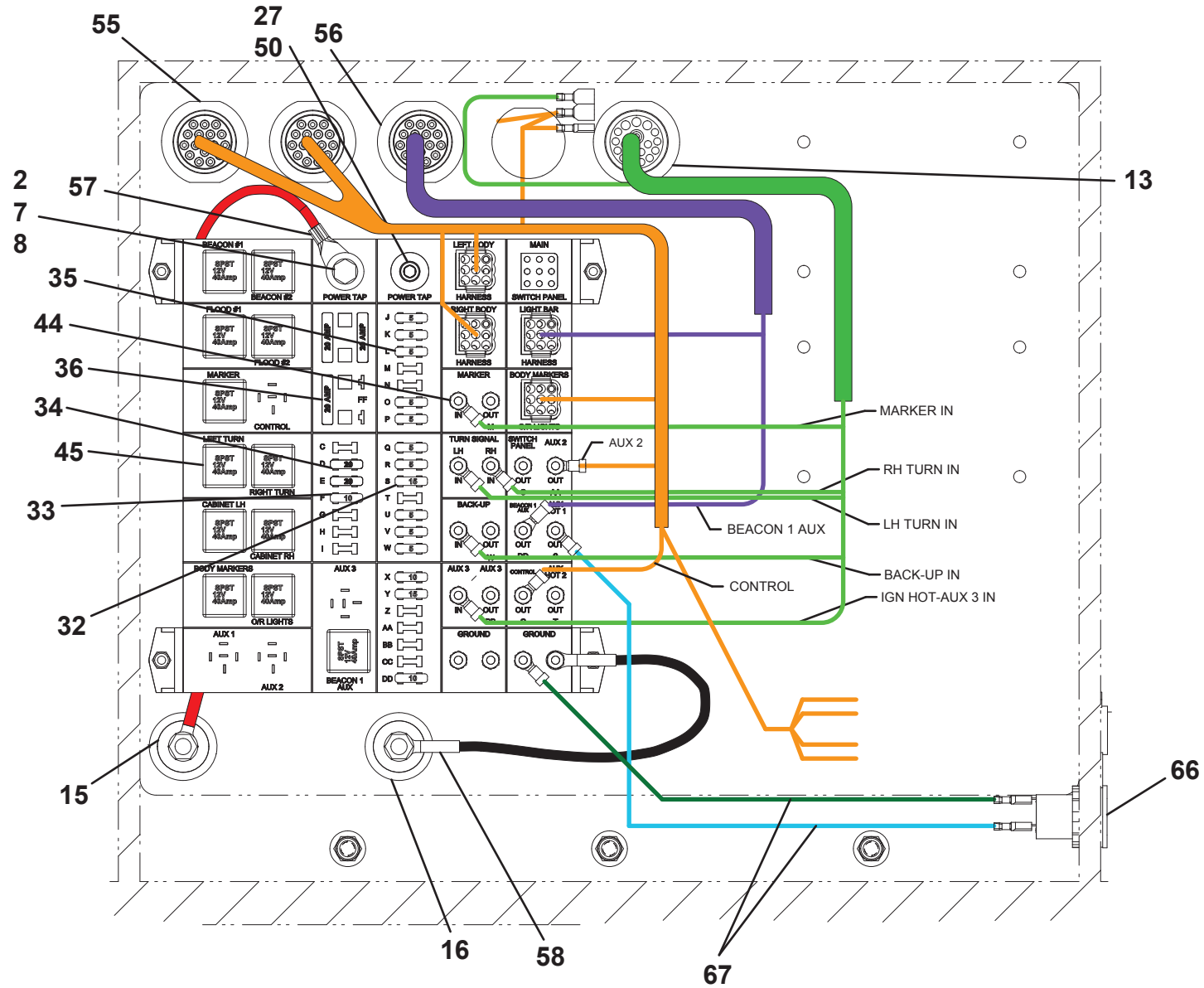
ELECTRICAL INSTALLATION - TANDEM AXLE

ELECTRICAL INSTALLATION - TANDEM AXLE



CHASSIS WIRING TO POWER PANEL				
CAVITY	CIRCUIT	GAUGE	FUNCTION	
1			PLUGGED	
2			PLUGGED	
3			PLUGGED	
4			PLUGGED	
5			PLUGGED	
6	22A	10	FLASHER POWER FROM BATT	
7			PLUGGED	
8			PLUGGED	
9	11	FROM CHASSIS	IGN HOT	
10	12	FROM CHASSIS	RH S/T	
11	13	FROM CHASSIS	LH S/T	
12	14	FROM CHASSIS	MARKER	
13	15	FROM CHASSIS	BACK-UP	
14			PLUGGED	
15			PLUGGED	
16			PLUGGED	
17			PLUGGED	
18			PLUGGED	

ELECTRICAL INSTALLATION - TANDEM AXLE

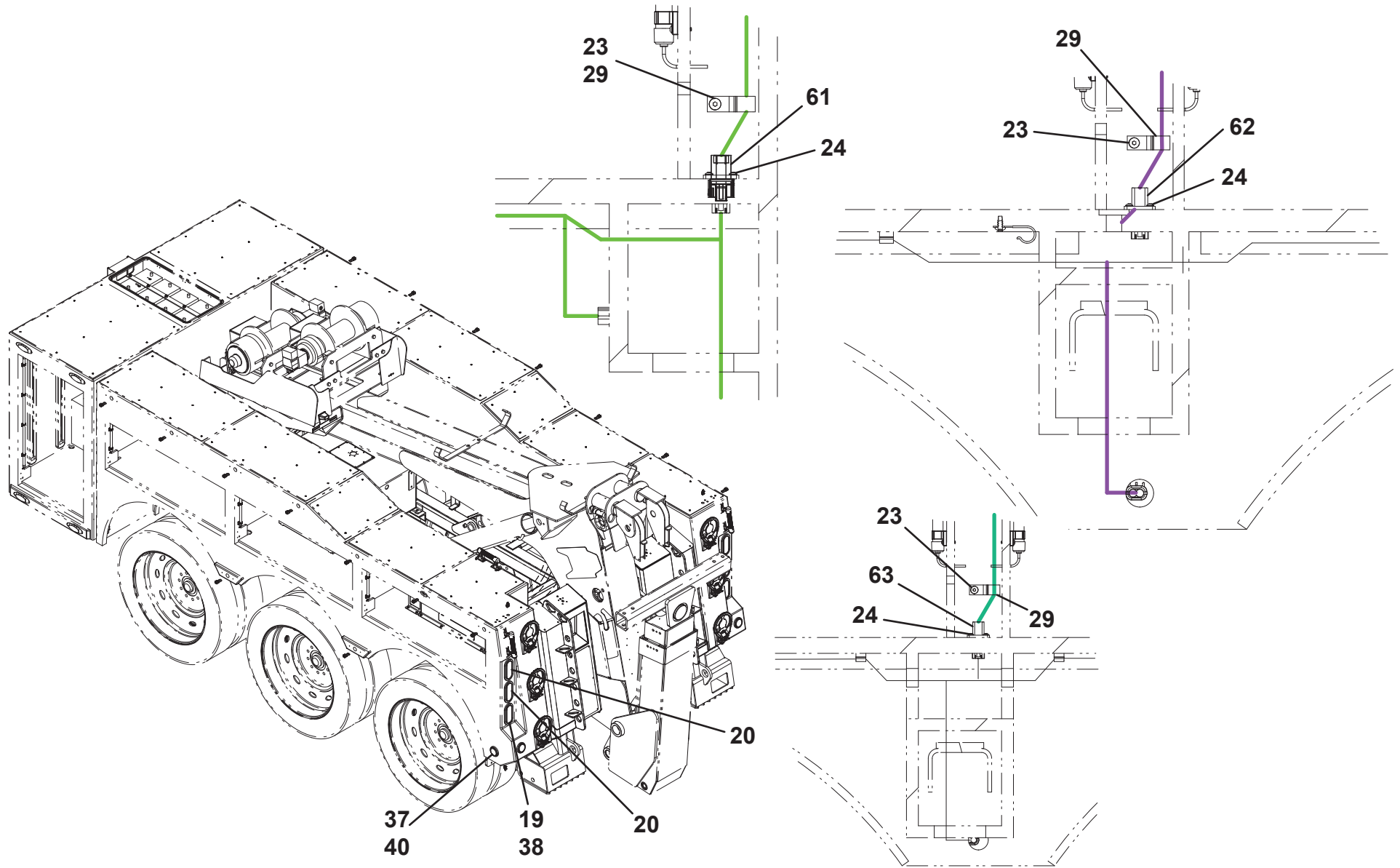


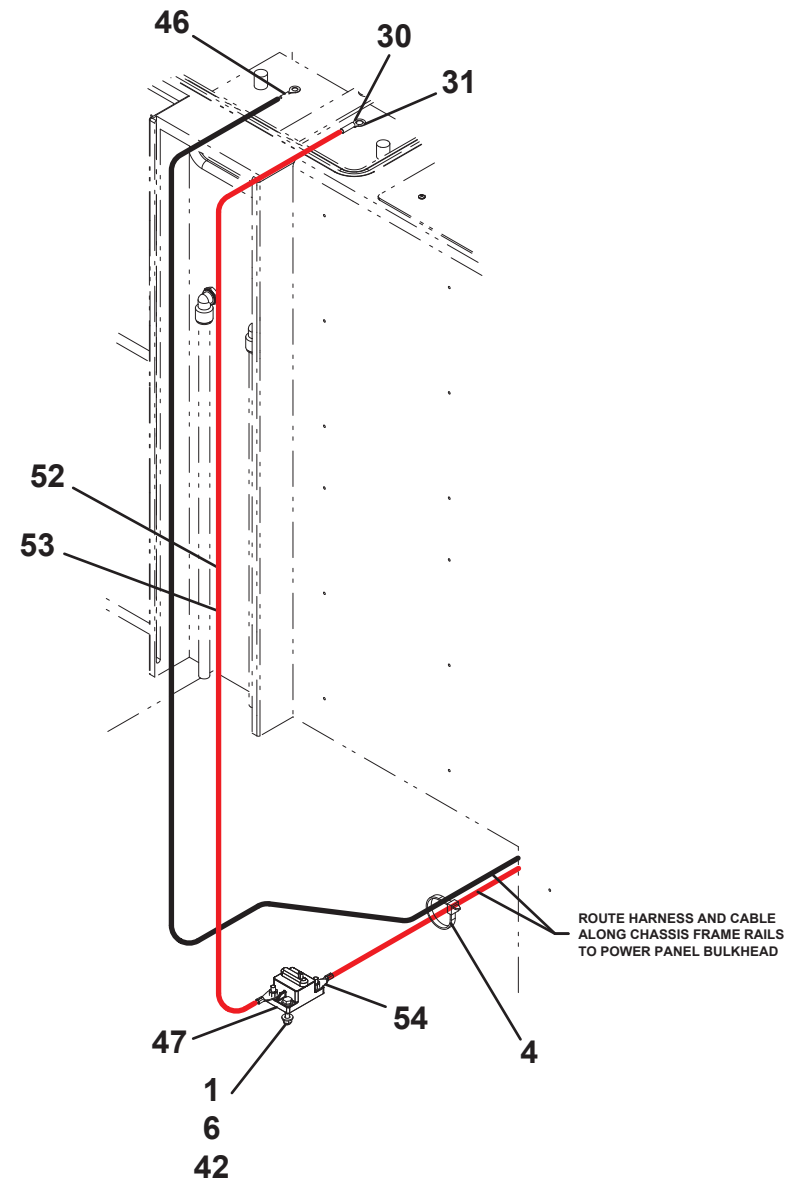
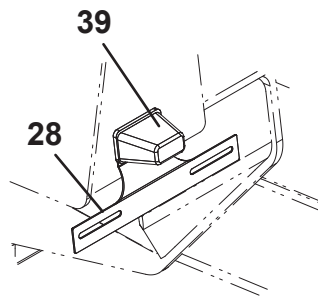
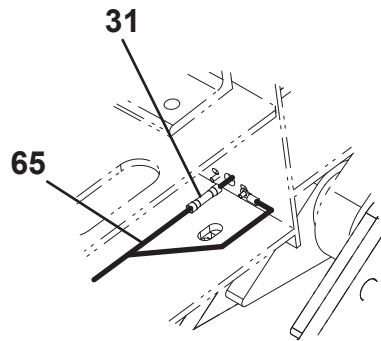
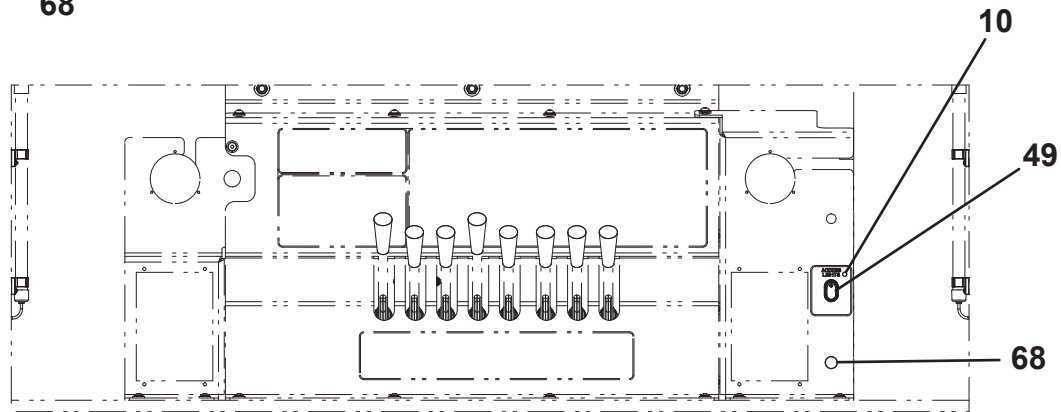
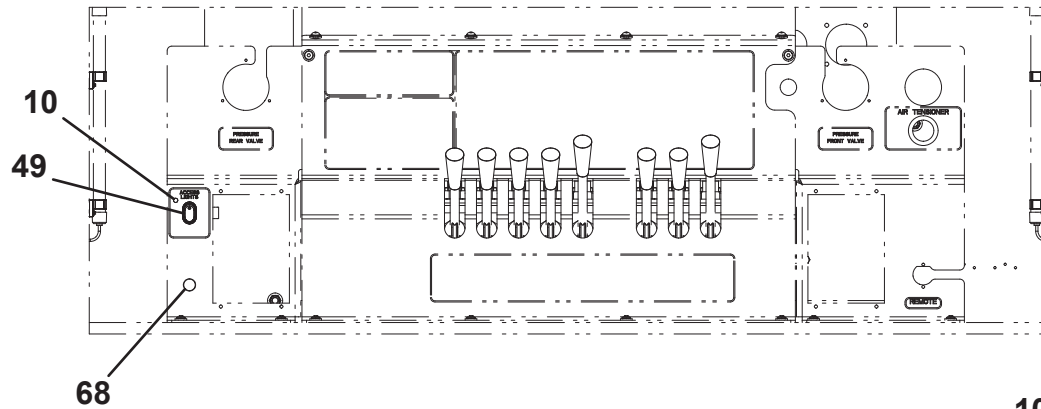
THIS PAGE INTENTIONALLY LEFT BLANK

ELECTRICAL INSTALLATION - TRI-AXLE

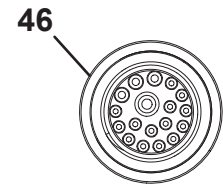
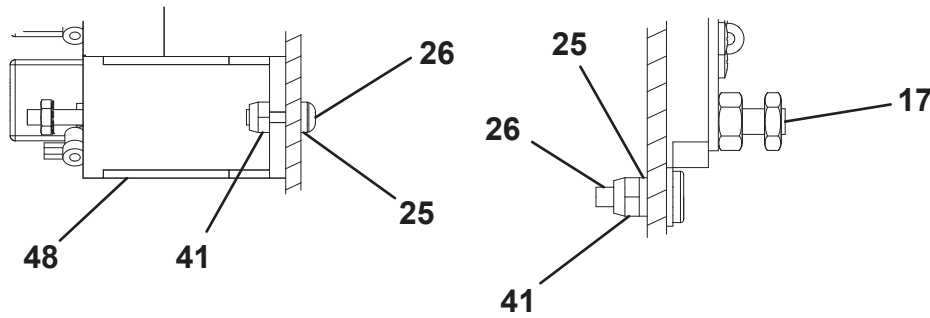
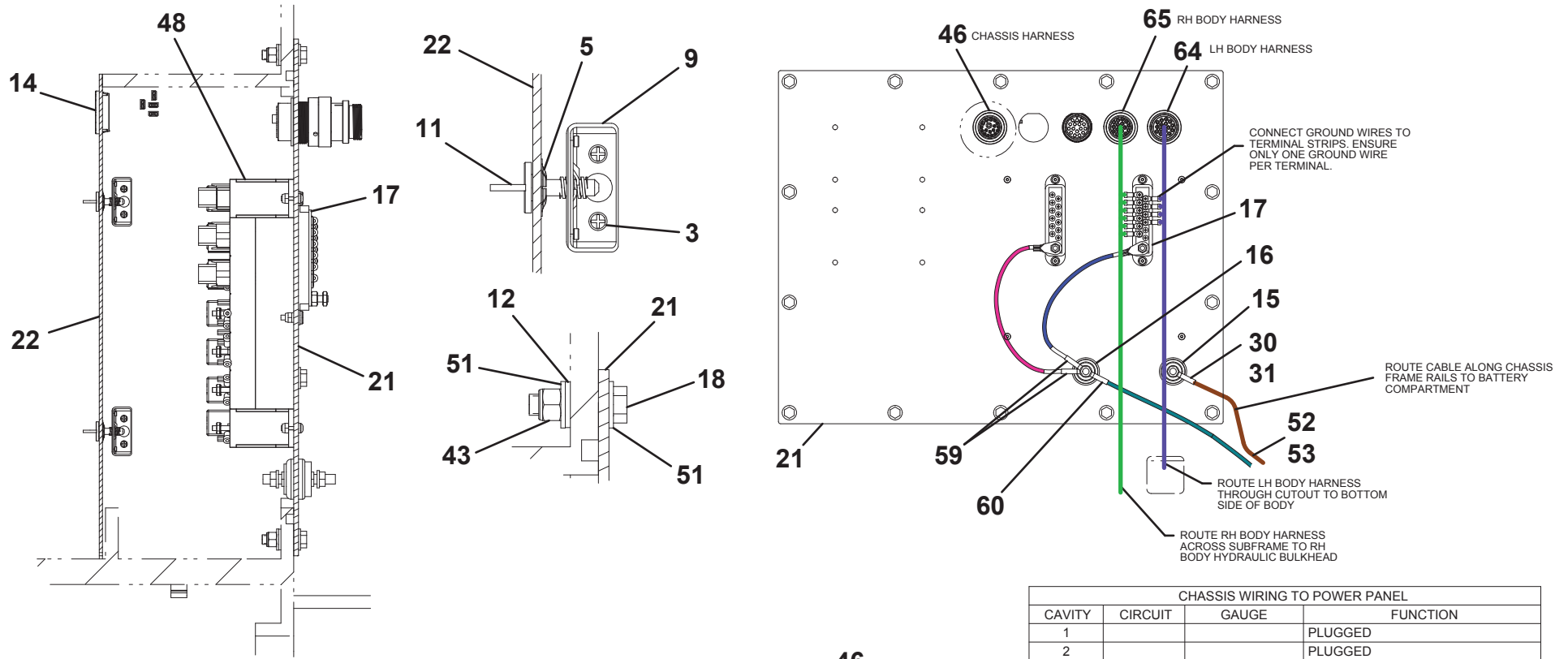
ITEM	PART NO.	DESCRIPTION	QTY	REV	ITEM	PART NO.	DESCRIPTION	QTY	REV
	1001216179	Electrical Installation - Tri-Axle	Ref	C	39	7590000105	Light, License Plate	1	
1	641412	Capscrew, 0.25"-20 X 1.50"	2		40	7590000343	Light, 2.50" Dia	4	
2	641506	Capscrew, 0.31"-18 X 0.75"	1		41	7660102601	Nut, #10-24NC	8	
3	750604	Screw	8		42	7660142600	Locknut, 0.25"-20NC	2	
4	5526000553	Tie Strap	25		43	7660162601	Locknut, 0.38"-16NC	14	
5	3760308	Retainer	4		44	7661000023	Locknut, #10-32NF	18	
6	4711400	Washer, 0.25" ID	4		45	7740000001	Relay	12	
7	4751500	Washer, 0.31" ID	1		46	1001189287	Harness	1	
8	4761500	Washer, 0.31" ID	1		47	7870000043	Breaker Switch	1	
9	1001122235	Bracket	4		48	7870000123	Power Distribution Panel	1	
10	1001167452	Decal	2		49	7870000143	Switch,	2	
11	1001166930	Latch	4		50	7949000053	Washer	1	
12	1001166974	Washer, 0.38" ID	14		51	7950160143	Flatwasher, 0.38" ID	28	
13	1001189295	Harness	1		52	7978000011	Cable Jacket	25FT	
14	1001167607	Plug	2		53	8597650001	Loom	25FT	
15	1001168320	Terminal	1		54	1001125479	Terminal	2	
16	1001168321	Terminal	1		55	1001189284	Harness	1	
17	1001168322	Terminal	2		56	1001162928	Harness	1	
18	1001168993	Capscrew, 0.38"-16 X 1.50"	14		57	1001168323	Cable	1	
19	1001174680	Lamp	2		58	1001168325	Cable	1	
20	1001174681	Lamp	4		59	1001168326	Cable	2	
21	1001191552	Panel	1		60	1001168328	Cable	1	
22	1001191602	Panel	1		61	1001189043	Harness	2	
23	1001195257	Screw, 0.25" X 0.50"	73		62	1001189044	Harness	2	
24	1001196552	Screw, #8 X 0.75"	24		63	1001188949	Harness	2	
25	1001197483	Washer	8		64	1001189041	Harness	1	
26	7114100618	Screw, #10-24 X 0.75"	8		65	1001189042	Harness	1	
27	7120000035	Capscrew, 0.31"-18NC X 0.50"	1		66	1001201384	Socket	1	
28	7178000025	License Plate Bracket	1		67	1001144012	Harness	2	
29	7280000006	Clip	73		68	7701000067	Plug	2	
30	7345242202	Terminal	2						
31	7346000045	Tubing	0.25						
32	7457000006	Fuse	2						
33	7457000011	Fuse	3						
34	7457000012	Fuse	2						
35	7457000019	Fuse	10						
36	7457000023	Fuse	3						
37	1001220431	Grommet	4						
38	7493000026	Grommet	6						

ELECTRICAL INSTALLATION - TRI-AXLE



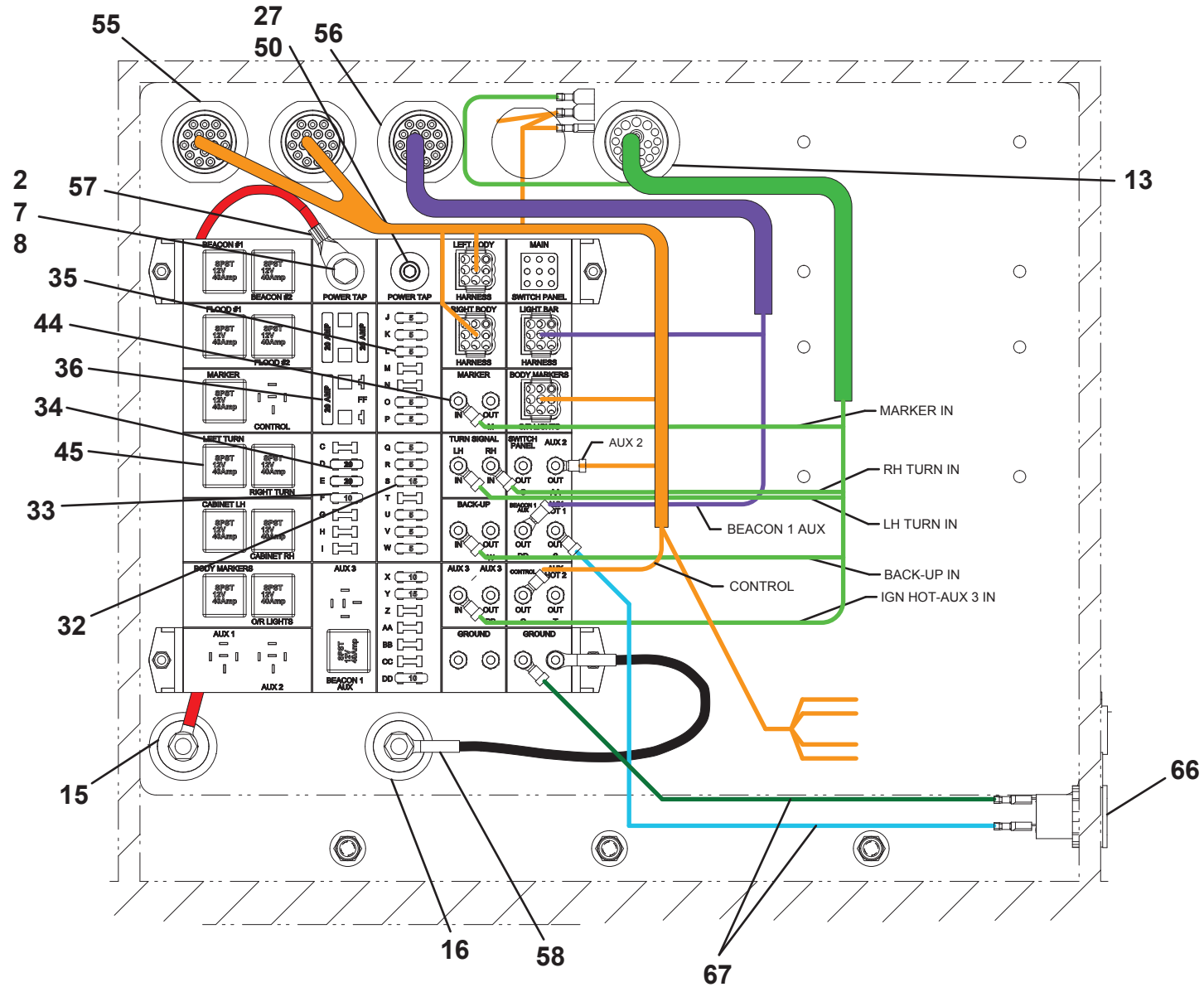
ELECTRICAL INSTALLATION - TRI-AXLE

ELECTRICAL INSTALLATION - TRI-AXLE



CHASSIS WIRING TO POWER PANEL			
CAVITY	CIRCUIT	GAUGE	FUNCTION
1			PLUGGED
2			PLUGGED
3			PLUGGED
4			PLUGGED
5			PLUGGED
6	22A	10	FLASHER POWER FROM BATT
7			PLUGGED
8			PLUGGED
9	11	FROM CHASSIS	IGN HOT
10	12	FROM CHASSIS	RH S/T
11	13	FROM CHASSIS	LH S/T
12	14	FROM CHASSIS	MARKER
13	15	FROM CHASSIS	BACK-UP
14			PLUGGED
15			PLUGGED
16			PLUGGED
17			PLUGGED
18			PLUGGED

ELECTRICAL INSTALLATION - TRI-AXLE

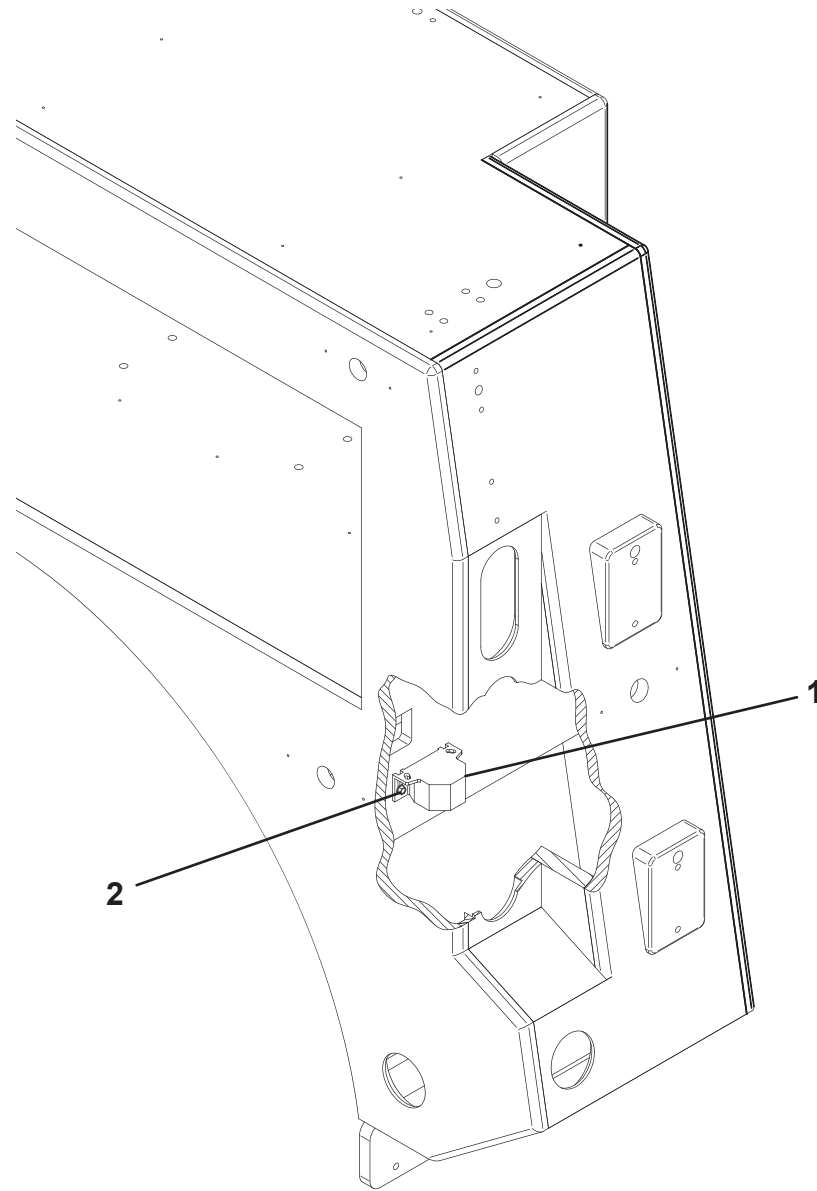


THIS PAGE INTENTIONALLY LEFT BLANK

BACKUP ALARM INSTALLATION

ITEM	PART NO.	DESCRIPTION	QTY	REV
	1001213538	Backup Alarm Installation	Ref	A
1	7011000006	Alarm, Backup	1	
	1001175061	Alarm, Backup Variable	1	
2	7790141251	Screw, 0.25" x 0.75"	2	

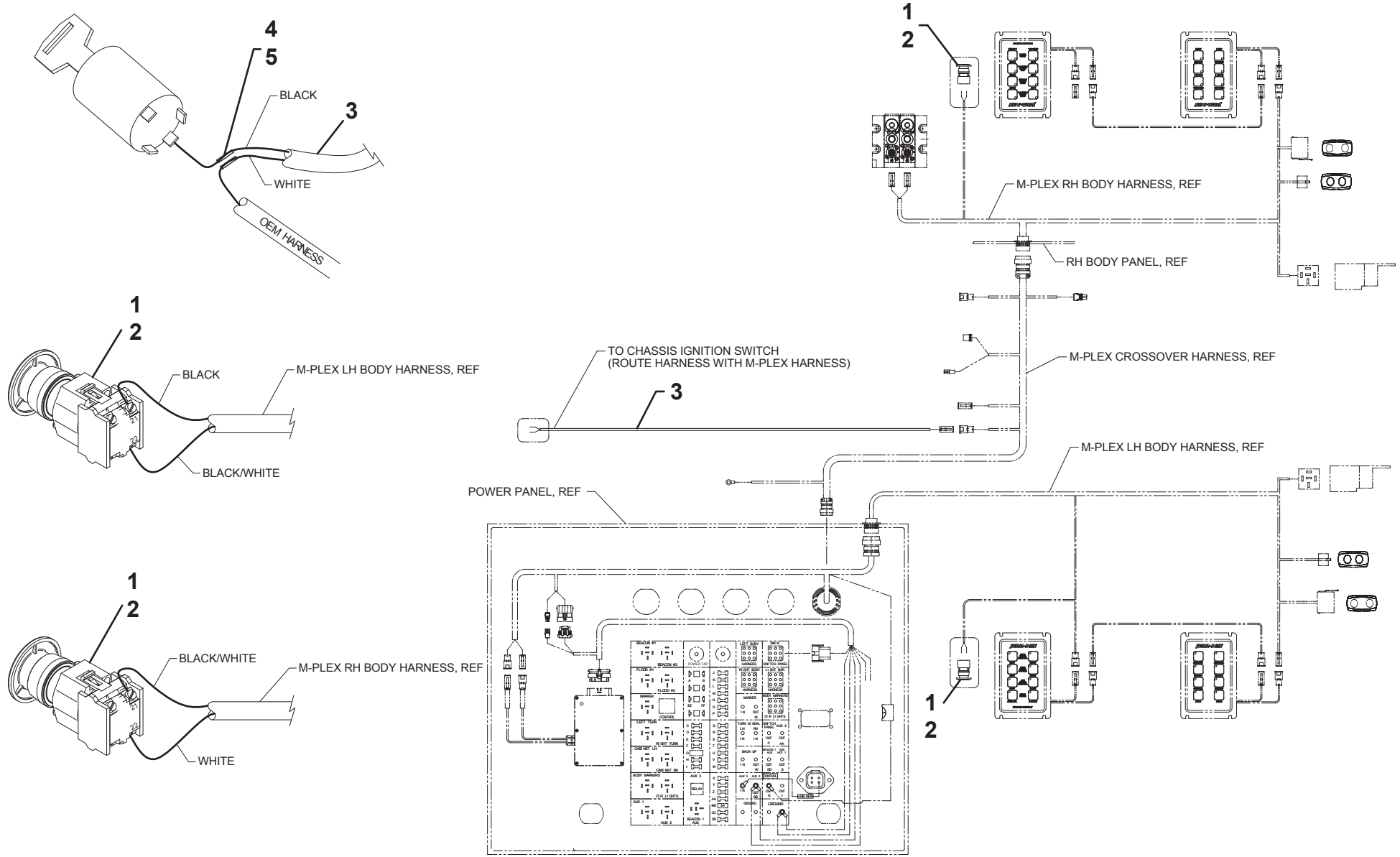
BACKUP ALARM INSTALLATION



E-STOP INSTALLATION

ITEM	PART NO.	DESCRIPTION	QTY	REV
	1001212210	E-Stop Installation	Ref	D
1	7870000128	Switch	2	
2	7870000129	Switch	2	
3	1001171394	Harness	1	
4	7345001714	Terminal	2	
5	7346000039	Tubing	1	

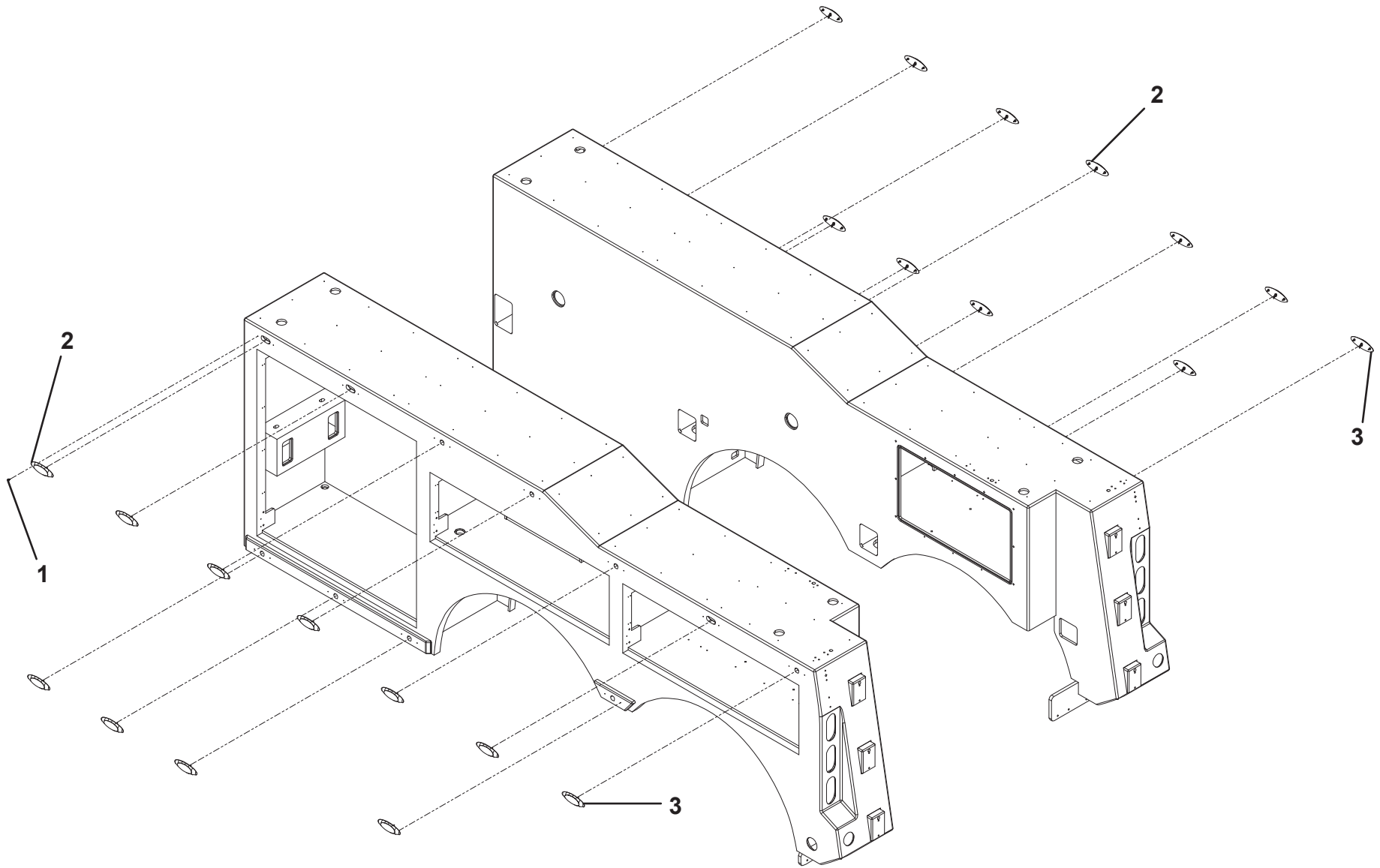
E-STOP INSTALLATION



MARKER LIGHT INSTALLATION - TANDEM

ITEM	PART NO.	DESCRIPTION	QTY	REV
	1001196592	Marker Light Installation - Tandem	Ref	D
1	1001154101	Screw, #10 x 0.38"	44	
2	7590000262	Light, Amber	20	
3	7590000282	Light, Red	2	

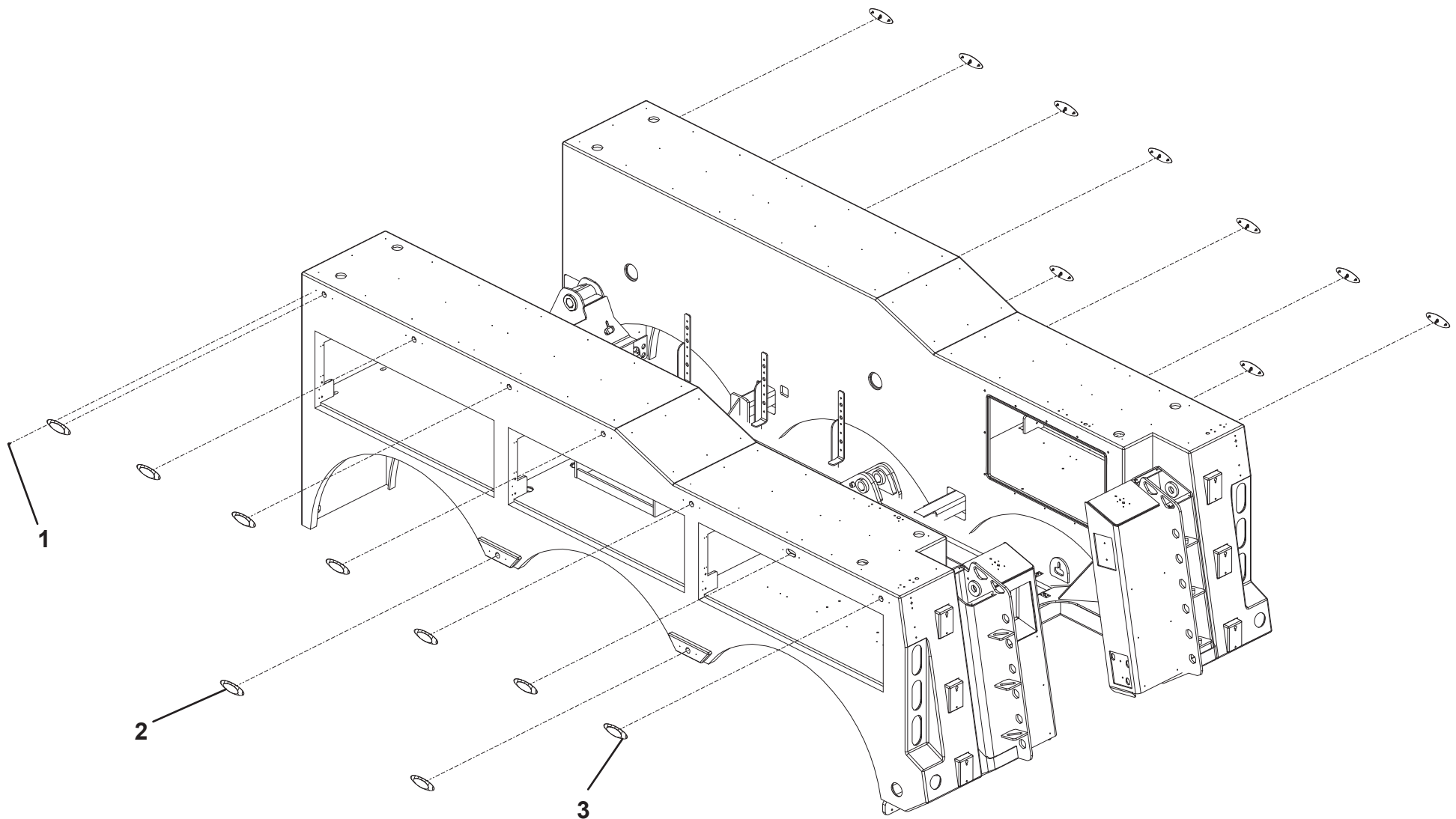
MARKER LIGHT INSTALLATION - TANDEM



MARKER LIGHT INSTALLATION - TRI-AXLE

ITEM	PART NO.	DESCRIPTION	QTY	REV
	1001196594	Marker Light Installation - Tri-Axle	Ref	D
1	1001154101	Screw, #10 x 0.38"	36	
2	7590000262	Light, Amber	16	
3	7590000282	Light, Red	2	

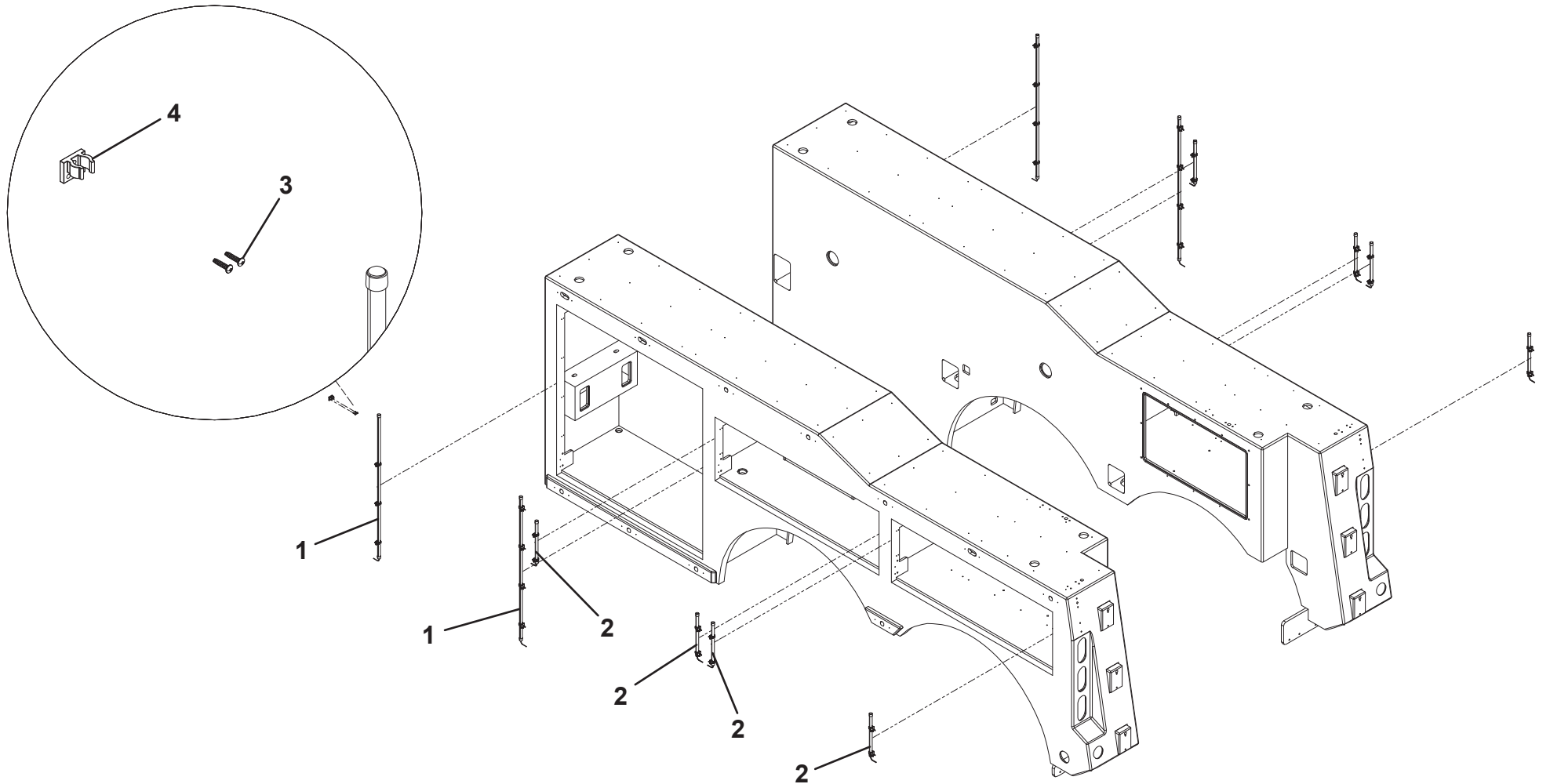
MARKER LIGHT INSTALLATION - TRI-AXLE



COMPARTMENT LIGHT INSTALLATION - TANDEM

ITEM	PART NO.	DESCRIPTION	QTY	REV
	1001196522	Compartment Light Installation - Tandem	Ref	B
1	1001154527	Lamp, 40"	4	
2	1001166549	Lamp, 12"	8	
3	1001196552	Screw, #8 x 0.75"	64	
4	1001199081	Mount	32	

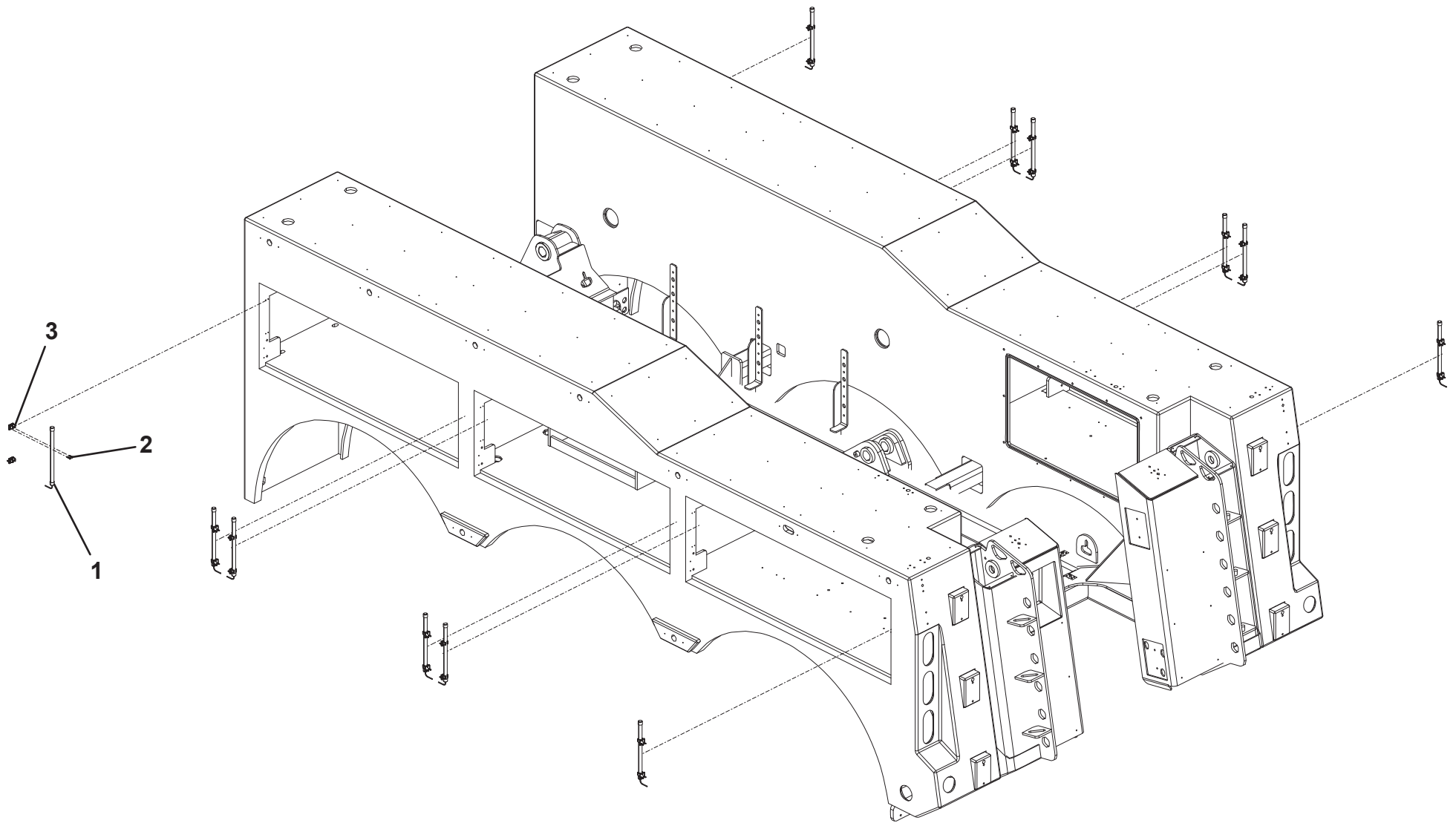
COMPARTMENT LIGHT INSTALLATION - TANDEM



COMPARTMENT LIGHT INSTALLATION - TRI-AXLE

ITEM	PART NO.	DESCRIPTION	QTY	REV
	1001196523	Compartment Light Installation - Tri-Axle	Ref	B
1	1001166549	Lamp, 12"	12	
2	1001196552	Screw, #8 x 0.75"	48	
3	1001199081	Mount	24	

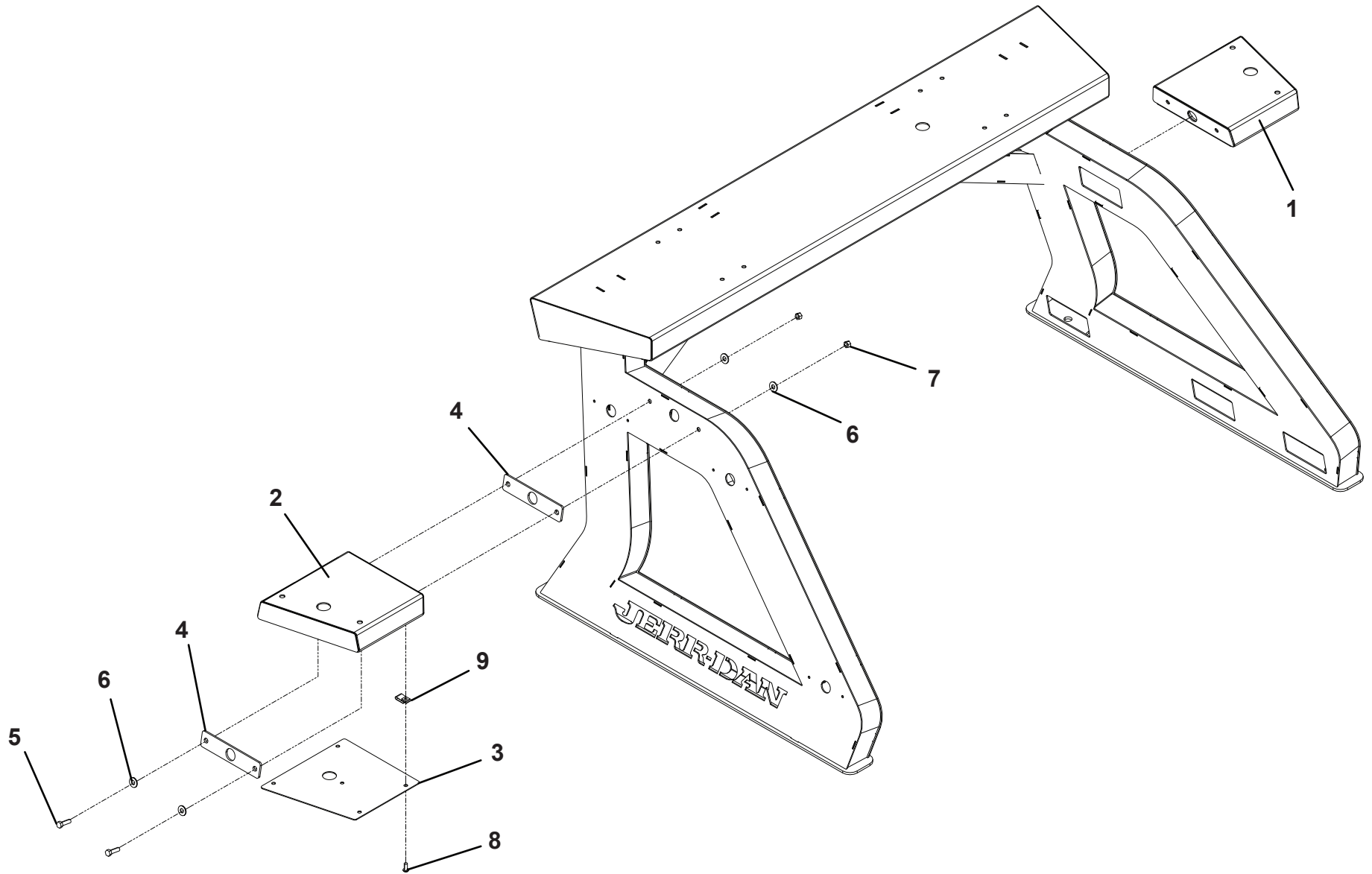
COMPARTMENT LIGHT INSTALLATION - TRI-AXLE



WING LIGHT BRACKET INSTALLATION

ITEM	PART NO.	DESCRIPTION	QTY	REV
	1001228841	Wing Light Bracket Installation	Ref	A
1	1001213104	Mount, RH	1	
2	1001213105	Mount, LH	1	
3	1001213110	Plate	2	
4	1001214129	Plate	4	
5	0641610	Capscrew, 0.38" - 16NC x 1.25"	4	
6	4751600	Washer, 0.38" ID	8	
7	3271605	Nut, 0.38" - 16NC	4	
8	7114150618	Screw, 0.31" - 18NC x 0.75"	8	
9	7661000029	Nut, 0.31" - 18NC	8	

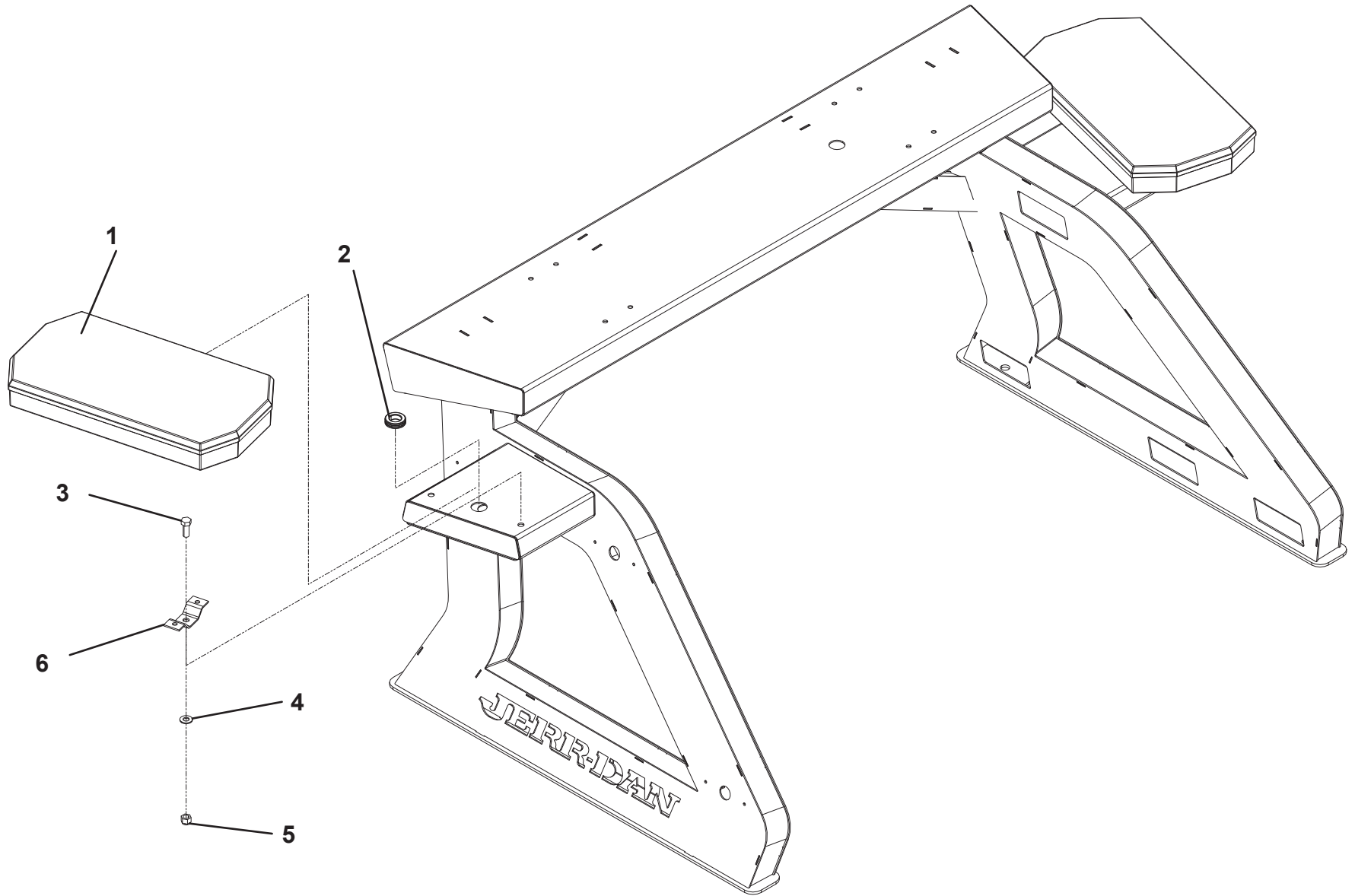
WING LIGHT BRACKET INSTALLATION



WING LIGHT INSTALLATION

ITEM	PART NO.	DESCRIPTION	QTY	REV
	1001228842	Wing Light Installation	Ref	A
1	1001133591	Light, Amber CD3 (See Separate Breakdown in this Section)	2	
	1001129861	Light, Amber Whelen	2	
2	7493000011	Grommet	2	
3	0641810	Capscrew, 0.50" - 13NC x 1.25"	4	
4	4711800	Washer, 0.50" ID	4	
5	7660182601	Locknut, 0.50" - 13NC	4	
6	4178000402	Bracket	4	

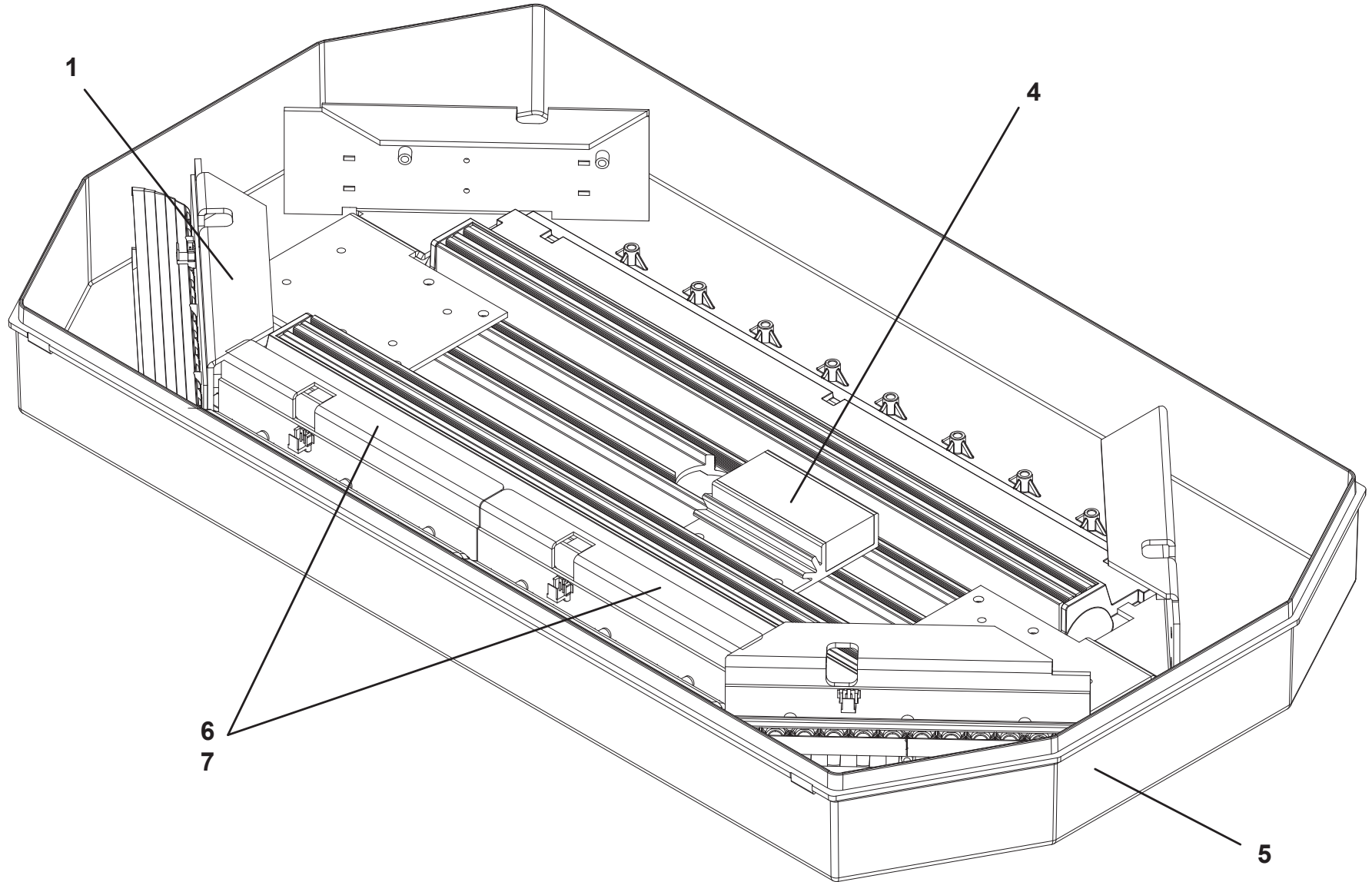
WING LIGHT INSTALLATION



PUBLIC SAFETY LIGHT BAR - 1001133591

ITEM	PART NO.	DESCRIPTION	QTY	REV
	1001133591	Public Safety Light Bar	Ref	B
1	70051014	LED Corner Module & Bracket	2	
2	70051015	Lens, Clear Upper (Not Shown)	1	
3	70051016	Cable, Jerr-Dan 2 Wire (Not Shown)	1	
4	9346310098	Flasher	1	
5	70051017	Lens, Clear Lower	1	
6	9590310201	LED Center Module	2	
7	70051018	Bracket, Mounting	1	

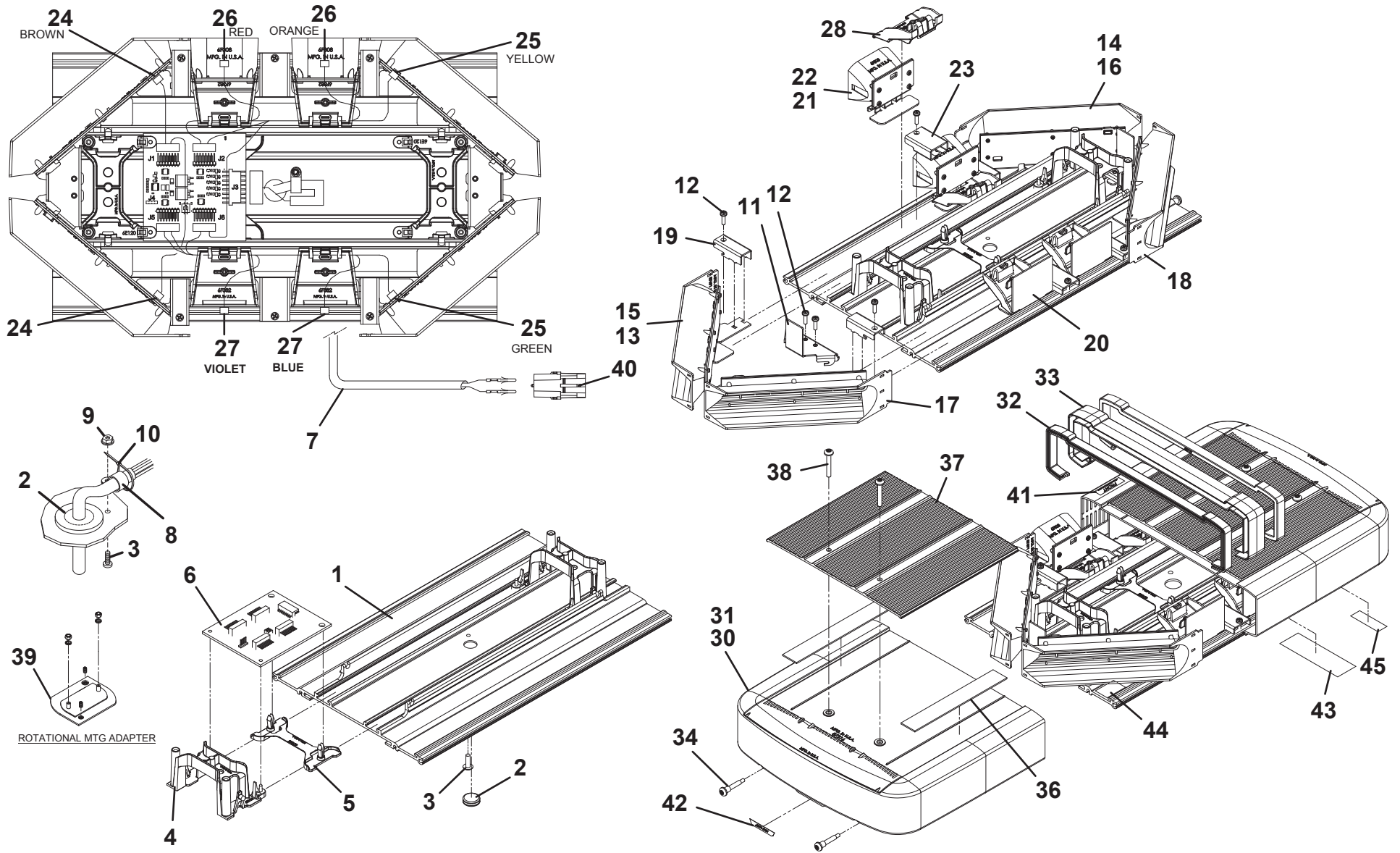
PUBLIC SAFETY LIGHT BAR - 1001133591



22" WHELEN LIGHT BAR - 1001199478

ITEM	PART NO.	DESCRIPTION	QTY	REV
	1001199478	22" Whelen Light Bar	Ref	B
1	70051019	Base	1	
2	70050169	Grommet	1	
3	70051020	Screw, 10-24NC X 0.88"	1	
4	70051021	Bracket, Bulkhead Lens Mount	2	
5	70051022	Bracket, I/O Anchor	1	
6	70051023	Assembly, I/O BD Mini	1	
7	70051024	Assembly, Cable	1	
8	70051025	Clamp, Cable	1	
9	70050174	Nut, Wiz 10-24NC	1	
10	70051026	Ty Wrap, 6" Black	AR	
11	70051027	Bracket, End Clamp	2	
12	70051028	Screw, 6-32NC X 0.50"	10	
13	70051029	Assy, Corner L-Front/R-Rear Amber	1	
14	70051030	Assy, Corner L-Rear/R-Front Amber	1	
15	70051031	Assy, Corner L-Front/R-Rear Blue	1	
16	70051032	Assy, Corner L-Rear/R-Front Blue	1	
17	70051033	Assembly, Blank Rear Drvr Corner	1	
18	70051034	Assembly, Blank Rear Pass Corner	1	
19	70051035	Bracket, Corner Clamp	4	
20	70051036	Bracket, Half Filler	2	
21	70051037	Sub Assy, Short Directional Amber	2	
22	70051038	Sub Assy, Short Directional Blue	2	
23	70051039	Bracket, Filler	2	
24	70051040	Assembly, Harness	1	
25	70051041	Assembly, Harness	1	
26	70051042	Assembly, Harness	1	
27	70051043	Assembly, Harness	1	
28	70051044	Bracket, Snap-In	4	
29	70051045	Ty Wrap, 3" Black	AR	
30	70051046	Sub Assy, Cut Dome Clear	2	
31	70051047	Sub Assy, Cut Dome Blue	2	
32	70051048	Seal, Lens Divider	2	
33	70051049	Divider, Lens	1	
34	70051050	Screw, 10-24NC X 1.25"	4	
36	70051051	Tape, VHB Endcap Trim Mount	4	
37	70051052	Cover, Top Extruded 7.325"	2	

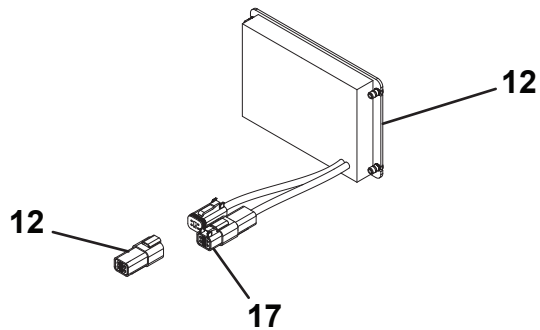
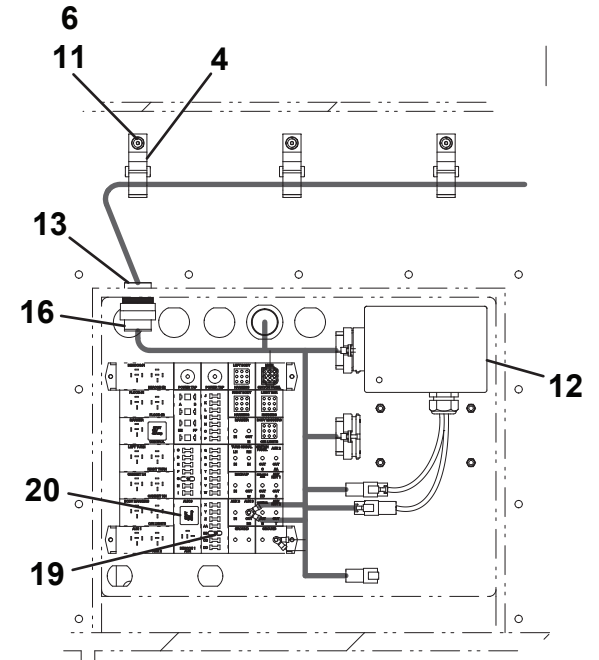
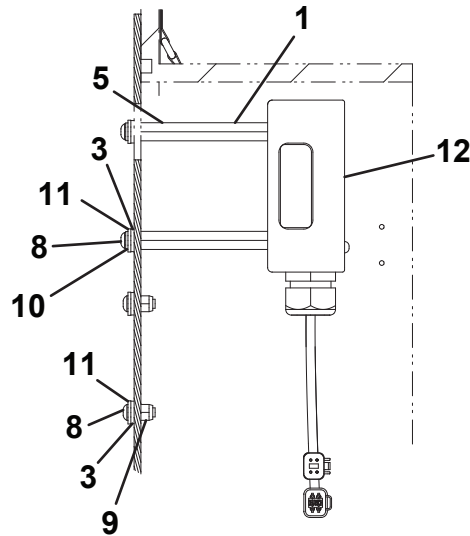
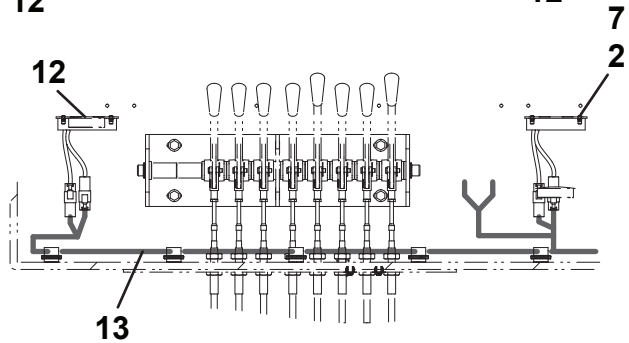
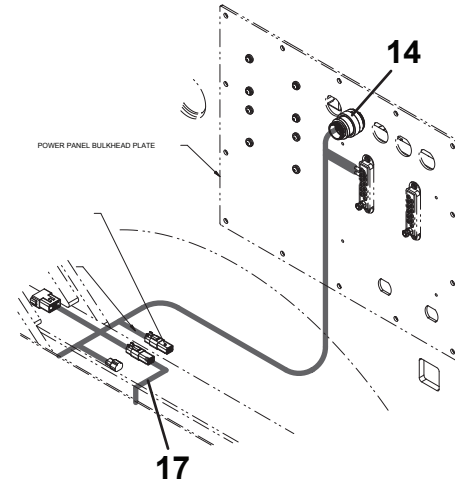
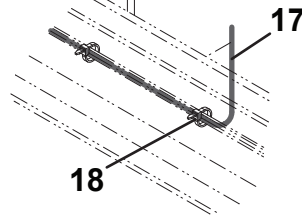
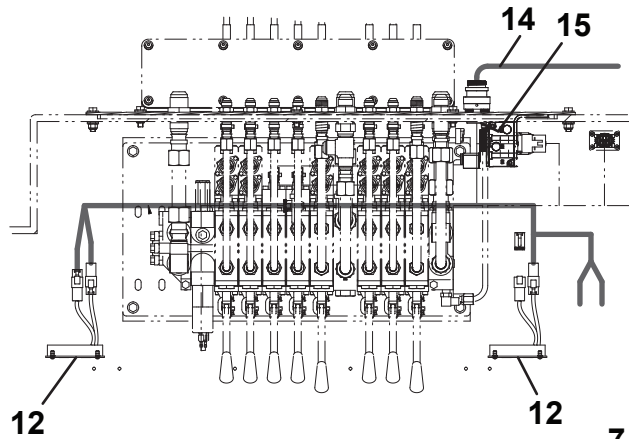
22" WHELEN LIGHT BAR - 1001199478



SWITCH PANEL INSTALLATION (PRIOR TO S/N 0230004251)

ITEM	PART NO.	DESCRIPTION	QTY	REV
	1001197968	Switch Panel Installation	Ref	B
1	100011	Loctite	A/R	
2	1001151546	Nutsert, #8-32 UNC	20	
3	1001166978	Washer, 0.25" ID	8	
4	1001167310	Cable Strap	12	
5	1001191612	Nut, 0.25"-20	4	
6	1001195257	Screw, 0.25" X 0.50"	12	
7	7114080418	Bolt, #8-32 X 0.50"	20	
8	7114140618	Bolt, 0.25"-20 X 0.75"	8	
9	7660142600	Locknut, 0.25"-20NC	4	
10	7950140003	Lockwasher, 0.25" ID	4	
11	7950140143	Flatwasher, 0.25" ID	20	
12	1001135132	Electrical M Plex	1	
13	1001189197	Harness	1	
14	1001189207	Harness	1	
15	1001189219	Harness	1	
16	1001189296	Harness	1	
17	7552000455	Harness	1	
18	7894000004	Tie Strap	15	
19	7457000006	Fuse	1	
20	7740000001	Relay	1	
21	7701000067	Plug	1	

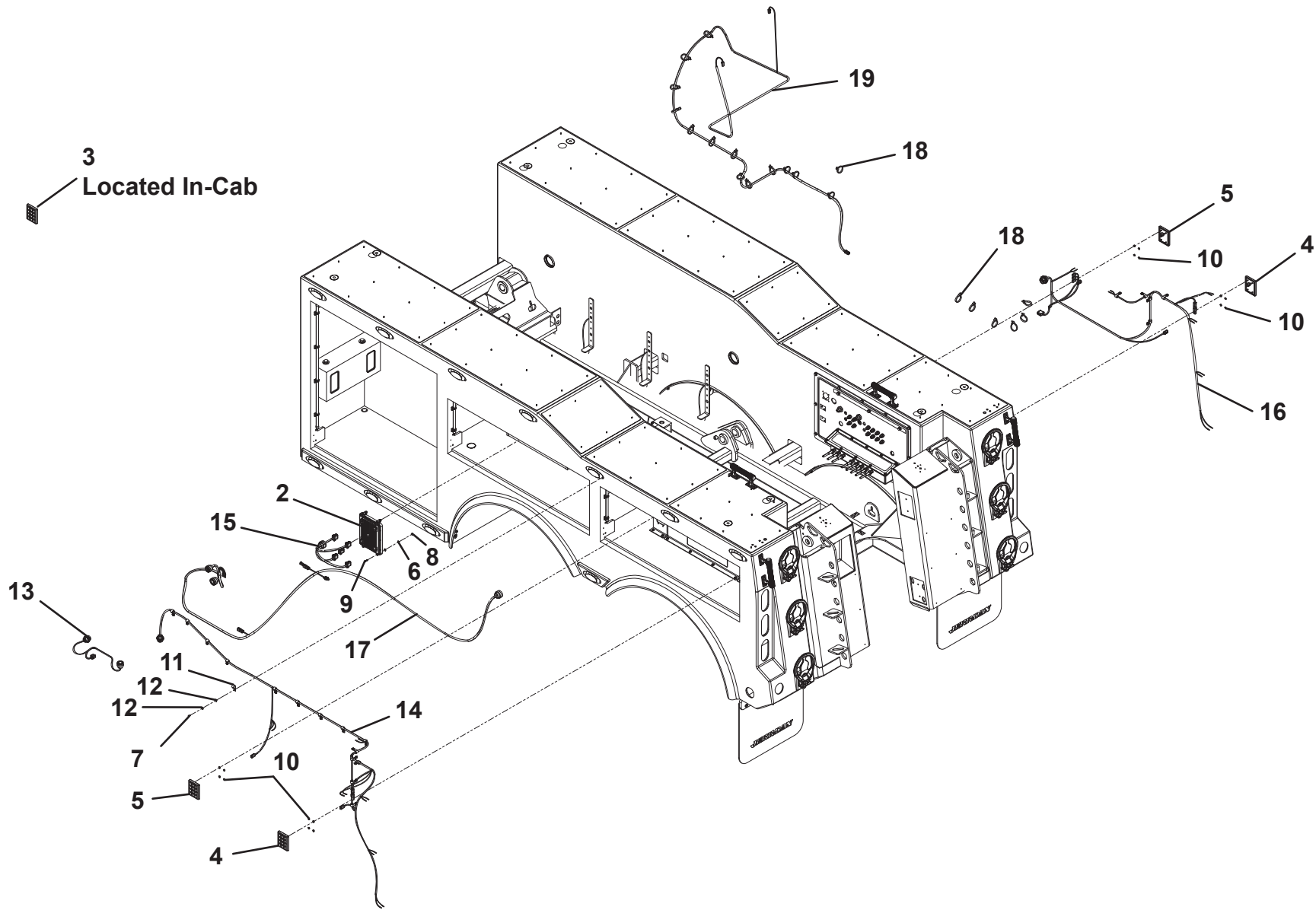
SWITCH PANEL INSTALLATION (PRIOR TO S/N 0230004251)



SWITCH PANEL INSTALLATION (S/N 0230004251 TO PRESENT)

ITEM	PART NO.	DESCRIPTION	QTY	REV
	1001216174	Switch Panel Installation	Ref	D
1	1001205244	Multiplex Kit	1	
2	1001211000*	Multiplex Module	1	
3	1001211001*	Keypad, In Cab	1	
4	1001211002*	Keypad, In Body	2	
5	1001211003*	Keypad, Winch	2	
6	1001166978	Washer, 0.25" ID	4	
7	1001195257	Screw, 0.25" x 0.50"	20	
8	7660142601	Locknut, 0.25" - 20NC	4	
9	1001209590	Screw, 0.25" x 1.00"	4	
10	1001209616	Nut, #10 - 32NC	16	
11	7280000006	Clip	20	
12	7950140143	Flatwasher, 0.25" ID	44	
13	1001208950	Harness, Left Jumper	1	
14	1001208951	Harness, Left Body	1	
15	1001208952	Harness, Multiplex to PDP	1	
16	1001215100	Harness, Right Body	1	
17	1001216916	Harness, Crossover	1	
18	5526000553	Tie Strap	35	
19	1001217309	Harness, Winch	1	
20	7346000039	Tubing	0.5ft	

SWITCH PANEL INSTALLATION (S/N 0230004251 TO PRESENT)



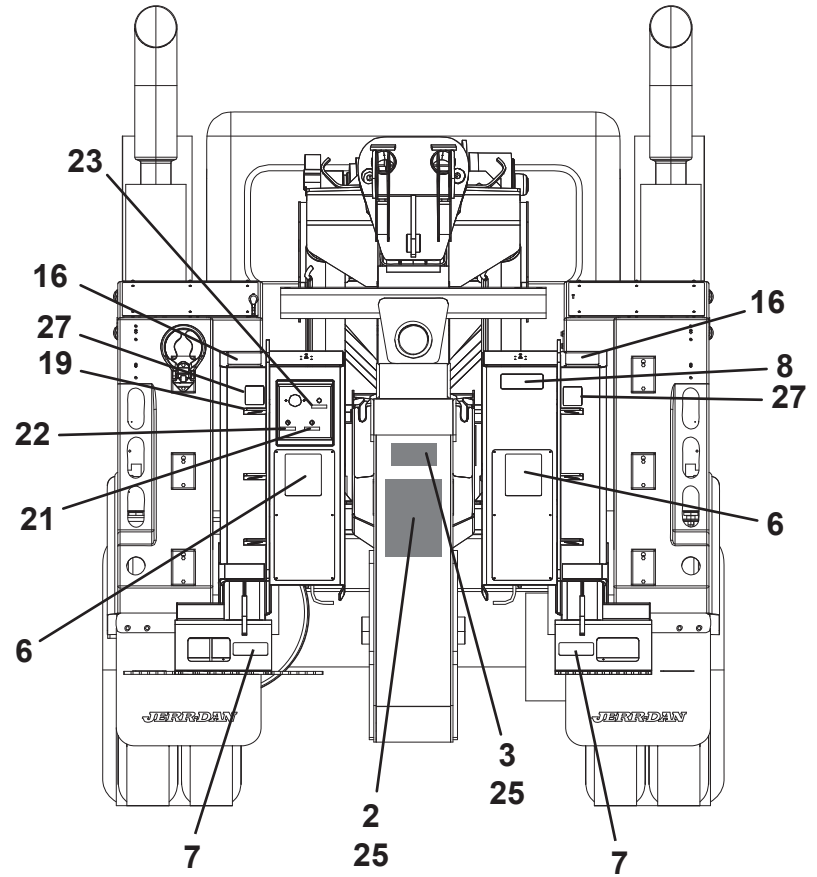
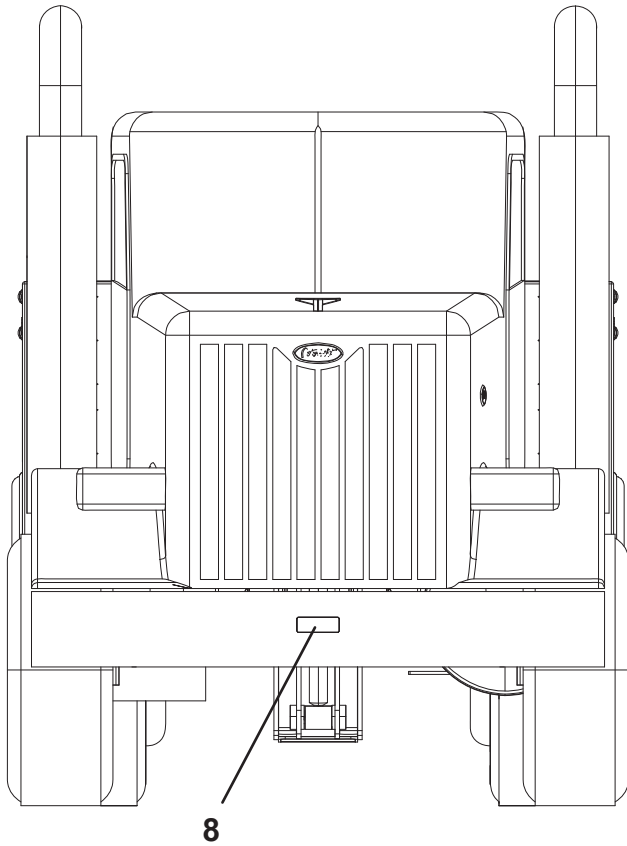
THIS PAGE INTENTIONALLY LEFT BLANK

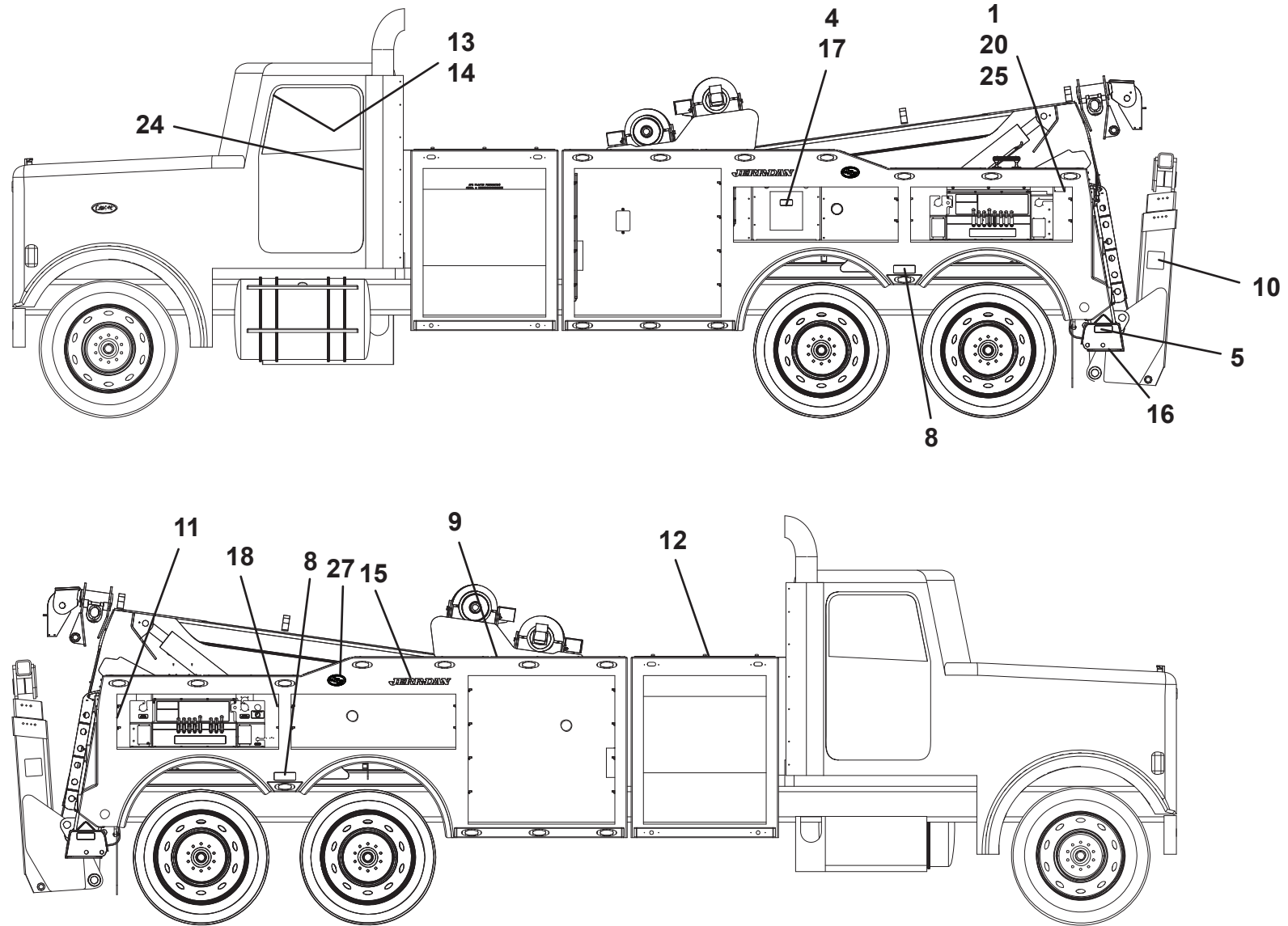
SECTION 8 - DECAL

DECAL INSTALLATION

ITEM	PART NO.	DESCRIPTION	QTY	REV
	1001198756	Decal Installation	Ref	E
1	1001127220	Decal, Tag	1	
2	1001132328	Decal, Placard	1	
3	1001132346	Patent	1	
4	1001136075	Decal, Hazardous Voltage	1	
5	1001136080	Decal, Recover Stability	2	
6	1001136091	Decal, Towed Load	2	
7	1001136094	Decal, Crushing Hazard	2	
8	1001136103	Decal, Electrocutation	4	
9	1001136119	Decal, Hydraulic Hazard	1	
10	1001137169	Decal, Pinch	2	
11	1001138537	Decal, Hook	2	
12	1001138612	Decal, Battery	1	
13	1001141227	Decal, Backing	1	
14	1001142828	Decal, Fall	1	
15	1001206367	Decal, Jerr-Dan	2	
16	1001174346	Decal, Spade Step	4	
17	1001198881	Decal, Fuse Panel	1	
18	1001198937	Decal, Lube Chart	1	
19	1001199065	Decal, Step	6	
20	7330000143	Decal, Made in the USA	1	
21	7330000208	Decal, Service Air	1	
22	7330000209	Decal, Supply Air	1	
23	7330000210	Decal, Aux. Air	1	
24	7330000689	Cert. Decal	1	
25	7759000004	Pop Rivet	14	
26	1001206364	Decal, JFB Badge	2	
27	1001142452	Decal, No Step	2	

DECAL INSTALLATION



DECAL INSTALLATION

THIS PAGE INTENTIONALLY LEFT BLANK

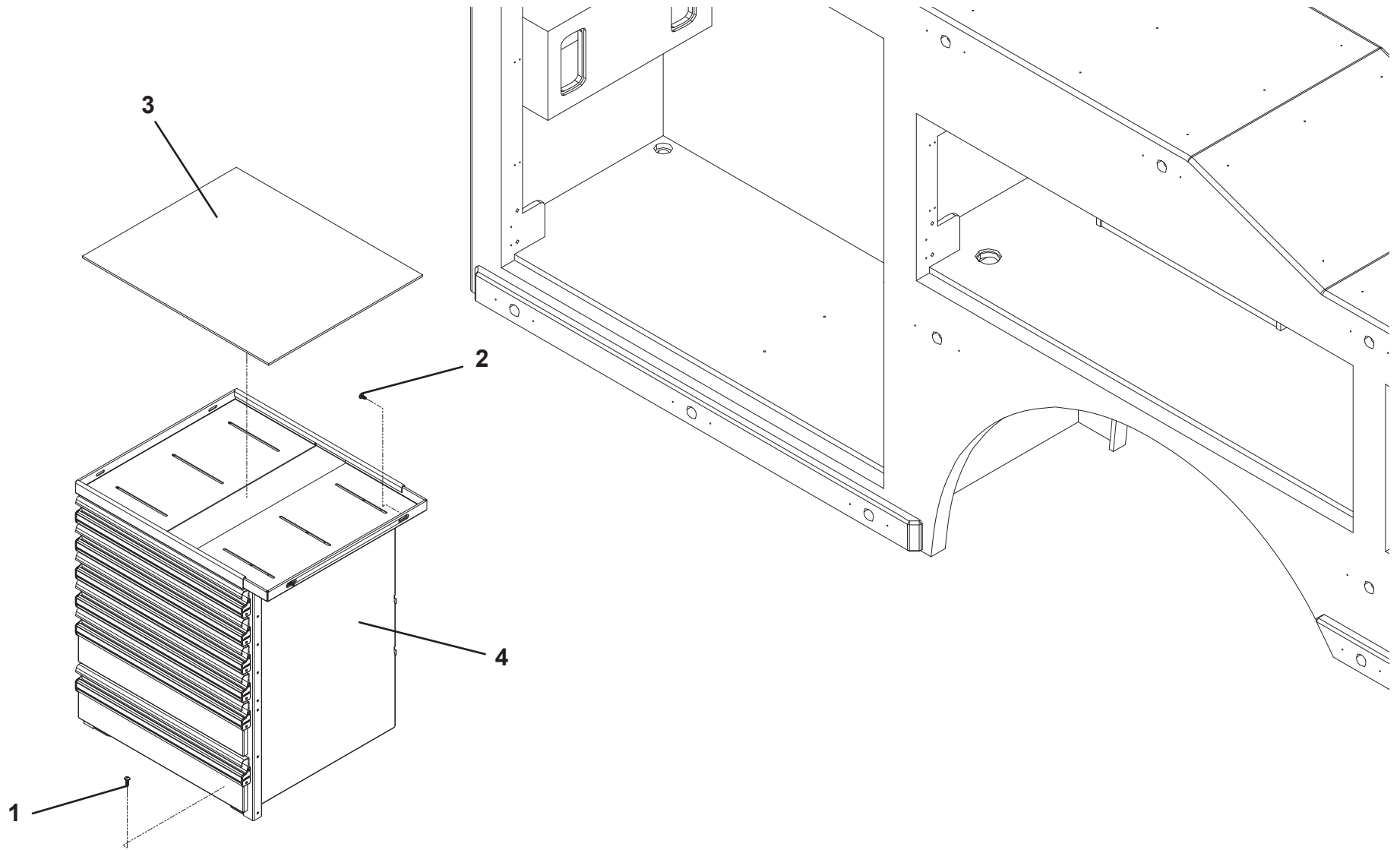
THIS PAGE INTENTIONALLY LEFT BLANK

SECTION 9 - ACCESSORIES

TOOL DRAWER INSTALLATION - TANDEM

ITEM	PART NO.	DESCRIPTION	QTY	REV
	1001195256	Tool Drawer Installation - Tandem	Ref	A
1	1001194676	Screw, 0.25" x 0.75"	6	
2	1001195257	Screw, 0.25" x 0.50"	8	
3	1001195279	Pad	1	
4	1001190410	ToolBox	1	

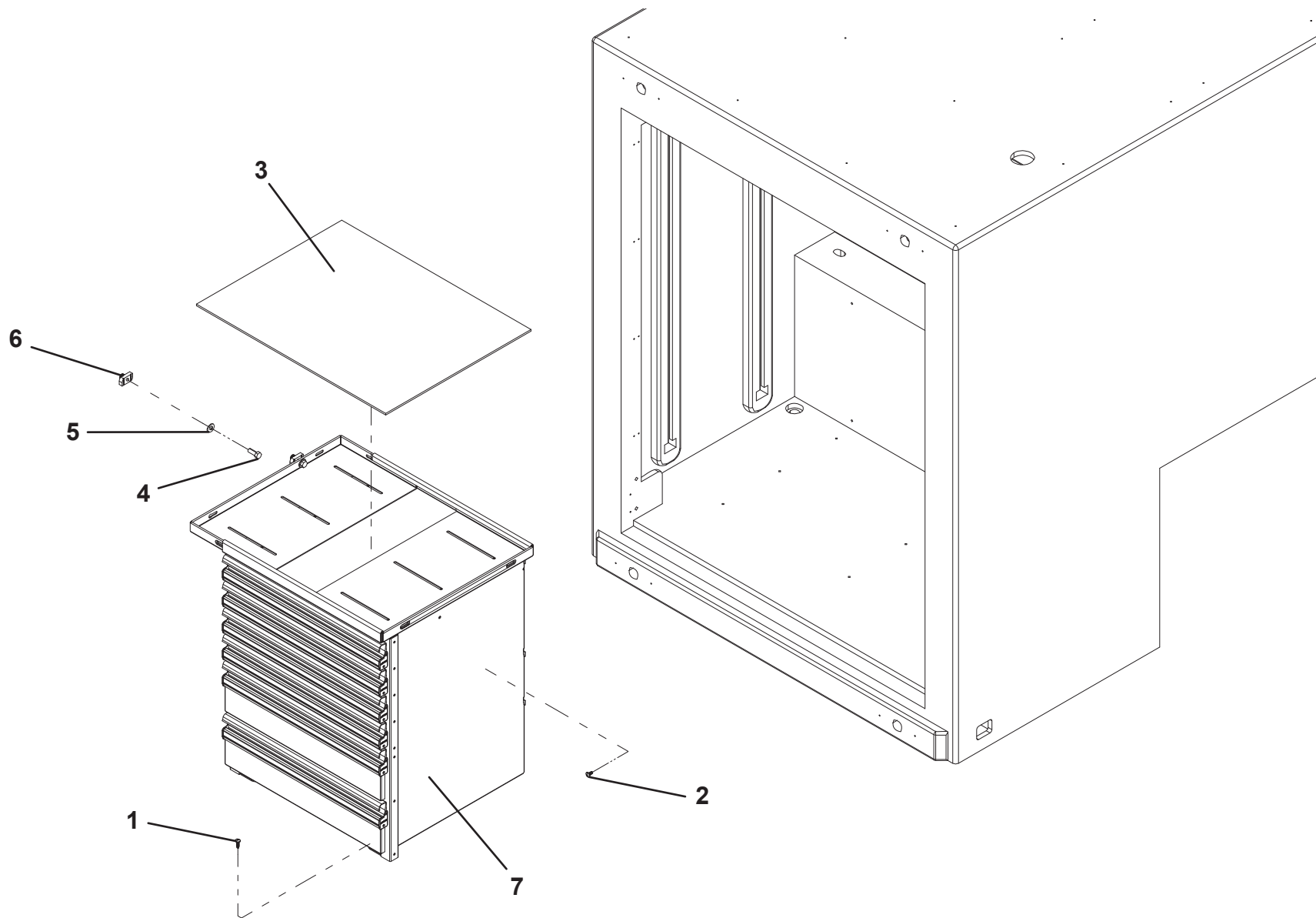
TOOL DRAWER INSTALLATION - TANDEM



TOOL DRAWER INSTALLATION - TRI-AXLE

ITEM	PART NO.	DESCRIPTION	QTY	REV
	1001195337	Tool Drawer Installation - Tri-Axle	Ref	B
1	1001194676	Screw, 0.25" x 0.75"	6	
2	1001195257	Screw, 0.25" x 0.50"	4	
3	1001195341	Pad	1	
4	7114160850	Bolt, 0.38"-16 x 1.00"	2	
5	7950160143	Flatwasher, 0.38" ID	2	
6	1001166644	Nut, 0.38"-16	2	
7	1001190410	ToolBox	1	

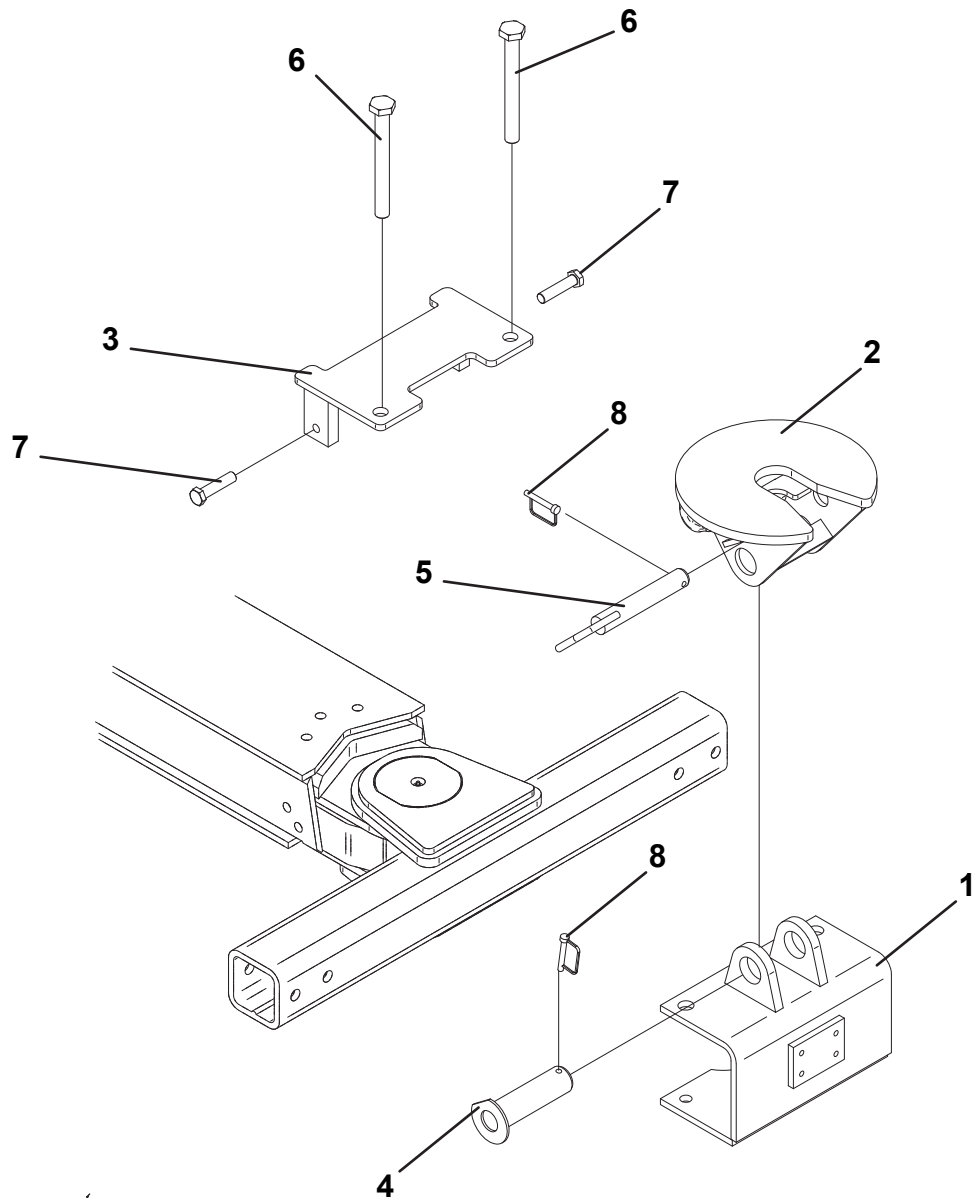
TOOL DRAWER INSTALLATION - TRI-AXLE



UNDERLIFT TOOLS - 5TH WHEEL INSTALLATION

ITEM	PART NO.	DESCRIPTION	QTY	REV
	2503880033	Underlift Tools - 5th Wheel Installation	Ref	C
1	3178000240	Bracket	1	
2	3178000499	Bracket	1	
3	3706000080	Plate	1	
4	3691000144	Pin	1	
5	3691000144	Pin	1	
6	7118267250	Capscrew, 1.00" - 8UNC x 9.00"	2	
7	7120000036	Capscrew, 0.75" - 10UNC x 3.25"	2	
8	7691000025	Pin	2	

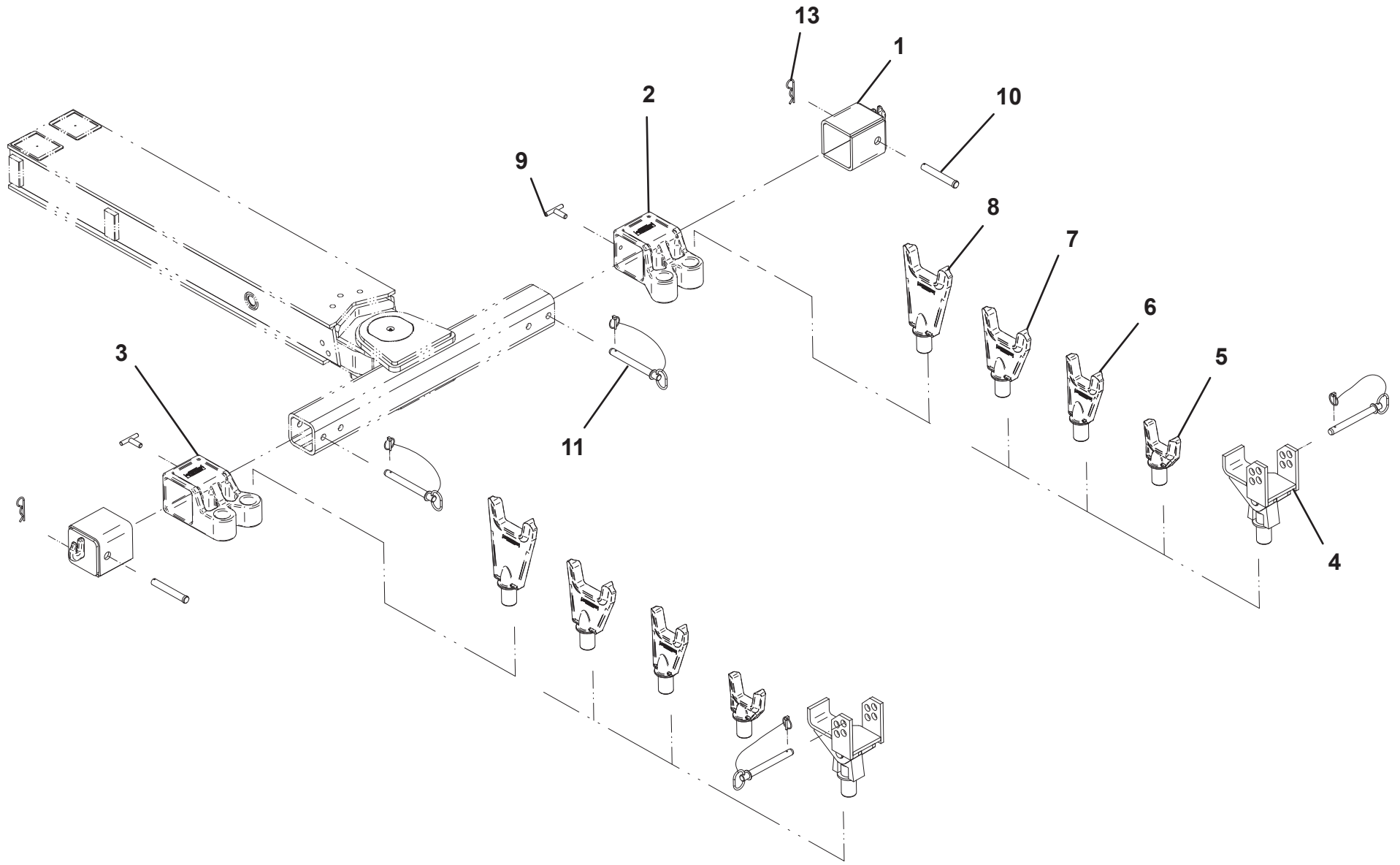
UNDERLIFT TOOLS - 5TH WHEEL INSTALLATION



UNDERLIFT TOOLS - FRAME FORKS

ITEM	PART NO.	DESCRIPTION	QTY	REV
	2503870011	Underlift Tools - Frame Forks	Ref	G
1	3007000004	Chain Hook Adapter	2	
2	7007000056	Frame Fork Adapter, RH	1	
3	7007000055	Frame Fork Adapter, LH	1	
4	3178000226	Spring Lift Bracket	2	
5	7454000006	Fork, 3.00" Short	2	
6	7454000005	Fork, 3.00" Medium	2	
7	7454000003	Fork, 4.50" Medium	2	
8	7454000004	Fork, 4.50" Long	2	
9	3551000036	T-Handle	2	
10	7691000022	Pin	2	
11	7691000021	Pin	2	
12	1001159568	Strap (Not Shown)	1	
13	1001198300	Pin	2	

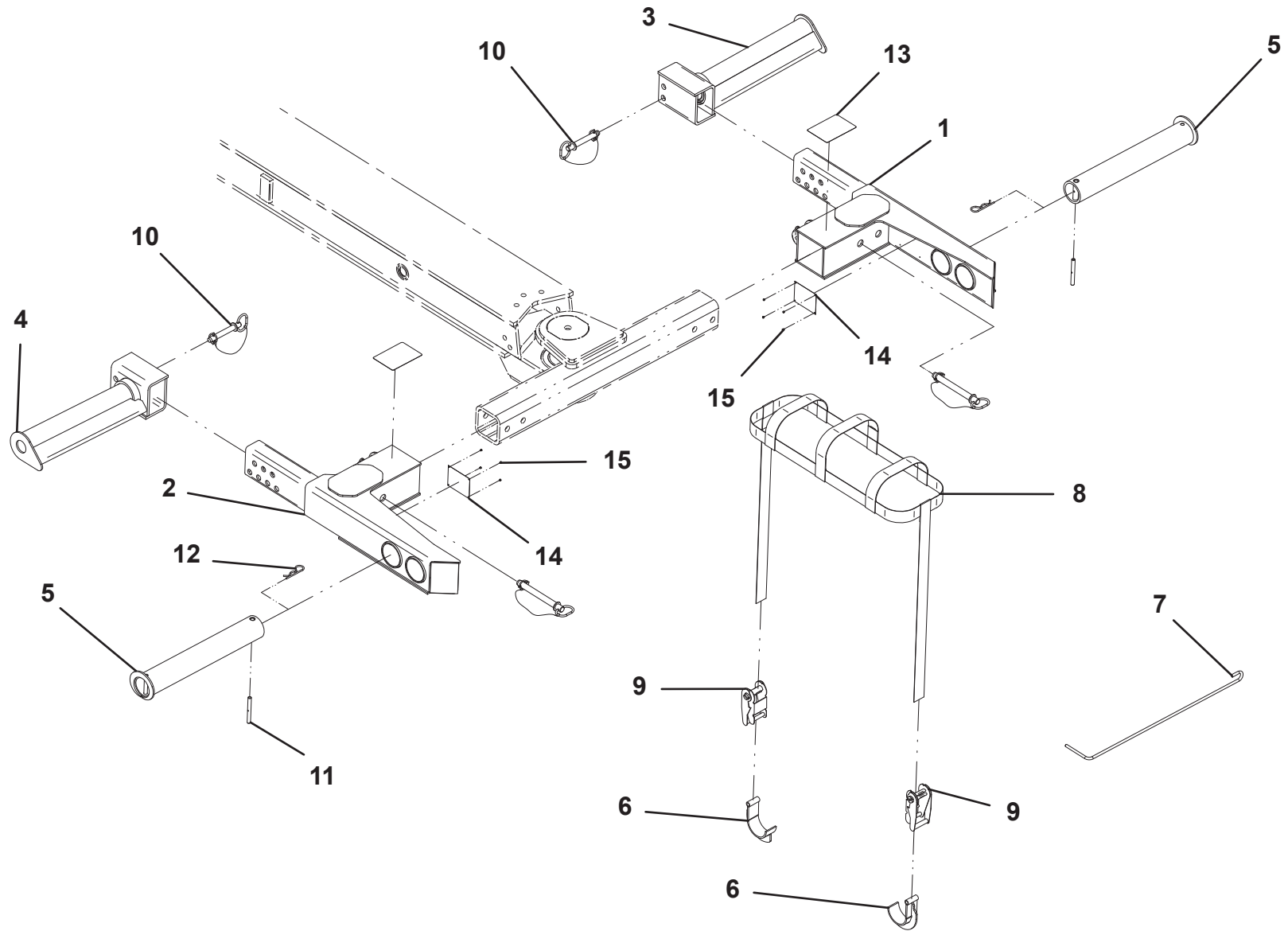
UNDERLIFT TOOLS - FRAME FORKS



UNDERLIFT TOOLS - 14,000 LB TIRE LIFT

ITEM	PART NO.	DESCRIPTION	QTY	REV
	2503880088	Underlift Tools - 14,000 Lb Tire Lift	Ref	C
1	3484000048	Tire Lift Grid - RH	1	
2	3484000049	Tire Lift Grid - LH	1	
3	3020000120	Tire Lift Arm Weldment - RH	1	
4	3020000119	Tire Lift Arm Weldment - LH	1	
5	3912000038	Tire Lift Tube Weldment	2	
6	3561000008	Hook	4	
7	4561000012	Pull Hook	1	
8	7894000037	Strap	2	
9	7894000028	Ratchet Strap	4	
10	7691000026	Hitch Pin	2	
11	4691000274	Pin	4	
12	7691000020	Hairpin	4	
13	7330000278	Decal, Caution	2	
14	1001132268	Decal, Rating	2	
15	7759000004	Pop Rivet	8	

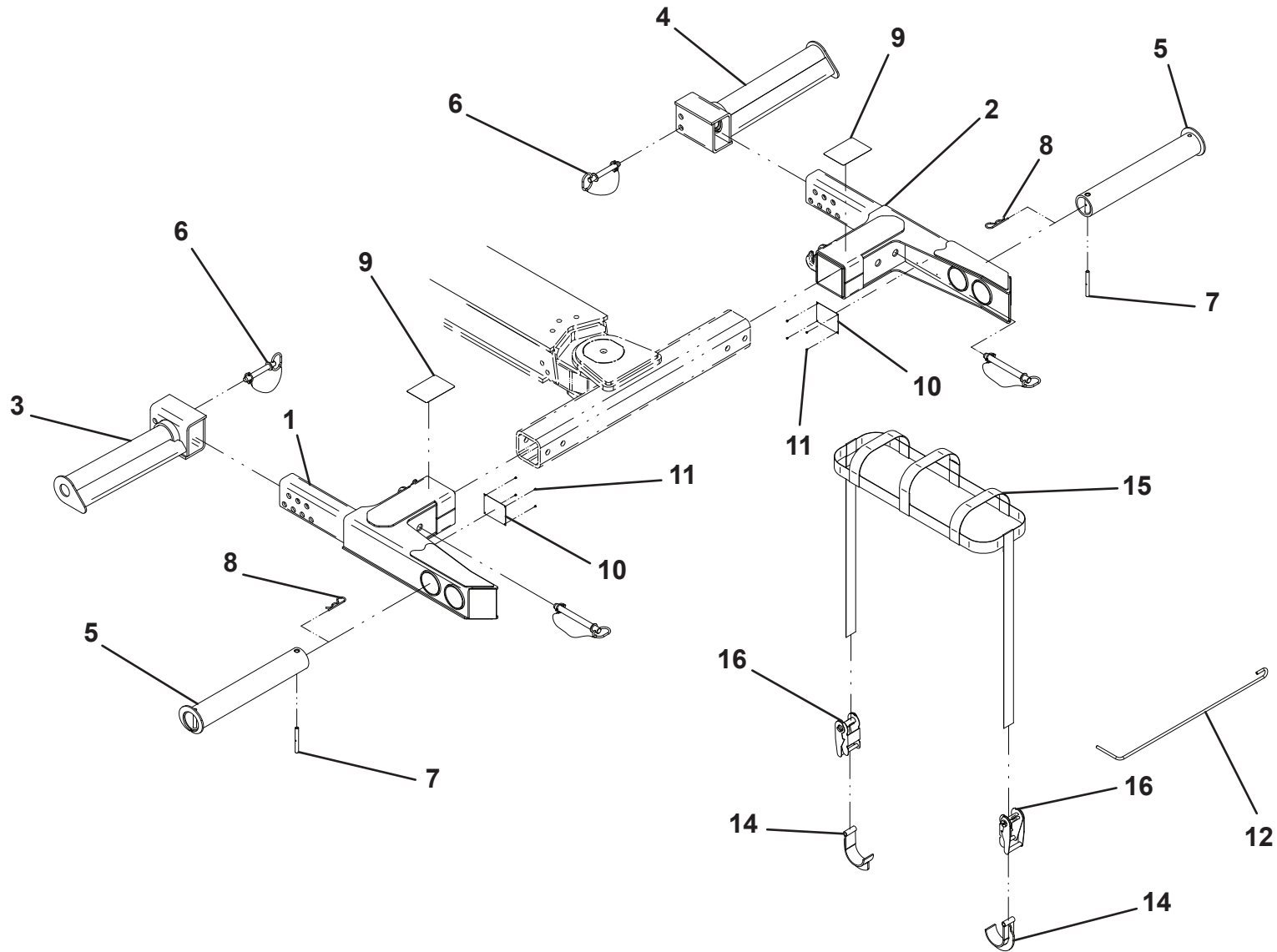
UNDERLIFT TOOLS - 14,000 LB TIRE LIFT



UNDERLIFT TOOLS - 25,000 LB TIRE LIFT

ITEM	PART NO.	DESCRIPTION	QTY	REV
	2502880300	Underlift Tools - 25,000 Lb Tire Lift	Ref	C
1	3484000072	Tire Lift Grid - LH	1	
2	3484000073	Tire Lift Grid - RH	1	
3	3020000119	Tire Lift Arm Weldment - LH	1	
4	3020000120	Tire Lift Arm Weldment - RH	1	
5	3912000033	Tire Lift Tube Weldment	2	
6	7691000026	Hitch Pin	2	
7	4691000274	Pin	4	
8	7691000020	Hairpin	4	
9	7330000278	Decal, Caution	2	
10	1001132265	Decal, Rating	2	
11	7759000004	Pop Rivet	8	
12	4561000012	Pull Hook	1	
13	7577000368	Strap	1	
14	3912000038	Tube Weldment	2	
15	3561000008	Hook	4	
16	7894000037	Strap	2	
17	7894000028	Ratchet Strap	4	

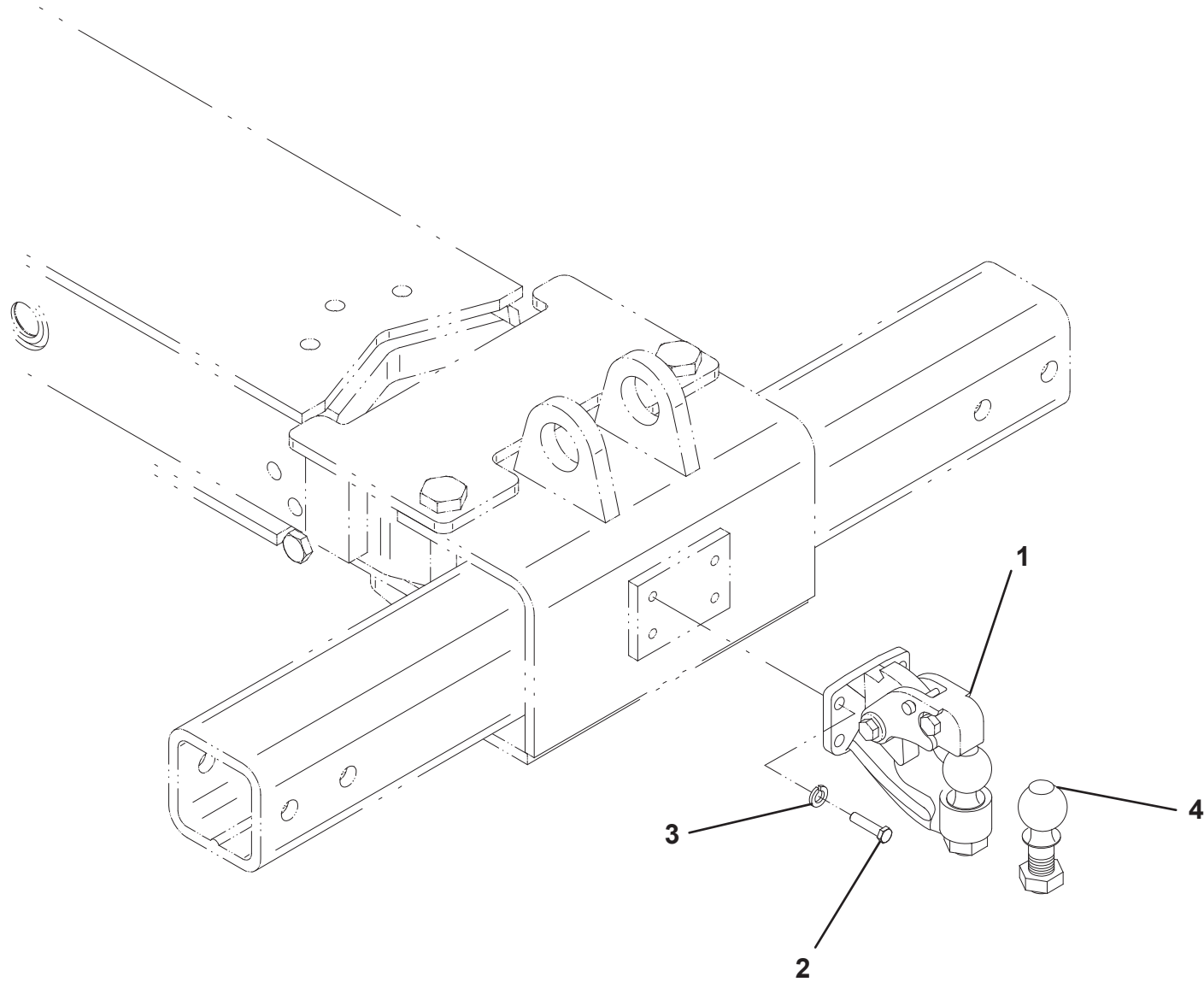
UNDERLIFT TOOLS - 25,000 LB TIRE LIFT



UNDERLIFT TOOLS - PINTLE HOOK

ITEM	PART NO.	DESCRIPTION	QTY	REV
	2503880043	Underlift Tools - Pintle Hook	Ref	A
1	7561000020	Hitch, Pintle Hook with 2" Dia. Ball	1	
2	7118181250	Capscrew, 0.50"-13NC x 1.50"	4	
3	7950180000	Lockwasher, 0.50" ID	4	
4	7056000003	Ball, 1.88" Dia	1	
	7056000004	Ball, 2.00" Dia		
	7056000005	Ball, 2.31" Dia		
	7056000006	Ball, 50mm Dia		

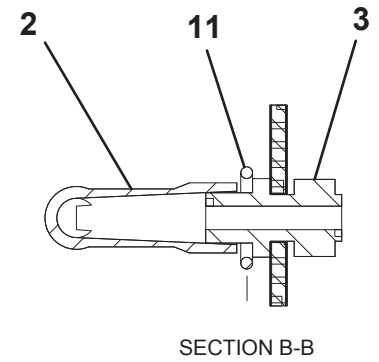
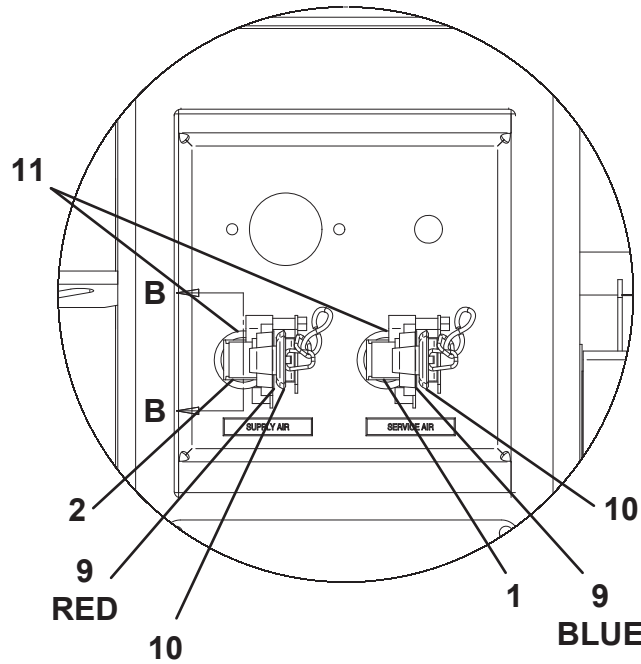
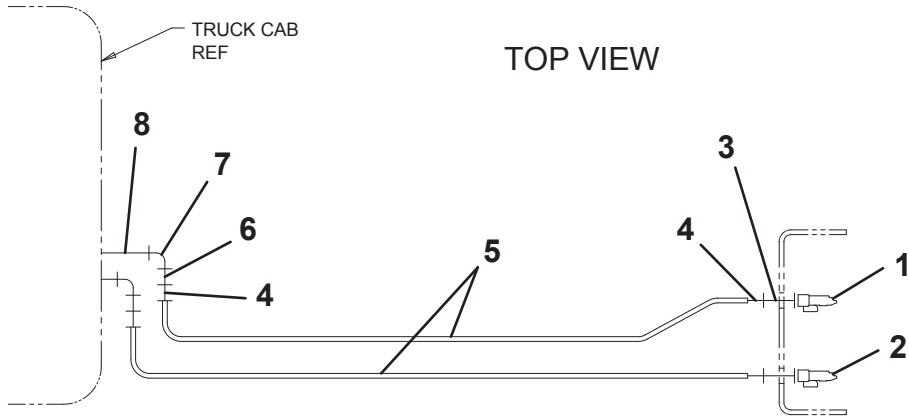
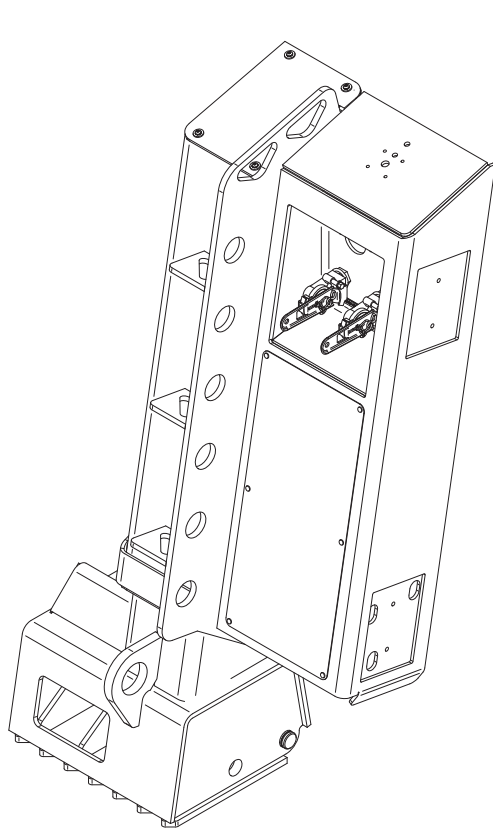
UNDERLIFT TOOLS - PINTLE HOOK



TRAILER AIR INSTALLATION

ITEM	PART NO.	DESCRIPTION	QTY	REV
	2503630028	Trailer Air Installation	Ref	F
1	7312000015	Gladhand	1	
2	7312000016	Gladhand	1	
3	7446502518	Fitting	2	
4	7445060435	Fitting	4	
5	7565000014	Airline	50 FT	
6	7443000148	Bushing	2	
7	7443000146	Elbow	2	
8	7443000145	Bushing	2	
9	7577000145	Seal Kit	1	
10	1001170036	Shield	2	
11	1001171933	Ring	2	

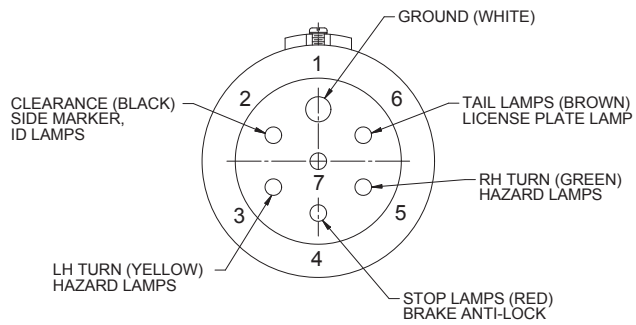
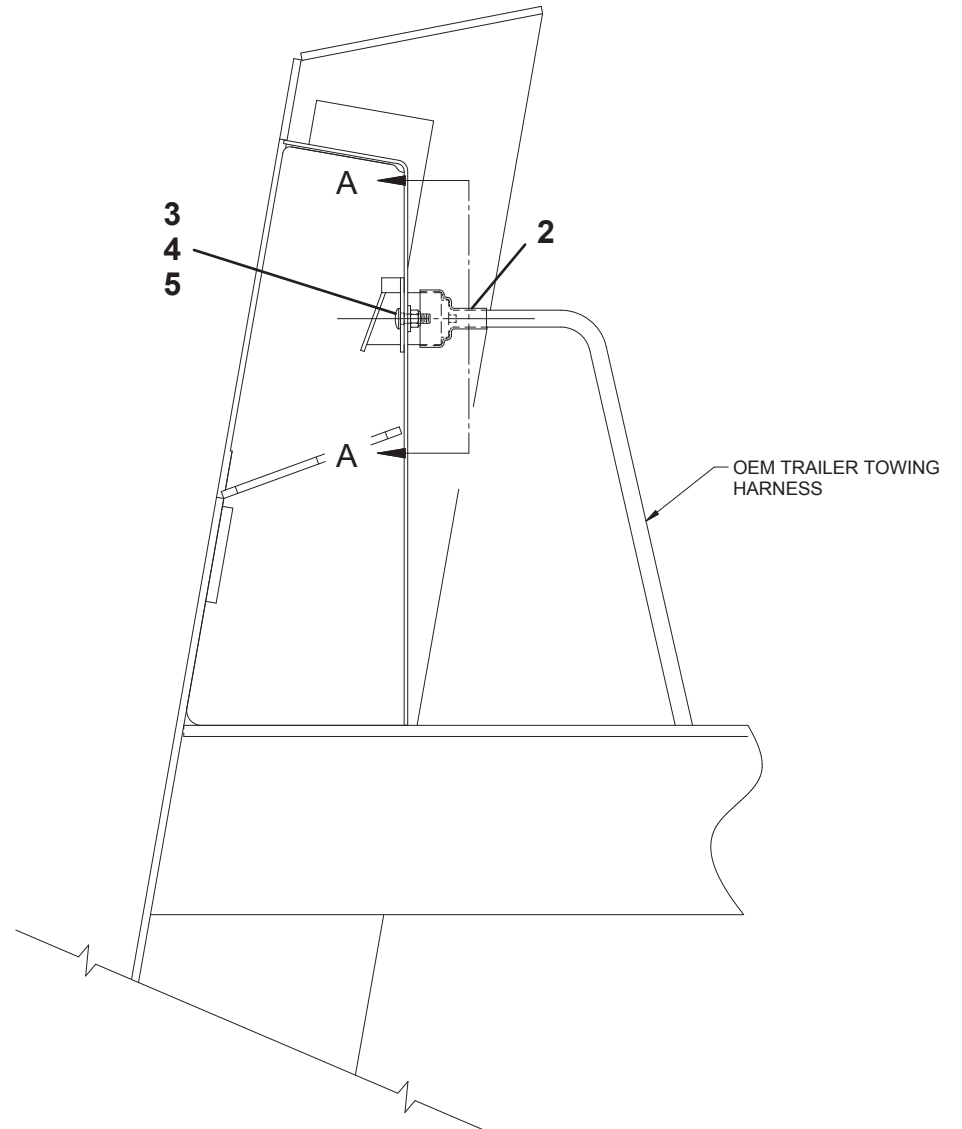
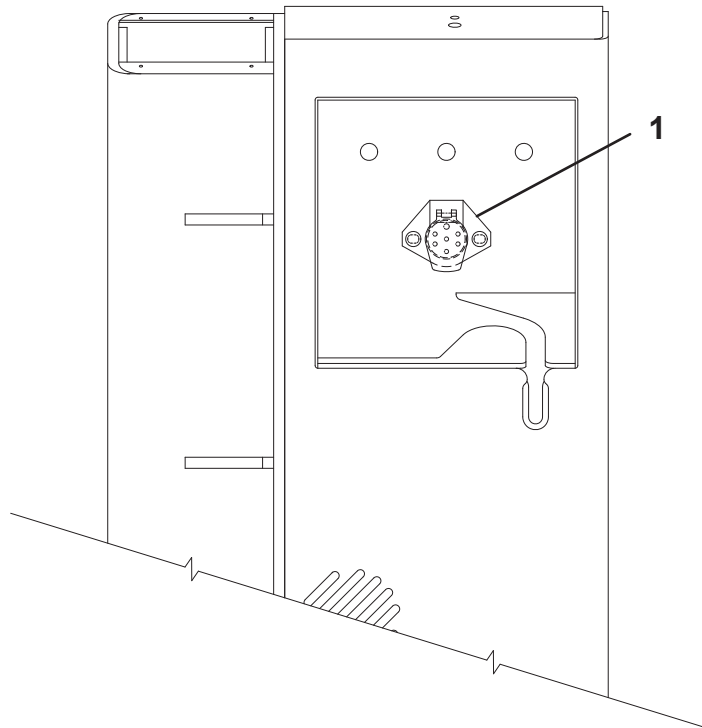
TRAILER AIR INSTALLATION



TRAILER PLUG INSTALLATION

ITEM	PART NO.	DESCRIPTION	QTY	REV
	2502330145	Trailer Plug Installation	Ref	C
1	7346000055	7-Way Plug	1	
2	7346000078	7-Way Plug Boot	1	
3	7115150864	Bolt, 0.31"-18NC x 1.00"	2	
4	7950150161	Flatwasher, 0.31" ID	2	
5	7660152601	Locknut, 0.31"-18NC	2	

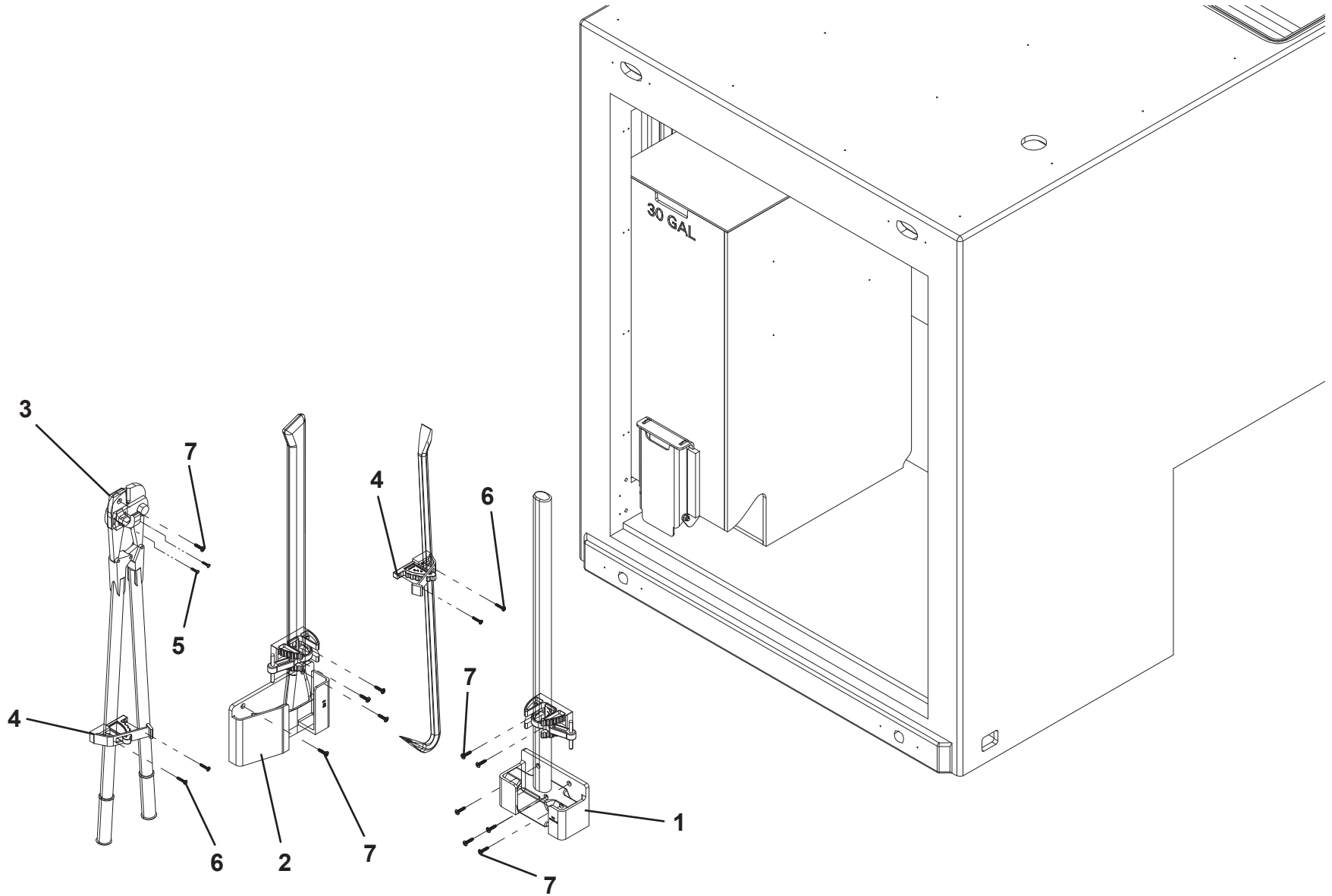
TRAILER PLUG INSTALLATION



TOOL STORAGE

ITEM	PART NO.	DESCRIPTION	QTY	REV
	1001201234	Tool Storage	Ref	B
1	1001201215	Bracket	1	
2	1001201216	Bracket	1	
3	1001201217	Bracket	1	
4	1001201218	Bracket	2	
5	1001196552	Screw, #8 x 0.75"	2	
6	1001201366	Screw, #10 x 1.00"	4	
7	1001201367	Screw, 0.25" x 1.00"	11	

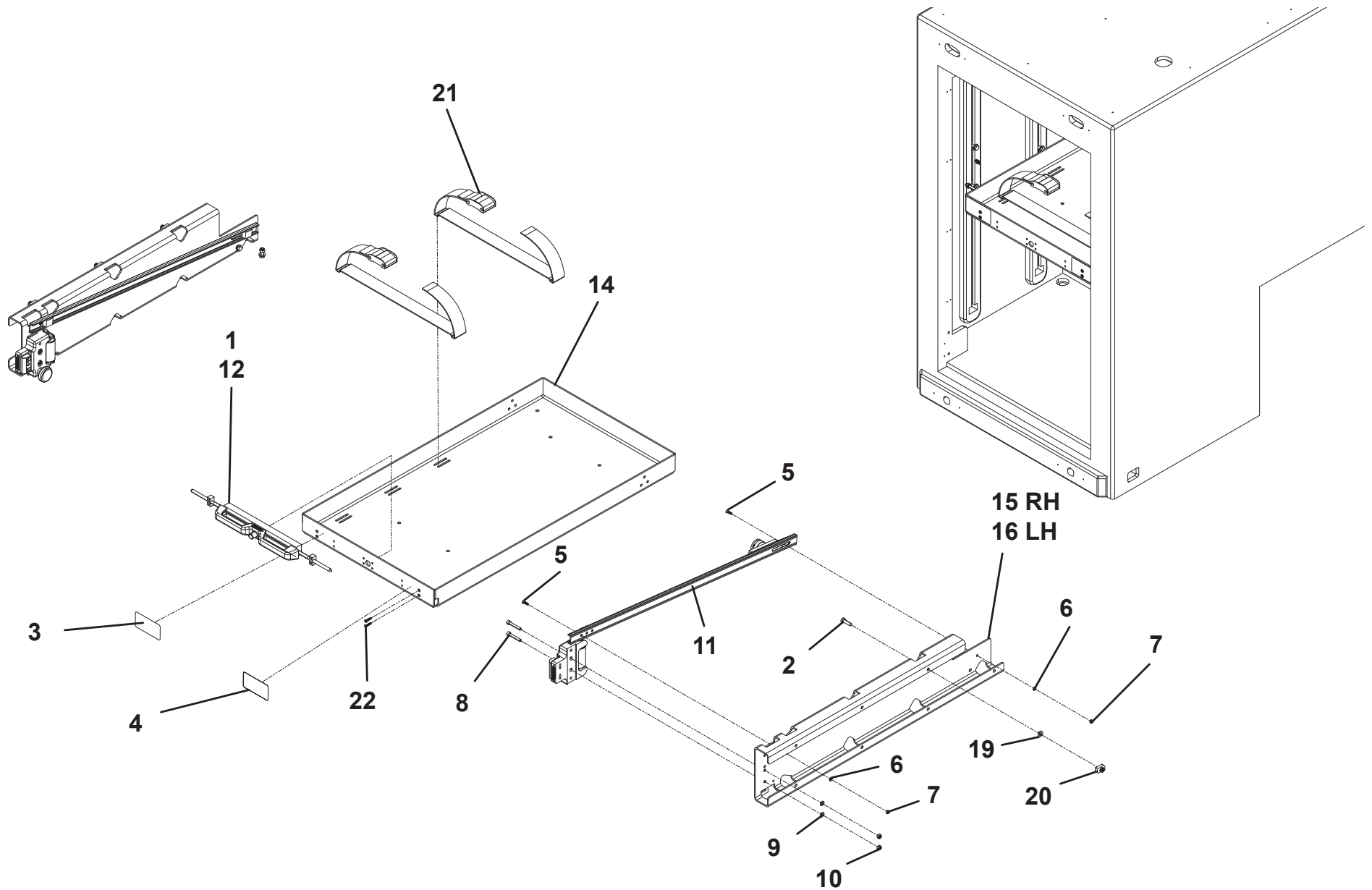
TOOL STORAGE



TILT DOWN STORAGE TRAY - TANDEM

ITEM	PART NO.	DESCRIPTION	QTY	REV
	1001199998	Tilt Down Storage Tray - Tandem	Ref	B
1	3020029	Bearing Grease	A/R	
2	1001169080	Screw, 0.38"-16 X 1.25"	36	
3	1001170090	Decal	3	
4	1001170091	Decal	3	
5	1001170305	Bolt, #6-20	12	
6	1001170307	Washer, M6 ID	12	
7	1001170310	Nut, M6	12	
8	1001170328	Screw, M8-50	12	
9	1001170329	Washer, M8 ID	12	
10	1001170330	Nut, M8	12	
11	1001170331	Roller Assembly	3	
12	1001170332	Latch	3	
13	1001179349	Strap (Not Shown)	6	
14	1001182841	Tilt-Down Drawer	3	
15	1001183735	Bracket, RH	3	
16	1001183736	Bracket, LH	3	
17	7114160850	Screw, 0.38"-16 X 1.00" (Not Shown)	12	
18	7660162601	Locknut, 0.38"-16NC (Not Shown)	12	
19	7950160141	Flatwasher, 0.38" ID	48	
20	1001166644	Nut, 0.38"-16	36	
21	1001170428	Strap	6	
22	1001200997	Screw, M5X25	12	

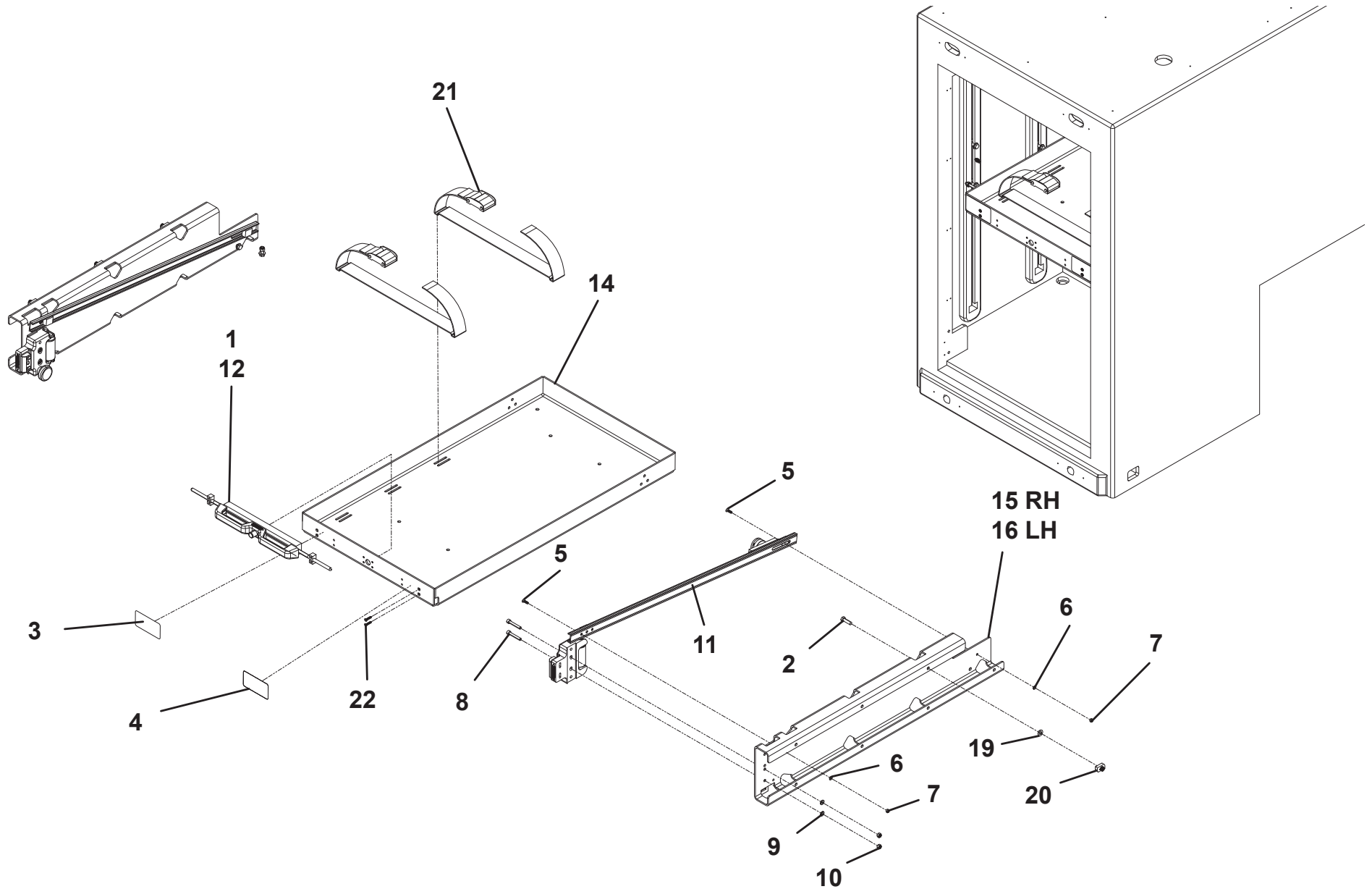
TILT DOWN STORAGE TRAY - TANDEM



TILT DOWN STORAGE TRAY - TRI-AXLE

ITEM	PART NO.	DESCRIPTION	QTY	REV
	1001199999	Tilt Down Storage Tray - Tri-Axle	Ref	B
1	3020029	Bearing Grease	A/R	
2	1001169080	Screw, 0.38"-16 X 1.25"	36	
3	1001170090	Decal	3	
4	1001170091	Decal	3	
5	1001170305	Bolt, #6-20	12	
6	1001170307	Washer, M6 ID	12	
7	1001170310	Nut, M6	12	
8	1001170328	Screw, M8-50	12	
9	1001170329	Washer, M8 ID	12	
10	1001170330	Nut, M8	12	
11	1001170331	Roller Assembly	3	
12	1001170332	Latch	3	
13	1001179349	Strap (Not Shown)	6	
14	1001197693	Tilt-Down Drawer	3	
15	1001183735	Bracket, RH	3	
16	1001183736	Bracket, LH	3	
17	7114160850	Screw, 0.38"-16 X 1.00" (Not Shown)	12	
18	7660162601	Locknut, 0.38"-16NC (Not Shown)	12	
19	7950160141	Flatwasher, 0.38" ID	48	
20	1001166644	Nut, 0.38"-16	36	
21	1001170428	Strap	6	
22	1001200997	Screw, M5X25	12	

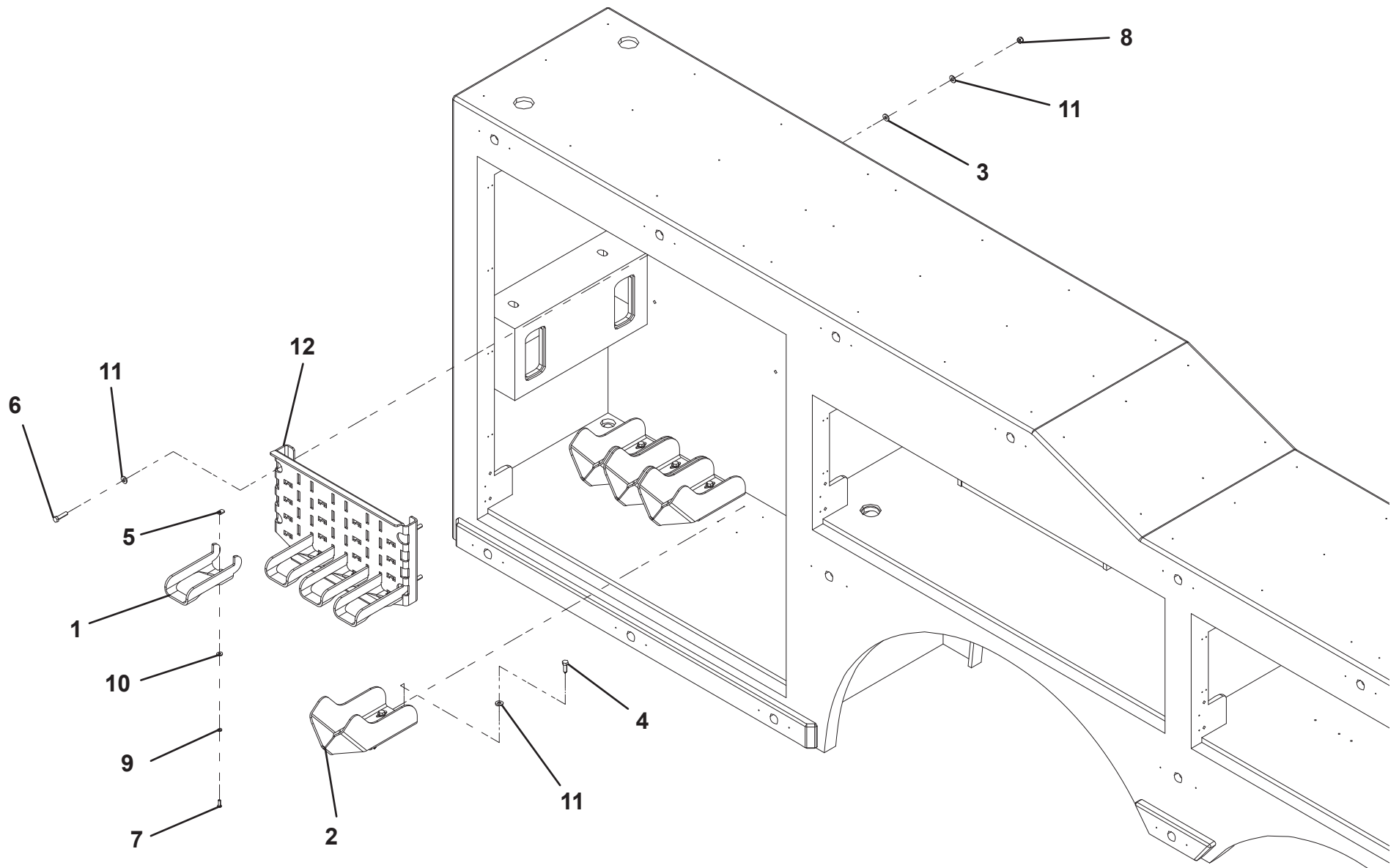
TILT DOWN STORAGE TRAY - TRI-AXLE



SNATCH BLOCK STORAGE INSTALLATION - TANDEM

ITEM	PART NO.	DESCRIPTION	QTY	REV
	1001217105	Snatch Block Storage Installation - Tandem	Ref	A
1	1001164560	Bracket, Top	4	
2	1001164562	Bracket, Bottom	4	
3	1001166974	Washer, 0.38"	4	
4	1001168545	Screw, 0.38" X 1.25"	16	
5	1001168733	Nut, 0.25"-20	4	
6	1001168993	Screw, 0.38"-16 X 1.50"	4	
7	7114140618	Nut, 0.25"-20 X 0.75"	4	
8	7660162601	Locknut, 0.38"-16NC	4	
9	7950140003	Lockwasher, 0.25" ID	4	
10	7950140143	Flatwasher, 0.25" ID	4	
11	7950160143	Flatwasher, 0.38" ID	24	
12	1001201112	Bracket	1	

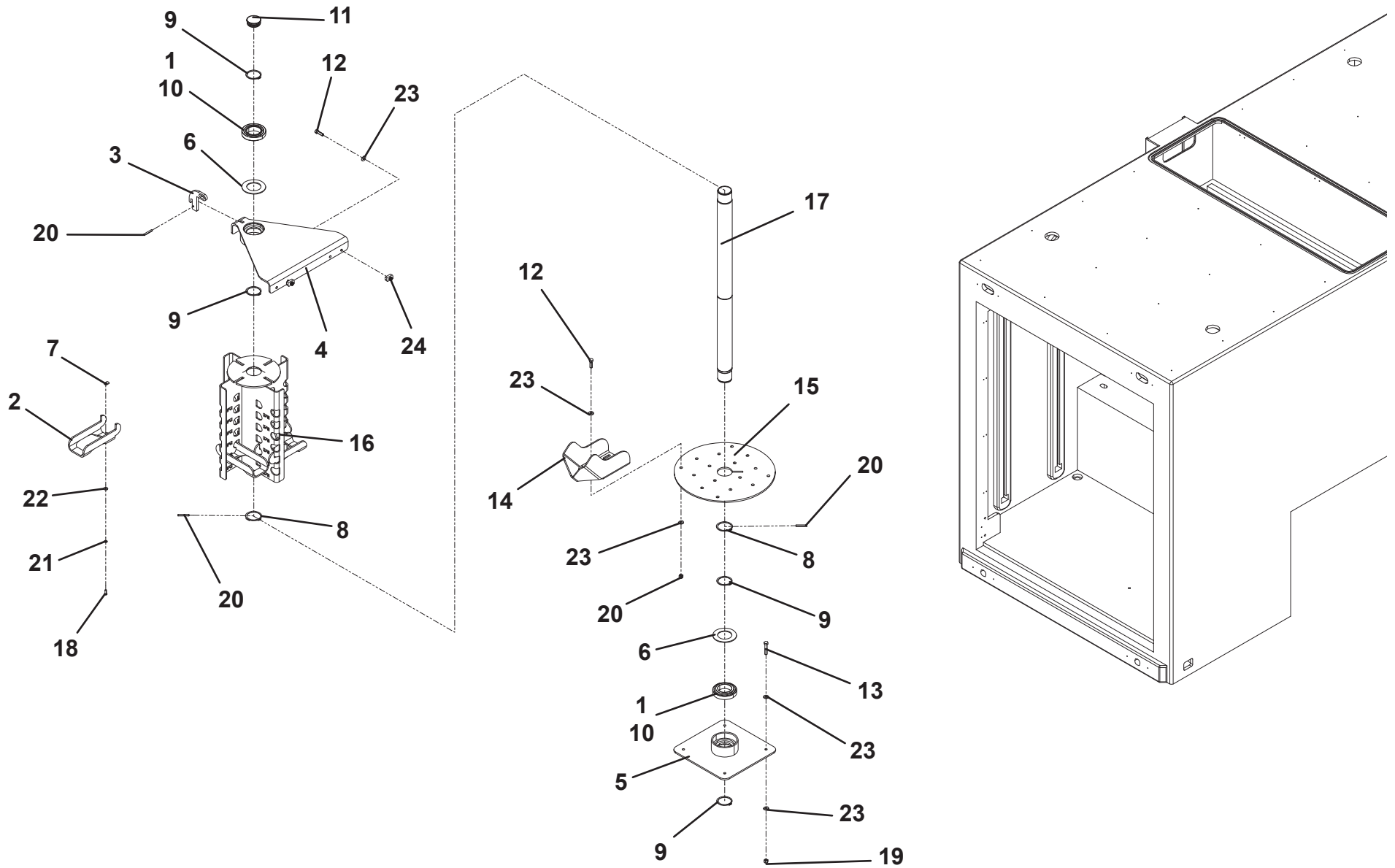
SNATCH BLOCK STORAGE INSTALLATION - TANDEM



SNATCH BLOCK STORAGE INSTALLATION - TRI-AXLE

ITEM	PART NO.	DESCRIPTION	QTY	REV
	1001195134	Snatch Block Storage Installation - Tri-Axle	Ref	A
1	3020029	Lube, Bearing Grease	A/R	
2	1001164560	Bracket, Top	4	
3	1001165564	Plate	1	
4	1001165570	Bracket	1	
5	1001165571	Bracket	1	
6	1001165584	Plate	2	
7	1001168733	Nut, 0.25"-20	4	
8	1001169063	Retaining Ring	2	
9	1001169064	Retaining Ring	4	
10	1001169076	Bearing	2	
11	1001169078	Plug	1	
12	1001169080	Screw, 0.38"-16 X 1.25"	18	
13	1001169083	Screw, 0.38"-16 X 2.00"	4	
14	1001190342	Bracket	4	
15	1001190359	Support	1	
16	1001190361	Bracket	1	
17	1001192126	Tube	1	
18	7114140618	Bolt, 0.25"-20 X 0.75"	4	
19	7660162601	Locknut, 0.38"-16NC	20	
20	7690142845	Pin	3	
21	7950140003	Lockwasher, 0.25" ID	4	
22	7950140143	Flatwasher, 0.25" ID	4	
23	7950160143	Flatwasher, 0.38" ID	42	
24	1001166644	Nut, 0.38"-16	2	

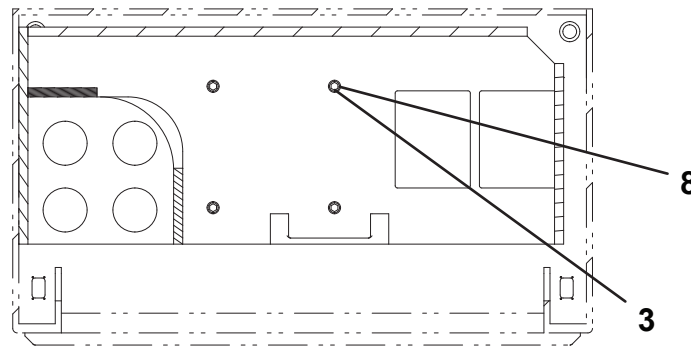
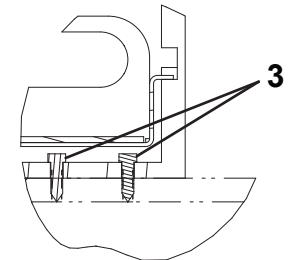
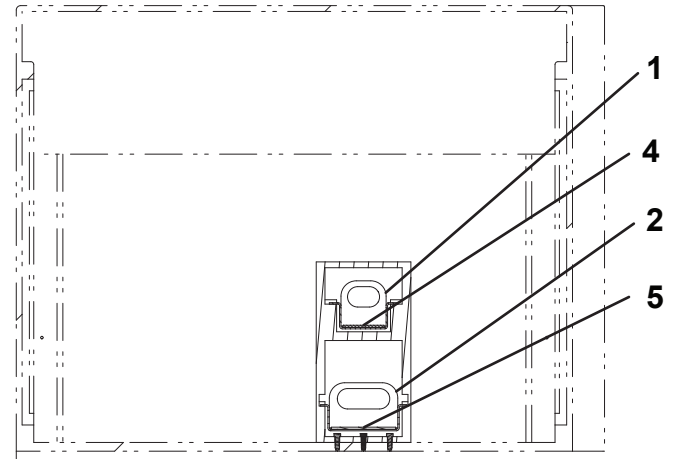
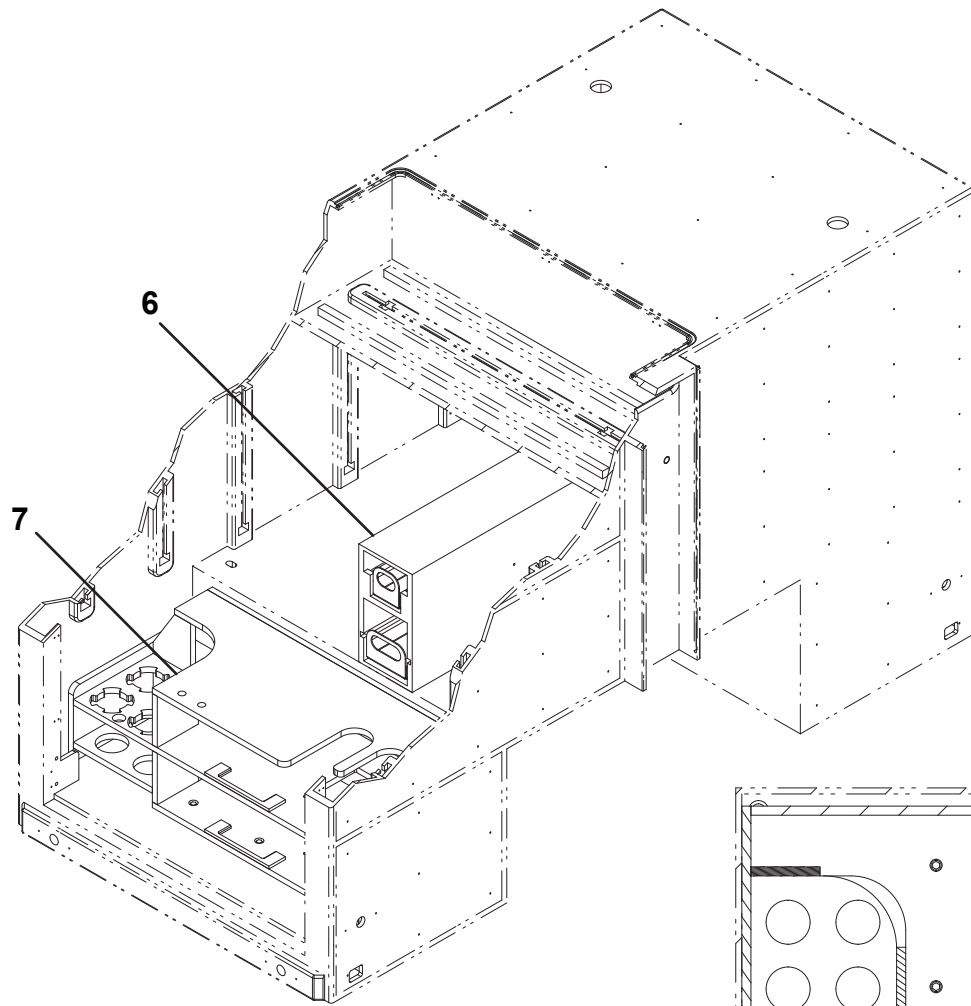
SNATCH BLOCK STORAGE INSTALLATION - TRI-AXLE



TIRE LIFT STORAGE - 51" AND 49" TOOLBOX

ITEM	PART NO.	DESCRIPTION	QTY	REV
	1001196249	Tire Lift Storage - 51" & 49" Toolbox	Ref	C
1	1001165862	Channel, Large	1	
2	1001165863	Channel, Small	1	
3	1001168545	Screw, 0.38" X 1.25"	10	
4	1001170968	Pad, Small	1	
5	1001170970	Pad, Large	1	
6	1001170971	Bracket	1	
7	1001190409	Bus Arm Storage	1	
8	7950160143	Flatwasher, 0.38" ID	4	

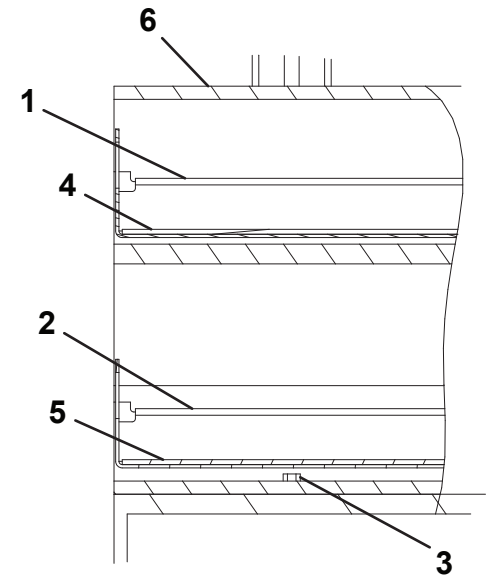
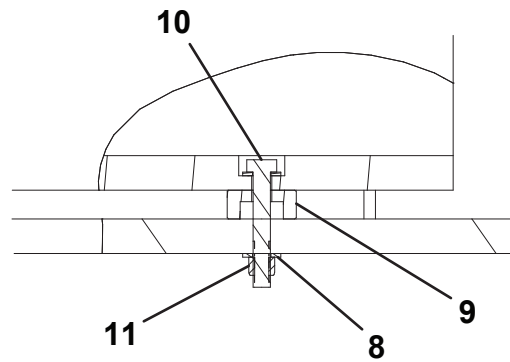
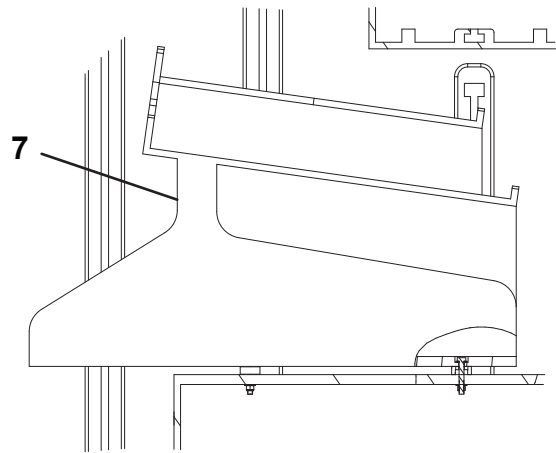
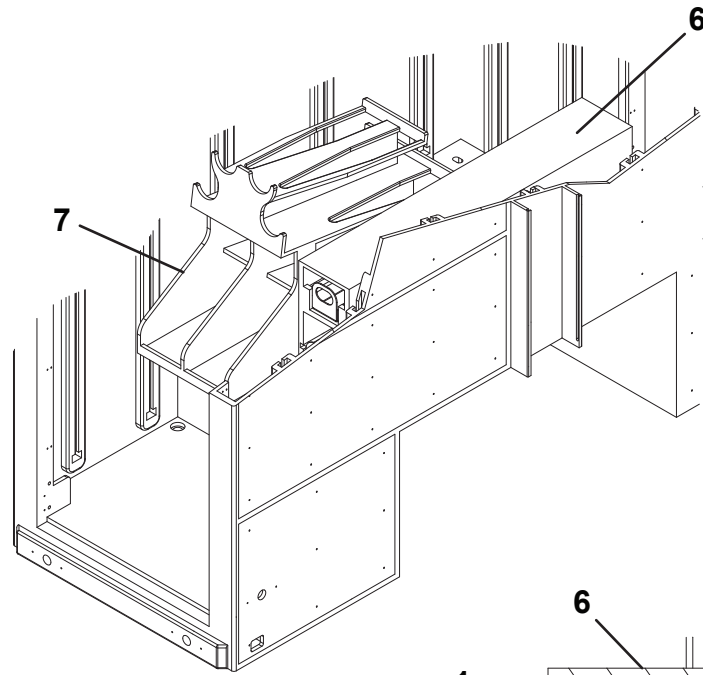
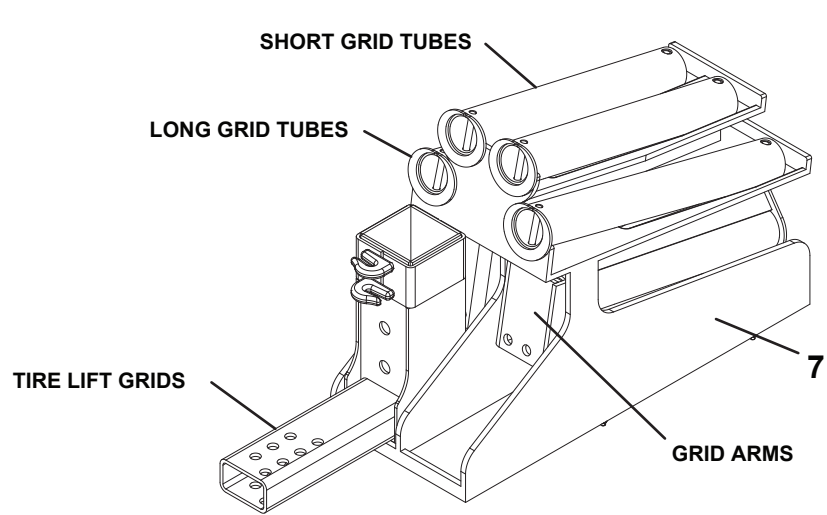
TIRE LIFT STORAGE - 51" AND 49" TOOLBOX



TIRE LIFT STORAGE - 39" AND 37" TOOLBOX

ITEM	PART NO.	DESCRIPTION	QTY	REV
	1001205796	Tire Lift Storage - 39" & 37" Toolbox	Ref	B
1	1001165862	Tray, Small	1	
2	1001165863	Tray, Large	1	
3	1001168545	Screw, 0.38" X 1.25"	4	
4	1001170968	Pad, Small	1	
5	1001170970	Pad, Large	1	
6	1001170971	Bracket	1	
7	1001192287	Storage	1	
8	7950160143	Flatwasher, 0.38" ID	8	
9	1001190579	Mount	4	
10	7115162050	Screw, 0.38"-16NC X 2.50"	4	
11	7660162601	Locknut, 0.38"-16NC	4	

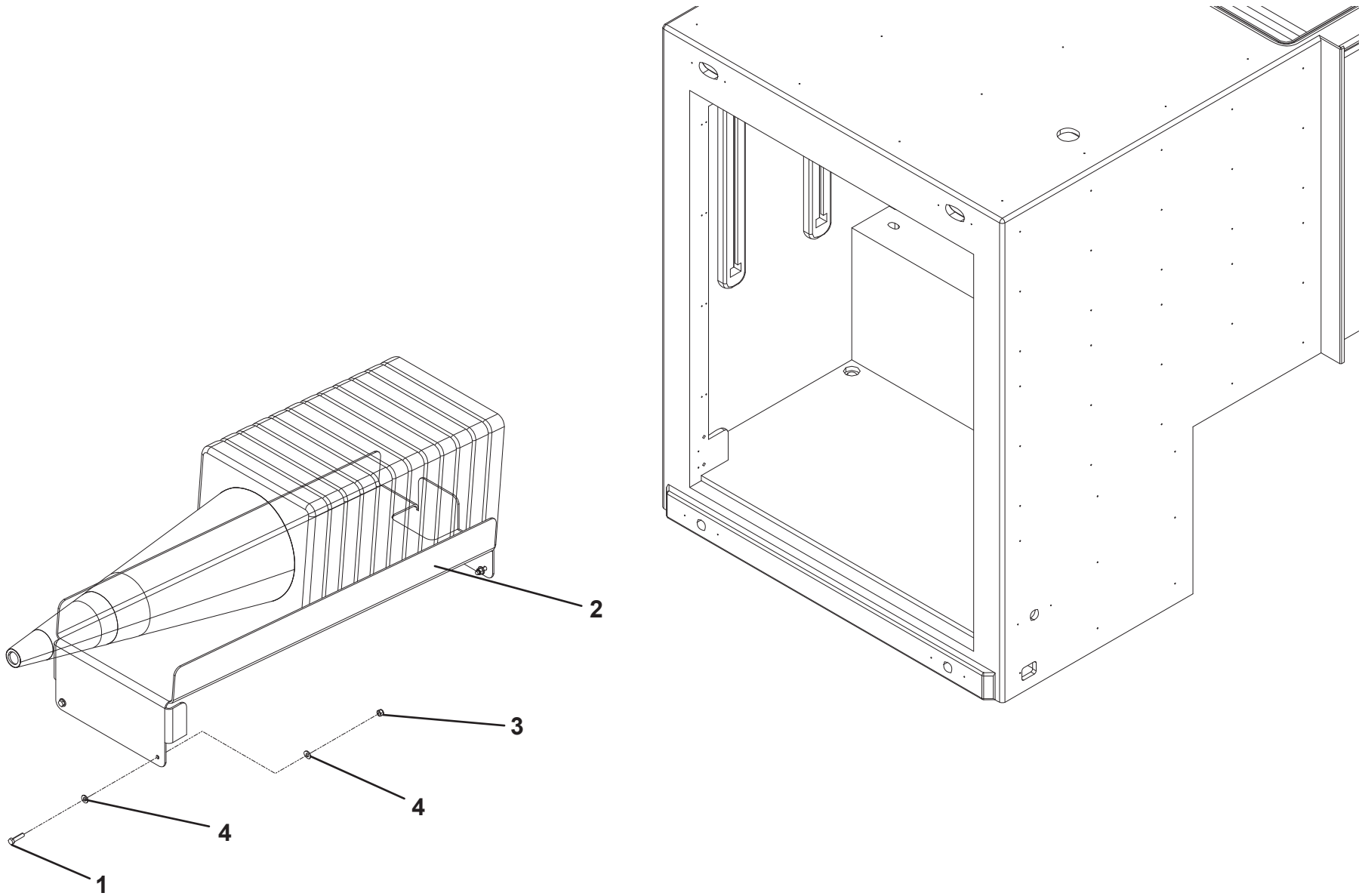
TIRE LIFT STORAGE - 39" AND 37" TOOLBOX



TRAFFIC CONE STORAGE

ITEM	PART NO.	DESCRIPTION	QTY	REV
	1001195764	Traffic Cone Storage	Ref	A
1	1001168993	Screw, 0.38"-16 x 1.50"	4	
2	1001190551	Bracket	1	
3	7660162601	Locknut, 0.25"-20	4	
4	7950160143	Flatwasher, 0.38" ID	8	

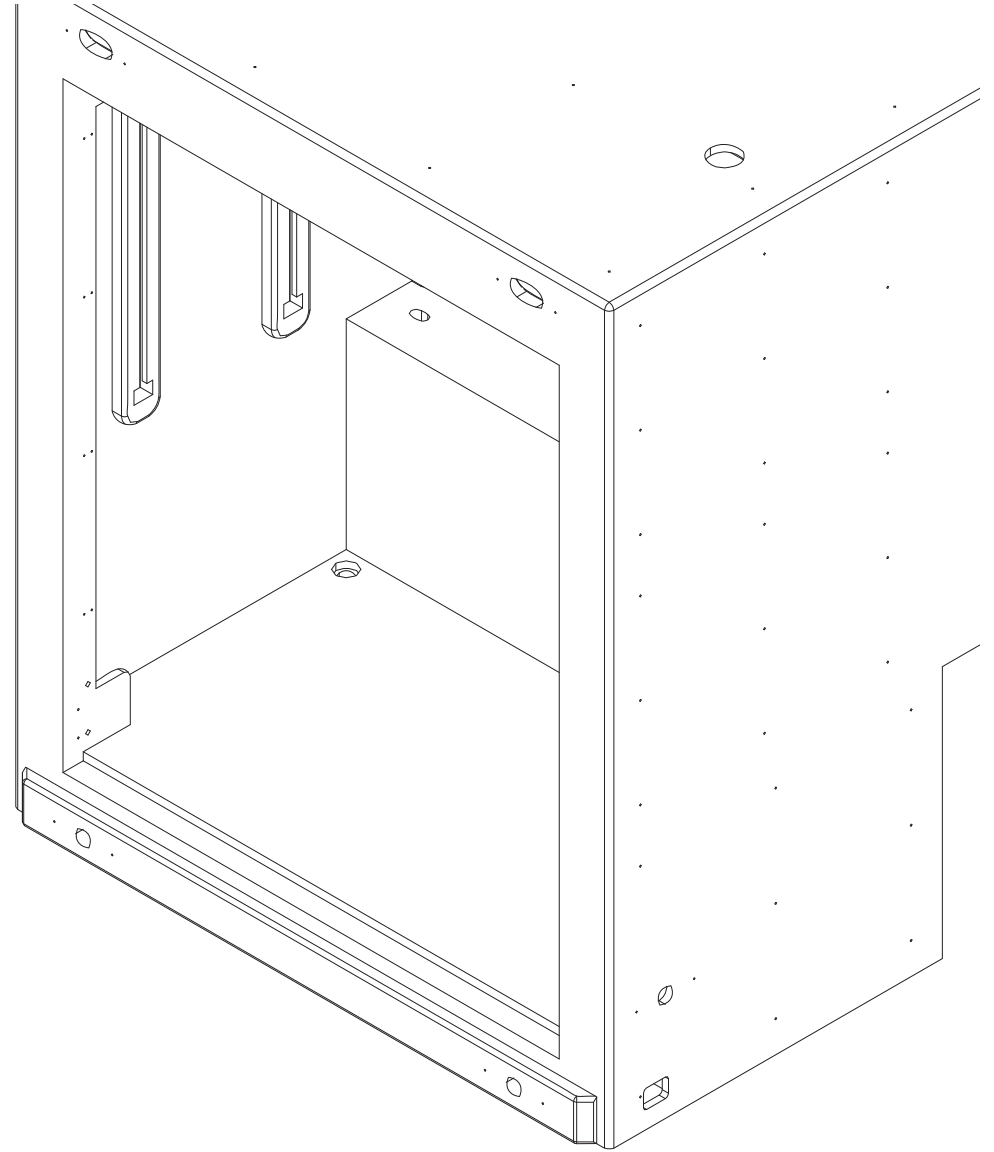
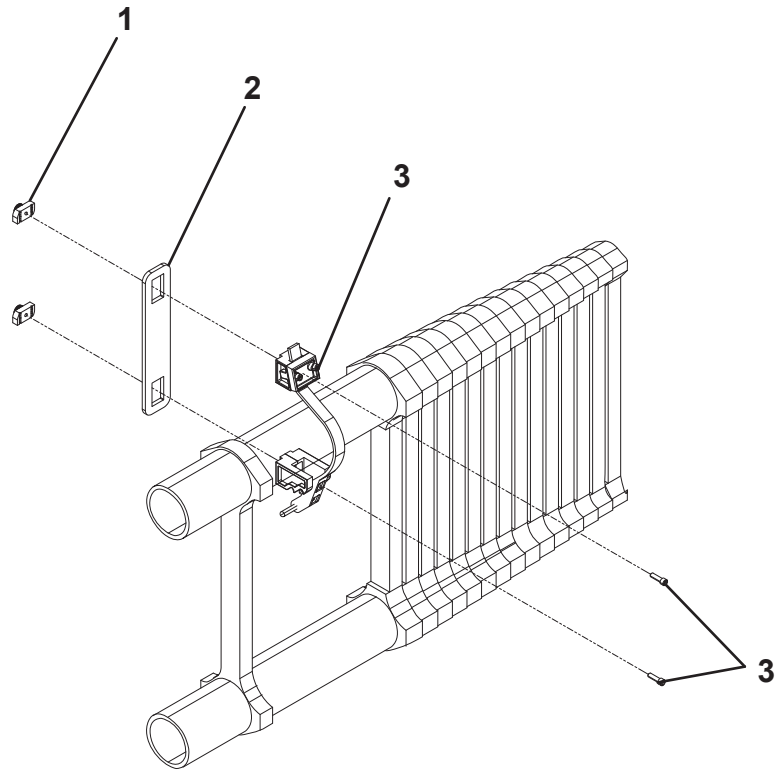
TRAFFIC CONE STORAGE



LADDER STORAGE

ITEM	PART NO.	DESCRIPTION	QTY	REV
	1001200001	Ladder Storage	Ref	B
1	1001183037	Nut, 0.25"-20	2	
2	1001201523	Plate	1	
3	1001201534	Bracket	1	

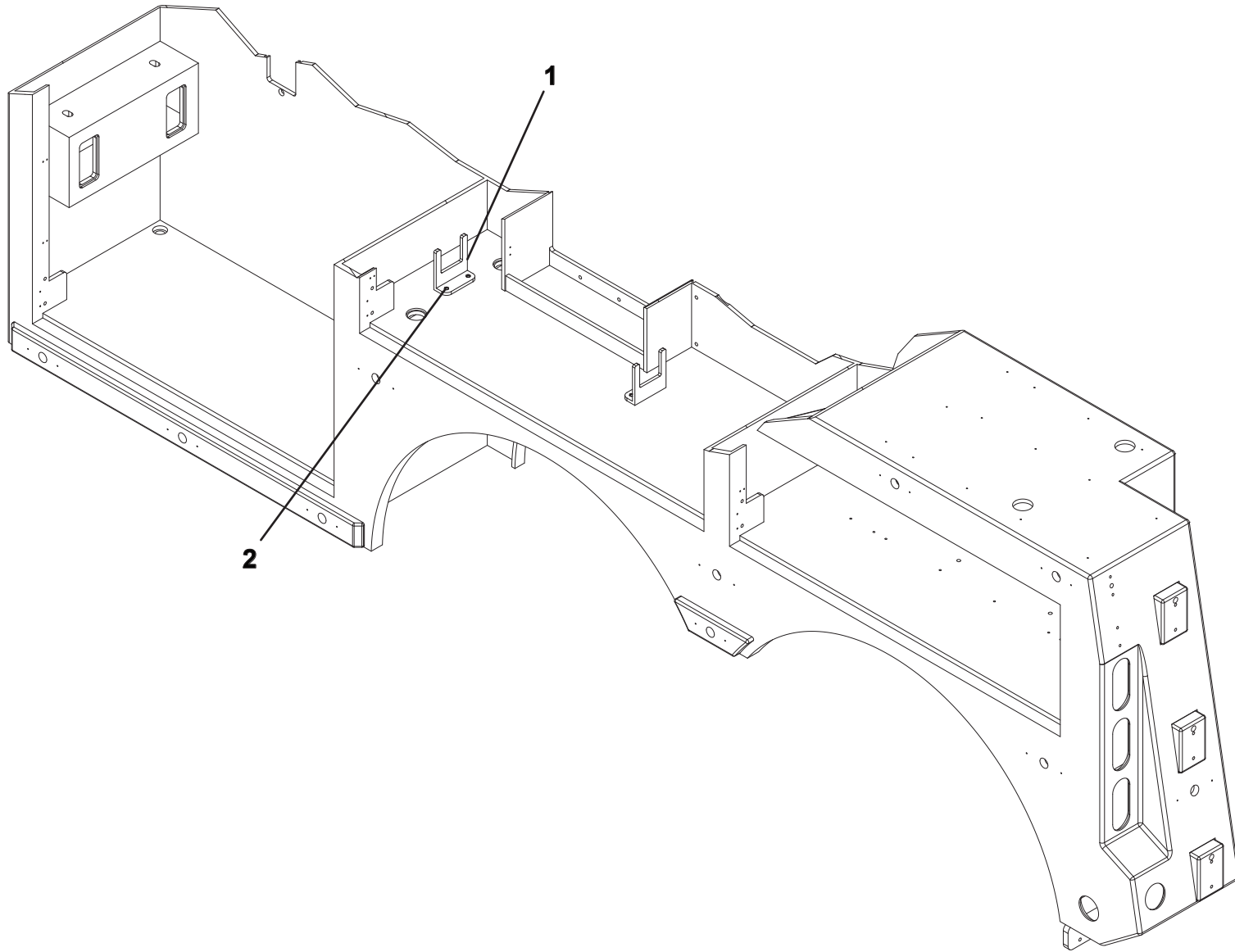
LADDER STORAGE



TOW LIGHT STORAGE

ITEM	PART NO.	DESCRIPTION	QTY	REV
	1001195592	Tow Light Storage	Ref	A
1	1001170618	Bracket	2	
2	1001195523	Screw, 0.25" x 1.00"	4	

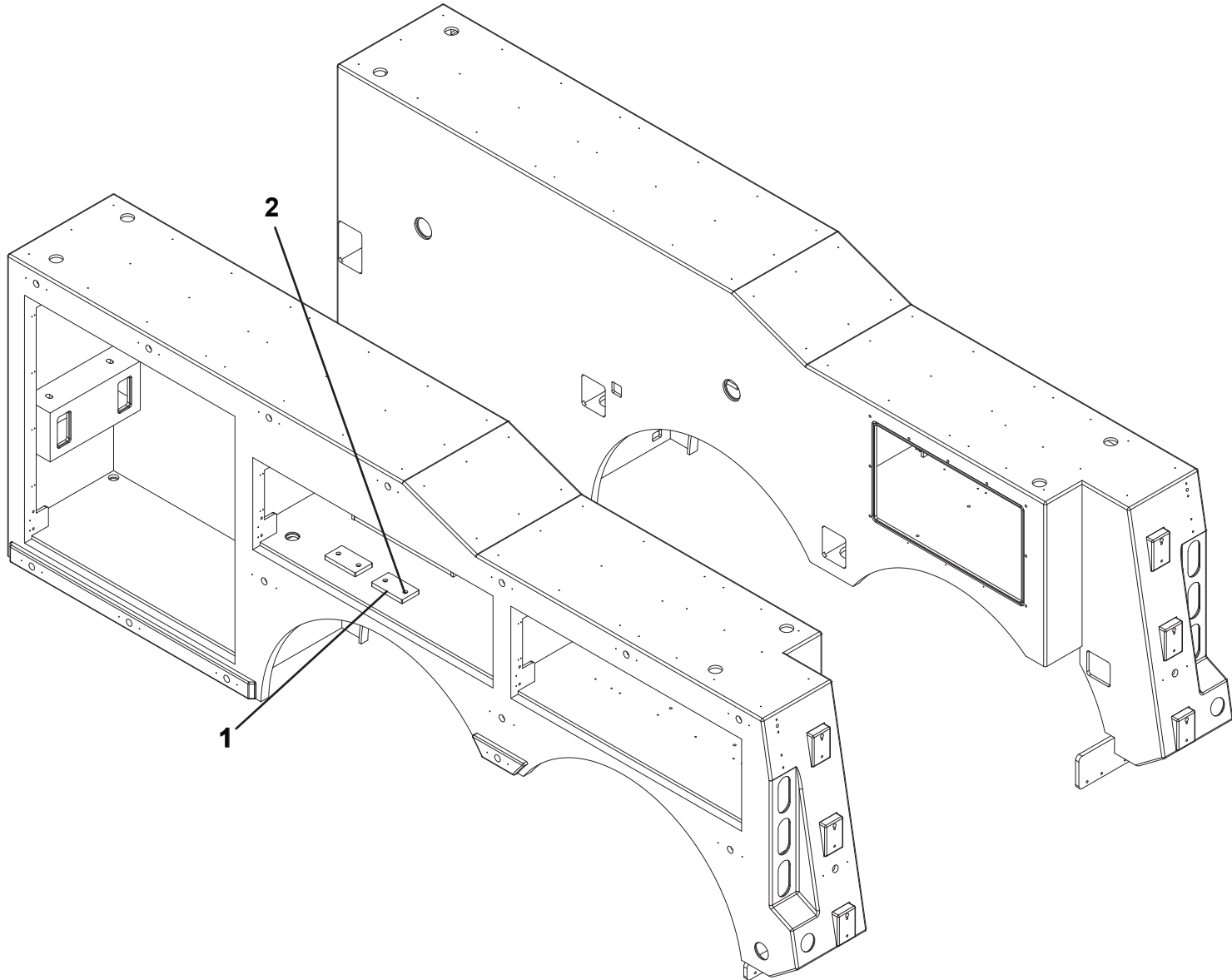
TOW LIGHT STORAGE



WHEEL CHOCK STORAGE

ITEM	PART NO.	DESCRIPTION	QTY	REV
	1001195520	Wheel Chock Storage	Ref	B
1	1001170707	Wheel Chock Stop	4	
2	1001195523	Screw, 0.25" x 1.00"	8	

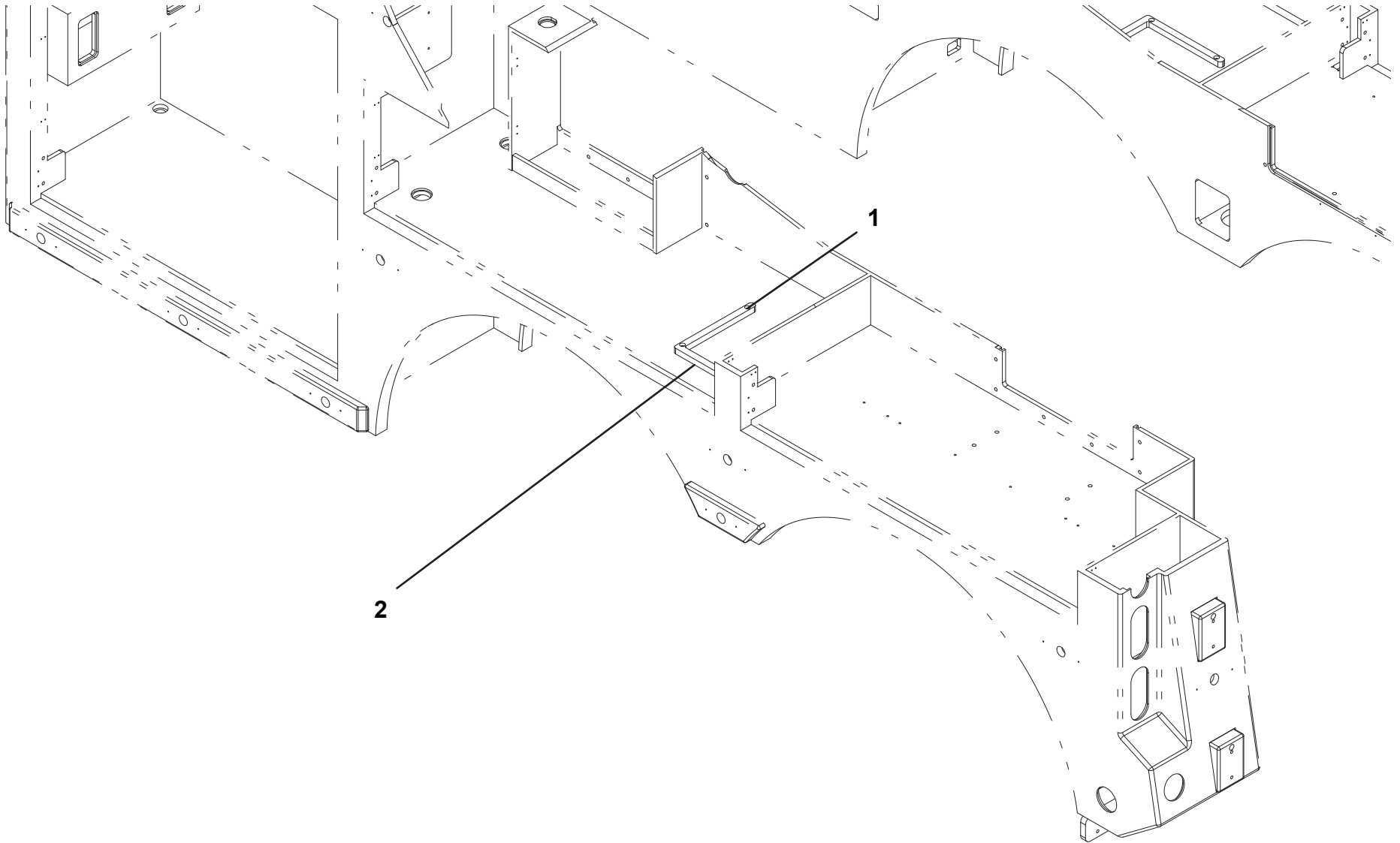
WHEEL CHOCK STORAGE



FLARE STORAGE

ITEM	PART NO.	DESCRIPTION	QTY	REV
	1001201704	Flare Storage	Ref	A
1	1001195523	Screw, 0.25" x 1.00"	8	
2	1001201695	Bracket	2	

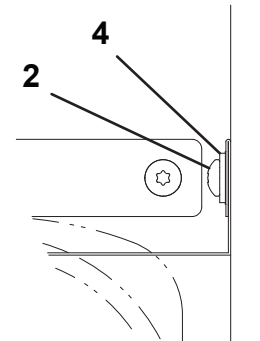
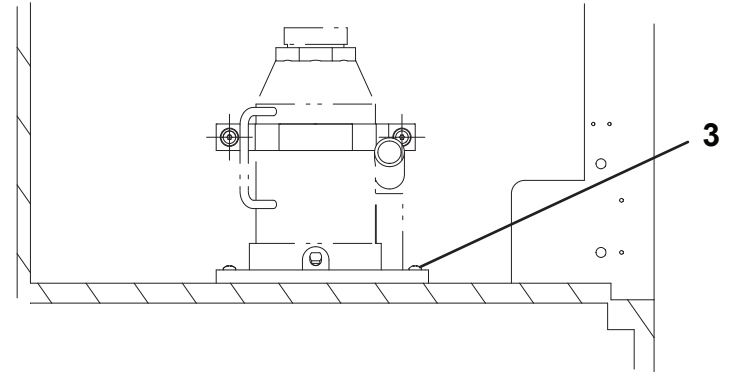
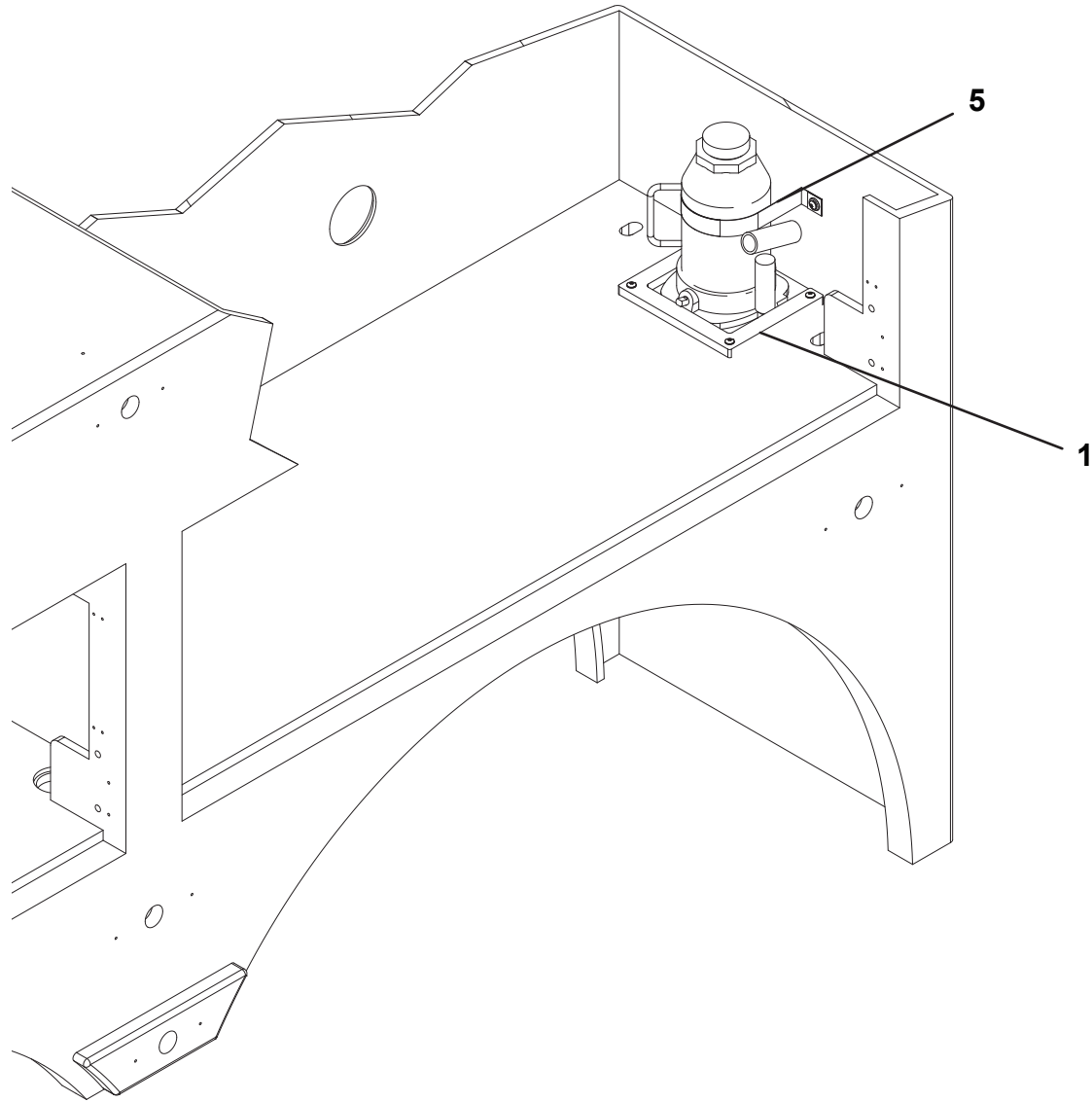
FLARE STORAGE



BOTTLE JACK STORAGE

ITEM	PART NO.	DESCRIPTION	QTY	REV
	1001196214	Bottle Jack Storage	Ref	B
1	1001170839	Bracket	1	
2	1001195257	Screw, 0.25" x 0.50"	2	
3	1001195523	Screw, 0.25" x 1.00"	4	
4	7950140143	Flatwasher, 0.25" ID	2	
5	1001167268	Strap	2	

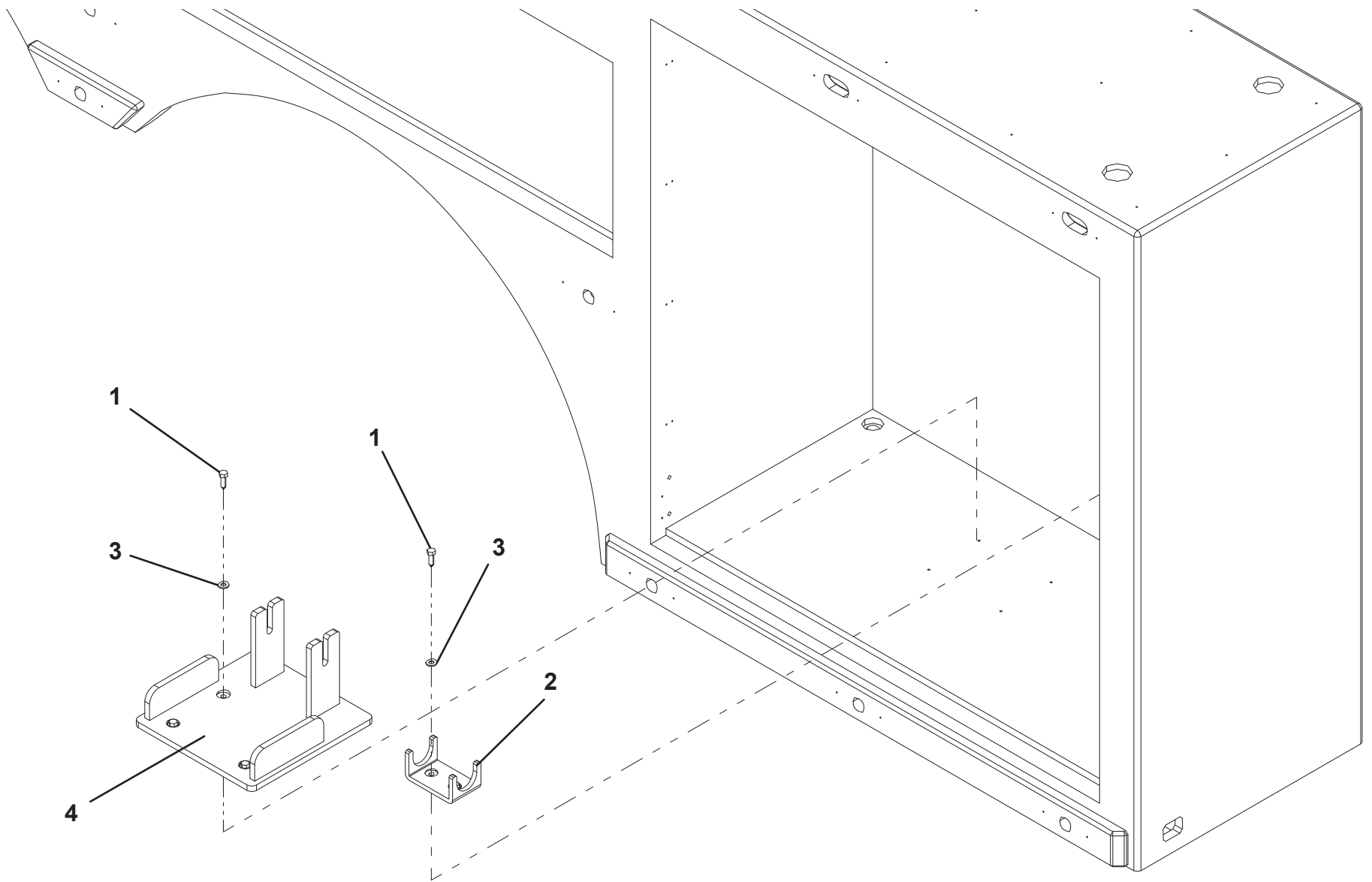
BOTTLE JACK STORAGE



FIFTH WHEEL STORAGE INSTALLATION

ITEM	PART NO.	DESCRIPTION	QTY	REV
	1001195942	Fifth Wheel Storage Installation	Ref	C
1	1001168545	Screw, 0.38" x 1.25"	6	
2	1001190568	Bracket	1	
3	7950160143	Flatwasher, 0.38" ID	6	
4	1001191810	Bracket	1	

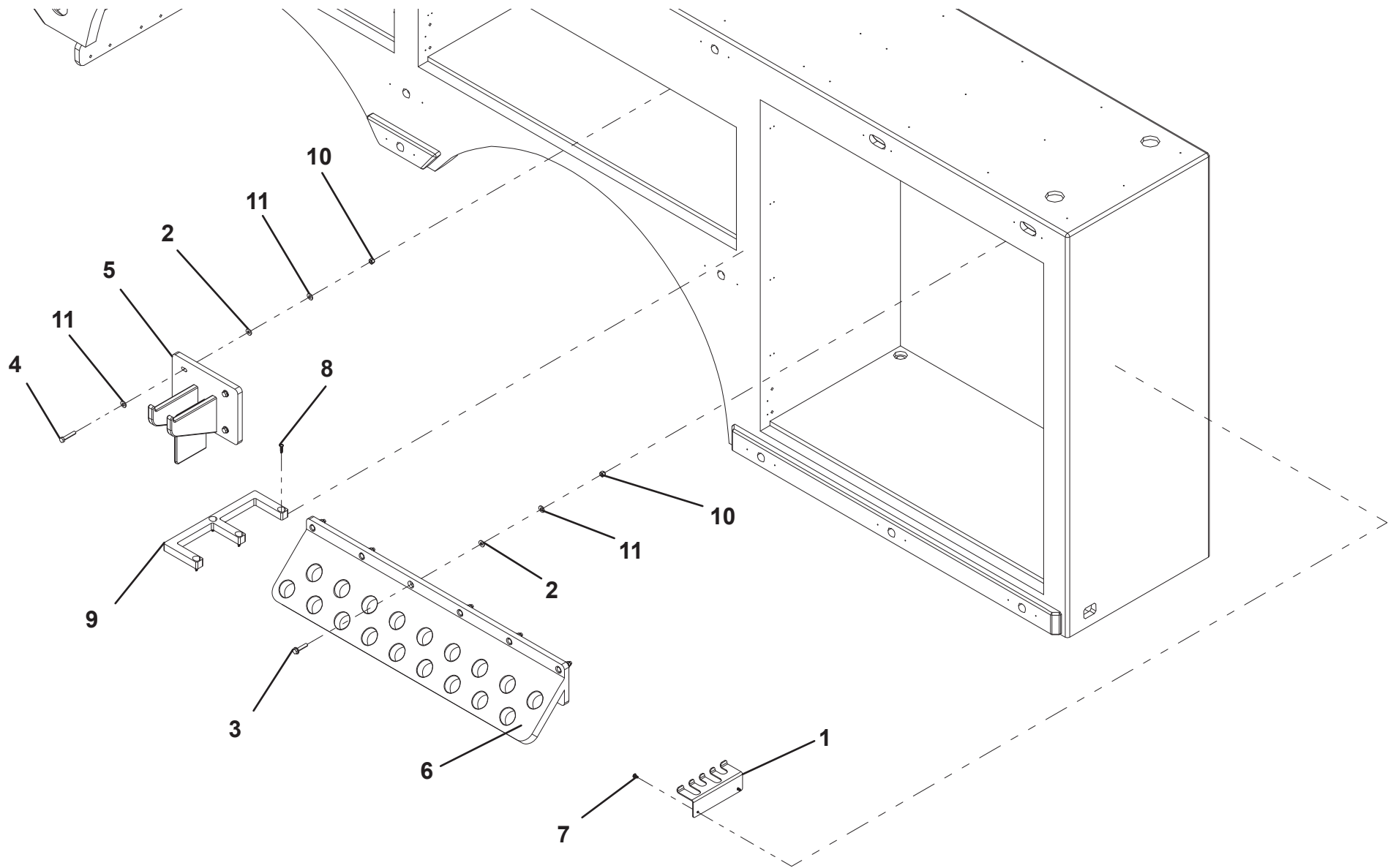
FIFTH WHEEL STORAGE INSTALLATION



FRAME FORK STORAGE INSTALLATION

ITEM	PART NO.	DESCRIPTION	QTY	REV
	1001195839	Frame Fork Storage Installation	Ref	C
1	1001160799	Bracket	1	
2	1001166974	Washer, 0.38" ID Rubber	10	
3	1001168544	Screw, 0.38"-16 X 1.75"	6	
4	1001169083	Screw, 0.38"-16 X 2.00"	4	
5	1001190926	Bracket	1	
6	1001190988	Bracket	1	
7	1001195257	Screw, 0.25" X 0.50"	2	
8	1001195523	Screw, 0.25" X 1.00"	4	
9	1001195838	Bracket	1	
10	7660162601	Locknut, 0.38"-16NC	10	
11	7950160143	Flatwasher, 0.38" ID	20	

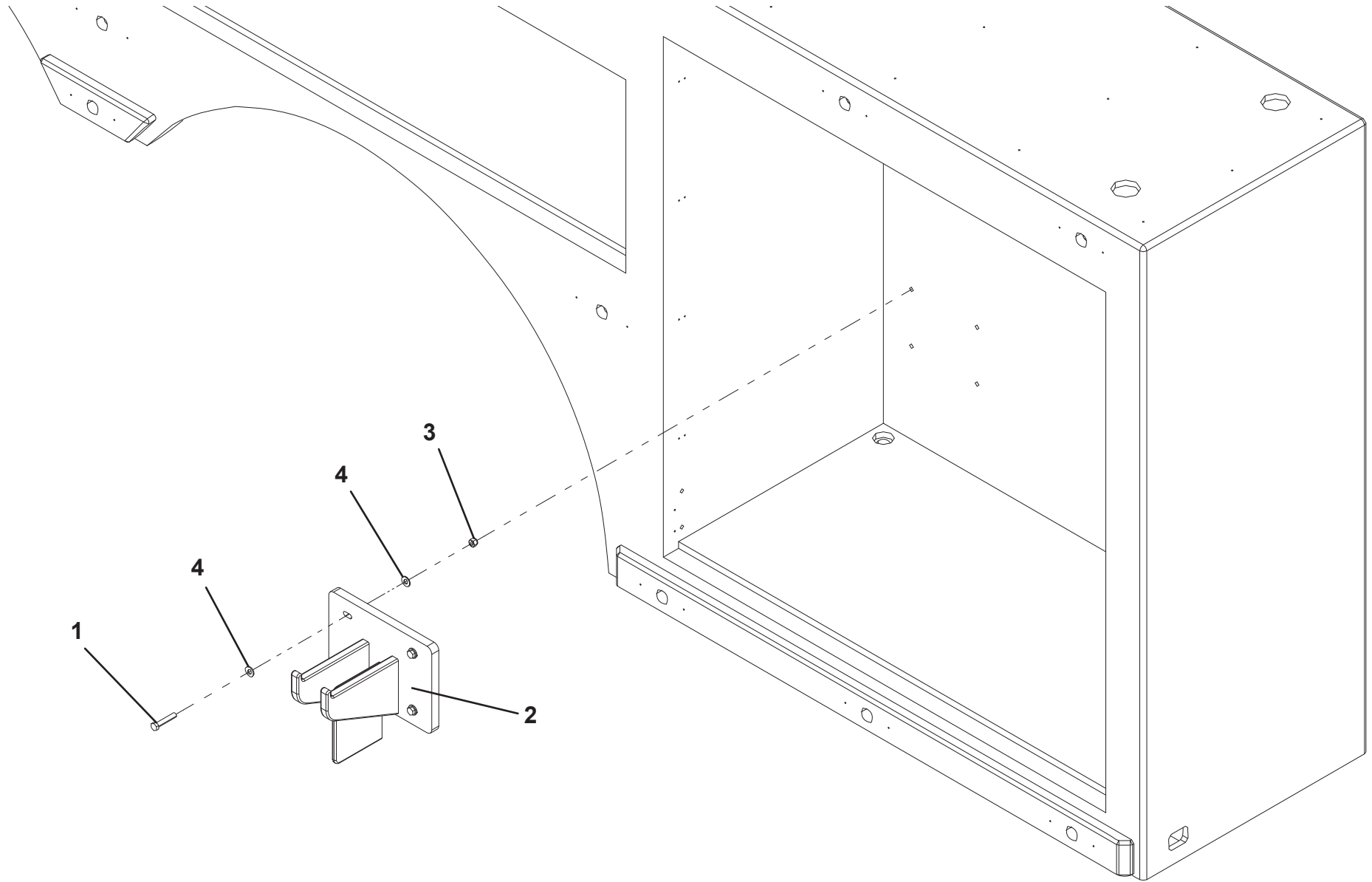
FRAME FORK STORAGE INSTALLATION



FORK RISER STORAGE INSTALLATION

ITEM	PART NO.	DESCRIPTION	QTY	REV
	1001195788	Fork Riser Storage Installation	Ref	B
1	1001169083	Screw, 0.38"-16 x 2.00"	4	
2	1001190926	Bracket	1	
3	7660162601	Locknut, 0.25"-20	4	
4	7950160143	Flatwasher, 0.38" ID	8	

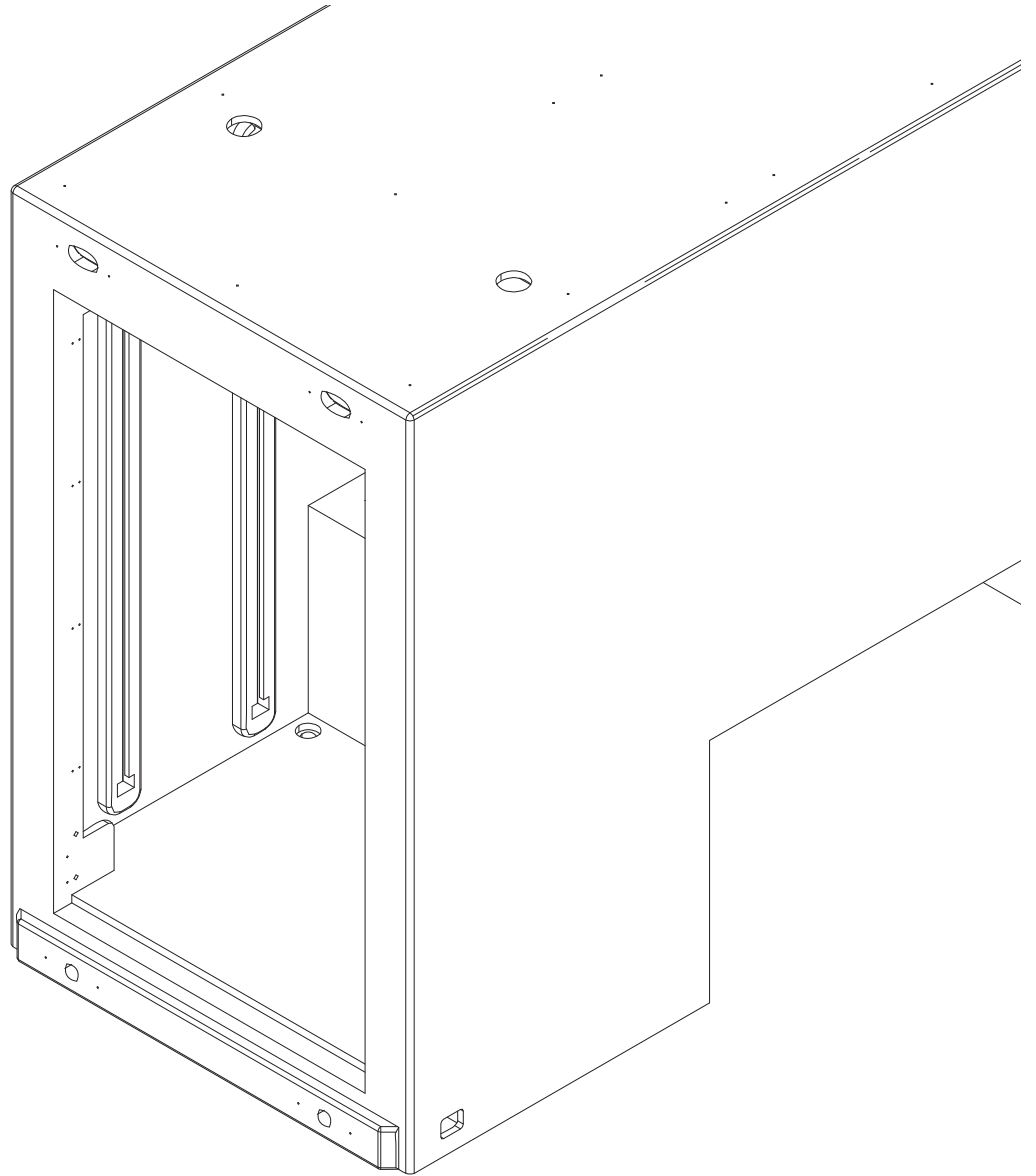
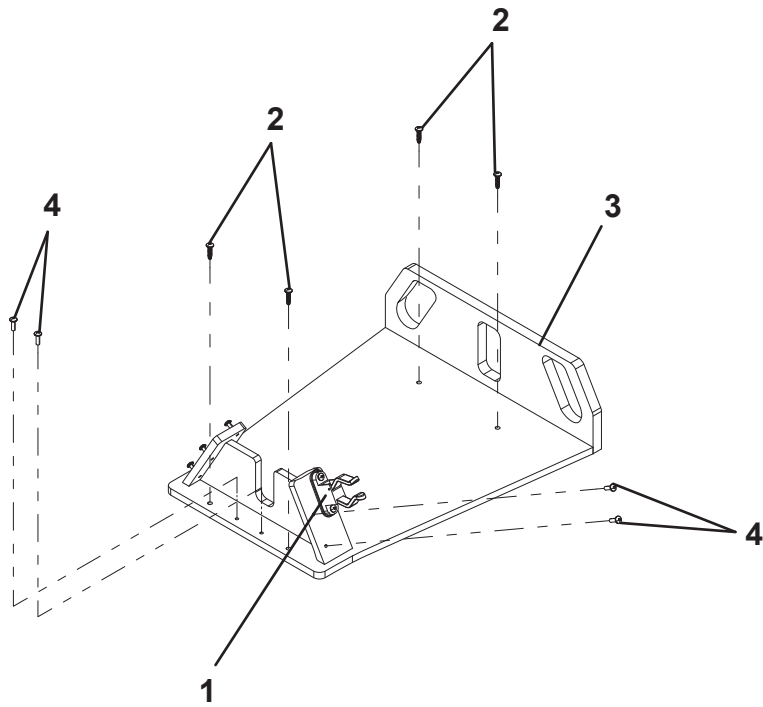
FORK RISER STORAGE INSTALLATION



GRIZZLY BAR STORAGE

ITEM	PART NO.	DESCRIPTION	QTY	REV
	1001214175	Grizzly Bar Storage	Ref	A
1	1001175059	Clamp	5	
2	1001195523	Screw, 0.25" x 1.00"	4	
3	1001201916	Bracket	1	
4	1001209657	Screw, #12 x 0.75"	10	

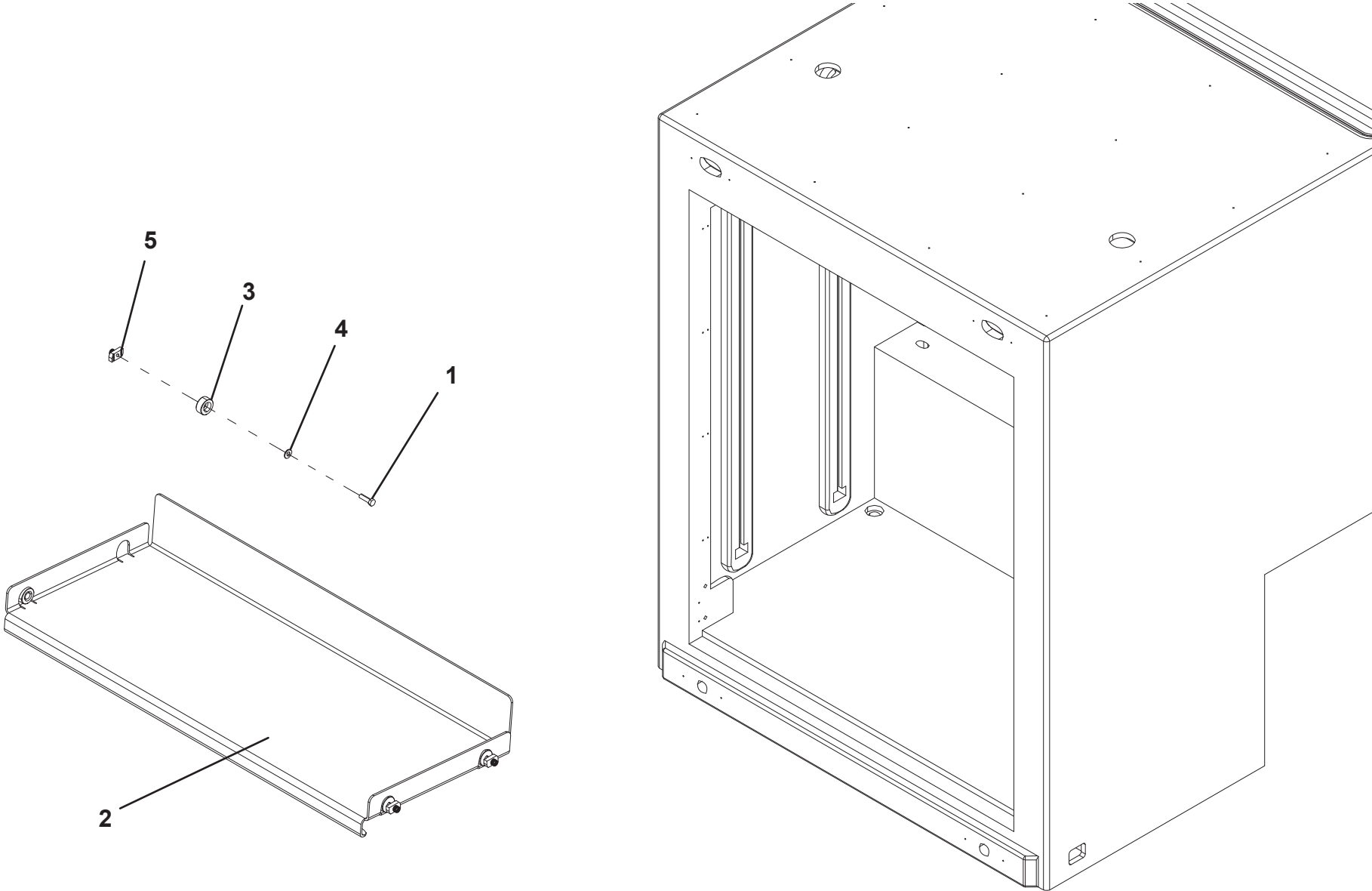
GRIZZLY BAR STORAGE



AIR BAG STORAGE SHELF 49" TUNNEL TOOLBOX

ITEM	PART NO.	DESCRIPTION	QTY	REV
	1001214264	Air Bag Storage Shelf 49" Tunnel Toolbox	Ref	A
1	1001169080	Screw, 0.38"-16 x 1.25"	8	
2	1001190364	Panel	2	
3	1001190579	Mount	8	
4	7950160143	Flatwasher, 0.38" ID	8	
5	1001166644	Nut, 0.38"-16	8	

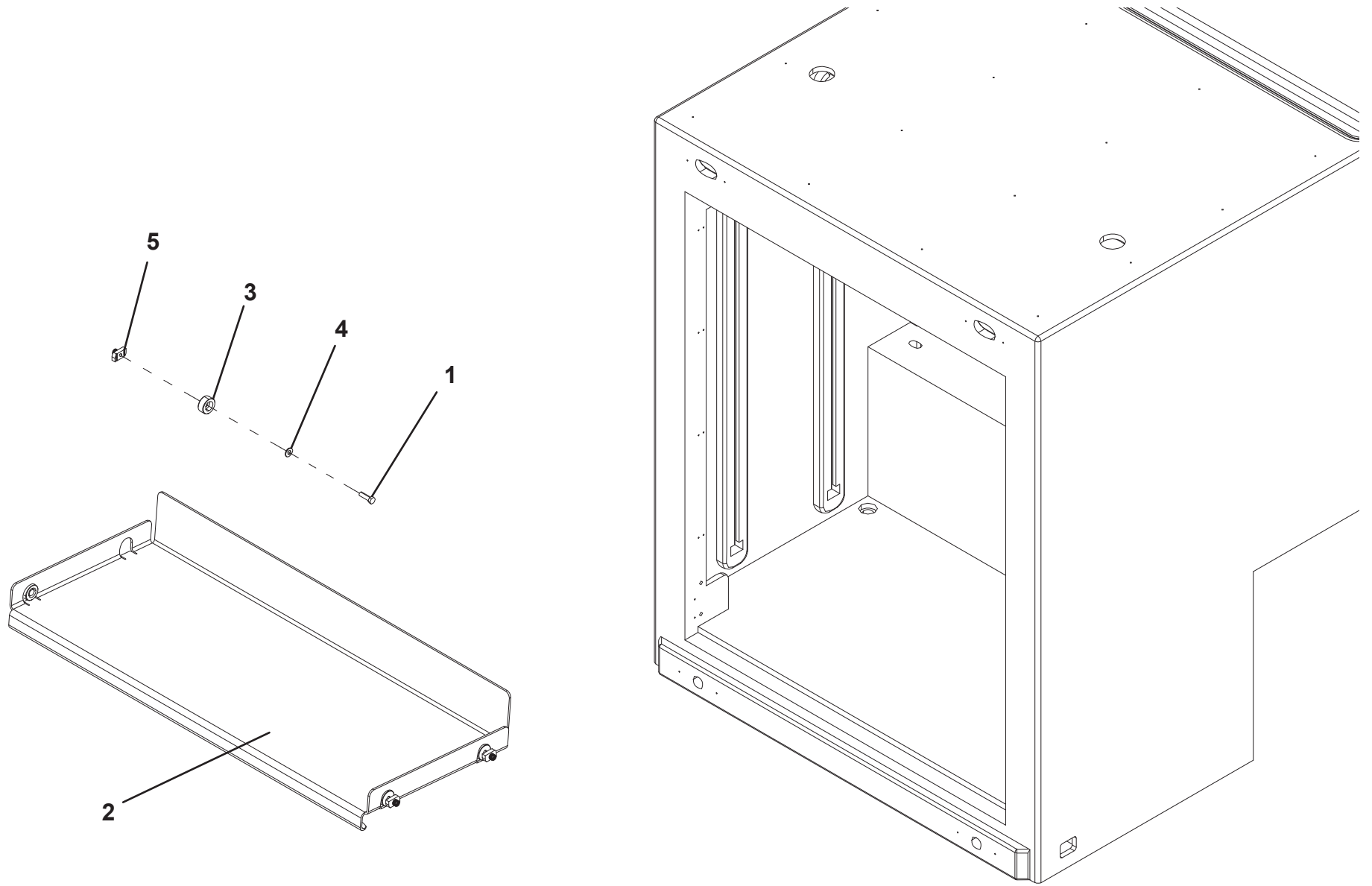
AIR BAG STORAGE SHELF 49" TUNNEL TOOLBOX



AIR BAG STORAGE SHELF 37" TUNNEL TOOLBOX

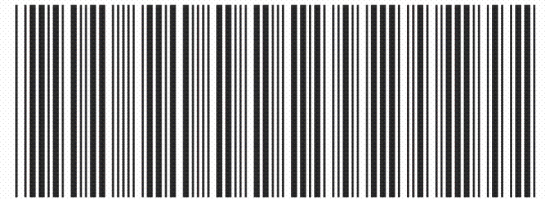
ITEM	PART NO.	DESCRIPTION	QTY	REV
	1001214298	Air Bag Storage Shelf 37" Tunnel Toolbox	Ref	A
1	1001169080	Screw, 0.38"-16 x 1.25"	8	
2	1001190579	Panel	8	
3	1001190954	Mount	2	
4	7950160143	Flatwasher, 0.38" ID	8	
5	1001166644	Nut, 0.38"-16	8	

AIR BAG STORAGE SHELF 37" TUNNEL TOOLBOX





Phone (800) 926-9666



5376000171- A