

HDR 1000 HEAVY DUTY ROTATOR COMPOSITE BODY PARTS MANUAL

JERR-DAN[®]

An Oshkosh Corporation Company

13224 Fountainhead Plaza
Hagerstown, MD 21742
Phone (717) 597-7111
www.jerr-dan.com

5-376-000164
Rev 1 - Dec 1, 2014

© 2014 Jerr-Dan Corporation. All Rights Reserved

This manual covers the following Jerr-Dan Models:

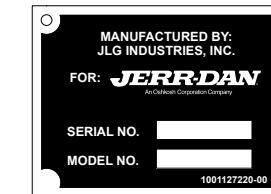
HDR1000 50 Ton Rotator

Jerr-Dan Corporation strives to provide information that is accurate, complete and useful. Descriptions and illustrative material contained within this manual are as accurate as known at the time of publication and are subject to change, without notice, as a result of continuous product improvements. Jerr-Dan reserves the right to amend the information in this document at any time without prior notice.

Information contained in this manual reflects how this vehicle was built at the factory. Modifications or additions by the distributor or owner are not reflected in this manual.

This parts manual does not include service parts information for the commercial chassis (IHC, Ford, GM, etc.). That information is provided by the chassis manufacturer.

When ordering parts, please refer to your unit's Serial Number and Model Number. This information is be found on the aluminum tag riveted to the inside of the driver's side rear compartment of the main body.



Additional or replacement manuals can be ordered by calling Jerr-Dan Parts at 717-597-7111. Price and availability will be quoted at time of the request.

Please report comments and/or errors by contacting Jerr-Dan Corporation's Technical Publications Department by e-mail at technicalpublications@jerr-dan.com or by FAX on 717-485-7162.

Manufactured under one or more of the following patents: 5,575,606; 5,672,042; 5,697,741; 5,713,714; 5,722,810; 5,782,596; 5,839,775 and 6,315,515 B1 with other Patents Pending.

Jerr-Dan and the Jerr-Dan logo are registered trademarks and Run Hard is a service mark of Jerr-Dan Corporation, Hagerstown, MD USA.

The material in this document is confidential and the property of Jerr-Dan Corporation. No part of this document may be photocopied, Reproduced or translated to another language without the express written consent of Jerr-Dan Corporation.

THIS PAGE INTENTIONALLY LEFT BLANK

TABLE OF CONTENTS

Subframe Installation.....	8	Auxiliary Winch Installation.....	94
Hydraulic Tube Installation - 9 Section.....	10	Auxiliary Winch Cable Tie-Back Installation.....	96
Hydraulic Tube Installation - 11 Section.....	14	DP Winch 20K - Motor End Installation.....	98
Hydraulic Tank Installation.....	18	DP Winch 20K - Drum Installation.....	100
Hydraulic Tank Assembly - 1001127996.....	20	DP Winch 20K - Gear End Installation.....	102
Oil Tank Cooler - 1001151763.....	22	DP Winch 20K - Input Shaft Installation.....	104
S100 Outrigger/Stabilizer Installation - 1001129409 - Standard.....	24	DP Winch 20K - Base Mount Installation.....	106
S130 Outrigger/Stabilizer Installation - 1001179155 - Extended.....	26	DP Winch 20K - Gear End Cover Installation.....	108
Outrigger/Stabilizer Lift Cylinder - 1001127311.....	28	Underlift Boom Installation - 30,000/35,000 LB.....	110
Outrigger/Stabilizer Assembly - Standard.....	30	Underlift Lift Cylinder Assembly - 7320000040.....	112
Outrigger/Stabilizer Assembly - Extended.....	32	Underlift Boom Installation - 53,000/56,500 LB.....	114
Outrigger/Stabilizer Extension Cylinder - 1001127312.....	34	Underlift Lift Cylinder Assembly - 7320000063.....	116
Outrigger/Stabilizer Extension Cylinder - 1001179132.....	36	Underlift Installation - 30,000/35,000 LB.....	118
Rear Spade Installation.....	38	Underlift Tilt Cylinder Assembly - 7320000039.....	120
Spade Cylinder Assembly - 7320000006.....	40	Underlift Assembly - 3170000433 - 30,000 LB.....	122
Tail Board D-Ring Installation.....	42	Underlift Extension Cylinder Assembly - 7320000076.....	124
Slew Bearing Installation.....	44	Underlift Assembly - 3170000220 - 35,000 LB.....	126
Slew Drive Installation.....	46	Underlift Extension Cylinder Assembly - 7320000042.....	128
Swivel Installation.....	48	Underlift Installation - 53,000/56,500 LB.....	130
Swivel Assembly, Hydraulic/Electric - 1001129628.....	50	Underlift Tilt Cylinder Assembly - 7320000096.....	132
TurnTable Installation.....	52	Underlift Assembly - 3507100001 - 53,000 LB.....	134
House Lock Installation.....	54	Underlift Extension Cylinder Assembly - 7320000026.....	136
Wrecker Boom Installation - 3 Piece.....	60	Underlift Assembly - 3170000407 - 56,500 LB.....	138
Wrecker Boom Installation - 3 Piece W/ Auxiliary Winches.....	62	Underlift Extension Cylinder Assembly - 7320000068.....	140
Wrecker Boom Lift Cylinder - 1001127313.....	64	Drag Winch Installation.....	142
Wrecker Boom Assembly - 3 Piece.....	66	DP Winch 35K - Cable Winch Drum Installation.....	144
Wrecker Boom Assembly - 3 Piece W/ Auxiliary Winches.....	68	DP Winch 35K - Gear End Installation.....	146
Extension Cylinder assembly - 7320000085.....	70	DP Winch 35K - Input Shaft Installation.....	148
Winch Installation - 2 Speed 50K Ramsey.....	72	DP Winch 35K - Base Mount Installation.....	150
Ramsey 50K Winch - 1001128323 & 1001129495.....	74	DP Winch 35K - Gear End Cover Installation.....	152
Ramsey Winch Cable Tensioner Assembly - 70050360.....	76	DP Winch - Motor End Installation.....	154
Winch Installation - 2 Speed 50K Dp.....	78	DP Winch - Cable Hold Down Kit.....	156
DP Winch 50K - Motor End Installation.....	80	Trailer Auxiliary Installation.....	158
DP Winch 50K - Drum Installation.....	82	Underlift Tools - Frame Forks.....	160
DP Winch 50K - Gear End Installation.....	84	Underlift Tools - 14,000 LB Tire Lift.....	162
DP Winch 50K - Input Shaft.....	86	Underlift Tools - 25,000 LB Tire Lift.....	164
DP Winch 50K - Base Mount Installation.....	88	Underlift Tools - Fifth Wheel Attachment.....	166
DP Winch 50K - Gear End Cover Installation.....	90	Underlift Tools - Pintle Hook.....	168
DP Winch 50K - Cable Hold Down Kit.....	92	Crosstube Installation.....	170

TABLE OF CONTENTS

Rear Body Installation.....	172	Headboard Assembly - 1001150180.....	290
Mid Body Installation.....	174	Headboard Installation - 1001150422.....	292
Body Panel Assembly - Rear LH.....	176	Wing Light Installation - 1001129862.....	294
Body Panel Assembly - Rear RH.....	178	Lightbar 72" LED - WHELEN.....	296
Body Panel Assembly - Mid LH.....	180	Upper Hook-Up Lights Installation.....	298
Body Panel Assembly - Mid RH.....	182	Lower Hook-Up Lights Installation.....	300
Body Door And Hardware Assembly - Rear LH.....	184	Upper Work Lights Installation.....	302
Body Door And Hardware Assembly - Rear RH.....	186	Wrecker Boom Lights Installation.....	304
Body Door And Hardware Assembly - Mid LH.....	188	Outrigger Light Installation.....	306
Body Door And Hardware Assembly - Mid RH.....	190	Underlift Light Installation.....	308
49" Tunnel Tool Compartment Installation.....	192	Decal Installation.....	310
49" Tunnel Tool Compartment Panel Assembly.....	194	Hydraulic Schematic.....	314
49" Tunnel Tool Compartment Door and Hardware Assembly.....	196	Air Schematic.....	319
49" Tunnel Tool Compartment Fender Flare Assembly.....	198	Part Number Index.....	320
Fender Flare Installation.....	200		
Mudflap Installation.....	202		
Tool Holder Bracket Installation.....	204		
25K Tire Lift Storage Brackets For 49" Tunnel Tool Compartment.....	206		
Under Tool Compartment Drawer Installation.....	210		
Under Tool Compartment Drawer Assembly.....	212		
Body Lighting & Wiring Installation.....	214		
Back-Up Alarm Installation.....	224		
Hydraulic Installation.....	226		
Controls Installation - 9 Section.....	240		
Controls Installation - 11 Section.....	246		
Valve Assembly, 9 Section - 1001130287.....	252		
Valve Assembly, 9 Section - 1001127671.....	254		
Control Valve - 9 Section - 1001131131.....	256		
Valve Assembly, 11 Section - 1001157109.....	260		
Valve Assembly, 11 Section - 1001127327.....	262		
Control Valve - 11 Section - 1001157093.....	264		
Outrigger Controls Installation.....	268		
CS24 Series PTO Installation.....	272		
82 Series PTO Installation.....	274		
Wireless Remote Installation.....	276		
Air Installation.....	278		
Air Valve - 1001129800.....	282		
M-Plex Electrical Installation.....	284		
Emergency Stop Installation.....	288		

TABLE OF CONTENTS

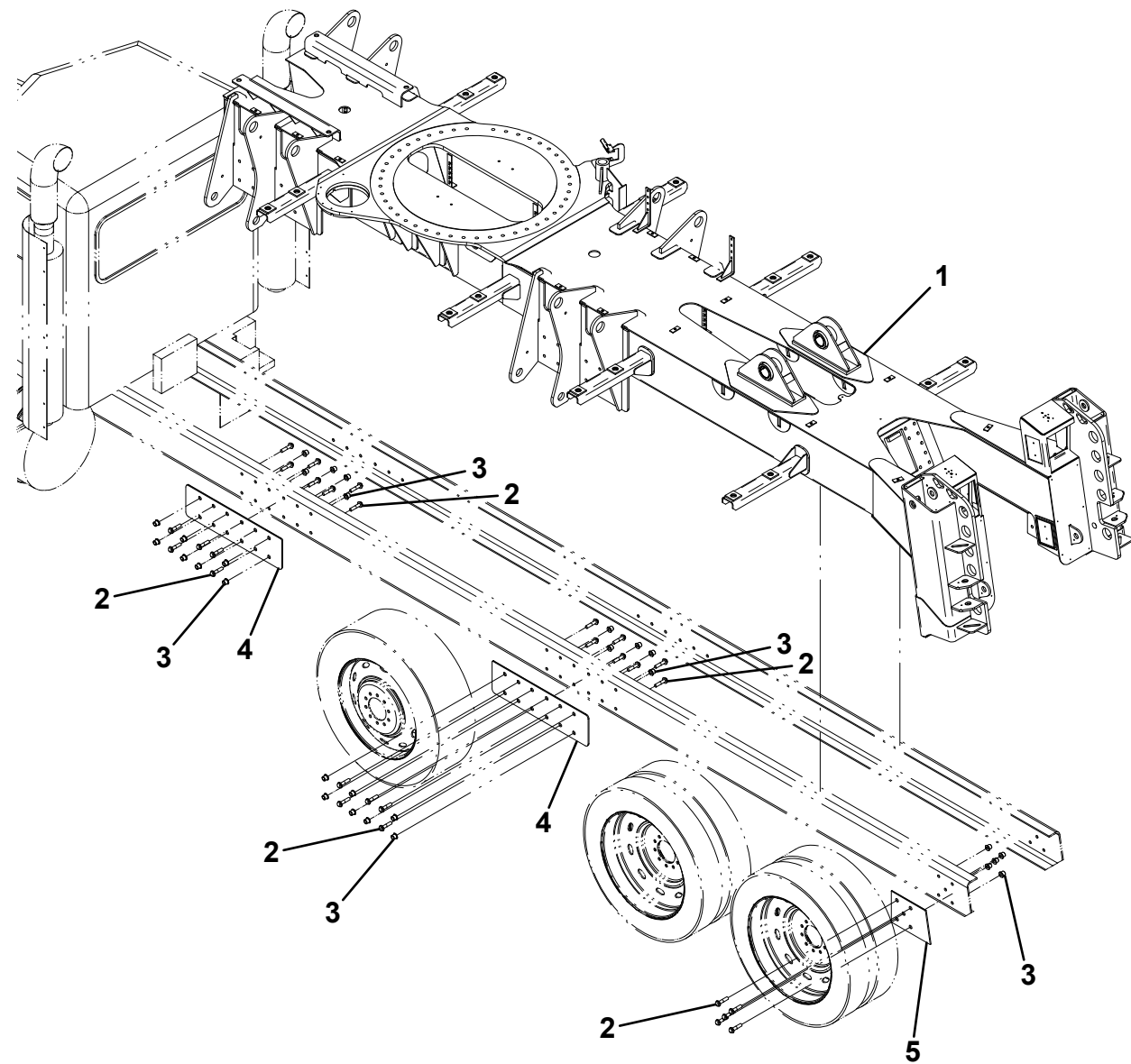
THIS PAGE INTENTIONALLY LEFT BLANK

SUBFRAME INSTALLATION

ITEM	PART NO.	DESCRIPTION	QTY
1	1001135645	Frame Weldment	1
2	7120000062	Huck Bolt, 0.75" Dia x 1.50-2.00"	58
3	7293000006	Huck Collar, 0.75	58
4	1001129777*	Shim	4
5	1001129778*	Shim	2

* Also Available In Shim Kit - 1001129786

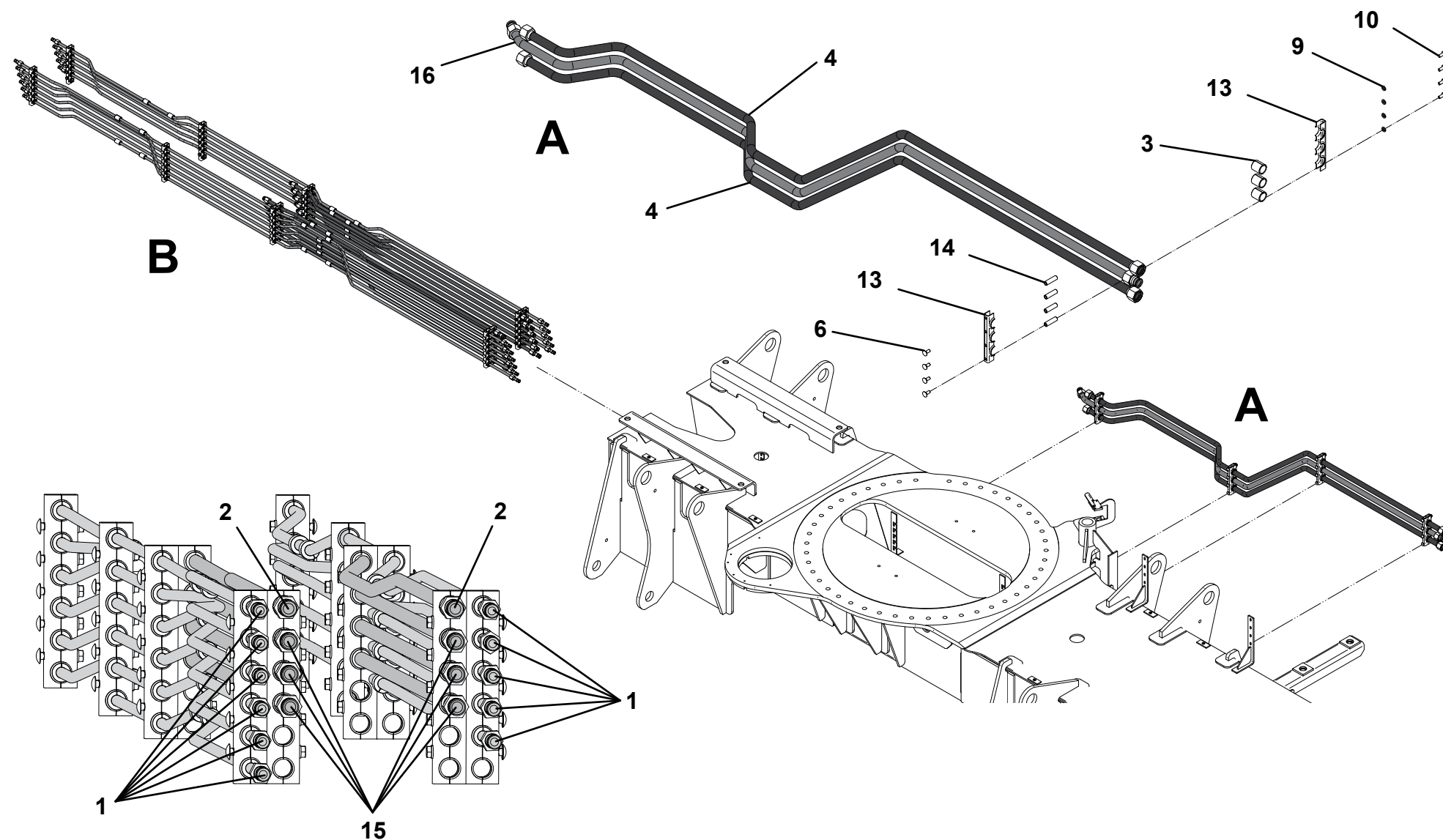
SUBFRAME INSTALLATION



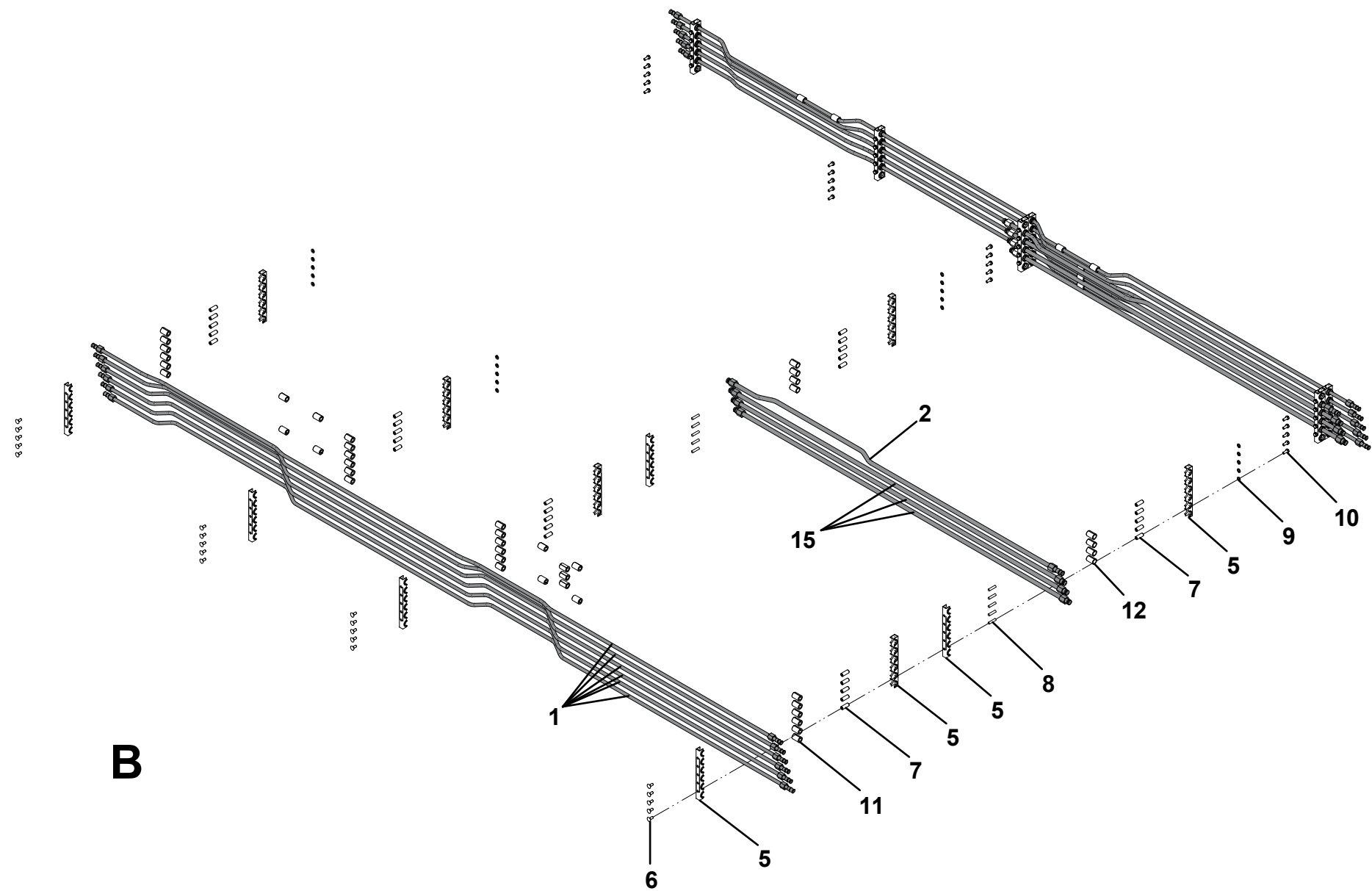
HYDRAULIC TUBE INSTALLATION - 9 SECTION

ITEM	PART NO.	DESCRIPTION	QTY
1	1001134739	Pipe, Tube Assembly	11
2	1001134740	Pipe, Tube Assembly	2
3	7209000033	Bushing	12
4	1001130395	Pipe, Tube Assembly	2
5	7274000030	Clamp Assembly	12
6	7115150664	Bolt, 0.31"-18NC x 0.75"	52
7	7661000022	Stacking Nut	60
8	7007000036	Thread Adapter	20
9	7950150000	Lockwasher, 0.31" ID	56
10	7115150650	Capscrew, 0.31"-18NC x 0.75"	56
11	7209000023	Bushing	62
12	7209000024	Bushing	16
13	7274000088	Clamp Assembly	4
14	7661000027	Stacking Nut	16
15	1001133571	Pipe, Tube Assembly	6
16	1001158142	Pipe, Tube Assembly	1

HYDRAULIC TUBE INSTALLATION - 9 SECTION



HYDRAULIC TUBE INSTALLATION - 9 SECTION



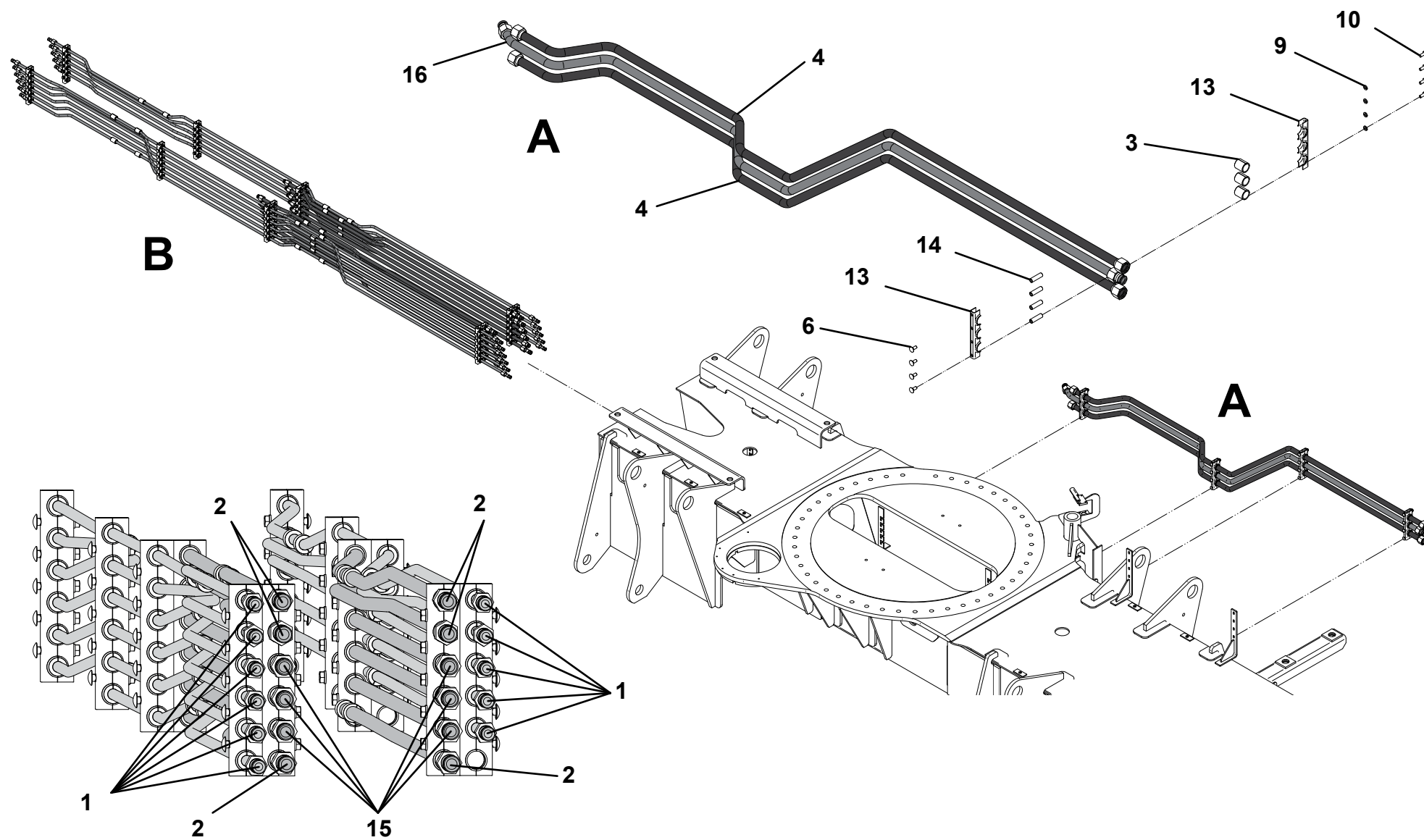
HYDRAULIC TUBE INSTALLATION - 9 SECTION

THIS PAGE INTENTIONALLY LEFT BLANK

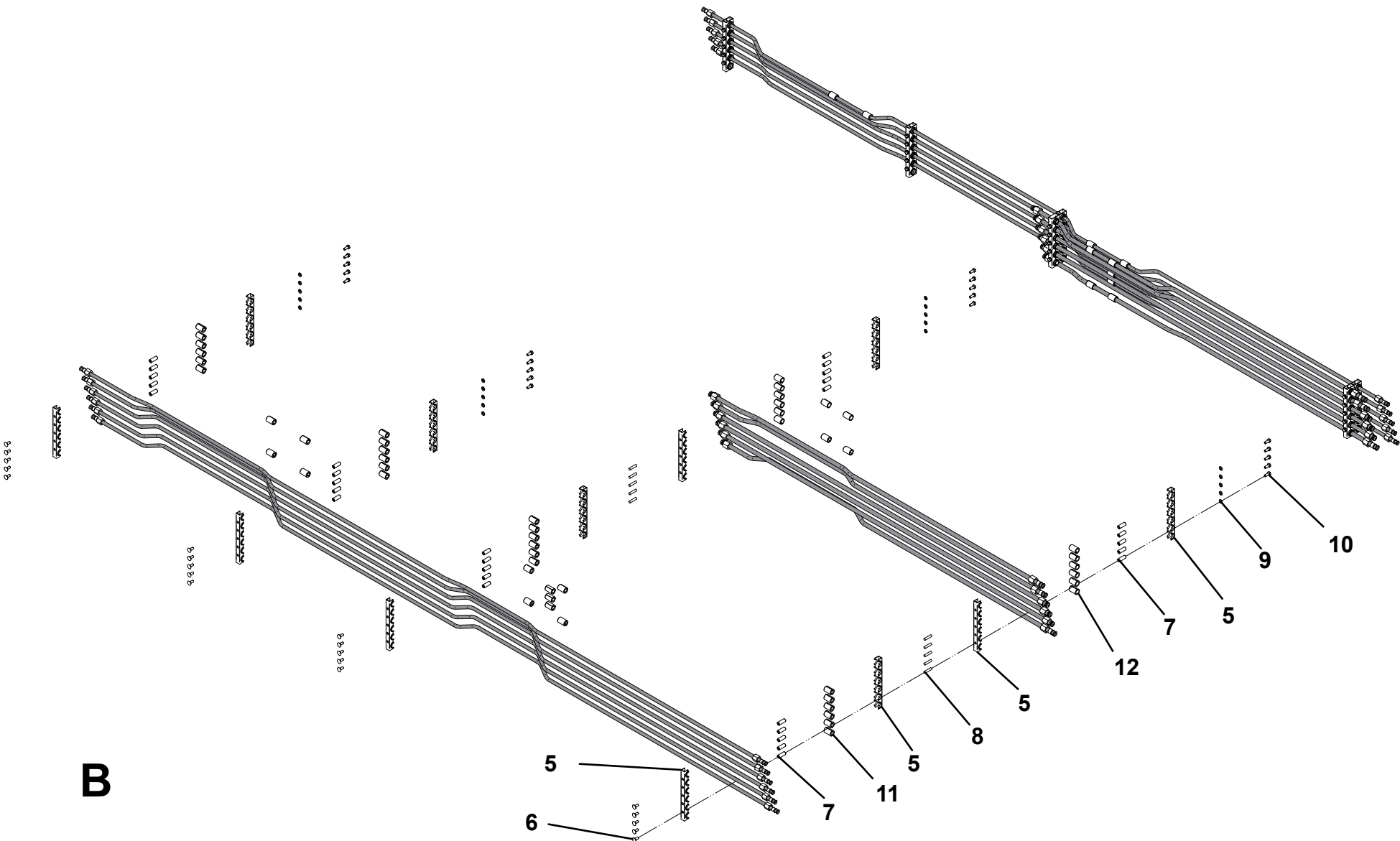
HYDRAULIC TUBE INSTALLATION - 11 SECTION

ITEM	PART NO.	DESCRIPTION	QTY
1	1001134739	Pipe, Tube Assembly	11
2	1001134740	Pipe, Tube Assembly	6
3	7209000033	Bushing	12
4	1001130395	Pipe, Tube Assembly	2
5	7274000030	Clamp Assembly	12
6	7115150664	Bolt, 0.31"-18NC x 0.75"	52
7	7661000022	Stacking Nut	60
8	7007000036	Thread Adapter	20
9	7950150000	Lockwasher, 0.31" ID	56
10	7115150650	Capscrew, 0.31"-18NC x 0.75"	56
11	7209000023	Bushing	62
12	7209000024	Bushing	32
13	7274000088	Clamp Assembly	4
14	7661000027	Stacking Nut	16
15	1001133571	Pipe, Tube Assembly	6
16	1001158142	Pipe, Tube Assembly	1

HYDRAULIC TUBE INSTALLATION - 11 SECTION



HYDRAULIC TUBE INSTALLATION - 11 SECTION



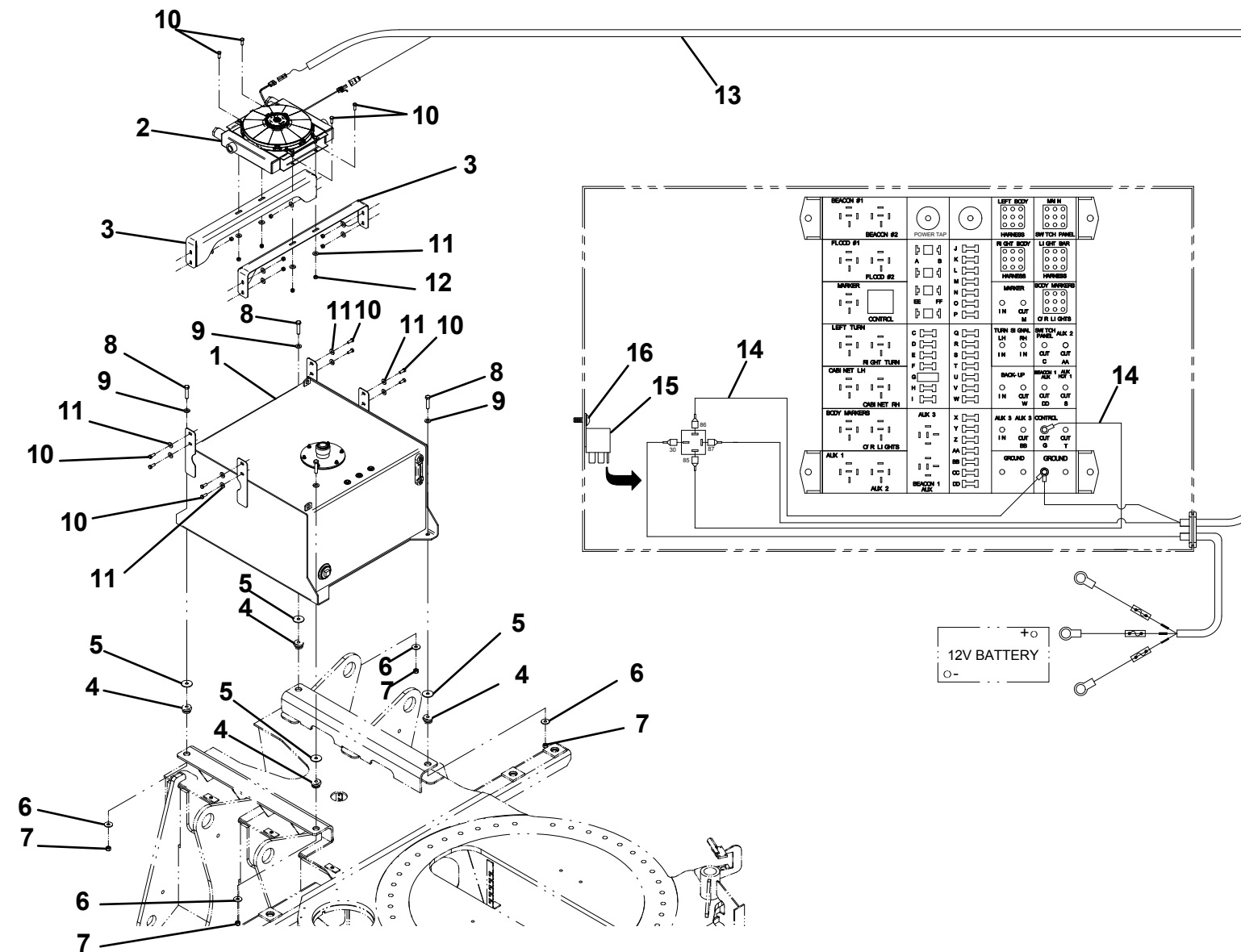
HYDRAULIC TUBE INSTALLATION - 11 SECTION

THIS PAGE INTENTIONALLY LEFT BLANK

HYDRAULIC TANK INSTALLATION

ITEM	PART NO.	DESCRIPTION	QTY
1	1001127996	Tank, Hydraulic	1
2	1001127315	Radiator, Remote Oil Cooler - NPT	1
	1001151763	Radiator, Remote Oil Cooler - O-Ring	
3	1001130437	Mount, Hydraulic Oil Cooler	2
4	7663000006	Mount, Center Bonded	4
5	7949000015	Washer, Head	4
6	7949000016	Washer, Tail	4
7	7660182601	Locknut, 0.50"-13NC	4
8	7115181850	Capscrew, 0.50"-13NC x 2.25"	4
9	7950180141	Flatwasher, 0.50" ID	4
10	7115160850	Capscrew, 0.38"-16NC x 1.00"	12
11	7950160161	Flatwasher, 0.38" ID	20
12	7660162601	Locknut, 0.38"-16NC	12
13	1001144068	Harness	1
14	1001144012	Harness	2
15	7740000003	Relay	1
16	7790100856	Screw, Self-Tapping, #10 x 0.50"	1

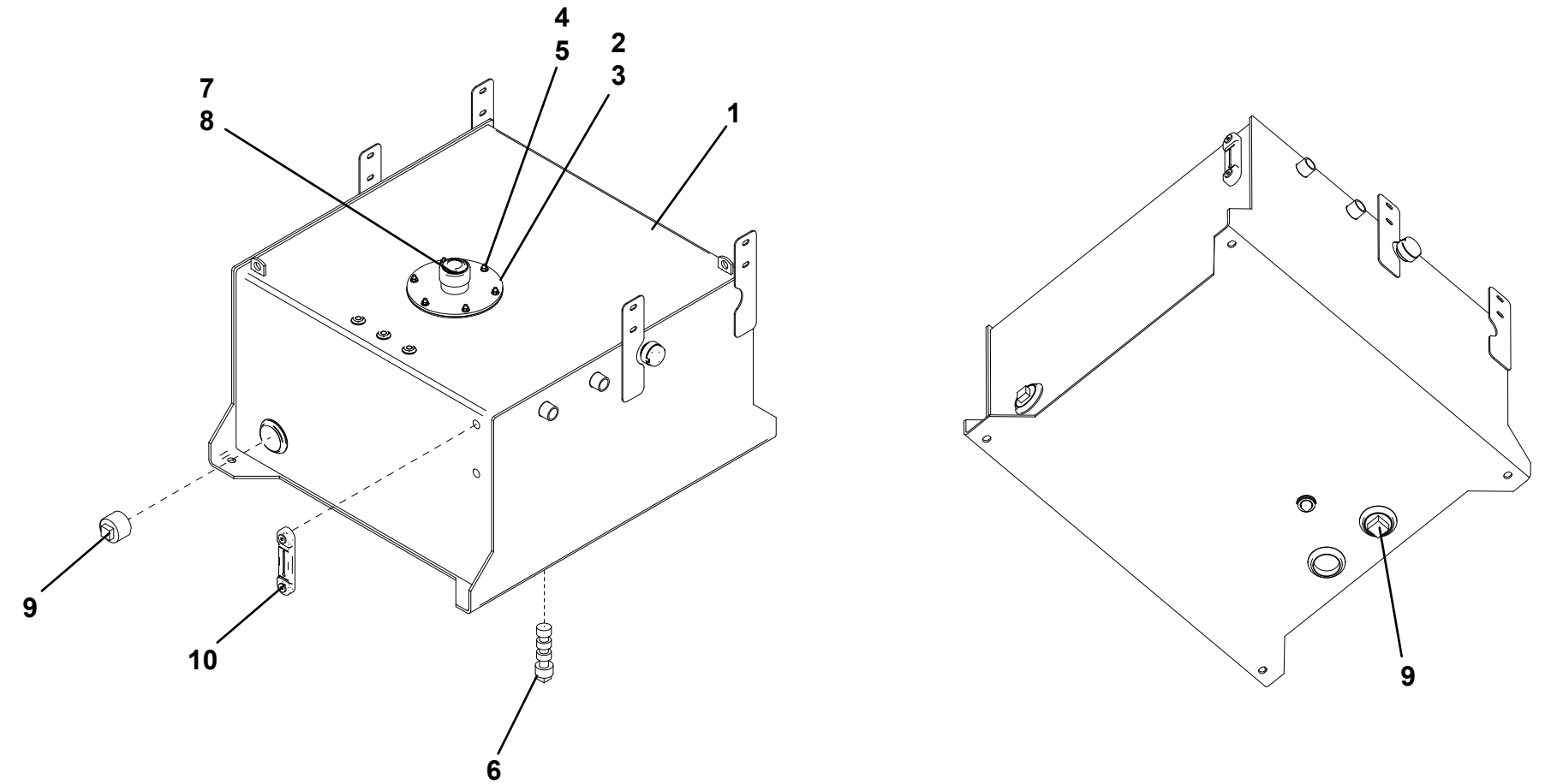
HYDRAULIC TANK INSTALLATION



HYDRAULIC TANK ASSEMBLY - 1001127996

ITEM	PART NO.	DESCRIPTION	QTY
1	70050386	Tank	1
2	70050387	Gasket	1
3	70050388	Cover Assembly	1
4	83304173	Washer, 0.25" ID	6
5	83304174	Nut, 0.25"	6
6	70050389	Magnetic Plug	1
7	7024445	Strainer	1
8	7024444	Vented Fill Cap	1
9	70050390	Plug	2
10	70050391	Sight Gauge	1

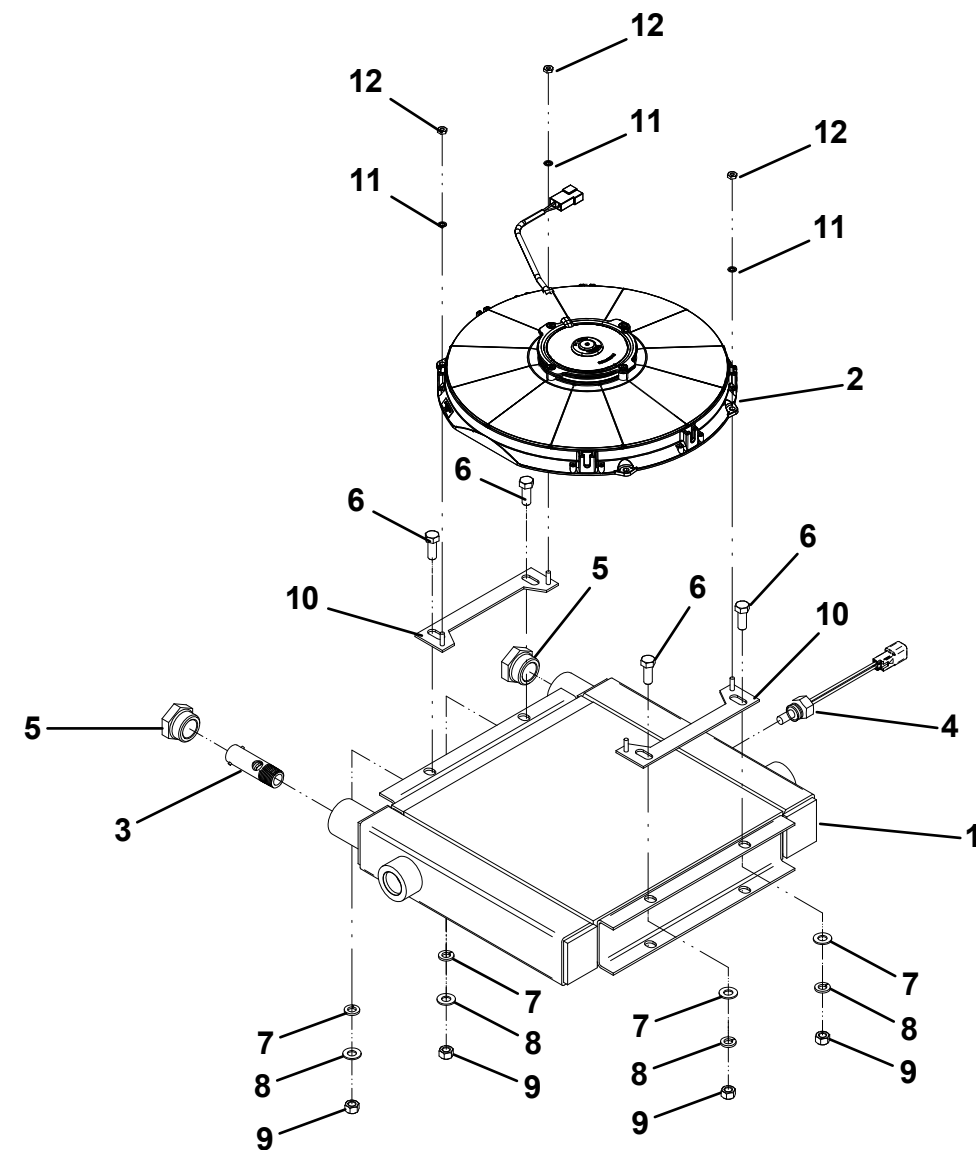
HYDRAULIC TANK ASSEMBLY - 1001127996



OIL TANK COOLER - 1001151763

ITEM	PART NO.	DESCRIPTION	QTY
1	70050273	Core, Cooler - NPT	1
	70050275	Core, Cooler - O-Ring	
2	70050276	Fan	1
3	70050277	Valve, Bypass Check	1
4	70050274	Switch, Temperature - NPT	1
	70050278	Switch, Temperature - O-Ring	
5	70050280	Plug	2
6	7115160850	Capscrew, 0.38"-16NC x 1.00"	4
7	7950160000	Lockwasher, 0.38" ID	4
8	7950160161	Flatwasher, 0.38" ID	4
9	7660160000	Nut, 0.38"-16NC	4
10	70050279	Bracket	2
11	70050281	Lockwasher, #10 ID	4
12	70050282	Locknut, #10	4

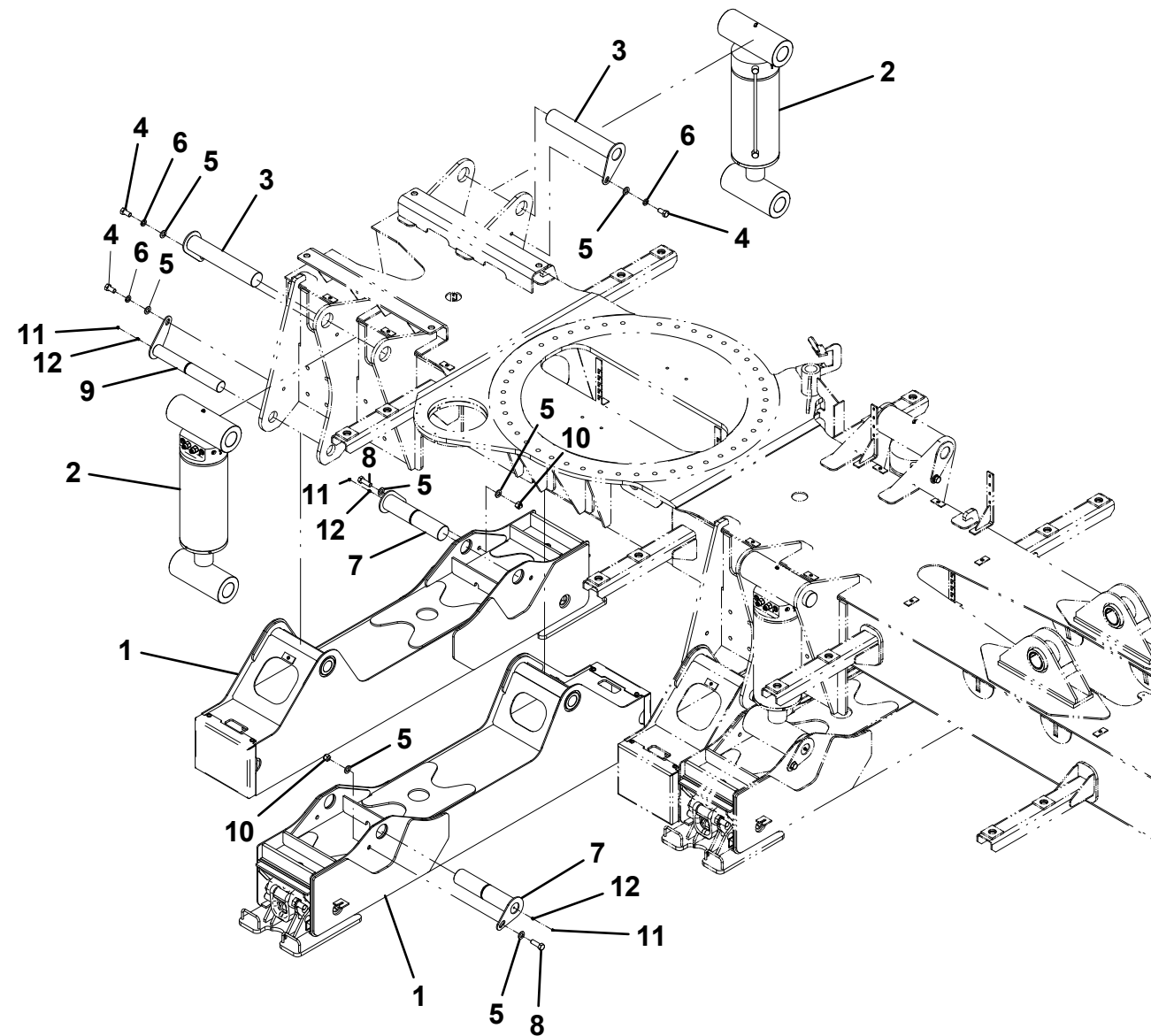
OIL TANK COOLER - 1001151763



S100 OUTRIGGER/STABILIZER INSTALLATION - 1001129409 - STANDARD

ITEM	PART NO.	DESCRIPTION	QTY
1	1001129405	Stabilizer Assembly	4
2	1001127311	Outrigger/Stabilizer Lift Cylinder Assembly	4
3	3691000227	Pin	4
4	0682212	Capscrew, 0.75"-10NC x 1.50"	8
5	7950220141	Flatwasher, 0.75" ID	16
6	7950220000	Lockwasher, 0.75" ID	8
7	1001129416	Pin	4
8	7118221850	Capscrew, 0.75"-10NC x 2.25"	4
9	3691000228	Pin	4
10	7660222601	Locknut, 0.75"-10NC	4
11	7253000002	Cap, Grease Fitting	8
12	7440000000	Grease Fitting	8

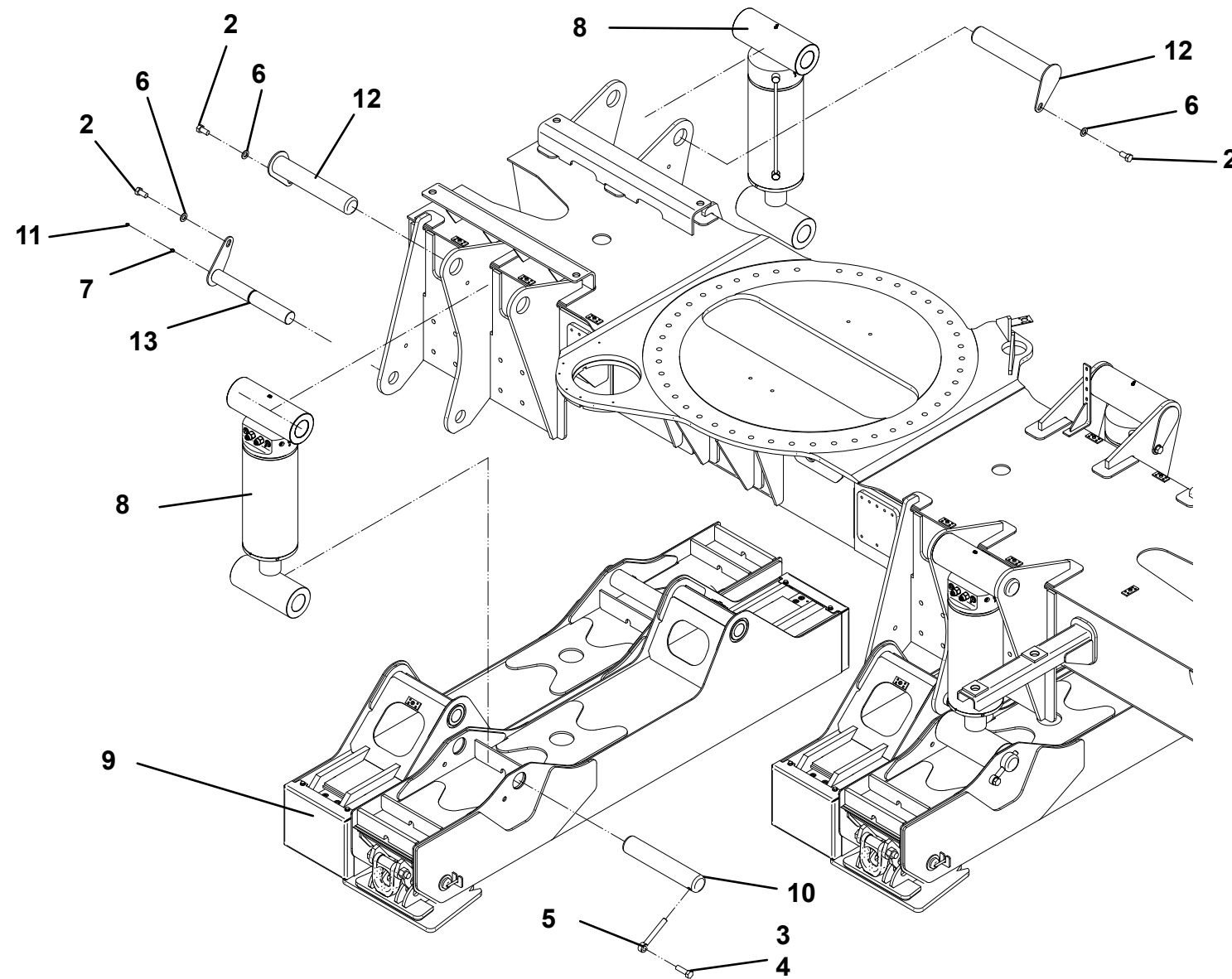
S100 OUTRIGGER/STABILIZER INSTALLATION - 1001129409 - STANDARD



S130 OUTRIGGER/STABILIZER INSTALLATION - 1001179155 - EXTENDED

ITEM	PART NO.	DESCRIPTION	QTY
1	100011	Loctite	A/R
2	682212	Bolt, 0.75"-10 X 1.50"	8
3	682220	Bolt, 0.75"-10 X 2.50"	4
4	3272201	Nut, 0.75"-10	4
5	3841287	Keeper Rod	4
6	4712200	Washer, 0.75" ID	8
7	88671001	Grease Fitting	4
8	1001127311	Cylinder	4
9	1001179131	Stabilizer - Extended	4
10	1001179153	Pin	4
11	7253000002	Grease Fitting Cap	4
12	3691000227	Pin	4
13	3691000228	Pin	4

S130 OUTRIGGER/STABILIZER INSTALLATION - 1001179155 - EXTENDED

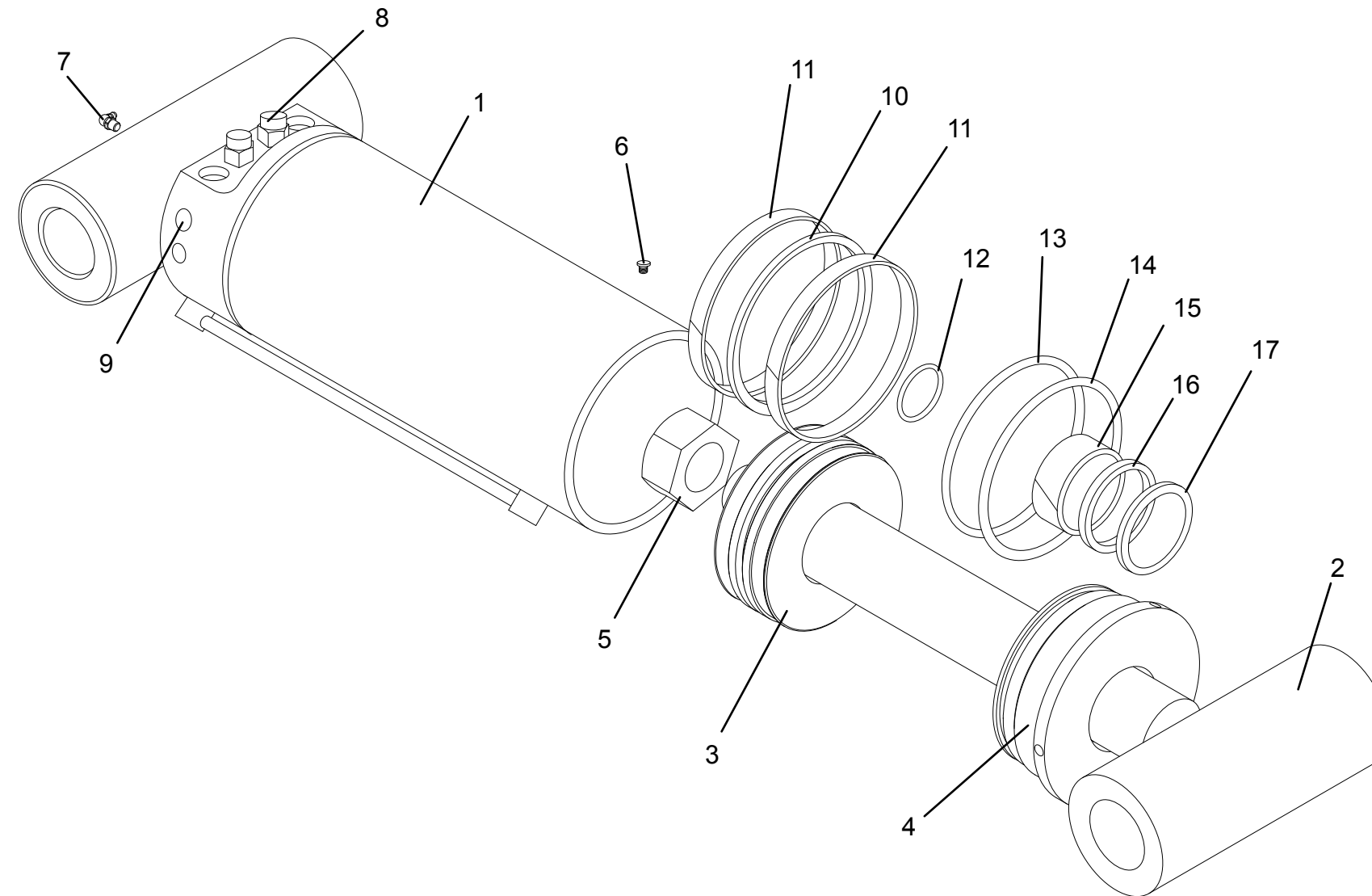


OUTRIGGER/STABILIZER LIFT CYLINDER - 1001127311

ITEM	PART NO.	DESCRIPTION	QTY
1	70050424	Barrel Assembly	1
2	70050425	Rod Assembly	1
3	70050430^	Piston	1
4	70050435*	Rod Bearing	1
5	90022234	Locknut, 2.25"-12UNF	1
6	7029760	Locking Screw	1
7	70022603	Grease Fitting	1
8	70050428	Counter Balance Valve	2
9	70022067	Steel SAE O-Ring Plug #4	4
10	70050432^#	Rectangular Piston Seal	1
11	70050434^#	Wear Ring, Piston	2
12	70050433^#	O-Ring	1
13	70050438*#	O-Ring	1
14	70050439*#	Backup Ring	1
15	70050440*#	Wear Ring	1
16	70050436*#	Rod Seal	1
17	90022282*#	Wiper	1

^ Items Sold in Piston Assembly - 70050426
 * Items Sold in Rod Bearing Assembly -70050427
 # Items Sold in Seal Kit - 70050431

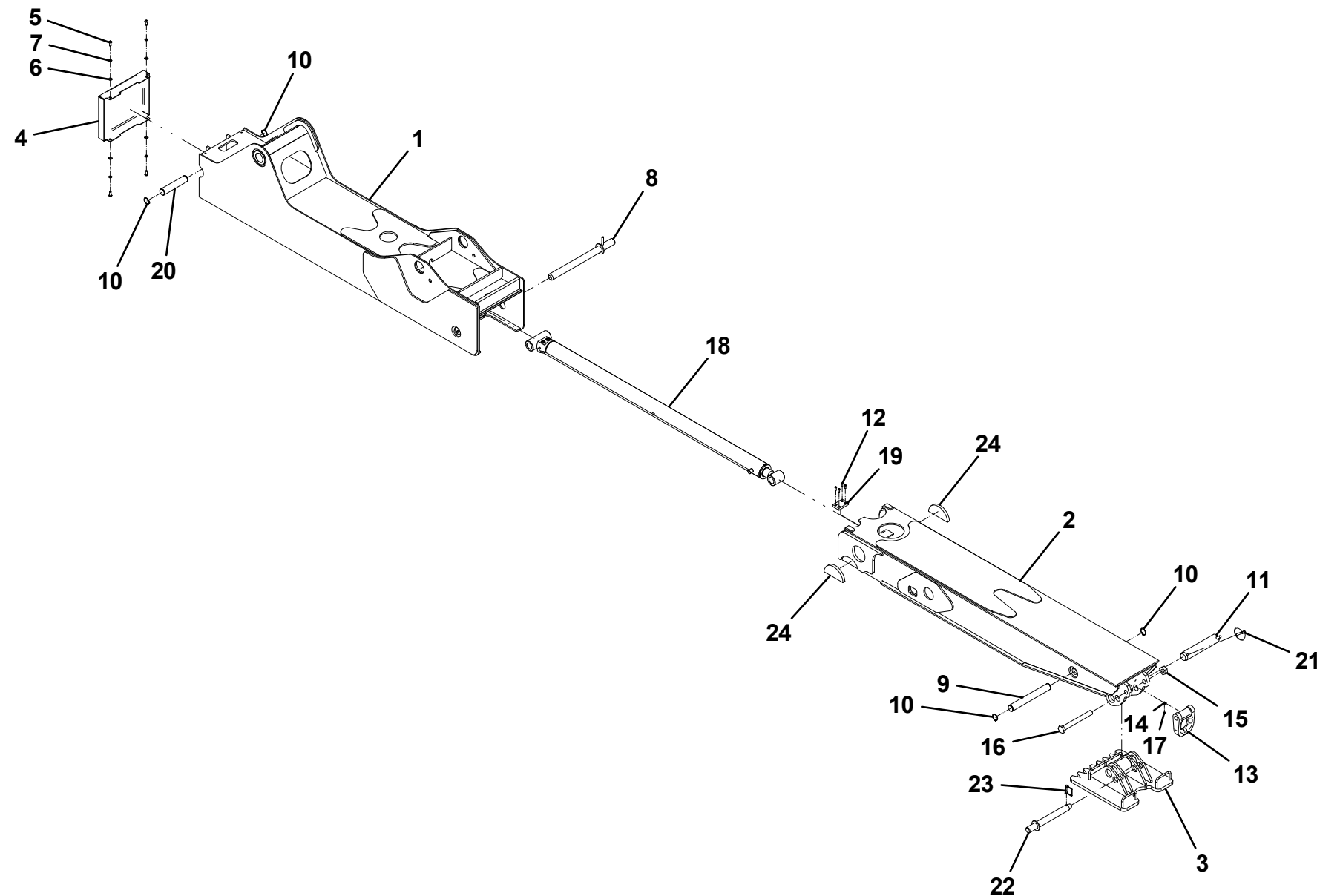
OUTRIGGER/STABILIZER LIFT CYLINDER - 1001127311



OUTRIGGER/STABILIZER ASSEMBLY - STANDARD

ITEM	PART NO.	DESCRIPTION	QTY
1	1001127918	Outer Stabilizer Weldment	1
2	1001135652	Inner Stabilizer Weldment	1
3	3706000348	Stabilizer Plate Weldment	1
4	1001129498	Cover Panel	1
5	7114160818	Capscrew, 0.38"-16NC x 1.00"	4
6	7950160141	Flatwasher, 0.38" ID	4
7	7950160000	Lockwasher, 0.38" ID	4
8	3691000247	Pin	1
9	1001129406	Pin	1
10	7754000058	Retaining Ring	4
11	3691000253	Pin	1
12	7114140618	Capscrew, 0.25"-20NC x 0.75"	4
13	4754000006	D-Ring	1
14	7440030400	Grease Fitting	1
15	7660262600	Locknut, 1.00"-8NC	1
16	1001154786	Capscrew, 1.00"-8NC x 9.00"	1
17	7253000002	Cap, Grease Fitting	1
18	1001127312	Outrigger/Stabilizer Extension Cylinder	1
19	4679000243	Pad	1
20	4691000489	Pin	1
21	1001003803	Pin	1
22	3691000223	Pin	1
23	7691000048	Pin	1
24	1001135667	Pad, Wear	2

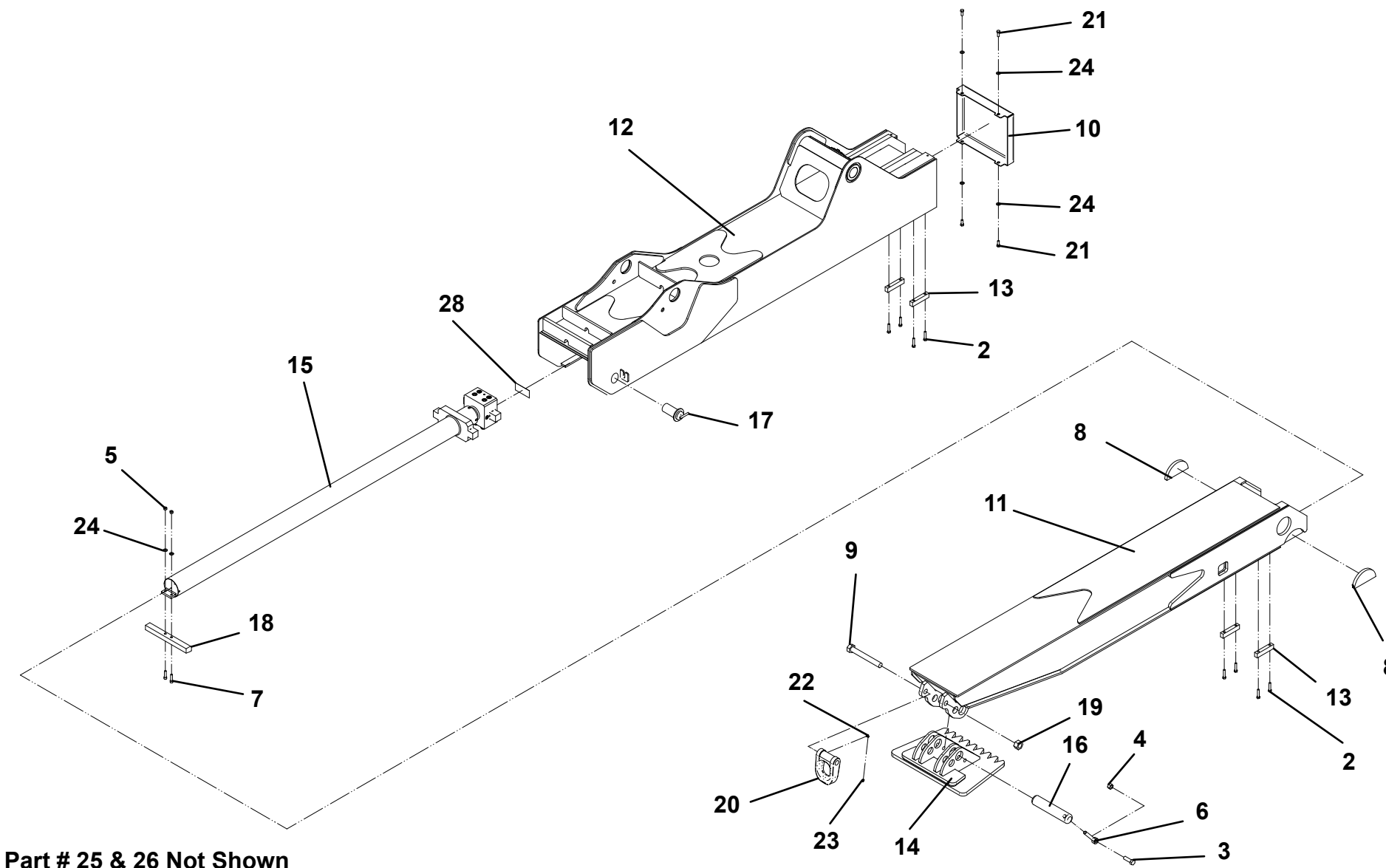
OUTRIGGER/STABILIZER ASSEMBLY - STANDARD



OUTRIGGER/STABILIZER ASSEMBLY - EXTENDED

ITEM	PART NO.	DESCRIPTION	QTY
1	100011	Loctite	A/R
2	641614	Screw, 0.375"-16 X 1.75"	8
3	682016	Screw, 0.625"-11 X 2.00"	1
4	3272001	Nut, 0.625"-11	1
5	3311605	Nut, 0.375"-16	2
6	3841258	Keeper	1
7	3931624	Screw, 0.375"-16 X 1.50"	2
8	1001135667	Pad	2
9	1001154786	Bolt, 1.00"-8 X 8.00"	1
10	1001178692	Panel	1
11	1001178865	Inner Stabilizer Weldment	1
12	1001178867	Outer Stabilizer Weldment	1
13	1001179003	Retainer	4
14	1001179129	Pad	1
15	1001179132	Outrigger/Stabilizer Extension Cylinder	1
16	1001179143	Pin	1
17	1001179160	Pad	1
18	1001179170	Pad	1
19	3272605001	Nut, 1.00"-8	1
20	4754000006	D-Ring	1
21	7114160850	Screw, 0.375"-16 X 1.00"	4
22	7253000002	Grease Cap	1
23	7440030400	Grease Fitting	1
24	7950160143	Washer, 0.38" ID	6
25	3691000223	Pin	1
26	7691000048	Snap Pin	1
27	3020029	Grease	A/R
28	1001158844	Decal	1

OUTRIGGER/STABILIZER ASSEMBLY - EXTENDED



OUTRIGGER/STABILIZER EXTENSION CYLINDER - 1001127312

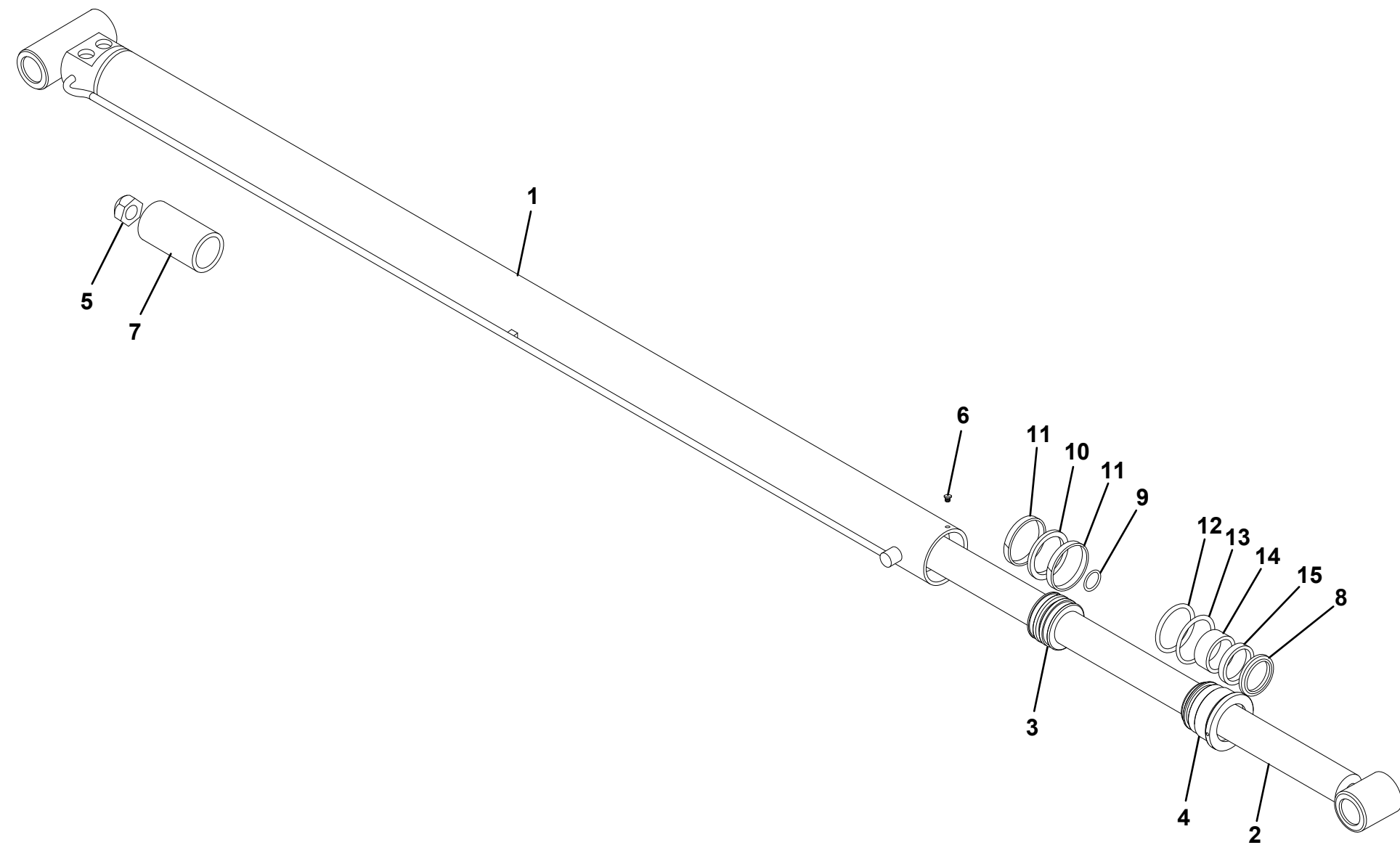
ITEM	PART NO.	DESCRIPTION	QTY
1	70050414	Barrel Weldment	1
2	70050437	Rod Weldment	1
3	70050445*	Piston	1
4	70050450^	Rod Bearing	1
5	91024100	Locknut, 1.00"-14NF	1
6	7029760	Screw, Locking	1
7	70050444	Stroke Limiter	1
8	91034051#^	Seal, Wiper	1
9	70050448#*	Seal, O-Ring	1
10	70050447#*	Seal, Piston	1
11	70050449#*	Wear Ring	2
12	70050439#^	Seal, O-Ring	1
13	70050438#^	Seal, Backup Ring	1
14	70050452#^	Wear Ring	1
15	70050451#^	Seal, Rod	1

* Items Sold in Piston Assembly - 70050441

^ Items Sold in Rod Bearing Assembly - 70050442

Items Sold in Seal Kit - 70050446

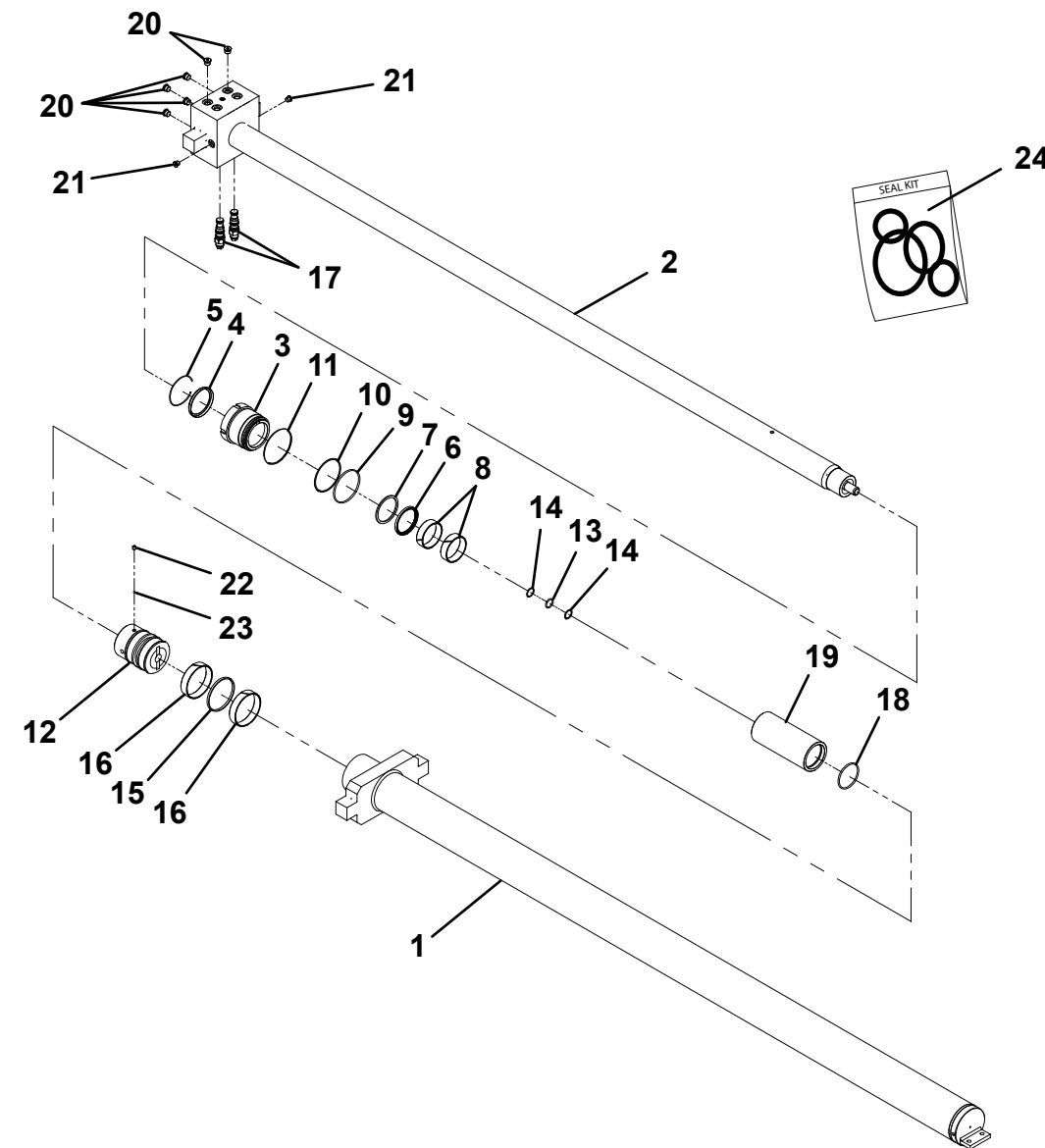
OUTRIGGER/STABILIZER EXTENSION CYLINDER - 1001127312



OUTRIGGER/STABILIZER EXTENSION CYLINDER - 1001179132

ITEM	PART NO.	DESCRIPTION	QTY
1	70050791	Barrel Weldment	1
2	70050792	Rod Weldment	1
3	70050793	Cap	1
4	70050794	Seal, Wiper	1
5	70050795	Retaining Ring	1
6	70050796	Seal, Rod	1
7	70050797	Seal, Backup Ring	1
8	70050798	Wear Ring	2
9	70050799	Seal, O-Ring	1
10	70050800	Ring, Backup	1
11	70050801	Seal, Ring	1
12	70050802	Piston	1
13	70050803	Seal, O-Ring	1
14	70050804	Ring, Backup	2
15	70050805	Seal, Piston	1
16	70050806	Wear Ring	2
17	70050807	Counter Balance	2
18	70050808	Seal, O-Ring	1
19	70050809	Spacer	1
20	70023371	Plug	6
21	70023370	Plug	2
22	70022563	Set Screw, M8 x 1.25	1
23	70022564	Steel Ball	1
24	70050810	Seal Kit	1

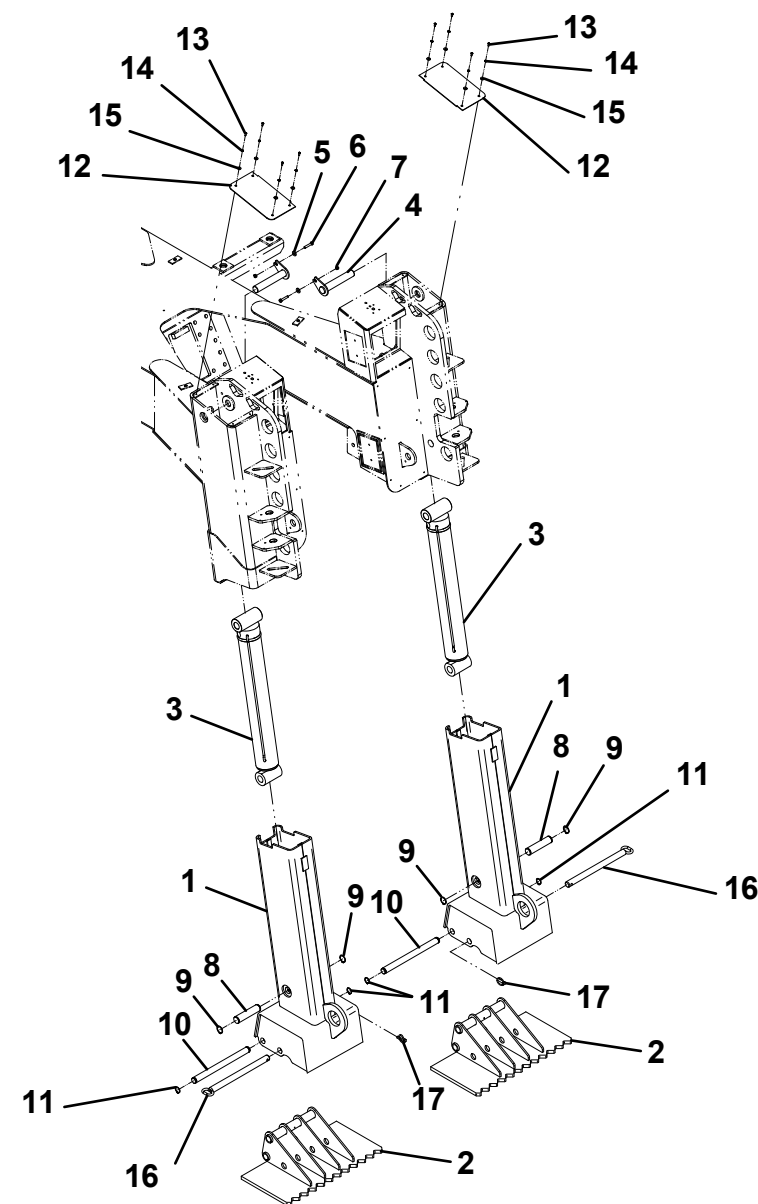
OUTRIGGER/STABILIZER EXTENSION CYLINDER - 1001179132



REAR SPADE INSTALLATION

ITEM	PART NO.	DESCRIPTION	QTY
1	3263000118	Channel Weldment	2
2	3706000261	Spade Claw Plate	2
3	7320000006	Spade Cylinder Assembly	2
4	3691000267	Pin	2
5	7950160161	Flatwasher, 0.38" ID	2
6	7115161650	Capscrew, 0.38"-16NC x 2.00"	2
7	7660162601	Locknut, 0.38"-16NC	2
8	7491000207	Pin"	2
9	7754000033	Retaining Ring	4
10	4691000200	Pin	2
11	7754000008	Retaining Ring	4
12	4706003716	Plate	2
13	7114140518	Capscrew, 0.25"-20NC x 0.63"	8
14	7949000025	Lockwasher 11MM ID	8
15	7950140153	Flatwasher, 0.25" ID	8
16	3691000126	Pin	2
17	7691000019	Lynch Pin	2

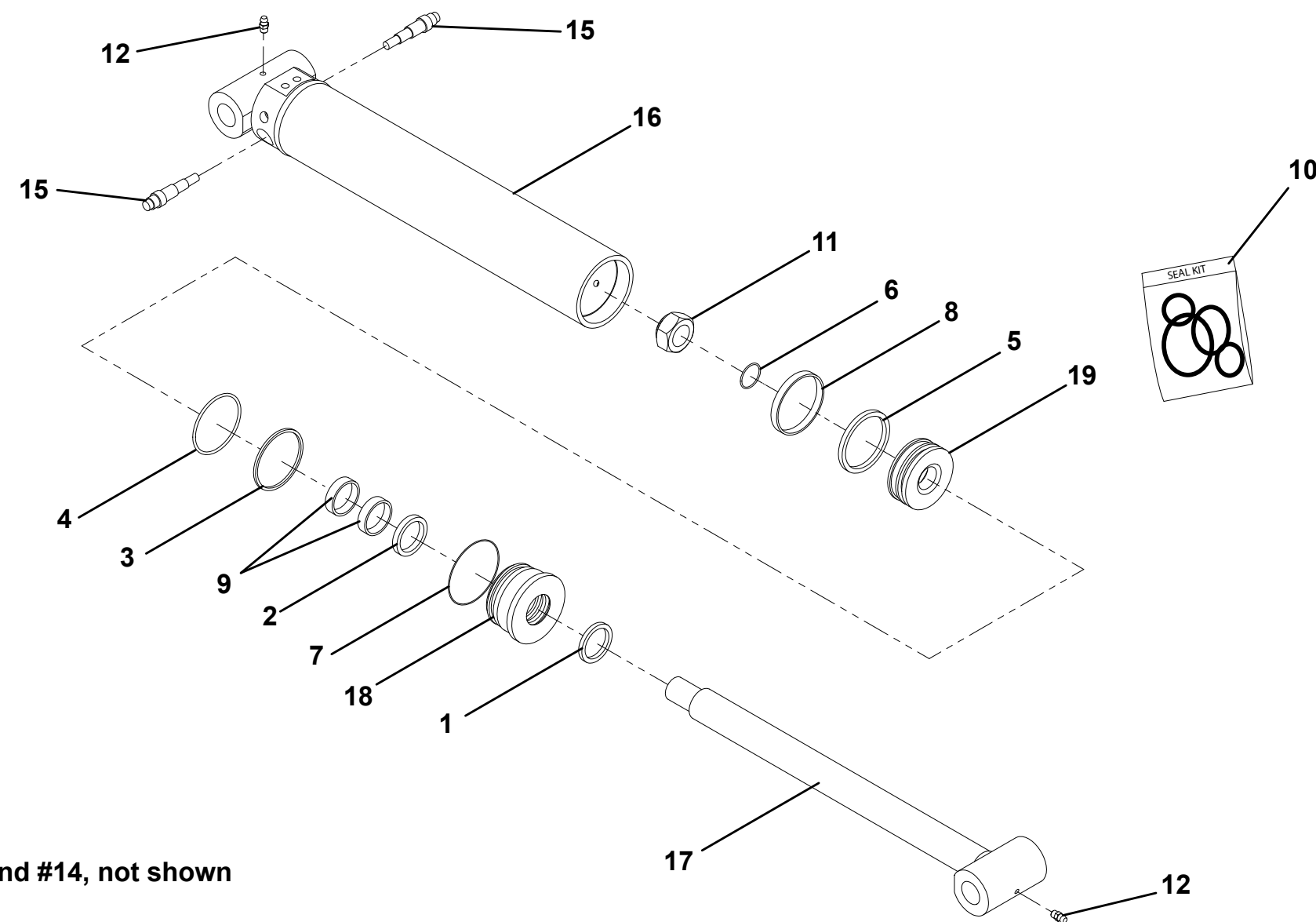
REAR SPADE INSTALLATION



SPADE CYLINDER ASSEMBLY - 732000006

ITEM	PART NO.	DESCRIPTION	QTY
1	9796250080	Seal, Wiper	1
2	7019828	Seal	1
3	9754250009	Ring, Back-up	1
4	9796250057	Seal, "O" Ring	1
5	9796250073	Seal	1
6	9796250061	Seal, "O" Ring	1
7	9796250066	Seal, "O" Ring	1
8	9724250014	Ring, Wear	1
9	9754250015	Ring, Wear	2
10	7577000167	Kit, Seal	1
11	7003212	Locknut	1
12	7005322	Grease Fitting	2
13	7005365	Plug, Port	2
14	70021648	Plug, Port	2
15	70050215	Valve, Counterbalance	2
16	9912250004	Assembly, Tube	1
17	9763250009	Assembly, Rod	1
18	9553250009	Head	1
19	70050531	Piston	1

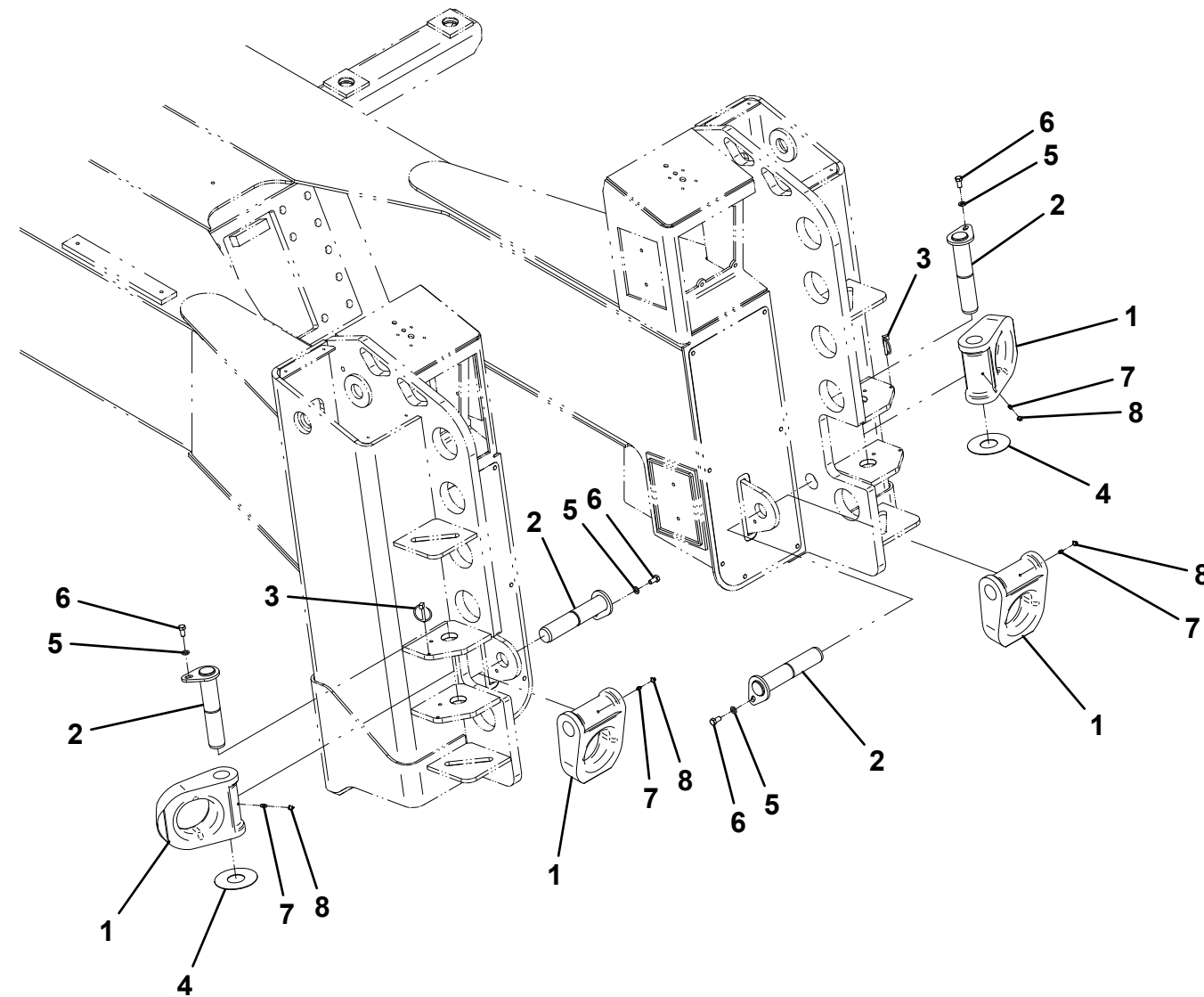
SPADE CYLINDER ASSEMBLY - 732000006



TAIL BOARD D-RING INSTALLATION

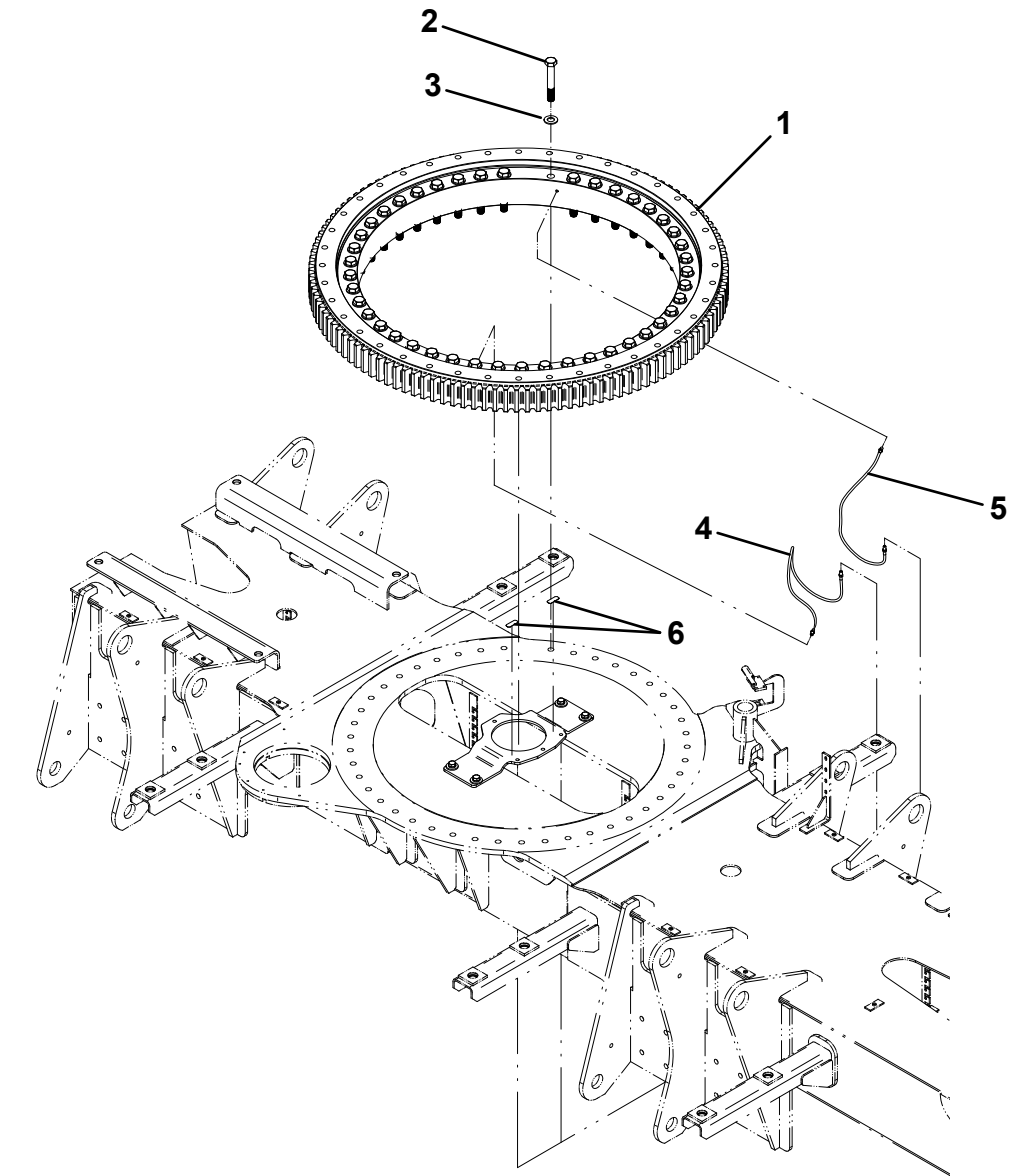
ITEM	PART NO.	DESCRIPTION	QTY
1	4754000004	D-Ring	4
2	3691000174	Pin	4
3	7691000047	Lynch Pin	2
4	4949000055	Washer, Nylatron	2
5	7115160650	Capscrew, 0.38"-16NC x 2.00"	4
6	7950160000	Lockwasher, 0.38" ID	4
7	7440030000	Grease Fitting	4
8	7253000002	Cap, Grease Fitting	4

TAIL BOARD D-RING INSTALLATION



SLEW BEARING INSTALLATION

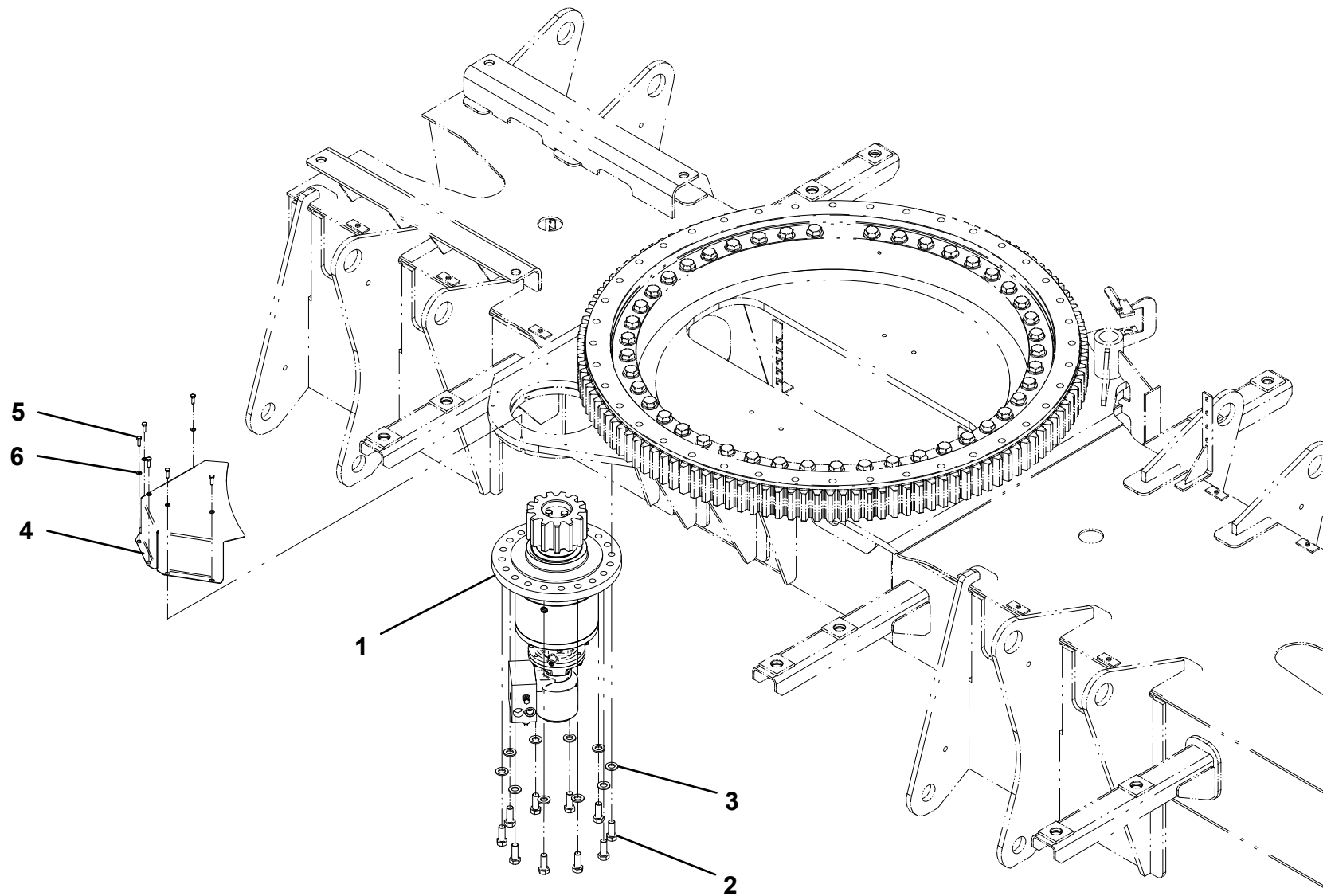
ITEM	PART NO.	DESCRIPTION	QTY
1	1001127316	Bearing	1
2	0682652	Capscrew, 1.00"-8NC x 6.50"	44
3	10701259	Flatwasher, 1.00" ID	44
4	1001136692	Hose, Grease	1
5	1001118961	Hose, Grease	1
6	1001131060	Decal, Bearing Grease	2

SLEW BEARING INSTALLATION

SLEW DRIVE INSTALLATION

ITEM	PART NO.	DESCRIPTION	QTY
1	1001127324	Motor, Planetary Gear Assembly	1
2	7118221650	Capscrew, 0.75"-10NC x 2.00"	10
3	7950220142	Flatwasher, 0.75" ID	10
4	1001130840	Cover	1
5	7115150850	Capscrew, 0.31"-18NC x 1.00"	6
6	7950150000	Lockwasher, 0.31" ID	6

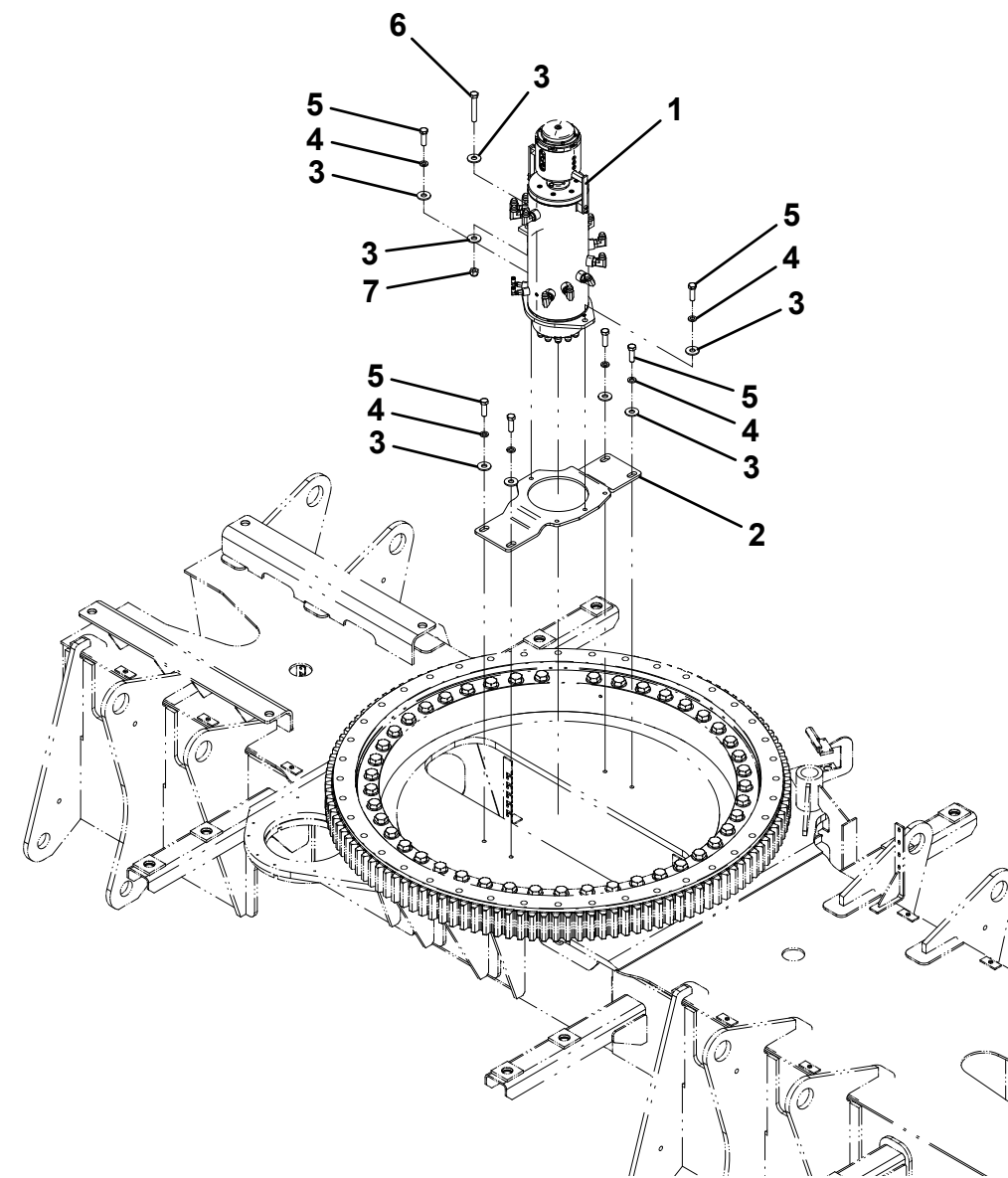
SLEW DRIVE INSTALLATION



SWIVEL INSTALLATION

ITEM	PART NO.	DESCRIPTION	QTY
1	1001129628	Swivel Assembly, Hydraulic/Electric	1
2	1001129987	Bracket	1
3	7950200161	Flatwasher, 0.63" ID	8
4	7950200000	Lockwasher, 0.63" ID	6
5	7115201650	Capscrew, 0.63"-11NC x 2.00"	6
6	7115203250	Capscrew, 0.63"-11NC x 4.00"	1
7	7660202601	Locknut, 0.63"-11NC	1

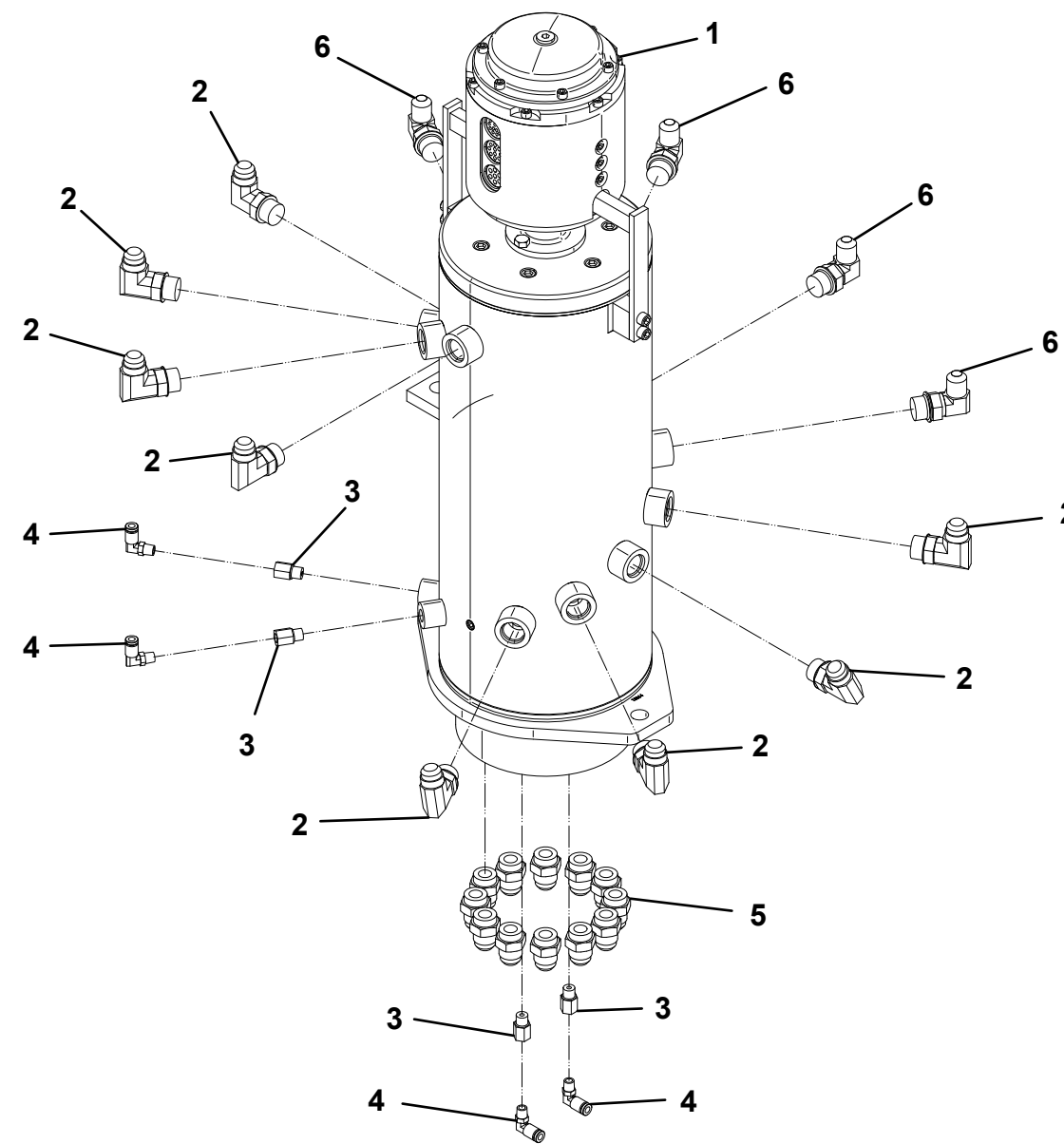
SWIVEL INSTALLATION



SWIVEL ASSEMBLY, HYDRAULIC/ELECTRIC - 1001129628

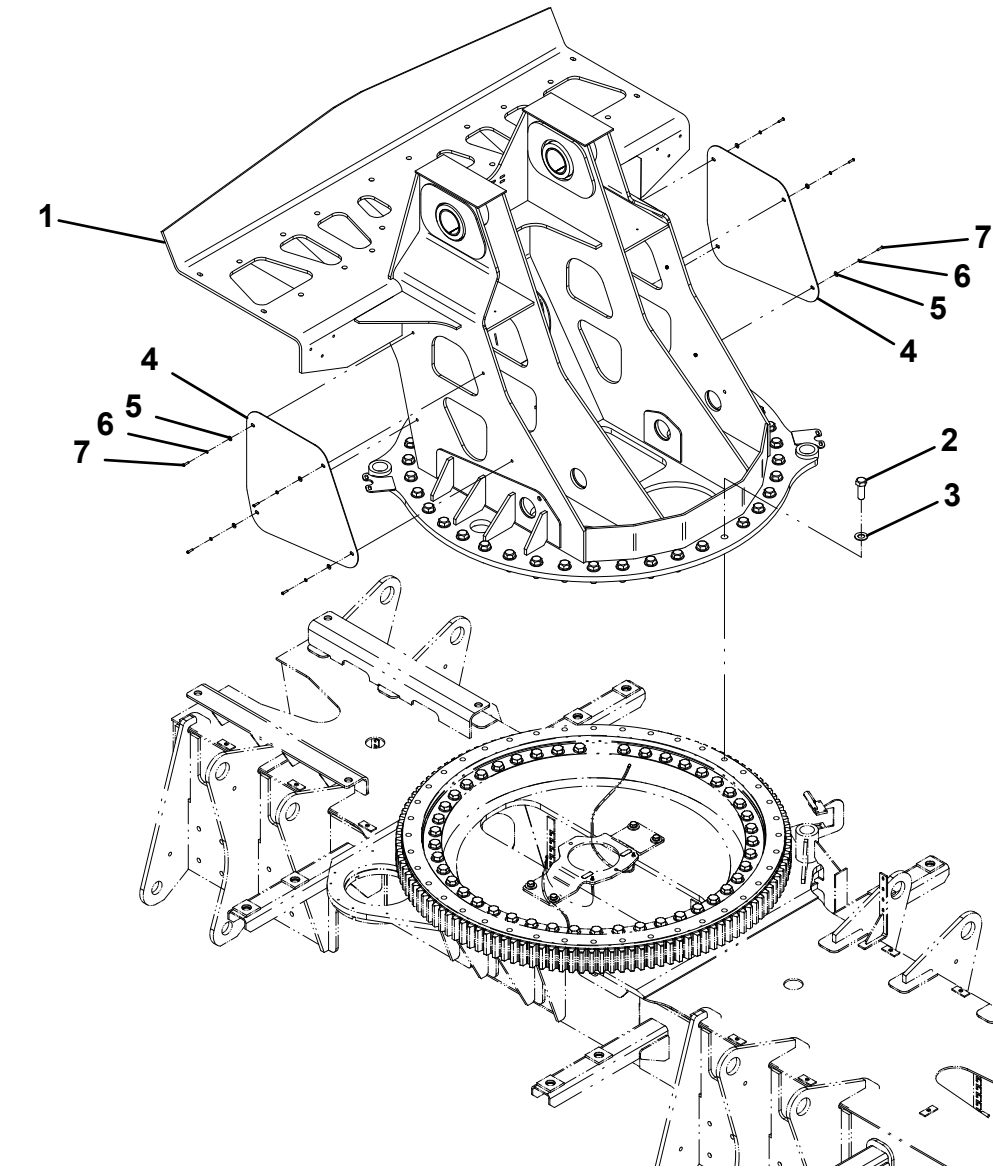
ITEM	PART NO.	DESCRIPTION	QTY
1	1001127656	Hydraulic/Electric Swivel	1
2	7445101045	Elbow	8
3	7443000414	Adapter	4
4	7443000173	Elbow	4
5	7445101043	Adapter	12
6	7445081045	Elbow	

SWIVEL ASSEMBLY, HYDRAULIC/ELECTRIC - 1001129628



TURNTABLE INSTALLATION

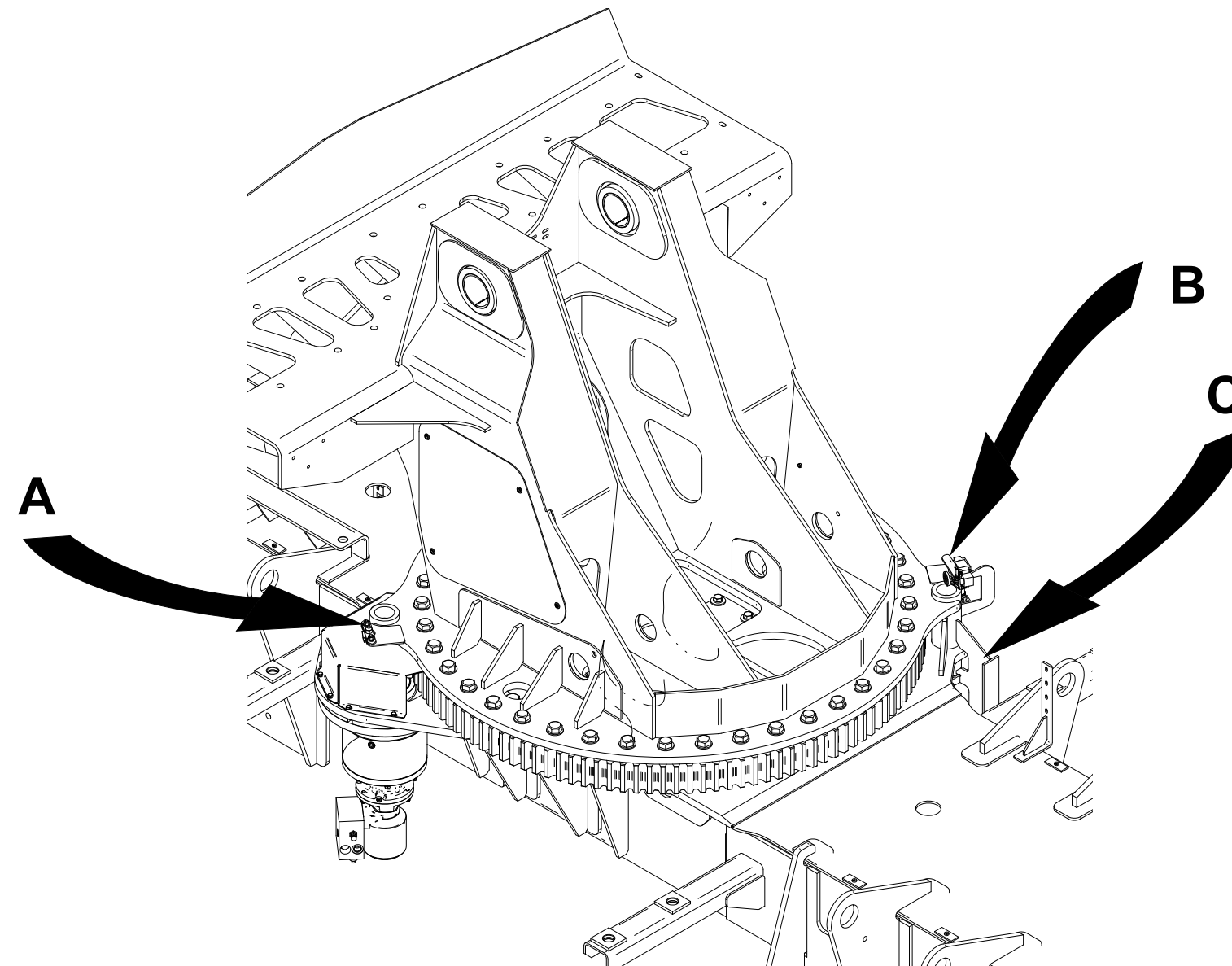
ITEM	PART NO.	DESCRIPTION	QTY
1	1001128391	Turntable Weldment	1
2	0682622	Capscrew, 1.00"-8NC x 2.75"	40
3	10701259	Flatwasher, 1.00" ID	40
4	1001134239	Cover	2
5	7950140161	Flatwasher, 0.25" ID	8
6	7950140000	Lockwasher, 0.25" ID	8
7	7114140818	Capscrew, 0.25"-20NC x 1.00"	8

TURNTABLE INSTALLATION

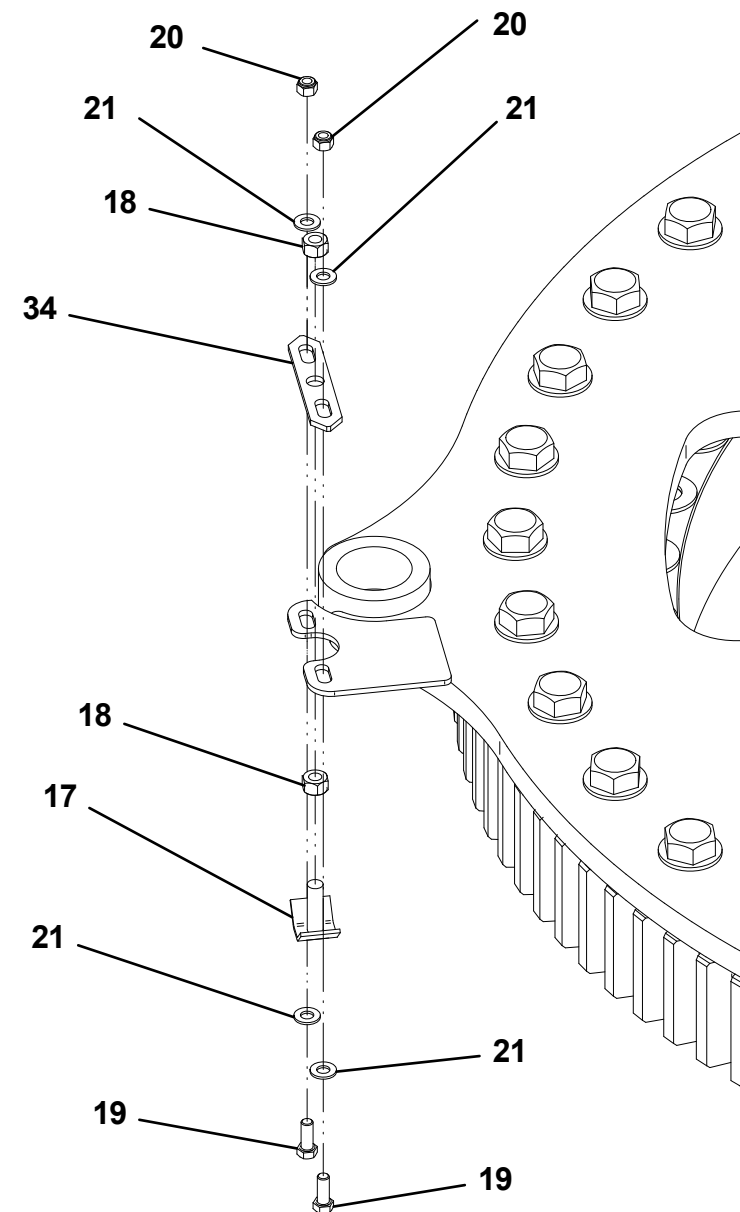
HOUSE LOCK INSTALLATION

ITEM	PART NO.	DESCRIPTION	QTY
1	7178000038	Bracket	1
2	7320000069	Cylinder	1
3	7277000012	Clevis, 0.44"-20NF	1
4	7660170230	Nut, 0.44"-20NF	1
5	7115140850	Bolt, 0.25"-20NC x 1.00"	4
6	7660142601	Locknut, 0.25"-20NC	4
7	7950140141	Flatwasher, 0.25" ID	8
8	4706004174	Plate	2
9	4706004173	Plate	1
10	7843000038	Spring	2
11	7990000027	Clevis, 0.50"-13NC x 2.25"	1
12	7660180200	Nut, 0.50"-13NC	1
13	4763000295	Threaded Rod, 0.50"-13NC	1
14	1001157970	Plate	1
15	7935000273	Air Valve	1
16	7114100518	Capscrew, #10-24NC x 1.00"	4
17	1001142626	Bracket	2
18	7660180001	Nut, 0.50"-13NC	4
19	7115160850	Bolt	8
20	7660162601	Locknut, 0.38"-16NC	4
21	7950160141	Flatwasher, 0.38" ID	18
22	1001156061	Switch Grid Lockout	1
23	7115141450	Bolt, 0.25"-20NC x 1.75"	1
24	7660140001	Nut, 0.25"-20NC	2
25	7114101618	Capscrew, #10-24NC x 2.00"	4
26	7950180141	Flatwasher, 0.50" ID	2
27	7691000050	Pin	1
28	4912000369	Tube, 0.75" OD x 0.48" ID x 0.75"	2
29	4691000450	Pin	1
30	1001129470	Pin	1
31	7950160000	Lockwasher, 0.38" ID	4
32	7660102601	Locknut, #10-24NC	8
33	7691000049	Pin	1
34	4811000942	Sheet	2
35	7690021210	Pin	2
36	7346000056	Fitting Liquid	1

HOUSE LOCK INSTALLATION

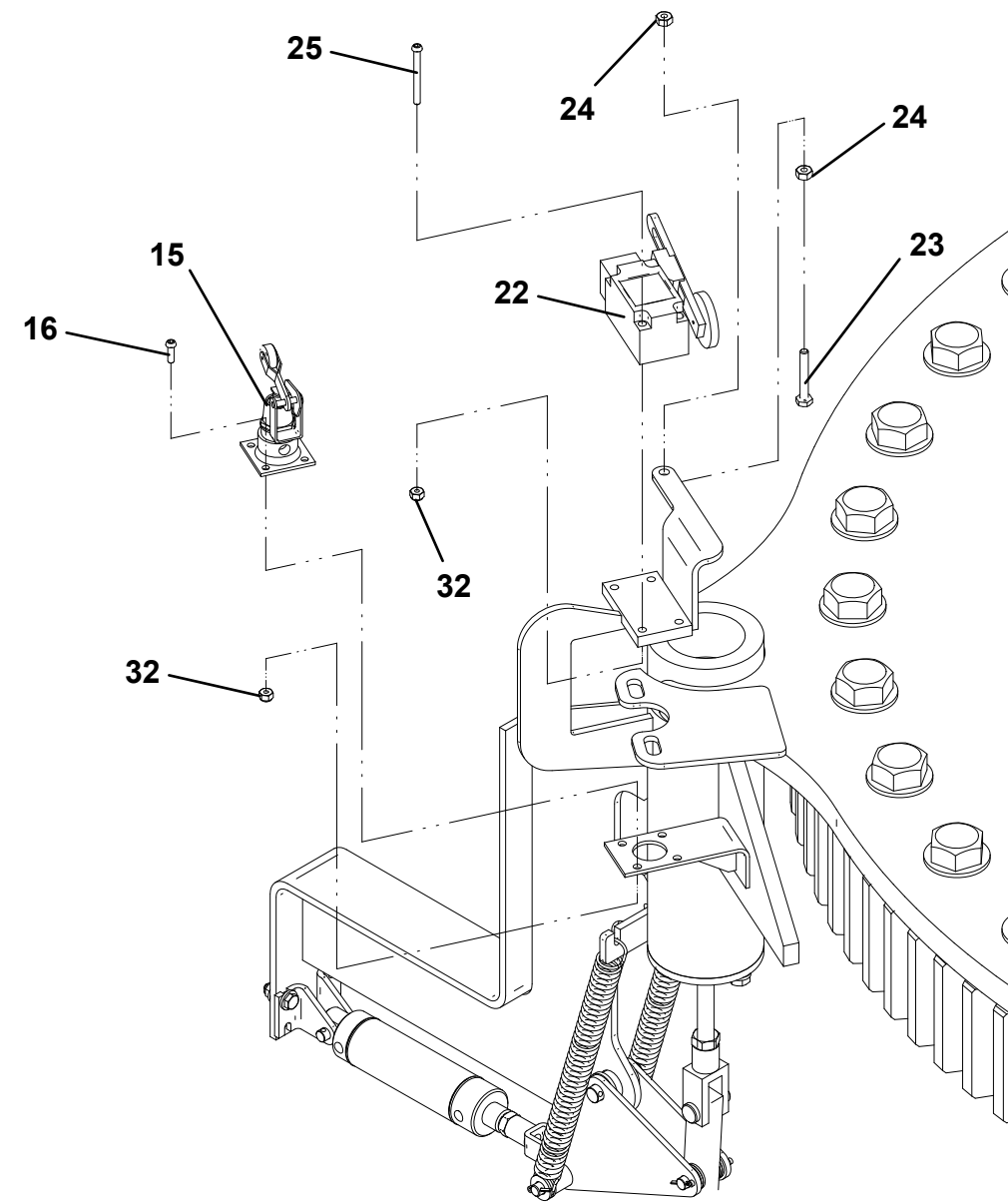


HOUSE LOCK INSTALLATION



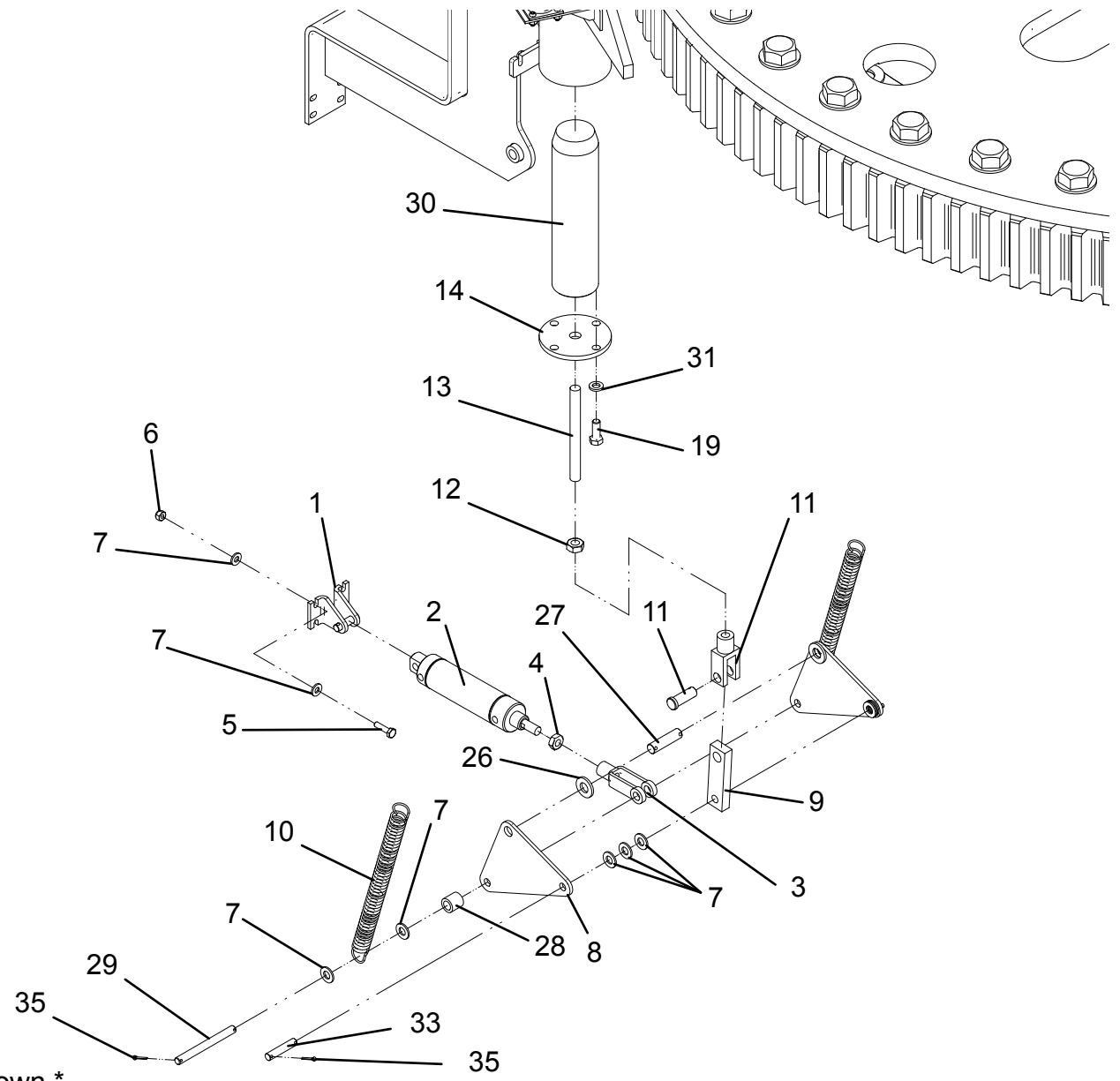
A

HOUSE LOCK INSTALLATION



B

HOUSE LOCK INSTALLATION



C

* Number 36 Not Shown *

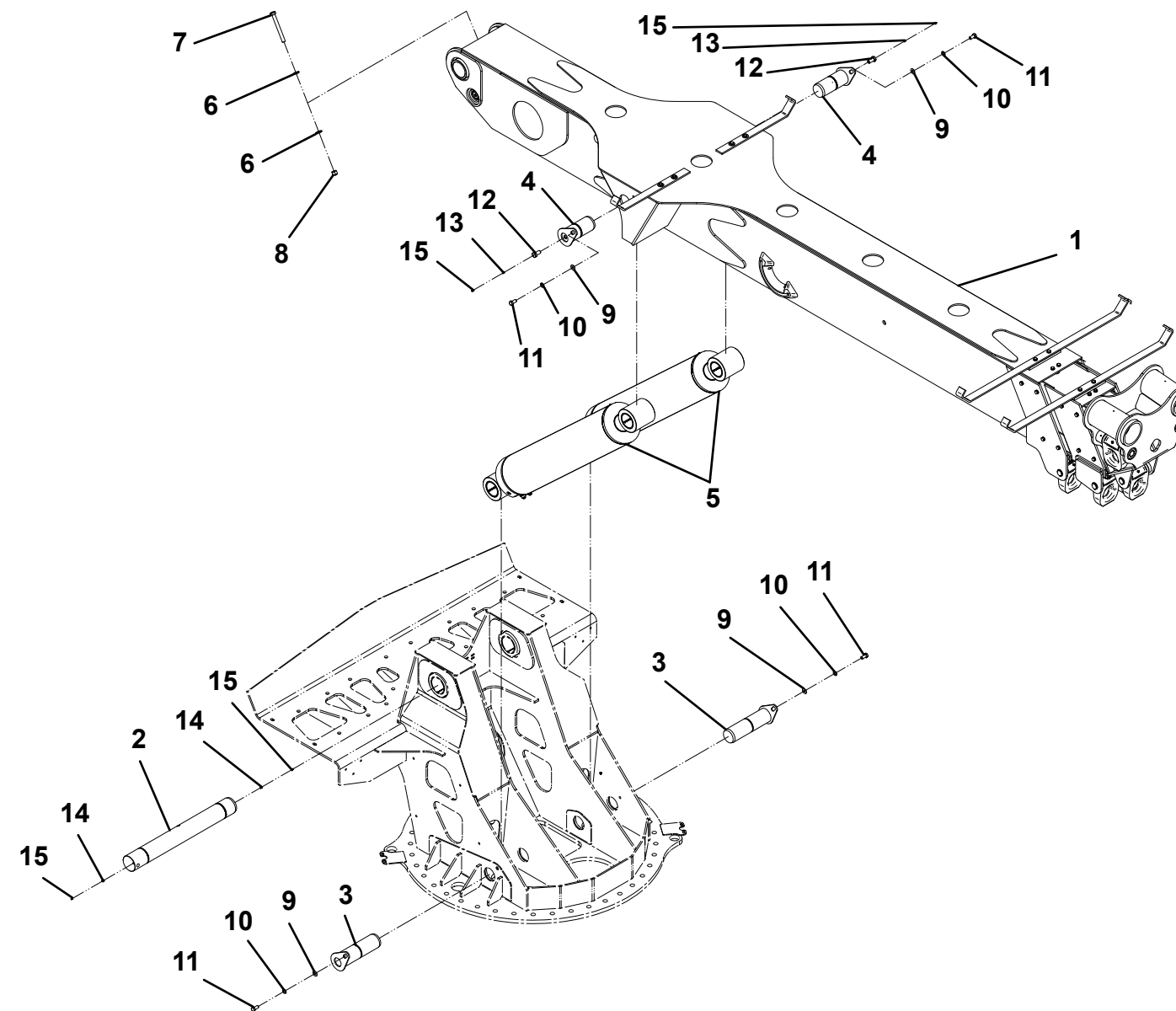
HOUSE LOCK INSTALLATION

THIS PAGE INTENTIONALLY LEFT BLANK

WRECKER BOOM INSTALLATION - 3 PIECE

ITEM	PART NO.	DESCRIPTION	QTY
1	1001128463	Boom Assembly, 3 Piece	1
2	4691000556	Pin	1
3	1001128283	Pin	2
4	3691000252	Pin	2
5	1001127313	Lift Cylinder Assembly	2
6	7950220141	Flatwasher, 0.75" ID	2
7	7118225650	Capscrew, 0.75"-10NC x 7.00"	1
8	7660222601	Locknut, 0.75"-10NC	1
9	7950200141	Flatwasher, 0.63"-11NC x 1.25"	4
10	7950200000	Lockwasher, 0.63" ID	4
11	7115201050	Capscrew, 0.63"-11NC x 1.25"	4
12	4120000021	Capscrew, 0.75"-10NC x 1.50"	2
13	7440030000	Grease Fitting	2
14	7440000000	Grease Fitting	2
15	7253000002	Cap, Grease Fitting	4

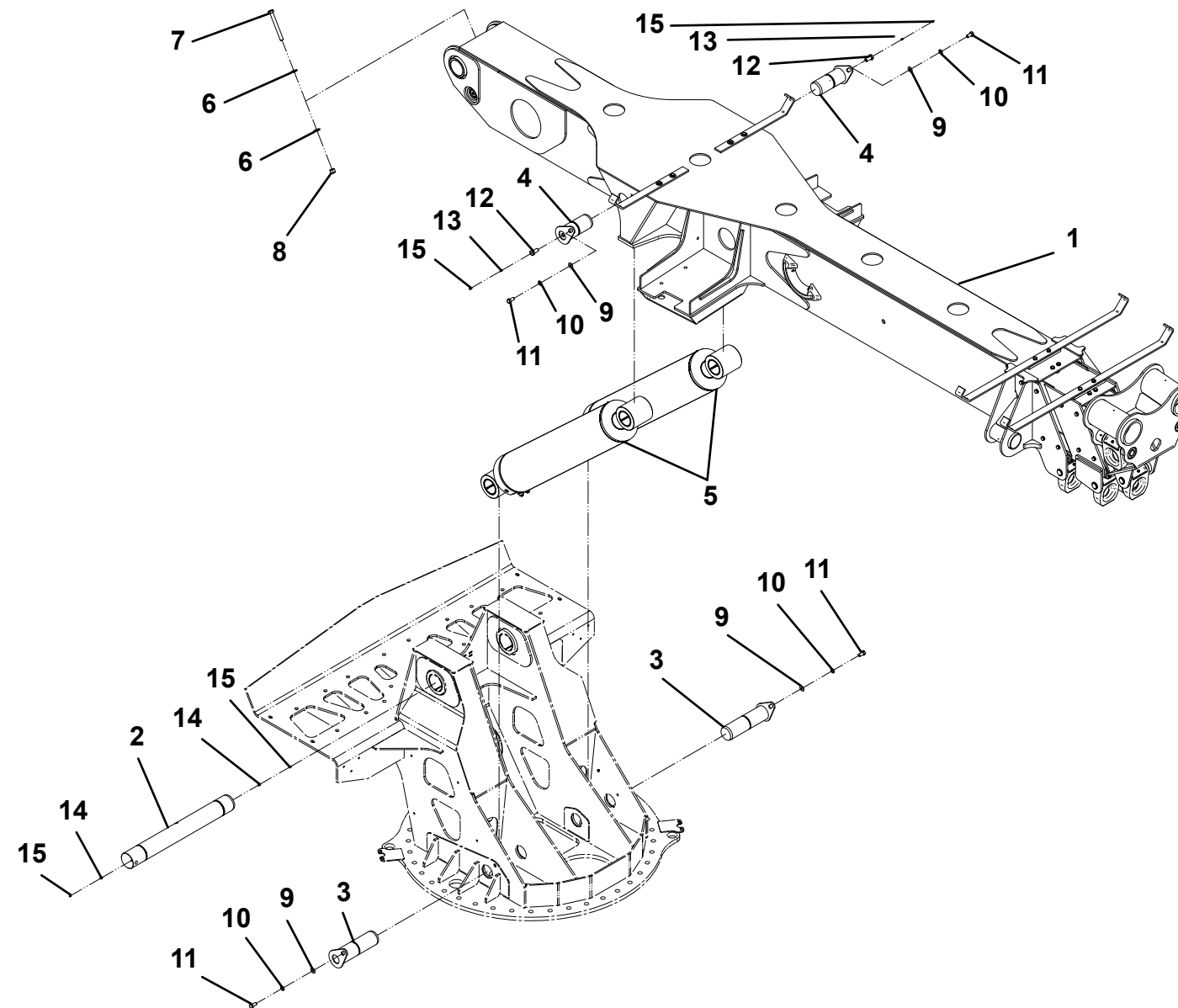
WRECKER BOOM INSTALLATION - 3 PIECE



WRECKER BOOM INSTALLATION - 3 PIECE W/ AUXILIARY WINCHES

ITEM	PART NO.	DESCRIPTION	QTY
1	1001158540	Boom Assembly, 3 Piece	1
2	4691000556	Pin	1
3	1001128283	Pin	2
4	3691000252	Pin	2
5	1001127313	Lift Cylinder Assembly	2
6	7950220141	Flatwasher, 0.75" ID	2
7	7118225650	Capscrew, 0.75"-10NC x 7.00"	1
8	7660222601	Locknut, 0.75"-10NC	1
9	7950200141	Flatwasher, 0.63"-11NC x 1.25"	4
10	7950200000	Lockwasher, 0.63" ID	4
11	7115201050	Capscrew, 0.63"-11NC x 1.25"	4
12	4120000021	Capscrew, 0.75"-10NC x 1.50"	2
13	7440030000	Grease Fitting	2
14	7440000000	Grease Fitting	2
15	7253000002	Cap, Grease Fitting	4

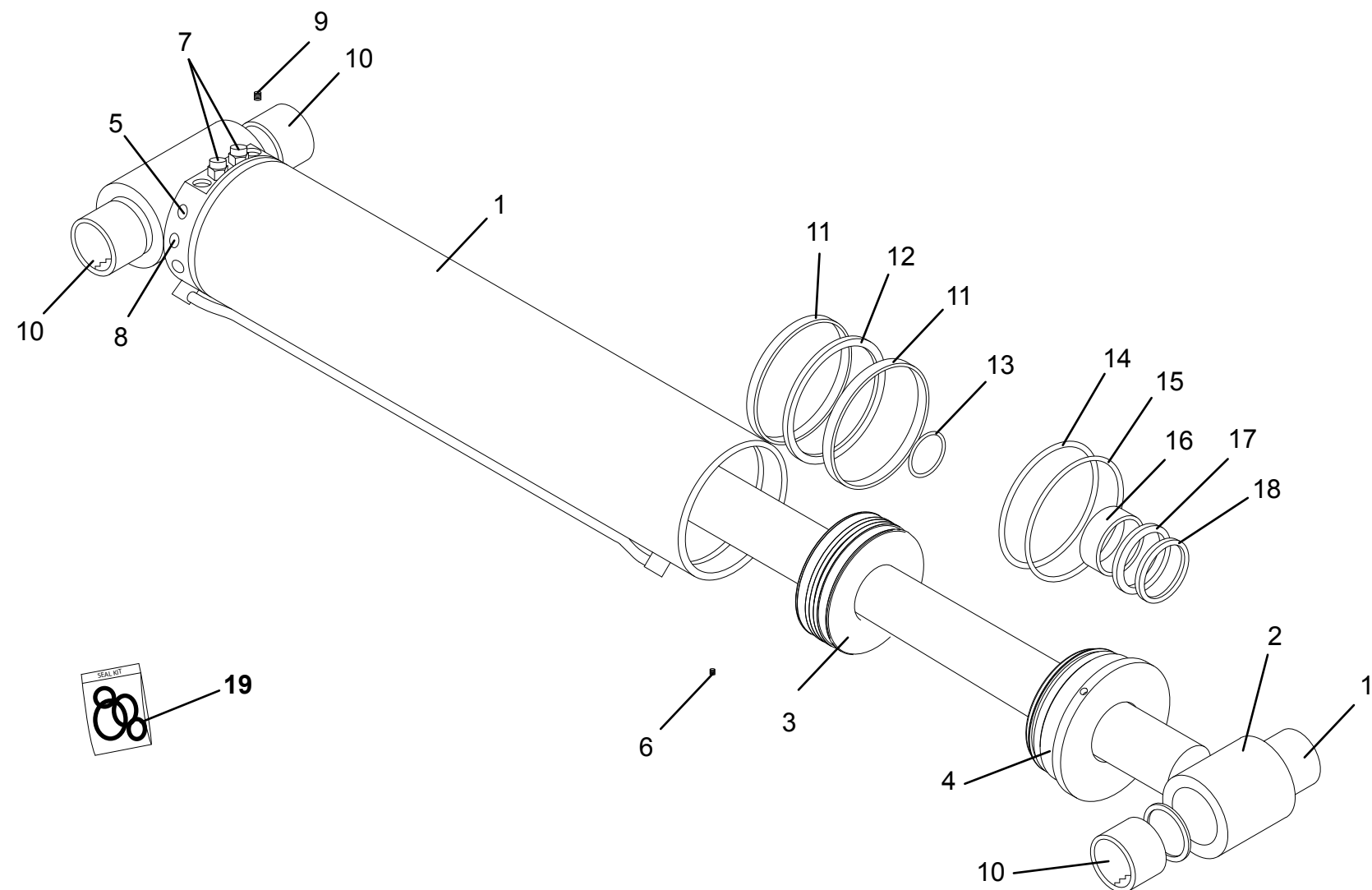
WRECKER BOOM INSTALLATION - 3 PIECE W/ AUXILIARY WINCHES



WRECKER BOOM LIFT CYLINDER - 1001127313

ITEM	PART NO.	DESCRIPTION	QTY
1	70050403	Barrel Assembly	1
2	70050404	Rod Assembly	1
3	70050411	Piston	1
4	70050416	Rod Bearing	1
5	70022067	Steel SAE O-Ring Plug #4	4
6	7029760	Locking Screw	1
7	70050407	Counterbalance Valve	2
8	70050408	Grease Fitting	1
9	70050409	Set Screw	1
10	70050410	Connex Bushing	4
11	70050415	Wear Ring, Piston	2
12	70050413	Rectangular Piston Seal	1
13	91034041	O-Ring	1
14	70050420	O-Ring	1
15	70050421	Backup Ring	1
16	70050423	Wear Ring Rod	1
17	70050422	Rod Seal	1
18	70050419	Seal Wiper	1
19	70050412	Seal Kit	1

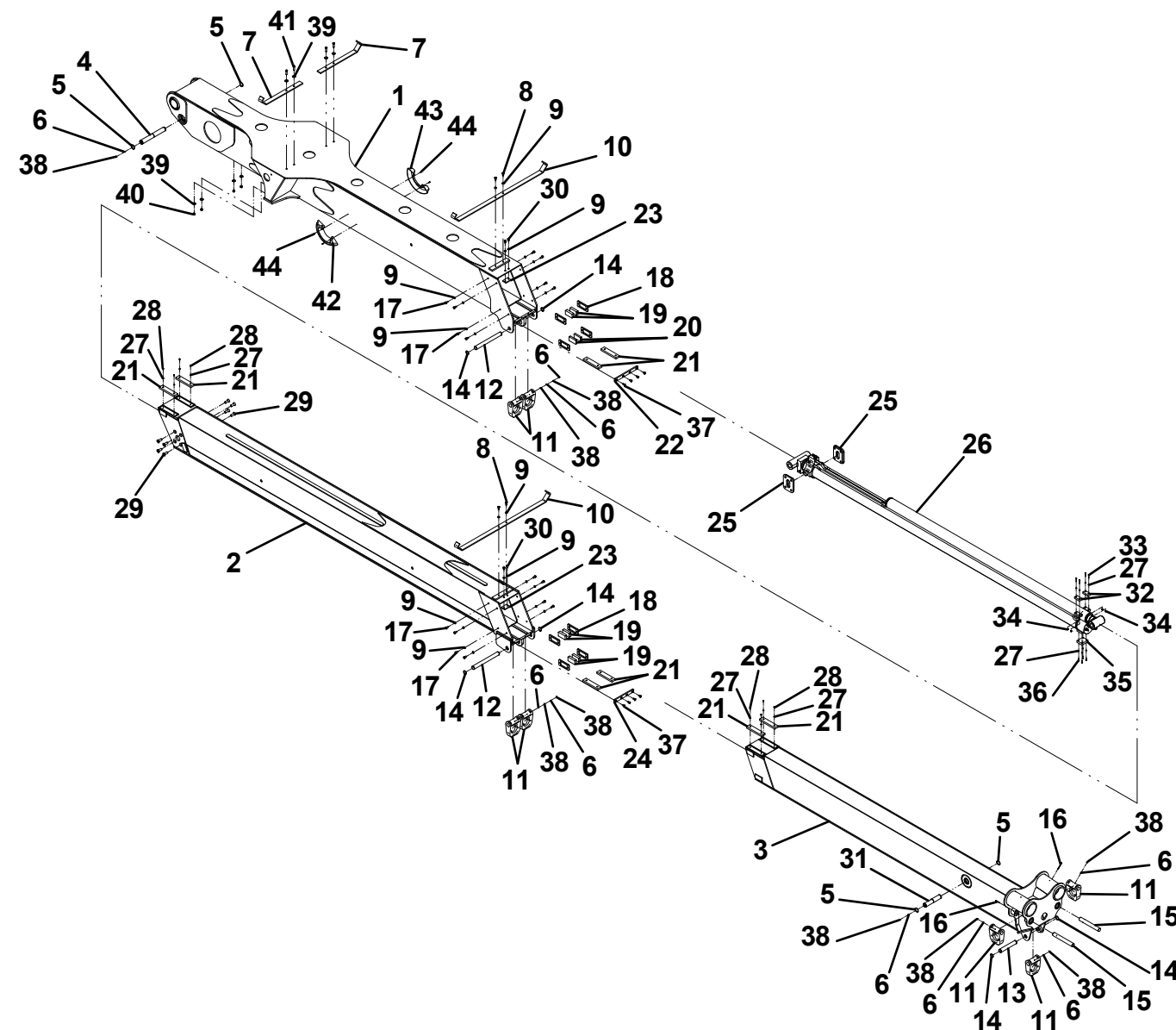
WRECKER BOOM LIFT CYLINDER - 1001127313



WRECKER BOOM ASSEMBLY - 3 PIECE

ITEM	PART NO.	DESCRIPTION	QTY	ITEM	PART NO.	DESCRIPTION	QTY
1	1001127853	Boom Weldment, Base Section	1	40	7660182601	Locknut, 0.50"-13NC	4
2	1001127841	Boom Weldment, Mid Section	1	41	7115181450	Capscrew, 0.50"-13NC x 1.75"	4
3	1001127836	Boom Weldment, Fly Section	1	42	7470000014	Gauge, Angle Indicator- LH	1
4	4691000417	Pin	1	43	7470000019	Gauge, Angle Indicator- RH	1
5	7754000055	Retaining Ring	4	44	7114100418	Capscrew, #10-24NC x 0.50"	4
6	7440030000	Grease Fitting	9				
7	4062000522	Bar	2				
8	7115180850	Capscrew, 0.50"-13NC x 1.00"	4				
9	7950180000	Lockwasher, 0.59" ID	24				
10	4062000589	Bar	2				
11	4754000004	D-Ring	7				
12	1001129006	Pin	2				
13	1001129393	Pin	1				
14	7754000014	Retaining Ring	6				
15	4691000285	Pin	2				
16	7690144840	Pin, Spring	2				
17	7108180850	Capscrew, 0.50"-20NF x 1.00"	16				
18	4178000811	Bracket	8				
19	4679000314	Pad	6				
20	4679000313	Pad	2				
21	4679000140	Pad	2				
22	1001129004	Plate	1				
23	4062000715	Bar	2				
24	1001129005	Plate	1				
25	3706000241	Plate Weldment	2				
26	7320000085	Extension Cylinder Assembly	2				
27	7950140000	Lockwasher, 0.25" ID	16				
28	7118140427	Capscrew, 0.25"-20NC x 0.50"	8				
29	7120000040	Capscrew, 0.75"-10NC x 2.00"	8				
30	7115180650	Capscrew, 0.50"-13NC x 0.75"	4				
31	4691000416	Pin	1				
32	4679000319	Pad	2				
33	7114141218	Capscrew, 0.25"-20NC x 1.50"	4				
34	7660142601	Locknut, 0.25"-20NC	4				
35	4679000326	Pad	1				
36	7114140818	Capscrew, 0.25"-20NC x 1.00"	4				
37	7118180820	Capscrew, 0.50"-13NC x 1.00"	8				
38	7253000002	Grease Fitting	9				
39	7950180161	Flatwasher, 0.50" ID	8				

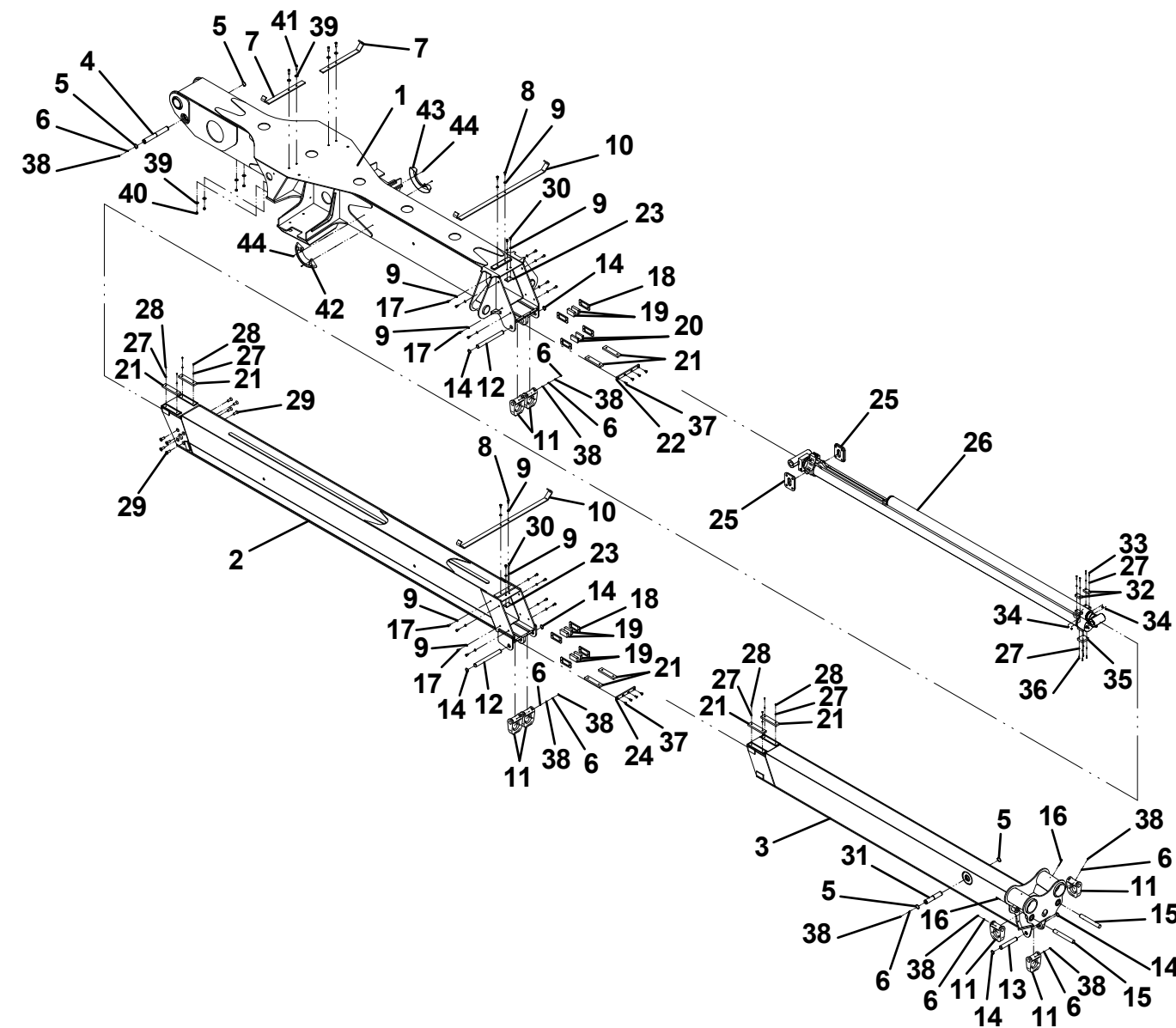
WRECKER BOOM ASSEMBLY - 3 PIECE



WRECKER BOOM ASSEMBLY - 3 PIECE W/ AUXILIARY WINCHES

ITEM	PART NO.	DESCRIPTION	QTY	ITEM	PART NO.	DESCRIPTION	QTY
1	1001158448	Boom Weldment, Base Section	1	40	7660182601	Locknut, 0.50"-13NC	4
2	1001127841	Boom Weldment, Mid Section	1	41	7115181450	Capscrew, 0.50"-13NC x 1.75"	4
3	1001127836	Boom Weldment, Fly Section	1	42	7470000014	Gauge, Angle Indicator- LH	1
4	4691000417	Pin	1	43	7470000019	Gauge, Angle Indicator- RH	1
5	7754000055	Retaining Ring	4	44	7114100418	Capscrew, #10-24NC x 0.50"	4
6	7440030000	Grease Fitting	9				
7	4062000522	Bar	2				
8	7115180850	Capscrew, 0.50"-13NC x 1.00"	4				
9	7950180000	Lockwasher, 0.59" ID	24				
10	4062000589	Bar	2				
11	4754000004	D-Ring	7				
12	1001129006	Pin	2				
13	1001129393	Pin	1				
14	7754000014	Retaining Ring	6				
15	4691000285	Pin	2				
16	7690144840	Pin, Spring	2				
17	7108180850	Capscrew, 0.50"-20NF x 1.00"	16				
18	4178000811	Bracket	8				
19	4679000314	Pad	6				
20	4679000313	Pad	2				
21	4679000140	Pad	2				
22	1001129004	Plate	1				
23	4062000715	Bar	2				
24	1001129005	Plate	1				
25	3706000241	Plate Weldment	2				
26	7320000085	Extension Cylinder Assembly	2				
27	7950140000	Lockwasher, 0.25" ID	16				
28	7118140427	Capscrew, 0.25"-20NC x 0.50"	8				
29	7120000040	Capscrew, 0.75"-10NC x 2.00"	8				
30	7115180650	Capscrew, 0.50"-13NC x 0.75"	4				
31	4691000416	Pin	1				
32	4679000319	Pad	2				
33	7114141218	Capscrew, 0.25"-20NC x 1.50"	4				
34	7660142601	Locknut, 0.25"-20NC	4				
35	4679000326	Pad	1				
36	7114140818	Capscrew, 0.25"-20NC x 1.00"	4				
37	7118180820	Capscrew, 0.50"-13NC x 1.00"	8				
38	7253000002	Grease Fitting	9				
39	7950180161	Flatwasher, 0.50" ID	8				

WRECKER BOOM ASSEMBLY - 3 PIECE W/ AUXILIARY WINCHES

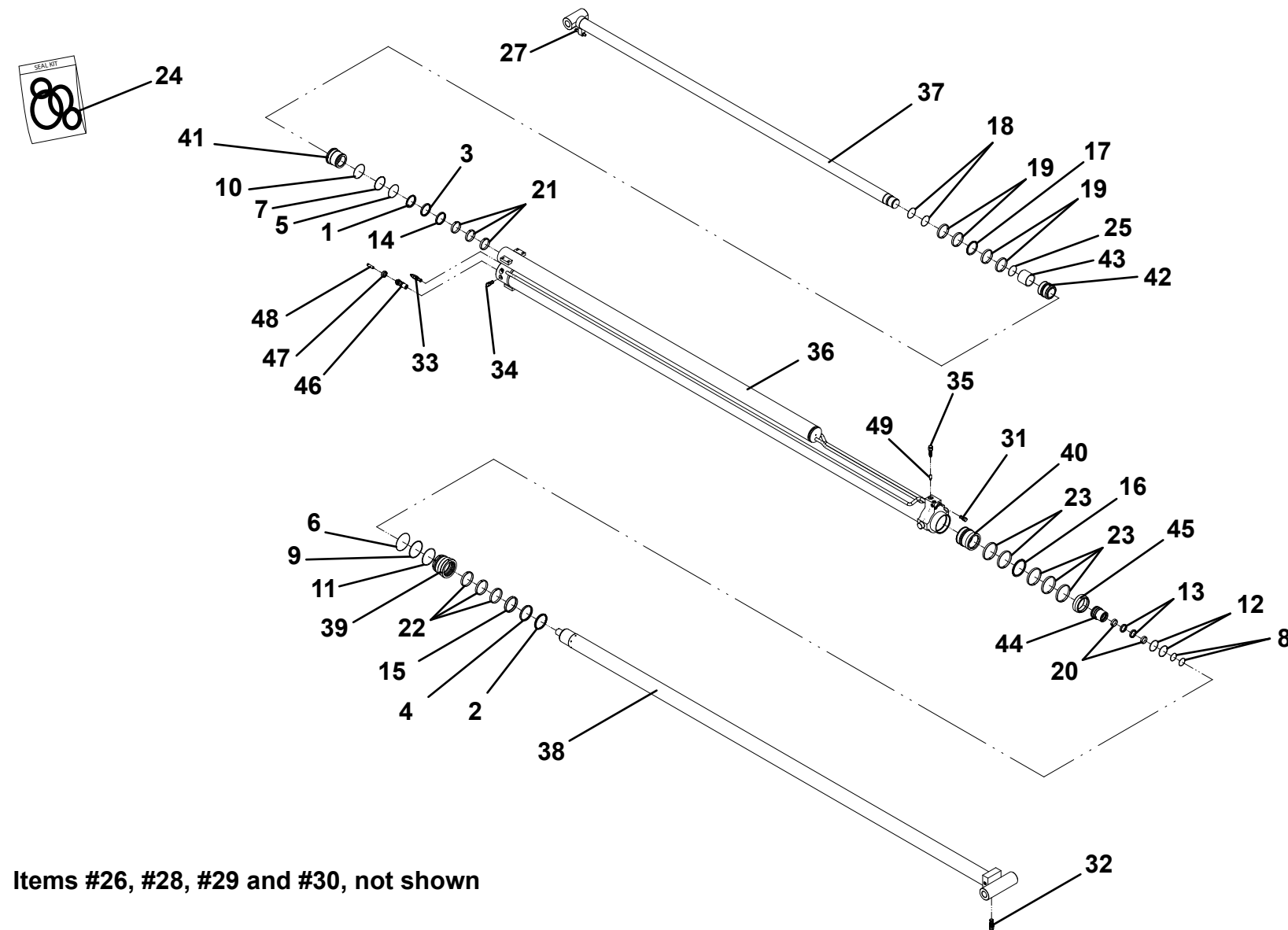


EXTENSION CYLINDER ASSEMBLY - 732000085

ITEM	PART NO.	DESCRIPTION	QTY	ITEM	PART NO.	DESCRIPTION	QTY
1	83304143	Seal, Wiper	1	40	70050583	Piston	1
2	9796250084	Seal, Wiper	1	41	70050584	Head	1
3	9796250071	Seal	1	42	70050585	Piston	1
4	70050556	Seal	1	43	70050586	Spacer	1
5	70050557	Seal, "O"Ring	1	44	70050587	Adapter, RT	1
6	70050558	Seal, "O"Ring	1	45	70050588	Spacer	1
7	9754250009	Ring, Back-up	1	46	70050589	Assembly, Valve	1
8	70050559	Seal, "O"Ring	2	47	70050590	Valve Retainer	1
9	9754250054	Ring, Back-up	1	48	70050591	Assembly, Pad Plunger	1
10	9796250058	Seal, "O"Ring	1	49	70050592	Plunger	1
11	9796250149	Seal, "O"Ring	1				
12	70050560	Seal, "O"Ring	2				
13	70050561	Seal	2				
14	70050562	Seal	1				
15	70050563	Seal	1				
16	70050564	Seal	1				
17	70050565	Seal	1				
18	70050566	Seal, "O"Ring	2				
19	9754250014	Ring, Wear	4				
20	83304181	Ring, Wear	2				
21	83304140	Ring, Wear	3				
22	70050568	Ring, Wear	3				
23	9754250055	Ring, Wear	5				
24	70050569	Kit, Seal	1				
25	70050570*	Seal, "O"Ring	1				
26	70021774	Setscrew	4				
27	70050572	Locknut	2				
28	7005365	Plug, Port	2				
29	70021648	Plug, Port	4				
30	7023593	Plug, Port	5				
31	70050574	Valve, Check	1				
32	70050575	Valve, Counterbalance	1				
33	70050576	Valve, Relief	1				
34	70050577	Valve, Check	1				
35	70050578	Valve, Directional	1				
36	70050579	Assembly, Tube	1				
37	70050580	Assembly, Rod-Tube	1				
38	70050581	Assembly, Rod-Tube	1				
39	70050582	Head	1				

* Not Part of Seal Kit

EXTENSION CYLINDER ASSEMBLY - 732000085

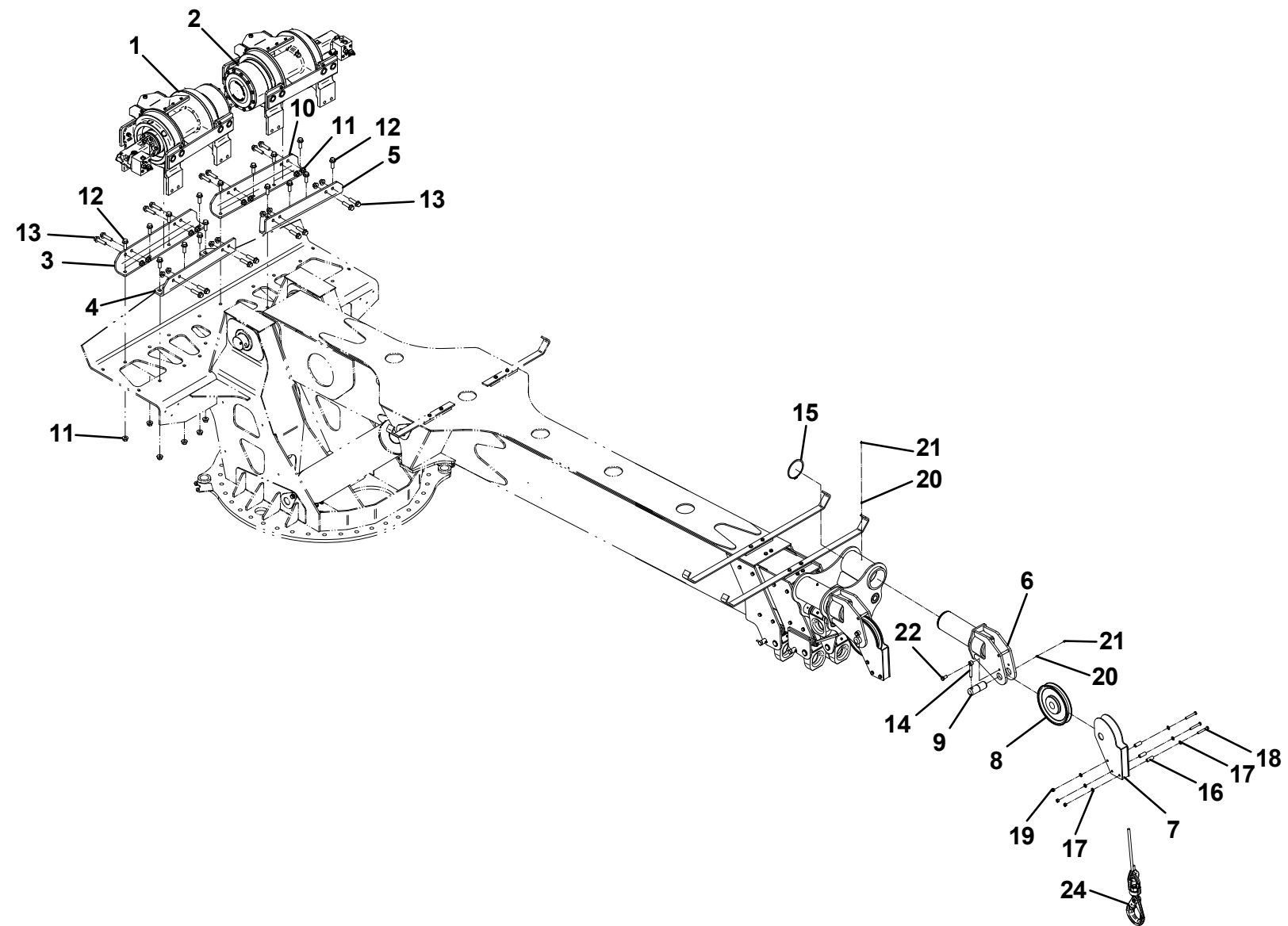


Items #26, #28, #29 and #30, not shown

WINCH INSTALLATION - 2 SPEED 50K RAMSEY

ITEM	PART NO.	DESCRIPTION	QTY
1	1001128323	Winch, Ramsey 50K - LH	1
2	1001129495	Winch, Ramsey 50K - RH	1
3	1001129540	Angle, Winch Front - LH	1
4	1001129541	Angle, Winch Rear - LH	1
5	1001129543	Angle, Winch Rear - RH	1
6	1001169618	Sheave Support Weldment	2
7	3249000037	Cable Guide Weldment	2
8	7809000018	Sheave, 12" Dia.	2
9	1001170037	Pin	2
10	1001129542	Angle, Winch Front - RH	1
11	7660222308	Locknut, 0.75"-10NC	32
12	7118221816	Capscrew, 0.75"-10NC x 2.25"	16
13	7118222416	Capscrew, 0.75"-10NC x 3.00"	16
14	3841258	Rod	2
15	7754000083	Retaining Ring	2
16	4831000108	Spacer	6
17	7950180153	Flatwasher, 0.50" ID	12
18	7115182850	Capscrew, 0.50"-13NC x 3.50"	6
19	7660182601	Locknut, 0.50"-13NC	6
20	7440030000	Grease Fitting	4
21	7253000002	Cap, Grease Fitting	4
22	7115201050	Bolt, 0.63"-11NC x 1.25"	2
23	0100011	Thread Locker	A/R
24	7248000149	Cable, 0.75" x 250'	2
	1001135127	Cable, 0.75" x 250' w/ Swivel Hook	2

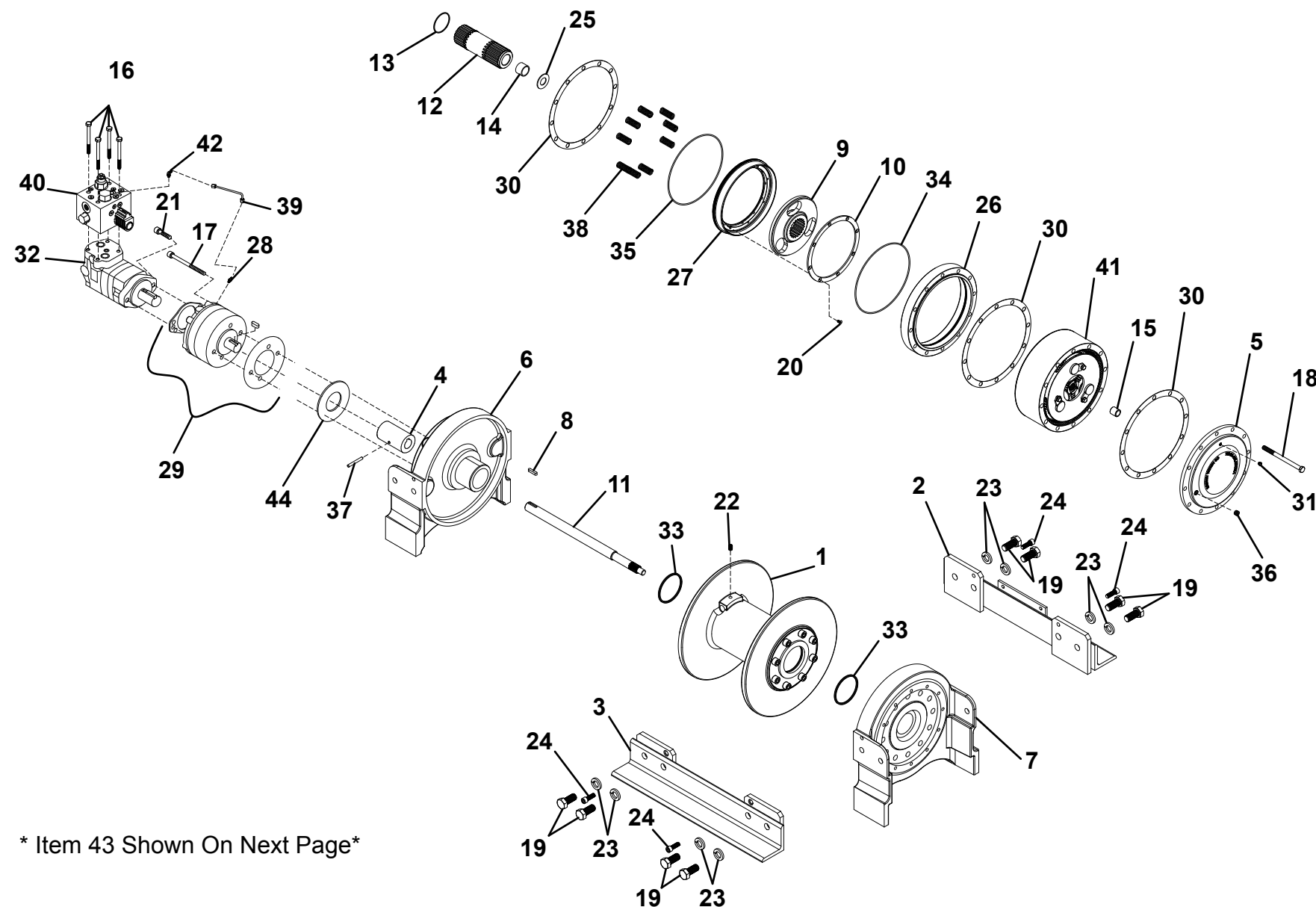
WINCH INSTALLATION - 2 SPEED 50K RAMSEY



RAMSEY 50K WINCH - 1001128323 & 1001129495

ITEM	PART NO.	DESCRIPTION	QTY	ITEM	PART NO.	DESCRIPTION	QTY
1	9970960027	Drum Assembly	1	40	9935960067	Valve Control (B - Rotation)	1
2	70050332	Angle	1	41	70050359	Valve Control (A - Rotation)	1
3	70050333	Angle	1	42	9443960010	Gearbox	1
4	70050334	Coupling	1	43	70050360	Fitting	1
5	70050335	Gear Housing Cover	1	44	70050396	Tensioner Assembly	1
6	70050336	Bearing	1				
7	70050337	Bearing	1				
8	70050338	Key	1				
9	70050339	Clutch	1				
10	70050340	Clutch Retaining Key	1				
11	70050341	Input Shaft	1				
12	70050342	Output Coupling	1				
13	70050343	Spacer	1				
14	70050344	Bushing	1				
15	70050345	Bushing	1				
16	7105163650	Capscrew, 0.38"-24NF x 4.00"	4				
17	70050346	Capscrew, 0.50"-13NC x 3.50"	2				
18	7115185650	Capscrew, 0.50"-13NC x 7.00"	12				
19	7115241650	Capscrew, 0.88"-9NC x 2.00"	8				
20	70050347	Capscrew, 0.25"-20NC x 0.50"	8				
21	9120960024	Capscrew, 0.50"-13NC x 1.25"	2				
22	7785181200	Setscrew, 0.50"-13NC x 0.75"	1				
23	9949960044	Lockwasher, 0.88" ID	8				
24	9120960054	Bolt, 0.50" x 0.75"	4				
25	70050348	Thrust Washer	1				
26	70050349	Cylinder	1				
27	70050350	Piston	1				
28	9443960019	Fitting	1				
29	70050351	Brake Assembly	1				
30	9796960157	Gasket	3				
31	9970456008	Relief Fitting	1				
32	70050352	Motor	1				
33	9796960159	Quad Ring	2				
34	70050353	O-Ring	1				
35	70050354	O-Ring	1				
36	70050355	Pipe Plug	1				
37	70050356	Pin	1				
38	70050357	Spring	9				
39	70050358	Tube Assembly	1				

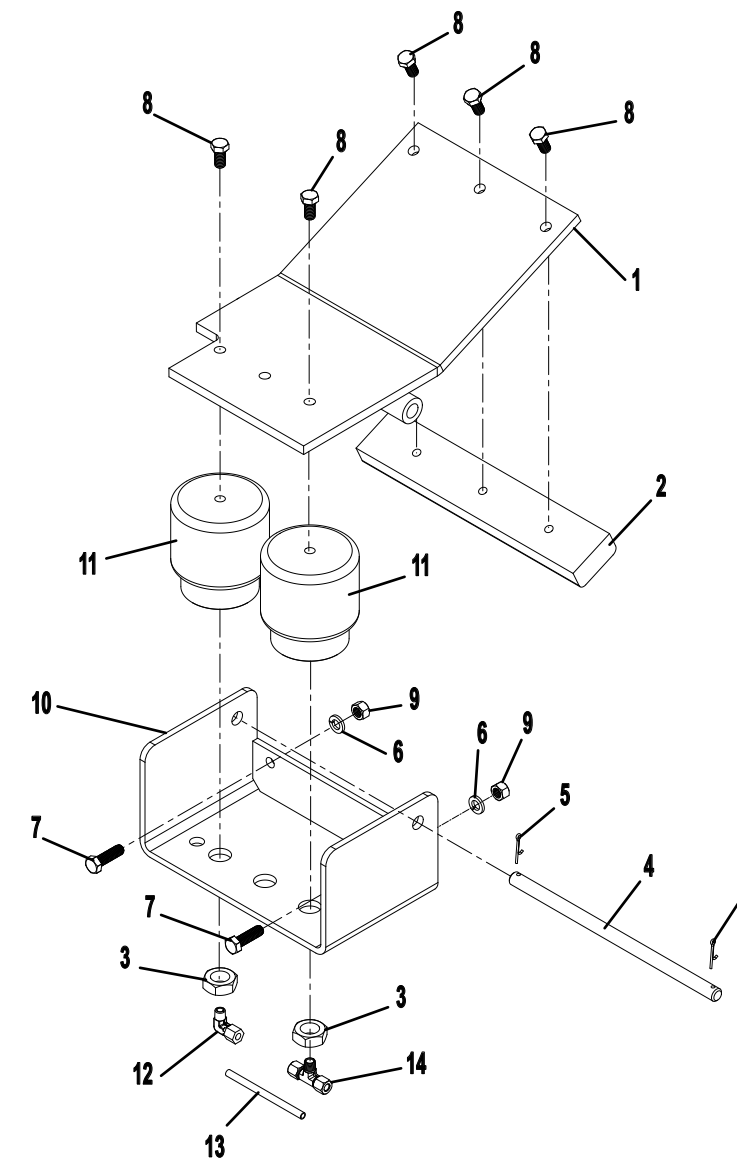
RAMSEY 50K WINCH - 1001128323 & 1001129495



RAMSEY WINCH CABLE TENSIONER ASSEMBLY - 70050360

ITEM	PART NO.	DESCRIPTION	QTY
1	70050366	Plate	1
2	9064960008	Rub Bar	1
3	70050364	Nut, 0.50"-16NF	2
4	9691960032	Pin	1
5	4691960030	Cotter Pin	2
6	9970418177	Lockwasher, 0.38" ID	2
7	70050364	Capscrew, 0.38" x 1.25"	2
8	9120960042	Capscrew, 0.38" x 0.75"	5
9	70050363	Nut, 0.38"	2
10	70050362	Bracket, Air Tensioner	1
11	70050361	Air Actuator	2
12	9443960021	Fitting	1
13	9570960005	Tube	1
14	9443960020	Tee	1

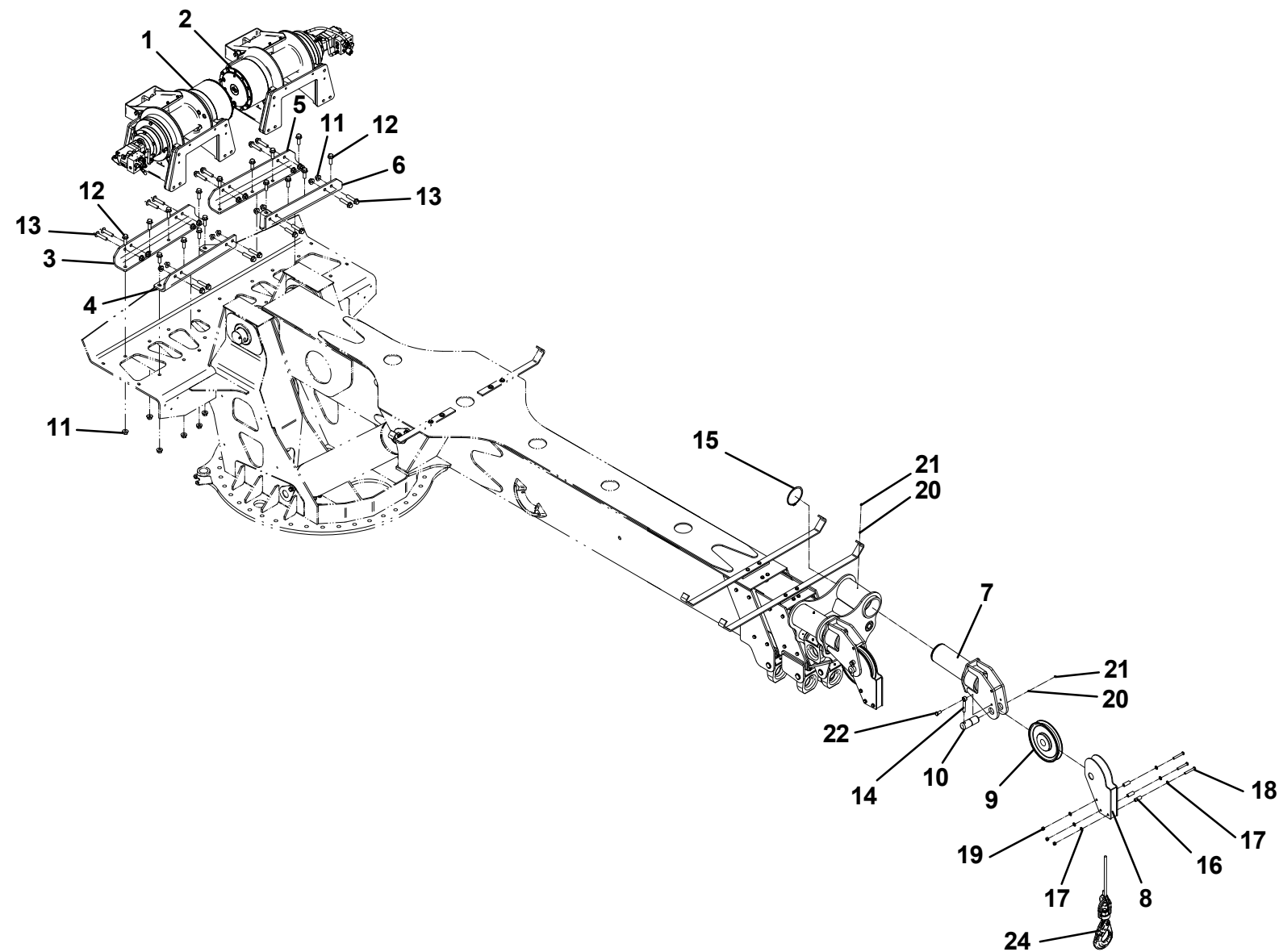
RAMSEY WINCH CABLE TENSIONER ASSEMBLY - 70050360



WINCH INSTALLATION - 2 SPEED 50K DP

ITEM	PART NO.	DESCRIPTION	QTY
1	1001145566	Winch, DP 50K - LH	1
2	7970000169	Winch, DP 50K - RH	1
3	1001145521	Angle, Winch Front - LH	1
4	1001145522	Angle, Winch Rear - LH	1
5	1001145523	Angle, Winch Front - LH	1
6	1001145524	Angle, Winch Front - RH	1
7	1001169618	Sheave Support Weldment	2
8	3249000037	Cable Guide Weldment	2
9	7809000018	Sheave, 12" Dia.	2
10	1001170037	Pin	2
11	7660222308	Locknut, 0.75"-10NC	32
12	7118221816	Capscrew, 0.75"-10NC x 2.25"	16
13	7118222816	Capscrew, 0.75"-10NC x 3.50"	16
14	3841258	Retaining Ring	2
15	7754000083	Retaining Ring	2
16	4831000108	Spacer	6
17	7950180153	Flatwasher, 0.50" ID	12
18	7115182850	Capscrew, 0.50"-13NC x 3.50"	6
19	7660182601	Locknut, 0.50"-13NC	6
20	7440030000	Grease Fitting	4
21	7253000002	Cap, Grease Fitting	4
22	7115201050	Bolt, 0.63"-11NC x 1.25"	2
23	0100011	Thread Locker	A/R
24	7248000149	Cable, 0.75" x 250'	2
	1001135127	Cable, 0.75" x 250' w/ Swivel Hook	

WINCH INSTALLATION - 2 SPEED 50K DP



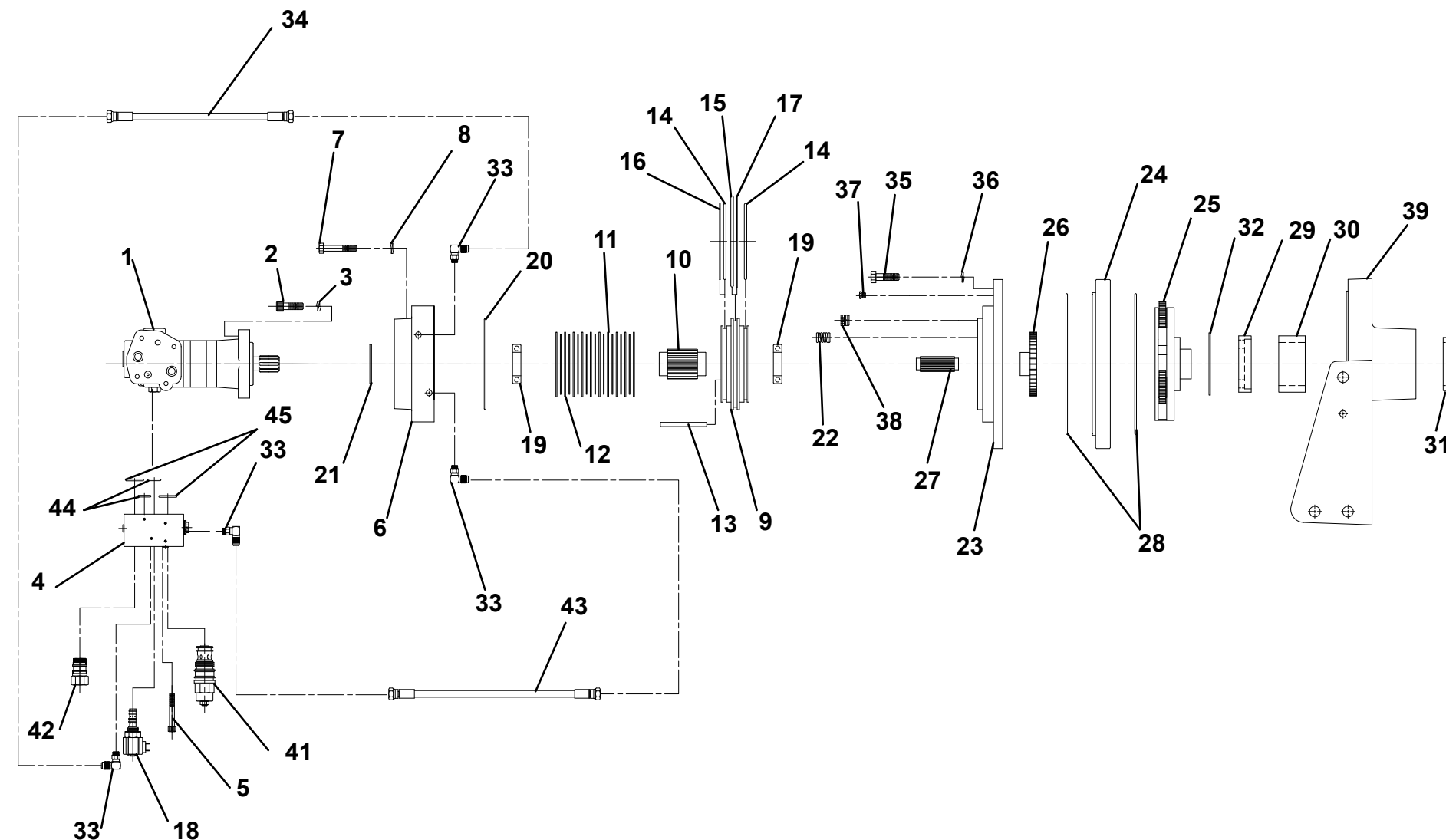
DP WINCH 50K - MOTOR END INSTALLATION

ITEM	PART NO.	DESCRIPTION	QTY
1	70050367	Motor, Hydraulic	1
2	7118181205	Capscrew, 0.50"-13NC x 1.50"	2
3	7950180800	Lockwasher, 0.50"	2
4	70050368	Valve, Counterbalance	1
5	70050370	Capscrew, 0.38"-24NF x 2.50"	4
6	9571960006	Housing, Brake Outer	1
7	7118172050	Capscrew, 0.44" x 2.50"	6
8	7950170000	Lockwasher, 0.44"	6
9	9698960008	Piston, Brake	1
10	9806960013	Shaft, Brake	1
11	**	Plate, Friction Disk	10
12	**	Plate, Brake Drive	9
13	9691960021	Pin	2
14	>	O-Ring, 5.38" ID	2
15	>	O-Ring, 6.50" ID	1
16	>	Ring, 5.28" ID	1
17	>	Ring, 6.25" ID	1
18	70050371	Cartridge, Valve	1
19	9082960013	Bearing	2
20	>	O-Ring, 6.75" ID	1
21	9796960090	O-Ring, 3.00" ID	1
22	**	Spring	12
23	7007960040	Adapter, Brake	1
24	9472960032	Gear, Ring 92 Teeth	1
25	9472960029	Carrier, Planetary Assembly	1
26	9472960033	Gear, Sun	1
27	9806960014	Shaft, Extension	1
28	9796960085	O-Ring, 10.50" ID	2
29	9706960027	Plate, Thrust - 45	1
30	9082960014	Bearing	1
31	9796960087	Seal, 3.25" ID	1
32	9754960029	Retainer Ring	1
33	7445040445	Adapter	3
34	70050372	Hose, 0.25" - R1 x 16.00"	1
35	7115182250	Capscrew, 0.50"-13NC x 2.75"	4
36	7950180000	Lockwasher, 0.50" ID	4
37	9183960001	Vent	1
38	9701960010	Plug	2
39	9177960002	Support, Motor End	1

ITEM	PART NO.	DESCRIPTION	QTY
40	9443960006*	Adapter	1
41	9935960026	Cartridge, Counterbalance	1
42	9701960013	Plug Assembly	1
43	70050373	Hose, 0.25" - R1 x 14.00"	1
44	70050369	O-Ring, 1.12" ID	2
45	9796960088	O-Ring, 0.81" ID	2

* Item Not Shown
 ** Items Sold Only As Part Of Kit - 9577960119
 > Items Sold Only As Part Of Kit - 9577960120

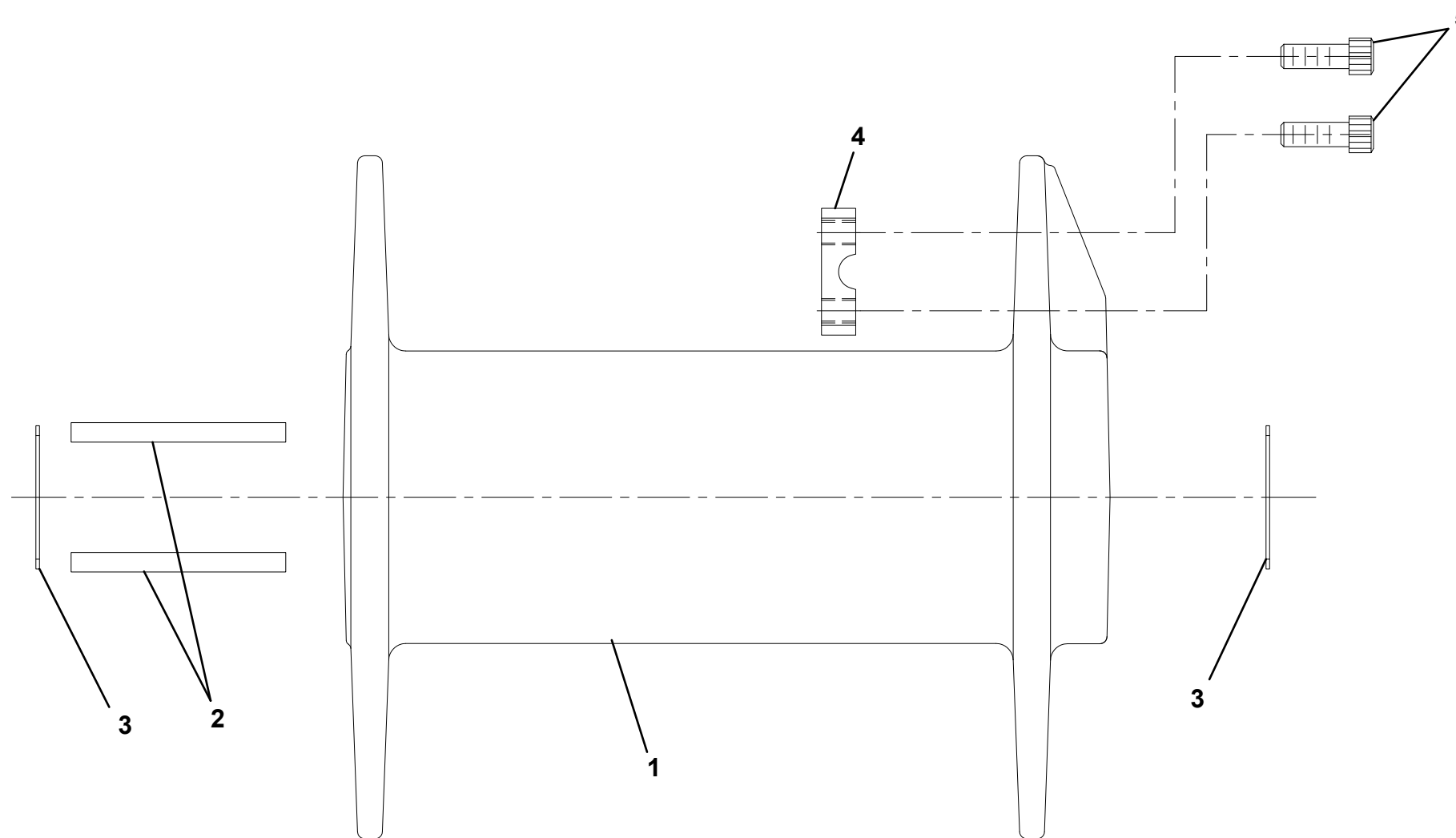
DP WINCH 50K - MOTOR END INSTALLATION



DP WINCH 50K - DRUM INSTALLATION

ITEM	PART NO.	DESCRIPTION	QTY
1	70050381	Drum, Winch	1
2	70050382	Key, Shaft Output	2
3	70050383	Retaining Ring	2
4	9280960002	Clip, Cable - Threaded	1
5	7110201823	Capscrew, 0.63"-11NC x 2.25"	2

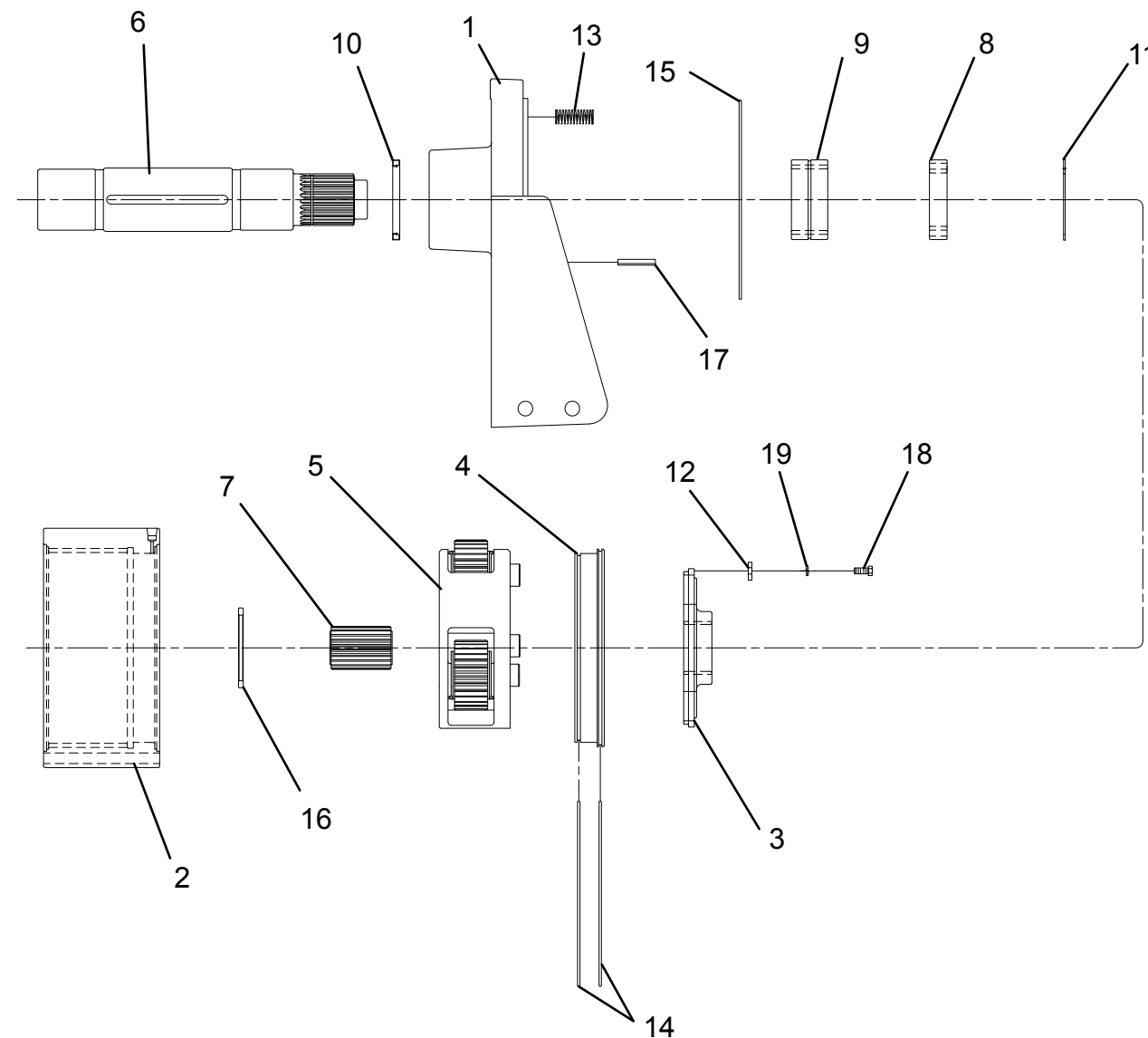
DP WINCH 50K - DRUM INSTALLATION



DP WINCH 50K - GEAR END INSTALLATION

ITEM	PART NO.	DESCRIPTION	QTY
1	9177960001	Support, Gear End	1
2	9472960036	Gear, Ring - 103 Teeth	1
3	9281960004	Clutch	1
4	9698960009	Piston	1
5	9472960030	Carrier Assembly	1
6	9806960015	Shaft, Output	1
7	70050380	Gear, Sun	1
8	9154960027	Ring, Thrust	1
9	9082960014	Bearing, Roller	1
10	9796960087	Seal	1
11	9754960029	Retaining Ring	1
12	9698960010	Piston Retainer	3
13	9843960025	Spring	3
14	9796960093	O-Ring, 9.75" ID	2
15	9796960085	O-Ring, 10.50" ID	1
16	9949960013	Washer, Nylon 4.25" OD	1
17	7690153245	Pin	2
18	7115150650	Capscrew, 0.32"-18NC x 0.75"	6
19	9949960050	Lockwasher, 0.32" ID	6

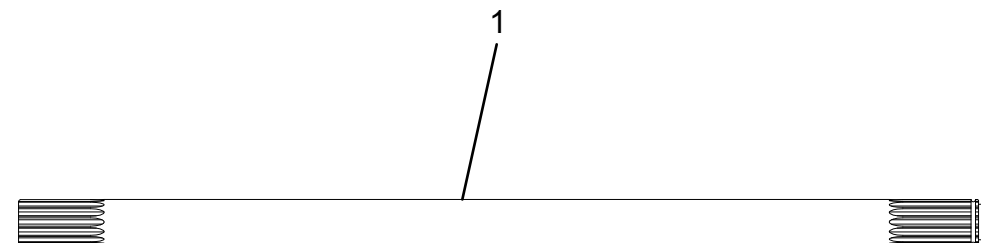
DP WINCH 50K - GEAR END INSTALLATION



DP WINCH 50K - INPUT SHAFT

ITEM	PART NO.	DESCRIPTION	QTY
1	70050374	Input Shaft	1

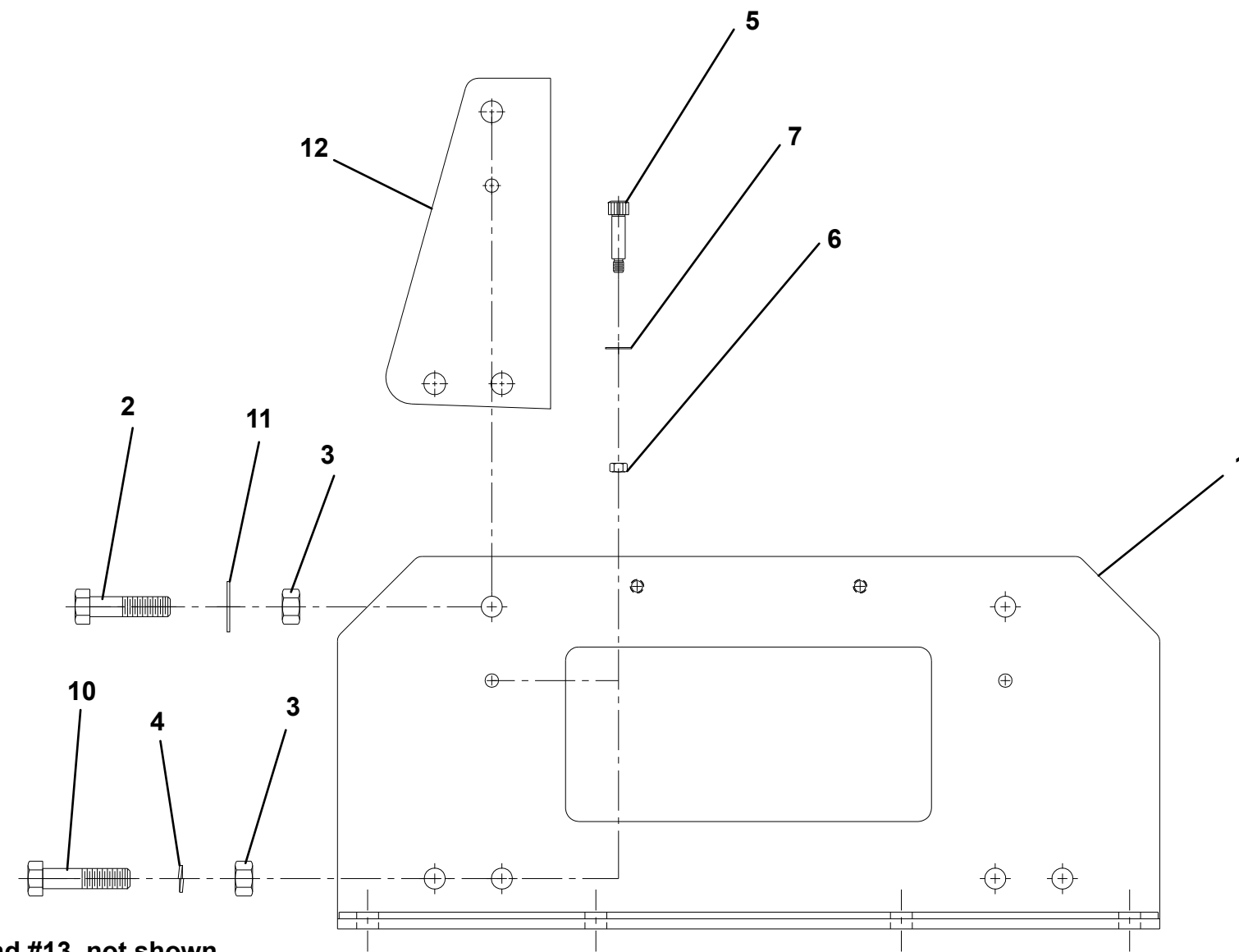
DP WINCH 50K - INPUT SHAFT



DP WINCH 50K - BASE MOUNT INSTALLATION

ITEM	PART NO.	DESCRIPTION	QTY
1	9073960002	Base, Mount	2
2	7115222450	Capscrew, 0.75"-10NC x 3.00"	4
3	7660220001	Nut, 0.75"-10NC	12
4	7950220000	Lockwasher, 0.75" ID	8
5	9120960020	Bolt, 0.50" x 2.00"	4
6	9661960033	Nut, 0.38"-16NC	4
7	9949960051	Flatwasher, 0.38" ID	4
8	70050384	Plate, Winch Information	1
9	70050147	Rivet	4
10	7115222650	Capscrew, 0.75"-10NC x 3.25"	8
11	7950220151	Flatwasher, 0.75" ID	4
12	9831960007	Spacer	4
13	9577960113	Kit, Cable Hold Down	1

DP WINCH 50K - BASE MOUNT INSTALLATION

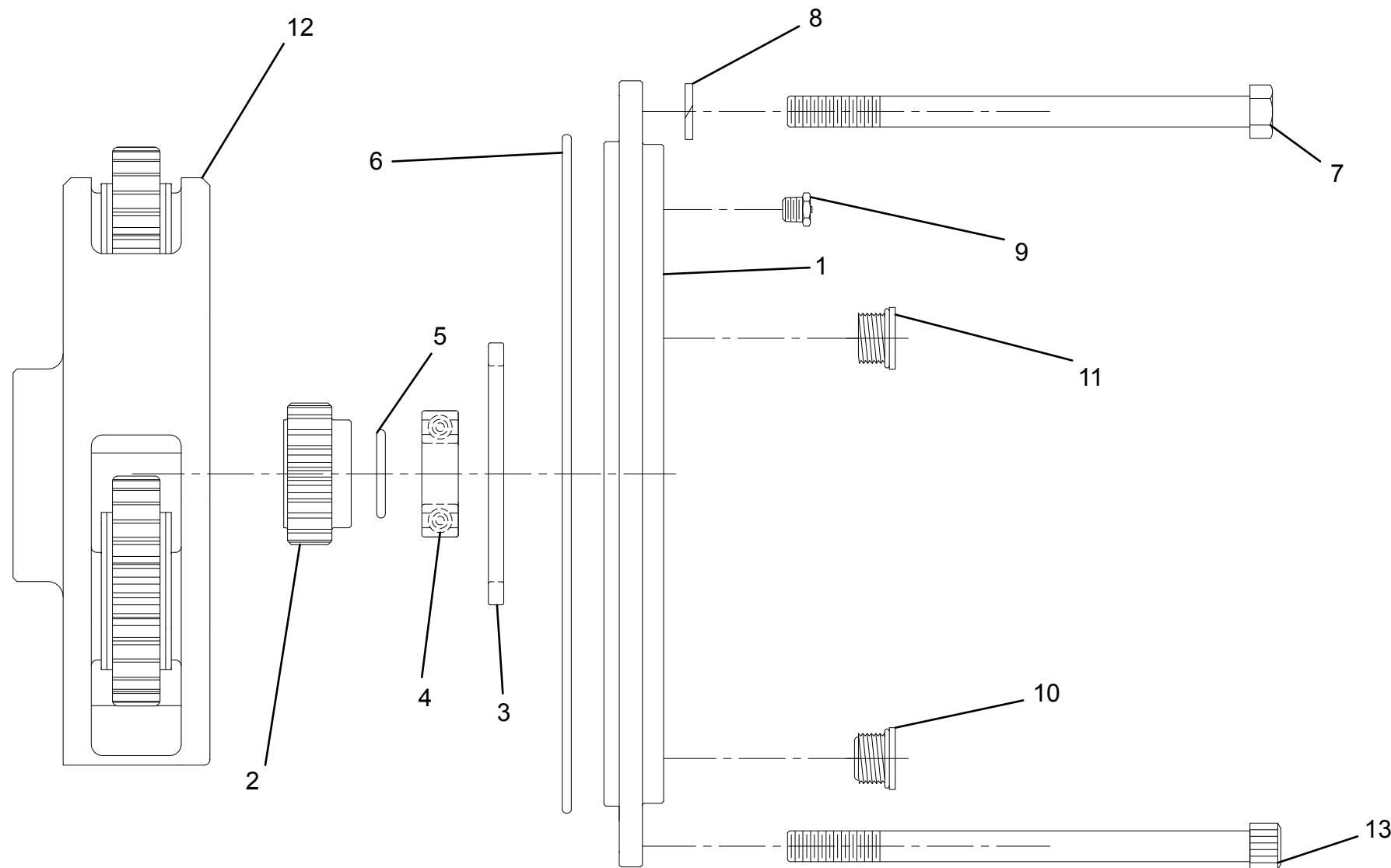


Items #8, #9, and #13, not shown

DP WINCH 50K - GEAR END COVER INSTALLATION

ITEM	PART NO.	DESCRIPTION	QTY
1	70050375	Cover	1
2	70050376	Gear, Sun Primary 29 Teeth	1
3	9949960013	Washer, Thrust - Nylon 4.25" OD x .25"	1
4	9082960015	Bearing	1
5	9754960030	Retaining Ring	1
6	9796960085	O-Ring, 10.50" ID	1
7	70050377	Capscrew, 0.50"-13NC x 7.50"	10
8	7950180000	Lockwasher, 0.50" ID	10
9	9183960001	Vent	1
10	9701960012	Plug	1
11	9701960011	Plug	1
12	70050378	Carrier Assembly	1
13	70050379	Capscrew, 0.50"-13NC x 7.00"	2

DP WINCH 50K - GEAR END COVER INSTALLATION

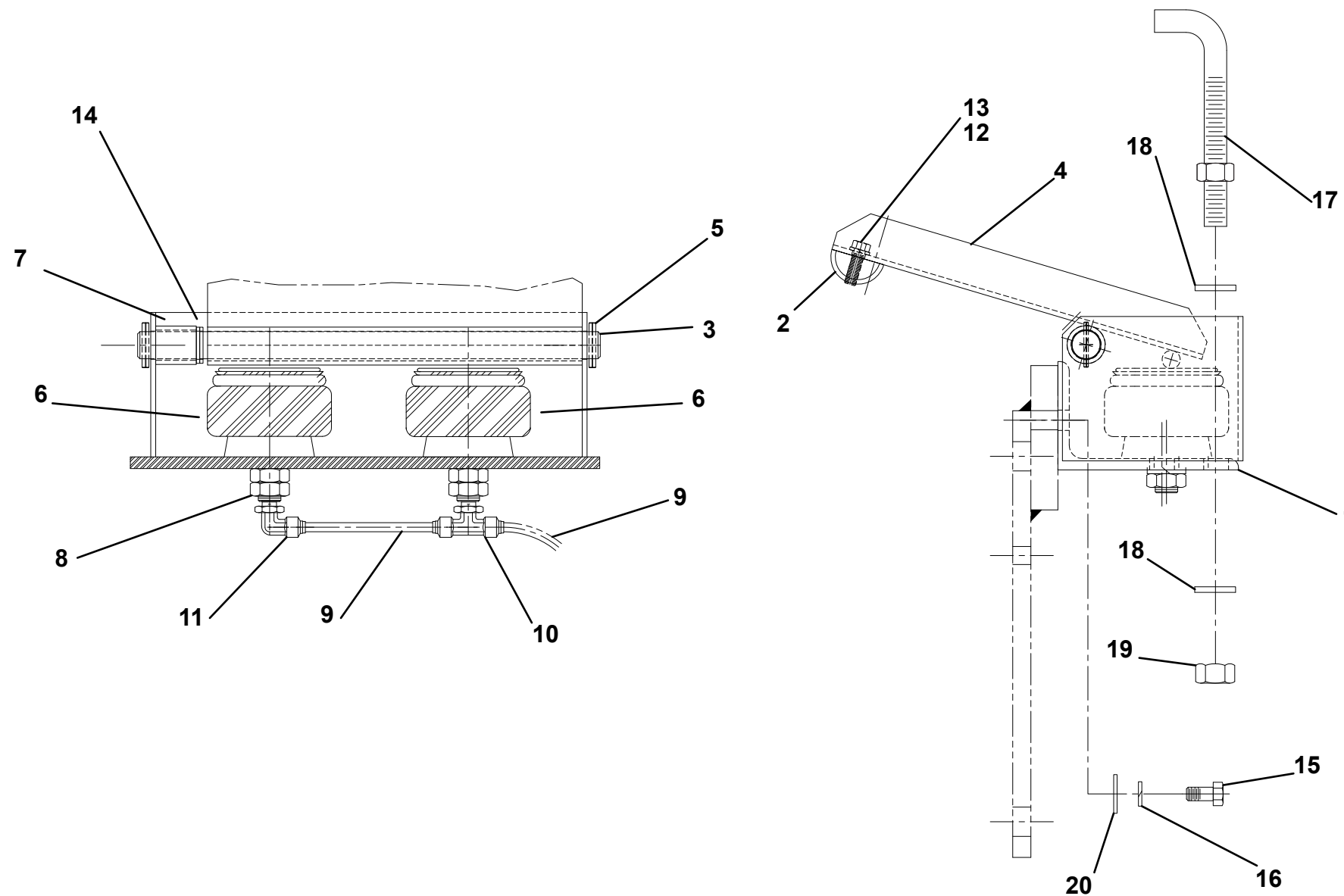


DP WINCH 50K - CABLE HOLD DOWN KIT

ITEM	PART NO.	DESCRIPTION	QTY
1	9178960011	Bracket	1
2	9064960001	Bar	1
3	9691960019	Pin	1
4	9020960002	Arm, Pivot	1
5	9690960039	Cotter Pin	2
6	9843960023	Spring, Air Cushion	2
7	9831960009	Spacer	1
8	7660200200	Nut, 0.63"-11NC	4
9	9912960010	Tubing	1
10	7443000205	Adapter	1
11	7443000204	Adapter	1
12	9949960050	Lockwasher, 0.63" ID	3
13	9120960063	Capscrew, 0.63"-18NC x 1.00"	3
14	9949960012	Washer	2
15	7115181650	Capscrew, 0.50"-13NC x 1.00"	2
16	7950180000	Lockwasher, 0.50" ID	2
17	9120960019	Bolt, 0.63" x 6.50" 90 Degree	1
18	7950200151	Flatwasher, 0.63" ID	2
19	7660200001	Nut, 0.63"-11NC	1
20	70050385	Flatwasher, 0.50" ID	2

All items can be purchased as Assembly 9577960113

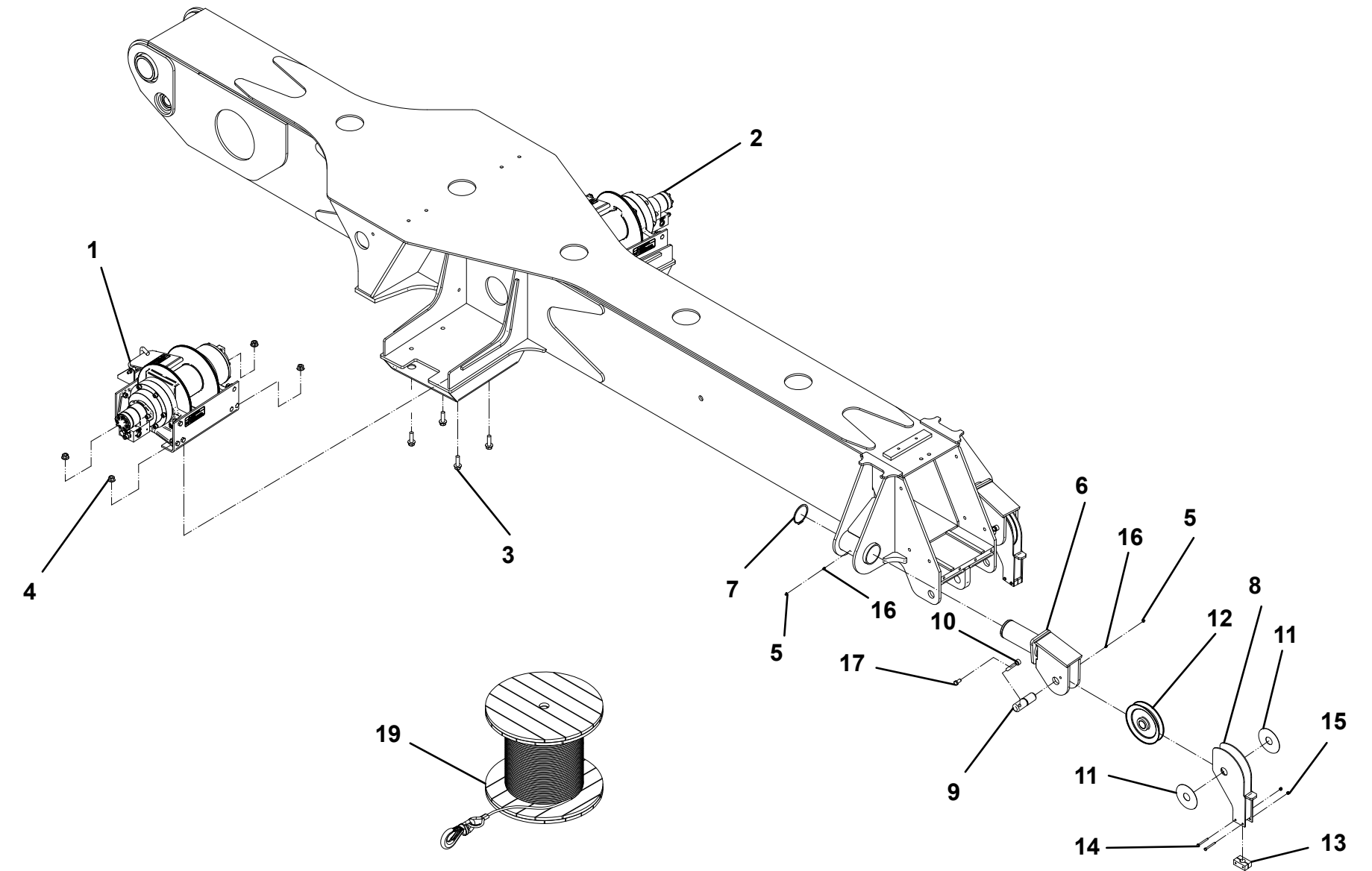
DP WINCH 50K - CABLE HOLD DOWN KIT



AUXILIARY WINCH INSTALLATION

ITEM	PART NO.	DESCRIPTION	QTY
1	1001157913	Winch, DP20	1
2	1001157914	Winch, DP20	1
3	7118201616	Capscrew, 0.63"-11NC x 2.00"	8
4	7661000018	Nut, 0.63"-11NC	8
5	7253000002	Grease Fitting Cap	4
6	1001169617	Sheave Support Weldment	2
7	7754000049	Retaining Ring	2
8	3249000012	Cable Guide Weldment	2
9	1001169893	Pin	2
10	3841203	Rod	2
11	4949000045	Washer, 1.53" ID X 0.06"	4
12	1001157954	Sheave	2
13	4249000002	Cable Guide	4
14	7115142050	Capscrew, 0.25"-20NC x 2.50"	4
15	7660142604	Locknut, 0.25"-20NC	4
16	7440030000	Grease Fitting	4
17	7115180850	Capscrew, 0.50"-13NC X 1.00"	2
18	100011	Thread Locker	A/R
19	1001159354	Wire Rope w/ Swivel	2

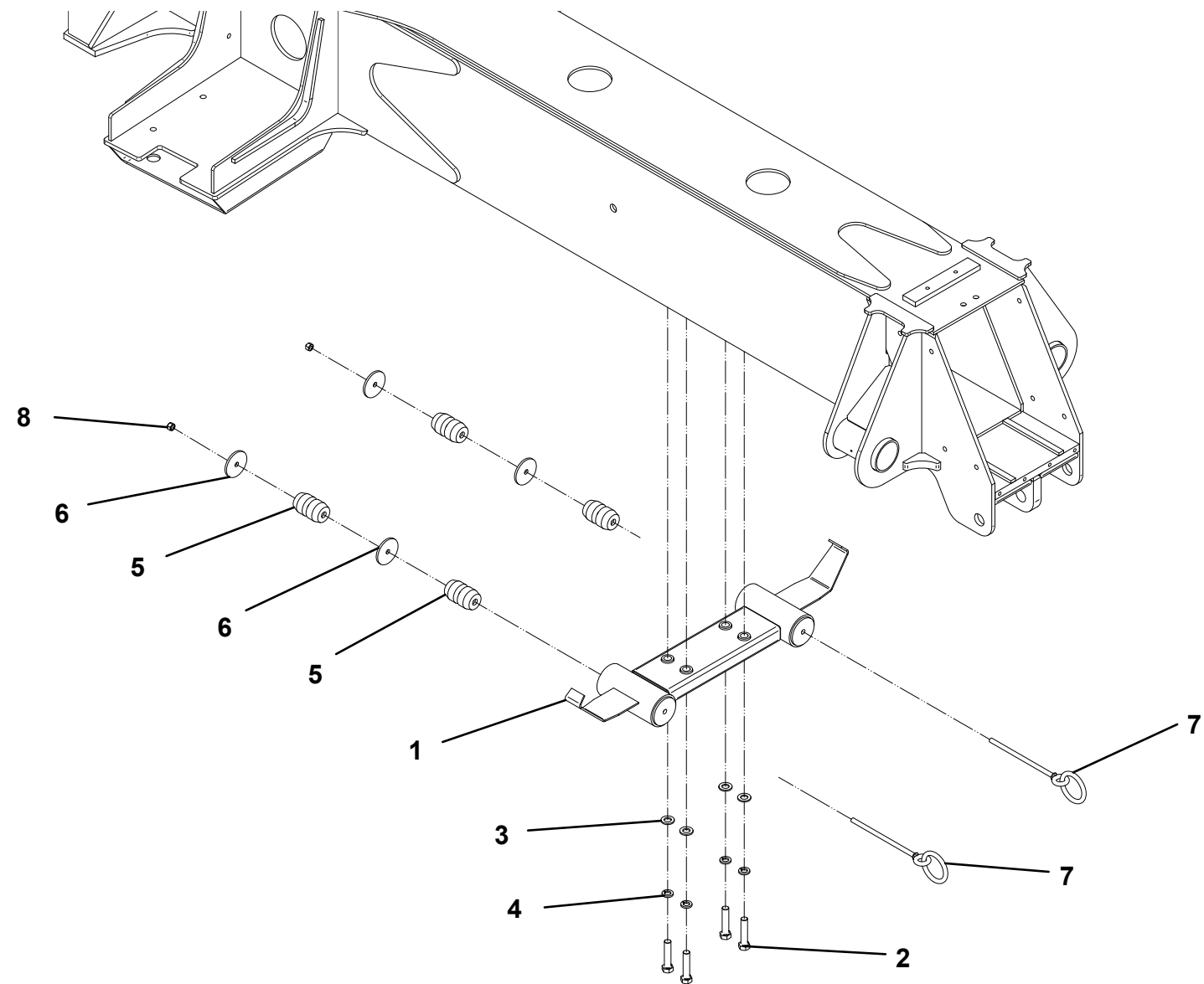
AUXILIARY WINCH INSTALLATION



AUXILIARY WINCH CABLE TIE-BACK INSTALLATION

ITEM	PART NO.	DESCRIPTION	QTY
1	1001158198	Bracket, Cable Tie-Back	1
2	7118222850	Capscrew, 0.75"-10NC x 3.50"	4
3	7950220141	Flatwasher, 0.75" ID	4
4	7950220000	Lockwasher 0.75"ID	4
5	7189000014	Spring	4
6	4831000115	Spacer	4
7	7120000053	Ring Bolt, 0.50" - 13UNC x 10.00"	2
8	7660182601	Locknut, 0.50"-13NC	2

AUXILIARY WINCH CABLE TIE-BACK INSTALLATION



DP WINCH 20K - MOTOR END INSTALLATION

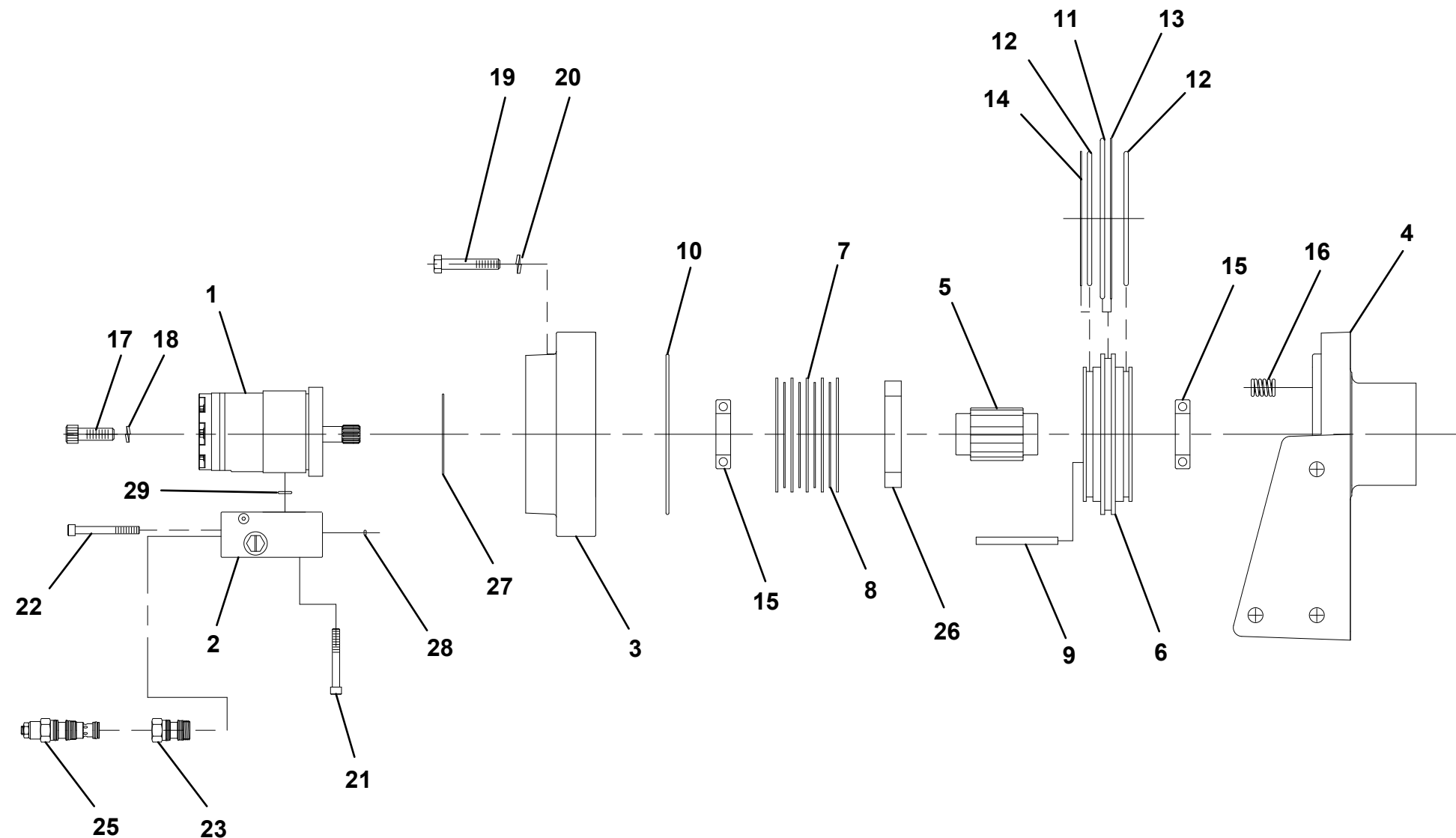
ITEM	PART NO.	DESCRIPTION	QTY
1	70050113	Motor, Hydraulic	1
2	70050739	Valve, Counterbalance	1
3	70050741	Housing, Brake	1
4	70050742	Support, Motor End	2
5	70050743	Shaft, Brake	1
6	9698960008	Piston, Brake	1
7	**	Plate, Friction Disc	5
8	**	Plate, Brake Drive	4
9	9691960021	Pin	2
10	<	O-Ring, 7.00" ID	1
11	<	O-Ring, 6.50" ID	1
12	<	O-Ring, 5.38" ID	2
13	<	Ring, 6.25" ID	1
14	<	Ring, 5.28" ID	1
15	9082960013	Bearing	2
16	**	Spring	12
17	70050127	Capscrew, 0.50"-13NC x 1.25"	2
18	7950180800	Lockwasher, 0.50"	2
19	7118172050	Capscrew, 0.44"-14NC x 2.50"	6
20	7950170000	Lockwasher, 0.44"	6
21	70050744	Capscrew, 0.31"-18NC x 2.00"	4
22	70050126	Capscrew, 0.25"-20NC x 4.50"	1
23	70050132	Plug	1
24	70050401*	Tag, Warning	1
25	70050129	Cartridge, Counterbalance	1
26	9831960008	Spacer, Brake	1
27	9796960145	O-Ring, 3.25" ID	1
28	70050115	O-Ring, 0.13" ID	1
29	70050740	O-Ring, 0.69" ID	2

* Item Not Shown

** Available only in Kit 9577960119

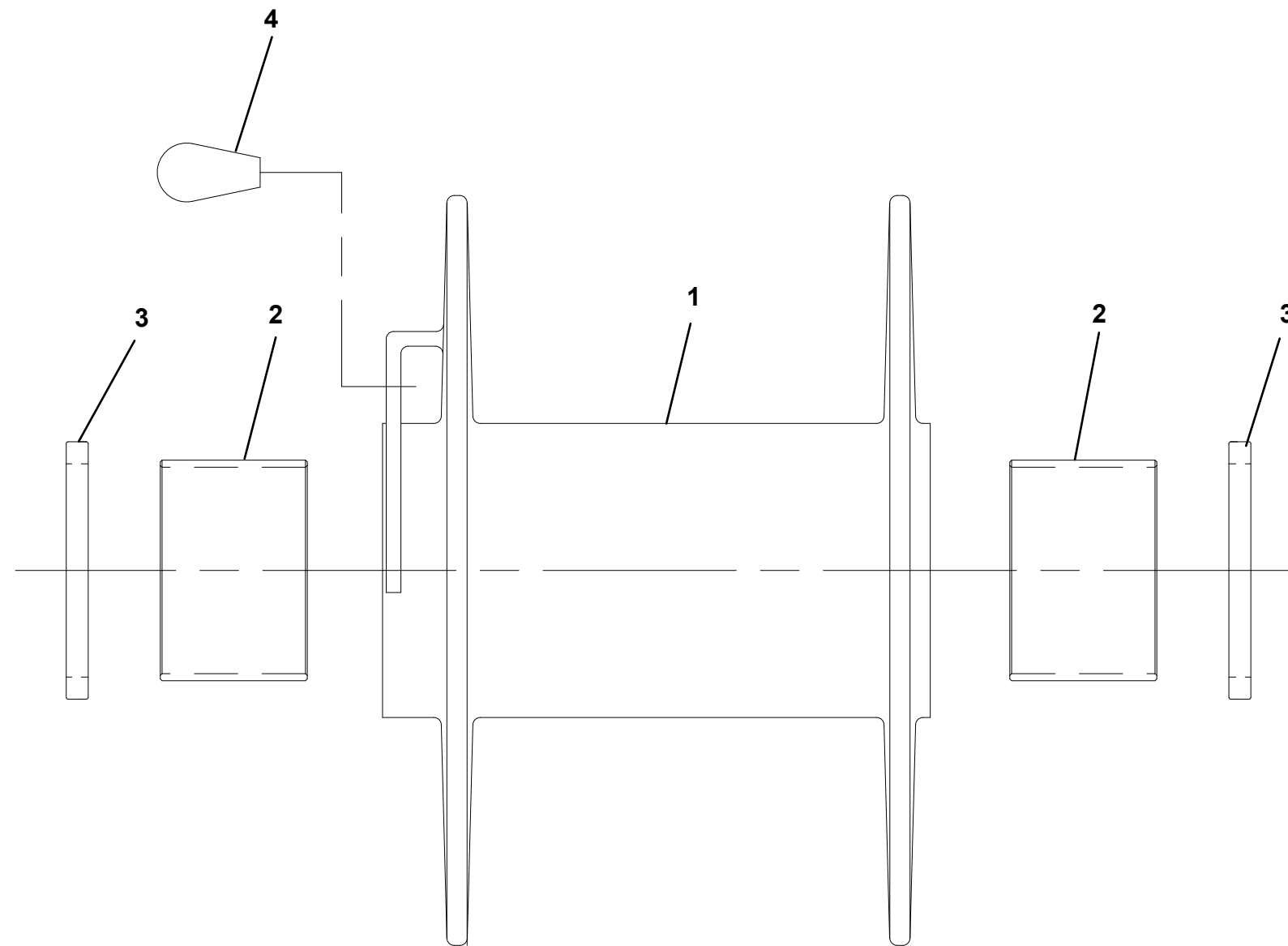
< Available only in Kit 9577960120

DP WINCH 20K - MOTOR END INSTALLATION



DP WINCH 20K - DRUM INSTALLATION

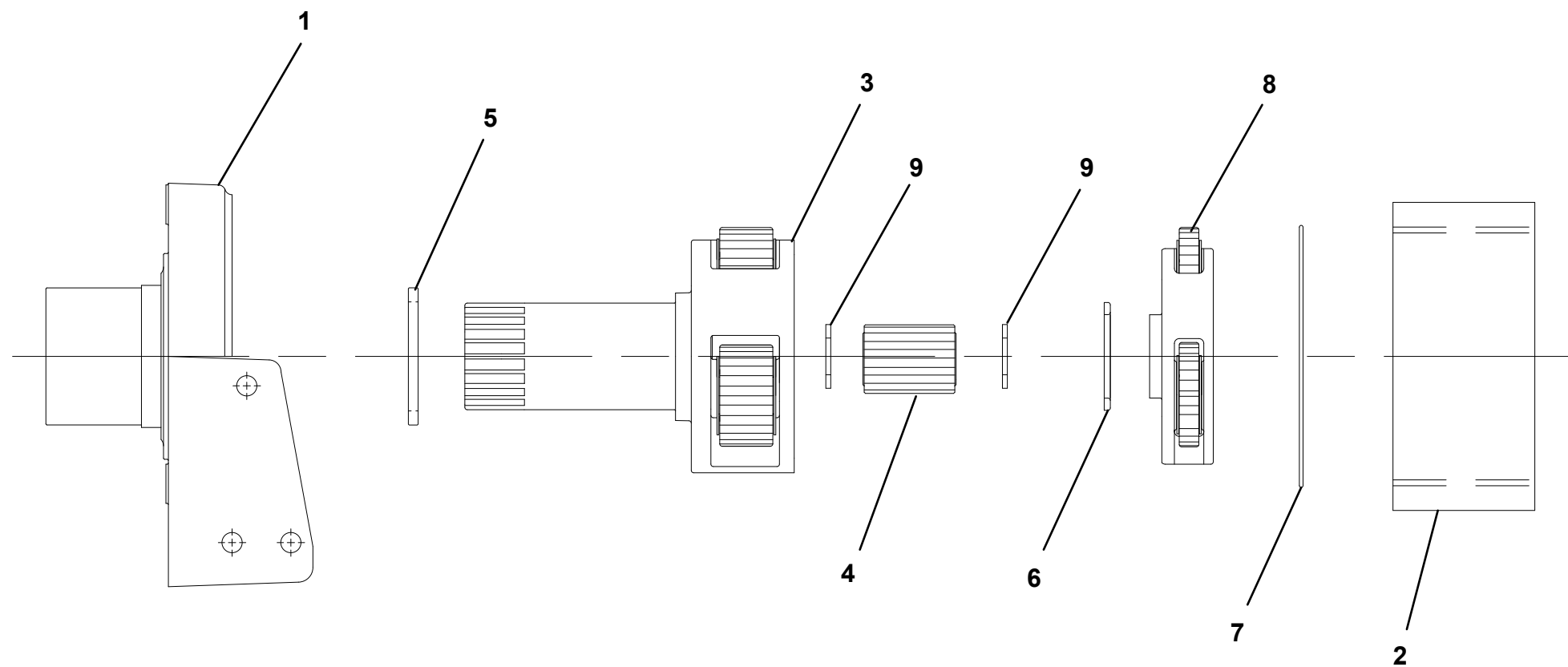
ITEM	PART NO.	DESCRIPTION	QTY
1	70050745	Drum	1
2	70050746	Bearing	2
3	70050747	Seal, 3.63" ID	2
4	70050749	Wedge, 0.56"	1

DP WINCH 20K - DRUM INSTALLATION

DP WINCH 20K - GEAR END INSTALLATION

ITEM	PART NO.	DESCRIPTION	QTY
1	70050750	Support, Gear End	1
2	70050139	Gear, Ring	1
3	70050751	Carrier Assembly	1
4	70050140	Gear	1
5	70050752	Washer, Thrust - Nylon	1
6	9949000056	Washer, Thrust - Nylon	1
7	9796960188	O-Ring, 6.50" ID	1
8	70050141	Carrier	1
9	9949960057	Washer, Thrust	2

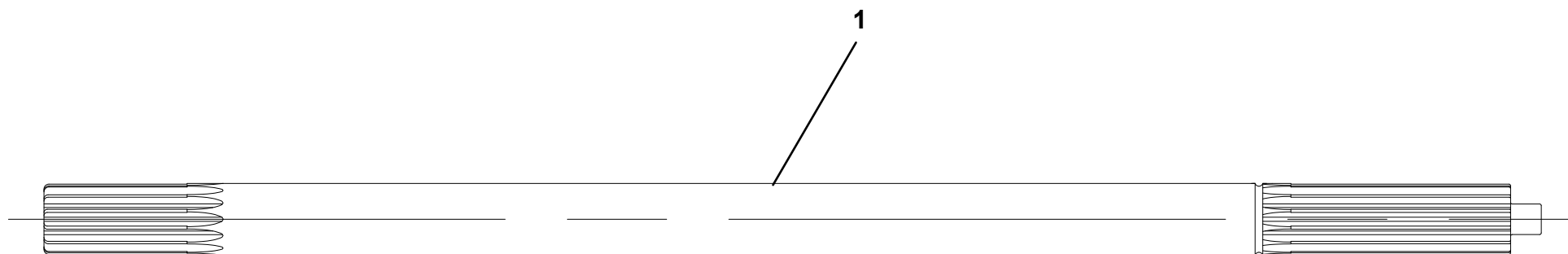
DP WINCH 20K - GEAR END INSTALLATION



DP WINCH 20K - INPUT SHAFT INSTALLATION

ITEM	PART NO.	DESCRIPTION	QTY
1	70050753	Input Shaft	1

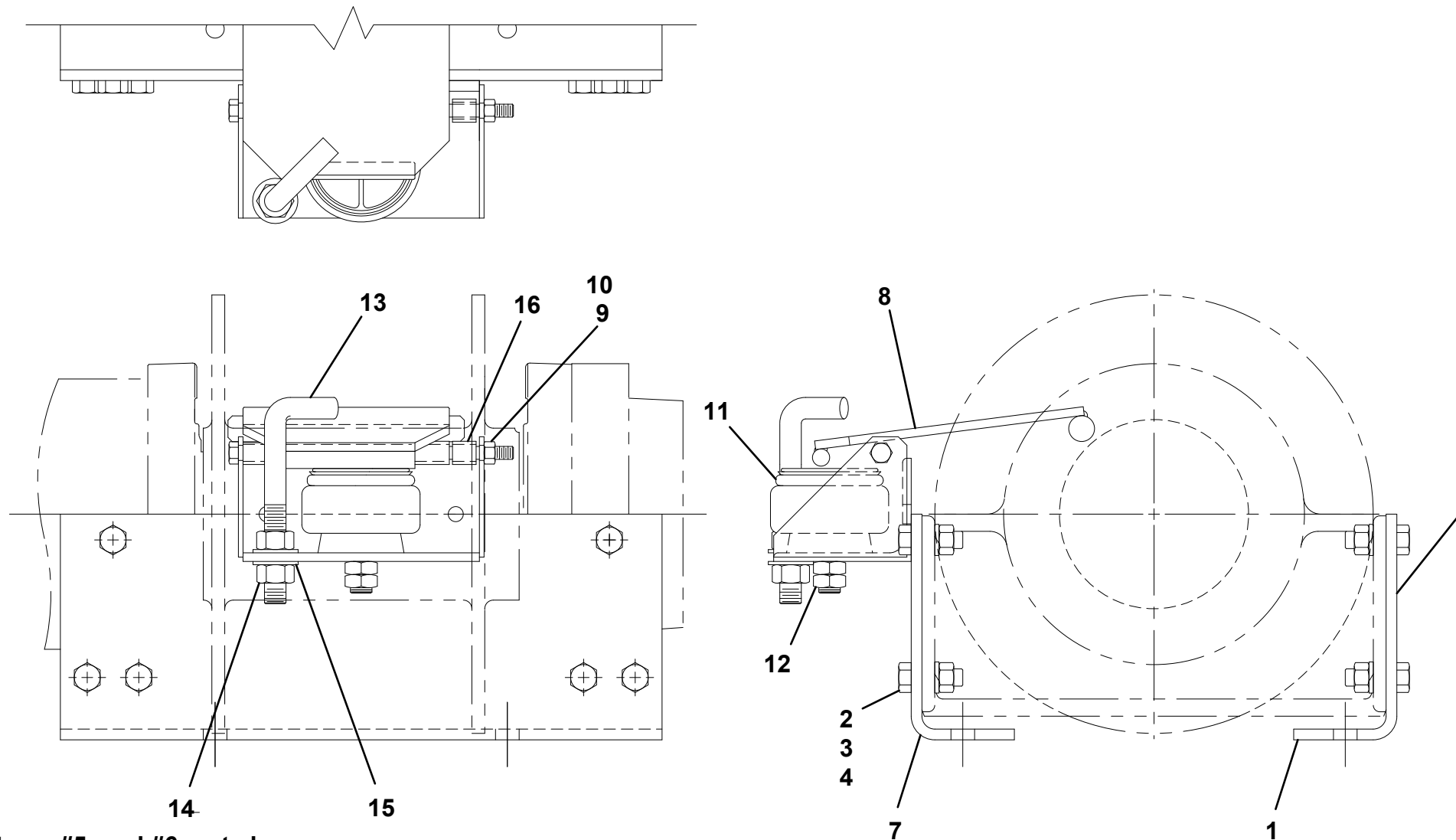
DP WINCH 20K - INPUT SHAFT INSTALLATION



DP WINCH 20K - BASE MOUNT INSTALLATION

ITEM	PART NO.	DESCRIPTION	QTY
1	70050754	Base, Angle	1
2	70050755	Capscrew, 0.50"-13NC x 1.50"	12
3	70050756	Nut, 0.50"-13NC	12
4	7950180000	Lockwasher, 0.50" ID	12
5	70050384	Plate, Winch Information	1
6	70050147	Rivet	4
7	70050757	Base, Angle	1
8	70050758	Arm, Rub Bar	1
9	70050759	Capscrew, 0.38"-16NC x 8.00"	1
10	9661960034	Locknut, 0.38"-16NC	1
11	9843960023	Spring, Air Cushion	1
12	7660200200	Nut, 0.63"-11NC	2
13	9120960019	Bolt, 0.63" x 6.50" 90 Degree	1
14	7660200001	Nut, 0.63"-11NC	1
15	7950200151	Flatwasher, 0.63" ID	2
16	70050760	Spacer, Rub Bar	1

DP WINCH 20K - BASE MOUNT INSTALLATION



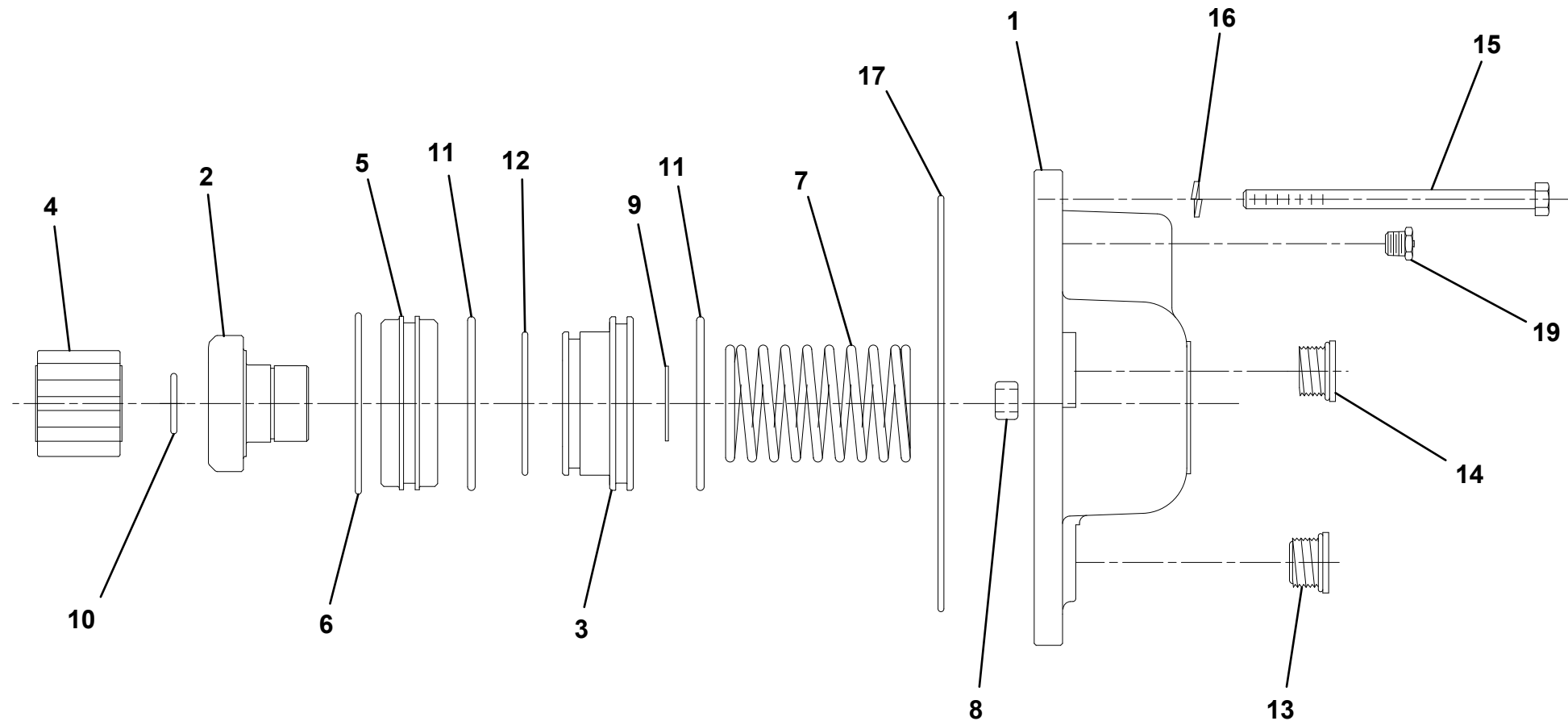
Items #5, and #6, not shown

DP WINCH 20K - GEAR END COVER INSTALLATION

ITEM	PART NO.	DESCRIPTION	QTY
1	70050151	Cover	1
2	70050085	Coupling, Drive	1
3	70050086	Piston	1
4	70050152	Gear	1
5	9698960015	Piston, Cylinder	1
6	9754960026	Ring, Retainer	1
7	9843960032	Spring	1
8	9209960026	Bushing	1
9	9754960046	Ring, Retainer	1
10	9754960047	Ring, Retainer	1
11	9796960116	O-Ring, 2.63" ID	2
12	9796960118	O-Ring, 2.13" ID	1
13	9701960012	Plug	1
14	9701960011	Plug	1
15	70050761	Capscrew, 0.44"-18NC x 4.75"	8
16	9949960050	Lockwasher, 0.44" ID	8
17	9796960188	O-Ring, 6.50" ID	1
18	9701960018*	Caplug	1
19	9183960001	Vent	1

* Item Not Shown

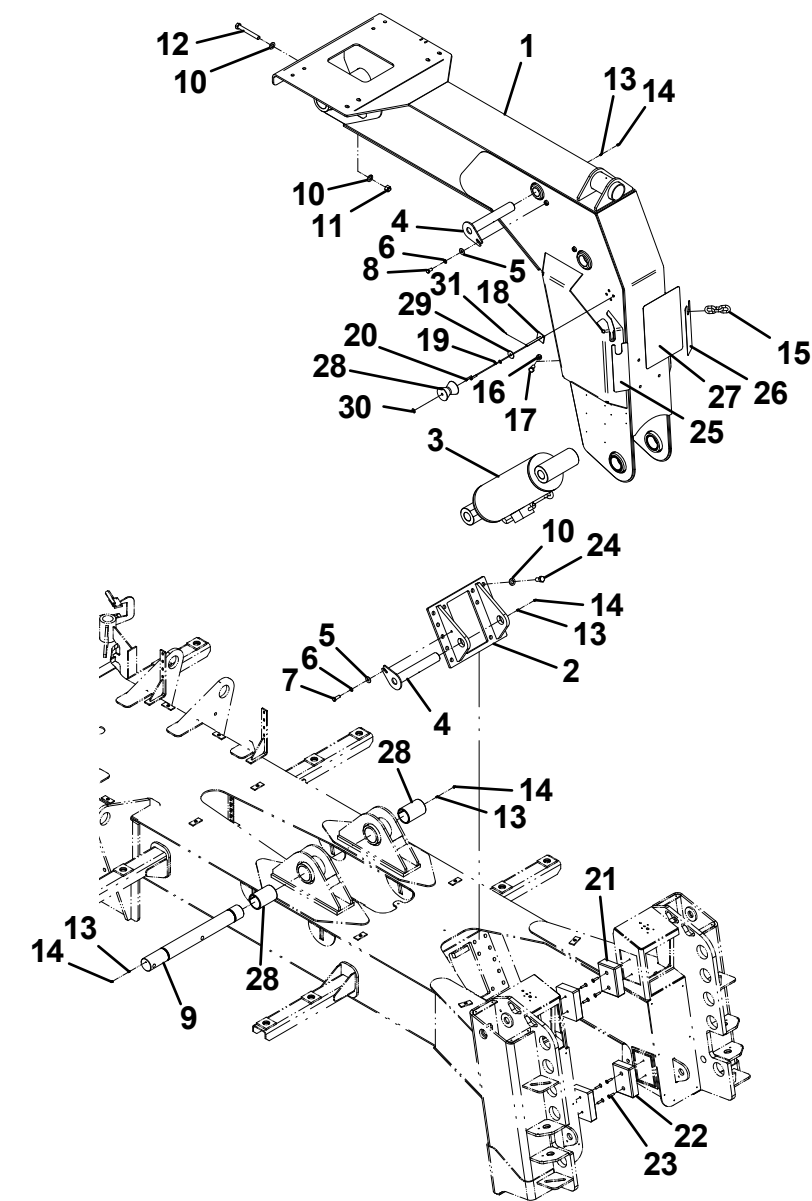
DP WINCH 20K - GEAR END COVER INSTALLATION



UNDERLIFT BOOM INSTALLATION - 30,000/35,000 LB

ITEM	PART NO.	DESCRIPTION	QTY
1	1001128440	Underlift Knee Boom	1
2	1001128450	Bracket, Lift Cylinder Support	1
3	7320000040	Underlift Lift Cylinder Assembly	1
4	3691000171	Pin	2
5	7950180161	Flatwasher, 0.50" ID	3
6	7950180000	Lockwasher, 0.59" ID	3
7	7115181250	Capscrew, 0.50"-13NC x 1.50"	1
8	7115180850	Capscrew, 0.50"-13NC x 1.00"	2
9	1001128697	Pin	1
10	7950220141	Flatwasher, 0.75" ID	18
11	7660222601	Locknut, 0.75"-10NC	1
12	682248	Capscrew, 0.75"-10NC x 6.00"	1
13	7440030000	Grease Fitting	7
14	7253000002	Cap, Grease Fitting	7
15	7262000025	Chain	2
16	7660202601	Locknut, 0.63"-11NC	2
17	7115201250	Capscrew, 0.63"-11NC x 1.50"	2
18	1001172053	Bracket	2
19	7950160141	Flatwasher, 0.38" ID	4
20	7115161450	Capscrew, 0.38"-16NC x 1.75"	4
21	1001129534	Pad, Top	2
22	1001129535	Pad, Bottom	2
23	7115161223	Capscrew, 0.38"-16NC x 1.50"	8
24	682212	Capscrew, 0.75"-10NC x 1.50"	16
25	1001151184	Decal, Wear - LH	1
26	1001151185	Decal, Wear - RH	1
27	1001151049	Decal, Wear	1
28	1001172054	Roller, Chain	2
29	7949000015	Washer	2
30	7950180141	Flatwasher, 0.50" ID	2
31	7691000042	Pin	2

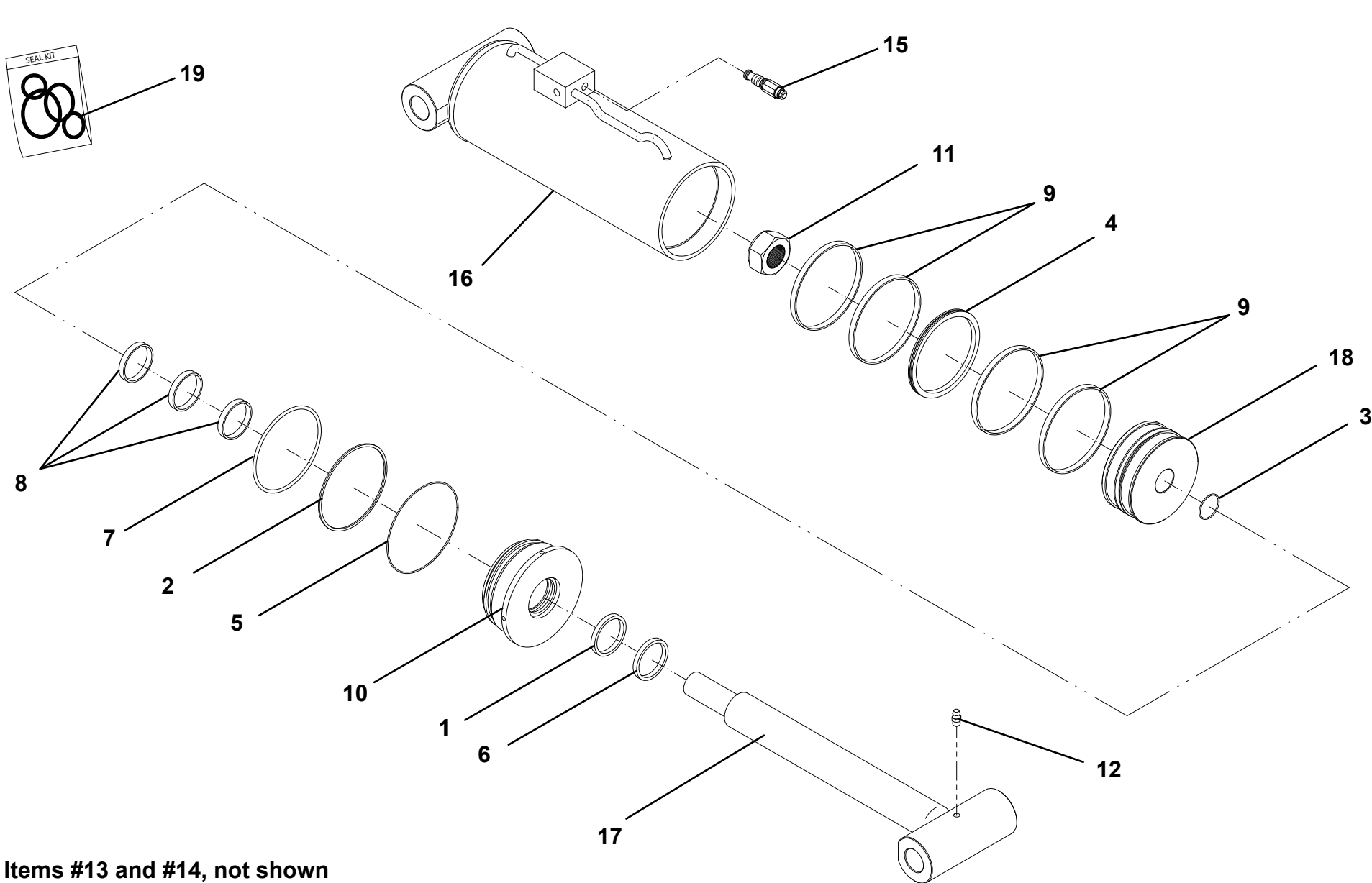
UNDERLIFT BOOM INSTALLATION - 30,000/35,000 LB



UNDERLIFT LIFT CYLINDER ASSEMBLY - 732000040

ITEM	PART NO.	DESCRIPTION	QTY
1	9796250071	Seal	1
2	9754250043	Ring, Back-up	1
3	9796250062	Seal, "O" Ring	1
4	9796250113	Seal	1
5	9796250124	Seal, "O" Ring	1
6	9796250125	Seal, Wiper	1
7	9796250117	Seal, "O" Ring	1
8	83304140	Ring, Wear	3
9	9754250045	Ring, Wear	4
10	7019892	Head	1
11	7005314	Locknut	1
12	7005348	Grease Fitting	1
13	7005365	Plug, Port	1
14	70021648	Plug, Port	2
15	70050216	Valve, Counterbalance	1
16	9912250018	Assembly, Tube	1
17	9763250022	Assembly, Rod	1
18	9698250017	Piston	1
19	7577250255	Kit, Seal	1

UNDERLIFT LIFT CYLINDER ASSEMBLY - 732000040

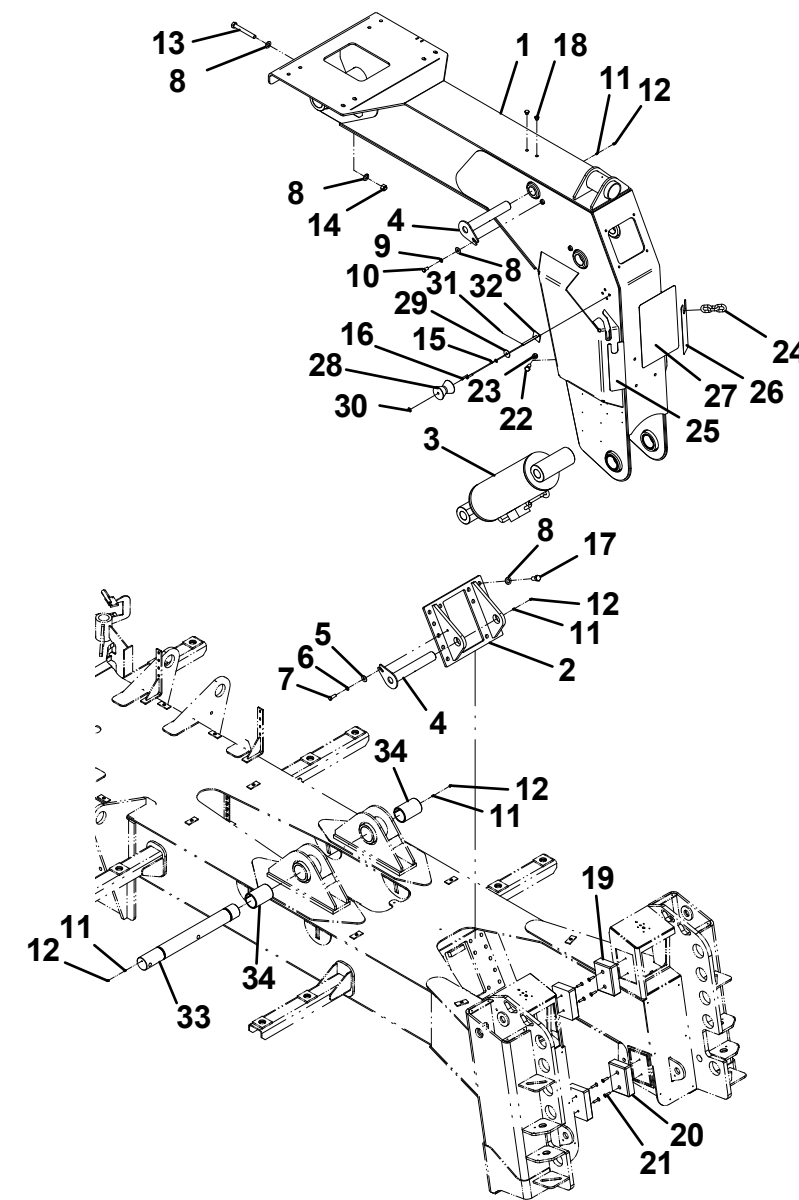


Items #13 and #14, not shown

UNDERLIFT BOOM INSTALLATION - 53,000/56,500 LB

ITEM	PART NO.	DESCRIPTION	QTY
1	1001133242	Underlift Knee Boom	1
2	1001133286	Bracket, Lift Cylinder Support	1
3	7320000063	Underlift Lift Cylinder Assembly	1
4	3691000231	Pin	1
5	7950180161	Flatwasher, 0.50" ID	1
6	7950180000	Lockwasher, 0.59" ID	1
7	7115181250	Capscrew, 0.50"-13NC x 1.50"	1
8	7950220141	Flatwasher, 0.75" ID	20
9	7950220000	Lockwasher, 0.75" ID	2
10	7115220850	Capscrew, 0.75"-10NC x 1.00"	2
11	7440030000	Grease Fitting	5
12	7253000002	Cap, Grease Fitting	7
13	682248	Capscrew, 0.75"-10NC x 6.00"	1
14	7660222601	Locknut, 0.75"-10NC	1
15	7950160141	Flatwasher, 0.38" ID	4
16	7115161450	Capscrew, 0.38"-16NC x 1.75"	4
17	682212	Capscrew, 0.75"-10NC x 1.50"	16
18	7189000017	Rubber Bumper	2
19	4679000127	Pad, Top	2
20	4679000245	Pad, Bottom	2
21	7115160623	Capscrew, 0.38"-16NC x 7.00"	8
22	7115201250	Capscrew, 0.63"-11NC x 1.50"	2
23	7660202601	Locknut, 0.63"-11NC	2
24	7262000025	Chain	2
25	1001151184	Decal, Wear - LH	1
26	1001151185	Decal, Wear - RH	1
27	1001151050	Decal, Wear	1
28	1001172054	Chain Roller	2
29	7949000015	Washer	2
30	7950180141	Flatwasher, 0.50" ID	2
31	7691000042	Pin	2
32	1001172053	Bracket	2
33	1001128697	Pin	1
34	1001128160	Bushing	2

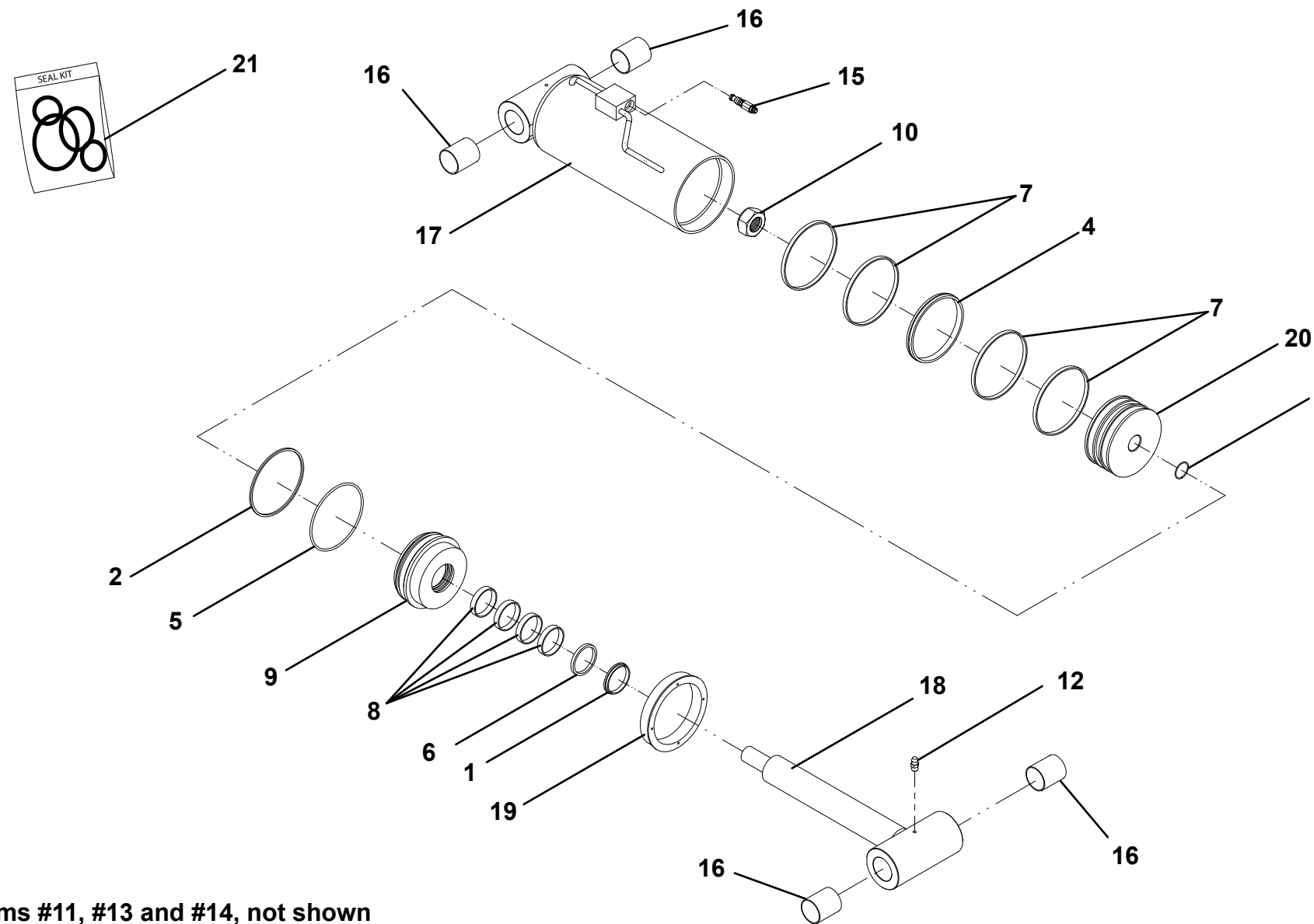
UNDERLIFT BOOM INSTALLATION - 53,000/56,500 LB



UNDERLIFT LIFT CYLINDER ASSEMBLY - 732000063

ITEM	PART NO.	DESCRIPTION	QTY
1	9796250083	Seal, Wiper	1
2	9754250011	Ring, Back-up	1
3	9796250062	Seal, "O" Ring	1
4	70050544	Seal	1
5	7796250068	Seal, "O" Ring	1
6	70050545	Seal	1
7	9754250017	Ring, Wear	4
8	80004049	Ring, Wear	4
9	70050549	Head	1
10	7005314	Locknut	1
11	70021757	Setscrew	1
12	7005348	Grease Fitting	2
13	7005365	Plug, Port	1
14	70021648	Plug, Port	2
15	70050215	Valve, Counterbalance	1
16	70050232	Bushing	4
17	70050546	Assembly, Tube	1
18	70050547	Assembly, Rod	1
19	9254250007	Headcap	1
20	70050548	Piston	1
21	7577000320	Kit, Seal	1

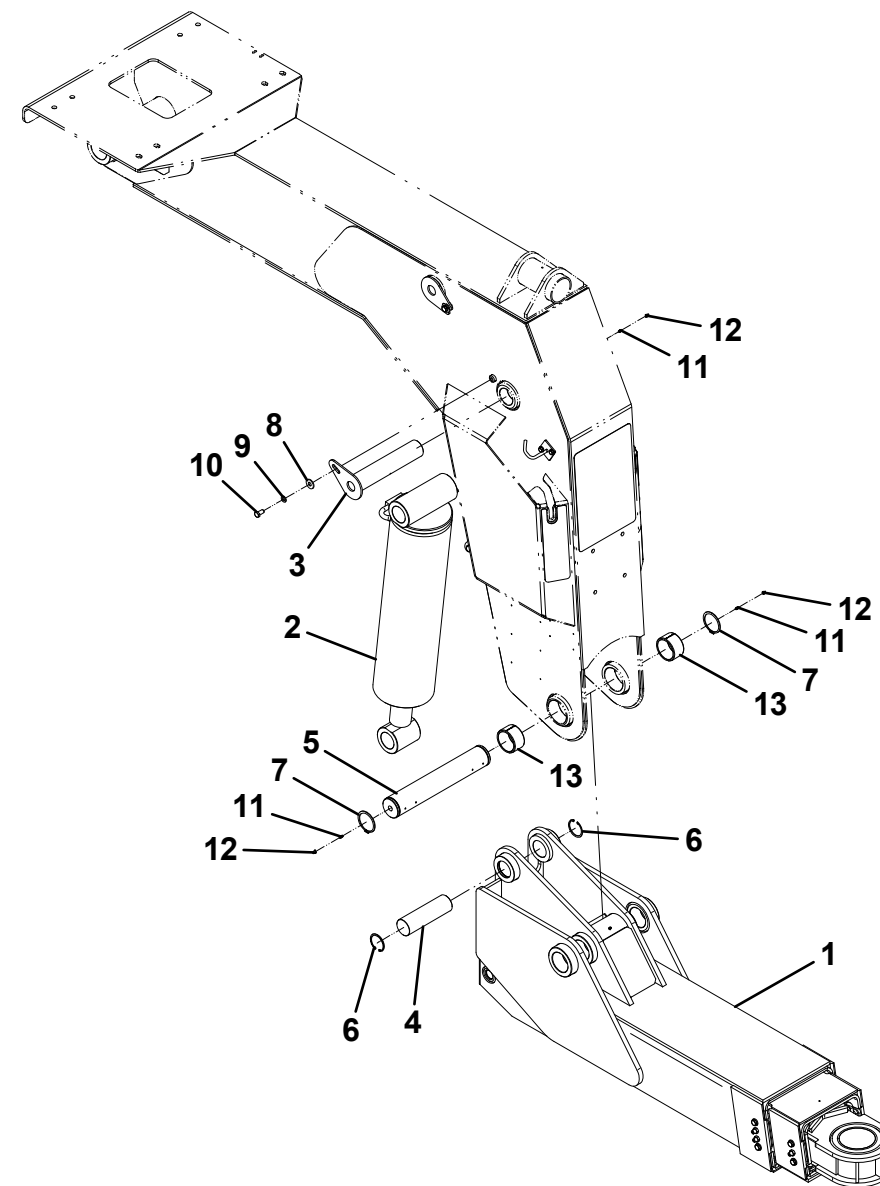
UNDERLIFT LIFT CYLINDER ASSEMBLY - 732000063



UNDERLIFT INSTALLATION - 30,000/35,000 LB

ITEM	PART NO.	DESCRIPTION	QTY
1	317000433	Underlift Boom Assembly - 30,000 LB	1
	317000220	Underlift Boom Assembly - 35,000 LB	
2	732000039	Underlift Tilt Cylinder Assembly	1
3	3691000160	Pin	1
4	4691000317	Pin	1
5	4691000311	Pin	1
6	7754000051	Retaining Ring	2
7	7754000018	Retaining Ring	2
8	7950180161	Flatwasher, 0.50" ID	1
9	7950180000	Lockwasher, 0.50" ID	1
10	7115180850	Capscrew, 0.50"-13NC x 1.00"	1
11	7440030000	Grease Fitting	2
12	7253000002	Cap, Grease Fitting	2
13	7209000029	Bushing	2

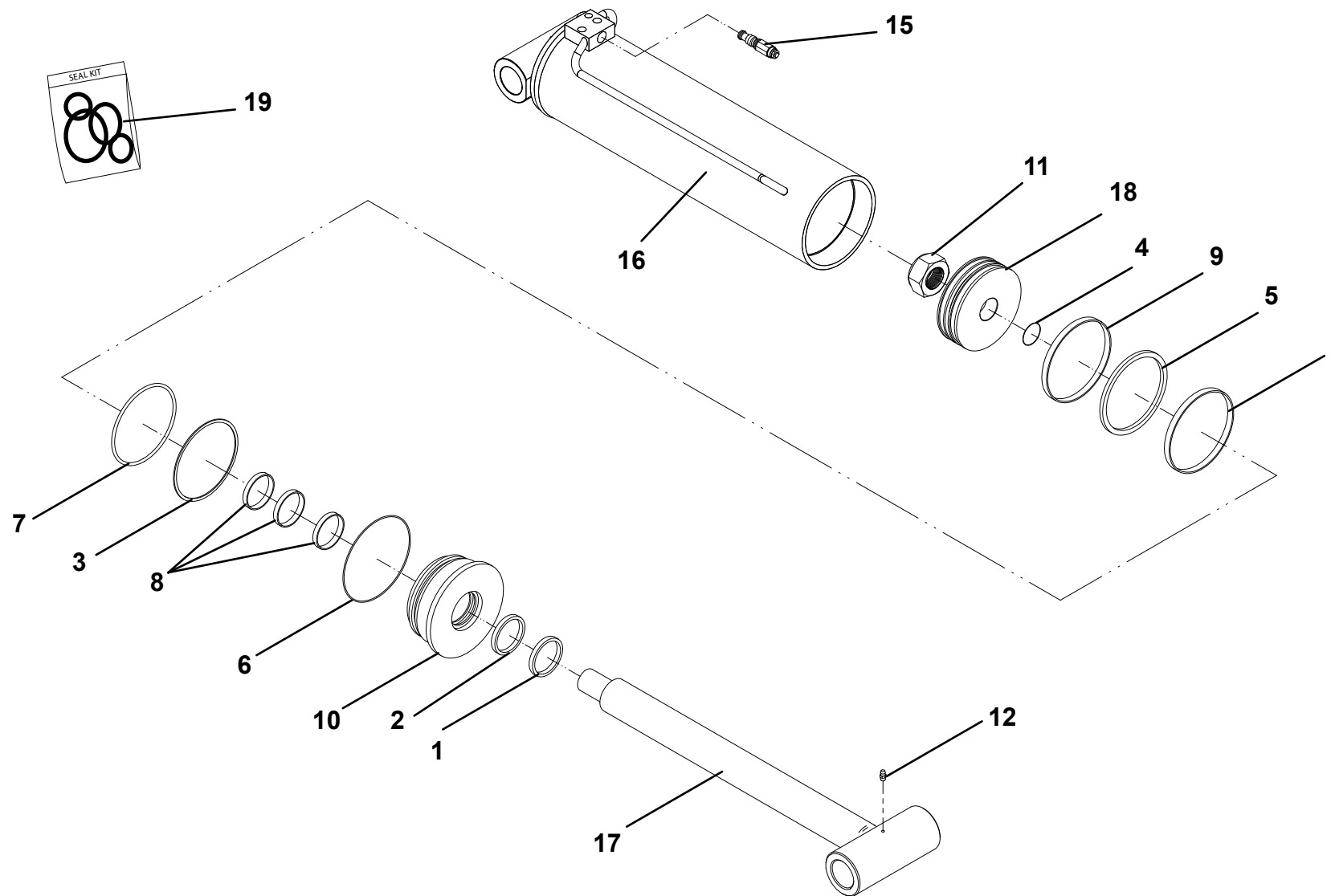
UNDERLIFT INSTALLATION - 30,000/35,000 LB



UNDERLIFT TILT CYLINDER ASSEMBLY - 732000039

ITEM	PART NO.	DESCRIPTION	QTY
1	83304143	Seal, Wiper	1
2	9796250071	Seal	1
3	9754250043	Ring, Back-up	1
4	9796250062	Seal, "O" Ring	1
5	9796250113	Seal	1
6	9796250124	Seal, "O" Ring	1
7	9796250117	Seal, "O" Ring	1
8	83304140	Ring, Wear	3
9	9754250045	Ring, Wear	2
10	7019892	Head	1
11	7005314	Locknut	1
12	7005348	Grease Fitting	1
13	7005365	Plug, Port	3
14	70021648	Plug, Port	2
15	70050216	Valve, Counterbalance	1
16	70050542	Assembly, Tube	1
17	70050543	Assembly, Rod	1
18	9698250014	Piston	1
19	7577250204	Kit, Seal	1

UNDERLIFT TILT CYLINDER ASSEMBLY - 732000039

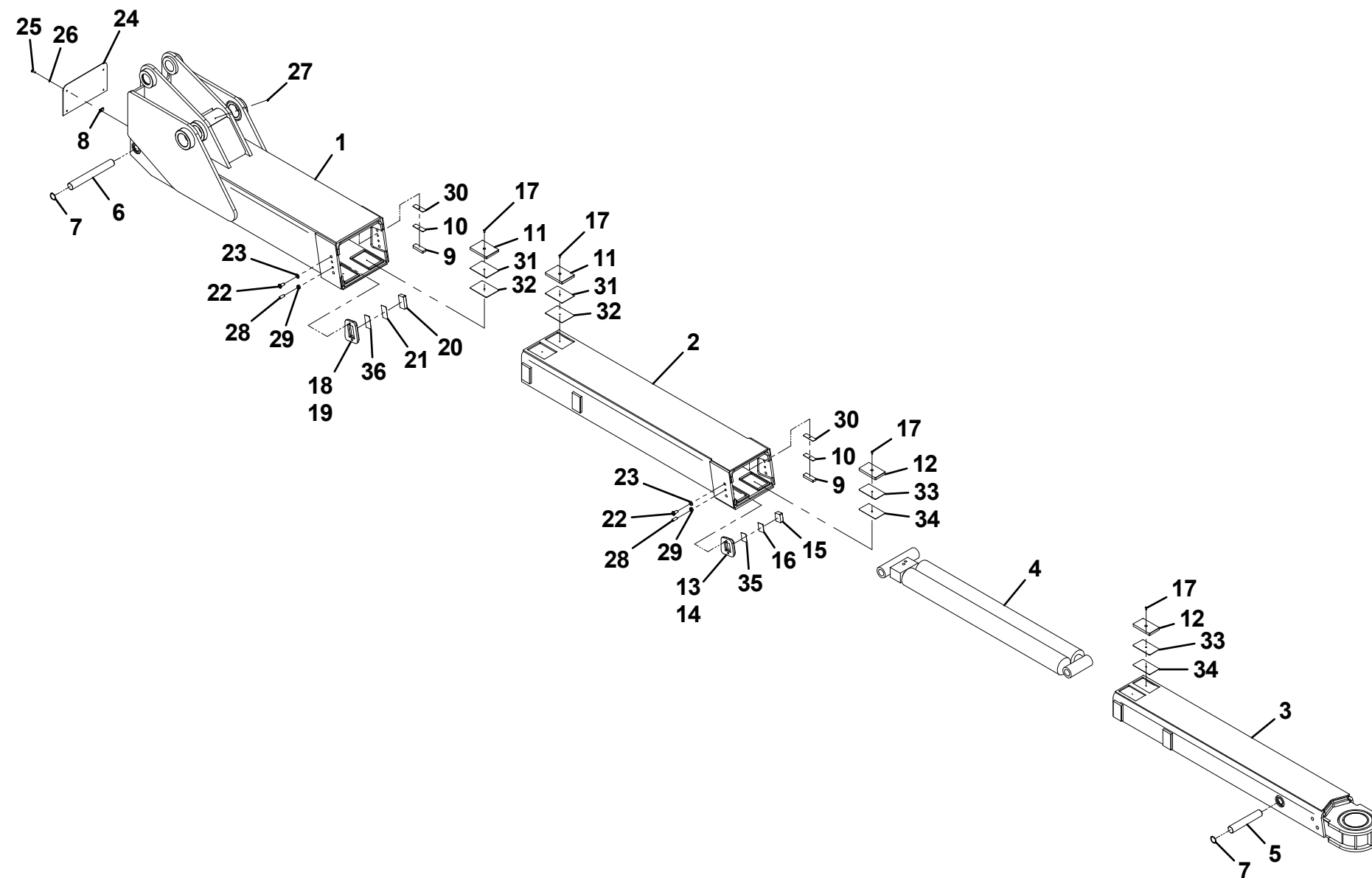


Items #13 and #14, not shown

UNDERLIFT ASSEMBLY - 3170000433 - 30,000 LB

ITEM	PART NO.	DESCRIPTION	QTY
1	3170000432	Base Section Boom Weldment	1
2	3170000431	Mid Section Boom Weldment	1
3	3170000430	Fly Section Boom Weldment	1
4	7320000076	Underlift Extension Cylinder Assembly	1
5	4691000318	Pin	1
6	4691000316	Pin	1
7	7754000043	Retaining Ring	4
8	7661000019	U-Nut, 0.25"-20NC	4
9	4679000159	Pad	2
10	4706003708	Plate	2
11	4679000161	Pad	4
12	4679000158	Pad	4
13	3706000177	Plate	1
14	3706000178	Plate	1
15	4679000206	Pad	2
16	4706003144	Plate	2
17	7114140418	Capscrew, 0.25"-20NC x 0.50"	8
18	3706000179	Plate - LH	1
19	3706000180	Plate - RH	1
20	4679000205	Pad	2
21	4706003719	Plate	2
22	7105180850	Capscrew, 0.50"-20NF x 1.00"	8
23	7950180153	Flatwasher, 0.50" ID	8
24	4706002467	Plate	1
25	7115140650	Capscrew, 0.25"-20NC x 0.75"	4
26	7950140000	Lockwasher, 0.25" ID	4
27	7440030000	Grease Fitting	1
28	7786000008	Screw, 0.50"-20NF x 1.25"	6
29	7660180230	Nut, 0.50"-20NF	6
30	4706003709	Plate	4
31	4706003721	Plate	4
32	4706003722	Plate	4
33	4706003723	Plate	4
34	4706003724	Plate	4
35	4706003725	Plate	2
36	4706003720	Plate	2

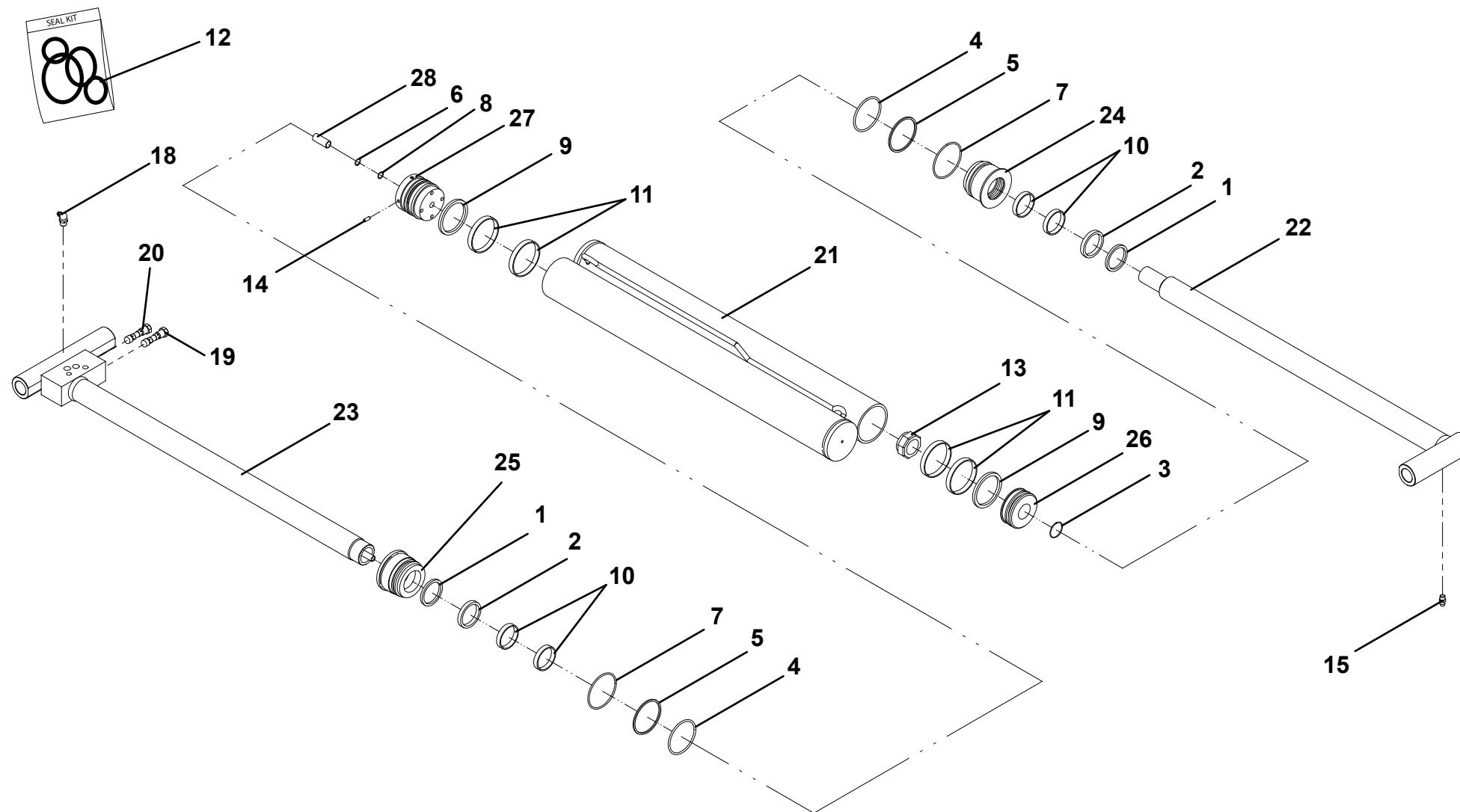
UNDERLIFT ASSEMBLY - 3170000433 - 30,000 LB



UNDERLIFT EXTENSION CYLINDER ASSEMBLY - 732000076

ITEM	PART NO.	DESCRIPTION	QTY
1	9796250080	Seal, Wiper	2
2	7019828	Seal	2
3	9796250133	Seal, "O" Ring	1
4	7019846	Seal, "O" Ring	2
5	7019845	Ring, Back-up	2
6	9796250135	Seal, "O" Ring	1
7	7019844	Seal, "O" Ring	2
8	9796250137	Seal, "O" Ring	2
9	9796250138	Seal	2
10	9754250015	Ring, Wear	4
11	9754250049	Ring, Wear	4
12	7577250271	Kit, Seal	1
13	7003212	Locknut	1
14	7003281	Setscrew	4
15	7005348	Grease Fitting	1
16	7005365	Plug, Port	5
17	70021648	Plug, Port	2
18	7440030400	Grease Fitting	1
19	70050218	Valve, Cartridge	1
20	70050217	Valve, Counterbalance	1
21	70050553	Assembly, Tube	1
22	70050554	Assembly, Rod	1
23	70050555	Assembly, Rod-Tube	1
24	9553250015	Head	1
25	9254250009	Head	1
26	9698250018	Piston	1
27	9698250019	Piston	1
28	9007250005	Adapter, RT Tube	1

UNDERLIFT EXTENSION CYLINDER ASSEMBLY - 732000076

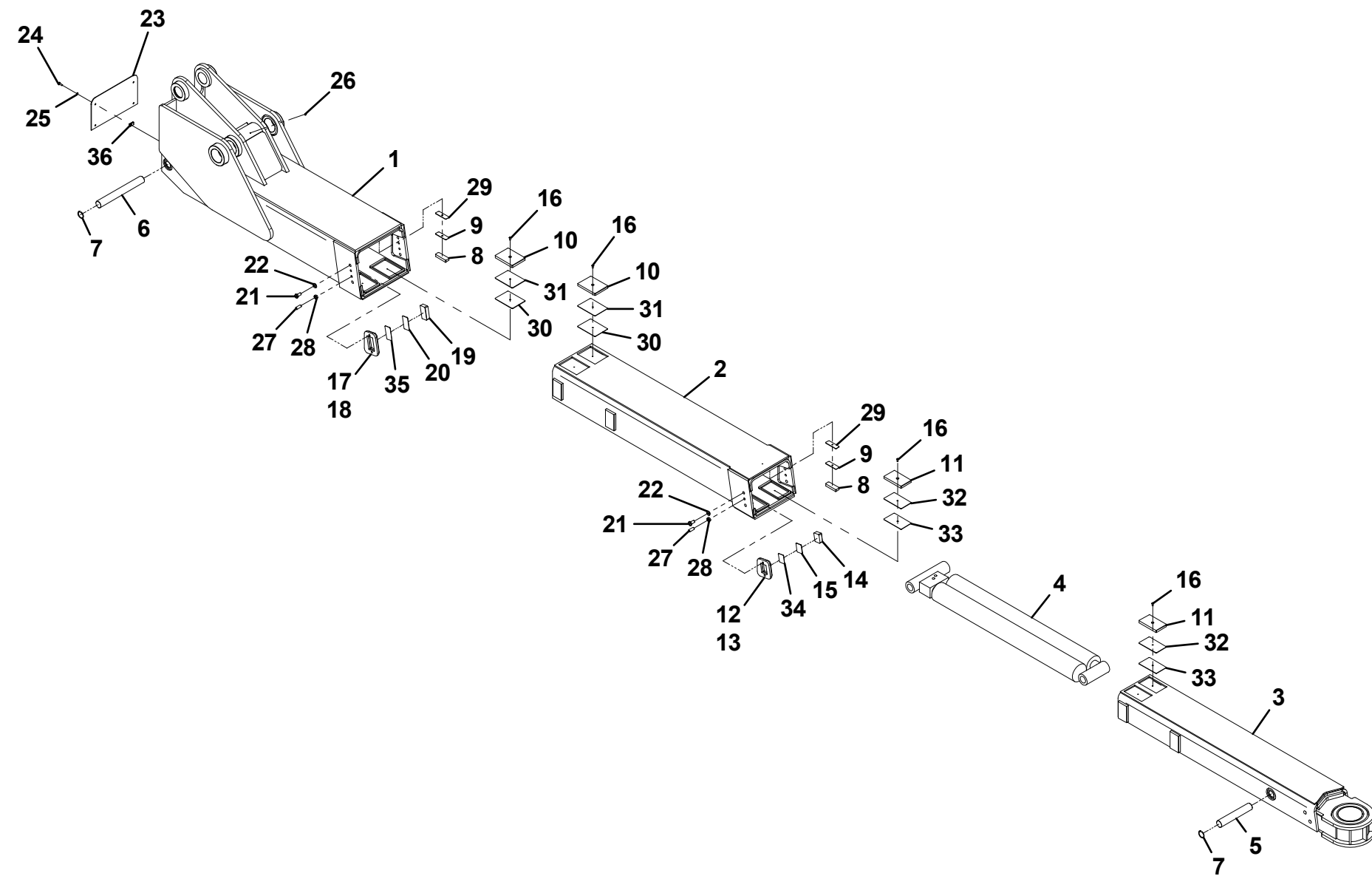


Items #16 and #17, not shown

UNDERLIFT ASSEMBLY - 3170000220 - 35,000 LB

ITEM	PART NO.	DESCRIPTION	QTY
1	3170000224	Base Section Boom Weldment	1
2	3170000223	Mid Section Boom Weldment	1
3	3170000221	Fly Section Boom Weldment	1
4	7320000042	Underlift Extension Cylinder Assembly	1
5	4691000318	Pin	1
6	4691000316	Pin	1
7	7754000043	Retaining Ring	4
8	4679000159	Pad	2
9	4706003708	Plate	2
10	4679000161	Pad	4
11	4679000158	Pad	4
12	3706000177	Plate	1
13	3706000178	Plate	1
14	4679000206	Pad	2
15	4706003144	Plate	2
16	7114140418	Capscrew, 0.25"-20NC x 0.50"	8
17	3706000179	Plate - LH	1
18	3706000180	Plate - RH	1
19	4679000205	Pad	2
20	4706003719	Plate	2
21	7105180850	Capscrew, 0.50"-20NF x 1.00"	8
22	7950170153	Flatwasher, 0.50" ID	8
23	4706002467	Plate	1
24	7115140650	Capscrew, 0.25"-20NC x 0.75"	4
25	7950140000	Lockwasher, 0.25" ID	4
26	7440030000	Grease Fitting	1
27	7786000008	Screw, 0.50"-20NF x 1.25"	6
28	7660180230	Nut, 0.50"-20NF	6
29	4706003709	Plate	4
30	4706003721	Plate	4
31	4706003722	Plate	4
32	4706003723	Plate	4
33	4706003724	Plate	4
34	4706003725	Plate	2
35	4706003720	Plate	2
36	7661000019	U-Nut, 0.25"-20NC	4

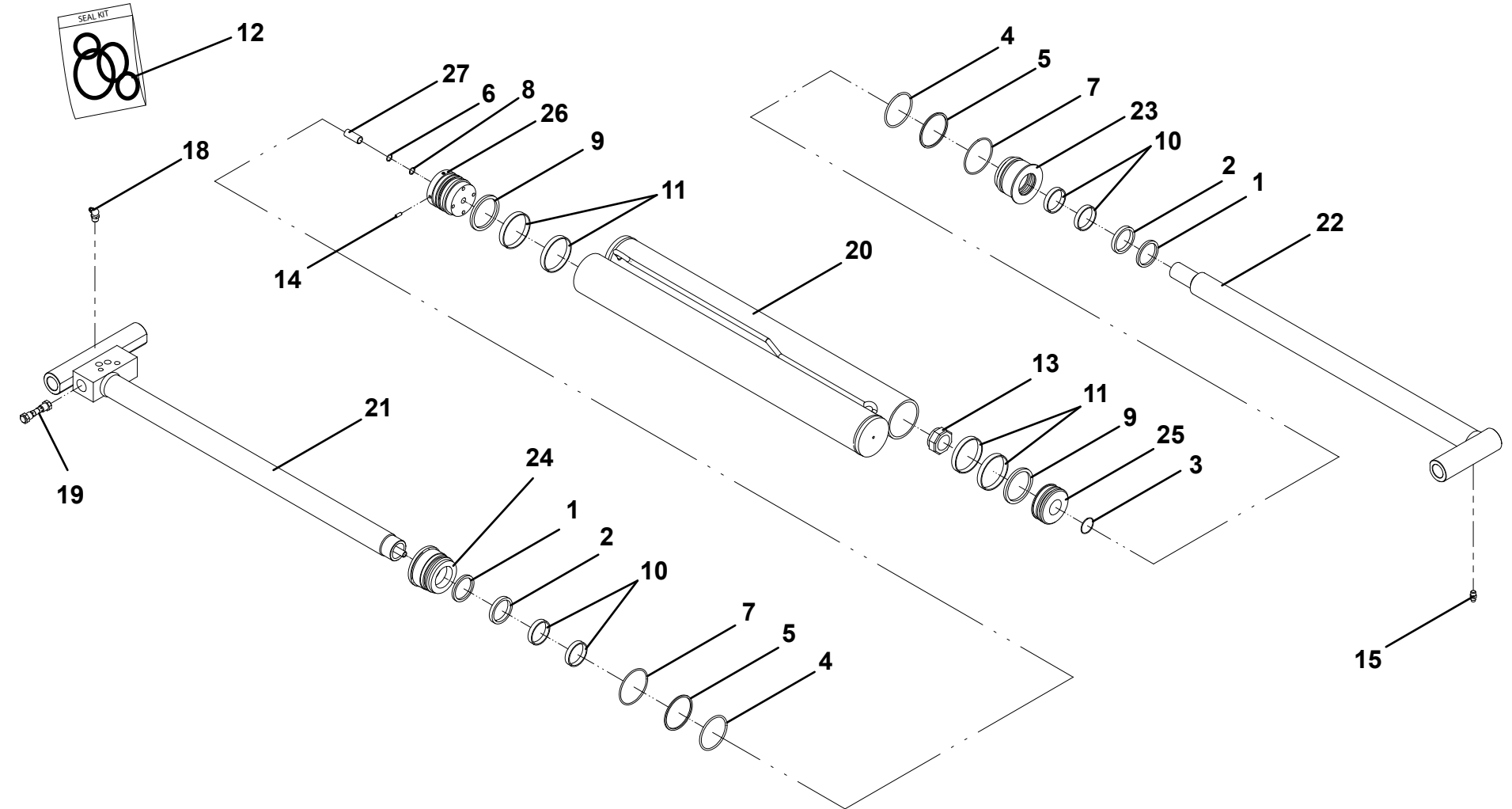
UNDERLIFT ASSEMBLY - 3170000220 - 35,000 LB



UNDERLIFT EXTENSION CYLINDER ASSEMBLY - 732000042

ITEM	PART NO.	DESCRIPTION	QTY
1	9796250080	Seal, Wiper	2
2	7019828	Seal	2
3	9796250133	Seal, "O" Ring	1
4	7019846	Seal, "O" Ring	2
5	7019845	Ring, Back-up	2
6	9796250135	Seal, "O" Ring	2
7	7019844	Seal, "O" Ring	2
8	9796250137	Seal, "O" Ring	2
9	9796250138	Seal	2
10	9754250015	Ring, Wear	4
11	9754250049	Ring, Wear	4
12	7577250271	Kit, Seal	1
13	7003212	Locknut	1
14	7003281	Setscrew	4
15	7005348	Grease Fitting	1
16	70050365	Plug, Port	2
17	70021648	Plug, Port	2
18	7440030400	Grease Fitting	1
19	9935250025	Kit, Check Cartridge	1
20	9912250021	Assembly, Tube	1
21	9763250025	Assembly, Rod	1
22	9763250026	Assembly, Rod-Tube	1
23	9553250015	Head	1
24	9553250016	Head	1
25	9698250018	Piston	1
26	9698250019	Piston	1
27	9007250005	Adapter, RT Tube	1

UNDERLIFT EXTENSION CYLINDER ASSEMBLY - 732000042

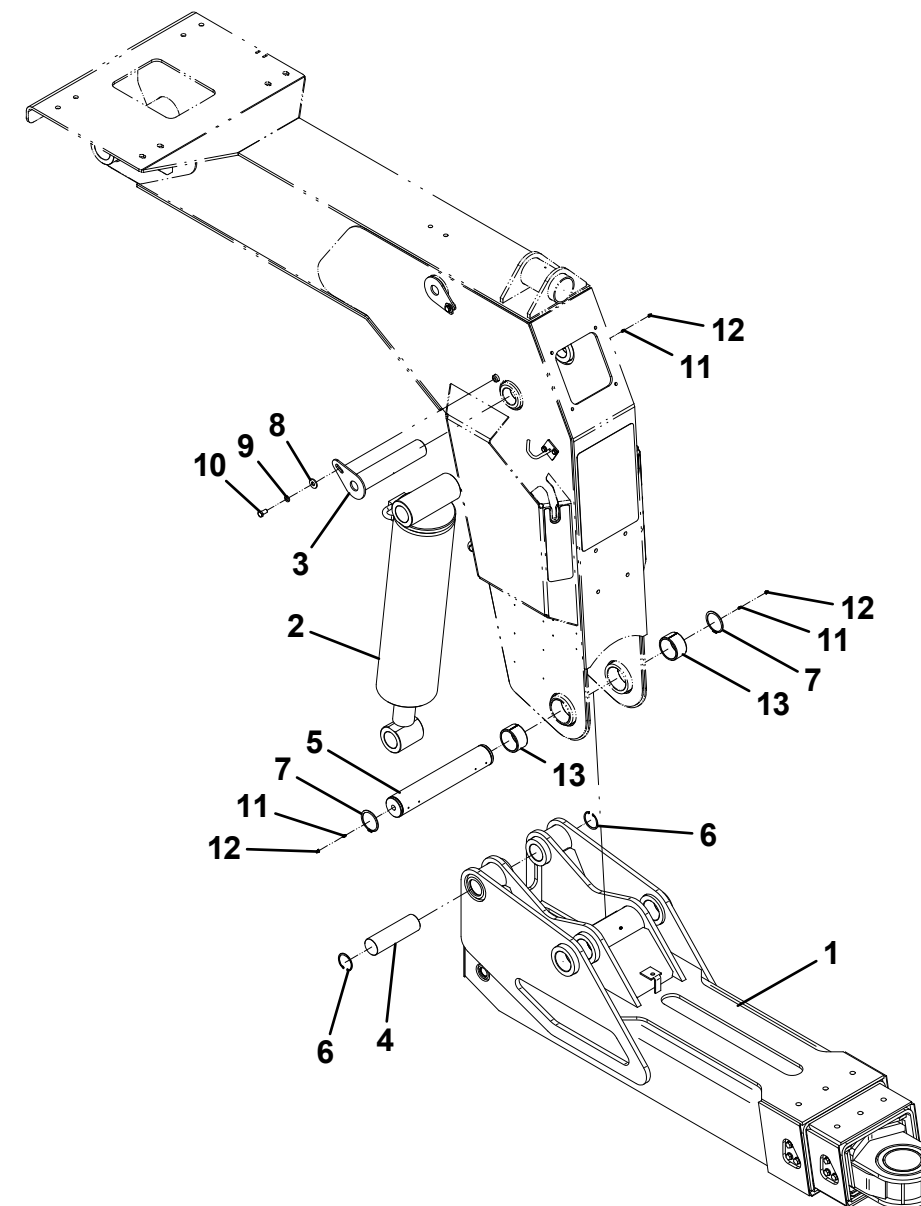


Items #16 and #17, not shown

UNDERLIFT INSTALLATION - 53,000/56,500 LB

ITEM	PART NO.	DESCRIPTION	QTY
1	3507100001	Underlift Boom Assembly - 53,000 LB	1
	3170000407	Underlift Boom Assembly - 56,500 LB	
2	7320000096	Underlift Tilt Cylinder Assembly	1
3	3691000232	Pin	1
4	4691000290	Pin	1
5	4691000291	Pin	1
6	7754000051	Retaining Ring	2
7	7754000018	Retaining Ring	2
8	7950220141	Flatwasher, 0.75" ID	1
9	7950000000	Lockwasher, 0.75" ID	1
10	7115220850	Capscrew, 0.75"-10NC x 1.00"	1
11	7440030000	Grease Fitting	2
12	7253000002	Cap, Grease Fitting	2
13	7209000029	Bushing	2

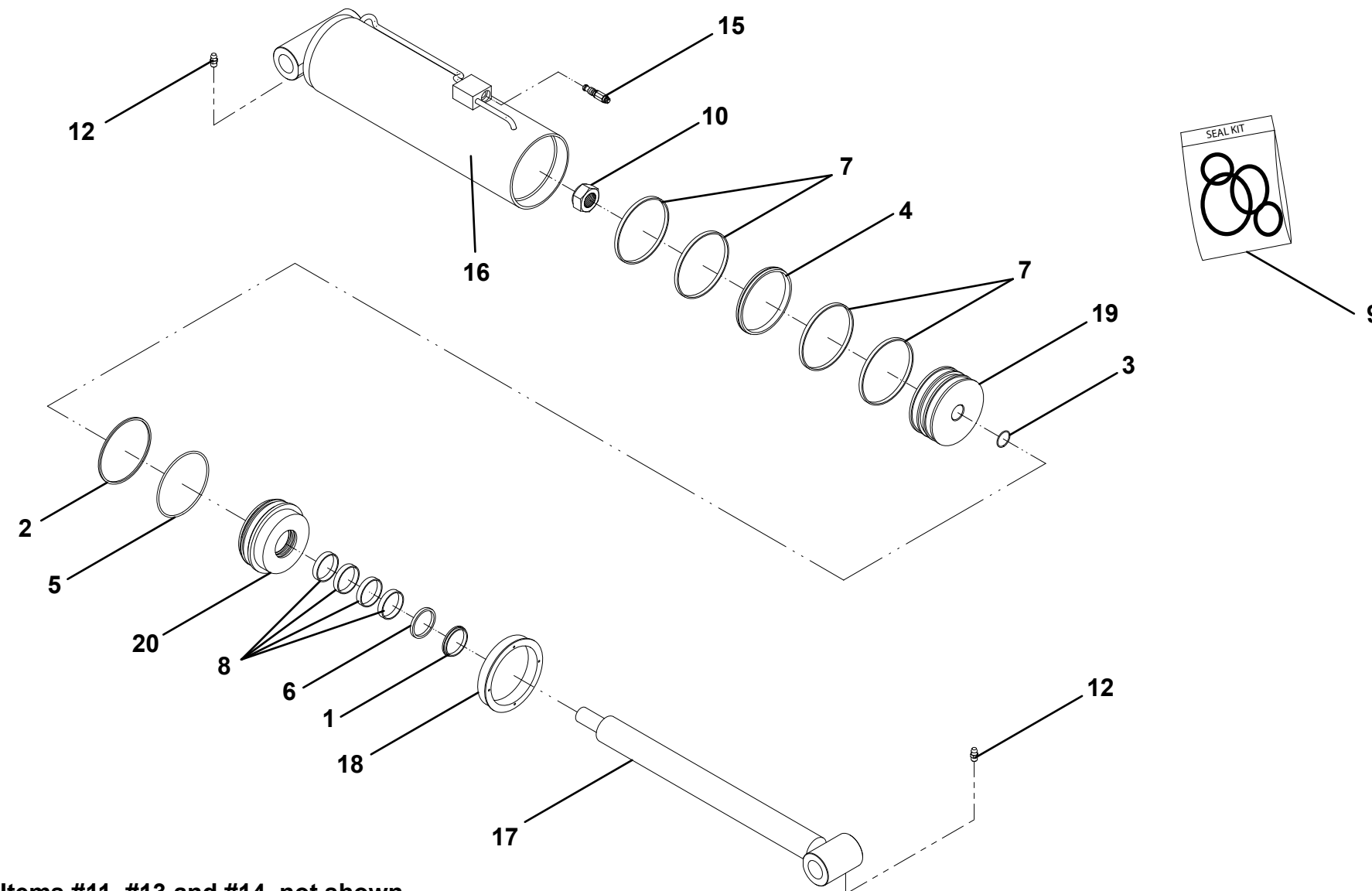
UNDERLIFT INSTALLATION - 53,000/56,500 LB



UNDERLIFT TILT CYLINDER ASSEMBLY - 7320000096

ITEM	PART NO.	DESCRIPTION	QTY
1	9796250083	Seal, Wiper	1
2	9754250011	Ring, Back-up	1
3	9796250062	Seal, "O" Ring	1
4	70050544	Seal	1
5	9796250068	Seal, "O" Ring	1
6	70050545	Seal	1
7	9754250017	Ring, Wear	4
8	80004049	Ring, Wear	4
9	7577000063	Kit, Seal	1
10	7005314	Locknut	1
11	70021757	Setscrew	1
12	7005348	Grease Fitting	2
13	70021648	Plug, Port	2
14	7005365	Plug, Port	1
15	70050215	Valve, Counterbalance	1
16	70050594	Assembly, Tube	1
17	70050595	Assembly, Rod	1
18	9254250007	Headcap	1
19	70050548	Piston	1
20	70050549	Head	1

UNDERLIFT TILT CYLINDER ASSEMBLY - 7320000096

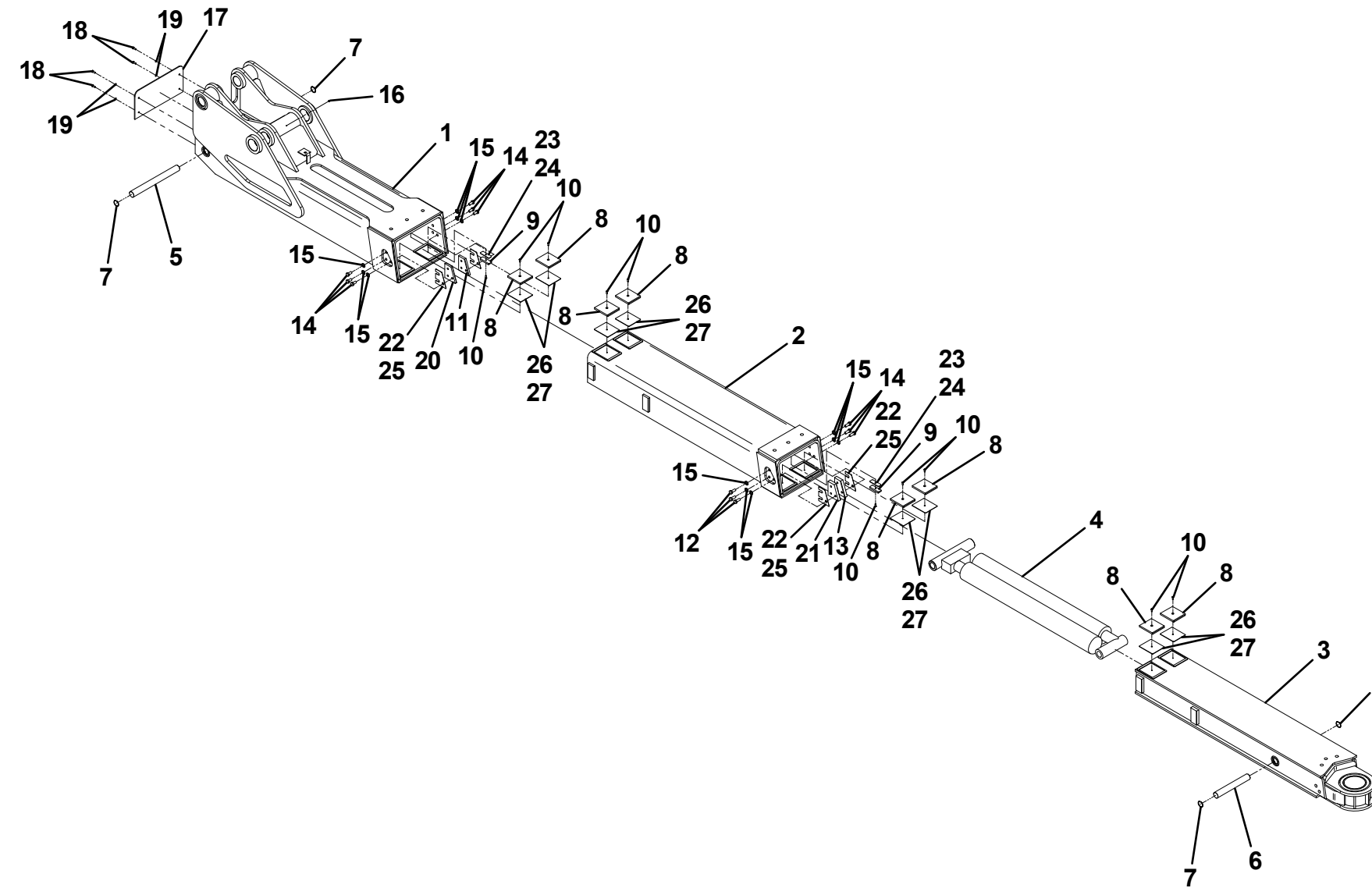


Items #11, #13 and #14, not shown

UNDERLIFT ASSEMBLY - 3507100001 - 53,000 LB

ITEM	PART NO.	DESCRIPTION	QTY
1	3170000125	Base Section Boom Weldment	1
2	3170000124	Mid Section Boom Weldment	1
3	3170000123	Fly Section Boom Weldment	1
4	7320000026	Underlift Extension Cylinder Assembly	1
5	4691000292	Pin	1
6	4691000293	Pin	1
7	7754000043	Retaining Ring	4
8	4679000146	Pad	8
9	4679000147	Pad	2
10	7114140518	Capscrew, 0.25"-20NC x 0.63"	10
11	4706002209	Plate	1
12	7108181050	Capscrew, 0.50"-20NF x 1.25"	6
13	4706002208	Plate	1
14	7108180850	Capscrew, 0.50"-20NF x 1.00"	6
15	7950180153	Flatwasher, 0.50" ID	12
16	7440030000	Grease Fitting	1
17	4706002207	Plate	1
18	7115140650	Plate	4
19	7950140000	Lockwasher, 0.25" ID	4
20	4706002211	Plate	1
21	4706002210	Plate	1
22	4812000057	Shim, 14GA	2
23	4706003708	Plate	2
24	4706003709	Plate	2
25	4706003710	Plate	4
26	4706003717	Plate	8
27	4706003718	Plate	8

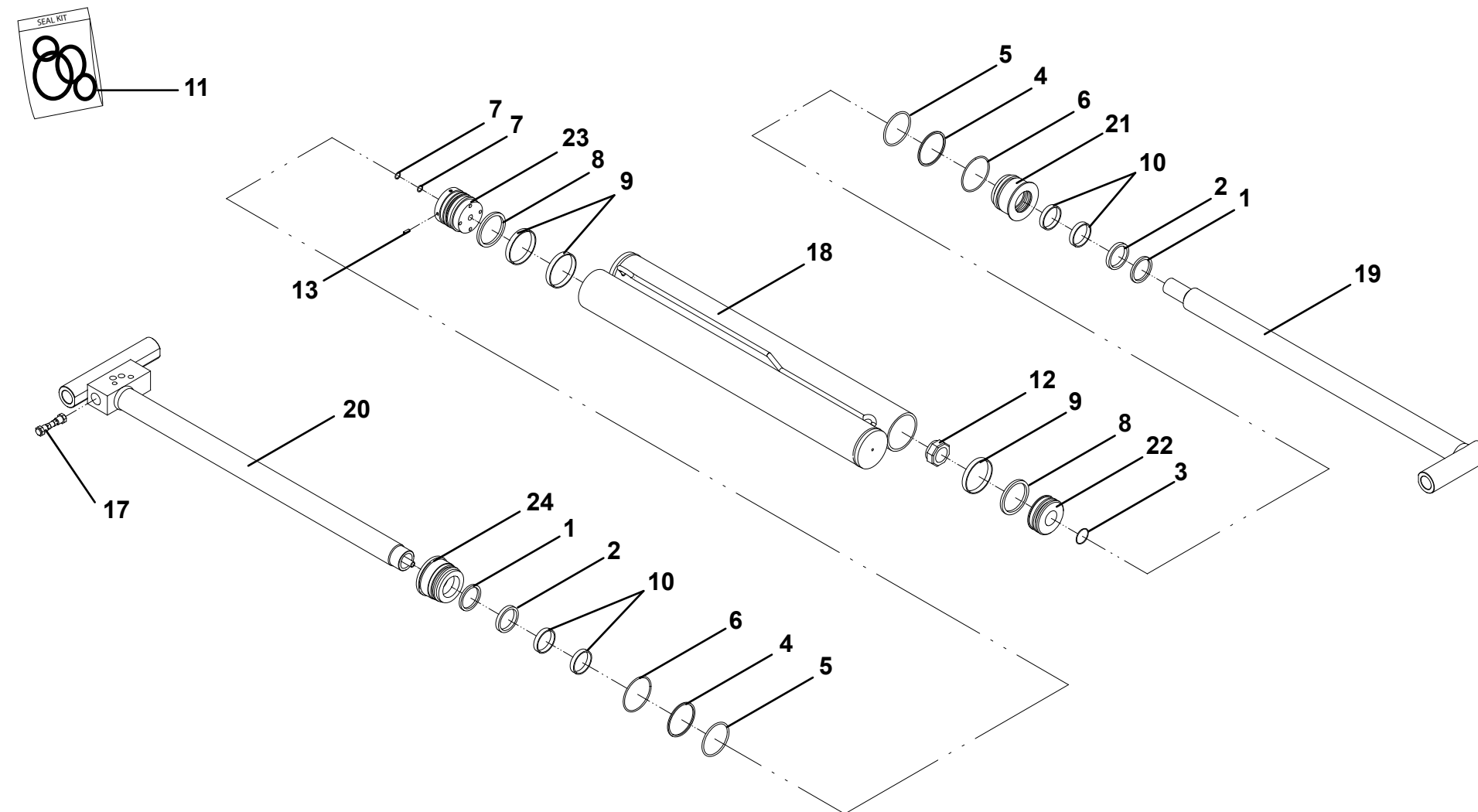
UNDERLIFT ASSEMBLY - 3507100001 - 53,000 LB



UNDERLIFT EXTENSION CYLINDER ASSEMBLY - 732000026

ITEM	PART NO.	DESCRIPTION	QTY
1	9796250081	Seal, Wiper	2
2	7019829	Seal	2
3	7023518	Seal, "O" Ring	1
4	9754250009	Ring, Back-up	2
5	9796250057	Seal, "O" Ring	2
6	9796250058	Seal, "O" Ring	2
7	70050534	Seal, "O" Ring	2
8	9796250073	Seal	2
9	9754250014	Ring, Wear	3
10	70050568	Ring, Wear	4
11	7577250334	Kit, Seal	1
12	7003116	Locknut	1
13	70050535	Setscrew	4
14	7005348	Grease Fitting	2
15	7005365	Plug, Port	2
16	70021648	Plug, Port	2
17	9935250025	Kit, Check Cartridge	1
18	70050536	Assembly, Tube	1
19	70050537	Assembly, Rod	1
20	70050538	Assembly, Rod-Tube	1
21	9553250010	Head	1
22	7024101	Piston	1
23	70050540	Piston	1
24	70050541	Head	1

UNDERLIFT EXTENSION CYLINDER ASSEMBLY - 732000026

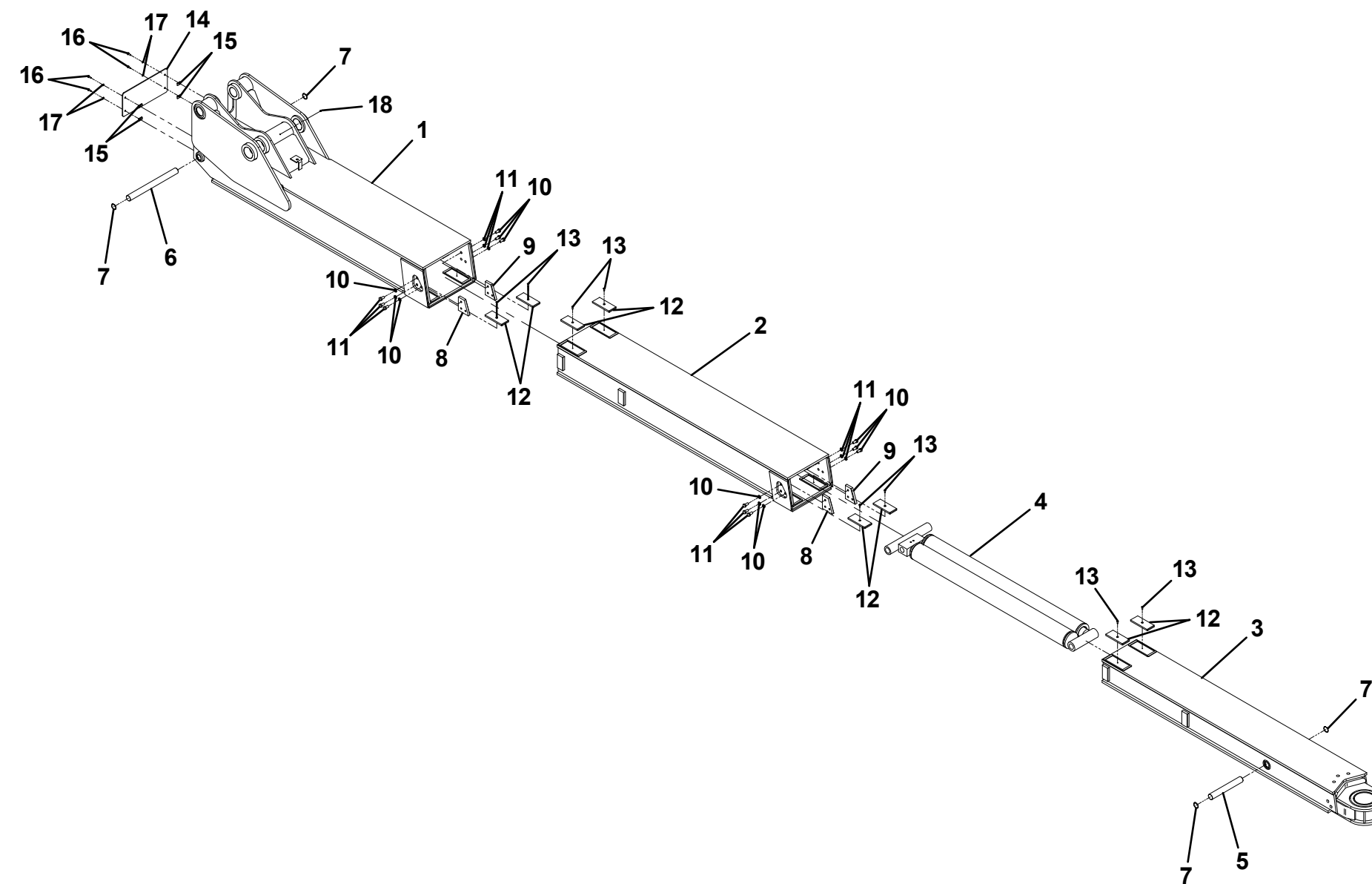


Items #14, #15 and #16, not shown

UNDERLIFT ASSEMBLY - 3170000407 - 56,500 LB

ITEM	PART NO.	DESCRIPTION	QTY
1	3170000400	Base Section Boom Weldment	1
2	3170000401	Mid Section Boom Weldment	1
3	3170000406	Fly Section Boom Weldment	1
4	7320000068	Underlift Extension Cylinder Assembly	1
5	4691000293	Pin	1
6	4691000321	Pin	1
7	7754000043	Retaining Ring	4
8	4706005262	Plate	2
9	4706005263	Plate	2
10	7108180850	Capscrew, 0.50"-20NF x 1.00"	12
11	7950180000	Lockwasher, 0.50" ID	12
12	4679000277	Pad, 0.38" Thk	8
	4679000293	Pad, 0.25" Thk	
13	7114140518	Capscrew, 0.25"-20NC x 0.63"	8
14	4706005281	Plate	1
15	7661000019	U-Nut, 0.25"-20NC	4
16	7115140650	Capscrew, 0.25"-20NC x 0.75"	4
17	7950140000	Lockwasher, 0.25" ID	4
18	7440030000	Grease Fitting	1

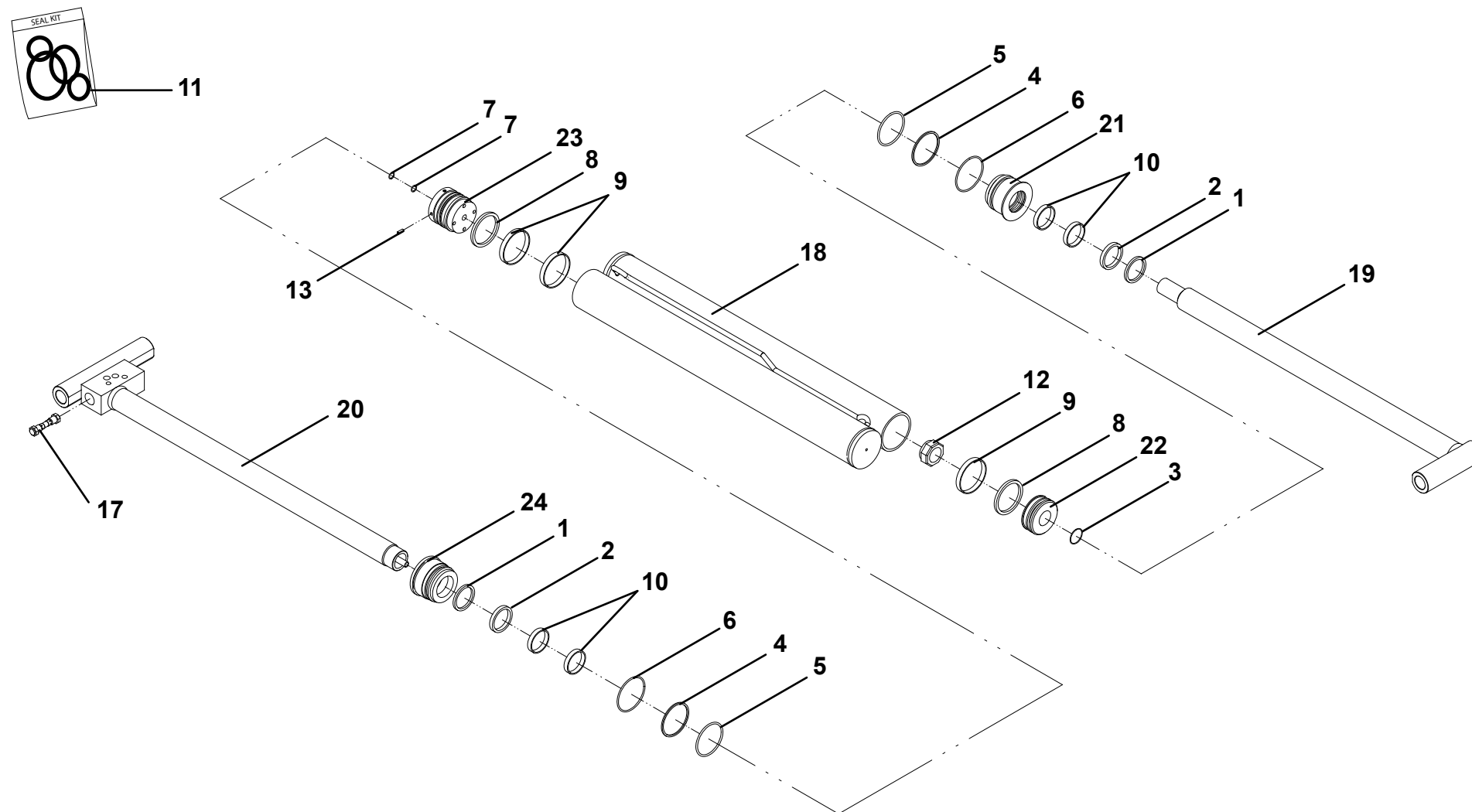
UNDERLIFT ASSEMBLY - 3170000407 - 56,500 LB



UNDERLIFT EXTENSION CYLINDER ASSEMBLY - 732000068

ITEM	PART NO.	DESCRIPTION	QTY
1	9796250081	Seal, Wiper	2
2	7019829	Seal	2
3	7023518	Seal, "O" Ring	1
4	9754250009	Ring, Back-up	2
5	9796250057	Seal, "O" Ring	2
6	9796250058	Seal, "O" Ring	2
7	70050534	Seal, "O" Ring	2
8	9796250073	Seal	2
9	9754250014	Ring, Wear	3
10	80004056	Ring, Wear	4
11	7577250334	Kit, Seal	1
12	7003116	Locknut	1
13	70050535	Setscrew	4
14	7005348	Grease Fitting	2
15	7005365	Plug, Port	2
16	70021648	Plug, Port	2
17	9935250025	Kit, Check Cartridge	1
18	70050550	Assembly, Tube	1
19	70050551	Assembly, Rod	1
20	70050552	Assembly, Rod-Tube	1
21	9553250010	Head	1
22	7024101	Piston	1
23	70050540	Piston	1
24	70050541	Head	1

UNDERLIFT EXTENSION CYLINDER ASSEMBLY - 732000068



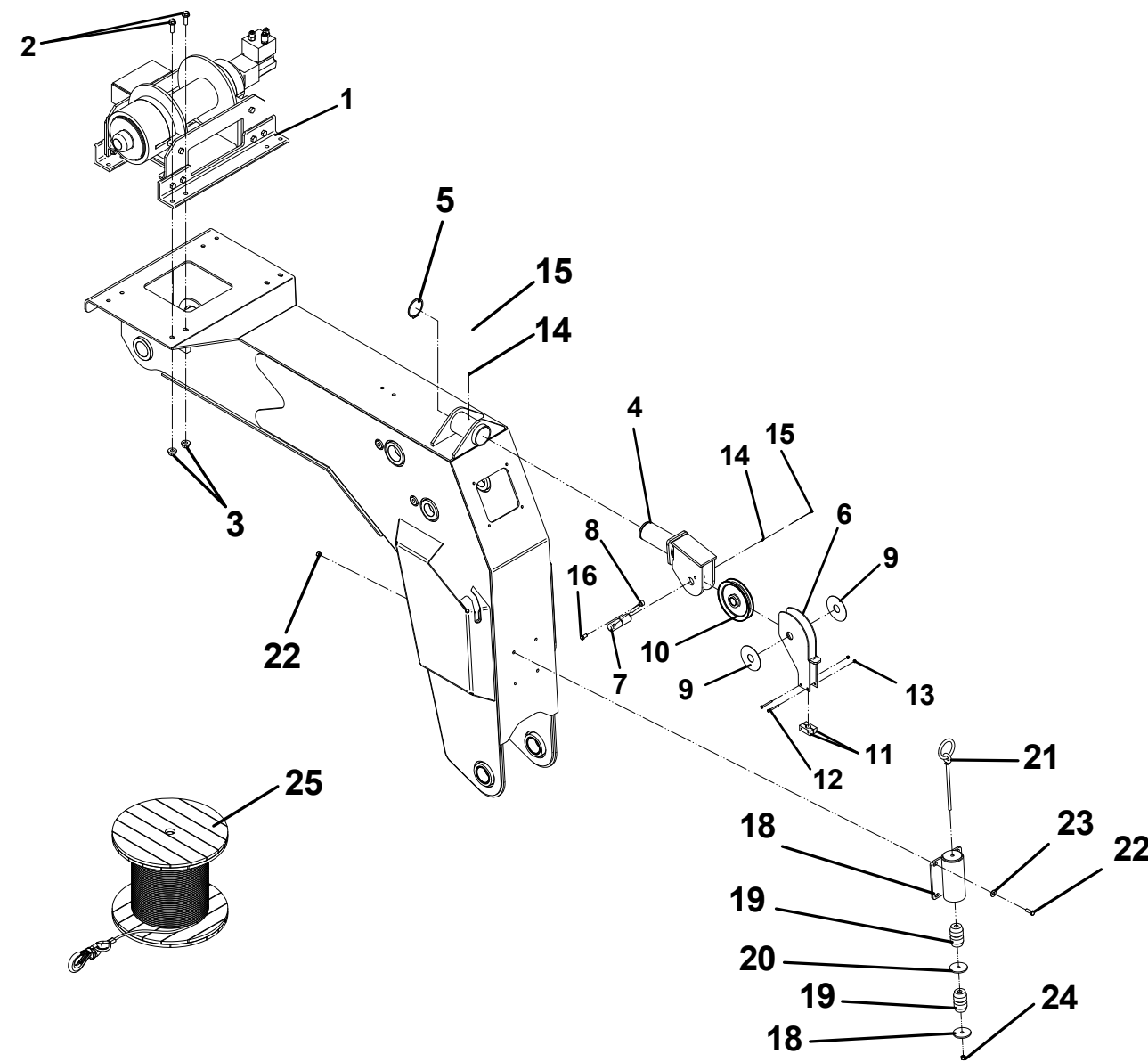
Items #14, #15 and #16, not shown

DRAG WINCH INSTALLATION

ITEM	PART NO.	DESCRIPTION	QTY
1	797000069	Winch - DP35	1
2	7118201616	Capscrew, 0.63"-11NC x 2.00"	8
3	7661000018	Nut, 0.63"-11NC	8
4	1001169617	Sheave Support	1
5	7754000049	Retaining Ring	1
6	3249000012	Cable Guide Weldment	1
7	1001169893	Pin	1
8	3841203	Rod, Keeper	1
9	4949000045	Washer, 5.00" OD x 1.53" ID	2
10	7809000006	Sheave	1
11	4249000002	Cable Guide	2
12	7115142050	Capscrew, 0.25"-20NC x 2.50"	2
13	7660142604	Locknut, 0.25"-20NC	2
14	7440030000	Grease Fitting	2
15	7253000002	Grease Fitting Cap	2
16	7115180850	Capscrew .520"-13NC X 1.00" Hex Head	1
17	0100011	Thread Locker 0.25-0.75 Fasteners	A/R
18	3912000034*	Tie Back Tube	1
19	7189000014*	Spring	2
20	4831000115*	Spacer	2
21	7120000053*	Ring Bolt, 0.50"-13NC x 10.00"	1
22	7115181250*	Capscrew, 0.50"-13NC x 1.50"	4
23	7950180150*	Flatwasher, 0.50" ID	4
24	7660182601*	Locknut, 0.50"-13NC	5
25	7248000148	Wire Rope - Galv	250ft
	1001136470	Wire Rope	250ft

* Item Sold as Complete Assembly - 3249000038

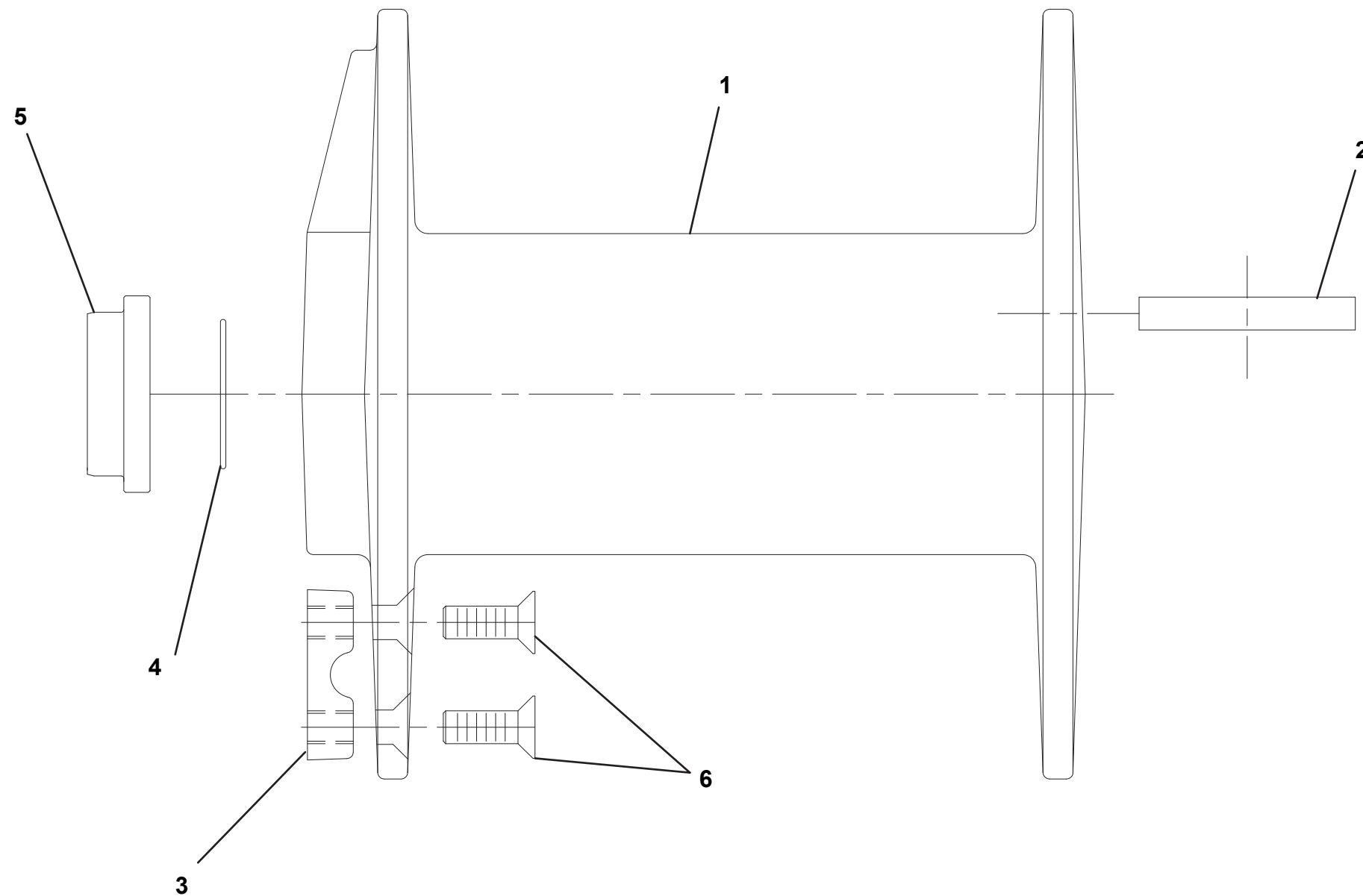
DRAG WINCH INSTALLATION



DP WINCH 35K - CABLE WINCH DRUM INSTALLATION

ITEM	PART NO.	DESCRIPTION	QTY
1	9970960020	Drum	1
2	9575960012	Key, Drum	2
3	9280960002	Clip	1
4	9796960089	O-Ring, 2.50" ID	1
5	9831960018	Spacer	1
6	7110201423	Capscrew, 0.63"-11NC x 1.75"	2

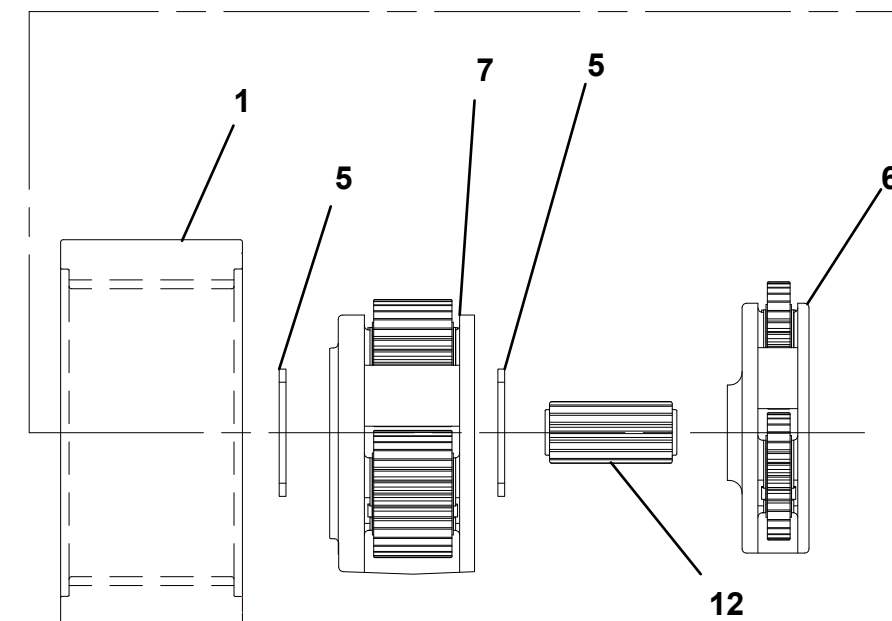
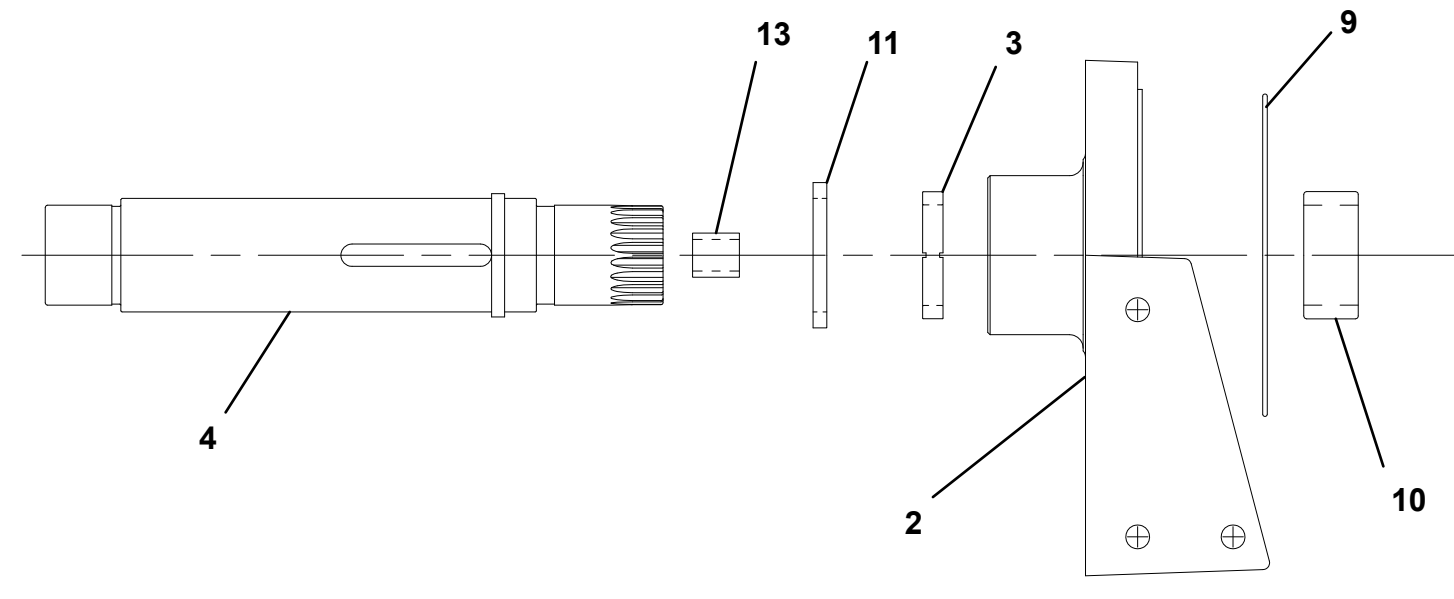
DP WINCH 35K - CABLE DRUM INSTALLATION



DP WINCH 35K - GEAR END INSTALLATION

ITEM	PART NO.	DESCRIPTION	QTY
1	9472960056	Gear	1
2	9177960003	Support, Gear End	1
3	9949960028	Thrust Washer, 3.82" OD x 0.046"	1
4	9806960021	Shaft, Output	1
5	9949960027	Thrust Washer, 3.50" OD x 0.19"	2
6	9472960052	Carrier Assembly, Primary	1
7	9472960053	Carrier Assembly, Secondary	1
8	9330960006	Label, Warning	1
9	9796960120	O-Ring, 8.75" ID	1
10	9082960018	Bearing	1
11	9796960121	Seal, 3.13" ID x 0.38"	1
12	9472960055	Gear, Sun Secondary	1
13	9209960025	Bushing	1

DP WINCH 35K - GEAR END INSTALLATION

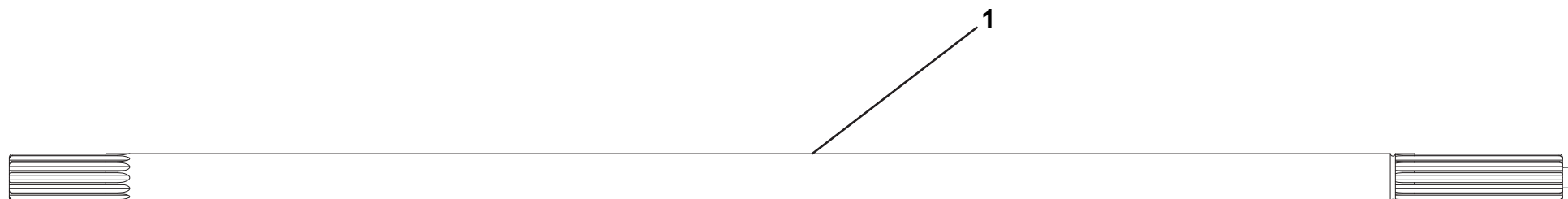


Items #8 not shown

DP WINCH 35K - INPUT SHAFT INSTALLATION

ITEM	PART NO.	DESCRIPTION	QTY
1	9806960020	Input Shaft	1

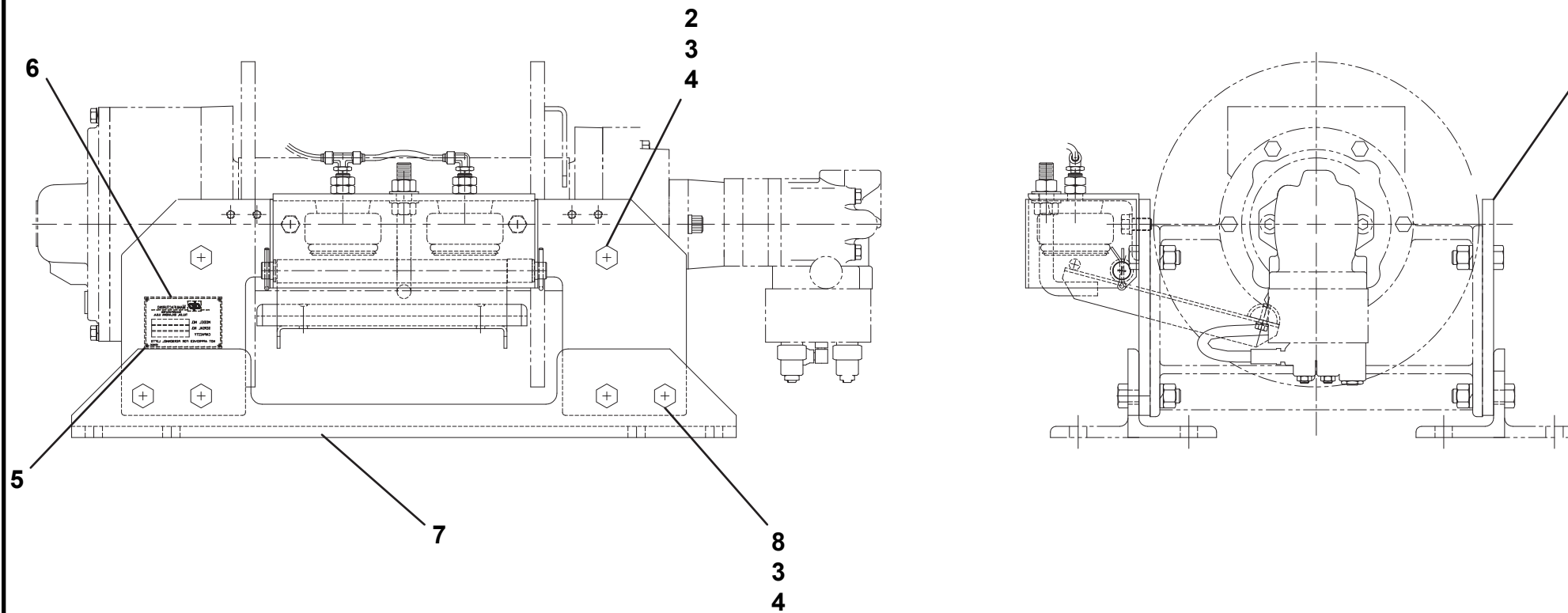
DP WINCH 35K - INPUT SHAFT INSTALLATION



DP WINCH 35K - BASE MOUNT INSTALLATION

ITEM	PART NO.	DESCRIPTION	QTY
1	9073960003	Base Mount	2
2	7115201850	Capscrew, 0.63"-11NC x 2.25"	4
3	7660200001	Nut, 0.63"-11NC	12
4	7950200000	Lockwasher, 0.63" ID	12
5	70050147	Rivet	4
6	70050384	Plate, Winch ID	1
7	9073960004	Base Mount	2
8	7115202250	Capscrew, 0.63"-11NC x 2.75"	8

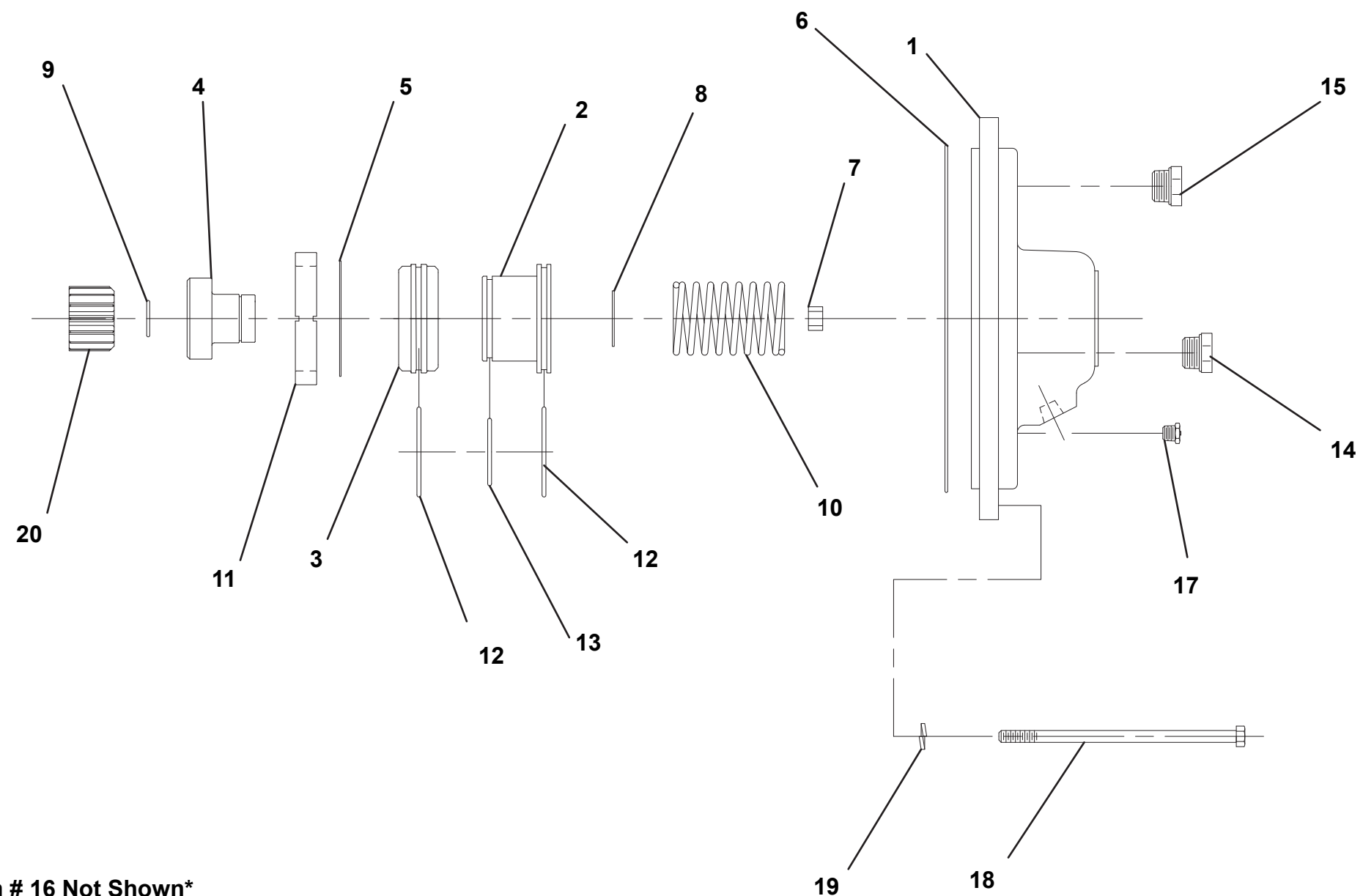
DP WINCH 35K - BASE MOUNT INSTALLATION



DP WINCH 35K - GEAR END COVER INSTALLATION

ITEM	PART NO.	DESCRIPTION	QTY
1	9314960022	Cover, Gear End	1
2	9698960016	Piston	1
3	9698960015	Cylinder, Piston	1
4	9309960011	Coupling	1
5	9754960026	Retainer Ring	1
6	9796960120	O-Ring, 8.75" ID	1
7	9209960026	Bushing	1
8	9754960046	Retainer Ring	1
9	9754960047	Retainer Ring	1
10	9843960032	Spring	1
11	9949960028	Thrust Washer	1
12	9796960119	O-Ring, 2.63" ID	2
13	9796960118	O-Ring, 2.13" ID	1
14	9701960011	Plug	1
15	9701960012	Plug	1
16	9701960018	Plug	1
17	9183960001	Vent	1
18	7118165250	Capscrew, 0.38"-16NC x 6.50"	12
19	7950160000	Lockwasher, 0.38" ID	12
20	9472960054	Gear, 15 Teeth	1

DP WINCH 35K - GEAR END COVER INSTALLATION

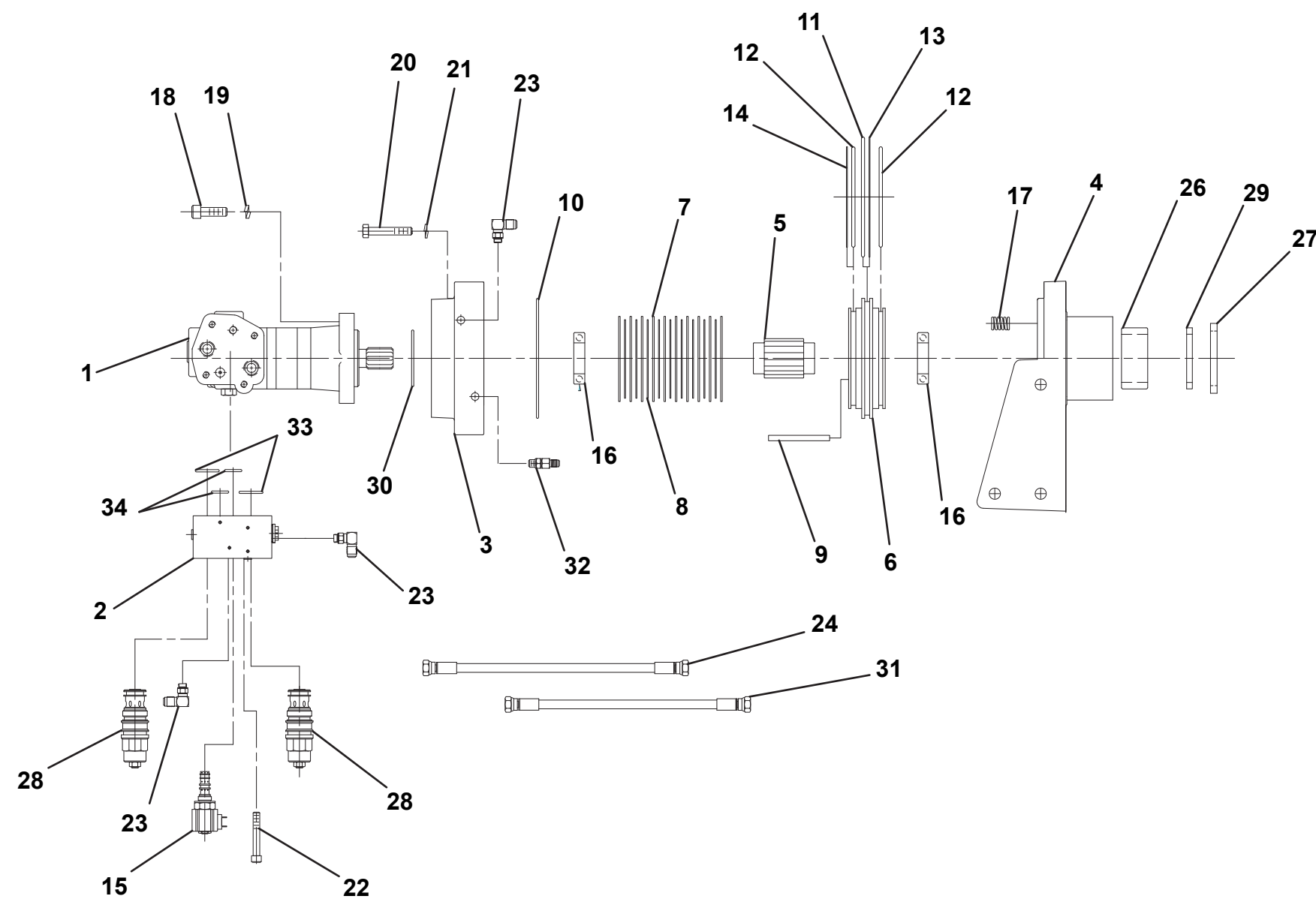


DP WINCH - MOTOR END INSTALLATION

ITEM	PART NO.	DESCRIPTION	QTY
1	70050399	Motor, Hydraulic	1
2	70050368	Valve, Counterbalance	1
3	9571960006	Brake Housing	1
4	9177960004	Support, Motor End	1
5	6906960019	Shaft Brake	1
6	9698960008	Piston, Brake	1
7	#	Plate, Friction Disc	10
8	#	Plate, Drive Brake	9
9	9691960021	Pin	2
10	##	O-Ring, 6.75" ID	1
11	##	O-Ring, 6.50" ID	1
12	##	O-Ring, 5.38" ID	2
13	##	Ring, Back-Up 6.50" ID	1
14	##	Ring, Back-Up 5.278" ID	1
15	70050371	Cartridge	1
16	9082960013	Bearing, 1.75" ID	2
17	#	Compression Spring	12
18	7118181205	Capscrew, 0.50"-13NC x 1.50"	2
19	7950180800	Lockwasher, 0.50" ID	2
20	7118172050	Capscrew, 0.44"-14NC x 2.50"	6
21	7950170000	Lockwasher, 0.44" ID	6
22	70050370	Capscrew, 0.38"-24NF x 2.50"	4
23	7445040445	Adapter	3
24	70050400	Hose	1
25	70050401*	Tag, Warning	1
26	9082960018	Bearing	1
27	<	Seal, 3.13" ID	1
28	9935960026	Cartridge	2
29	9949960028	Thrust Washer	1
30	<	O-Ring, 3.00" ID	1
31	70050372	Hose	1
32	9443960006	Adapter	1
33	70050369<	O-Ring, 1.13" ID	2
34	9796960088<	O-Ring, 0.82" ID	2

< Part Sold With Winch Service Kit - 70050402
 # Part Sold With Disk & Spring Kit - 9577960139
 ## Part Sold With Brake Seal Kit - 9577960120

DP WINCH - MOTOR END INSTALLATION

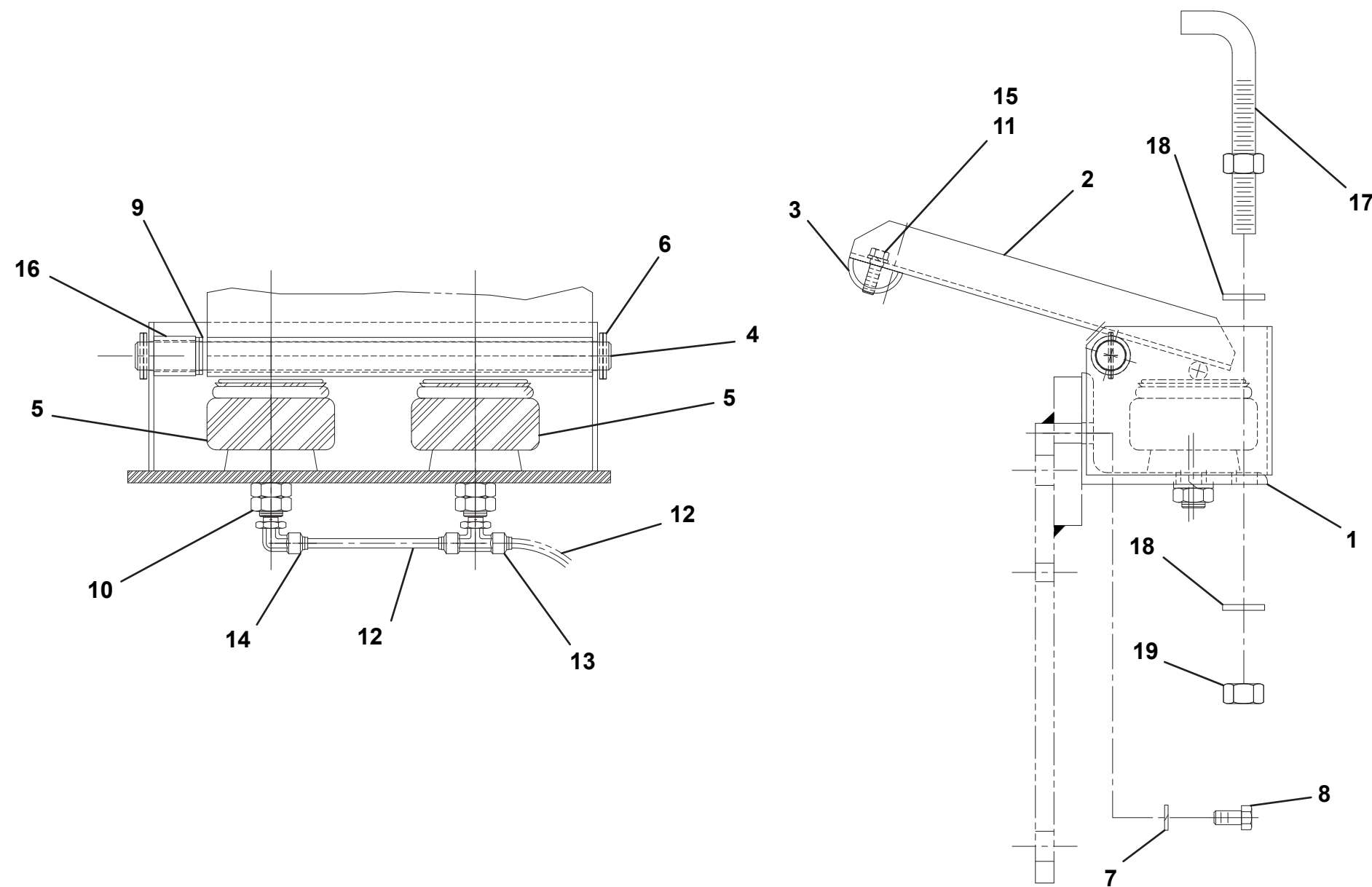


Items #25 not shown

DP WINCH - CABLE HOLD DOWN KIT

ITEM	PART NO.	DESCRIPTION	QTY
1	9178960011	Mounting Bracket	1
2	9020960002	Pivot Arm	1
3	9064960007	Rub Bar	1
4	9691960019	Pin	1
5	9843960023	Air Spring	2
6	9690960039	Cotter Pin	2
7	7950180000	Lockwasher, 0.50" ID	2
8	7115181650	Capscrew, 0.50"-13NC x 1.00"	2
9	9949960012	Thrust Washer	2
10	7660200200	Nut, 0.63"-11NC	4
11	9120960063	Capscrew, 0.32"-18NC x 1.00"	2
12	9912960010	Tubing	3
13	7443000205	Adapter	3
14	7443000204	Adapter	1
15	9949960050	Lockwasher, 0.32" ID	2
16	9831960009	Spacer	1
17	9120960019	Anchor Bolt	1
18	7950200151	Flatwasher, 0.63" ID	2
19	7660200001	Nut, 0.63"-11NC	1

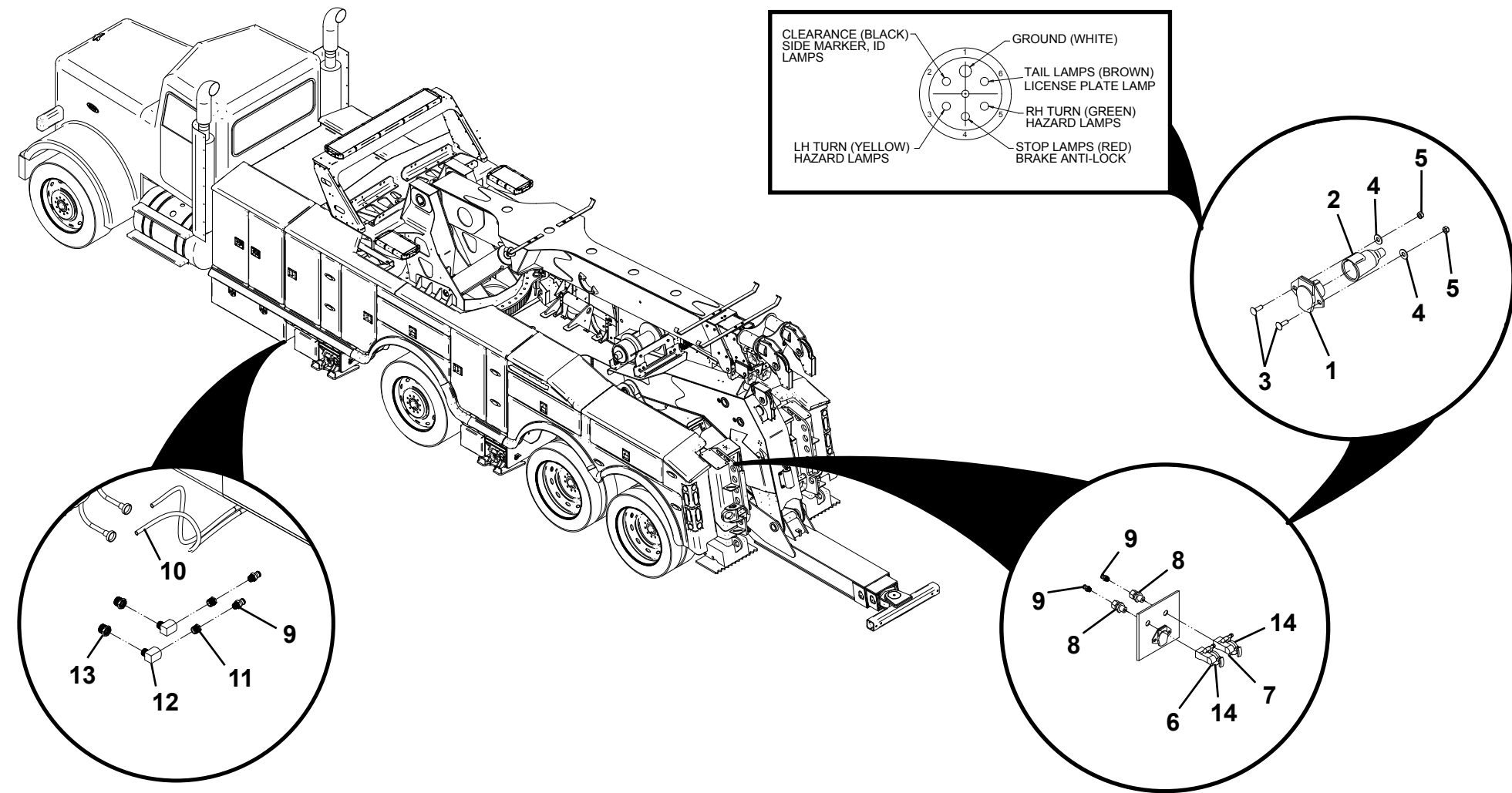
DP WINCH - CABLE HOLD DOWN KIT



TRAILER AUXILIARY INSTALLATION

ITEM	PART NO.	DESCRIPTION	QTY
1	7346000055	Electrical Receptacle	1
2	7346000078	Electrical Boot	1
3	7115150864	Bolt, 0.31"-18NC x 1.00"	2
4	7950150161	Flatwasher, 0.31" ID	2
5	7660152601	Locknut, 0.31"-18NC	2
6	7312000015	Gladhand, Blue	1
7	7312000016	Gladhand, Red	1
8	7446502518	Fitting	2
9	7445060435	Fitting	4
10	7565000014	Airline, 0.38" OD	50ft
11	7443000148	Bushing	2
12	7443000146	Elbow	2
13	7443000145	Bushing	2
14	7577000145	Seal Kit	1

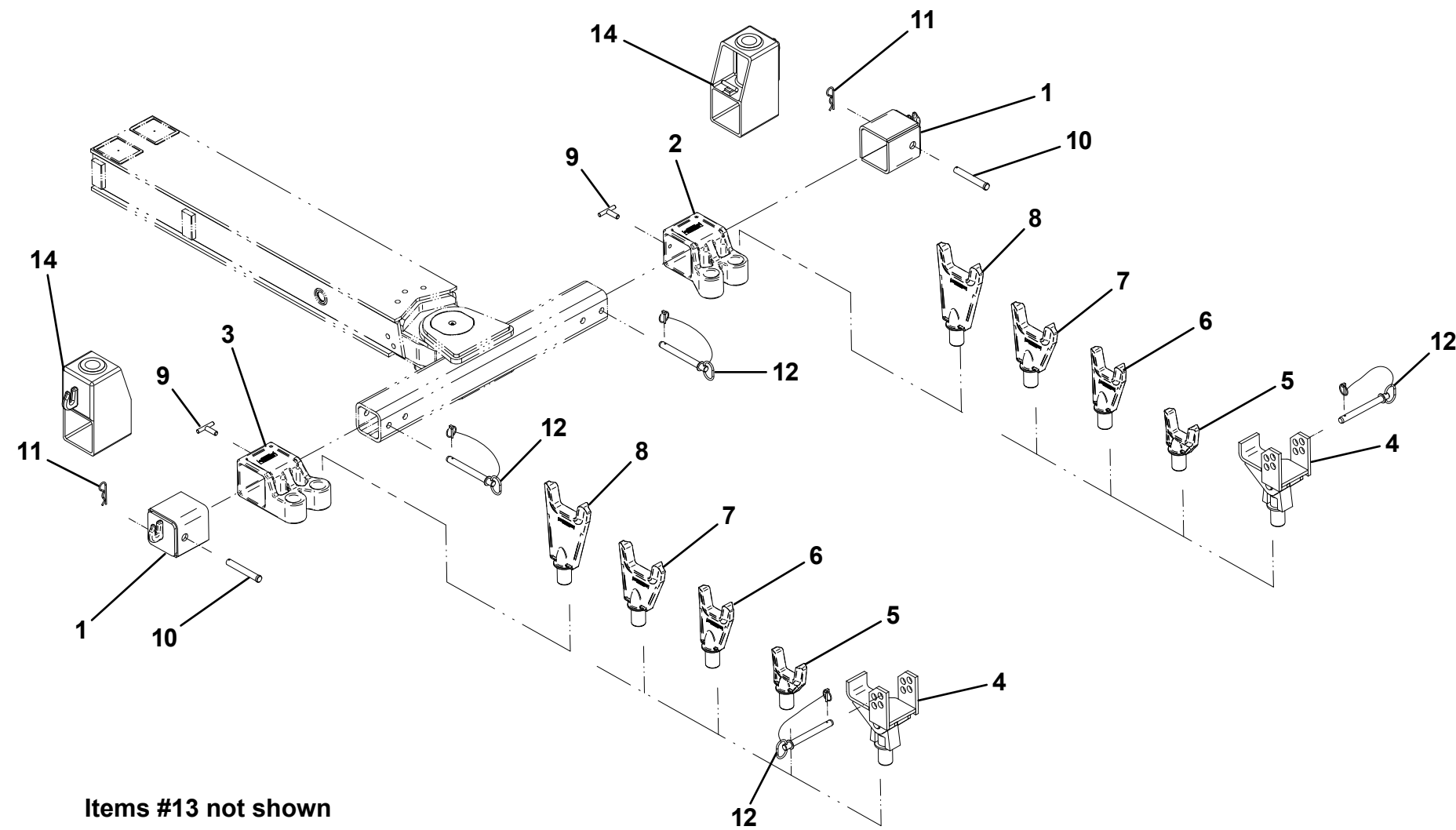
TRAILER AUXILIARY INSTALLATION



UNDERLIFT TOOLS - FRAME FORKS

ITEM	PART NO.	DESCRIPTION	QTY
1	3007000004	Adapter, Chain Hook	2
2	7007000056	Adapter, Frame Fork - RH	1
3	7007000055	Adapter, Frame Fork - LH	1
4	3178000226	Spring Lift Bracket	2
5	7454000006	Fork, 3.00" Short	2
6	7454000005	Fork, 3.00" Medium	2
7	7454000003	Fork, 4.50" Medium	2
8	7454000004	Fork, 4.50" Long	2
9	3551000036	T-Handle	2
10	7691000022	Pin	2
11	7691000020	Hairpin	2
12	7691000021	Hitch Pin	2
13	7262000026	Chain, Tie-Down	2
14	1001170172	Optional Frame Fork Riser	2

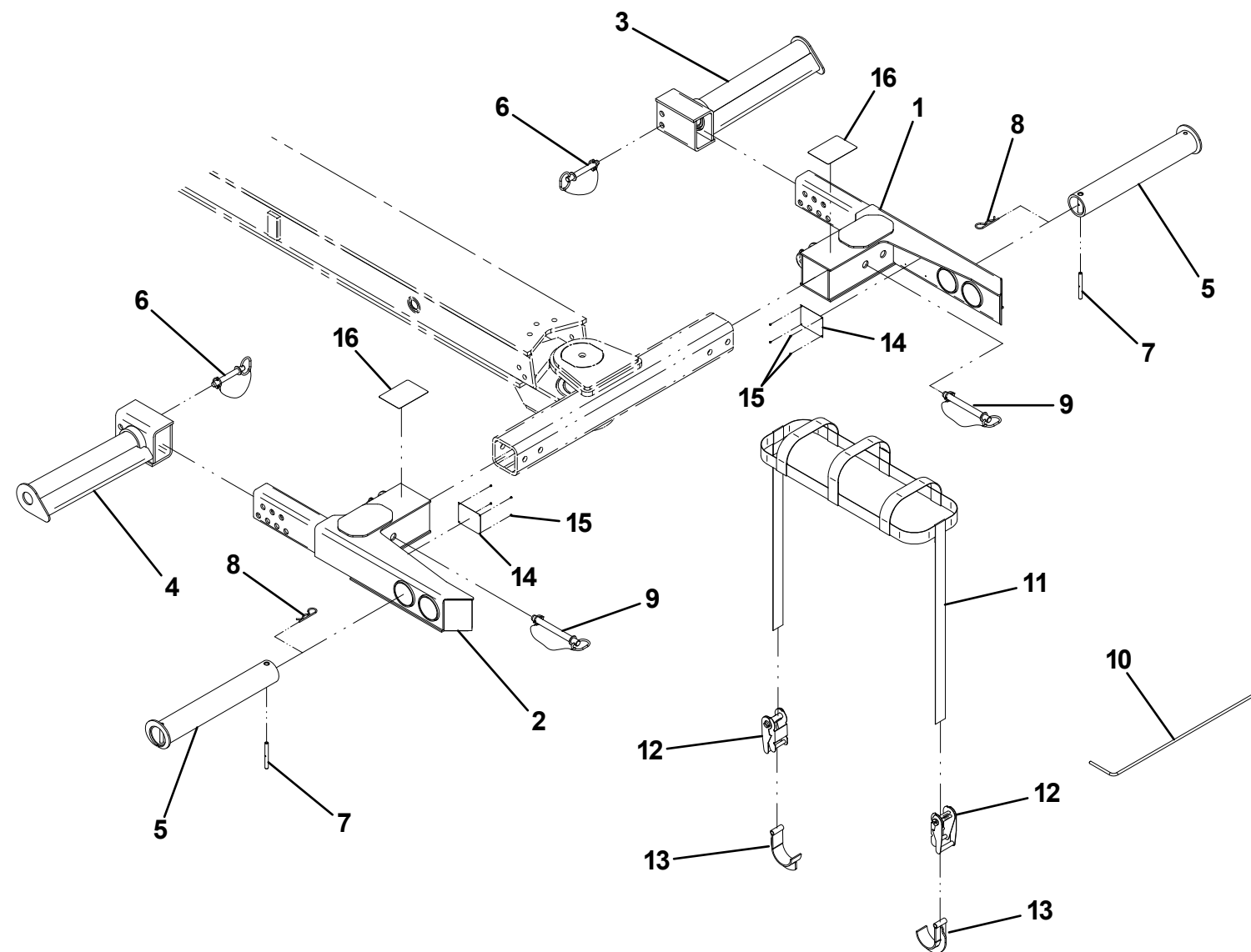
UNDERLIFT TOOLS - FRAME FORKS



UNDERLIFT TOOLS - 14,000 LB TIRE LIFT

ITEM	PART NO.	DESCRIPTION	QTY
1	3484000048	Tire Lift Grid - RH	1
2	3484000049	Tire Lift Grid - LH	1
3	3020000120	Tire Lift Arm Weldment - RH	1
4	3020000119	Tire Lift Arm Weldment - LH	1
5	3912000038	Tire Lift Tube Weldment - 23" Long	2
	3912000033	Tire Lift Tube Weldment - 27.5" Long	2
6	7691000026	Hitch Pin	2
7	4691000274	Pin	2
8	7691000020	Hairpin	2
9	7691000021	Hitch Pin	2
10	4561000012	Hook, Pull	1
11	7894000037	Strap, 2" Wide (Standard - Yellow)	2
	7894000041	Strap, 2" Wide (Optional - Orange)	
12	7894000028	Ratchet, 2" Wide Strap	4
13	3561000008	Hook, 2" Wide Strap	4
14	7330000550	Decal	2
15	7759000004	Rivet	8
16	7330000278	Decal	2

UNDERLIFT TOOLS - 14,000 LB TIRE LIFT



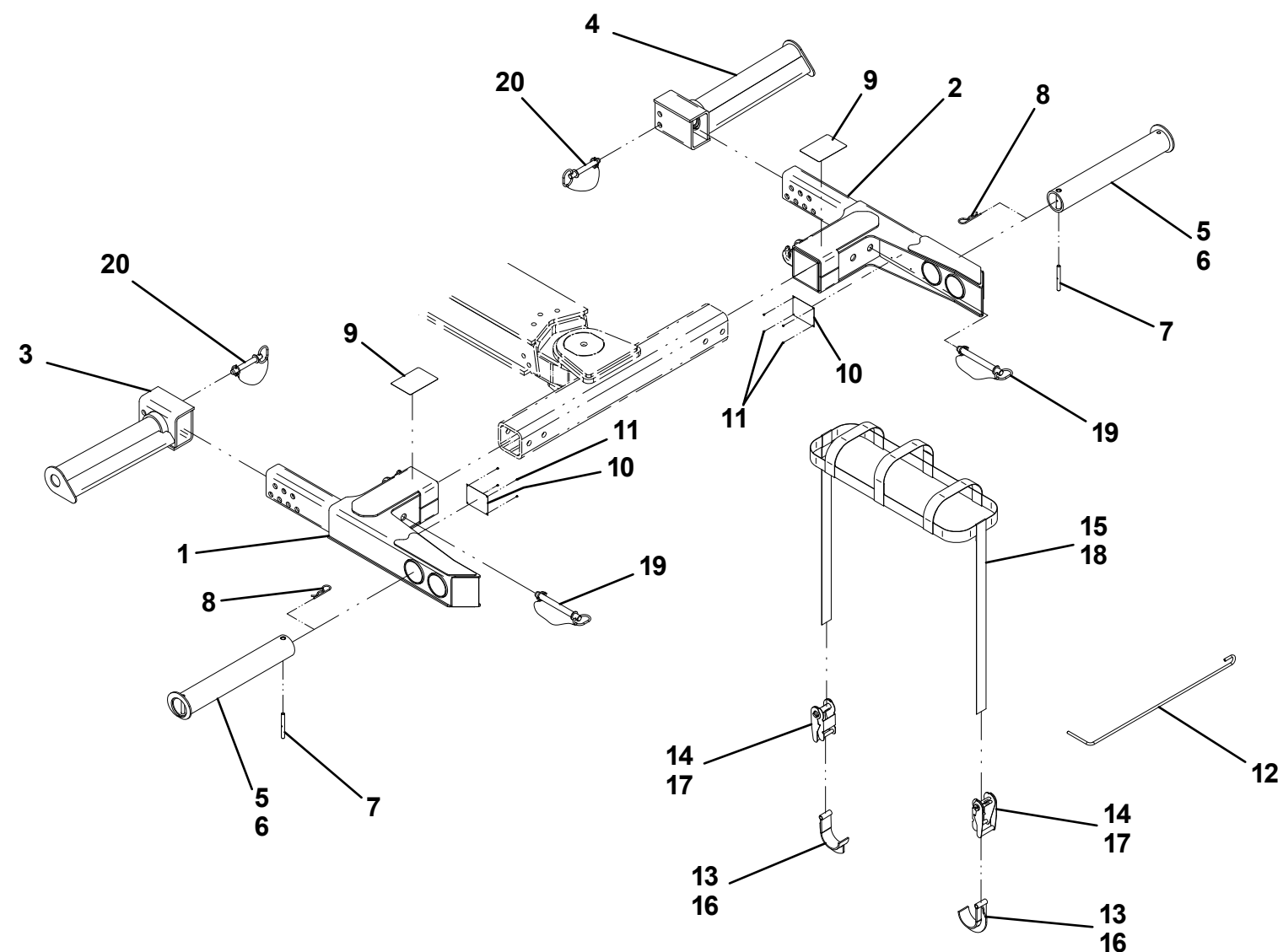
UNDERLIFT TOOLS - 25,000 LB TIRE LIFT

ITEM	PART NO.	DESCRIPTION	QTY
1	3484000072^	Tire Lift Grid - LH	1
2	3484000073^	Tire Lift Grid - RH	1
3	3020000119^	Tire Lift Arm Weldment - LH	1
4	3020000120^	Tire Lift Arm Weldment - RH	1
5	3912000038^	Tire Lift Tube Weldment - 23" Long	2
6	3912000033^	Tire Lift Tube Weldment - 27.5" Long	2
7	4691000274^	Pin	2
8	7691000020^	Hairpin	2
9	7330000278^	Decal	2
10	7330000550^	Decal	2
11	7759000004^	Rivet	8
12	4561000012^	Hook, Pull	1
13	3561000015*	Hook, 3" Wide Strap	4
14	7894000060*	Ratchet, 3" Wide Strap	4
15	7894000057*	Strap, 3" Wide	2
16	3561000008^	Hook, 2" Wide Strap	4
17	7894000028^	Ratchet, 2" Wide Strap	4
18	7894000037^	Strap, 2" Wide	2
19	7691000021	Hitch Pin	2
20	7691000026^	Hitch Pin	2

^ Also available as - 2502880300

* Available in Strap Kit - 7577000368

UNDERLIFT TOOLS - 25,000 LB TIRE LIFT

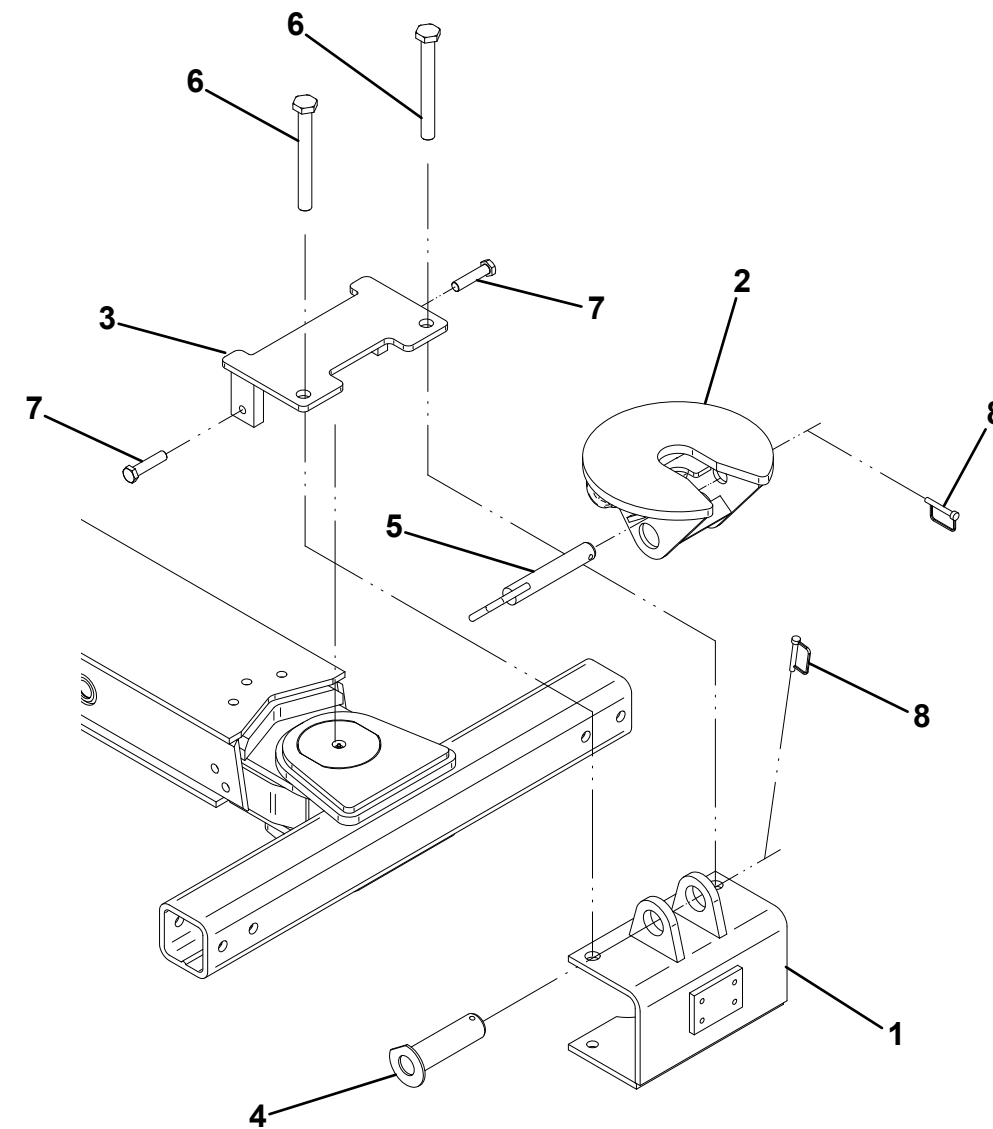


UNDERLIFT TOOLS - FIFTH WHEEL ATTACHMENT

ITEM	PART NO.	DESCRIPTION	QTY
1	3178000240*	Bracket Weldment	1
2	3178000499*	Bracket, Fifth Wheel Weldment	1
3	3706000080*	Plate Weldment	1
4	3691000144*	Pin	1
5	3691000145*	Pin	1
6	7118267250*	Capscrew, 1.00"-8NC x 9.00"	2
7	7120000036*	Capscrew, 0.75"-10NC x 3.25"	2
8	7691000025*	Pin	2

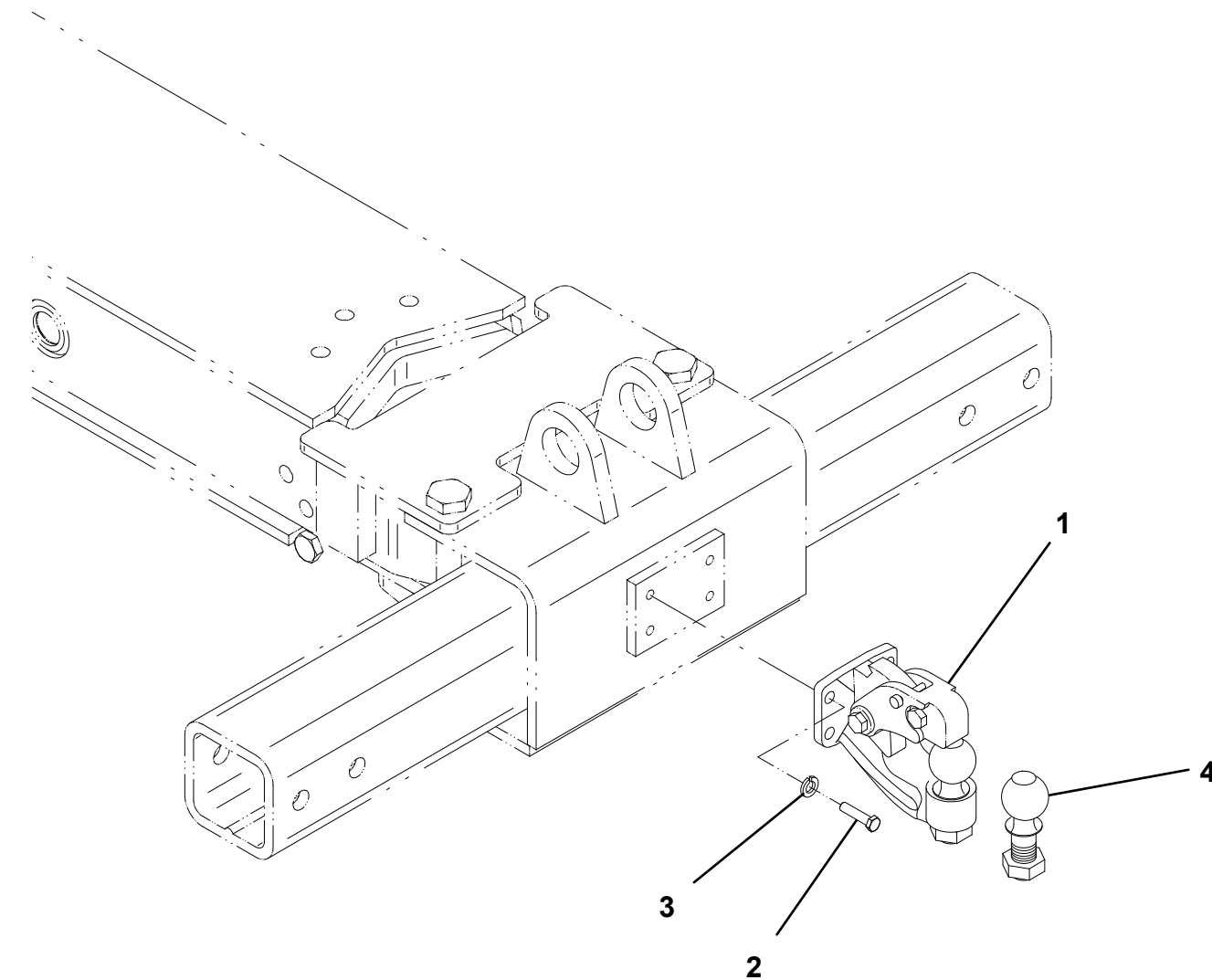
* Also available as - 2503880033

UNDERLIFT TOOLS - FIFTH WHEEL ATTACHMENT



UNDERLIFT TOOLS - PINTLE HOOK

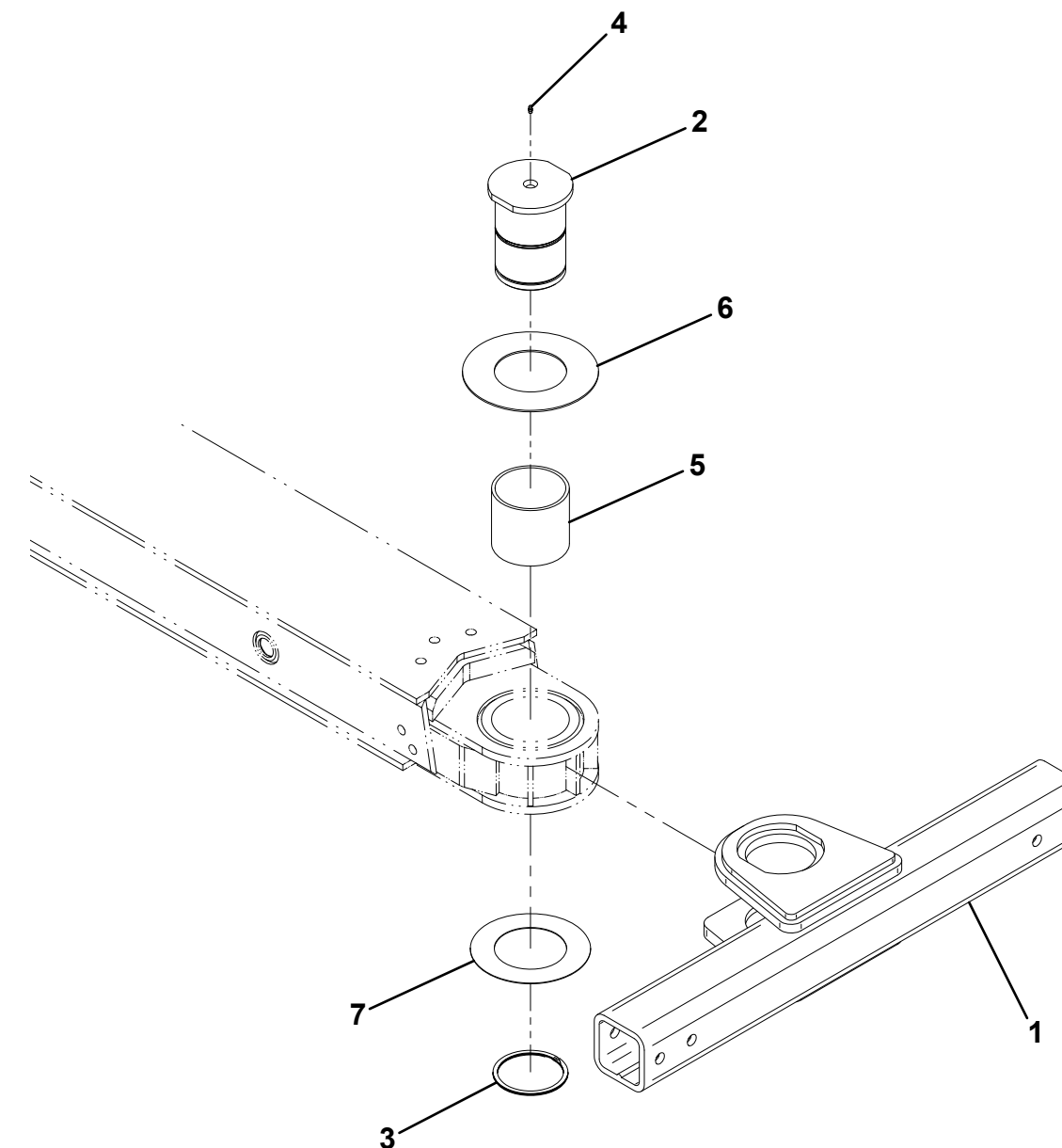
ITEM	PART NO.	DESCRIPTION	QTY
1	7561000020	Hitch, Pintle Hook with 2" Dia. Ball	1
2	7118181250	Capscrew, 0.50"-13NC x 1.50"	4
3	7950180000	Lockwasher, 0.50" ID	4
4	7056000003	Ball, 1.88" Dia	1
	7056000004	Ball, 2.00" Dia	
	7056000005	Ball, 2.31" Dia	
	7056000006	Ball, 50mm Dia	

UNDERLIFT TOOLS - PINTLE HOOK

CROSSTUBE INSTALLATION

ITEM	PART NO.	DESCRIPTION	QTY
1	3913000094	Crosstube Weldment	1
2	4691000242	Pin	1
3	7754000042	Retaining Ring	1
4	7440300000	Grease Fitting	1
5	7209000022	Bushing	1
6	4949000041*	Washer, 0.125" Thk	1
7	4949000042*	Washer, 0.63" Thk	2

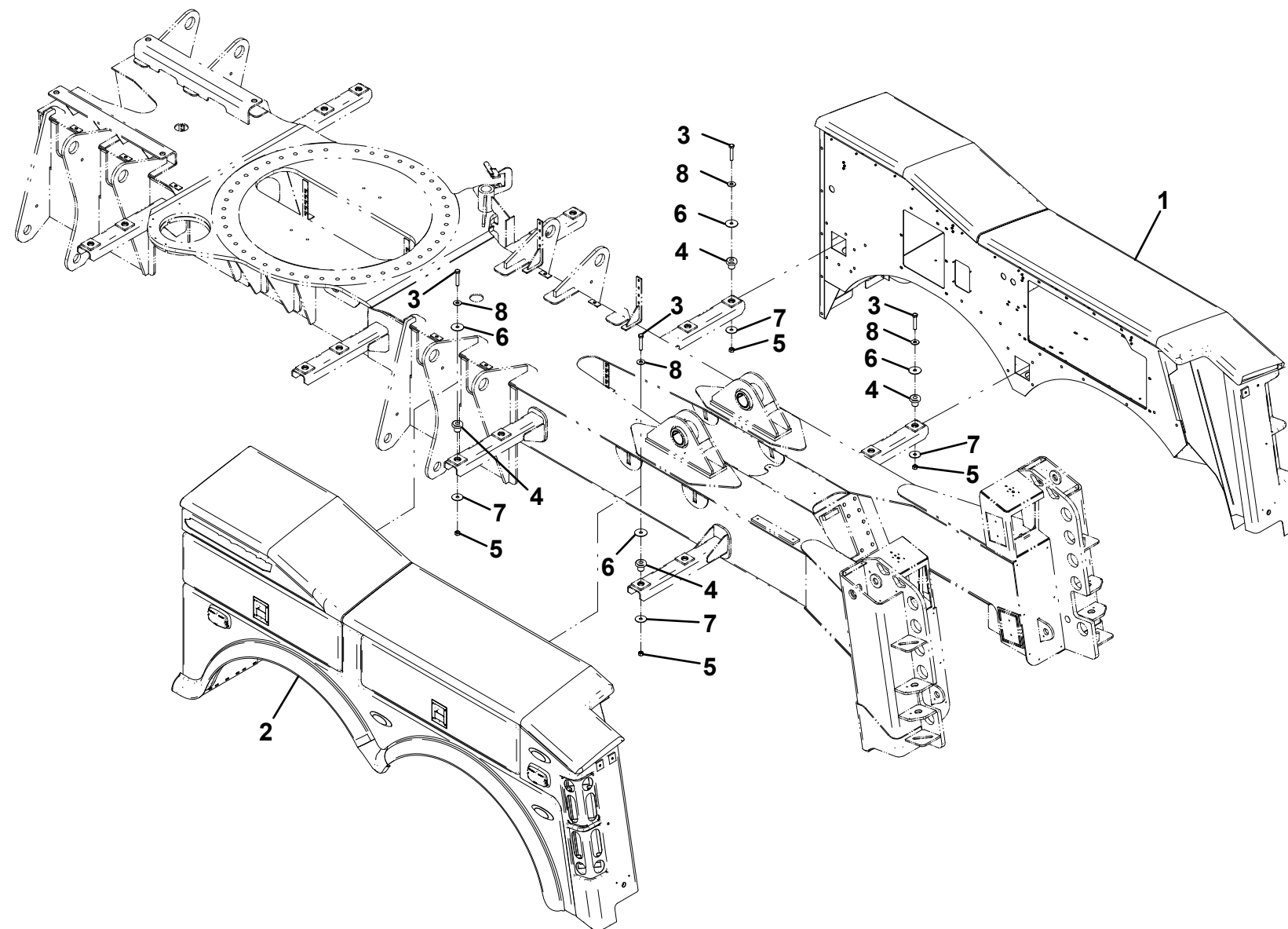
* Available in Shim Kit - 3577000018

CROSSTUBE INSTALLATION

REAR BODY INSTALLATION

ITEM	PART NO.	DESCRIPTION	QTY
1	1001137019	Body Assembly - Rear RH	1
2	1001137018	Body Assembly - Rear LH	1
3	7115202850	Capscrew, 0.63"-11NC x 3.50"	8
4	7636000008	Rubber Mount	8
5	7660200001	Nut, 0.63"-11NC	8
6	7494000019	Washer, Snub Head	8
7	7949000020	Washer, Snub Tail	8
8	7950200161	Flatwasher, 0.63" ID	8

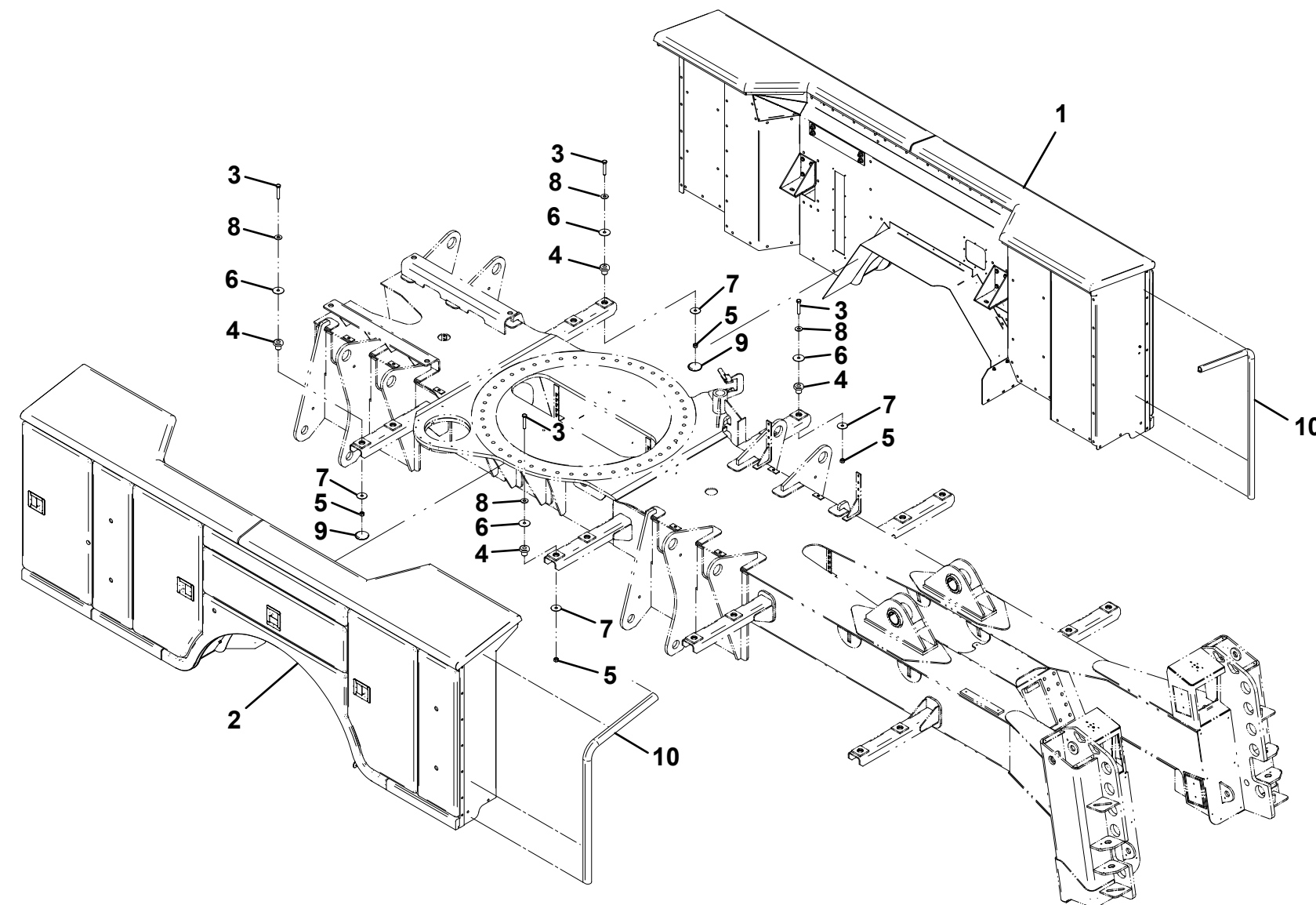
REAR BODY INSTALLATION



MID BODY INSTALLATION

ITEM	PART NO.	DESCRIPTION	QTY
1	1001135897	Body Assembly - Mid RH	1
2	1001135896	Body Assembly - Mid LH	1
3	7115202850	Capscrew, 0.63"-11NC x 3.50"	8
4	7636000008	Rubber Mount	8
5	7660200001	Nut, 0.63"-11NC	8
6	7494000019	Washer, Snub Head	8
7	7949000020	Washer, Snub Tail	8
8	7950200161	Flatwasher, 0.63" ID	8
9	1001143119	Plug, Hole	2
10	8632000011	Seal, Rubber "D"	12ft

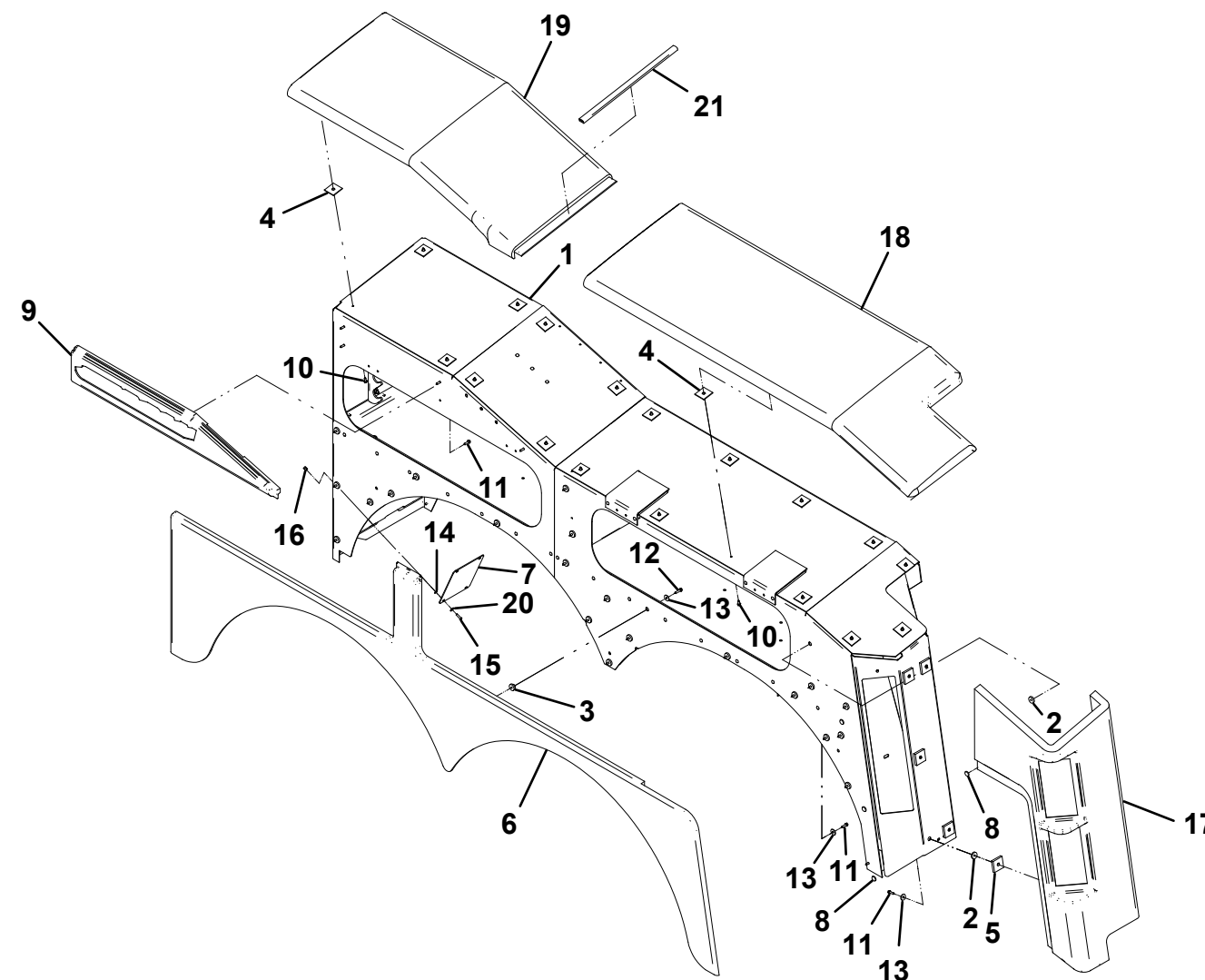
MID BODY INSTALLATION



BODY PANEL ASSEMBLY - REAR LH

ITEM	PART NO.	DESCRIPTION	QTY
1	1001136932	Body Bonding Assembly - Rear LH	1
2	4636000031	Rubber Mount, 1.06 Dia. x 0.36" Thk	18
3	4636000032	Rubber Mount, 1.06 Dia. x 0.54" Thk	10
4	4679000120	Pad, Rubber - 0.12" Thk	19
5	4679000122	Pad, Rubber - 0.38" Thk	5
6	4686000077	Tandem Wheel Well Panel - LH	1
7	4811000944	Panel	2
8	7189000015	Bumper, 0.81" Dia x 0.13" Thk	5
9	7686000016	Logo Panel - LH	1
10	7790141251	Screw, Self Tapping - 0.25" Dia x 0.75"	23
11	7790141651	Screw, Self Tapping - 0.25" Dia x 1.00"	23
12	7790142051	Screw, Self Tapping - 0.25" Dia x 1.25"	10
13	7949000022	Washer, Fender - 1.00" OD x 0.25" ID	31
14	7950140003	Lockwasher, 0.25" ID	8
15	7114140818	Capscrew, 0.25"-20NC x 1.00"	8
16	7413000002	Nutsert, 0.25"-20NC	8
17	7686000014	Tail Light Panel - LH	1
18	7686000018	Rear Cap Panel - LH	1
19	7686000041	Front Cap Panel - LH	1
20	7950140143	Flatwasher, 0.25" ID	8
21	7796000078	Gasket	1.9ft

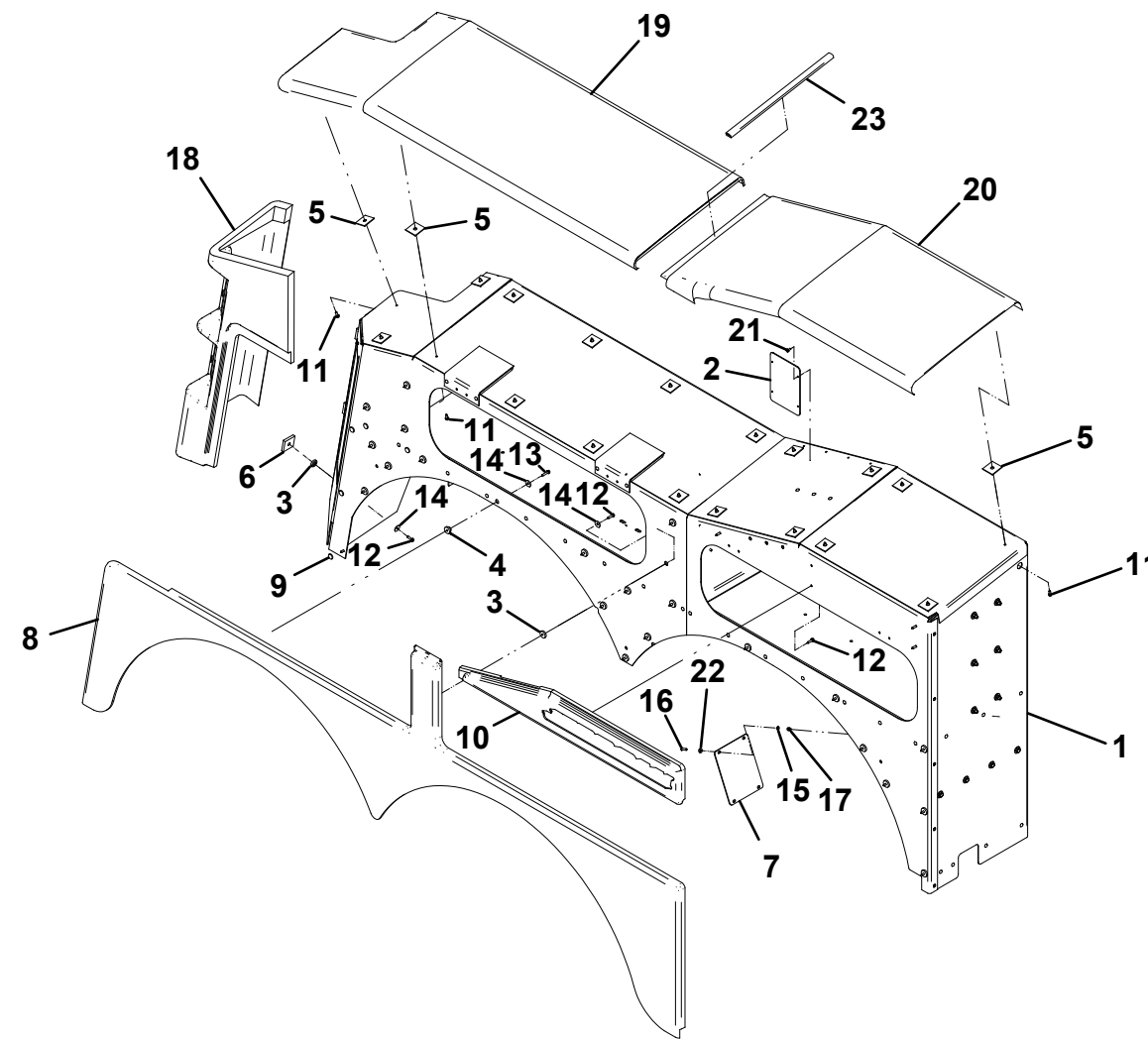
BODY PANEL ASSEMBLY - REAR LH



BODY PANEL ASSEMBLY - REAR RH

ITEM	PART NO.	DESCRIPTION	QTY
1	1001136931	Body Bonding Assembly - Rear RH	1
2	1001137273	Plate	1
3	4636000031	Rubber Mount, 1.06 Dia. x 0.36" Thk	18
4	4636000032	Rubber Mount, 1.06 Dia. x 0.54" Thk	10
5	4679000120	Pad, Rubber - 0.12" Thk	19
6	4679000122	Pad, Rubber - 0.38" Thk	5
7	4811000944	Panel	2
8	4686000078	Tandem Wheel Well Panel - RH	1
9	7189000015	Bumper, 0.81" Dia x 0.13" Thk	5
10	7686000015	Logo Panel - RH	1
11	7790141251	Screw, Self Tapping - 0.25" Dia x 0.75"	23
12	7790141651	Screw, Self Tapping - 0.25" Dia x 1.00"	23
13	7790142051	Screw, Self Tapping - 0.25" Dia x 1.25"	10
14	7949000022	Washer, Fender - 1.00" OD x 0.25" ID	31
15	7950140003	Lockwasher, 0.25" ID	8
16	7114140818	Cap screw, 0.25"-20NC x 1.00"	8
17	7413000002	Nutsert, 0.25"-20NC	8
18	7686000013	Tail Light Panel - RH	1
19	7686000017	Rear Cap Panel - RH	1
20	7686000042	Front Cap Panel - RH	1
21	7790100856	Screw, Self Tapping - #10 Dia x 0.50"	4
22	7950140143	Flatwasher, 0.25" ID	8
23	7796000078	Gasket	1.9ft

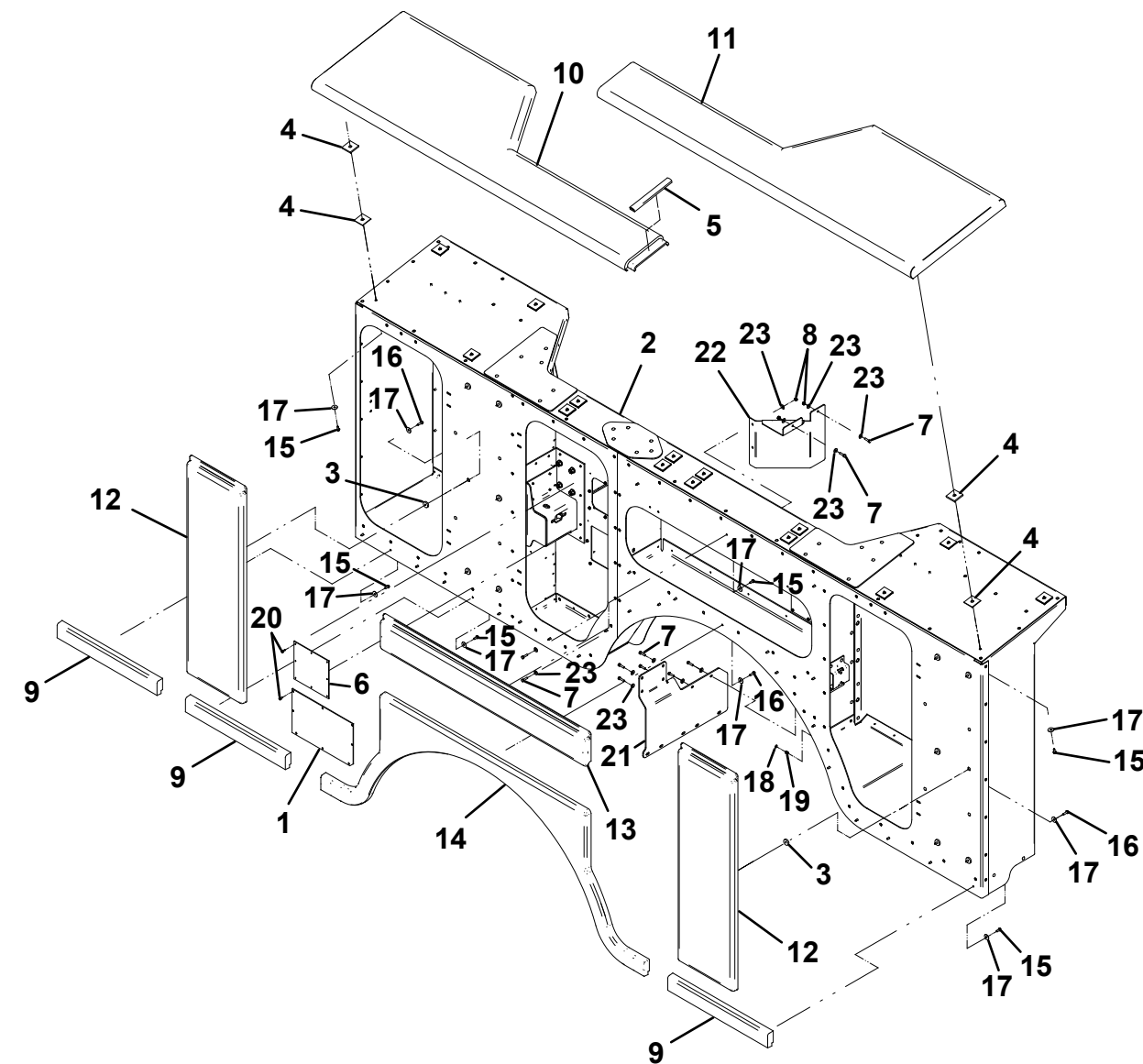
BODY PANEL ASSEMBLY - REAR RH



BODY PANEL ASSEMBLY - MID LH

ITEM	PART NO.	DESCRIPTION	QTY
1	1001135971	Panel	1
2	1001133875	Body Bonding Assembly - Mid LH	1
3	4636000031	Rubber Mount, 1.06 Dia. x 0.36" Thk	12
4	4679000120	Pad, Rubber - 0.12" Thk	16
	4679000121	Pad, Rubber - 0.25" Thk	
5	7632046009	Gasket	9in
6	4811000408	Sheet	2
7	7114140850	Capscrew, 0.25"-20NC x 1.00"	10
8	7660142604	Locknut, 0.25"-20NC	6
9	7686000019	Filler Strip Panel	3
10	7686000081	Cap Panel	1
11	7686000082	Cap Panel	1
12	7686000083	Side Panel	2
13	7686000084	Fill Panel	1
14	7686000086	Lower Trim Panel	1
15	7790141251	Screw, Self Tapping - 0.25" Dia x 0.75"	34
16	7790141651	Screw, Self Tapping - 0.25" Dia x 1.00"	21
17	7949000022	Washer, Fender - 1.00" OD x 0.25" ID	56
18	7950140003	Lockwasher, 0.25" ID	4
19	7413000002	Nutsert, 0.25"-20NC	4
20	7790100856	Screw, Self Tapping - #10 Dia x 0.50"	24
21	1001134078	Bracket, Mid Body Mud Flap - LH	1
22	1001134039	Panel, Drive Motor Guard	1
23	7950140163	Flatwasher, 0.25" ID	16

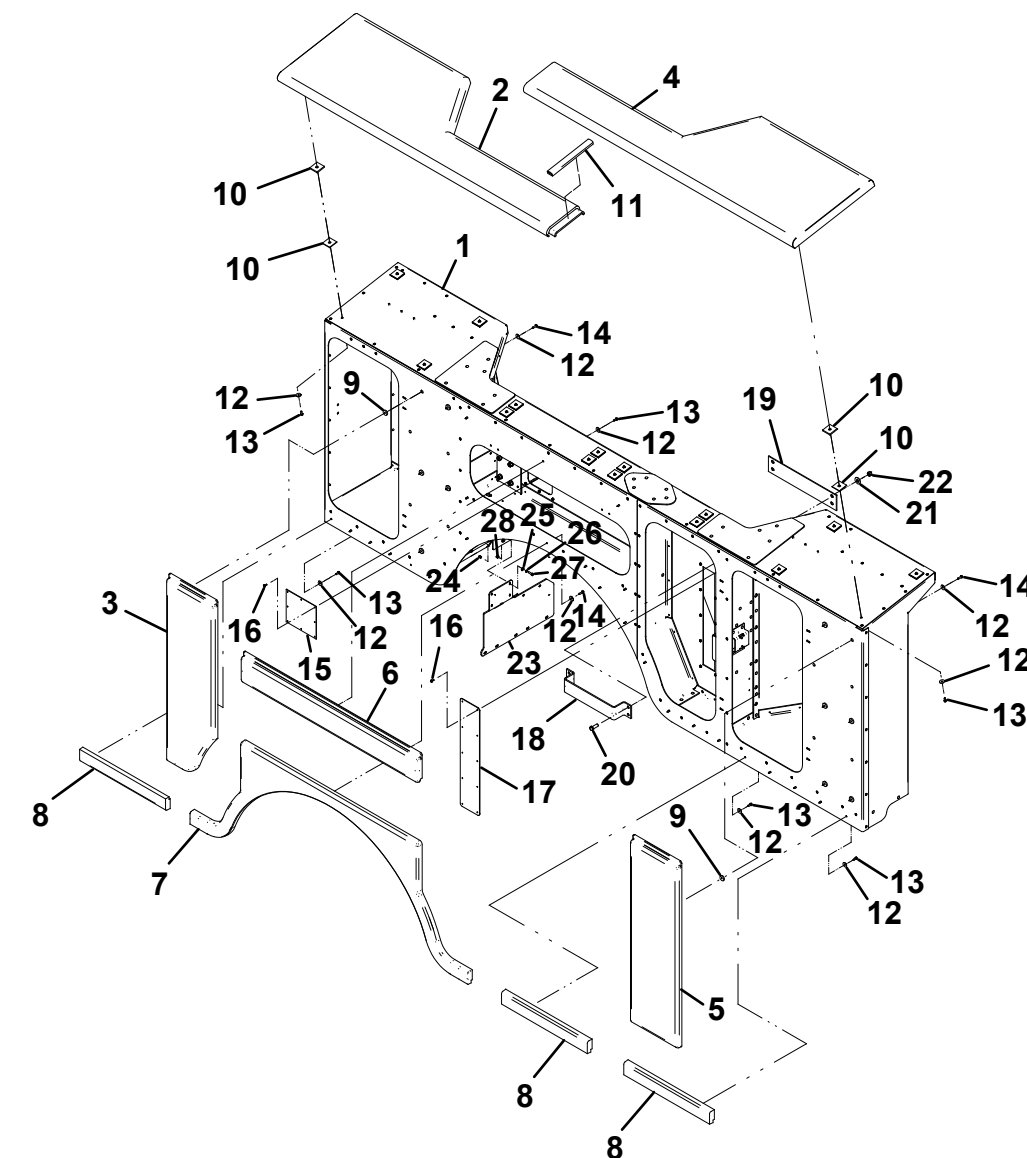
BODY PANEL ASSEMBLY - MID LH



BODY PANEL ASSEMBLY - MID RH

ITEM	PART NO.	DESCRIPTION	QTY
1	1001133876	Body Bonding Assembly - Mid RH	1
2	7686000081	Cap Panel	1
3	7686000085	Side Panel - RH	1
4	7686000082	Cap Panel	1
5	7686000083	Side Panel	1
6	7686000084	Fill Panel	1
7	7686000086	Lower Trim Panel	1
8	7686000019	Filler Strip Panel	3
9	7636000031	Rubber Mount, 1.06 Dia. x 0.36" Thk	11
10	4679000120	Pad, Rubber - 0.12" Thk	16
	4679000121	Pad, Rubber - 0.25" Thk	
11	7632046009	Gasket	9in
12	7949000022	Washer, Fender - 1.00" OD x 0.25" ID	53
13	7790141251	Screw, Self Tapping - 0.25" Dia x 0.75"	33
14	7790141651	Screw, Self Tapping - 0.25" Dia x 1.00"	20
15	4811000408	Sheet	1
16	7790100856	Screw, Self Tapping - #10 Dia x 0.50"	18
17	4314000141	Coverplate	1
18	7950140003	Bracket	1
19	4706005490	Plate	1
20	7115181250	Capscrew, 0.50"-13NC x 1.50"	4
21	7950180161	Flatwasher, 0.50" ID	4
22	7660182601	Locknut, 0.50"-13NC	4
23	1001134095	Bracket, Mid Body Mud Flap - RH	1
24	7413000002	Nutsert, 0.25"-20NC	4
25	7950140163	Flatwasher, 0.25" ID	8
26	7950140003	Lockwasher, 0.25" ID	4
27	7114140850	Capscrew, 0.25"-20NC x 1.00"	6
28	7660142604	Locknut, 0.25"-20NC	2

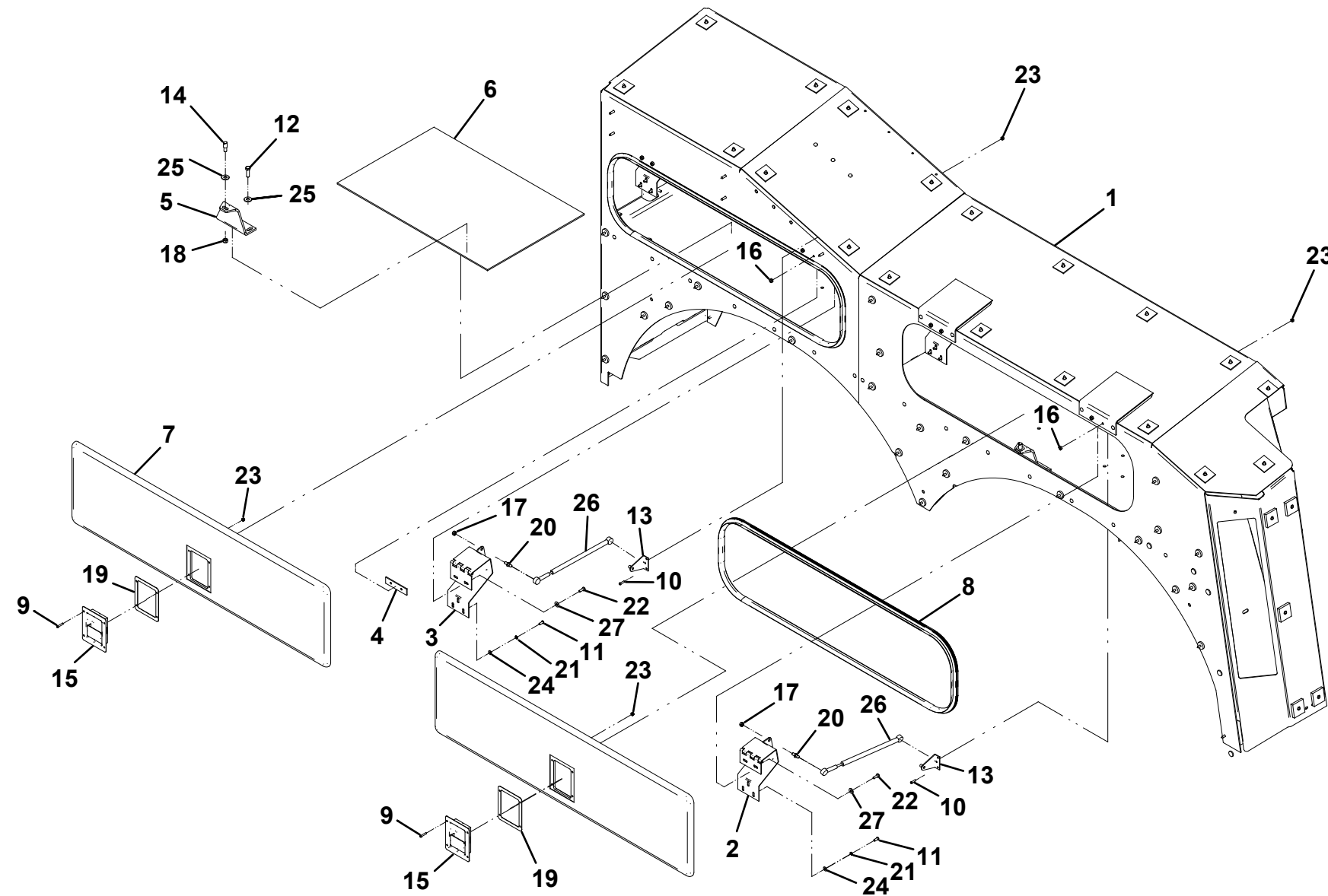
BODY PANEL ASSEMBLY - MID RH



BODY DOOR AND HARDWARE ASSEMBLY - REAR LH

ITEM	PART NO.	DESCRIPTION	QTY
1	1001136932	Body Bonding Assembly - Rear LH	1
2	3555000007	Rear Hinge	2
3	3555000008	Front Hinge	2
4	4062000174	Bar	2
5	4178000225	Bracket	2
6	4679000309	Pad, Rubber	1
7	4686000074	Door Panel	2
8	4632000013	Seal, Horizontal Door	2
9	7114100818	Capscrew, #10-24NC x 1.00"	8
10	7114100618	Capscrew, #10-24NC x 0.75"	12
11	7114140518	Capscrew, 0.25"-24NC x 0.63"	12
12	7114161050	Capscrew, 0.38"-16NC x 1.00"	4
13	7178000023	Bracket, Ball Stud	4
14	7585000009	Latch Striker	2
15	7595000005	Latch, 2 Stage Rotary	2
16	7660142604	Locknut, 0.25"-20NC	8
17	7660152604	Locknut, 0.31"-18NC	4
18	7660162604	Locknut, 0.38"-16NC	6
19	7796000038	Gasket	2
20	7865000001	Ball Stud	4
21	7949000074	Lockwasher, Serrated - 11mm ID	12
22	7114140650	Capscrew, 0.25"-20NC x 0.75"	8
23	7660102604	Locknut, #10-24NC	20
24	7950100153	Flatwasher, 0.19" ID	12
25	7950160163	Flatwasher, 0.38" ID	10
26	7843000022	Gas Spring - 7.25" Stroke	4
27	7950140163	Flatwasher, 0.25" ID	8

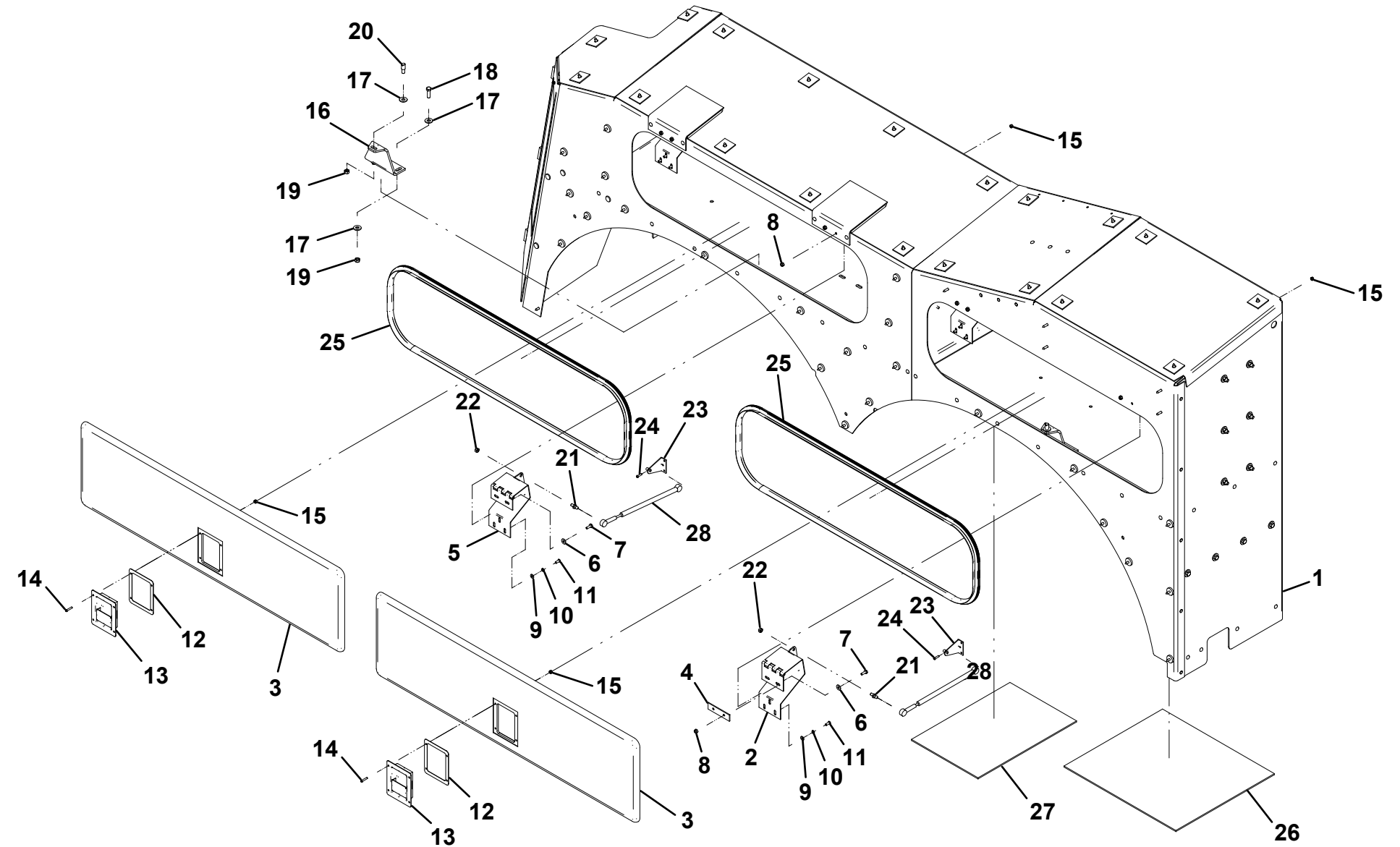
BODY DOOR AND HARDWARE ASSEMBLY - REAR LH



BODY DOOR AND HARDWARE ASSEMBLY - REAR RH

ITEM	PART NO.	DESCRIPTION	QTY
1	1001136931	Body Bonding Assembly - Rear RH	1
2	3555000008	Front Hinge	2
3	4686000074	Door Panel	2
4	4062000174	Bar	2
5	3555000007	Rear Hinge	2
6	7950140163	Flatwasher, 0.25" ID	8
7	7114140650	Capscrew, 0.25"-20NC x 0.75"	8
8	7660142604	Locknut, 0.25"-20NC	8
9	7950100153	Flatwasher, 0.19" ID	12
10	7949000074	Lockwasher, Serrated - 11mm ID	12
11	7114140518	Capscrew, 0.25"-24NC x 0.63"	12
12	7796000038	Gasket	2
13	7595000005	Latch, 2 Stage Rotary	2
14	7114100818	Capscrew, #10-24NC x 1.00"	8
15	7660102604	Locknut, #10-24NC	20
16	4178000225	Bracket	2
17	7950160163	Flatwasher, 0.38" ID	10
18	7114161050	Capscrew, 0.38"-16NC x 1.00"	4
19	7660162604	Locknut, 0.38"-16NC	6
20	7585000009	Latch Striker	2
21	7865000001	Ball Stud	4
22	7660152604	Locknut, 0.31"-18NC	4
23	7178000023	Bracket, Ball Stud	4
24	7114100618	Capscrew, #10-24NC x 0.75"	12
25	4632000013	Seal, Horizontal Door	2
26	4679000310	Pad, Rubber	1
27	4679000311	Pad, Rubber	1
28	7843000022	Gas Spring - 7.25" Stroke	4

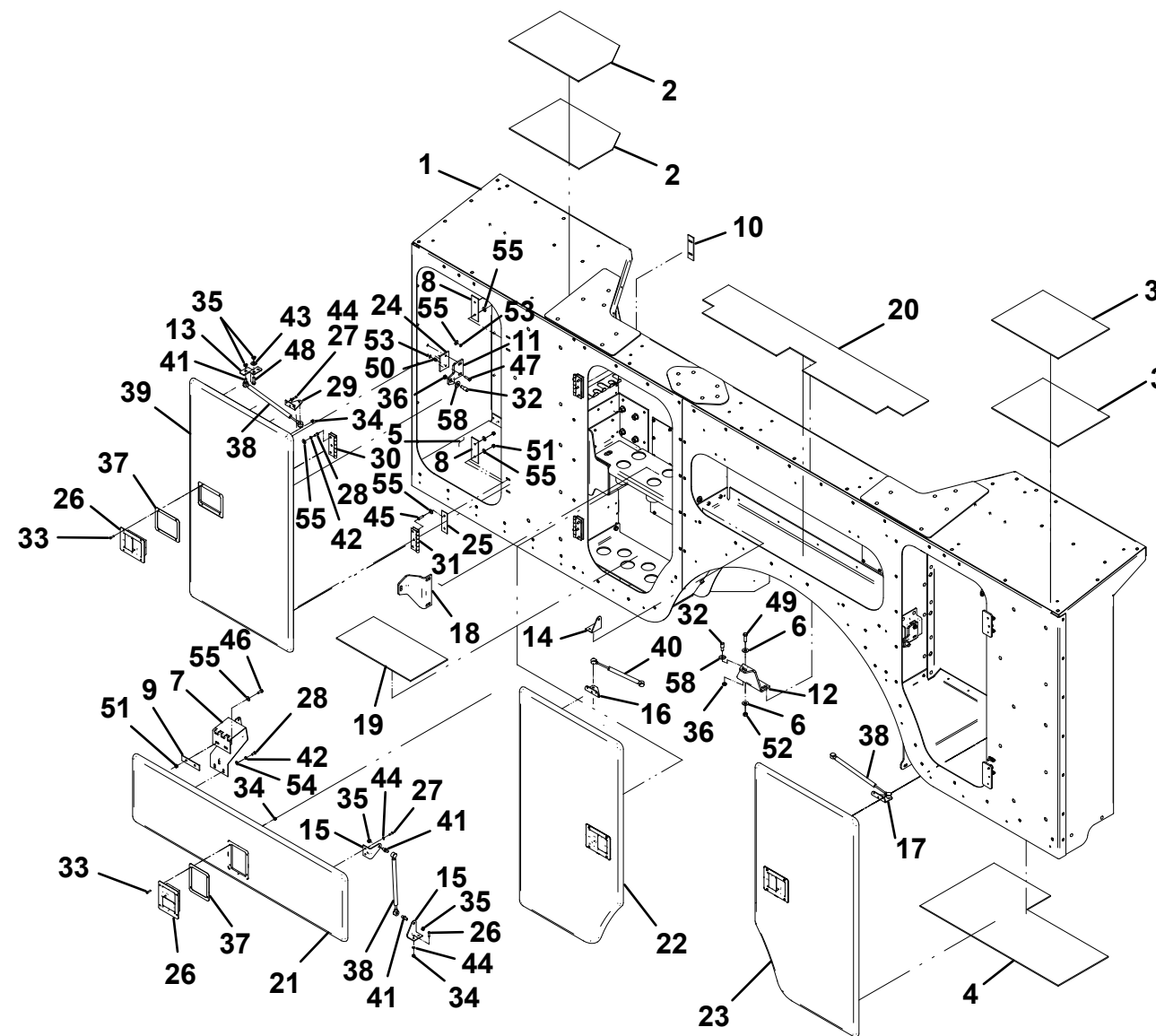
BODY DOOR AND HARDWARE ASSEMBLY - REAR RH



BODY DOOR AND HARDWARE ASSEMBLY - MID LH

ITEM	PART NO.	DESCRIPTION	QTY	ITEM	PART NO.	DESCRIPTION	QTY
1	1001133875	Body Bonding Assembly - Mid LH	1	40	7843000026	Gas Spring - 5.50" Stroke	1
2	1001136908	Pad, Rubber	2	41	7865000001	Ball Stud	9
3	1001136909	Pad, Rubber	2	42	7949000025	Lockwasher, Serrated - 11mm ID	24
4	1001136910	Pad, Rubber	1	43	7950150163	Flatwasher, 0.31" ID	40
5	1001166916	Pad, Rubber	1	44	7950100143	Flatwasher, #10 ID	21
6	7950160163	Flatwasher, 0.38" ID	8	45	7114140818	Capscrew, 0.25"-20NC x 1.00"	12
7	3555000008	Front Hinge	2	46	7114140650	Capscrew, 0.25"-20NC x 0.75"	4
8	4062000173	Bar	4	47	7114140850	Capscrew, 0.25"-20NC x 1.00"	4
9	4062000174	Bar	2	48	7114150850	Capscrew, 0.31"-18NC x 1.00"	6
10	4062000624	Bar	2	49	7114161050	Capscrew, 0.38"-16NC x 1.25"	4
11	4178000222	Bracket	2	50	7413000002	Nutsert, 0.25"-20NC	4
12	4178000225	Bracket	1	51	7660142604	Locknut, 0.25"-20NC	16
13	4178000553	Bracket	3	52	7660162604	Locknut, 0.38"-16NC	4
14	4178000555	Bracket - LH	2	53	7950140003	Lockwasher, 0.25" ID	4
15	4178000556	Bracket - RH	2	54	7950140143	Flatwasher, 0.25" ID	6
16	4178000583	Bracket - LH	1	55	7950140163	Flatwasher, 0.25" ID	50
17	4178000854	Bracket - RH	1				
18	4178000594	Bracket	1				
19	4679000260	Pad, Rubber	1				
20	4679000261	Pad, Rubber	1				
21	4686000210	Door Panel	1				
22	4686000212	Door Panel - Mid LH	1				
23	4686000215	Door Panel - Mid RH	1				
24	4706005393	Plate	1				
25	4812000052	Shim	6				
26	7114100618	Capscrew, #10-24NC x 0.75"	22				
27	7114100518	Capscrew, #10-24NC x 0.62"	15				
28	7114140518	Capscrew, 0.25"-20NC x 0.62"	24				
29	7178000023	Bracket, Ball Stud	1				
30	7555000002	Hinge	6				
31	7950140163	Flatwasher, 0.38" ID	4				
32	7585000009	Latch Striker	4				
33	7595000005	Latch, 2 Stage Rotary	4				
34	7660102604	Locknut, #10-24NC	22				
35	7660152604	Locknut, 0.31"-18NC	14				
36	7660162604	Locknut, 0.38"-16NC	4				
37	7796000038	Gasket	4				
38	7843000020	Gas Spring - 6.00" Stroke	4				
39	4686000073	Door Panel - RH	1				

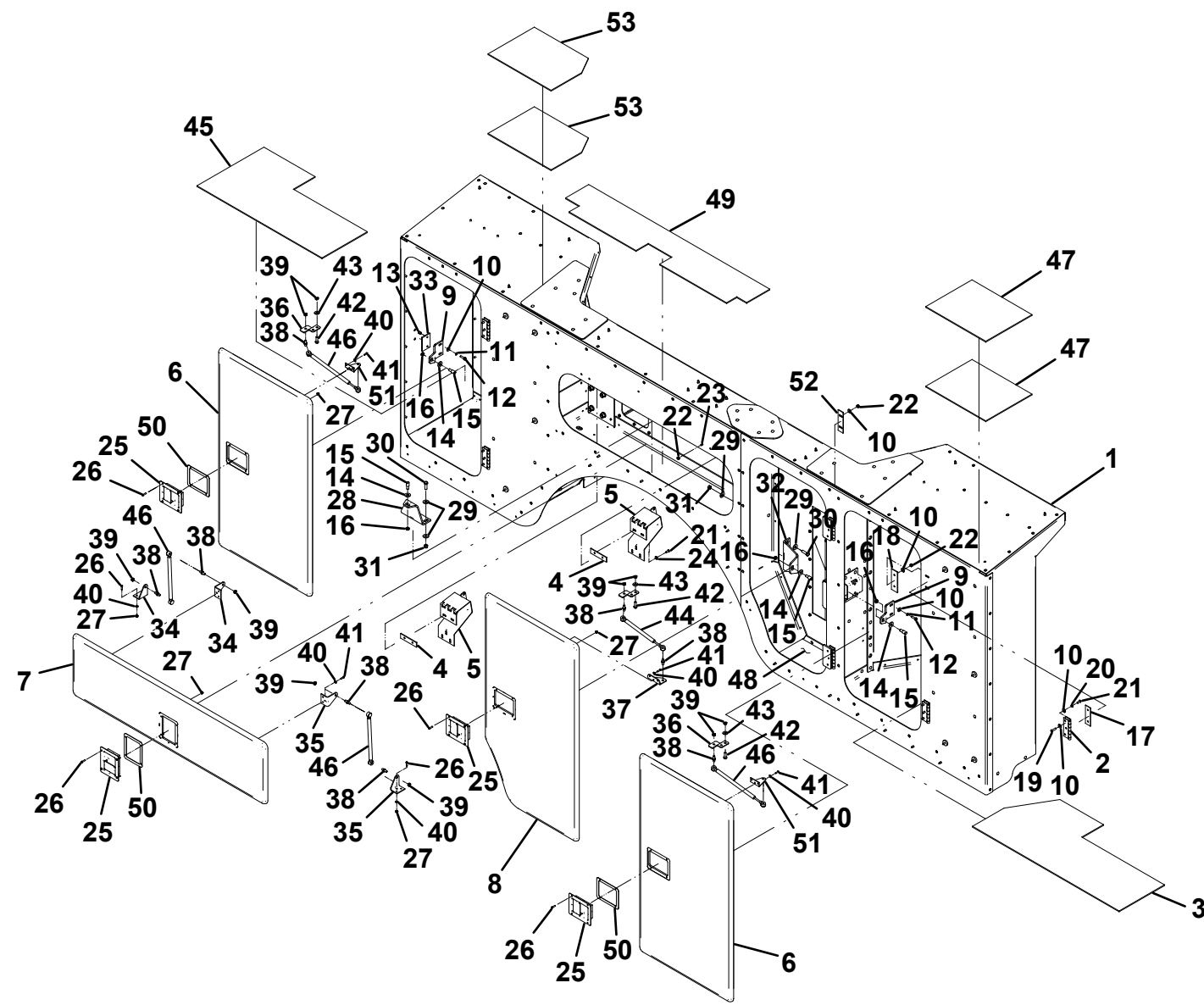
BODY DOOR AND HARDWARE ASSEMBLY - MID LH



BODY DOOR AND HARDWARE ASSEMBLY - MID RH

ITEM	PART NO.	DESCRIPTION	QTY	ITEM	PART NO.	DESCRIPTION	QTY
1	1001133876	Body Bonding Assembly - Mid RH	1	40	7950100143	Flatwasher, #10 ID	21
2	7555000002	Hinge	6	41	7114100518	Capscrew, #10-24NC x 0.62"	6
3	1001137001	Pad, Rubber	1	42	7114150850	Capscrew, 0.31"-18NC x 1.00"	6
4	4062000174	Bar	2	43	7950151063	Flatwasher, 0.31" ID	6
5	3555000008	Hinge	2	44	7843000026	Gas Spring - 5.50" Stroke	1
6	4686000073	Door Panel - RH	2	45	1001136910	Pad, Rubber	1
7	4686000210	Door Panel	1	46	7843000020	Gas Spring - 6.00" Stroke	4
8	4686000215	Door Panel - Mid RH	1	47	1001136909	Pad, Rubber	2
9	4178000222	Bracket	2	48	4679000260	Pad, Rubber	1
10	7950140163	Flatwasher, 0.25" ID	50	49	4679000261	Pad, Rubber	1
11	7950140003	Lockwasher	4	50	7796000038	Gasket	4
12	7114140850	Capscrew, 0.25"-20NC x 1.00"	4	51	7178000023	Bracket, Ball Stud	2
13	7413000002	Nutsert, 0.25"-20NC	4	52	4062000624	Bar	2
14	7950160163	Flatwasher, 0.38" ID	4	53	1001136908	Pad, Rubber	2
15	7585000009	Latch Striker	4				
16	7660162604	Locknut, 0.38"-16NC	8				
17	4812000052	Shim	6				
18	4062000173	Bar	4				
19	7114140818	Capscrew, 0.25"-20NC x 1.00"	12				
20	7949000074	Lockwasher, Serrated - 11mm ID	24				
21	7114140518	Capscrew, 0.25"-20NC x 0.62"	24				
22	7660142604	Locknut, 0.25"-20NC	16				
23	7114140650	Capscrew, 0.25"-20NC x 0.75"	4				
24	7950140143	Flatwasher, 0.25" ID	6				
25	7595000005	Latch, 2 Stage Rotary	4				
26	7114100618	Capscrew, #10-24NC x 0.75"	22				
27	7660102604	Locknut, #10-24NC	22				
28	4178000225	Bracket	1				
29	7950160163	Flatwasher, 0.38" ID	8				
30	7114161050	Capscrew, 0.38"-16NC x 1.25"	4				
31	7660162601	Locknut, 0.38"-16NC	4				
32	4178000564	Bracket	1				
33	4706005393	Plate	1				
34	4178000555	Bracket - LH	2				
35	4178000556	Bracket - RH	2				
36	4178000553	Bracket	3				
37	4178000584	Bracket - RH	1				
38	7865000001	Ball Stud	8				
39	7660152604	Locknut, 0.31"-18NC	14				

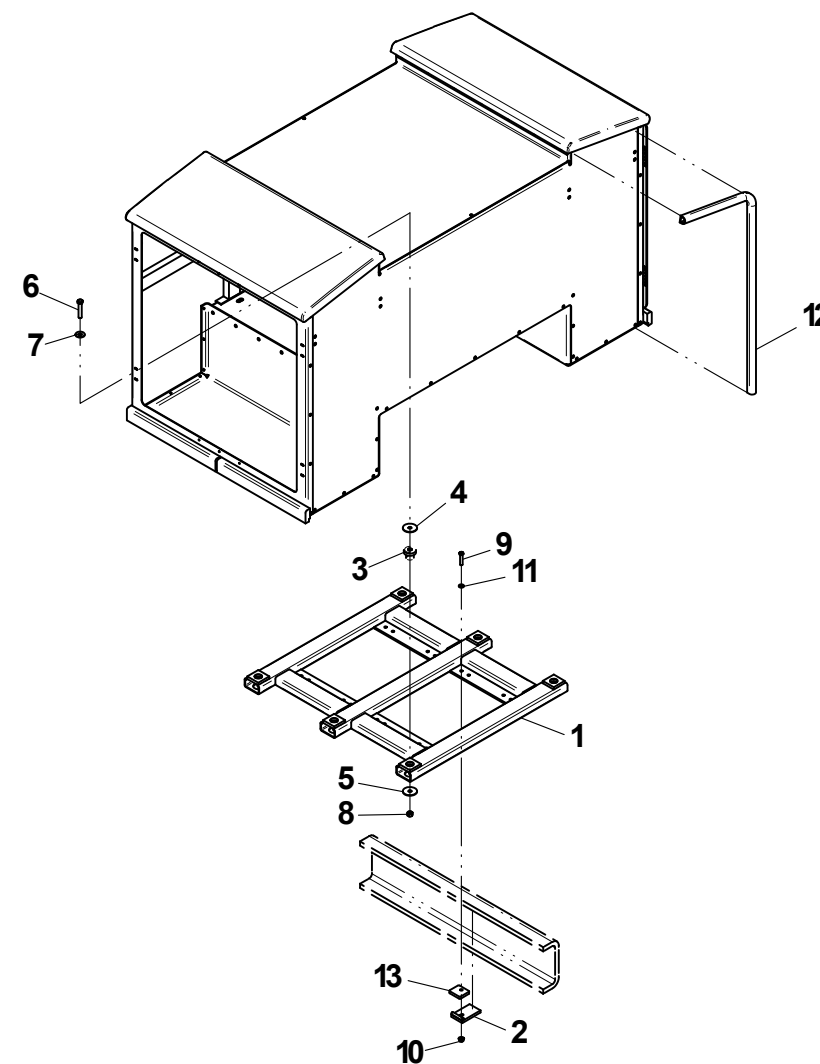
BODY DOOR AND HARDWARE ASSEMBLY - MID RH



49" TUNNEL TOOL COMPARTMENT INSTALLATION

ITEM	PART NO.	DESCRIPTION	QTY
1	3911000068	Mount, Tube Weldment	1
2	3274000011	Clamp Weldment	8
3	7636000008	Rubber Mount	6
4	7949000019	Washer, Snub Head	24
5	7949000020	Washer, Snub Tail	6
6	7115202850	Capscrew, 0.63"-11NC x 3.50"	6
7	7590200161	Flatwasher, 0.63" ID	6
8	7660200001	Nut, 0.63"-11NC	6
9	7115182050	Capscrew, 0.50"-13NC x 2.50"	8
10	7660182301	Locknut, 0.50"-13NC	8
11	7950180252	Flatwasher, 0.50" ID	8
12	8632000011	Seal, Rubber "D"	12ft
13	4705000705	Plate	8

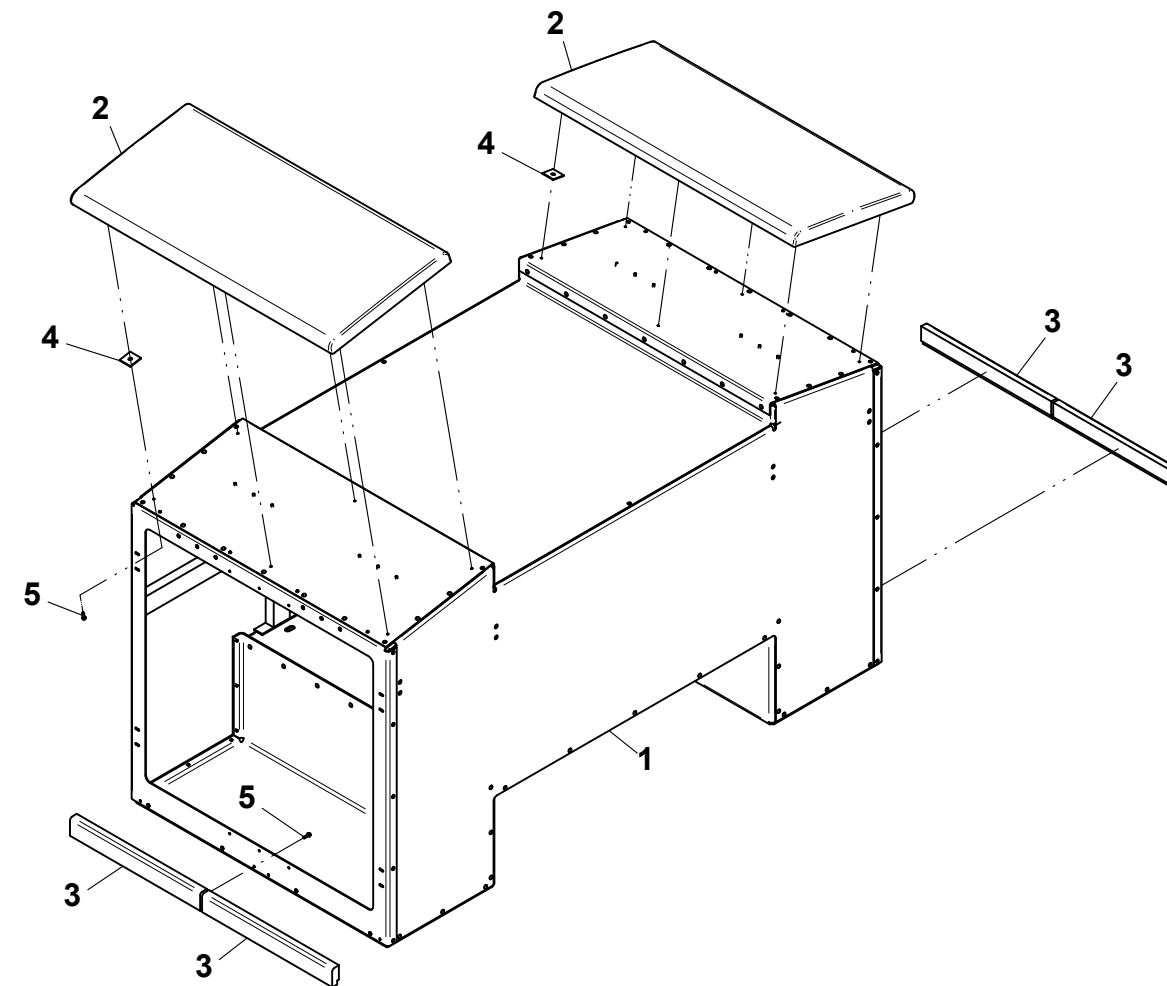
49" TUNNEL TOOL COMPARTMENT INSTALLATION



49" TUNNEL TOOL COMPARTMENT PANEL ASSEMBLY

ITEM	PART NO.	DESCRIPTION	QTY
1	3502740106	Bonding Assembly	1
2	7686000050	Cap Panel	2
3	7686000031	Filler Strip Panel	4
4	4679000120	Pad, Rubber - .12" Thk	12
5	7790141651	Screw, Self Tapping - 0.25" Dia x 1.00"	20

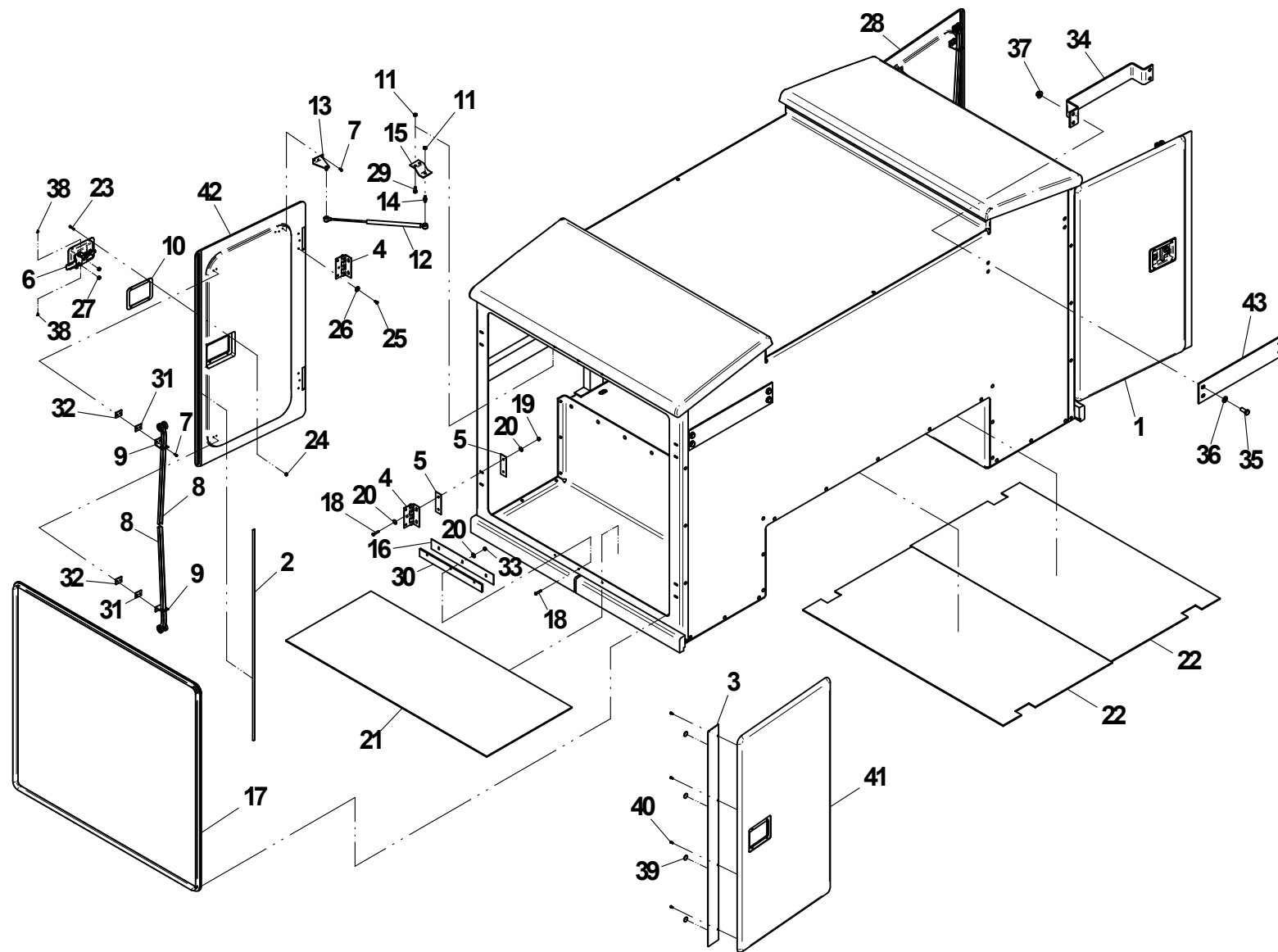
49" TUNNEL TOOL COMPARTMENT PANEL ASSEMBLY



49" TUNNEL TOOL COMPARTMENT DOOR AND HARDWARE ASSEMBLY

ITEM	PART NO.	DESCRIPTION	QTY	ITEM	PART NO.	DESCRIPTION	QTY
1	4686000133	Door Panel	1	40	7114100318	Capscrew, #10-24NC x 0.38"	8
2	4632000025	Seal, Vertical Door	2	41	4686000185	Door Panel	1
3	4811000355	Sheet	2	42	4686000186	Door Panel	1
4	7555000002	Hinge	8	43	4811000947	Sheet	4
5	4812000052	Shim	16				
6	7595000011	Latch, "T" Handle	4				
7	7114100418	Capscrew, #10-24NC x 0.50"	28				
8	7585000016	Latch Roller	8				
9	4178000337	Bracket	8				
10	7796000031	Gasket	4				
11	7660152604	Locknut, 0.31"-18NC	12				
12	7843000020	Gas Spring - 6.00" Stroke	4				
13	7178000023	Bracket, Ball Stud	4				
14	7865000001	Ball Stud	4				
15	4178000240	Bracket	4				
16	4811000335	Sheet	4				
17	4632000024	Seal, Vertical Door	2				
18	7114141018	Capscrew, 0.25"-20NC x 1.25"	28				
19	7660142604	Locknut, 0.25"-20NC	16				
20	7950140163	Flatwasher, 0.25" ID	56				
21	4679000181	Pad, Rubber	2				
22	4679000188	Pad, Rubber	2				
23	7114100818	Capscrew, #10-24NC x 1.00"	16				
24	7660102604	Locknut, #10-24NC	16				
25	7114140418	Capscrew, 0.25"-20NC x 0.50"	24				
26	7950140503	Lockwasher, 0.25" ID	24				
27	7831000040	Spacer	8				
28	4686000134	Door Panel	1				
29	7114150650	Capscrew, 0.31"-18NC x 0.75"	8				
30	4062000368	Bar	4				
31	4811000336	Sheet	8				
32	4811000337	Sheet	8				
33	7660140001	Nut, 0.25"-20NC	12				
34	4178000229	Bracket	4				
35	7115181050	Capscrew, 0.50"-13NC x 1.25"	16				
36	7950180153	Flatwasher, 0.50" ID	16				
37	7660182301	Locknut, 0.50"-13NC	16				
38	7690000810	Pin, Cotter	8				
39	7189000015	Bumper	8				

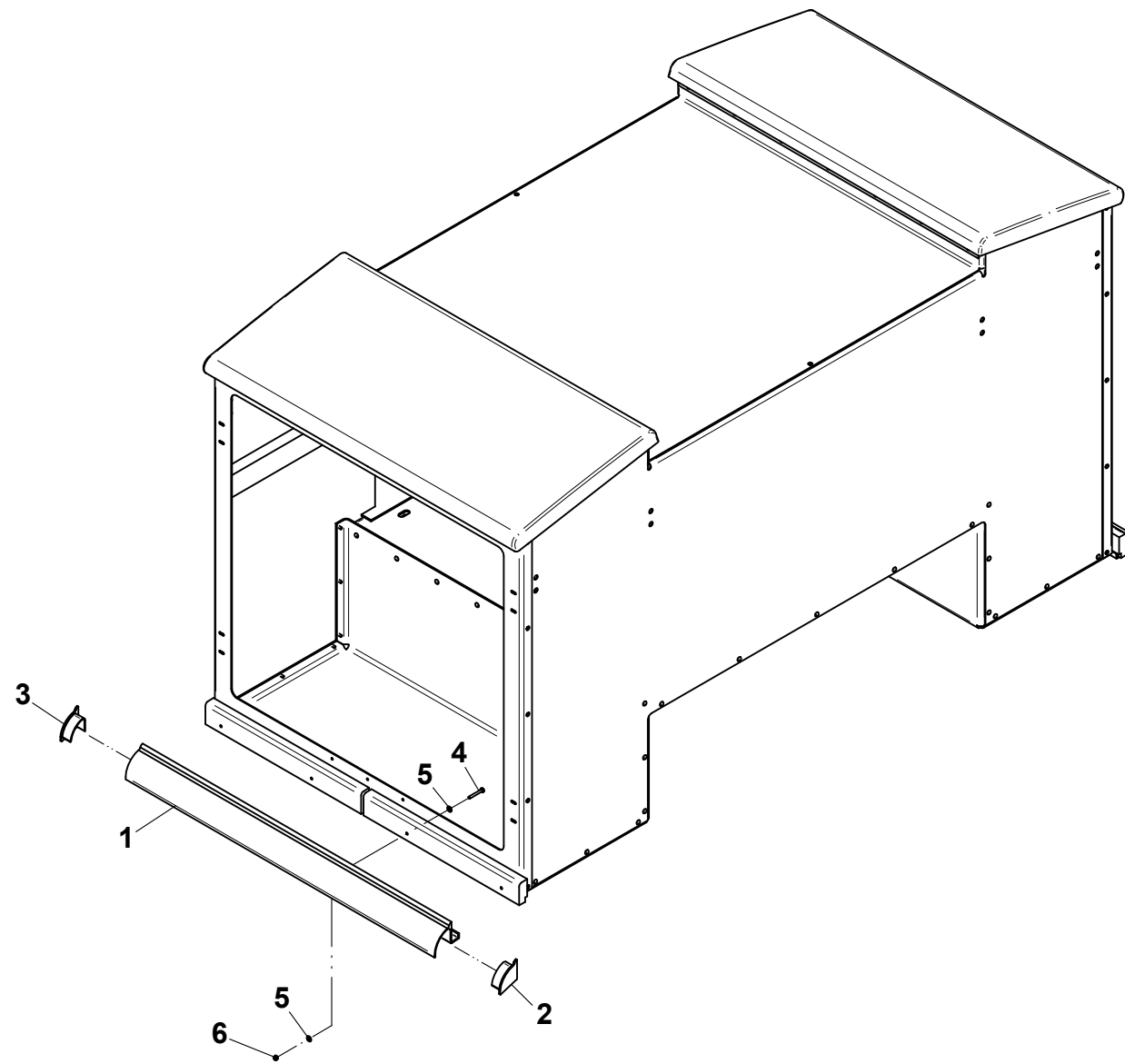
49" TUNNEL TOOL COMPARTMENT DOOR AND HARDWARE ASSEMBLY



49" TUNNEL TOOL COMPARTMENT FENDER FLARE ASSEMBLY

ITEM	PART NO.	DESCRIPTION	QTY
1	4415000046	Flare, Body	2
2	7415000014	Flare, Body Cap - LH	2
3	7415000013	Flare, Body Cap - RH	2
4	7114141850	Capscrew, 0.25"-20NC x 2.25"	8
5	7970140151	Flatwasher, 0.25" ID	8
6	7660142604	Locknut, 0.25"-20NC	8

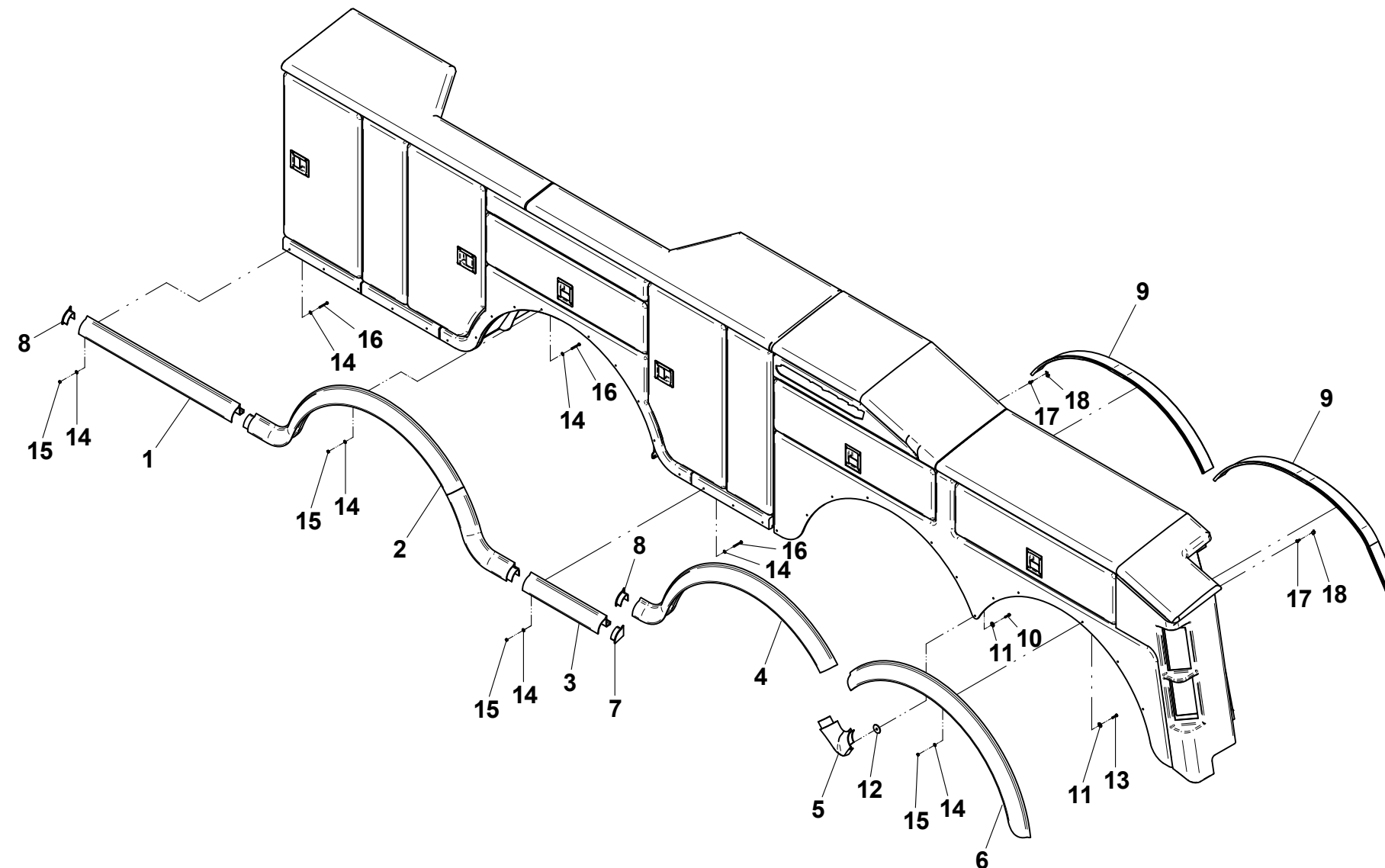
49" TUNNEL TOOL COMPARTMENT FENDER FLARE ASSEMBLY



FENDER FLARE INSTALLATION

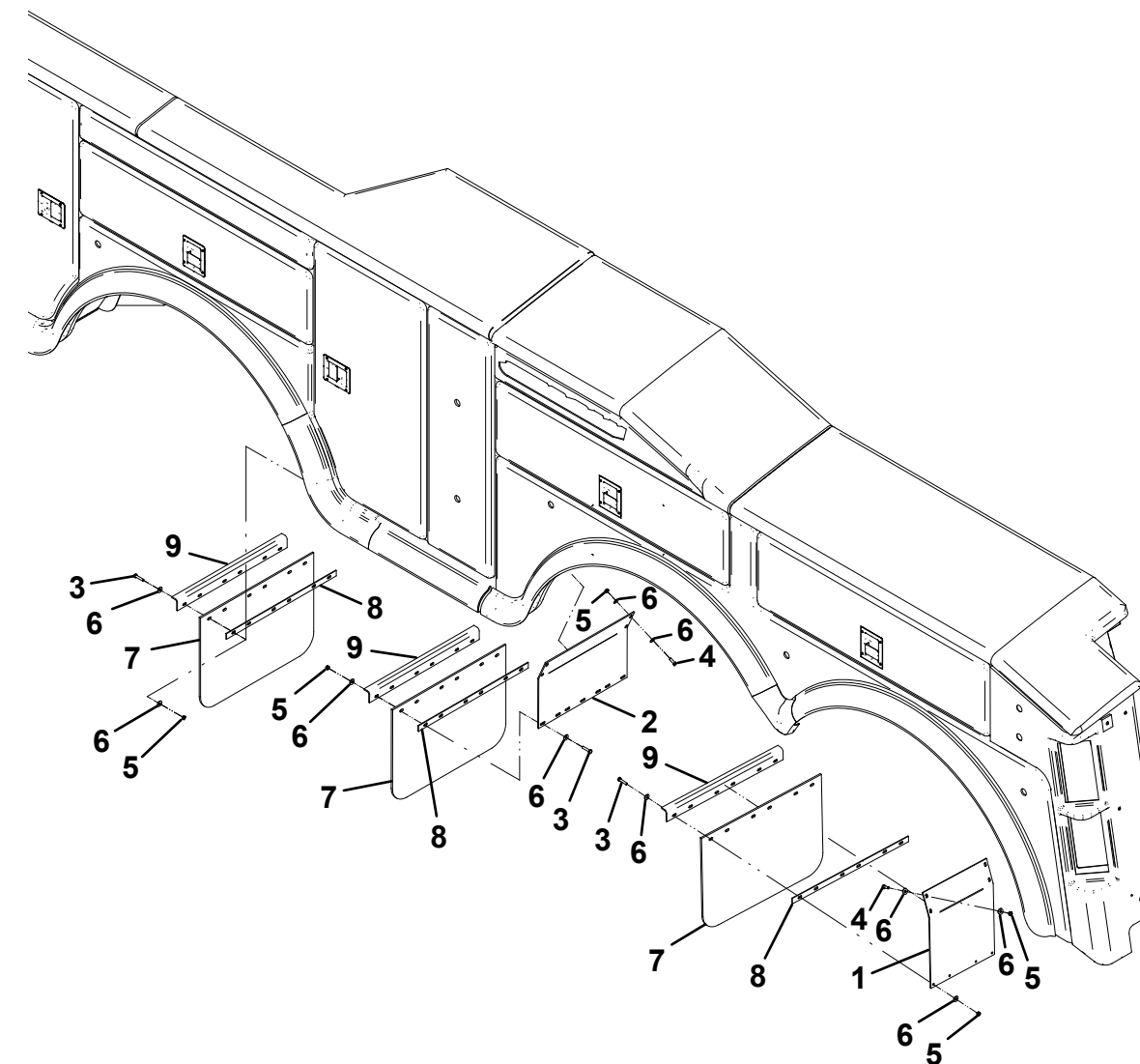
ITEM	PART NO.	DESCRIPTION	QTY
1	1001137373	Fender Flare, Body	2
2	3415000047	Wheelwell Flare - Lift Axle	2
3	4415000053	Fender Flare, Body	2
4	4415000054	Wheelwell Flare, Front - LH	1
	4415000055	Wheelwell Flare, Front - RH	1
5	7415000010	Junction, Flare	2
6	4415000019	Wheelwell Flare, Rear - LH	1
	4415000017	Wheelwell Flare, Rear - RH	1
7	7415000013	Flare, Body Cap - RH	3
8	7415000014	Flare, Body Cap - LH	3
9	7415000032	Fender, Inner	24ft
10	7790142051	Screw, Self-Tapping - 0.25" Dia x 1.25"	2
11	7949000022	Washer, Fender	24
12	4679000148	Pad	2
13	7111141050	Capscrew, 0.25"-20NC x 1.25"	22
14	7950140141	Flatwasher, 0.25" ID	96
15	7660142601	Locknut, 0.25"-20NC	58
16	7115141850	Capscrew, 0.25"-20NC x 2.25"	36
17	7790141056	Screw, Self-Tapping - 0.25" Dia x 0.63"	8
18	7280000020	Wire Clip	8

FENDER FLARE INSTALLATION



MUDFLAP INSTALLATION

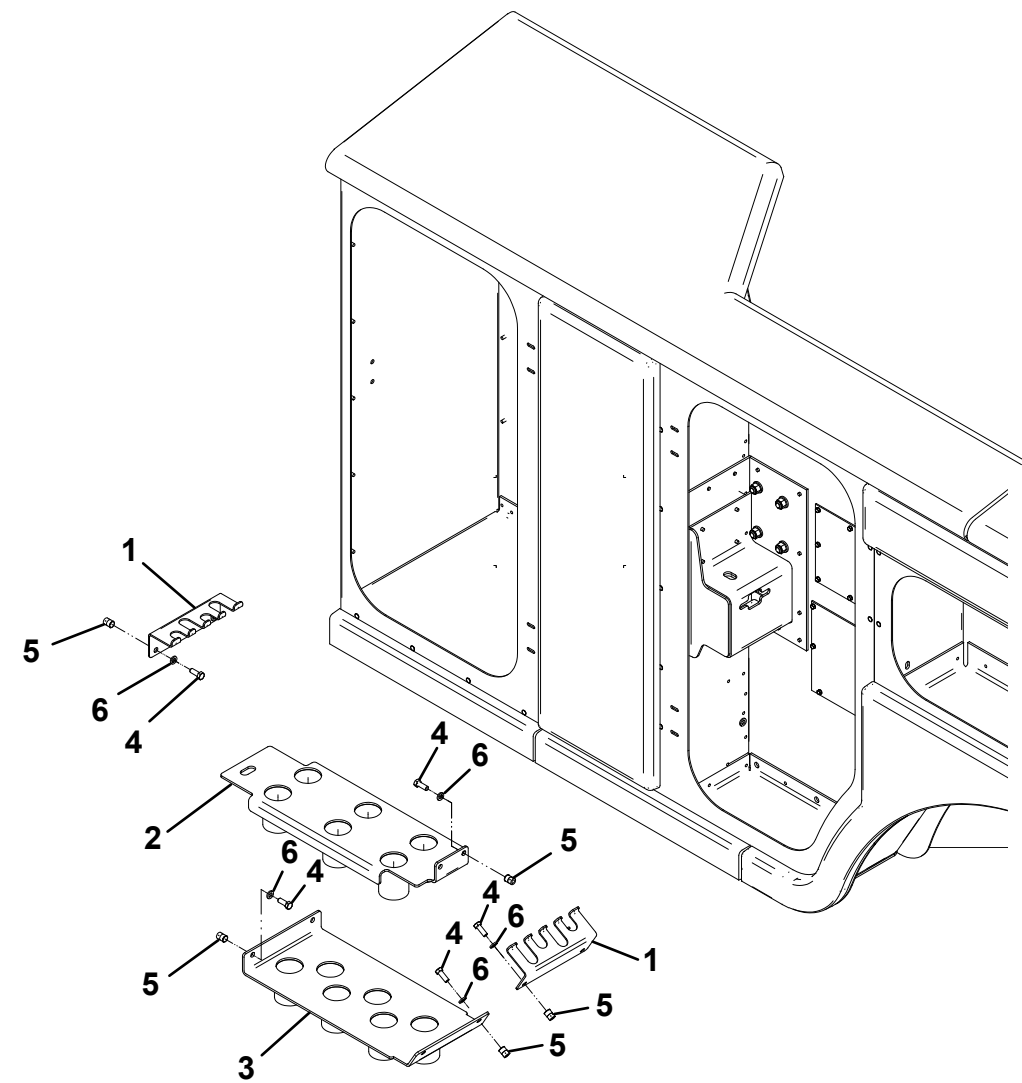
ITEM	PART NO.	DESCRIPTION	QTY
1	4178000242	Bracket	2
2	4178000661	Bracket	2
3	7118151250	Capscrew, 0.31"-18NC x 1.50"	36
4	7115150850	Capscrew, 0.31"-18NC x 1.00"	16
5	7660152601	Locknut, 0.31"-18NC	36
6	7950150161	Flatwasher, 0.31" ID	104
7	7638000012	Mudflap	6
8	4706001815	Plate	6
9	4017000719	Angle	6



TOOL HOLDER BRACKET INSTALLATION

ITEM	PART NO.	DESCRIPTION	QTY
1	4178000678	Bracket	2
2	4811001026	Bracket	1
3	4811001027	Bracket	1
4	7115160850	Capscrew, 0.38"-16NC x 1.00"	10
5	7413000003	Nutsert, 0.38"-16NC	10
6	7950160000	Lockwasher, 0.38" ID	10

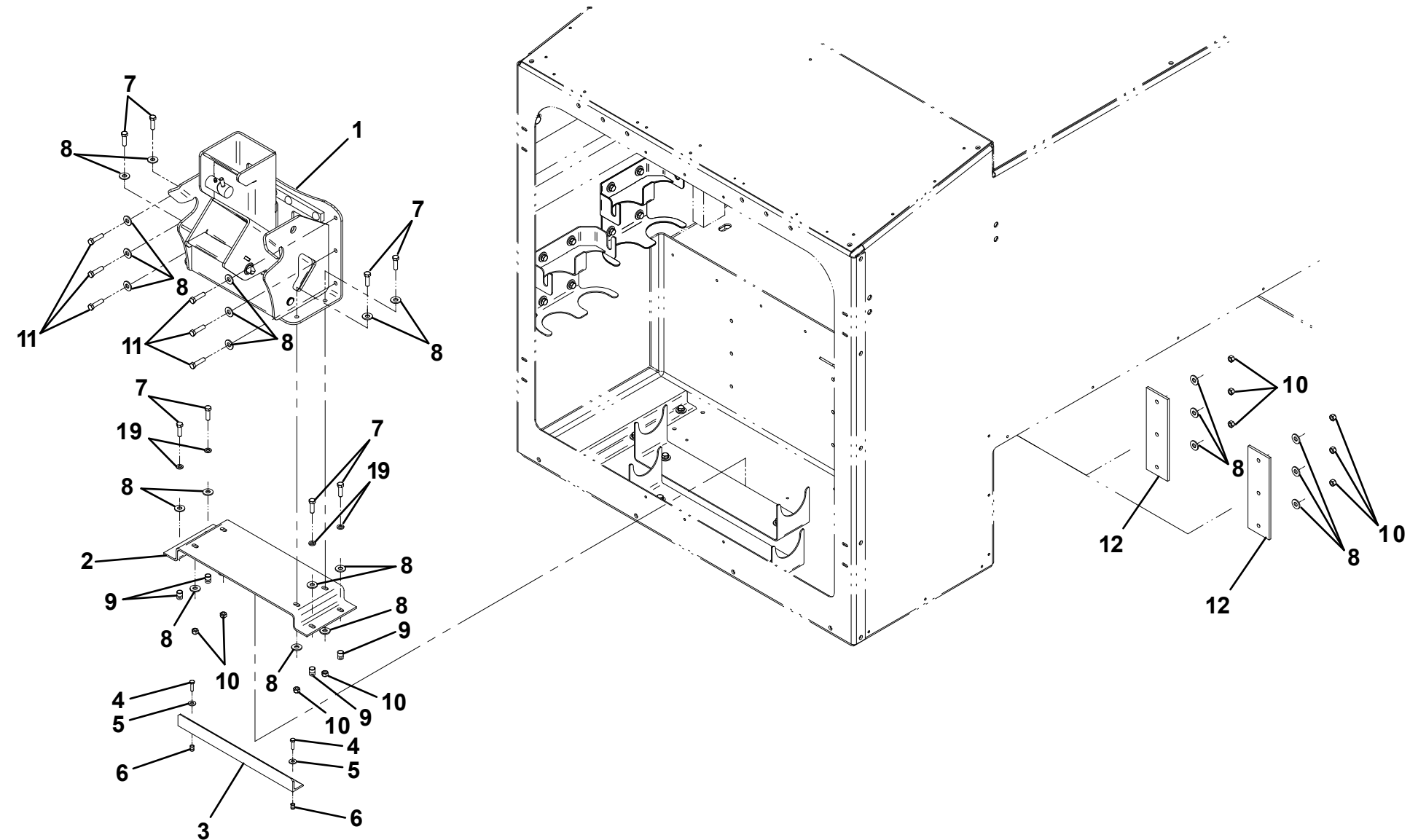
TOOL HOLDER BRACKET INSTALLATION



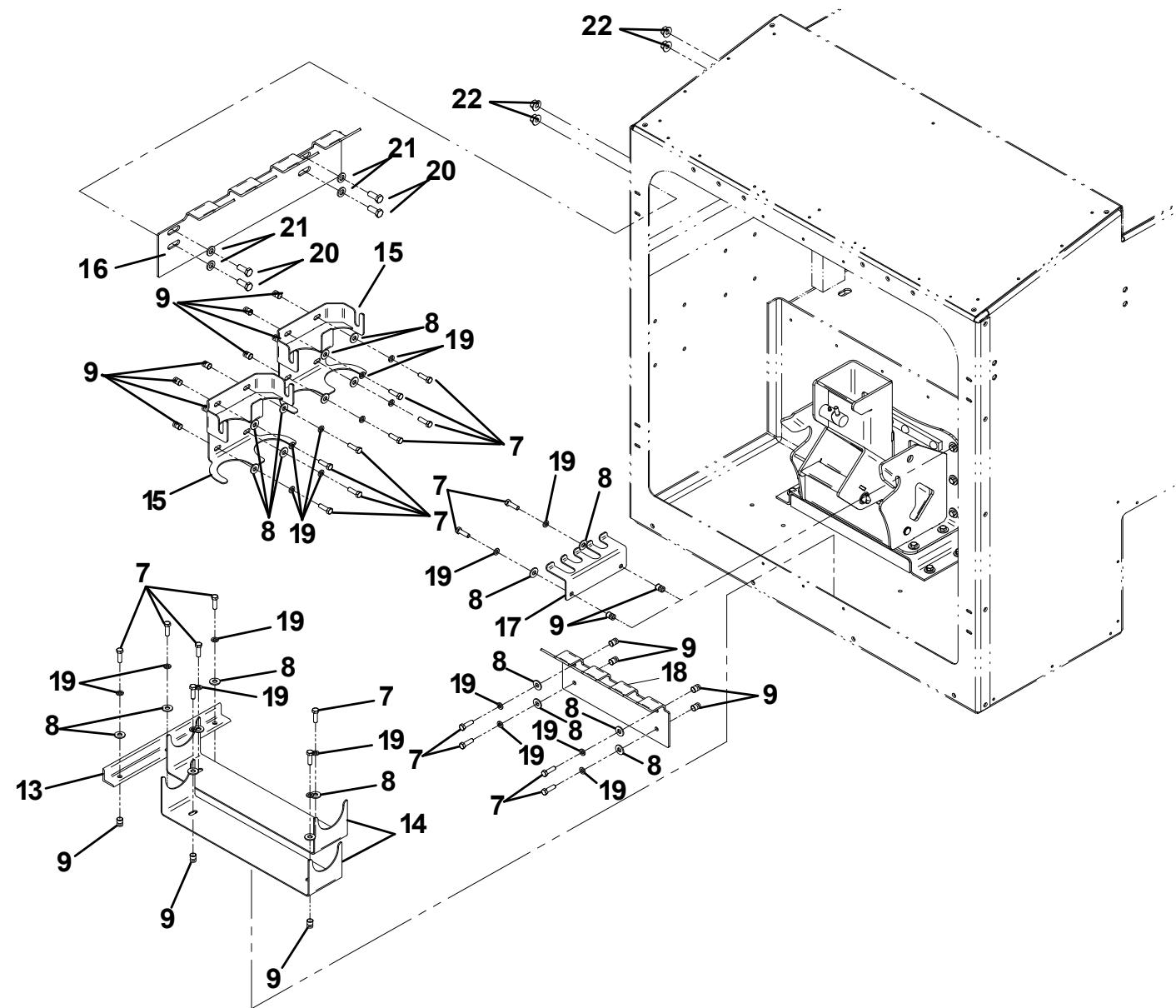
25K TIRE LIFT STORAGE BRACKETS FOR 49" TUNNEL TOOL COMPARTMENT

ITEM	PART NO.	DESCRIPTION	QTY
1	3178000460	Bracket Assembly	1
2	4178000660	Bracket	1
3	4017001493	Angle	1
4	7114140850	Capscrew, 0.25"-20NC x 1.00"	2
5	7950140163	Flatwasher, 0.25" ID	2
6	7413000002	Nutsert, 0.25"-20NC	2
7	7114161050	Capscrew, 0.38"-16NC x 1.25"	29
8	7950140163	Flatwasher, 0.38" ID	45
9	7413000003	Nutsert, 0.38"-16NC	25
10	7660162604	Locknut, 0.38"-16NC	10
11	7115161250	Capscrew, 0.38"-16NC x 1.50"	6
12	4062000615	Bar	2
13	4017001549	Angle	1
14	4178000715	Bracket	2
15	3178000513	Bracket, Weldment	1
16	4178000761	Bracket	1
17	4178000678	Bracket	1
18	4178000720	Bracket	1
19	7950160000	Lockwasher, 0.38" ID	25
20	7115181050	Capscrew, 0.50"-13NC x 1.25"	4
21	7950180153	Flatwasher, 0.50" ID	1
22	7660182301	Locknut, 0.50"-13NC	4

25K TIRE LIFT STORAGE BRACKETS FOR 49" TUNNEL TOOL COMPARTMENT



25K TIRE LIFT STORAGE BRACKETS FOR 49" TUNNEL TOOL COMPARTMENT

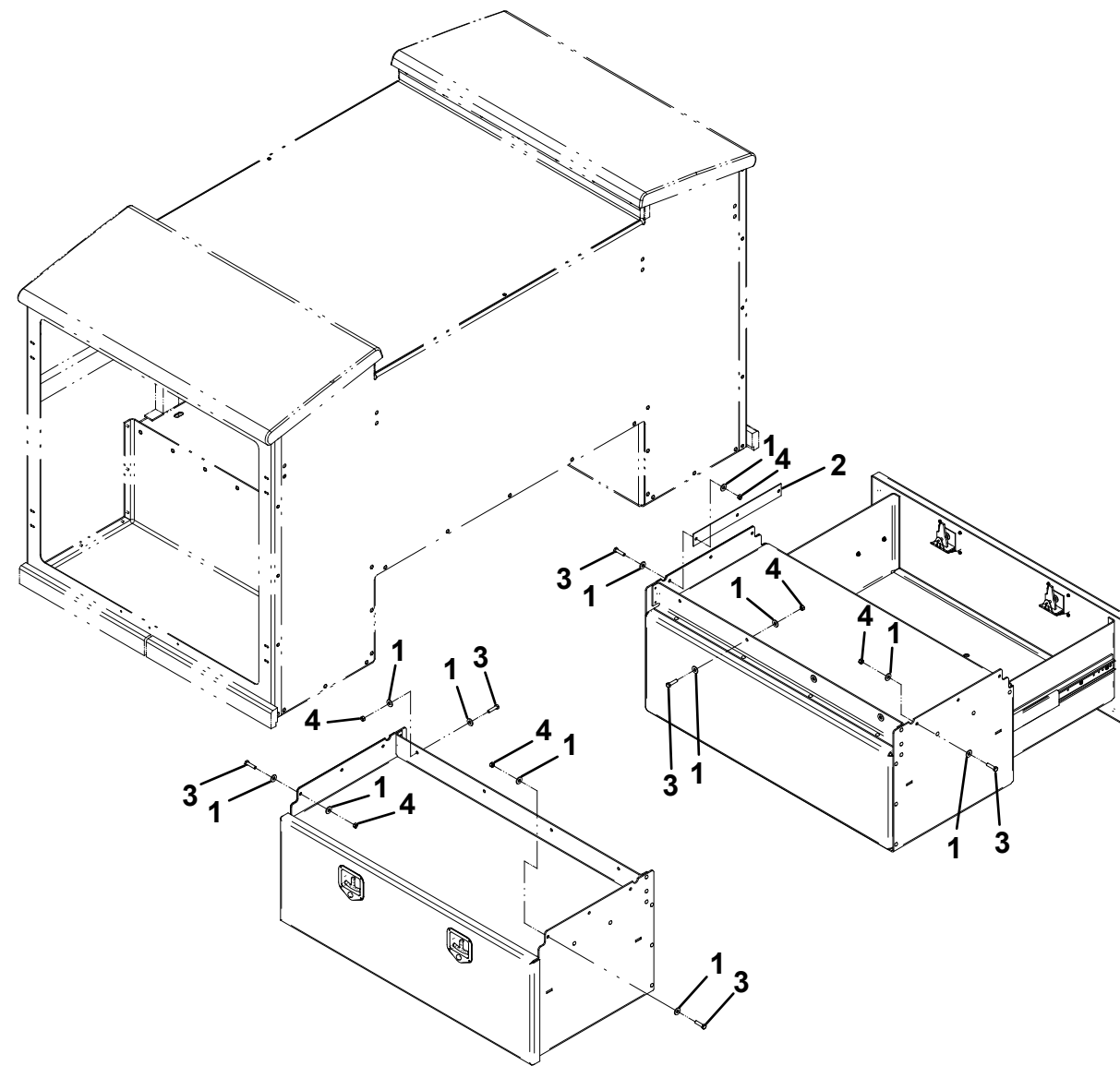


THIS PAGE INTENTIONALLY LEFT BLANK

UNDER TOOL COMPARTMENT DRAWER INSTALLATION

ITEM	PART NO.	DESCRIPTION	QTY
1	7950160163	Flatwasher, 0.38" ID	44
2	4812000120	Shim	2
3	7114161250	Capscrew, 0.38"-12NC x 1.00"	22
4	7660162604	Locknut, 0.38"-12NC	22

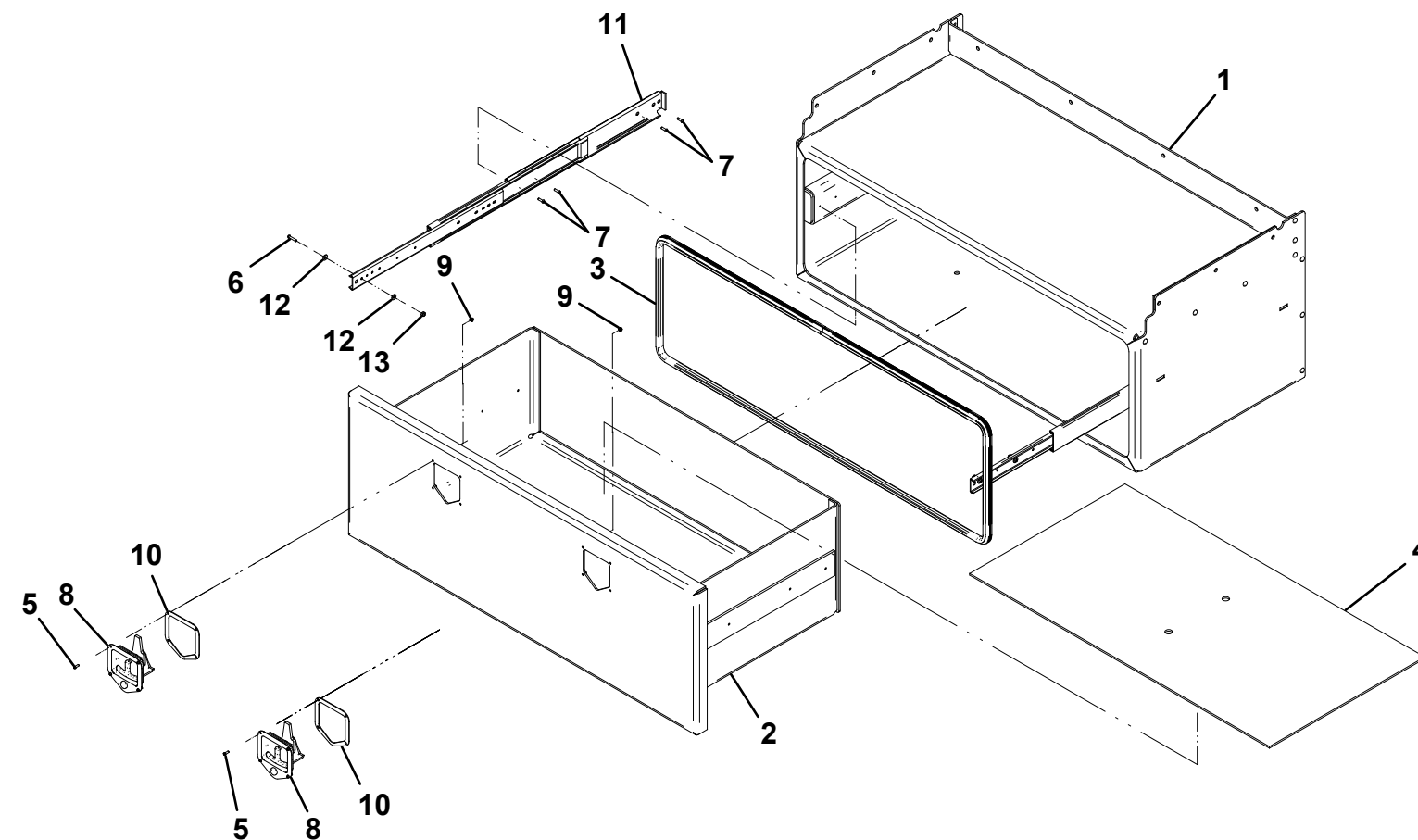
UNDER TOOL COMPARTMENT DRAWER INSTALLATION



UNDER TOOL COMPARTMENT DRAWER ASSEMBLY

ITEM	PART NO.	DESCRIPTION	QTY
1	3899000160	Drawer Enclosure Bondment	2
2	3899000161	Drawer Bondment	2
3	7796000099	Seal	20ft
4	4679000320	Pad, Rubber	2
5	7114080418	Capscrew, #8-32NC x 0.50"	16
6	7114100818	Capscrew, #10-24NC x 1.00"	16
7	7114100518	Capscrew, #10-24NC x 0.63"	16
8	7585000012	Latch, T-Handle	4
9	7660082604	Locknut, #8-32NC	16
10	7796000084	Gasket	4
11	7821000003	Slide	4
12	7950100103	Flatwasher, 0.19" ID	32
13	7660102604	Locknut, #10-24NC	16

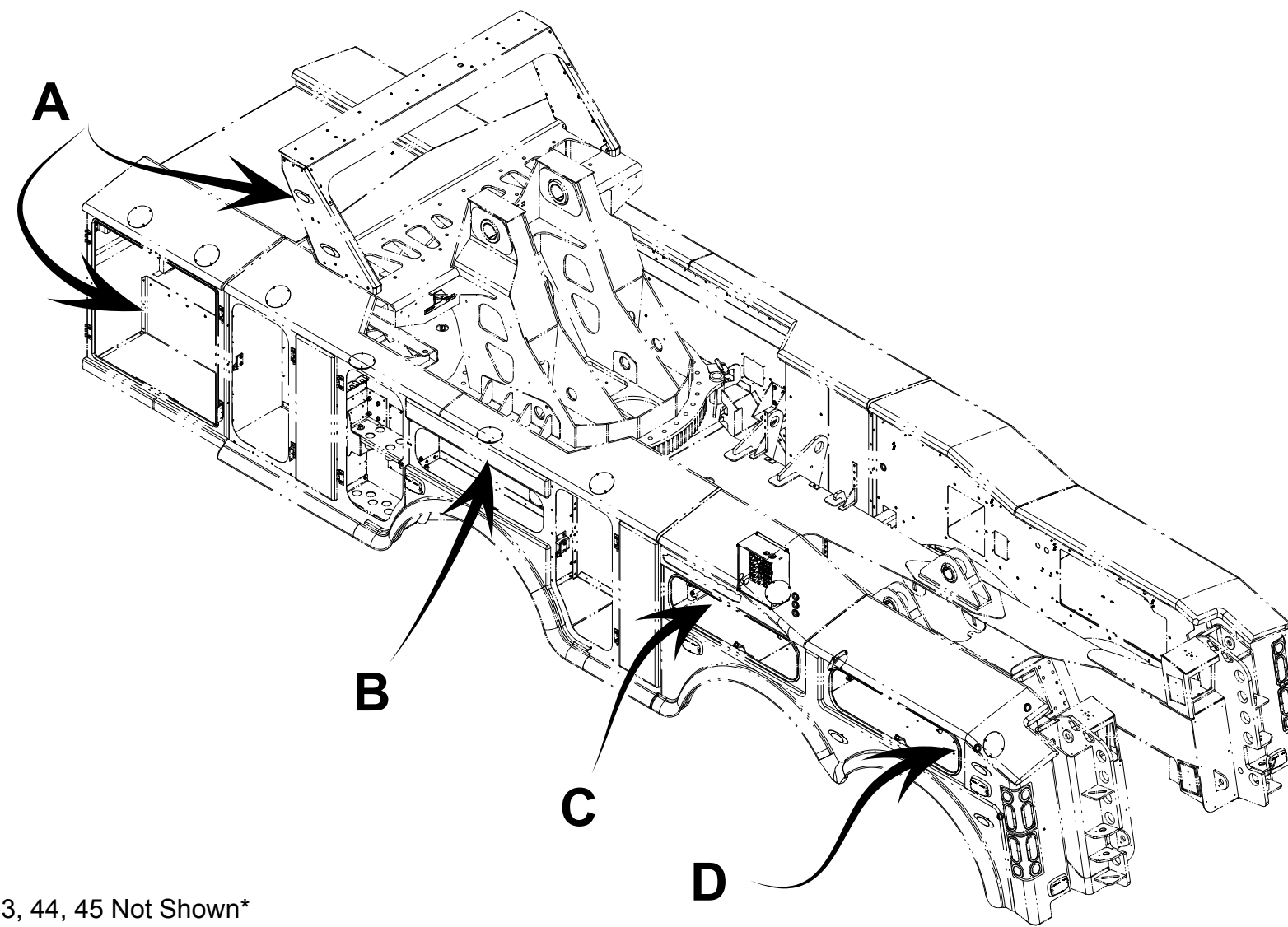
UNDER TOOL COMPARTMENT DRAWER ASSEMBLY



BODY LIGHTING & WIRING INSTALLATION

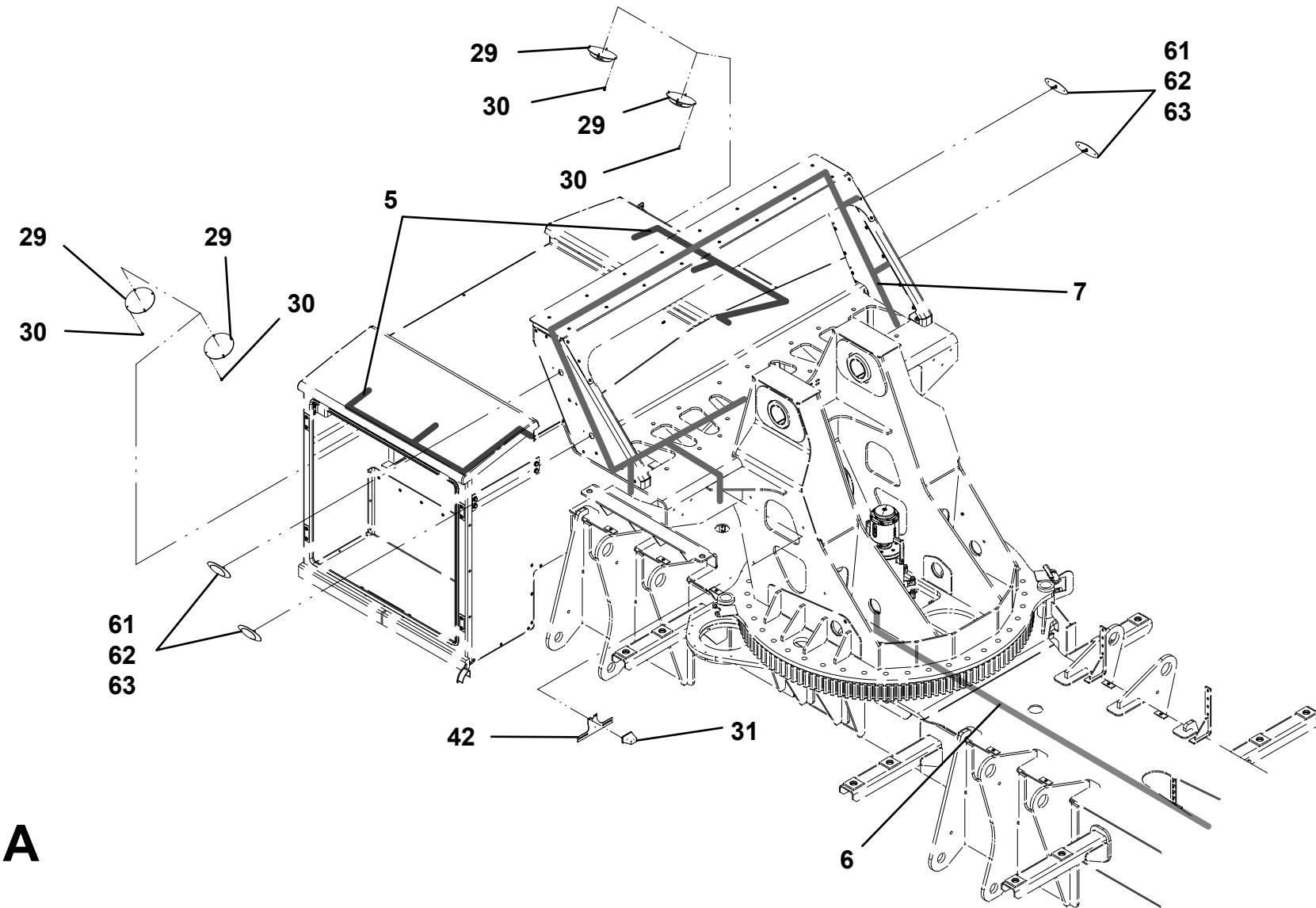
ITEM	PART NO.	DESCRIPTION	QTY	ITEM	PART NO.	DESCRIPTION	QTY
1	1001137102	Harness, LH Body	1	40	7661000023	Locknut, #10-32NF	16
2	1001142829	Harness, RH Body	1	41	7346000039	Tube	2
3	7552000354	Harness, LH Mid Body	1	42	7178000025	Bracket	1
4	7552000349	Harness, RH Mid Body	1	43	7894000042	Tie Strap	50
5	7552000355	Harness, Tunnel	2	44	7894000031	Cable Tie	25
6	1001144150	Harness, Swivel to Panel	1	45	7894000010	Tie Strap	25
7	1001150426	Harness, Headboard	1	46	1001143276	Harness, LH Mid Body Markers	1
8	1001144017	Harness, Battery to Dist. Panel	1	47	1001143289	Harness, RH Mid Body Markers	1
9	7978000011	Cable	30ft	48	1001143286	Harness, Body Flashers Mid Body	2
10	8597650001	Loom	30ft	49	1001143287	Harness, RH Rear Body Flashers	1
11	7870000043	Switch Breaker, 150 Amp	1	50	1001143288	Harness, LH Rear Body Flashers	1
12	7115140650	Capscrew, 0.25"-20NC x 0.75"	6	51	7870000143	Switch	2
13	7950140141	Flatwasher, 0.25" ID	6	52	1001134451	Decal	2
14	7660142601	Locknut, 0.25"-20NC	6	53	7590000284	Light	6
15	7345222202	Terminal	2	54	7590000317	Light	2
16	7346000045	Tubing	0.25ft	55	7590000304	Light	8
17	7345242202	Terminal	1	56	7493000026	Grommet	8
18	7345232202	Terminal	1	57	7740000008	Relay	1
19	7115150650	Capscrew, 0.31"-18NC x 0.75"	1	58	1001144012	Harness, Relay To Power Panel	2
20	7950150000	Flatwasher, 0.31" ID	1	59	7114100618	Capscrew, #10-24NC x 0.75"	1
21	7950150161	Flatwasher, 0.31" ID	1	60	7660102601	Nut, #10-24NC	1
22	7493000014	Grommet	10	61	7590000262	Light	14
23	7493000011	Grommet	2	62	7114080418	Capscrew, #8-32NC x 0.50"	8
24	1001143543	Junction Box, Electrical	1	63	7660082604	Locknut, #8-32NC	8
25	7120000033	Screw, #10-32NF	4	64	1001143284	Light	8
26	7115101411	Screw, #10-24NC x 1.75"	4	65	7590000282	Light	4
27	7661000002	Locknut, #10-24NC	12	66	7790100856	Screw, #10 x 0.50"	28
28	7870000123	Power Panel Distribution	1				
29	7590000094	Light	18				
30	7790100856	Screw, #10 x 0.50"	72				
31	7590000105	Light, License Plate	1				
32	7740000001	Relay, 40 Amp	13				
33	7457000023	Fuse, 20 Amp	3				
34	7457000019	Fuse, 5 Amp	13				
35	7457000011	Fuse, 10 Amp	4				
36	7457000006	Fuse, 15 Amp	1				
37	7457000012	Fuse, 20 Amp	3				
38	7120000035	Capscrew, 0.31"-18NC x 0.50"	1				
39	7949000053	Washer, 0.31" ID	1				

BODY LIGHTING & WIRING INSTALLATION



Items 43, 44, 45 Not Shown

BODY LIGHTING & WIRING INSTALLATION



BODY LIGHTING & WIRING INSTALLATION

CAVITY	CIRCUIT	COLOR	FUNCTION	GA
1	1	ORANGE	BEACON 1	12
2	2	ORANGE/BLACK	BEACON 2	12
3	17	RED	BEACON AUX 1	12
4	3	BLUE	FLOOD 2	12

CAVITY	SWIVEL CIRCUIT	SWIVEL COLOR	FUNCTION	GAUGE
1	8	GREEN/BLACK	BEACON 1	12
2	9	VIOLET	BEACON 2	12
3	10	RED/BLACK	BEACON AUX 1	12
4	11	BLUE/BLACK	FLOOD 2	12

CAVITY	CIRCUIT	COLOR	GA	FUNCTION
1	22	WHITE	10	GROUND LIGHT BAR
2	31	WHITE	10	GRND BEACON AUX 1

FROM TOP OF SWIVEL

CAVITY	SWIVEL CIRCUIT	SWIVEL COLOR	GA	FUNCTION
1	1	GREEN	10	GROUND LIGHT BAR
2	16	GREEN/BROWN	12	GROUND WING LIGHTS

CAVITY	CIRCUIT	COLOR	FUNCTION	GA
1	30	WHITE	GRND WORK LIGHTS	12
2	12	GREEN	RH S/T	16
3	13	YELLOW	LH S/T	16
4	14	BROWN	MARKER	16

CAVITY	SWIVEL CIRCUIT	SWIVEL COLOR	FUNCTION	GAUGE
1	17	BROWN	GRND FLOOD 2	12
2	18	GREEN/WHITE	RH S/T	14
3	19	WHITE/GREEN	LH S/T	14
4	20	BLACK/WHITE	MARKER	14

CAVITY	SWIVEL CIRCUIT	SWIVEL COLOR	FUNCTION	GAUGE
1	8	GREEN/BLACK	BEACON 1	12
2	9	VIOLET	BEACON 2	12
3	10	RED/BLACK	BEACON AUX 1	12
4	11	BLUE/BLACK	FLOOD 2	12

CAVITY	CIRCUIT	COLOR	FUNCTION	GA
1	1	ORANGE	BEACON 1	12
2	2	ORANGE/BLACK	BEACON 2	12
3	17	RED	BEACON AUX 1	12
4	3	BLUE	FLOOD 2	12

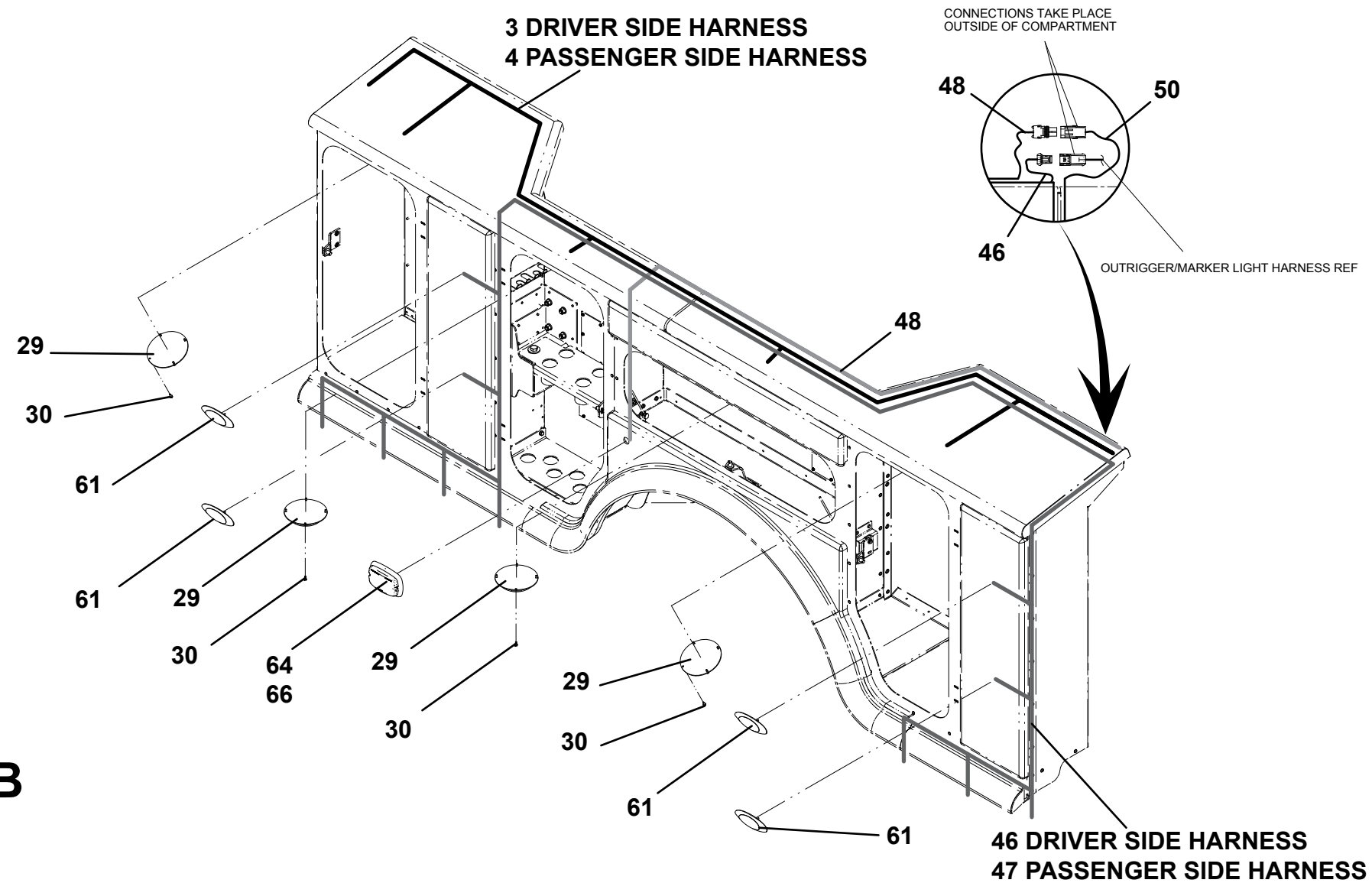
FROM BOTTOM OF SWIVEL

CAVITY	SWIVEL CIRCUIT	SWIVEL COLOR	FUNCTION	GAUGE
1	12	YELLOW/BLACK	AUX 1 BOOM LIGHT	12
2	18	GREEN/WHITE	RH S/T	14
3	19	WHITE/GREEN	LH S/T	14
4	20	BLACK/WHITE	MARKER	14

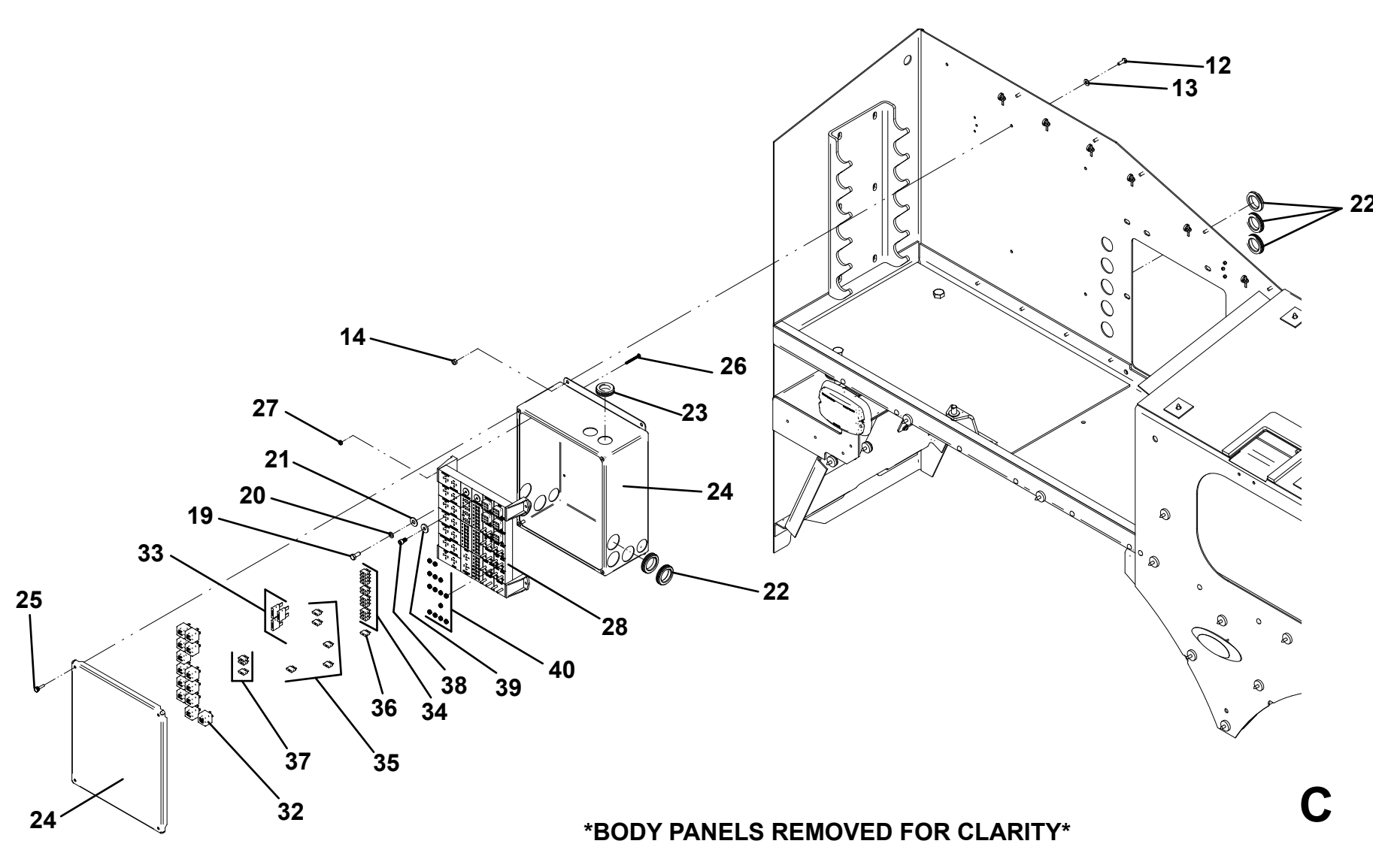
CAVITY	CIRCUIT	COLOR	FUNCTION	GA
1	8	RED/WHITE	AUX 1 BOOM LIGHT	12
2	12	GREEN	RH S/T	16
3	13	YELLOW	LH S/T	16
4	14	BROWN	MARKER	16

A

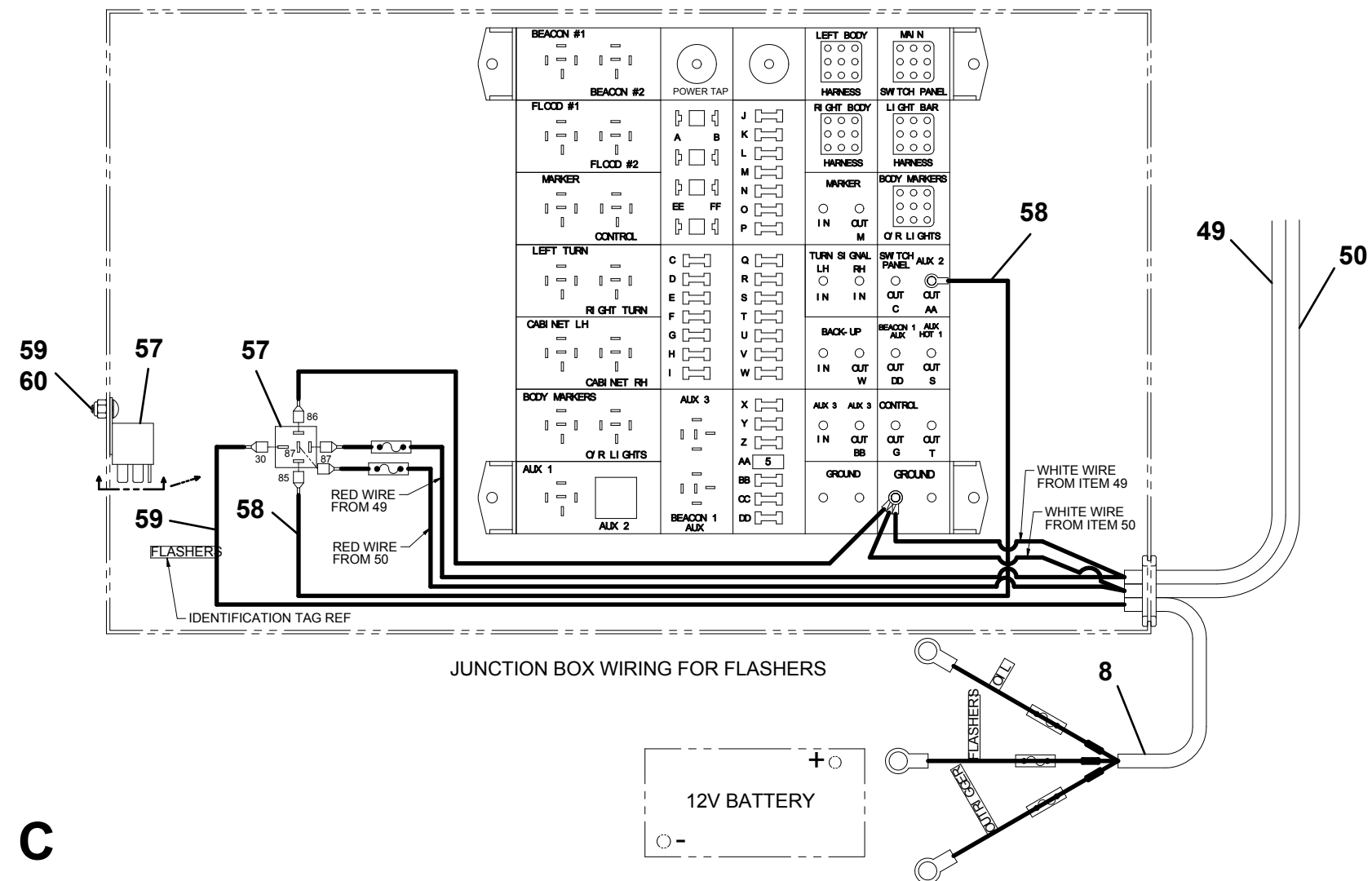
BODY LIGHTING & WIRING INSTALLATION



BODY LIGHTING & WIRING INSTALLATION

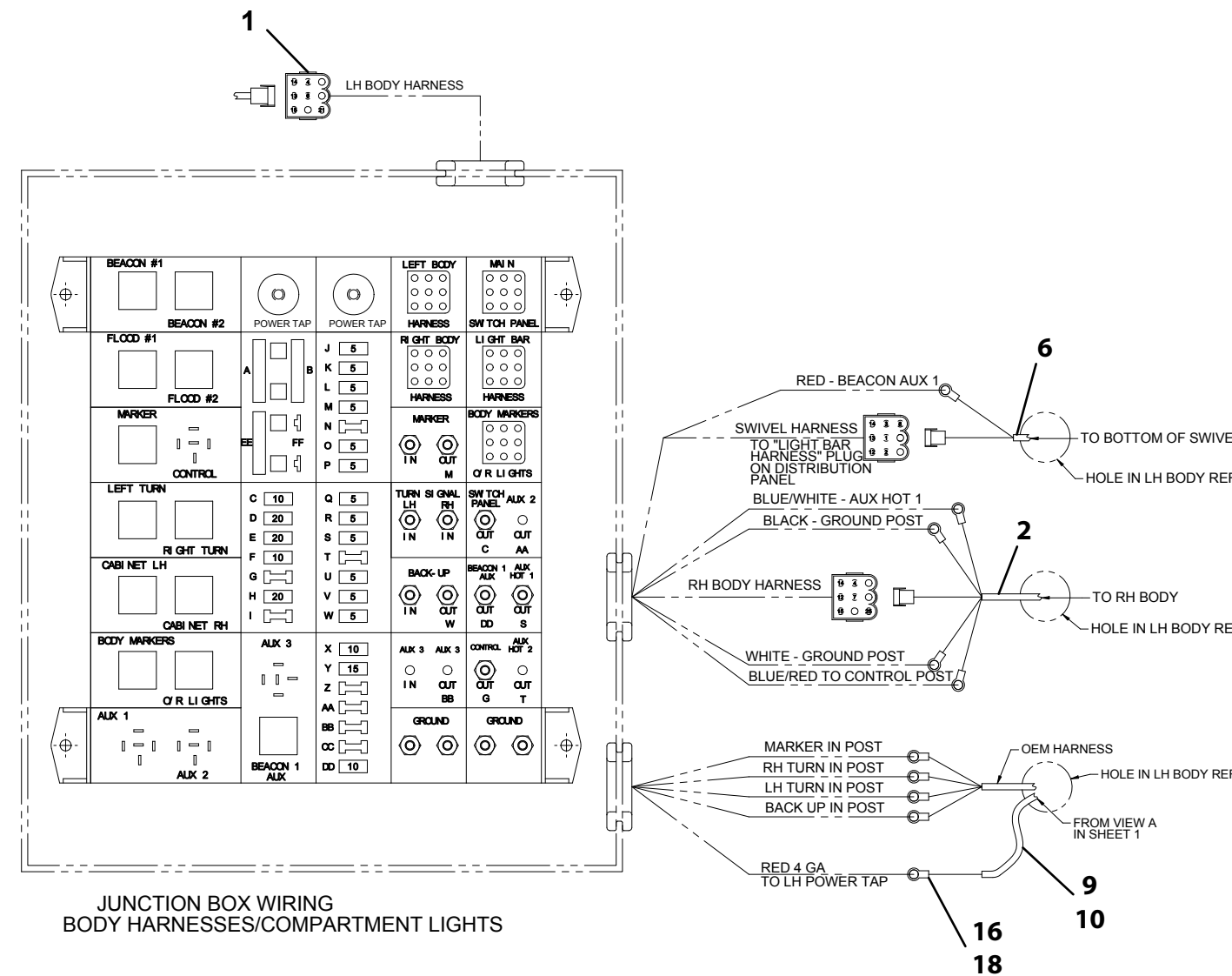


BODY LIGHTING & WIRING INSTALLATION



C

BODY LIGHTING & WIRING INSTALLATION



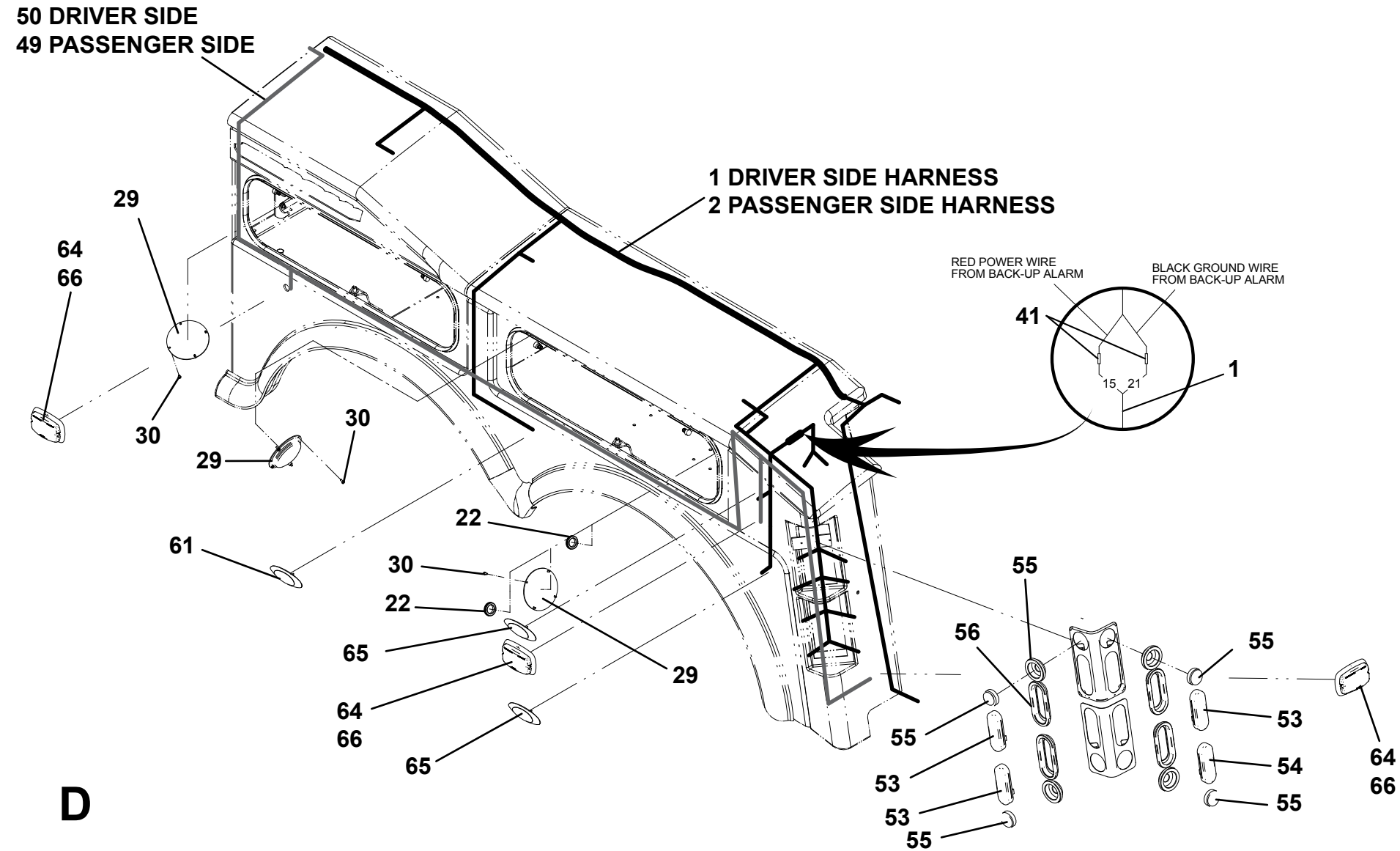
SWIVEL TO PANEL HARNESS		
CIRCUIT ID	COLOR	FUNCTION
17	RED	BEACON AUX 1

RH BODY HARNESS		
CIRCUIT ID	COLOR	FUNCTION
28	WHITE	GROUND FLOOD 2
26	BLUE/RED	WIRELESS FUNCTION
23	BLACK	GROUND CHASSIS
5	BLUE/WHITE	CONTROL

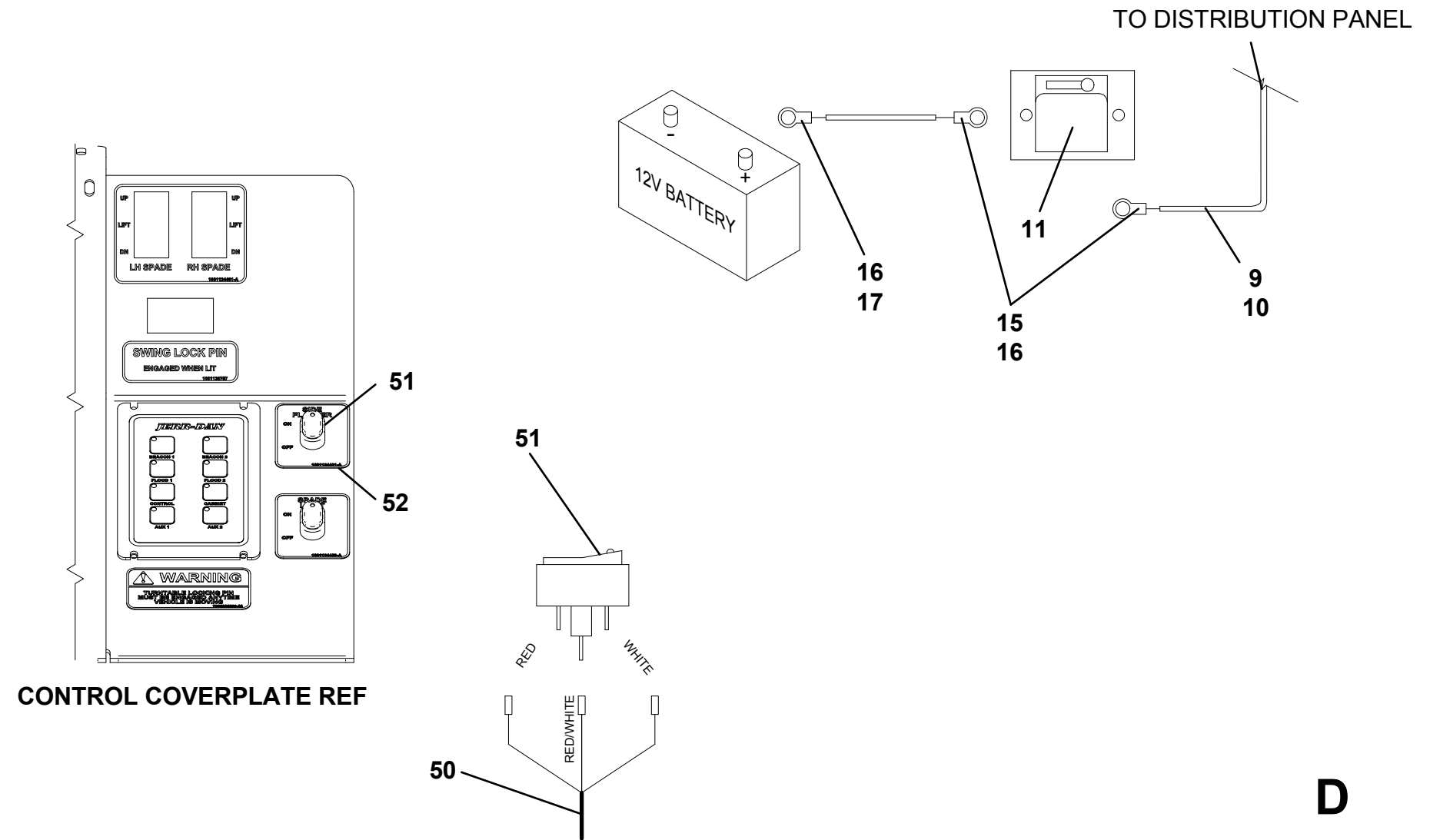
OEM HARNESS		
CIRCUIT ID	COLOR	FUNCTION
14	BROWN OR BLACK	MARKER
12	GREEN	RH TURN
13	YELLOW	LH TURN
15	BLACK OR BROWN	BACK UP

C

BODY LIGHTING & WIRING INSTALLATION

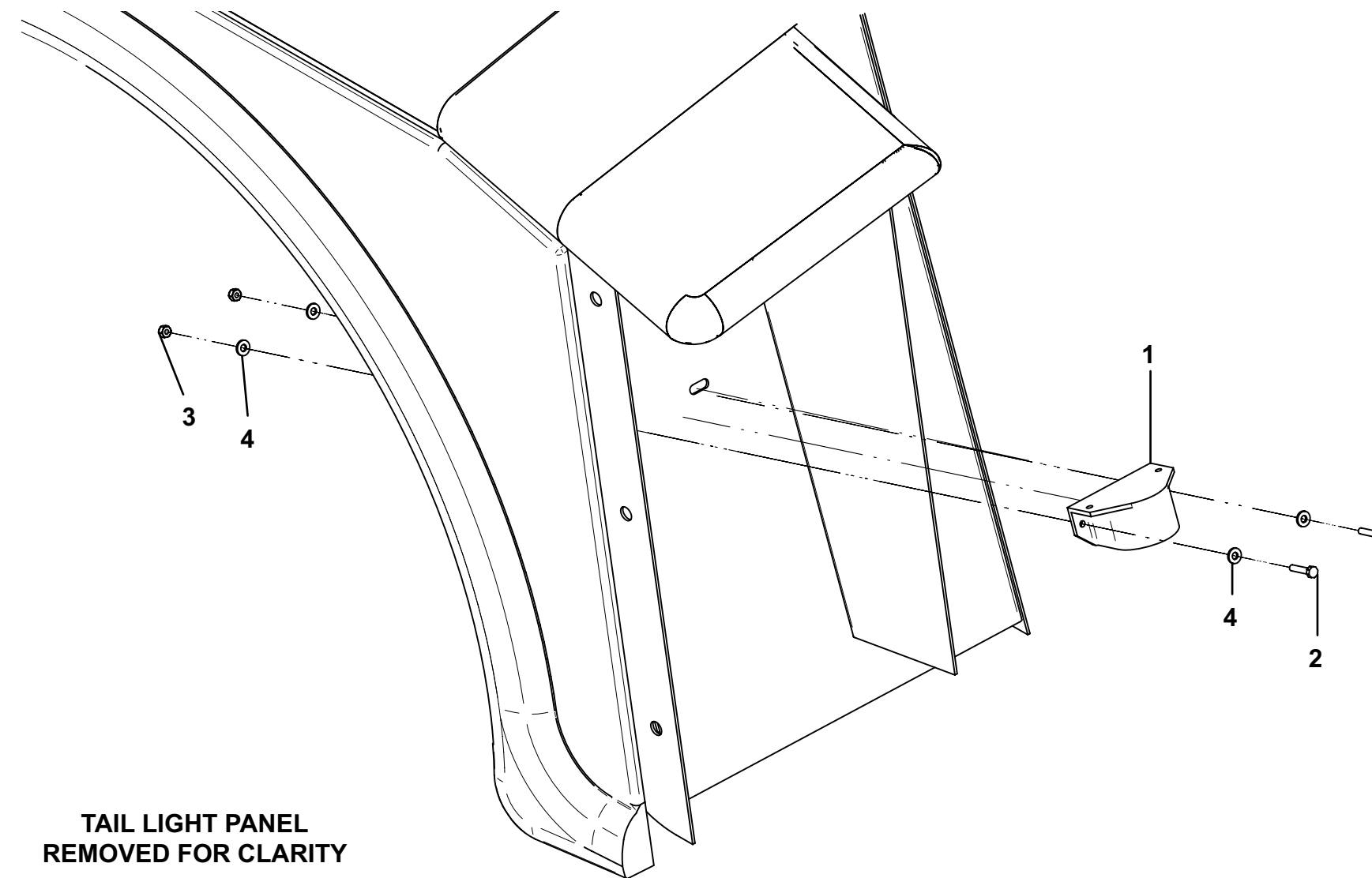


BODY LIGHTING & WIRING INSTALLATION



BACK-UP ALARM INSTALLATION

ITEM	PART NO.	DESCRIPTION	QTY
1	7011000007	Alarm, Backup	1
2	1001141265	Screw, #14 x 0.75"	2
3	7660142600	Locknut, 0.25" - 20NC	2
4	7950140141	Flatwasher, 0.25" ID	4

BACK-UP ALARM INSTALLATION

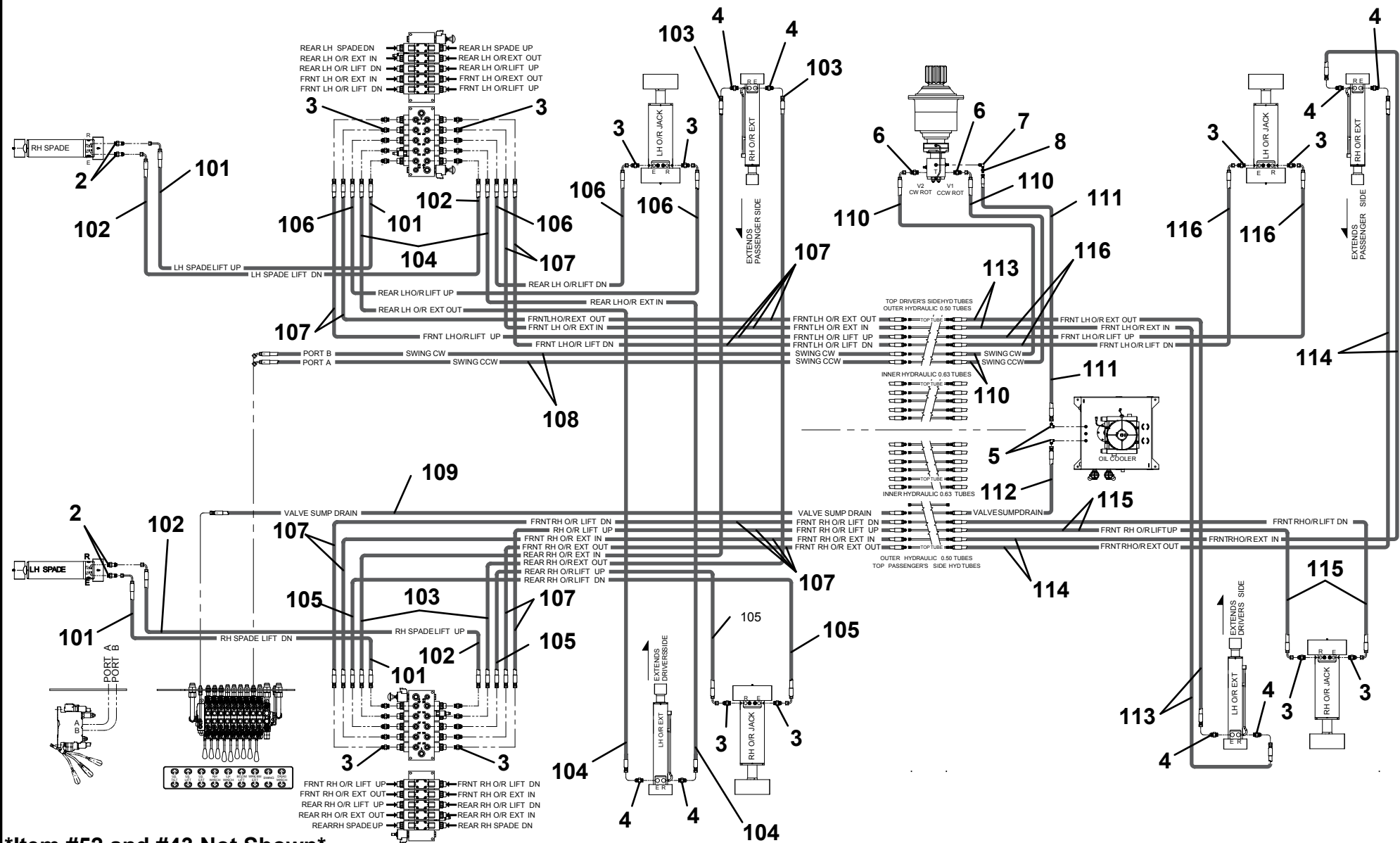
HYDRAULIC INSTALLATION

ITEM	PART NO.	DESCRIPTION	QTY	ITEM	PART NO.	DESCRIPTION	QTY
1	1001136811*	Hose Kit	1	40	7443000258	Fitting	2
2	7445080644	Fitting	4	41	1001130426	Hydraulic Tank Assembly	1
3	7445080843	Adapter	32	42	7445101018	Fitting	10
4	7445080643	Adapter	8	43	7443000173	Fitting	1
5	2220773	Adapter	2	44	7274000076	Clamp	8
6	7445081043	Adapter	2	45	7785152420	Set Screw, 0.31"-18NC x 1.50"	8
7	2220775	Adapter	1	46	7660152601	Locknut, 0.31"-18NC	22
8	7443000108	Restrictor	1	47	7115151050	Capscrew 0.31"-18NC X 1.25"	14
9	7445100843	Adapter	2	48	7950150161	Flatwasher 0.31" ID	14
10	7445081039	Adapter	2	49	4706003844	Plate	6
11	7445080837	Union	2	50	1001137048	Clamp	5
12	1001136881	Adapter	2	51	1001137049	Clamp	3
13	7470000004	Gauge, Panel Mount Pressure	2	52	7894000004	Tie Strap	50
14	7790060676	Screw, #6 x 0.38"	6	53	1001137052	Clamp	19
15	7445040421	Fitting	2	54	1001143937	Clamp	2
16	7445040425	Union	2	55	7470000002	Gauge	2
17	7443000408	Fitting	1			*Hose Kit - 1001136811*	
18	1001131302	Pipe, Tube 1.00" Pressure	1	101	1001136814	Hose Assembly	2
19	7445161622	Union	1	102	1001136817	Hose Assembly	2
20	7445161620	Elbow	2	103	4567130135	Hose Assembly	2
21	7430000004	Filter Assembly	2	104	1001136821	Hose Assembly	2
22	7443000158	Elbow	2	105	1001136824	Hose Assembly	2
23	7445161245	Elbow	1	106	4567132085	Hose Assembly	2
24	7445161243	Fitting	1	107	4569140046	Hose Assembly	8
25	1001130611	Pipe	1	108	1001136833	Hose Assembly	2
26	1001130610	Ball Valve	1	109	1001136836	Hose Assembly	1
27	1001130597	Hose Insert	1	110	1001136841	Hose Assembly	2
28	1001130587	T-bolt Clamp	2	111	4567120069	Hose Assembly	1
29	1001130607	Elbow	1	112	4570000361	Hose Assembly	1
30	1001130608	Flange	1	113	1001136843	Hose Assembly	2
31	4178000349	Bracket	1	114	1001136844	Hose Assembly	2
32	7660200200	Nut, 0.63"-11NC	2	115	1001136845	Hose Assembly	2
33	1001130609	Flange	1	116	1001136846	Hose Assembly	2
34	1001130589	Elbow	1	117	1001136851	Hose Assembly	8
35	7445060643	Adapter	1	118	4569160030	Hose Assembly	8
36	7445101043	Adapter	2	119	4567150016	Hose Assembly	2
37	7445060648	Fitting	1	120	1001136861	Hose Assembly	2
38	2221051	Fitting	2	121	1001136876	Hose Assembly	4
39	7445161637	Fitting	2	122	1001136883	Hose Assembly	2

HYDRAULIC INSTALLATION

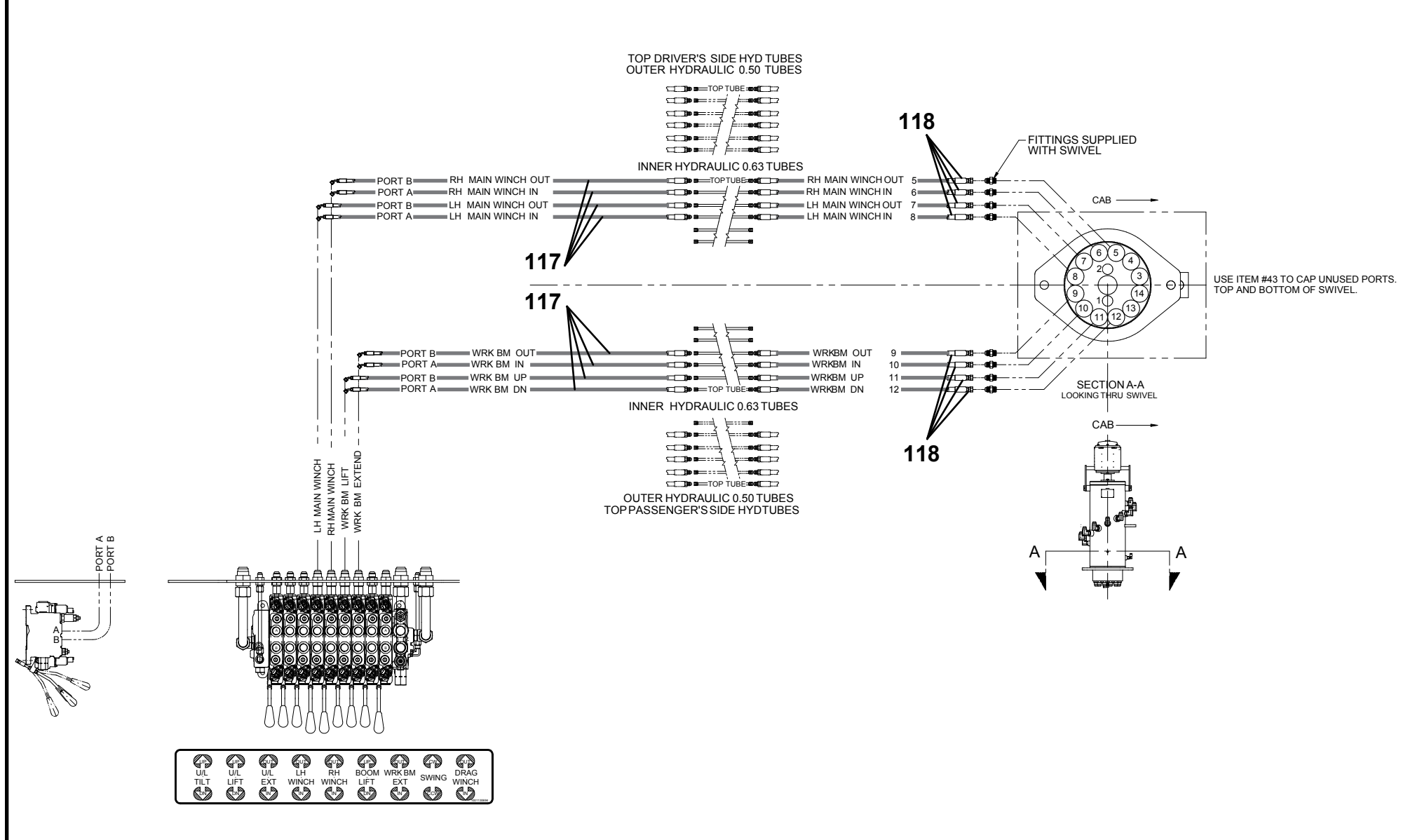
ITEM	PART NO.	DESCRIPTION	QTY	ITEM	PART NO.	DESCRIPTION	QTY
123	1001136884	Hose Assembly	4	701	1001164055	Hose Assembly	4
124	4567112024	Hose Assembly	2	702	4569160030	Hose Assembly	4
125	4567112038	Hose Assembly	1	703	1001163364	Hose Assembly	4
126	4567110065	Hose Assembly	1	704	1001166373	Hose Assembly	4
127	4567122064	Hose Assembly	1	705	7445080845	Adapter	4
128	4567120071	Hose Assembly	1				
129	1001136891	Hose Assembly	4				
130	1001136893	Hose Assembly	1				
131	7565000016	Tubing, Airline	1.5ft				
132	1001136957	Hose Assembly	1				
133	1001136958	Hose Assembly	1				
134	1001136960	Hose Assembly	1				
135	4569180044	Hose Assembly	1				
136	4567182031	Hose Assembly	1				
		UL530/565 Hydraulic Installation					
201	7445060643	Adapter	8				
202	4570000167	Hose Assembly	4				
203	4619000006	Manifold	1				
204	7115161650	Capscrew, 0.38" - 16NC x 2.00"	2				
205	7950160000	Lockwasher, 0.38" ID	2				
206	4567120022	Hose Assembly	2				
		DP 50 Winch Hydraulic Installation					
301	1001136772	Hose Assembly	2				
302	1001136792	Hose Assembly	2				
303	7445101045	Elbow	2				
304	7445101043	Adapter	2				
		DP 35 Winch Hydraulic Installation					
401	7445100845	Elbow	1				
402	1001136761	Hose Assembly	2				
403	7445100843	Adapter	1				
404	2220973	Adapter	1				
		Supply/Pressure Hose Installation					
501	1001136896	Hose Assembly	1				
502	1001136939	Hose Assembly	9.5ft				
		UL300/ 350 Hydraulic Installation					
601	7445060643	Adapter	4				
602	4570000218	Hose Assembly	2				
603	1001136807	Hose Assembly	2				

HYDRAULIC INSTALLATION

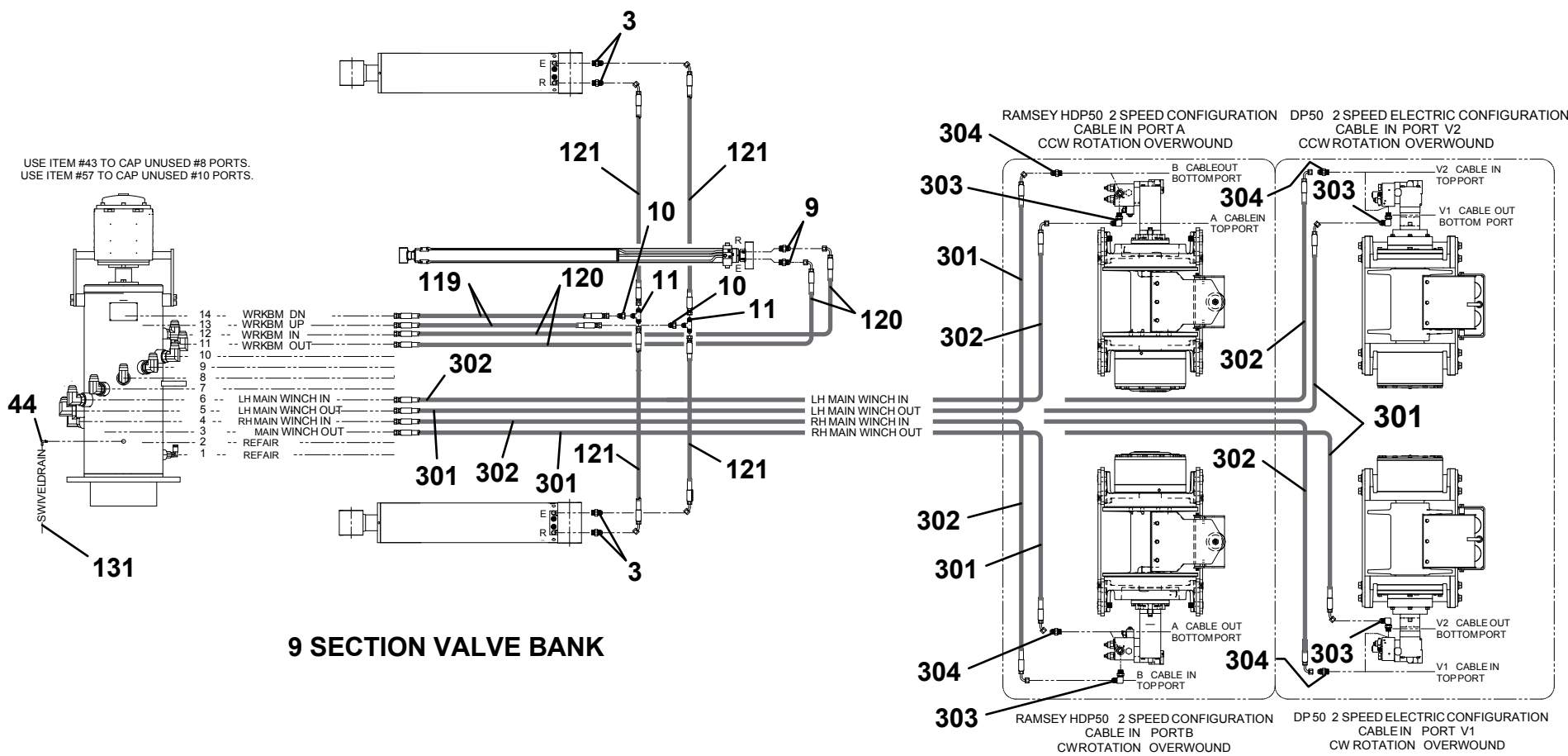


Item #52 and #43 Not Shown

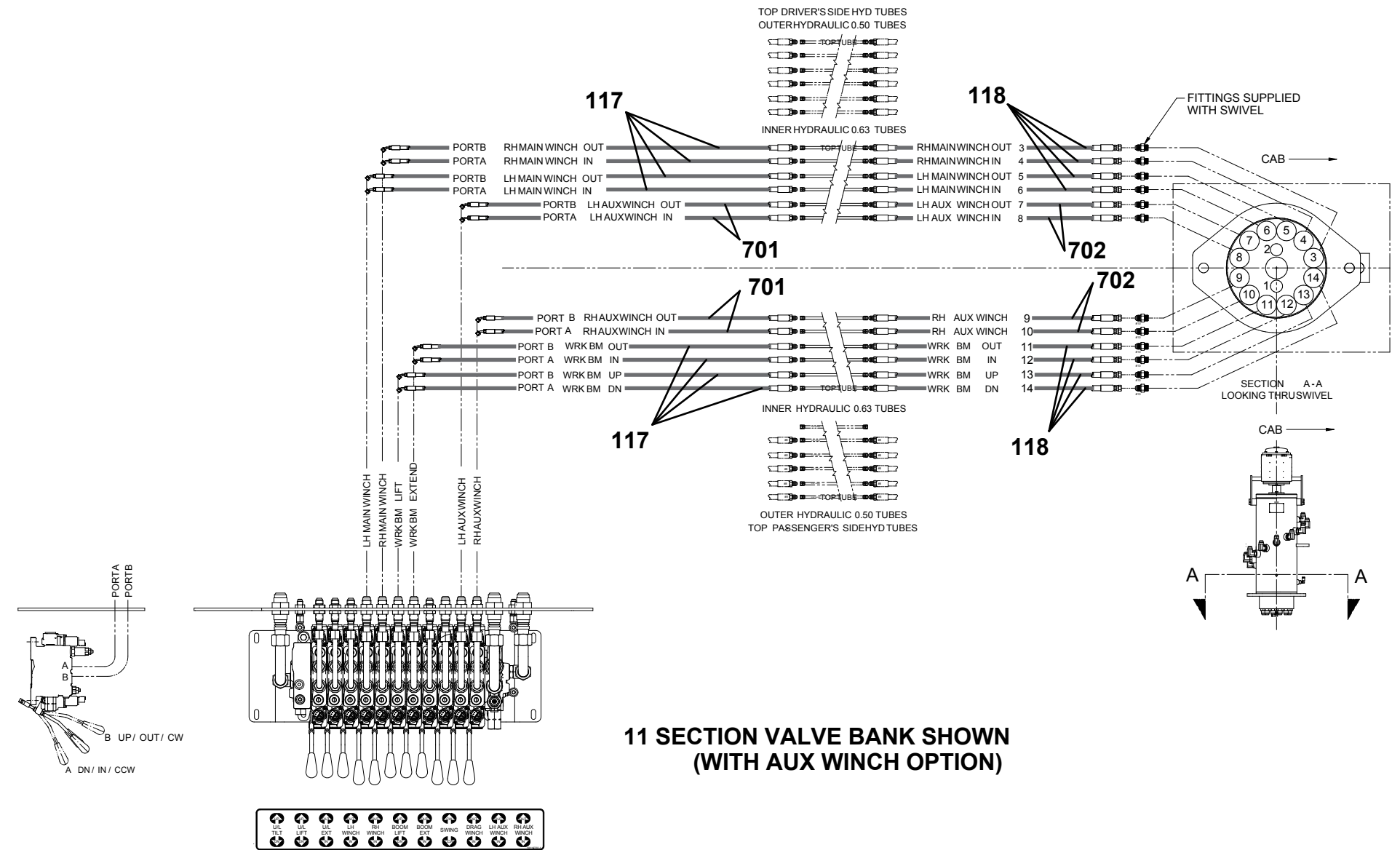
HYDRAULIC INSTALLATION



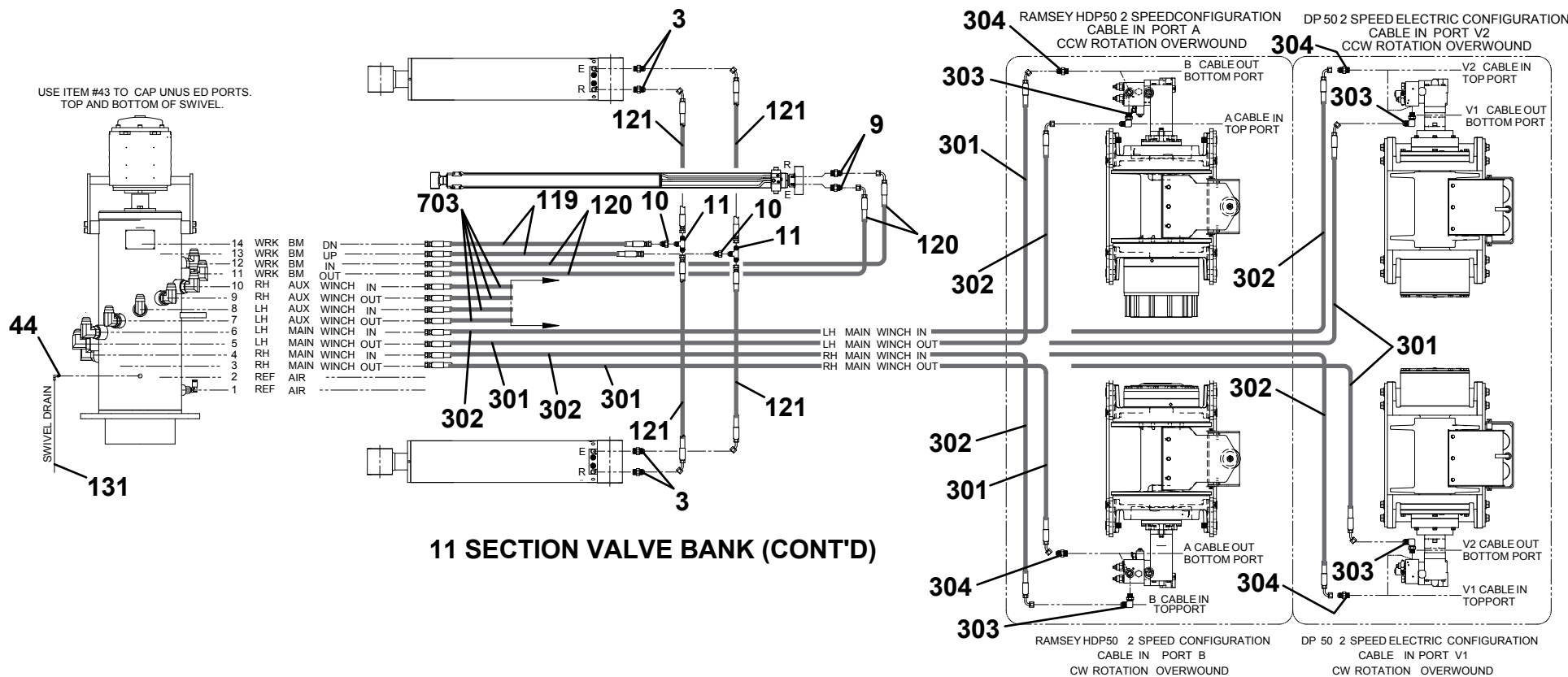
HYDRAULIC INSTALLATION



HYDRAULIC INSTALLATION

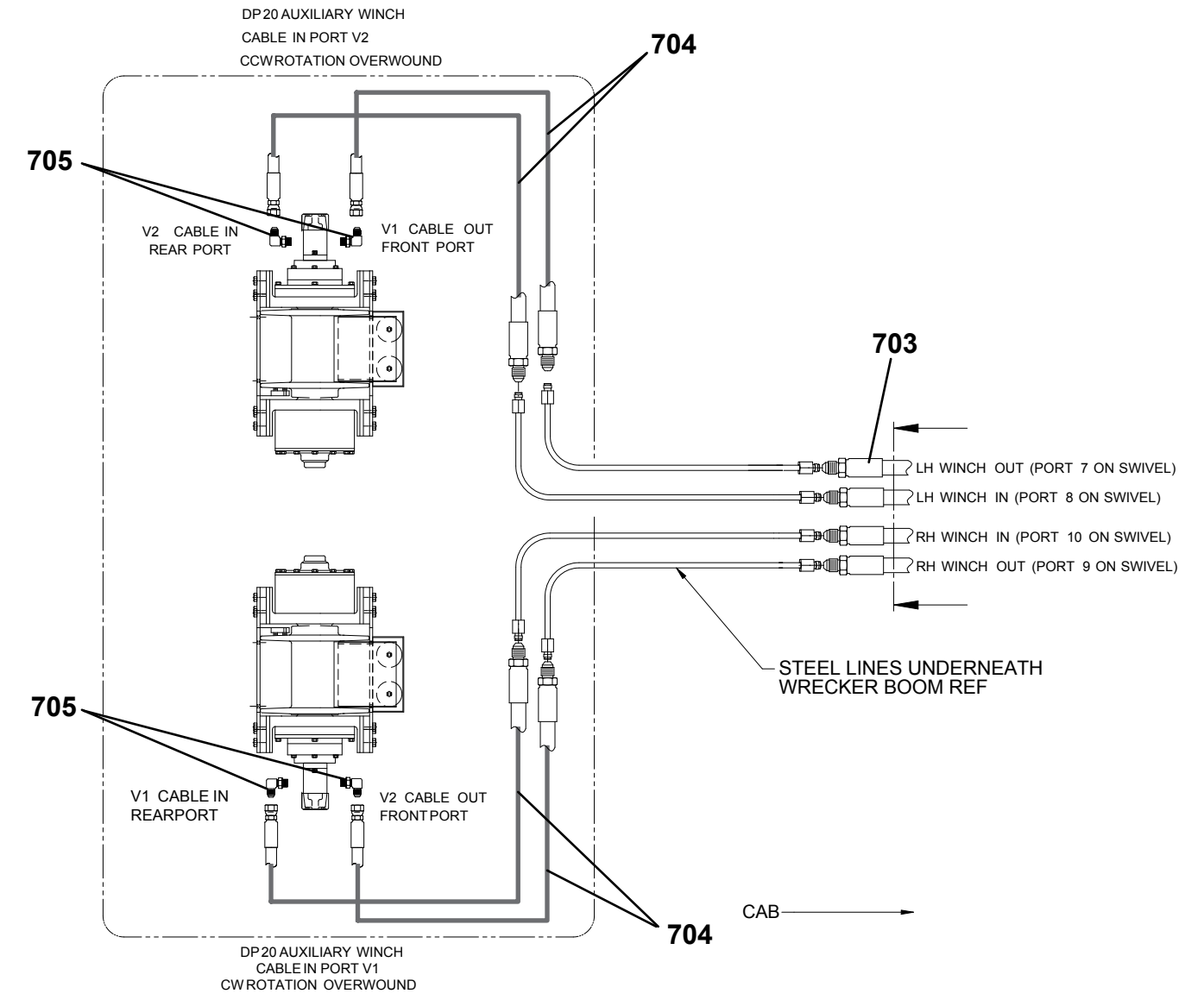


HYDRAULIC INSTALLATION

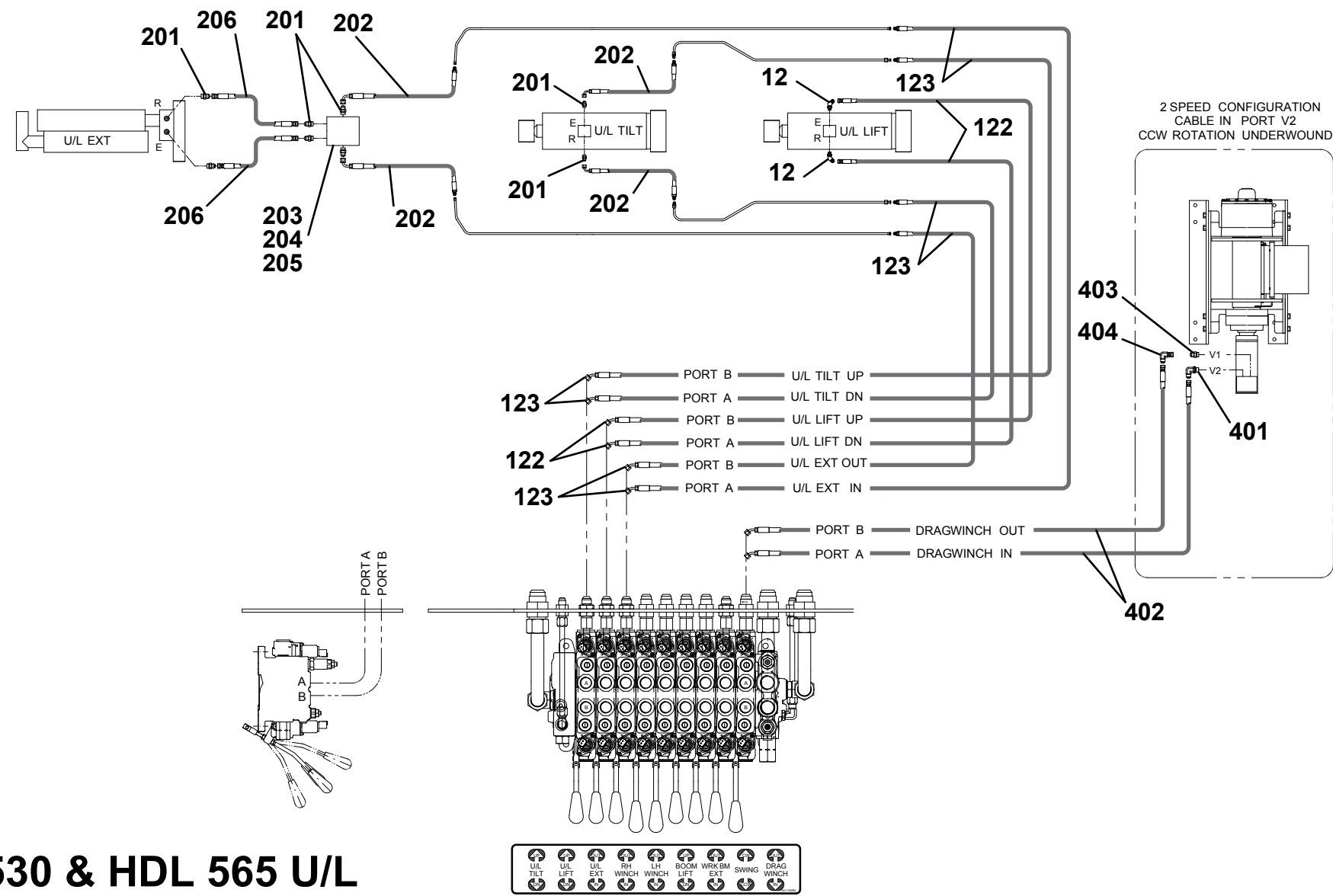


11 SECTION VALVE BANK (CONT'D)

HYDRAULIC INSTALLATION

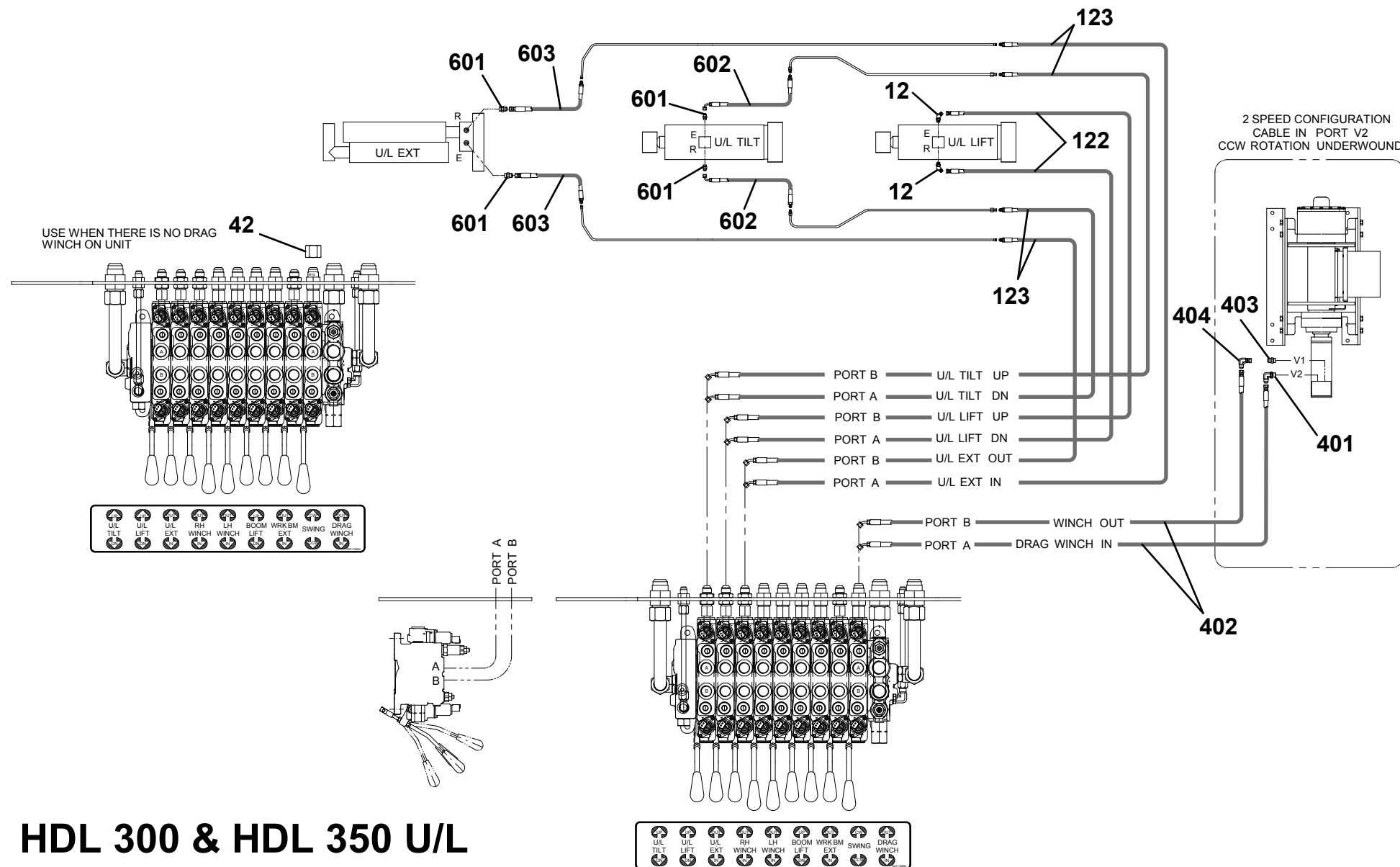


HYDRAULIC INSTALLATION



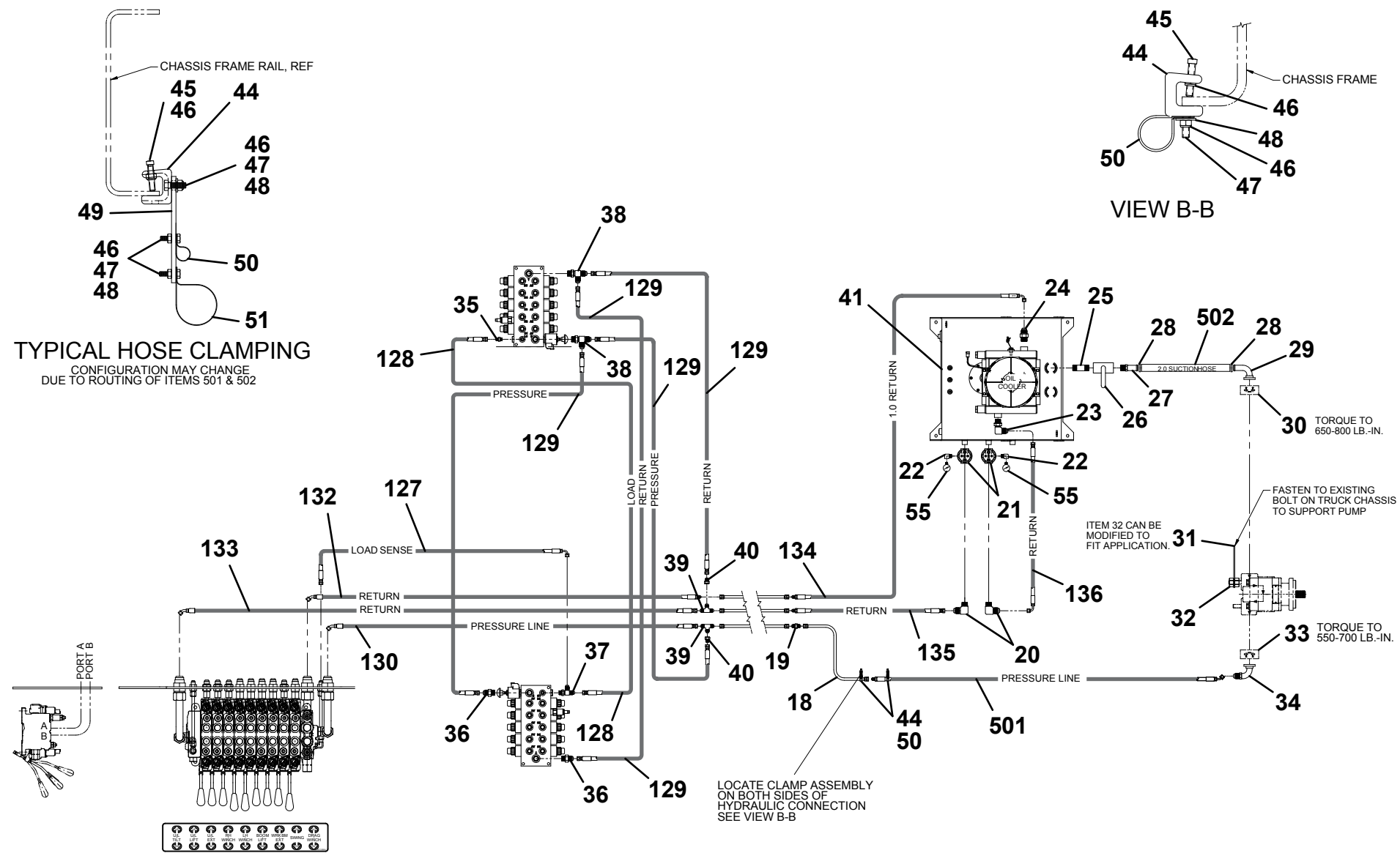
HDL 530 & HDL 565 U/L

HYDRAULIC INSTALLATION

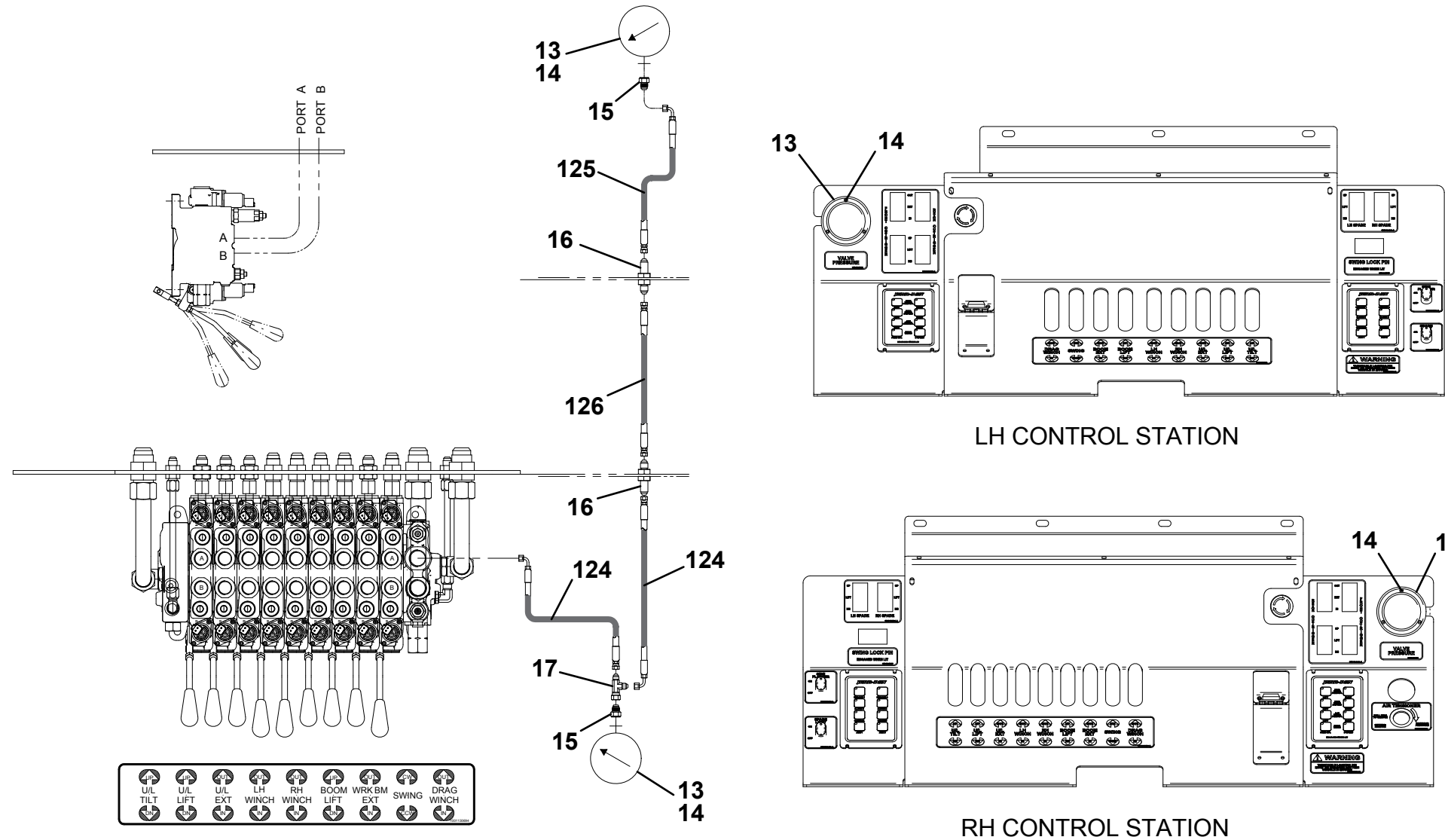


HDL 300 & HDL 350 U/L

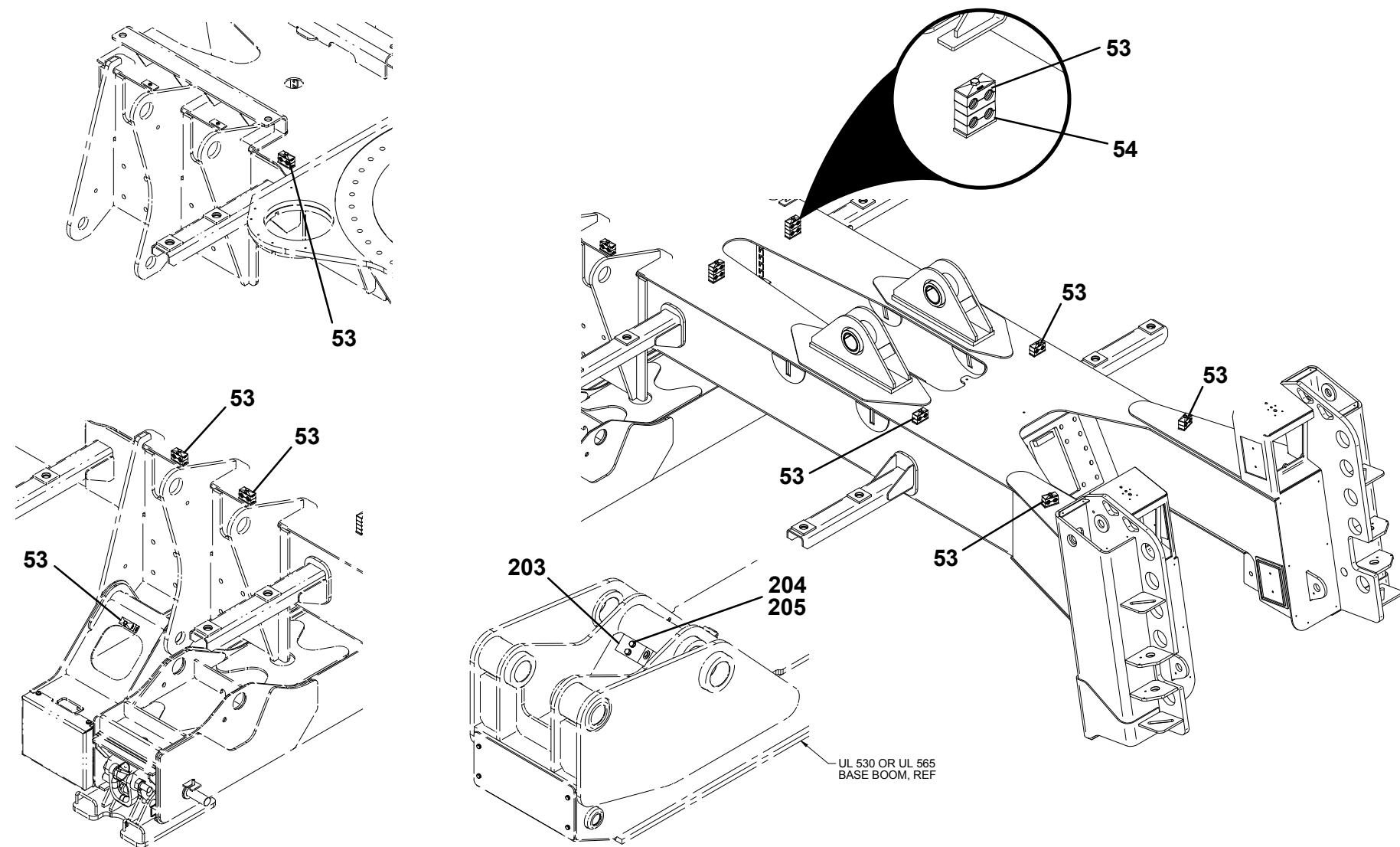
HYDRAULIC INSTALLATION



HYDRAULIC INSTALLATION



HYDRAULIC INSTALLATION

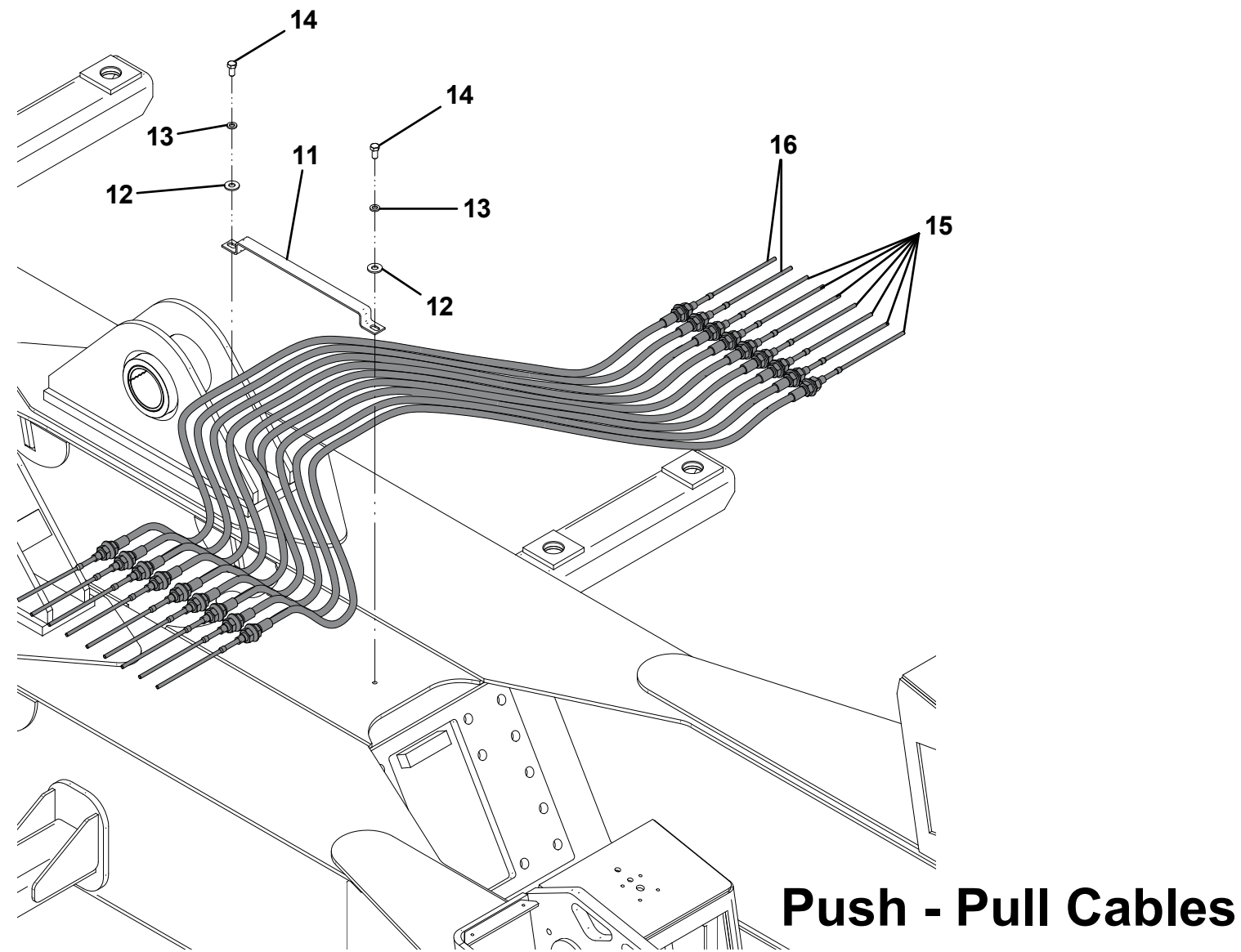


THIS PAGE INTENTIONALLY LEFT BLANK

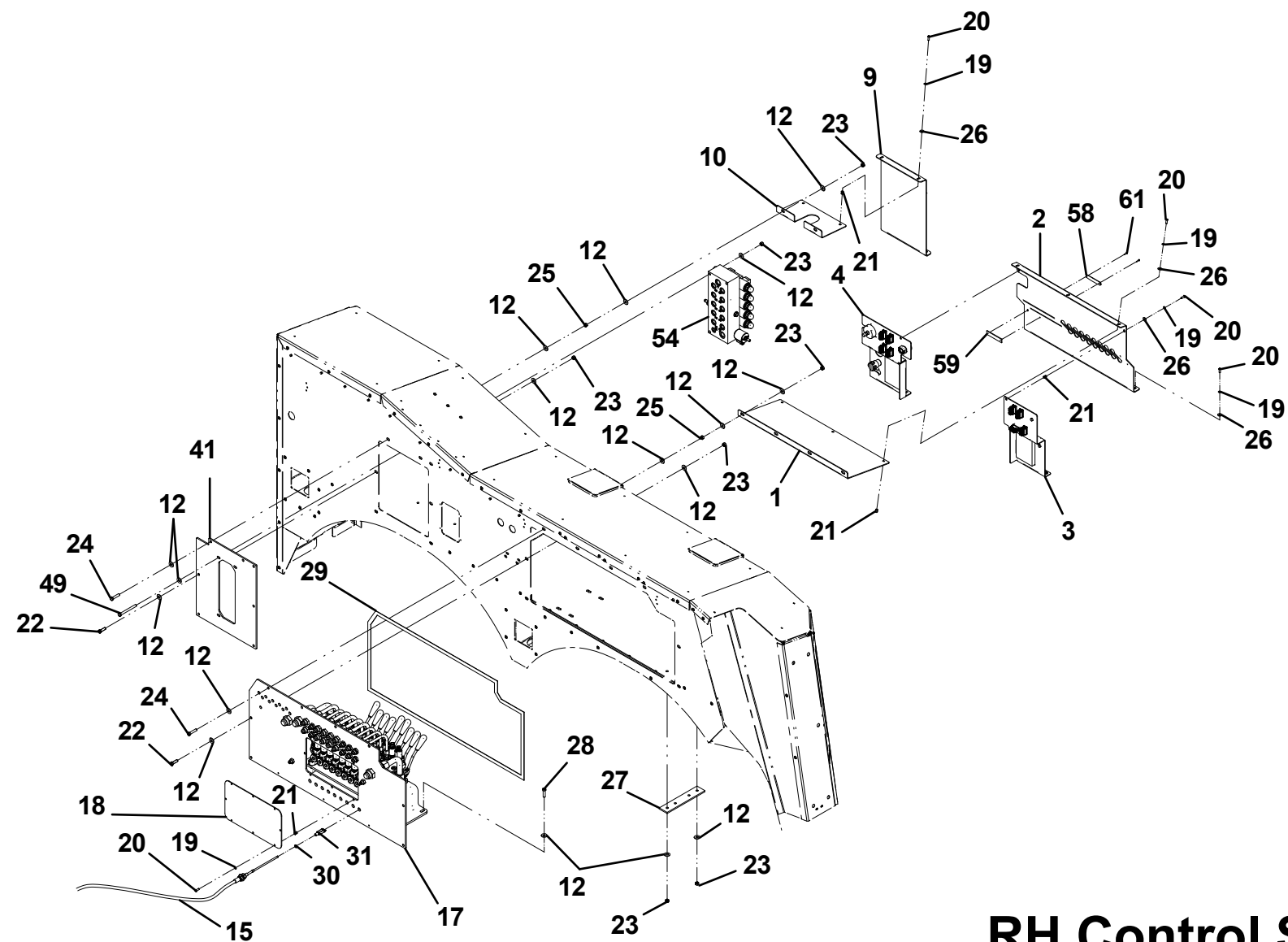
CONTROLS INSTALLATION - 9 SECTION

ITEM	PART NO.	DESCRIPTION	QTY	ITEM	PART NO.	DESCRIPTION	QTY
1	1001130385	Hood, Control RH Top	1	40	7115140850	Bolt, 0.25"-20NC x 1.00"	9
2	1001154273	Panel, Control Cover Center RH	1	41	1001137159	Plate	2
3	1001154069	Panel, Control Cover Rear RH	1	42	1001154277	Decal, Remote	1
4	1001154274	Panel, Control Cover Front RH	1	43	1001130491	Control Knob Ball	9
5	1001130347	Hood, Control LH Top	1	44	1001134450	Decal, Control Valve RH	1
6	1001154275	Panel, Control Cover Center LH	1	45	1001136146	Decal, Control Station Hazard	2
7	1001154276	Panel, Control Cover Front LH	1	46	1704260	Decal, Emergency Hop	2
8	1001154070	Panel, Control Cover Rear LH	1	47	1001134433	Decal, Air Tensioner	1
9	1001134412	Panel, O/R Valve Cover Front	2	48	1001131032	Decal, Valve Pressure	2
10	1001134411	Panel, O/R Valve Cover Top	2	49	7115163250	Capscrew, 0.38"-16NC x 4.00"	6
11	4062000717	Bar	1	50	1001154075	Decal, Swing	2
12	7950160161	Flatwasher, 0.38" ID	102	51	7701000003	Plug	1
13	7950160000	Lockwasher, 0.38" ID	2	52	1001134461	Decal, Spades	2
14	7115160650	Bolt, 0.38"-16NC x 2.00"	2	53	1001134462	Decal, Outrigger Control RH	1
15	1001130485	Cable, Push - Pull 90"	7	54	1001134376	Valve, Outrigger Control	2
16	1001130484	Cable, Push - Pull 75"	2	55	1001134463	Decal, Outrigger Control LH	1
17	1001130287	Valve Assembly, 9 Section	1	56	1001137160	Decal, Manual Override	2
18	1001130450	Panel, Controls	1	57	1001130696	Decal, Control Valve LH	1
19	7950140000	Lockwasher, 0.25" ID	42	58	1001156279	Indicator, 6 Degree Inclinator	4
20	7114140618	Capscrew, 0.25"-20NC x 0.75"	42	59	1001156079	Bar	2
21	7413000002	Nutsert, 0.25"-20NC	42	60	1001156186	Plug	16
22	7115161050	Capscrew, 0.38"-16NC x 1.25"	14	61	7120000047	Screw, #4-40NC x 0.62"	8
23	7660162601	Locknut, 0.38"-16NC	39	62	7660040000	Nut, #4-40NC	4
24	7115161450	Capscrew, 0.38"-16NC x 1.75"	11				
25	7660160000	Nut, 0.38"-16NC	11				
26	7950140161	Flatwasher, 0.25" ID	52				
27	1001130340	Bar	4				
28	7115161250	Capscrew, 0.38"-16NC 1.50"	8				
29	7796000012	Seal	28ft				
30	7660140230	Nut, 0.25"-28NF	18				
31	7577000273	Kit, Control Handle Yoke	18				
32	1001130262	Bracket	1				
33	7082000005	Bearing, 0.75" ID x 1.00" OD	2				
34	1001130086	Handle, Long LH	3				
35	1001130087	Handle, Short LH	6				
36	7806000008	Shaft, 0.75" x 21.00"	1				
37	7754000009	Retaining Ring	2				
38	1001130313	Plate	1				
39	7660142601	Locknut, 0.25"-20NC	9				

CONTROLS INSTALLATION - 9 SECTION

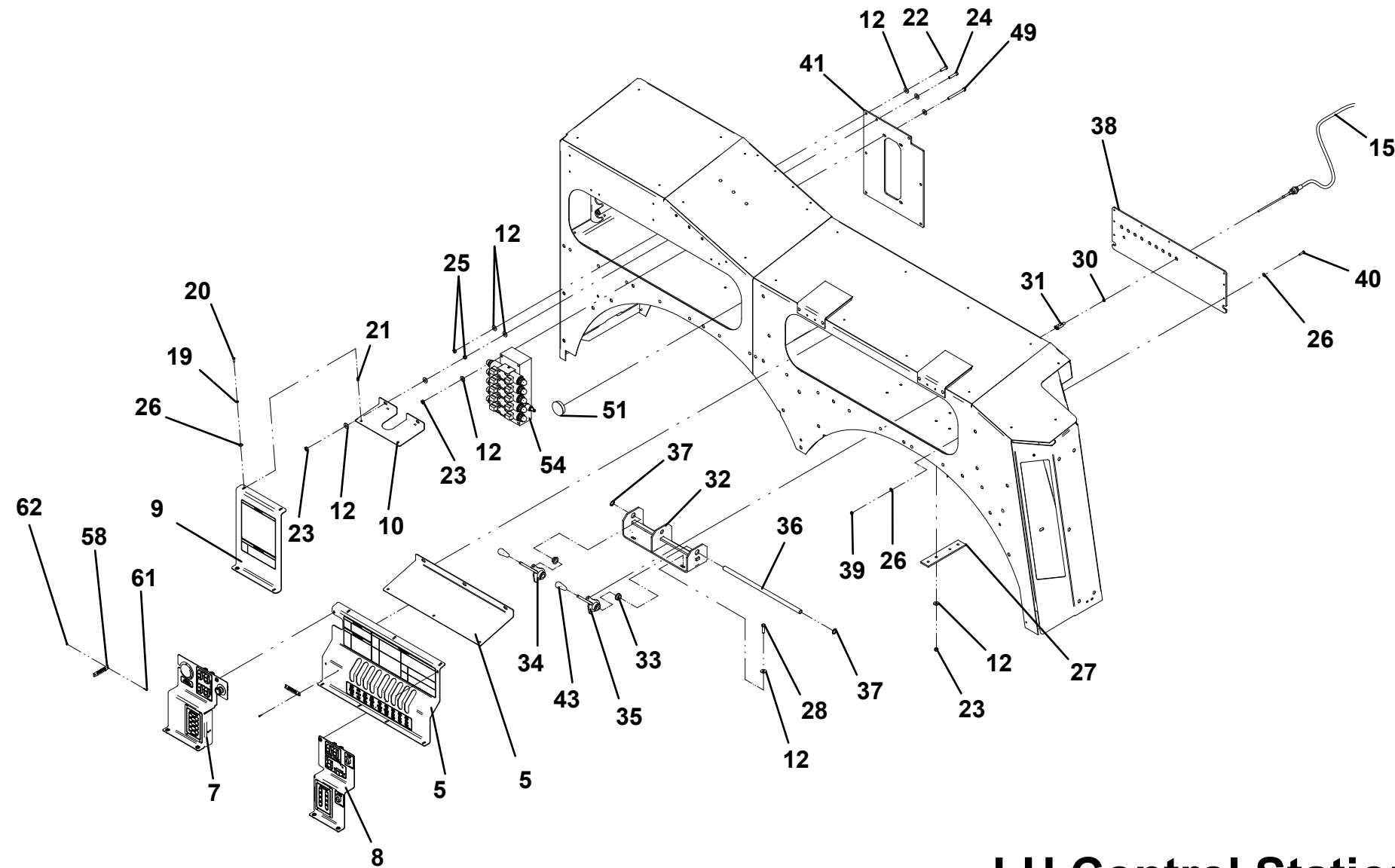


CONTROLS INSTALLATION - 9 SECTION



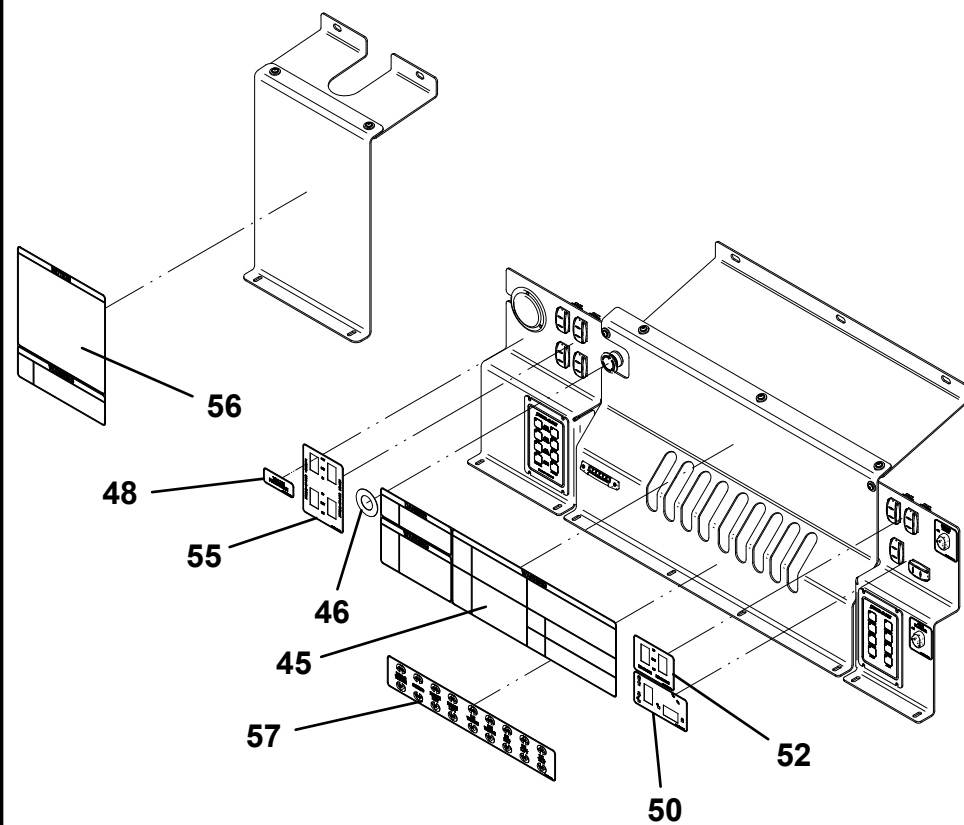
RH Control Station

CONTROLS INSTALLATION - 9 SECTION

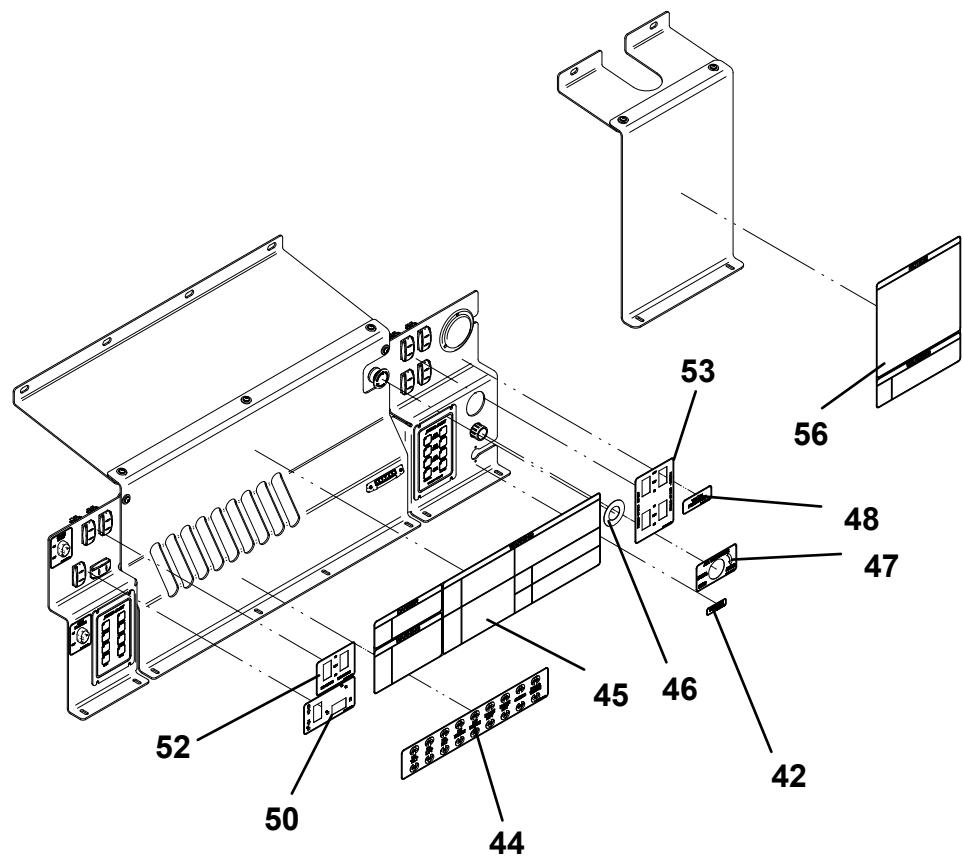


LH Control Station

CONTROLS INSTALLATION - 9 SECTION



LH Control Station



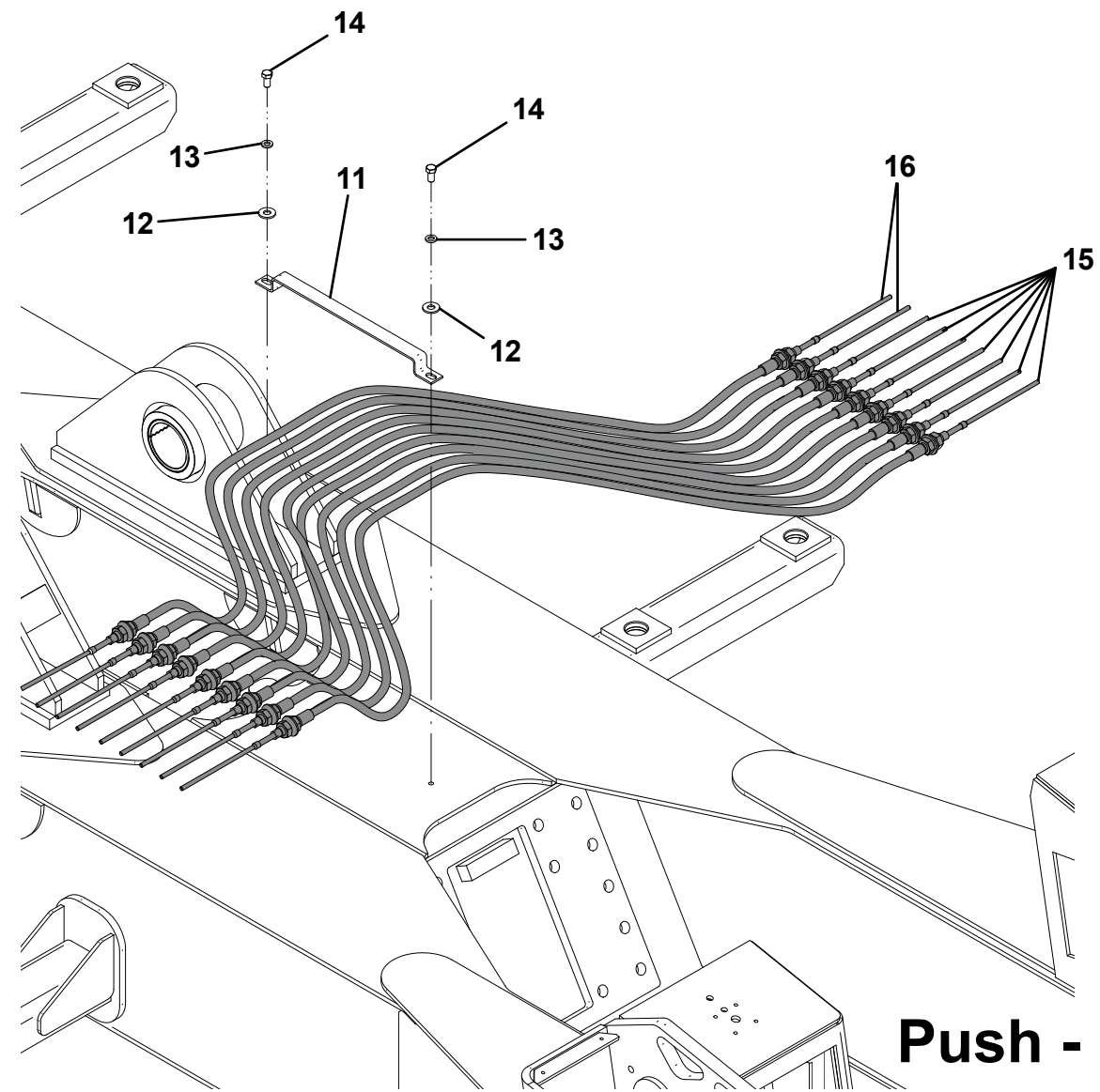
RH Control Station

THIS PAGE INTENTIONALLY LEFT BLANK

CONTROLS INSTALLATION - 11 SECTION

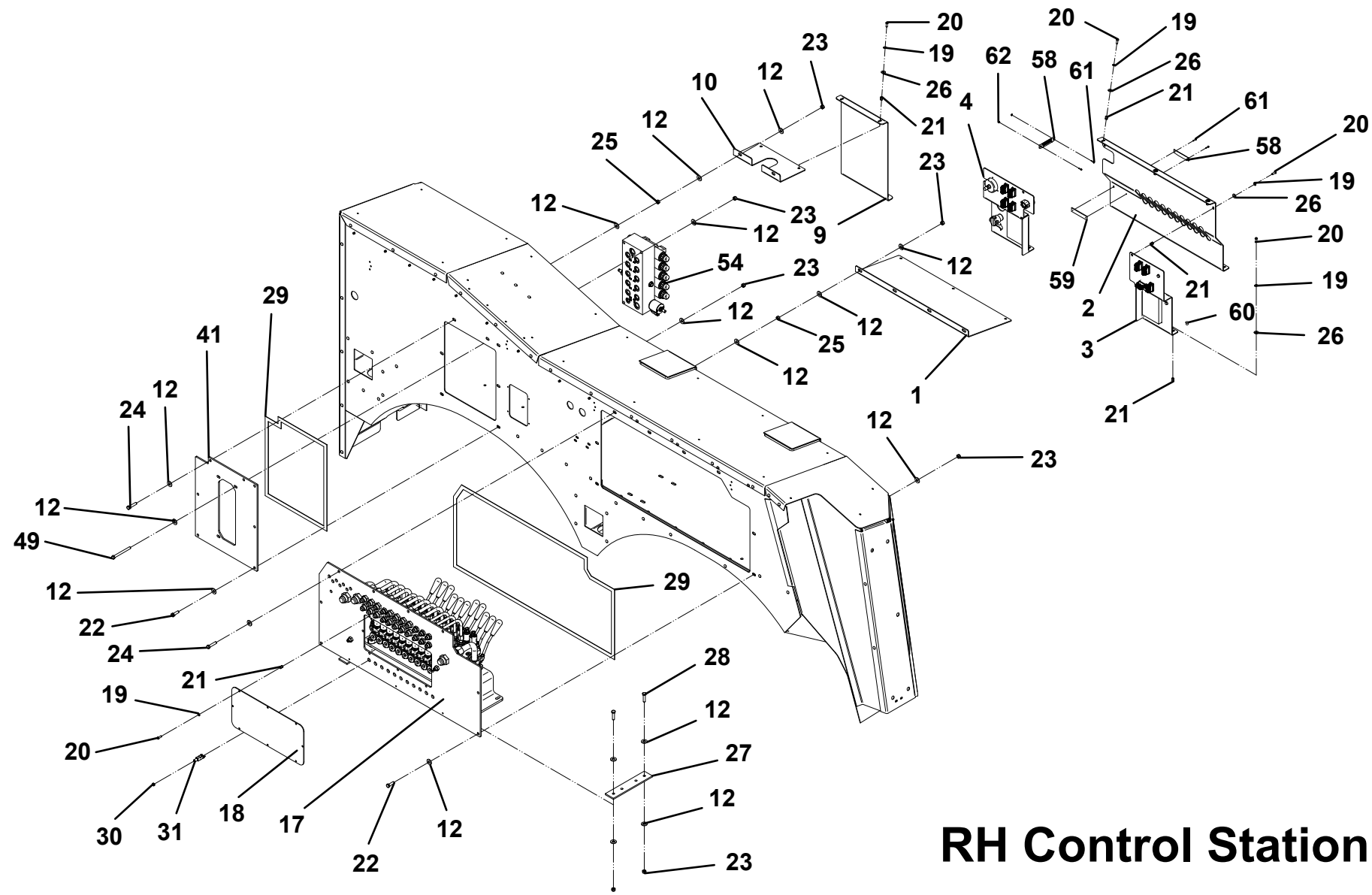
ITEM	PART NO.	DESCRIPTION	QTY	ITEM	PART NO.	DESCRIPTION	QTY
1	1001130385	Hood, Control RH Top	1	40	7115140850	Bolt, 0.25"-20NC x 1.00"	9
2	1001157227	Panel, Control Cover Center RH	1	41	1001137159	Plate	2
3	1001154069	Panel, Control Cover Rear RH	1	42	1001154277	Decal, Remote	1
4	1001154274	Panel, Control Cover Front RH	1	43	1001130491	Control Knob Ball	11
5	1001130347	Hood, Control LH Top	1	44	1001157232	Decal, Control Valve RH	1
6	1001157228	Panel, Control Cover Center LH	1	45	1001136146	Decal, Control Station Hazard	2
7	1001154276	Panel, Control Cover Front LH	1	47	1001134433	Decal, Air Tensioner	1
8	1001154070	Panel, Control Cover Rear LH	1	48	1001131032	Decal, Valve Pressure	2
9	1001134412	Panel, O/R Valve Cover Front	2	49	7115163250	Capscrew, 0.38"-16NC x 4.00"	6
10	1001134411	Panel, O/R Valve Cover Top	2	50	1001154075	Decal, Swing	2
11	4062000717	Bar	1	51	7701000003	Plug	1
12	7950160161	Flatwasher, 0.38" ID	102	52	1001134461	Decal, Spades	2
13	7950160000	Lockwasher, 0.38" ID	2	53	1001134462	Decal, Outrigger Control RH	1
14	7115160650	Bolt, 0.38"-16NC x 2.00"	2	54	1001134376	Valve, Outrigger Control	2
15	1001130485	Cable, Push - Pull 90"	7	55	1001134463	Decal, Outrigger Control LH	1
16	1001130484	Cable, Push - Pull 75"	4	56	1001137160	Decal, Manual Override	2
17	1001157109	Valve Assembly, 11 Section	1	57	1001157233	Decal, Control Valve LH	1
18	1001157240	Panel, Controls	1	58	1001156279	Indicator, 6 Degree Inclinator	4
19	7950140000	Lockwasher, 0.25" ID	42	59	1001156079	Bar	2
20	7114140618	Capscrew, 0.25"-20NC x 0.75"	42	60	1001156186	Plug	16
21	7413000002	Nutsert, 0.25"-20NC	42	61	7120000047	Screw, #4-40NC x 0.62"	8
22	7115161050	Capscrew, 0.38"-16NC x 1.25"	14	62	7660040000	Nut, #4-40NC	4
23	7660162601	Locknut, 0.38"-16NC	39				
24	7115161450	Capscrew, 0.38"-16NC x 1.75"	11				
25	7660160000	Nut, 0.38"-16NC	11				
26	7950140161	Flatwasher, 0.25" ID	52				
27	1001130340	Bar	4				
28	7115161250	Capscrew, 0.38"-16NC 1.50"	8				
29	7796000012	Seal	28 FT.				
30	7660140230	Nut, 0.25"-28NF	22				
31	7577000273	Kit, Control Handle Yoke	22				
32	1001157245	Bracket	1				
33	7082000005	Bearing, 0.75" ID x 1.00" OD	2				
34	1001130086	Handle, Long LH	5				
35	1001130087	Handle, Short LH	6				
36	1001157309	Shaft	1				
37	7754000009	Retaining Ring	2				
38	1001157257	Plate	1				
39	7660142601	Locknut, 0.25"-20NC	9				

CONTROLS INSTALLATION - 11 SECTION



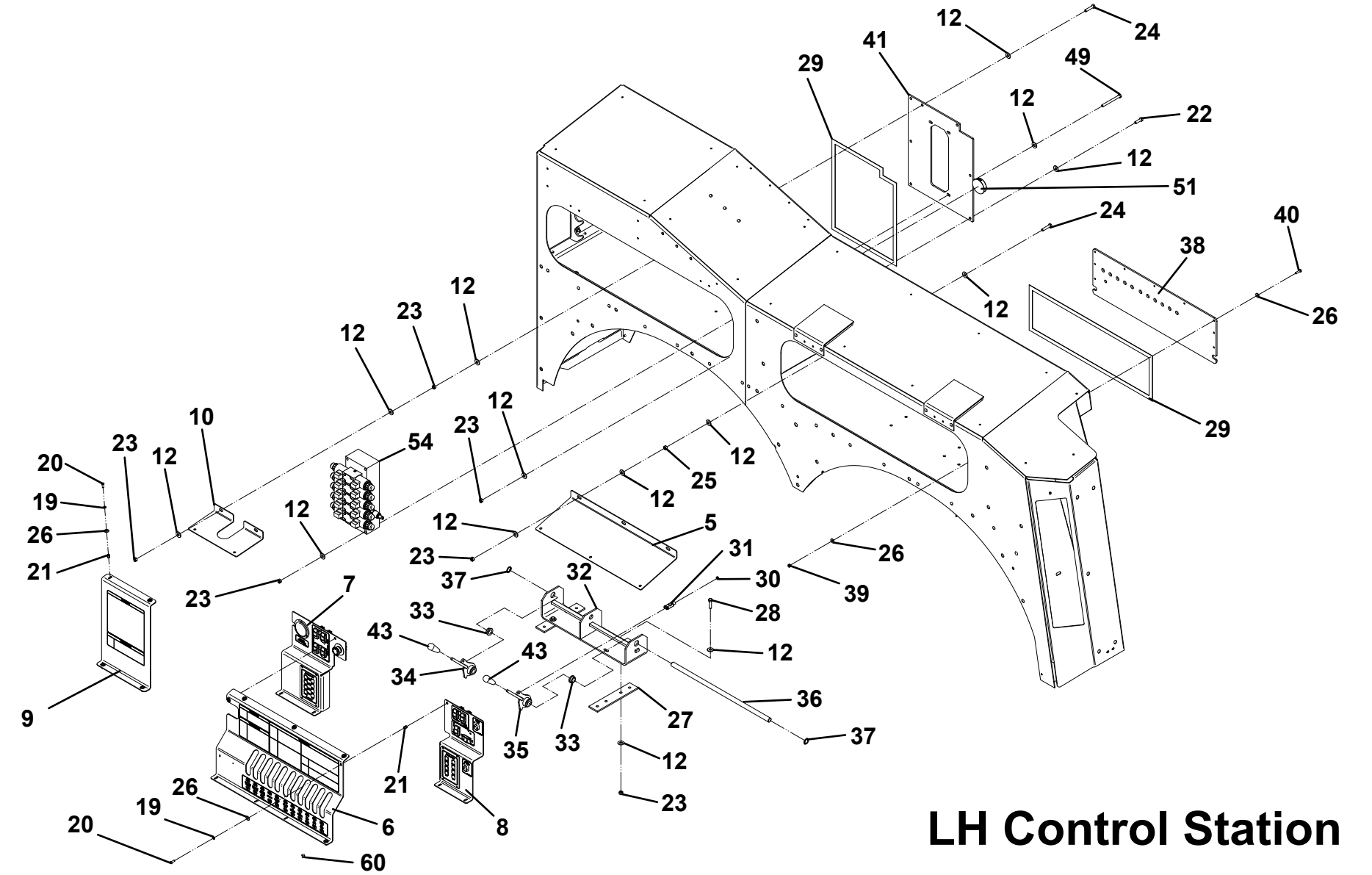
Push - Pull Cables

CONTROLS INSTALLATION - 11 SECTION



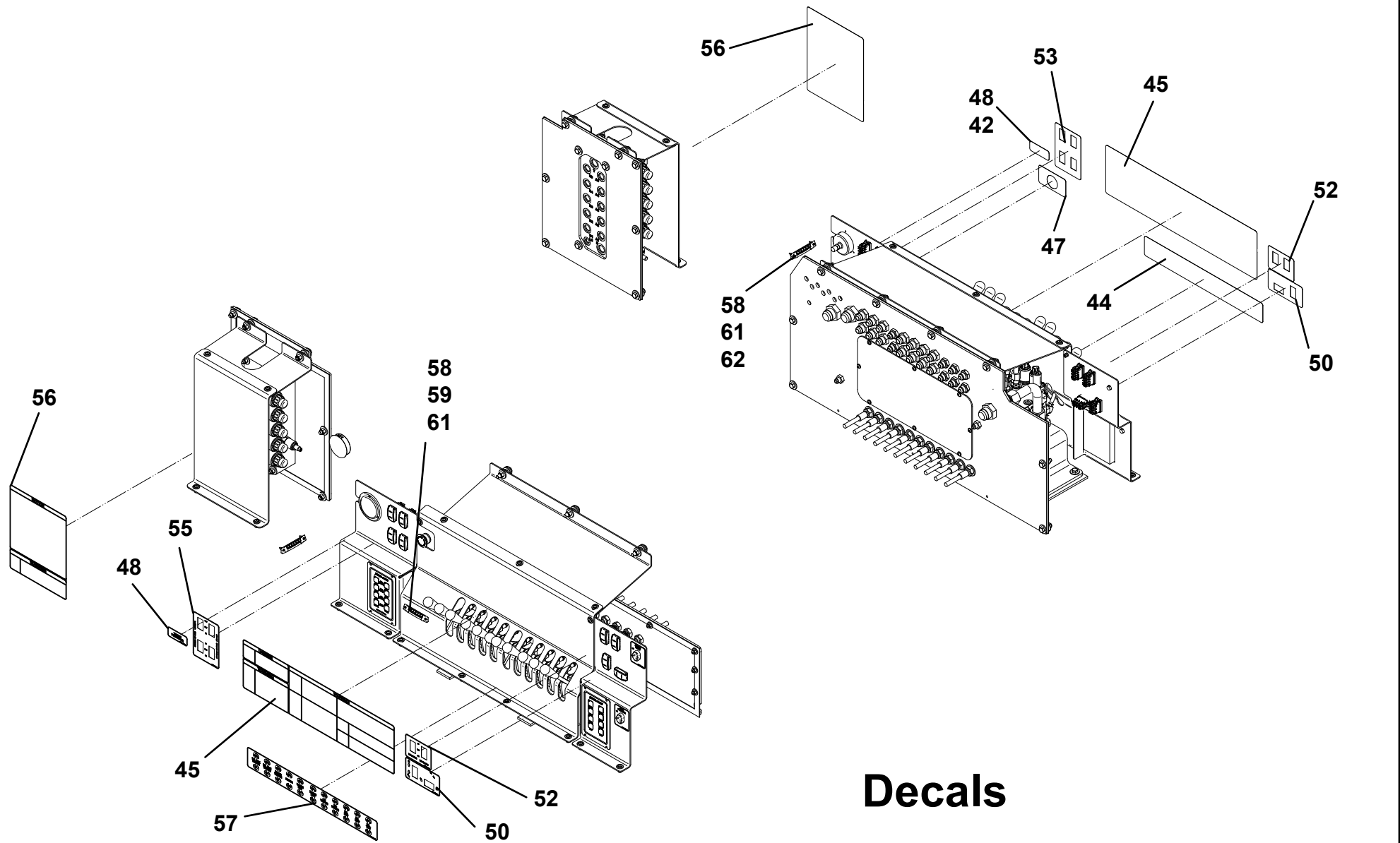
RH Control Station

CONTROLS INSTALLATION - 11 SECTION



LH Control Station

CONTROLS INSTALLATION - 11 SECTION



Decals

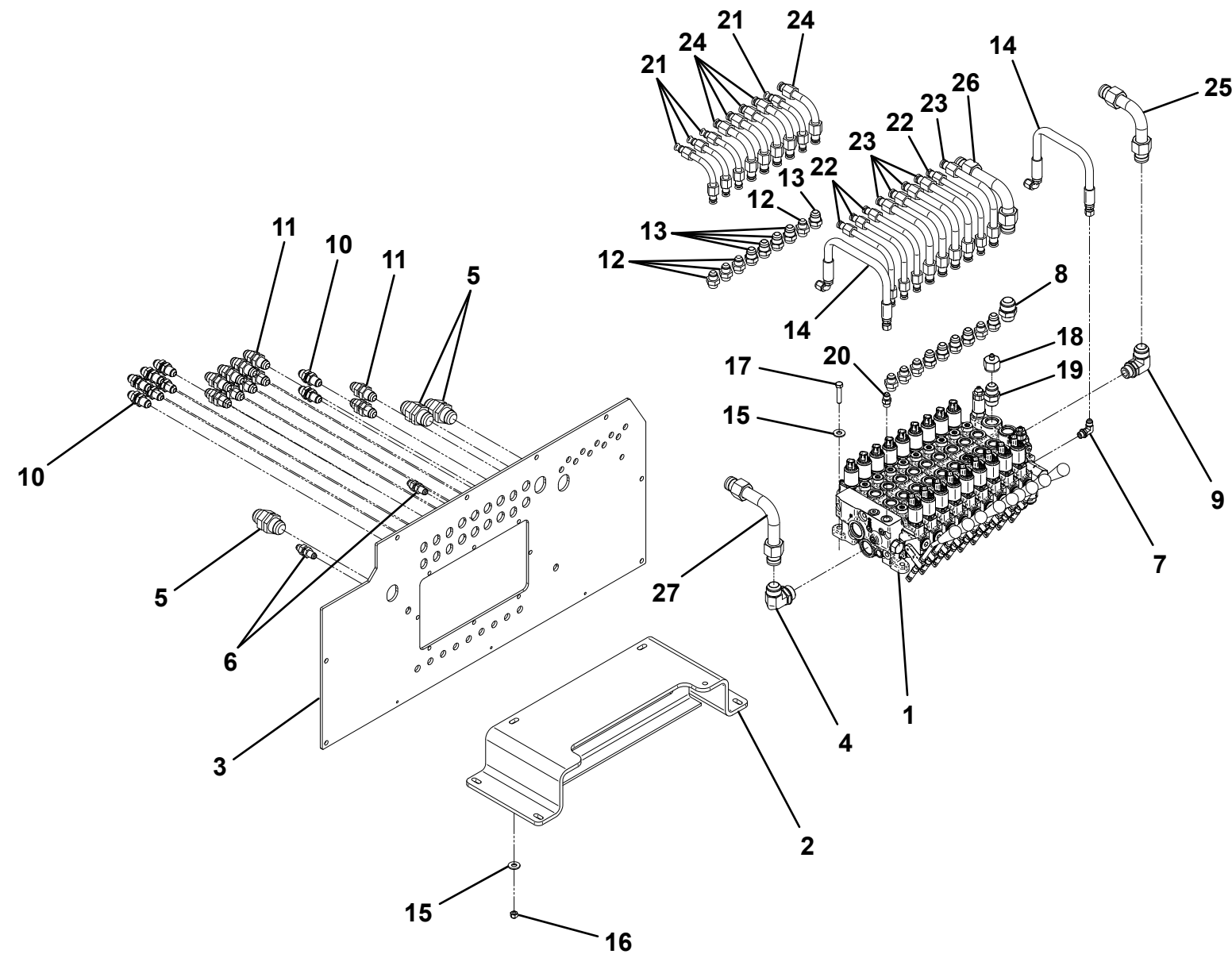
THIS PAGE INTENTIONALLY LEFT BLANK

VALVE ASSEMBLY, 9 SECTION - 1001130287

ITEM	PART NO.	DESCRIPTION	QTY
1	1001127671	Valve, 9 Section Control	1
2	1001130258	Mount, Control Valve	1
3	1001130261	Plate, Bulkhead	1
4	7445161645	Fitting, Elbow	1
5	7445161625	Fitting, Union Bulkhead	3
6	7445060625	Fitting, Union Bulkhead	2
7	7445060645	Fitting, Elbow	1
8	7445161243	Fitting, Adapter	1
9	7445161245	Fitting, Elbow	1
10	7445080825	Fitting, Union Bulkhead	8
11	7445101025	Fitting, Union Bulkhead	10
12	7445081043	Fitting, Adapter	8
13	7445101043	Fitting, Adapter	10
14	4567122014	Hose Assembly	2
15	7950160161	Flatwasher, 0.38" ID	6
16	7660162601	Locknut, 0.38"-16NC	3
17	7115161450	Capscrew, 0.38"-16NC x 1.75"	3
18	7443000207	Fitting, Reducer	1
19	7445121243	Fitting, Adapter	1
20	7445060643	Fitting, Adapter	1
21	1001130208*	Pipe, Tube Assembly 0.50" Dia "A" Port	4
22	1001130209*	Pipe, Tube Assembly 0.50" Dia "B" Port	4
23	1001130210*	Pipe, Tube Assembly 0.62" Dia "A" Port	5
24	1001130211*	Pipe, Tube Assembly 0.62" Dia "B" Port	5
25	1001130215*	Pipe, Tube Assembly 1.00" Dia Inlet	1
26	1001130216*	Pipe, Tube Assembly 1.00" Dia Inlet	1
27	1001130217*	Pipe, Tube Assembly 1.00" Dia Outlet	1

* Available in Pipe Kit - 1001130218

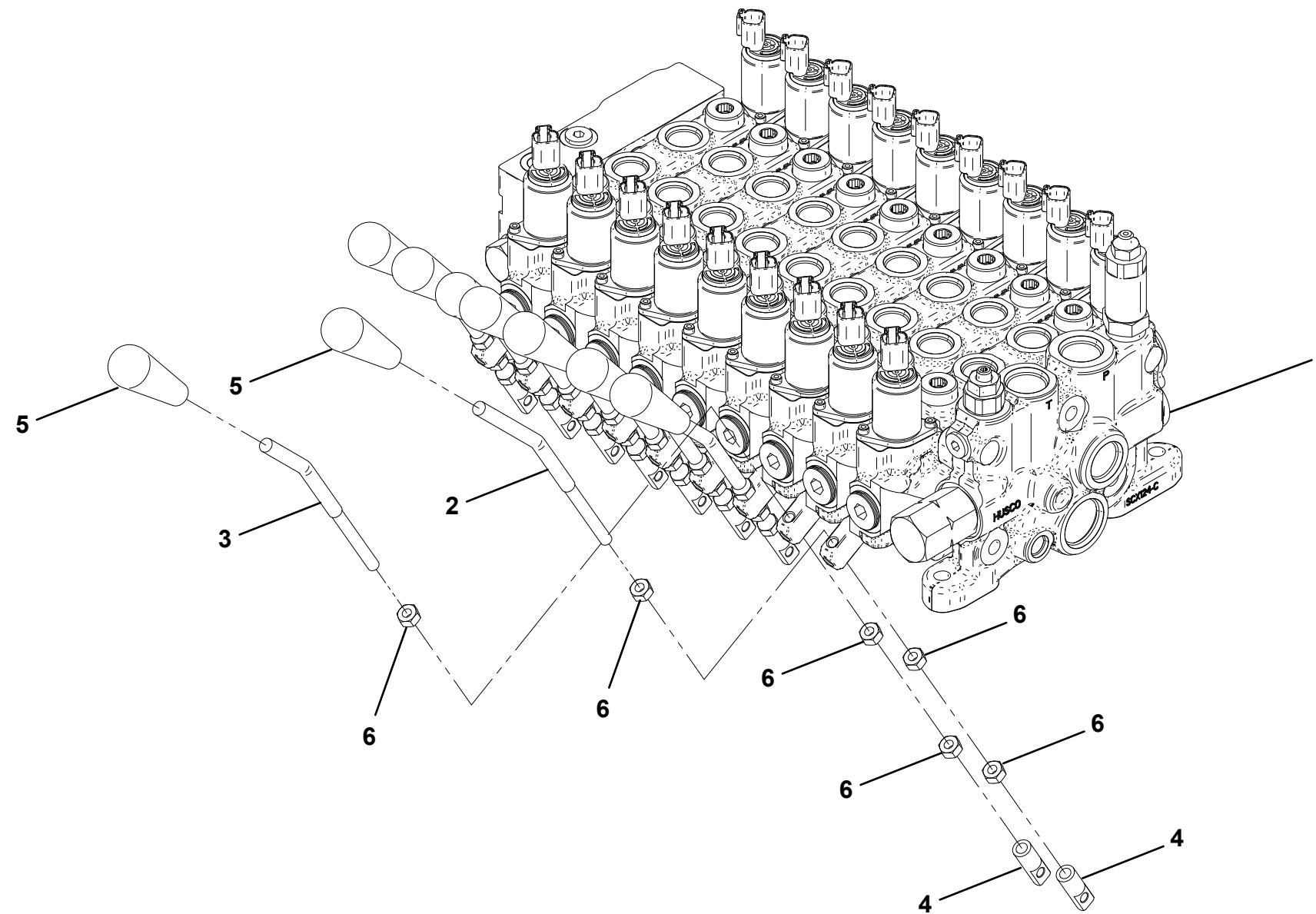
VALVE ASSEMBLY, 9 SECTION - 1001130287



VALVE ASSEMBLY, 9 SECTION - 1001127671

ITEM	PART NO.	DESCRIPTION	QTY
1	1001131131	Valve, 9 Section Control	1
2	1001131124	Handle, Long Control	3
3	1001131123	Handle, Short Control	6
4	1001131129	Adapter	9
5	1001130491	Ball, Knob	9
6	7660150000	Nut, 0.31"-18NC	27

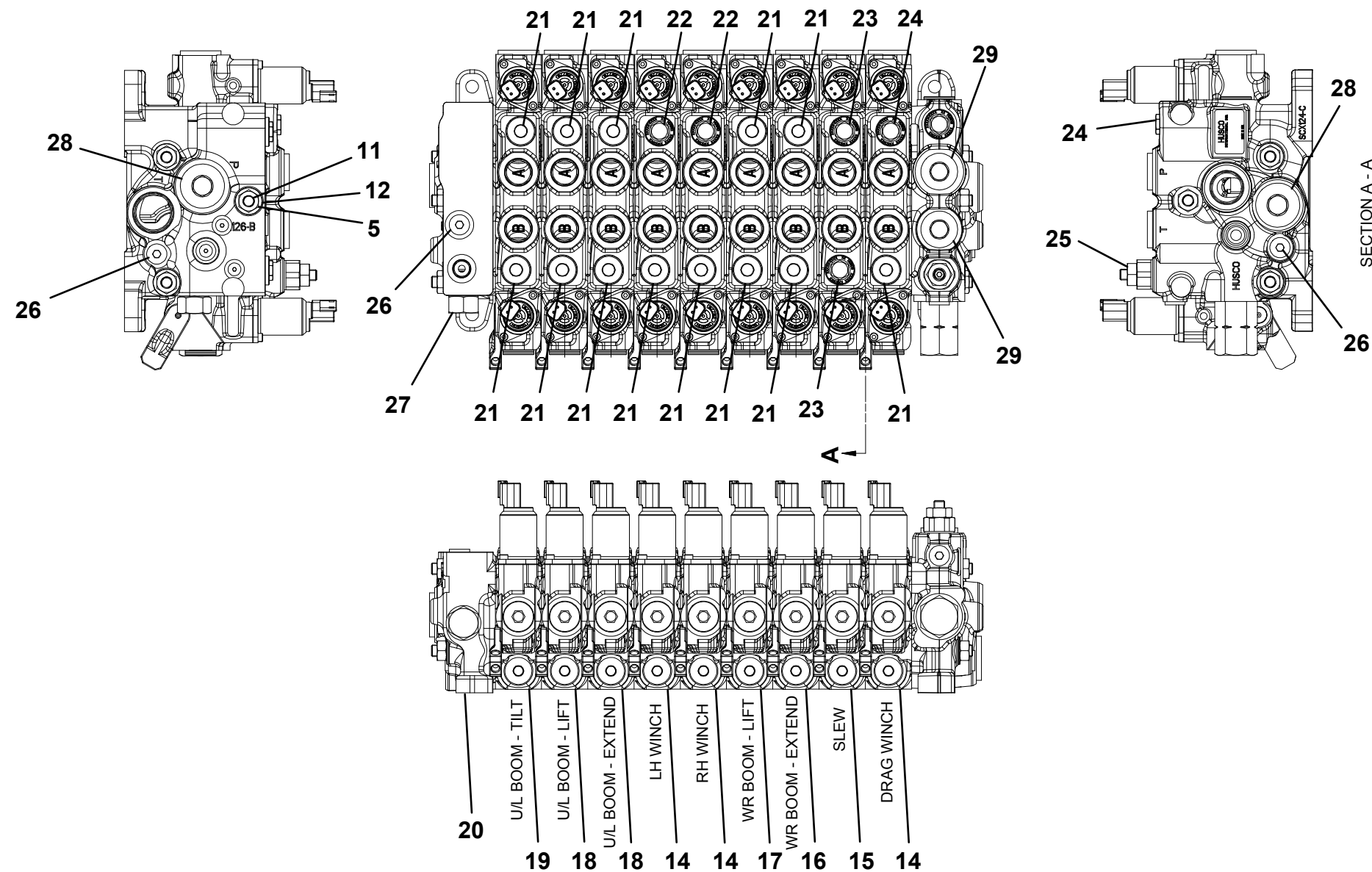
VALVE ASSEMBLY, 9 SECTION - 1001127671



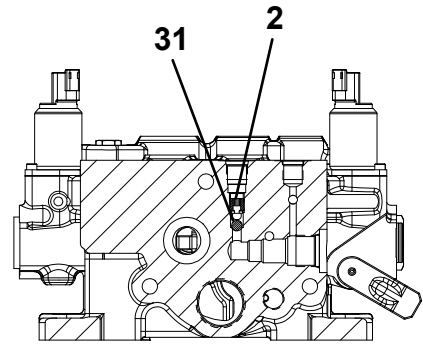
CONTROL VALVE - 9 SECTION - 1001131131

ITEM	PART NO.	DESCRIPTION	QTY
1	70050492	Spring	1
2	70050501	Set Screw	1
3	70050502	Plug Assembly - SAE	9
4	70050510	Lever Assembly	8
5	70050481	Nut	6
6	8034697	O-Ring	10
7	70050508	O-Ring	40
8	70050507	O-Ring	20
9	10837929	Poppet	9
10	10837937	Spring	9
11	70050483	Tie Rod	3
12	70050482	Washer - Compression	6
13	70050491	Inlet Section Assembly	1
14	70050490	Spool Section Assembly	3
15	70050489	Spool Section Assembly	1
16	70050488	Spool Section Assembly	1
17	70050487	Spool Section Assembly	1
18	70050486	Spool Section Assembly	2
19	70050485	Spool Section Assembly	1
20	70050484	Outlet Section Assembly	1
21	70050480	Shut Off Plug Assembly	13
22	70050479	Relief Valve Assembly	3
23	70050478	Relief Valve Assembly	2
24	70050477	Relief Valve Assembly	1
25	70050476	Drain Regulator Assembly	1
26	70050475	Plug Assembly - SAE	3
27	70050474	Pressure Regulating Valve Assembly	1
28	70050473	Plug Assembly - SAE	2
29	70050472	Plug Assembly - SAE	2
30	70050503	Plug Assembly - Metric	10
31	70050506	Ball	1
32	70050505	Cap Assembly	1
33	70050504	Plug Assembly - Metric	16

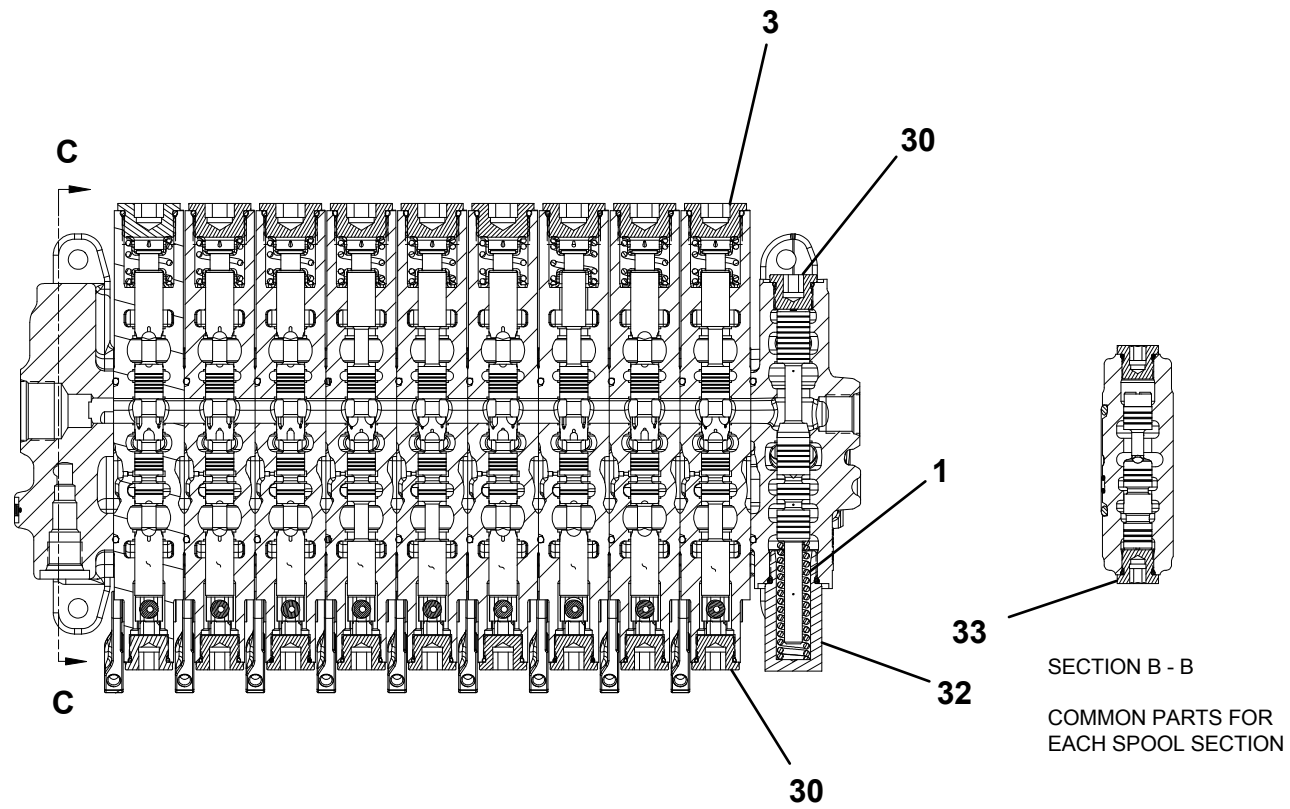
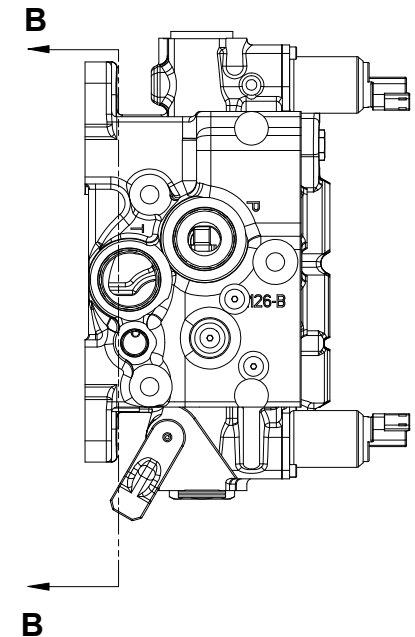
CONTROL VALVE - 9 SECTION - 1001131131



CONTROL VALVE - 9 SECTION - 1001131131

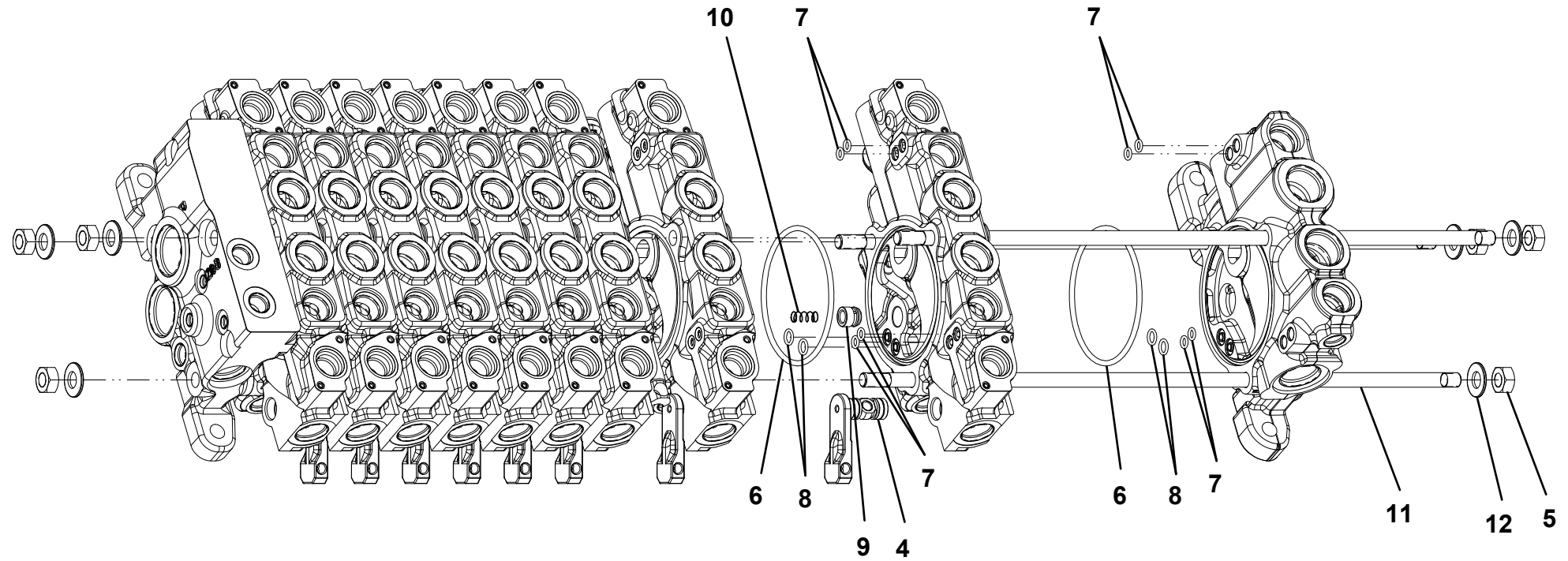


SECTION C - C



SECTION B - B
COMMON PARTS FOR EACH SPOOL SECTION

CONTROL VALVE - 9 SECTION - 1001131131

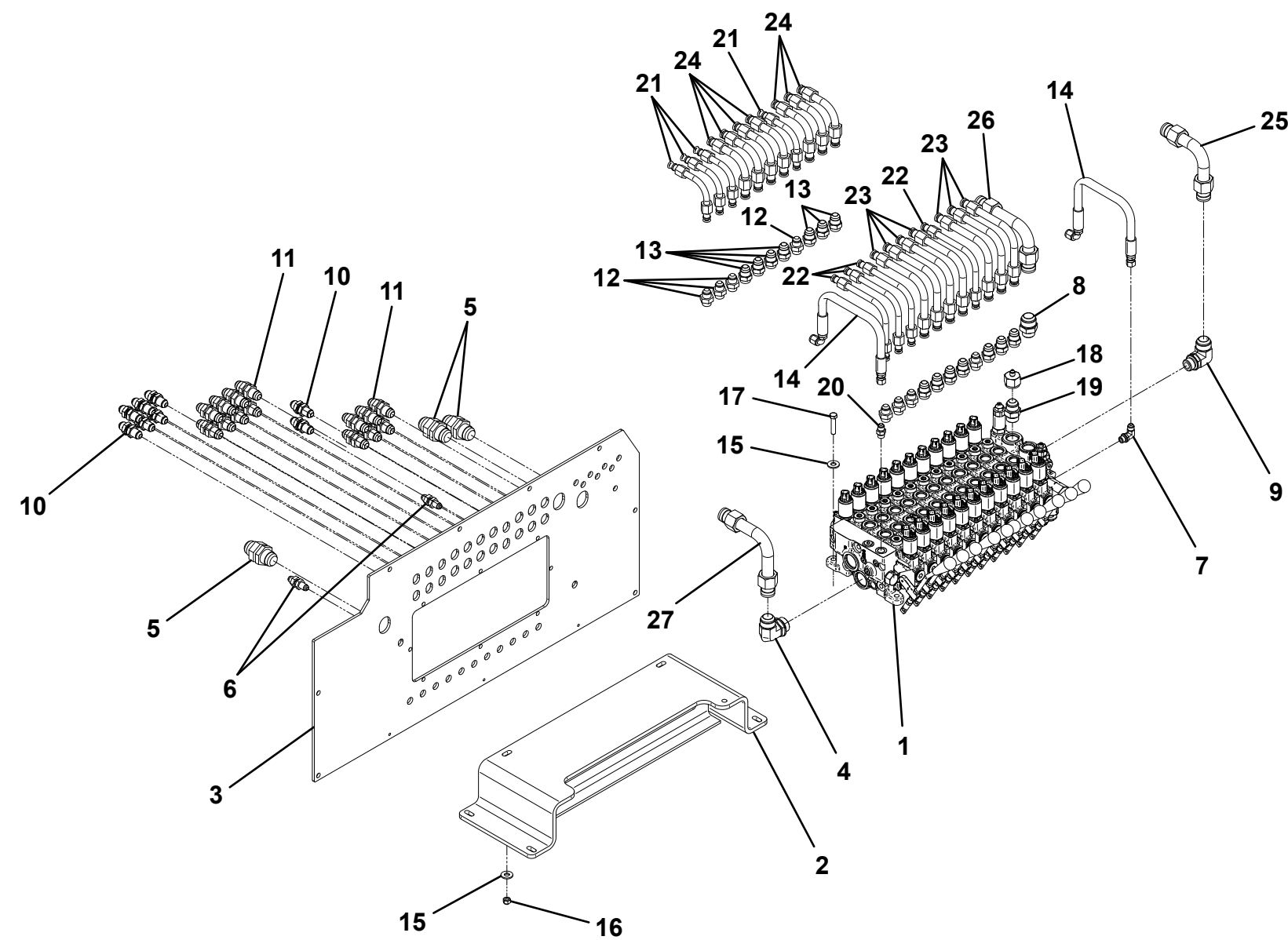


VALVE ASSEMBLY, 11 SECTION - 1001157109

ITEM	PART NO.	DESCRIPTION	QTY
1	1001127327	Valve, 9 Section Control	1
2	1001157110	Mount, Control Valve	1
3	1001157184	Plate, Bulkhead	1
4	7445161645	Fitting, Elbow	1
5	7445161625	Fitting, Union Bulkhead	3
6	7445060625	Fitting, Union Bulkhead	2
7	7445060645	Fitting, Elbow	1
8	7445161243	Fitting, Adapter	1
9	7445161245	Fitting, Elbow	1
10	7445080825	Fitting, Union Bulkhead	8
11	7445101025	Fitting, Union Bulkhead	14
12	7445081043	Fitting, Adapter	8
13	7445101043	Fitting, Adapter	14
14	4567122014	Hose Assembly	2
15	7950160161	Flatwasher, 0.38" ID	6
16	7660162601	Locknut, 0.38"-16NC	3
17	7115161450	Capscrew, 0.38"-16NC x 1.75"	3
18	7443000207	Fitting, Reducer	1
19	7445121243	Fitting, Adapter	1
20	7445060643	Fitting, Adapter	1
21	1001130208*	Pipe, Tube Assembly 0.50" Dia "A" Port	4
22	1001130209*	Pipe, Tube Assembly 0.50" Dia "B" Port	4
23	1001130210*	Pipe, Tube Assembly 0.62" Dia "A" Port	7
24	1001130211*	Pipe, Tube Assembly 0.62" Dia "B" Port	7
25	1001130215*	Pipe, Tube Assembly 1.00" Dia Inlet	1
26	1001130216*	Pipe, Tube Assembly 1.00" Dia Inlet	1
27	1001130217*	Pipe, Tube Assembly 1.00" Dia Outlet	1

* Available in Pipe Kit - 1001157212

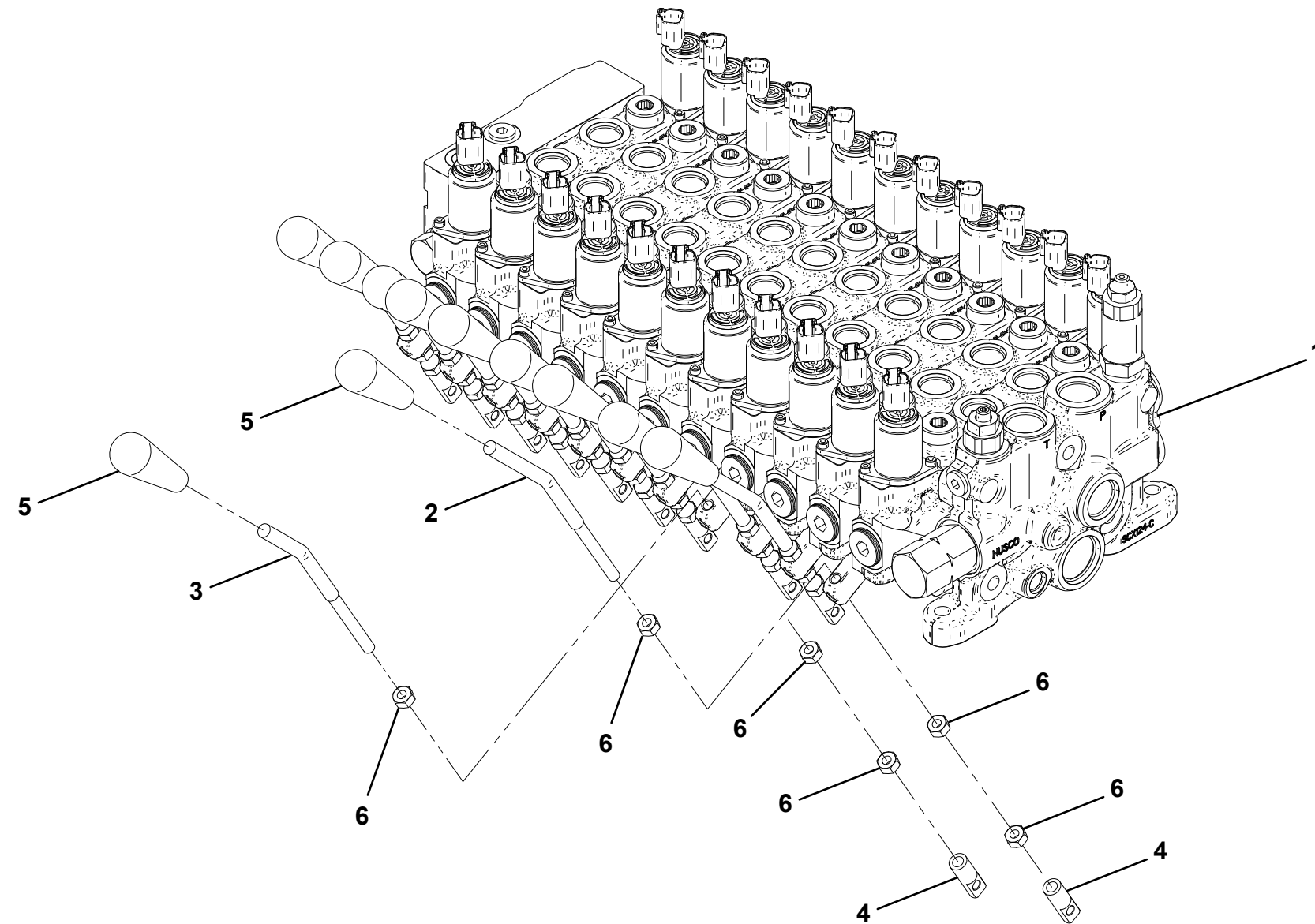
VALVE ASSEMBLY, 11 SECTION - 1001157109



VALVE ASSEMBLY, 11 SECTION - 1001127327

ITEM	PART NO.	DESCRIPTION	QTY
1	1001157093	Valve, 9 Section Control	1
2	1001131124	Handle, Long Control	5
3	1001131123	Handle, Short Control	6
4	1001131129	Adapter	11
5	1001130491	Ball, Knob	11
6	7660150000	Nut, 0.31"-18NC	33

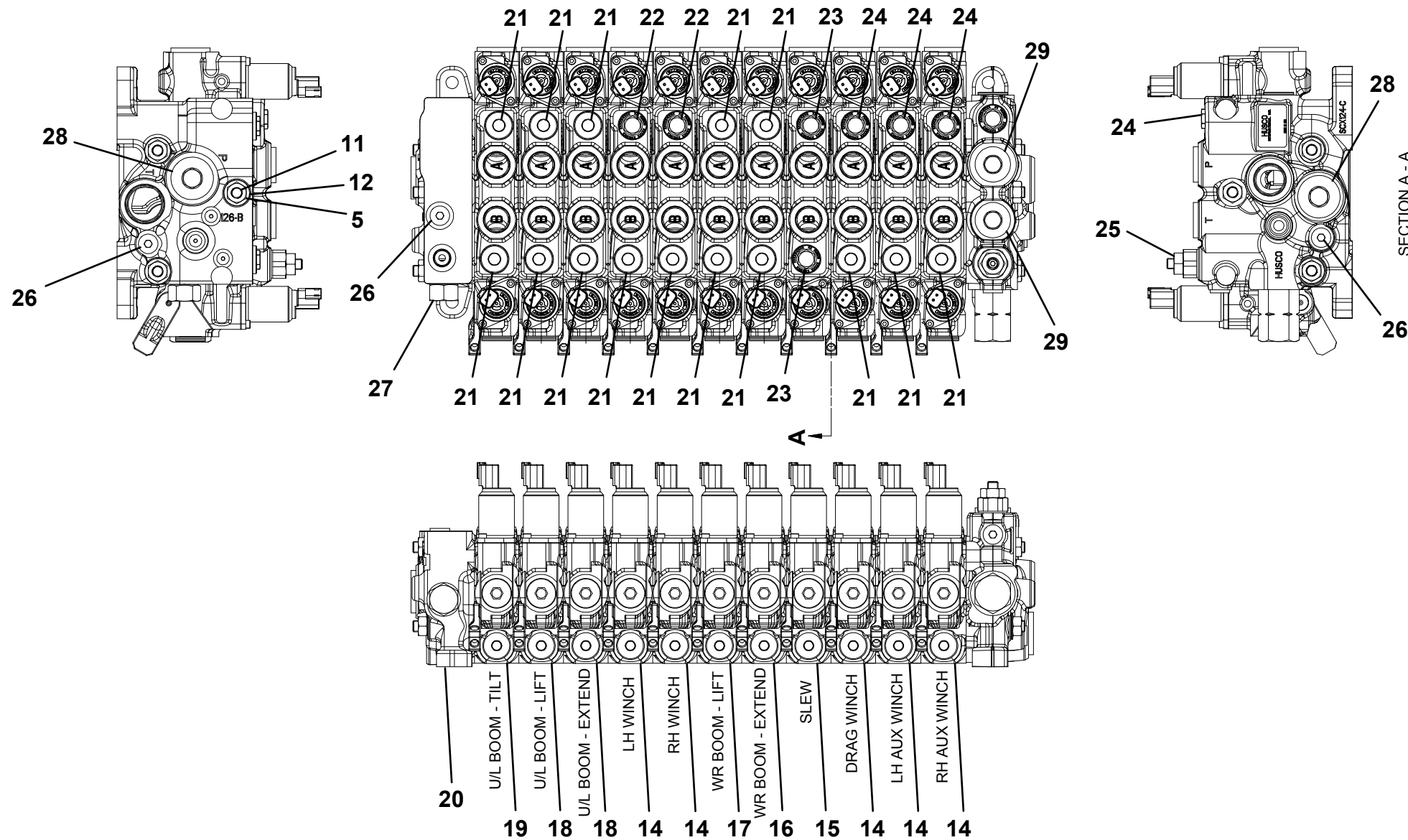
VALVE ASSEMBLY, 11 SECTION - 1001127327



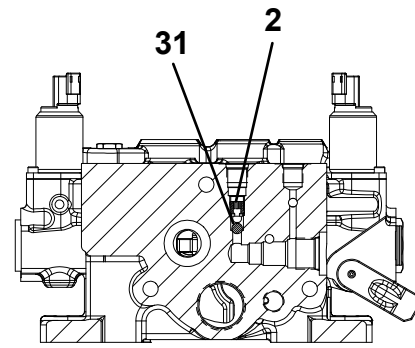
CONTROL VALVE - 11 SECTION - 1001157093

ITEM	PART NO.	DESCRIPTION	QTY
1	70050492	Spring	1
2	70050501	Set Screw	1
3	70050502	Plug Assembly - SAE	11
4	70050510	Lever Assembly	10
5	70050481	Nut	6
6	8034697	O-Ring	12
7	70050508	O-Ring	48
8	70050507	O-Ring	24
9	10837929	Poppet	11
10	10837937	Spring	11
11	70050734	Tie Rod	3
12	70050482	Washer - Compression	6
13	70050491	Inlet Section Assembly	1
14	70050490	Spool Section Assembly	5
15	70050489	Spool Section Assembly	1
16	70050488	Spool Section Assembly	1
17	70050487	Spool Section Assembly	1
18	70050486	Spool Section Assembly	2
19	70050485	Spool Section Assembly	1
20	70050484	Outlet Section Assembly	1
21	70050480	Shut Off Plug Assembly	15
22	70050479	Relief Valve Assembly	3
23	70050478	Relief Valve Assembly	2
24	70050477	Relief Valve Assembly	3
25	70050476	Drain Regulator Assembly	1
26	70050475	Plug Assembly - SAE	3
27	70050474	Pressure Regulating Valve Assembly	1
28	70050473	Plug Assembly - SAE	2
29	70050472	Plug Assembly - SAE	2
30	70050503	Plug Assembly - Metric	12
31	70050506	Ball	1
32	70050505	Cap Assembly	1
33	70050504	Plug Assembly - Metric	20

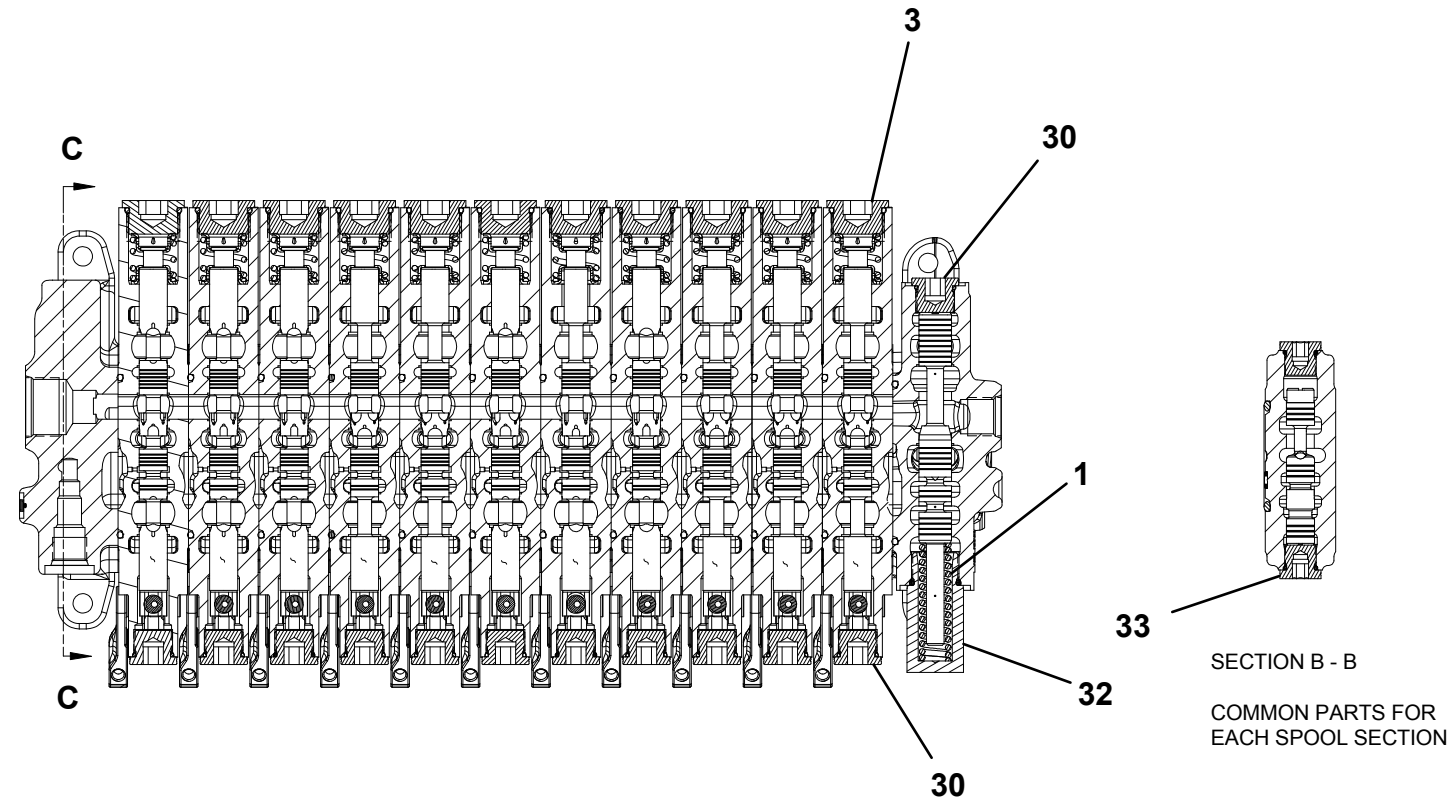
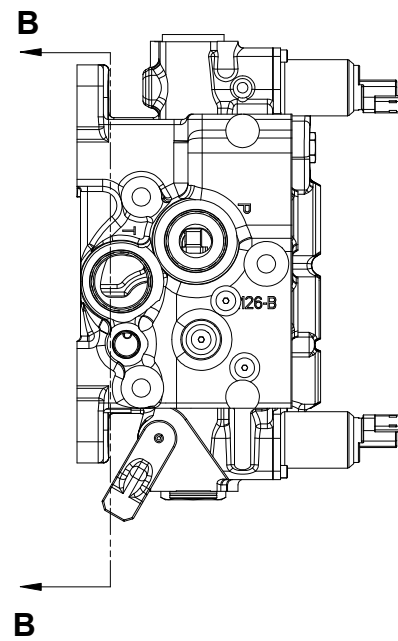
CONTROL VALVE - 11 SECTION - 1001147093



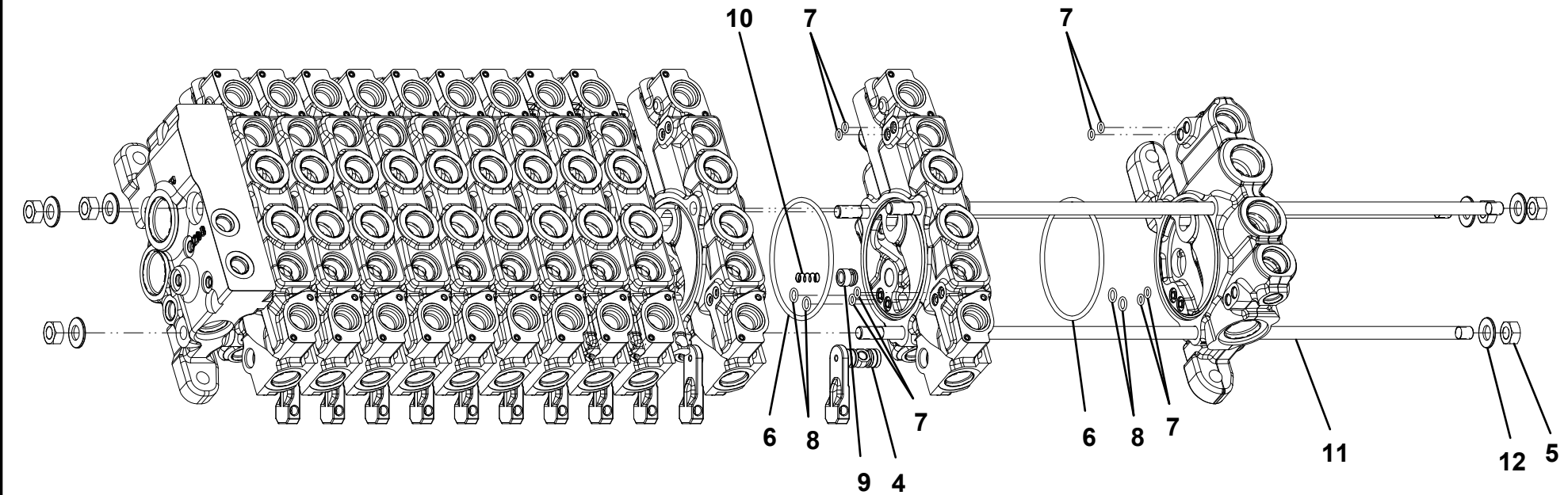
CONTROL VALVE - 11 SECTION - 1001147093



SECTION C - C



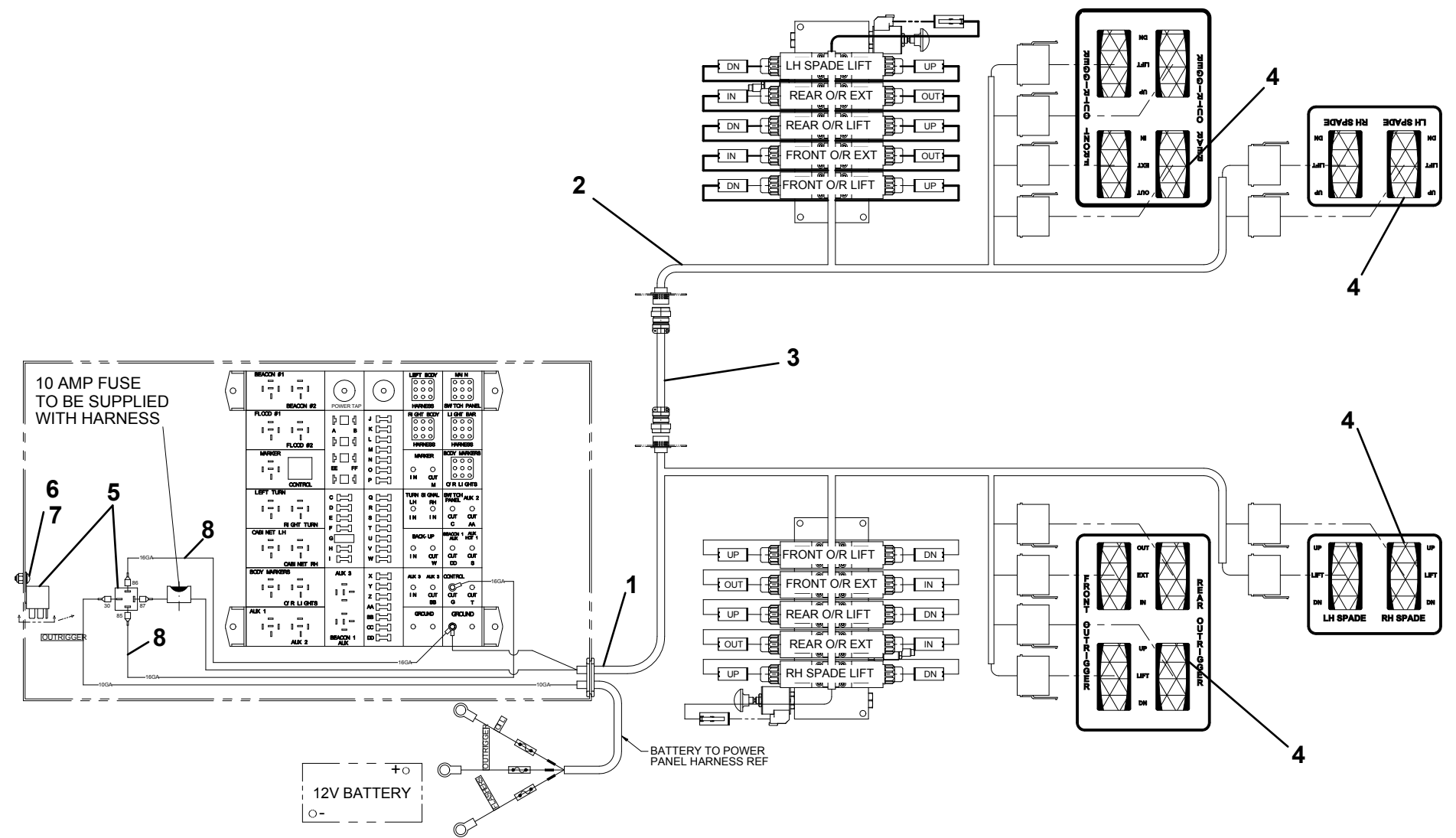
CONTROL VALVE - 11 SECTION - 1001147093



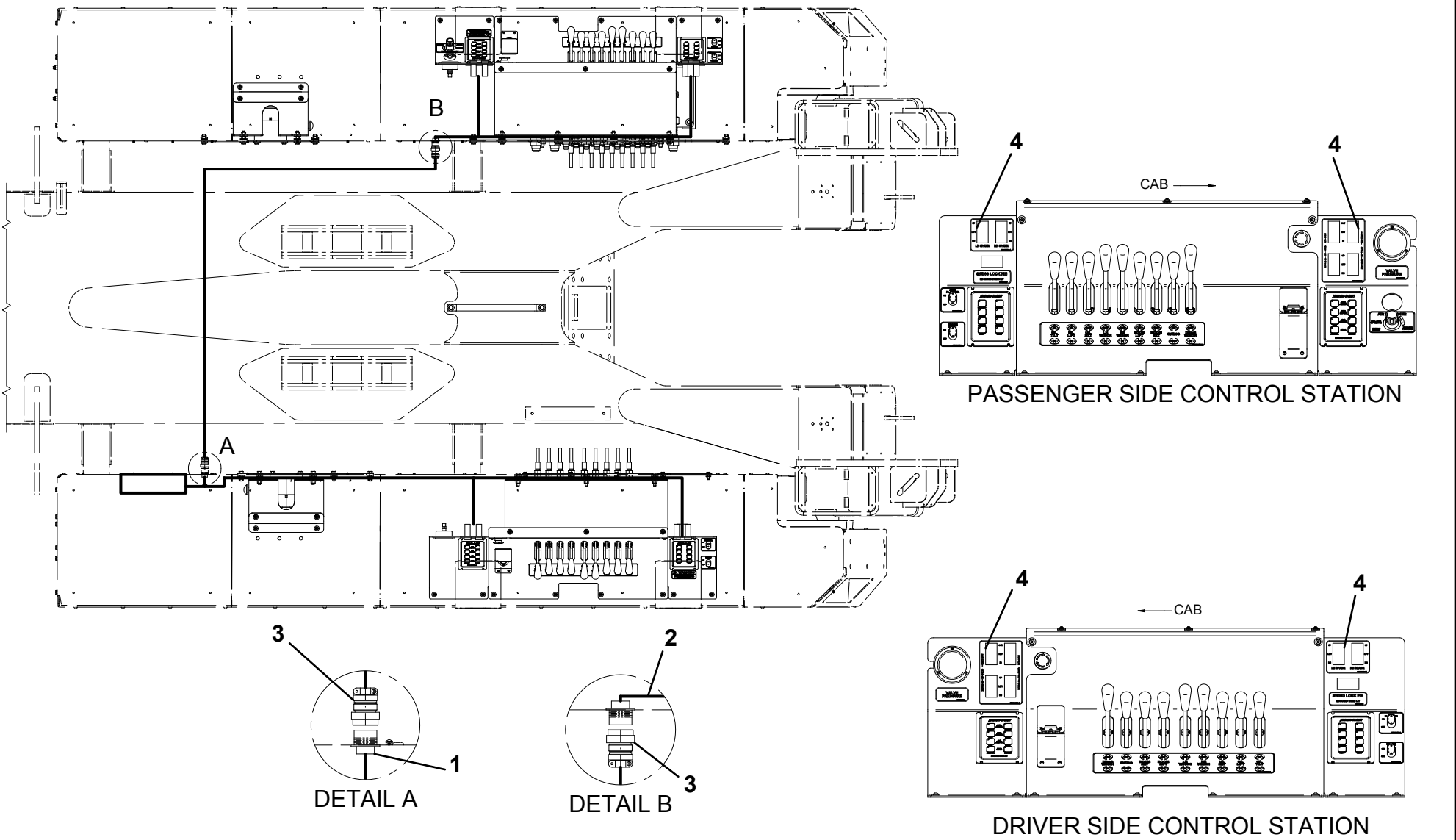
OUTRIGGER CONTROLS INSTALLATION

ITEM	PART NO.	DESCRIPTION	QTY
1	1001134691	Harness, LH	1
2	1001134690	Harness, RH	1
3	1001134727	Harness, Cross Over	1
4	1001136270	Switch, Rocker Momentary	12
5	7740000003	Relay	1
6	7114100618	Capscrew, #10-24NC x 0.75"	1
7	7660102601	Nut, #10-24NC	1
8	1001144012	Harness	2

OUTRIGGER CONTROLS INSTALLATION



OUTRIGGER CONTROLS INSTALLATION



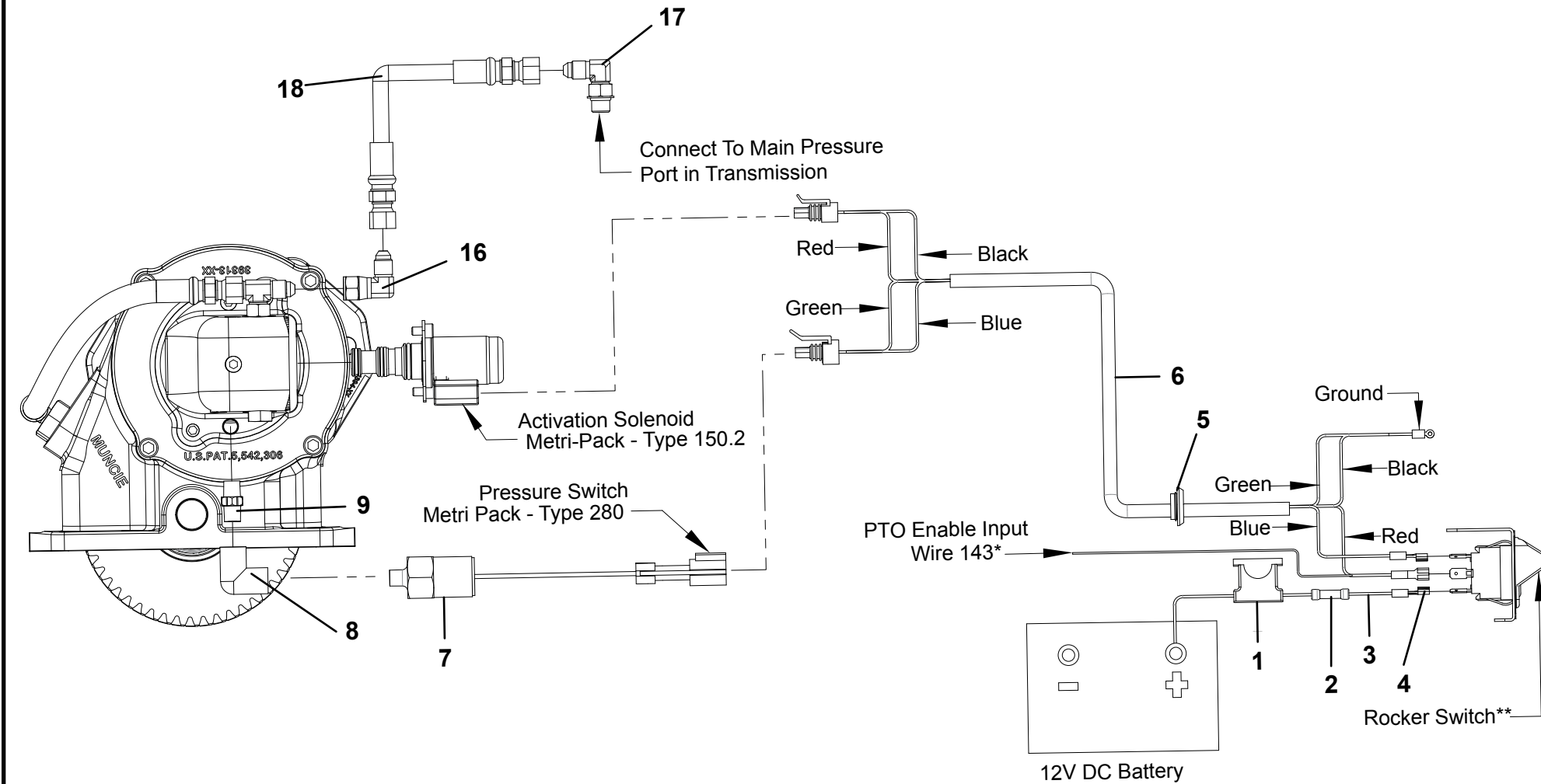
THIS PAGE INTENTIONALLY LEFT BLANK

CS24 SERIES PTO INSTALLATION

ITEM	PART NO.	DESCRIPTION	QTY
1	70050316	Fuse Assembly	
2	70050315	Butt Splice	
3	70050312	Wire	
4	70050314	Connector	
5	70050325	Grommet	
6	70050328	Wire Harness	
7	7870000062	Pressure Switch	
8	70050329	Elbow	
9	70050330	Nipple	
10	70050313	Terminal	
11	70050331	Connector	
12	7706000005	Switch Bracket	
13	7706000001	Face Plate	
14	7870000045	Switch, 12V	
15	70050319	Bolt Kit	
16	7443000431*	Fitting	
17	7443000244*	Fitting	
18	70050468*	Hose	

* Also available as Hose Kit - 70050467

CS24 SERIES PTO INSTALLATION

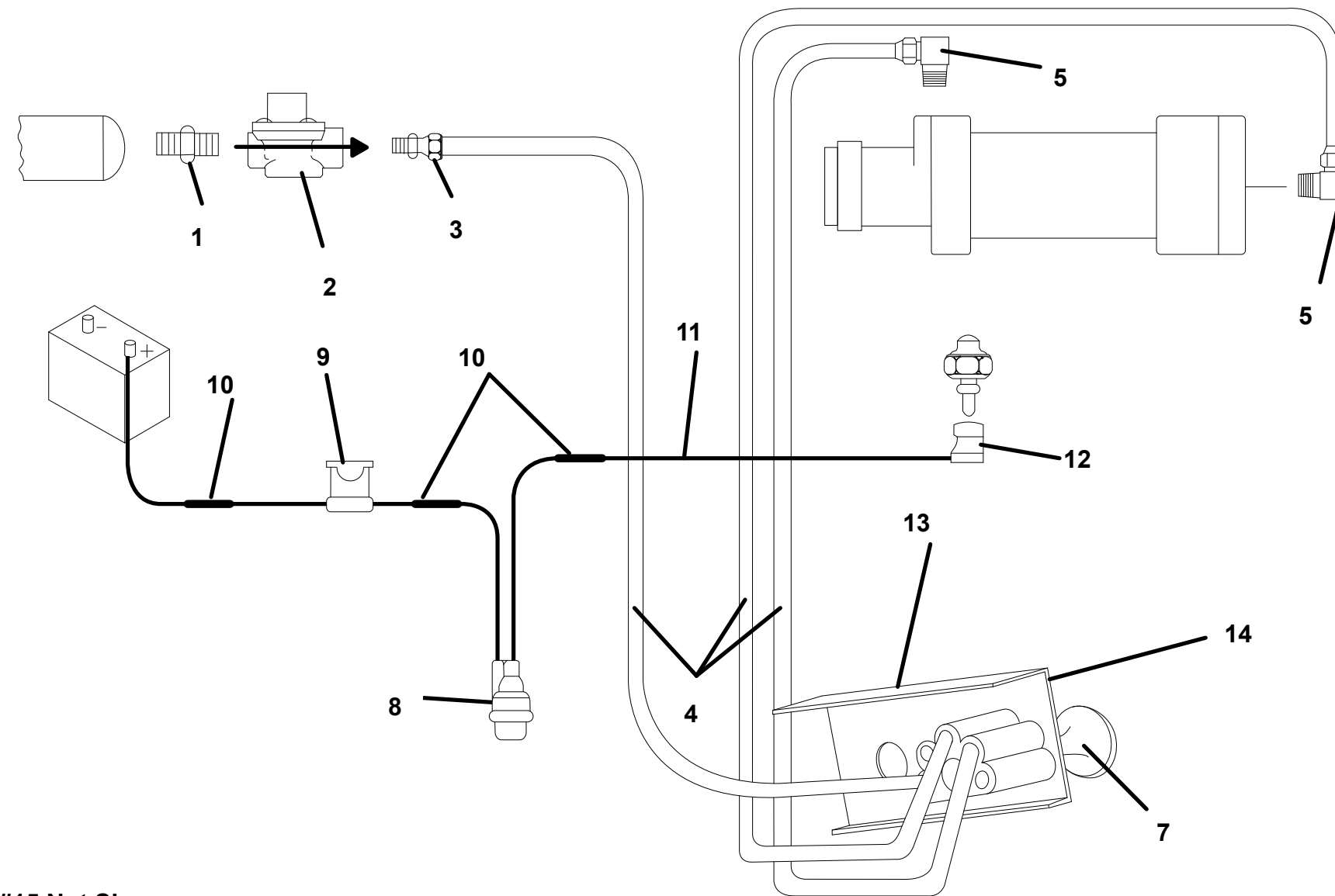


82 SERIES PTO INSTALLATION

ITEM	PART NO.	DESCRIPTION	QTY
1	70050308	Nipple	1
2	9935740034	Valve, Pressure Protection	1
3	70050309	Fitting	1
4	7565000019	Air Tubing - 30Ft	1
5	70050310	Fitting	2
6	70050320	Fitting	1
7	70050567	Valve, Air	1
8	7590000049	12V Light	1
	70050321	24V Light	1
9	70050316	Fuse Assembly	1
10	70050315	Butt Splice	3
11	70050312	Wire	15
12	70050318	Connector	1
13	70050571	Dash Bracket	1
14	70050573	Face Plate	1
15	70050319	Bolt Kit	1

* Also all available as Installation Kit - 9577760232

82 SERIES PTO INSTALLATION

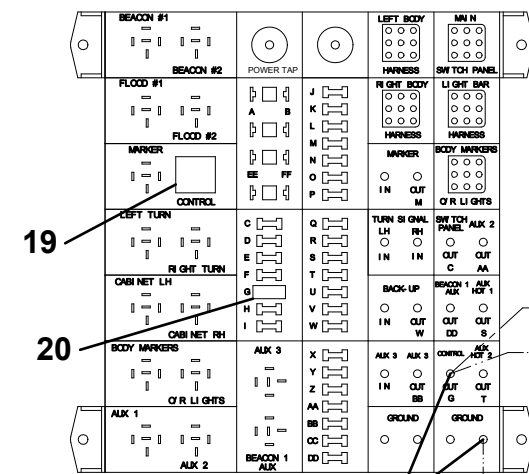
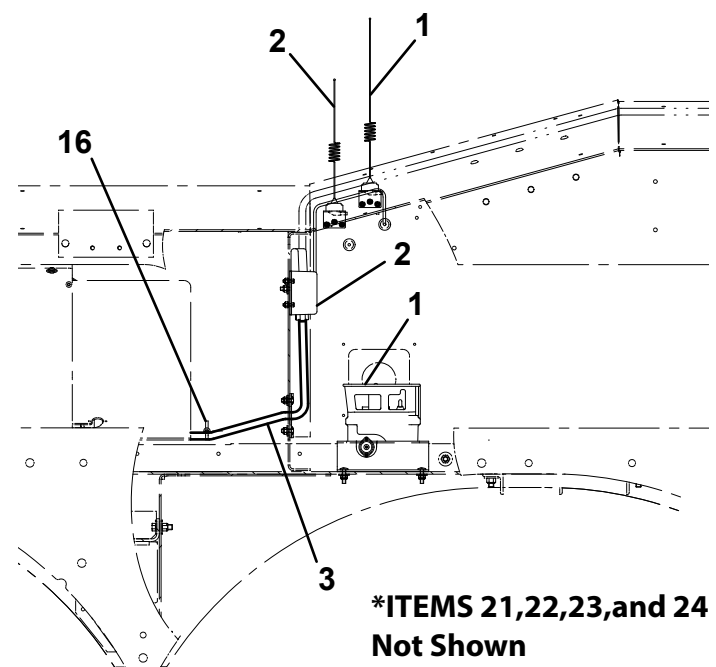
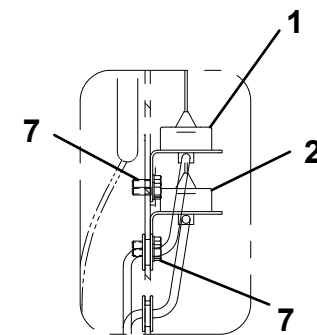
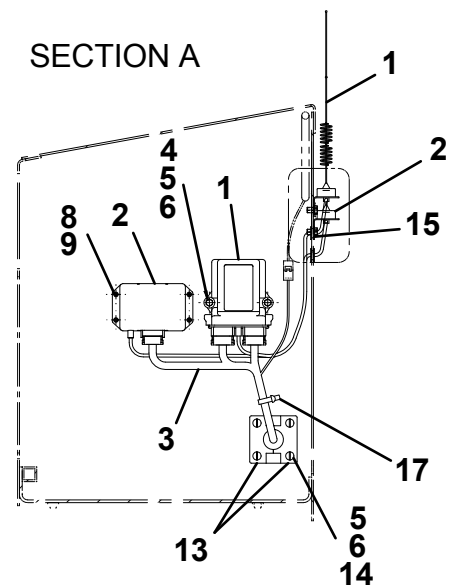
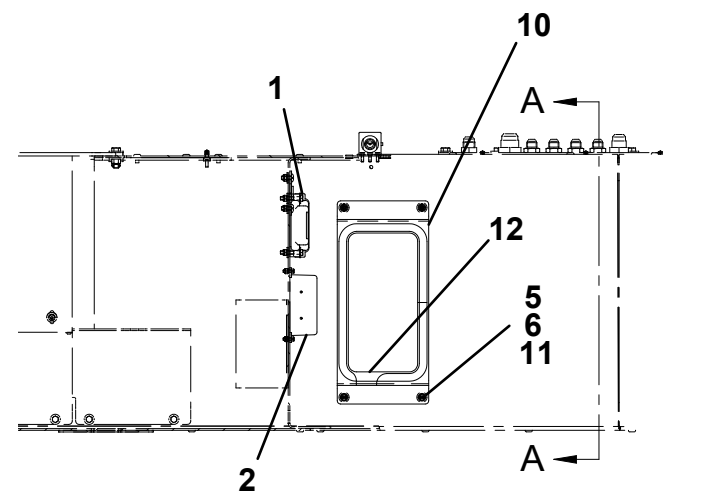


Item #15 Not Shown

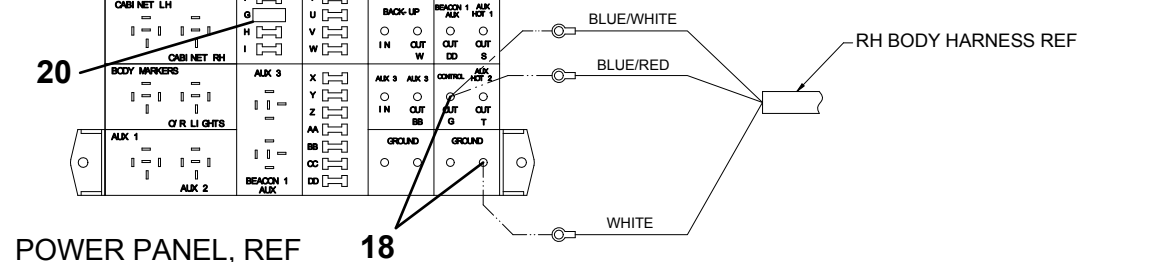
WIRELESS REMOTE INSTALLATION

ITEM	PART NO.	DESCRIPTION	QTY	ITEM	PART NO.	DESCRIPTION	QTY
1	1001143542	Control, Wireless 16 Function	1			CONTROLLER SERVICE PARTS	
2	7295000146	Control, Wireless 6 Function	1				
3	1001130891	Harness	1			1001143542 - Control, Wireless 16 Function	
4	7115141250	Capscrew, 0.25"-20NC x 1.50"	2				
5	7950140161	Flatwasher, 0.25" ID	12			1001143565 Receiver	1
6	7660142601	Locknut, 0.25"-20NC	10			1001143564 Transmitter	1
7	7790100856	Screw, #10 x 0.50"	6			9295310061 Antenna Kit	1
8	7114100518	Capscrew, #10-24NC x 0.62"	4			9552310033 Tether - 25 Ft	1
9	7660102604	Locknut, #10-24NC	4				
10	4178000699	Bracket	1			7295000146 - Control, Wireless 6 Function	
11	7111140813	Screw, 0.25"-20NC x 1.00"	4			9295310027 Transmitter	1
12	8632000012	Trim Lock	2.5ft			9295310029 Transmitter Rubber Boot	1
13	3314000010	Cover Plate	2			9295310030 Transmitter Belt Clip	1
14	7111140613	Screw, 0.25"-20NC x 0.75"	4			9295310031 Transmitter Battery Retainer	1
15	7493000020	Grommet	2			9295310068 Receiver	1
16	7894000004	Tie Strap	1			9295310069 Antenna Kit	1
17	5526000553	Tie Strap	5				
18	7661000023	Locknut, #10-32NF	2				
19	7740000001	Relay, 40 Amp	1				
20	7457000006	Fuse, 15 Amp	1				
21	7075000006	Battery, D 1.5V	3				
22	7075000003	Battery, 9V	1				
23	7120000047	Screw, #4-40NC x 0.62"	2				
24	7660040000	Nut, #4-40NC	2				

WIRELESS REMOTE INSTALLATION

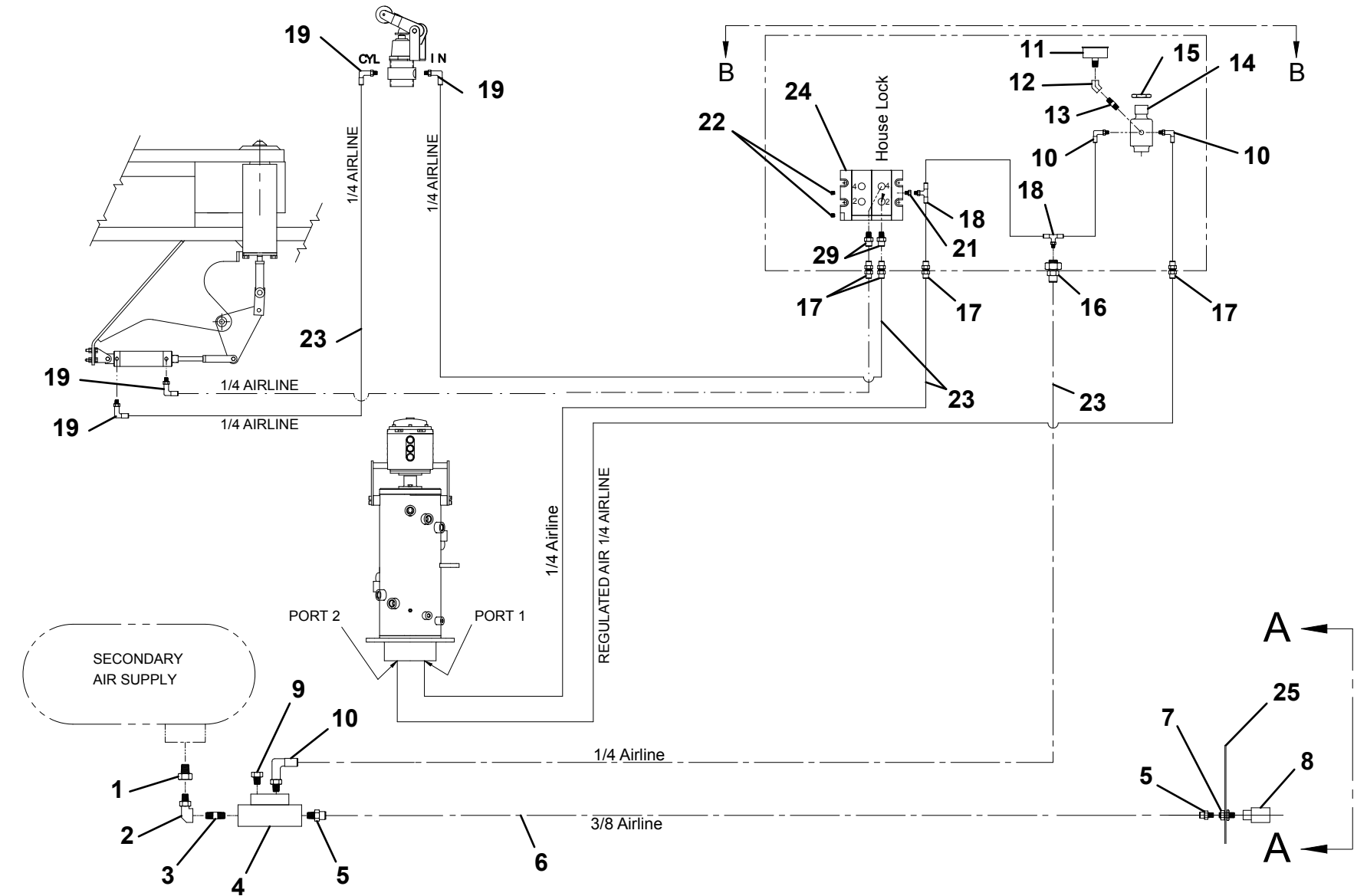


POWER & GROUND TO WIRELESS REMOTE		
CIRCUIT	COLOR	FUNCTION
5	BLUE/WHITE	PILOT SOLENOID
25	WHITE	GROUND RH BODY
26	BLUE/RED	CONTROL FUNCTION

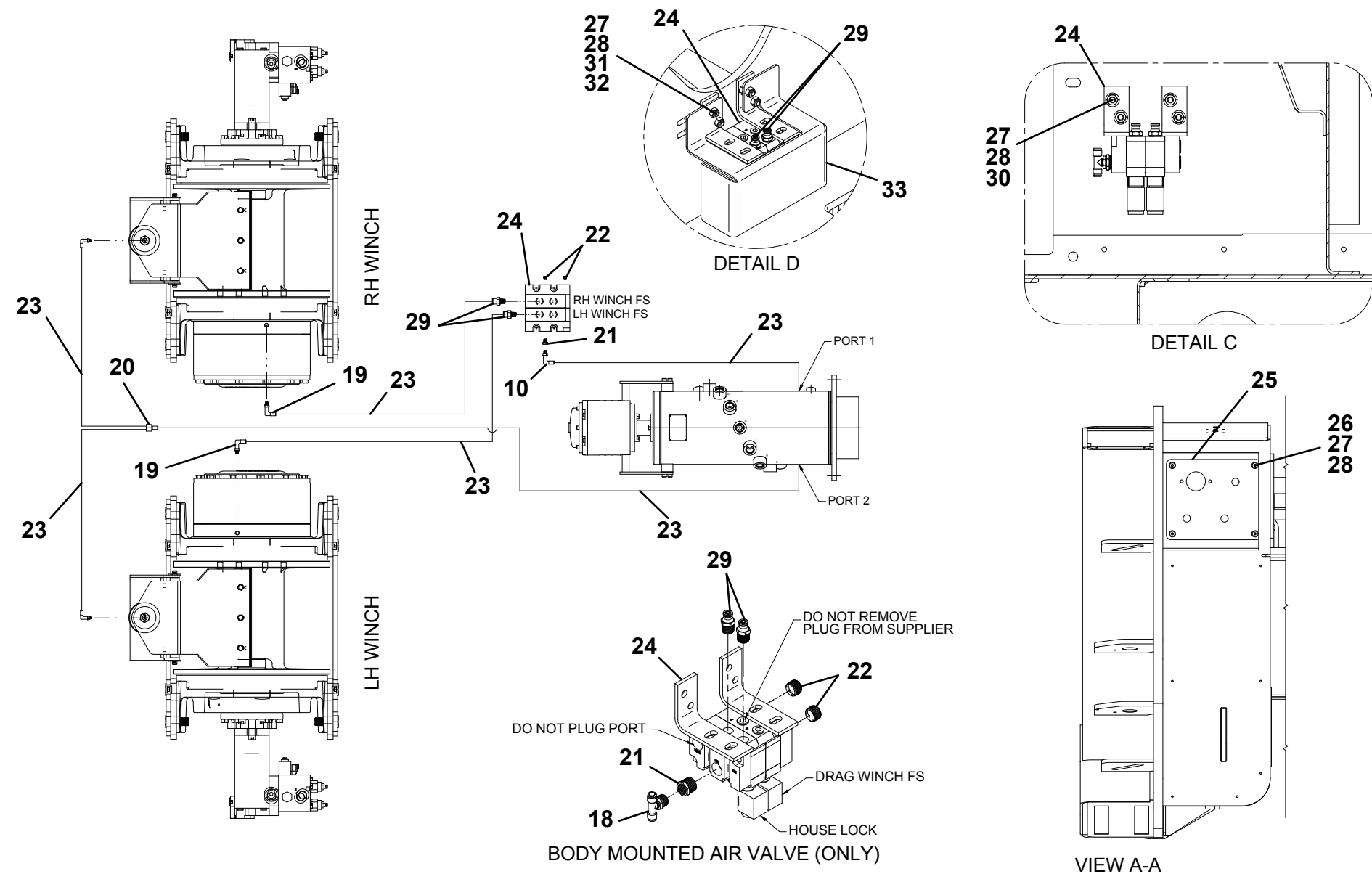


AIR INSTALLATION

ITEM	PART NO.	DESCRIPTION	QTY
1	7443000154	Bushing	1
2	7443000155	Fitting	1
3	7443000156	Nipple	1
4	7935000120	Valve, Pressure Protection Valve	1
5	7443000175	Fitting	2
6	7565000014	Airline Tubing, 0.38" OD	30ft
7	7446502518	Fitting, Bulkhead	1
8	7312000017	Coupling, Quick Disconnect	1
9	7444020013	Plug	1
10	7443000139	Fitting	4
11	7470000006	Gauge, Air Pressure	1
12	7443000396	Fitting	1
13	7443000397	Fitting	1
14	7295000029	Air Regulator	1
15	7661000041	Panel	1
16	7443000243	Fitting	1
17	7443000178	Union, Bulkhead	4
18	7443000270	Fitting	2
19	7443000173	Fitting	6
20	7443000448	Fitting	1
21	7443000148	Bushing	2
22	7444030037	Plug	4
23	7565000016	Airline Tubing, 0.25"	200ft
24	1001129800	Air Valve	2
25	4706006033	Plate	1
26	7114150818	Capscrew, 0.31"-18NC x 1.00"	4
27	7950150143	Flatwasher, 0.31"ID	16
28	7660152604	Locknut, 0.31"-18NC	12
29	7443000329	Fitting	4
30	7115150850	Capscrew, 0.31"-18NC x 1.00"	4
31	7660150001	Nut, 0.31"-18NC	4
32	7115151250	Capscrew, 0.31"-18NC x 1.50"	4
33	1001135301	Shield, Air Valve	1

AIR INSTALLATION

AIR INSTALLATION

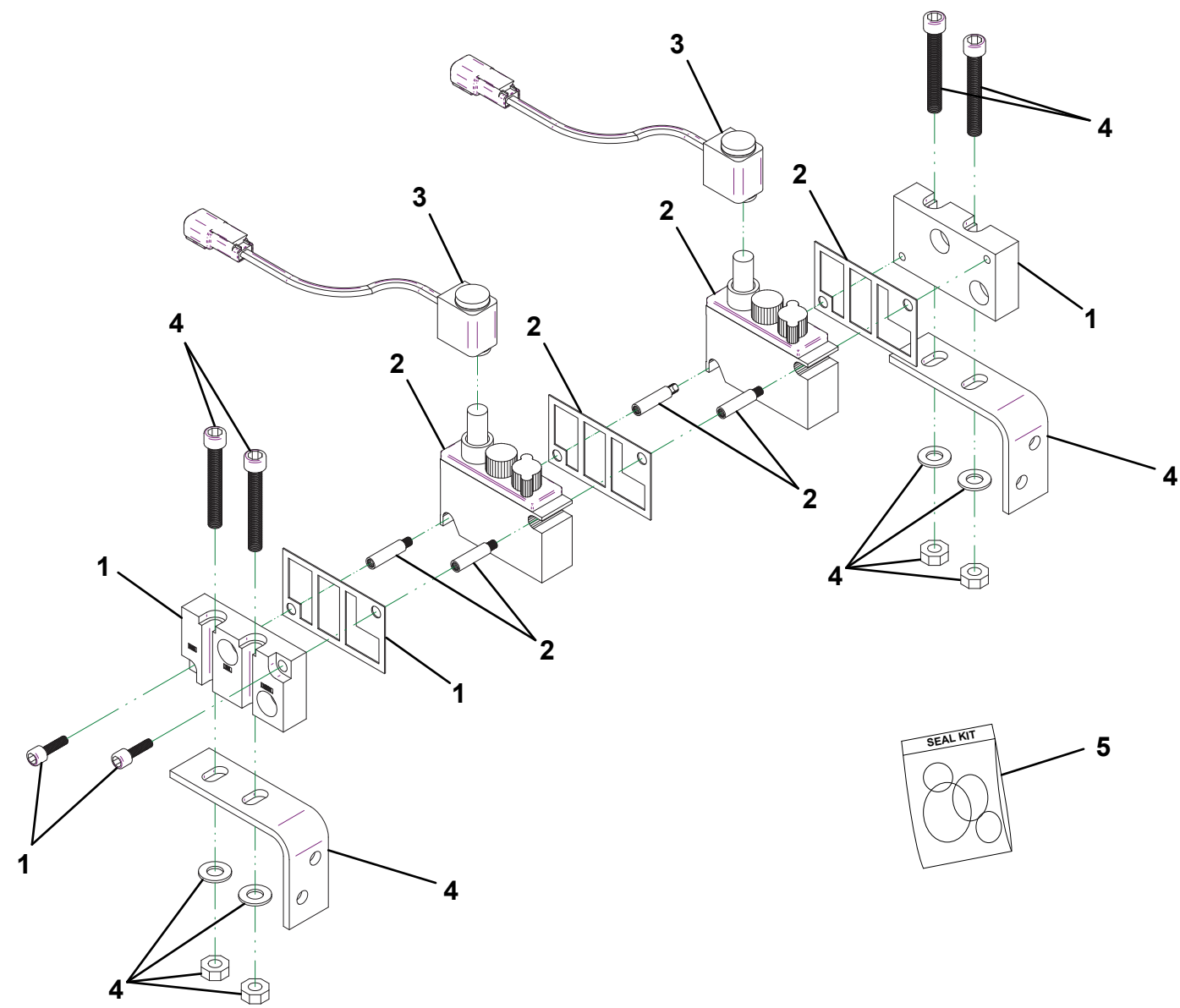


THIS PAGE INTENTIONALLY LEFT BLANK

AIR VALVE - 1001129800

ITEM	PART NO.	DESCRIPTION	QTY
1	70050526	Kit, Stacking	1
2	70050527	Valve	2
3	70050528	Coil	2
4	70050529	Kit, Mounting Bracket	1
5	70050530	Kit, Spool Seal	2

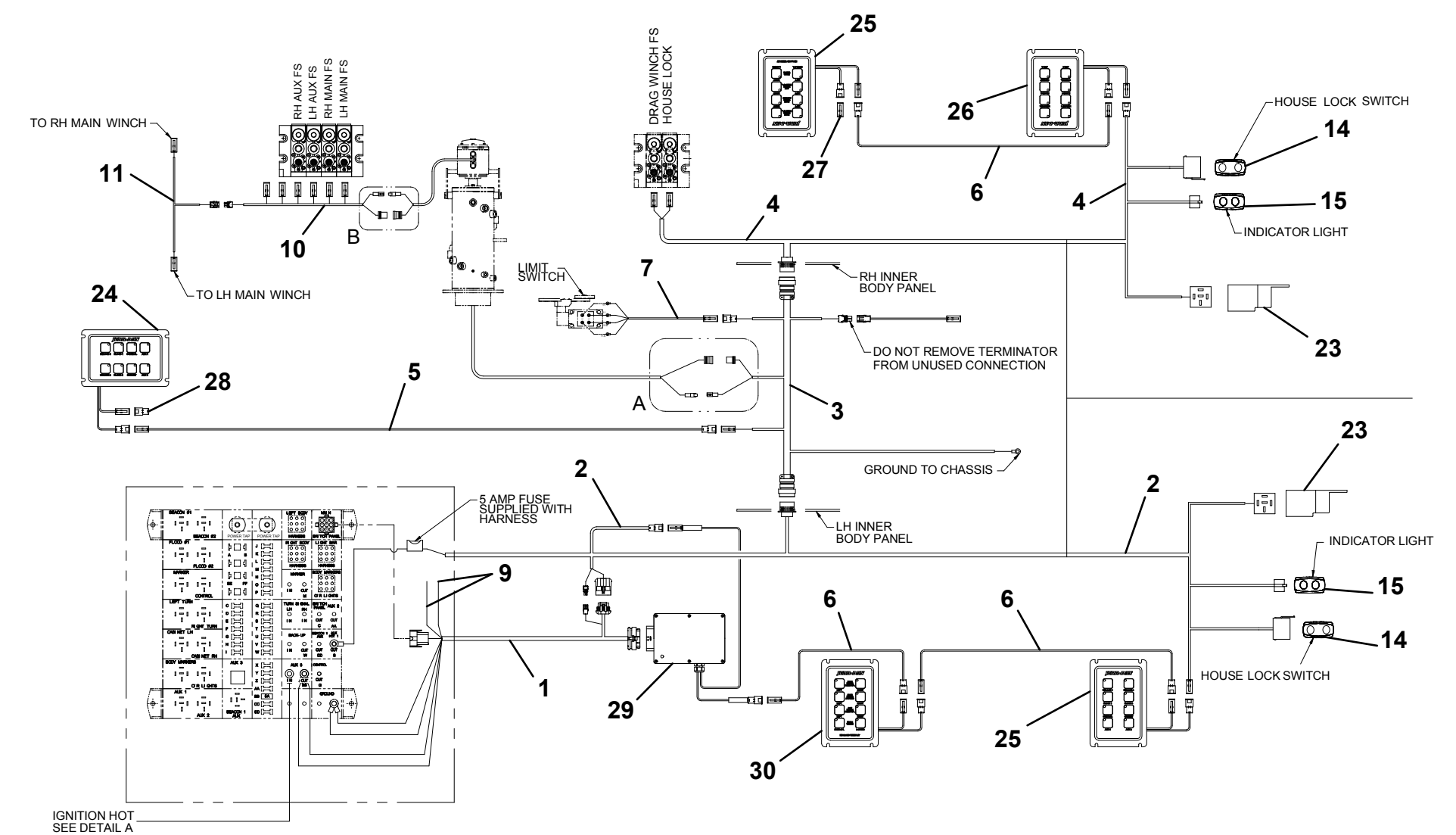
AIR VALVE - 1001129800



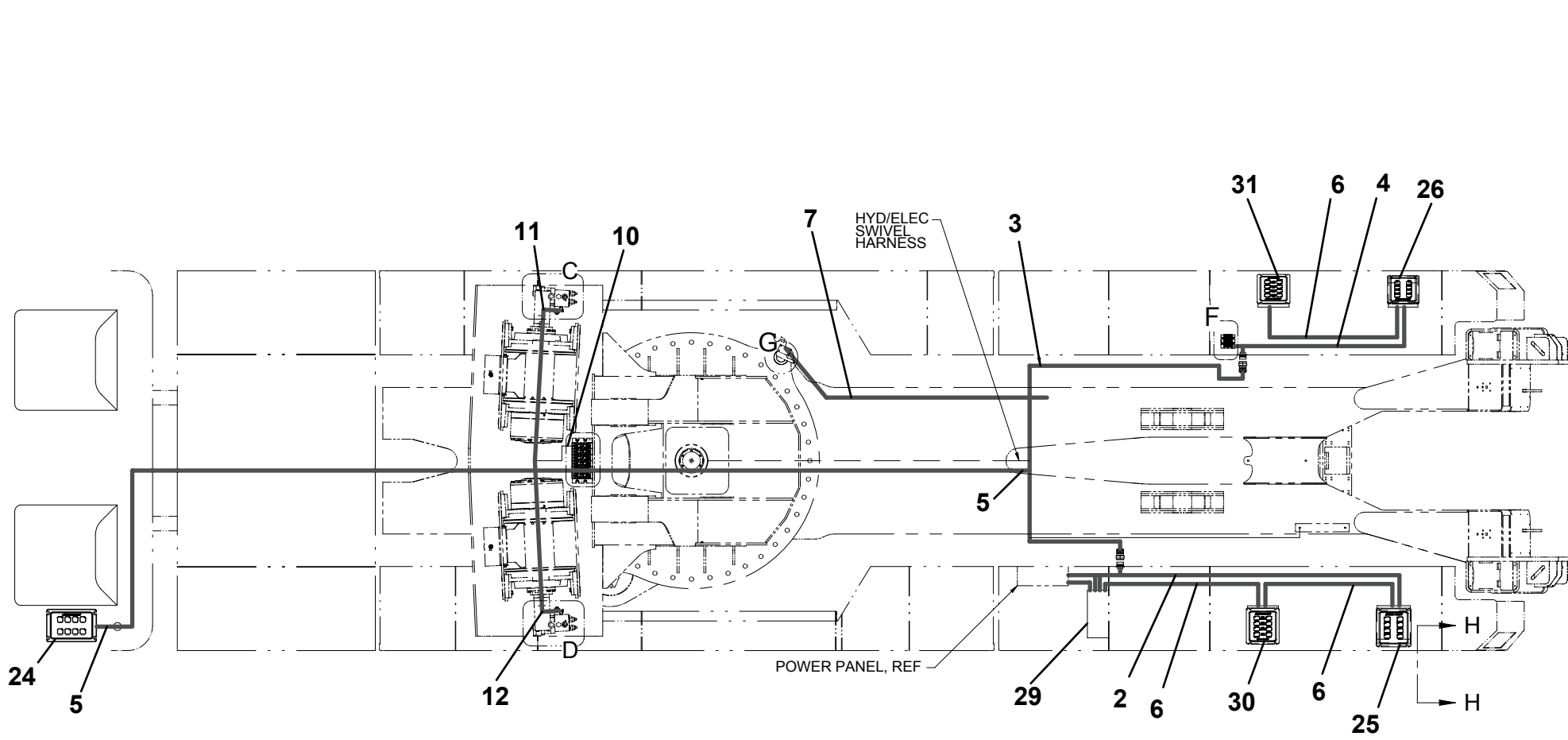
M-PLEX ELECTRICAL INSTALLATION

ITEM	PART NO.	DESCRIPTION	QTY
1	7552000460	Harness	1
2	1001154065	Harness	1
3	1001154066	Harness	1
4	1001154067	Harness	1
5	7552000455	Harness	1
6	7552000456	Harness	3
7	1001154068	Harness	1
8	7661000024	Nut, #10-24NC	4
9	7346000039	Tube, 0.25"ID	48in
10	1001130883	Harness	1
11	1001130884	Harness	1
12	7740000001	Relay	1
13	7457000019	Fuse	1
14	1001154073	Switch	2
15	1001154074	Elec Assy, Illuminated Plug	2
16	7114100418	Capscrew, #10-24NC x 0.50"	24
17	7950100103	Flatwasher, #10 ID	24
18	7660102604	Locknut, #10-24NC	20
19	4686000253	Panel	1
20	4686000254	Panel	1
21	7790141651	Screw, 0.25" x 1.00"	4
22	7950140141	Flatwasher, 0.25"	4
23	3740080	Relay	2
24	7870000155	Switch Panel	1
25	7870000159	Switch Panel	1
26	1001135134	Switch Panel	1
27	7346000276	Harness Terminal	1
28	7346000277	Harness Terminal	1
29	1001135089	Control, Switch Panel	1
30	1001134354	Switch Panel	1
31	1001135136	Switch Panel	1

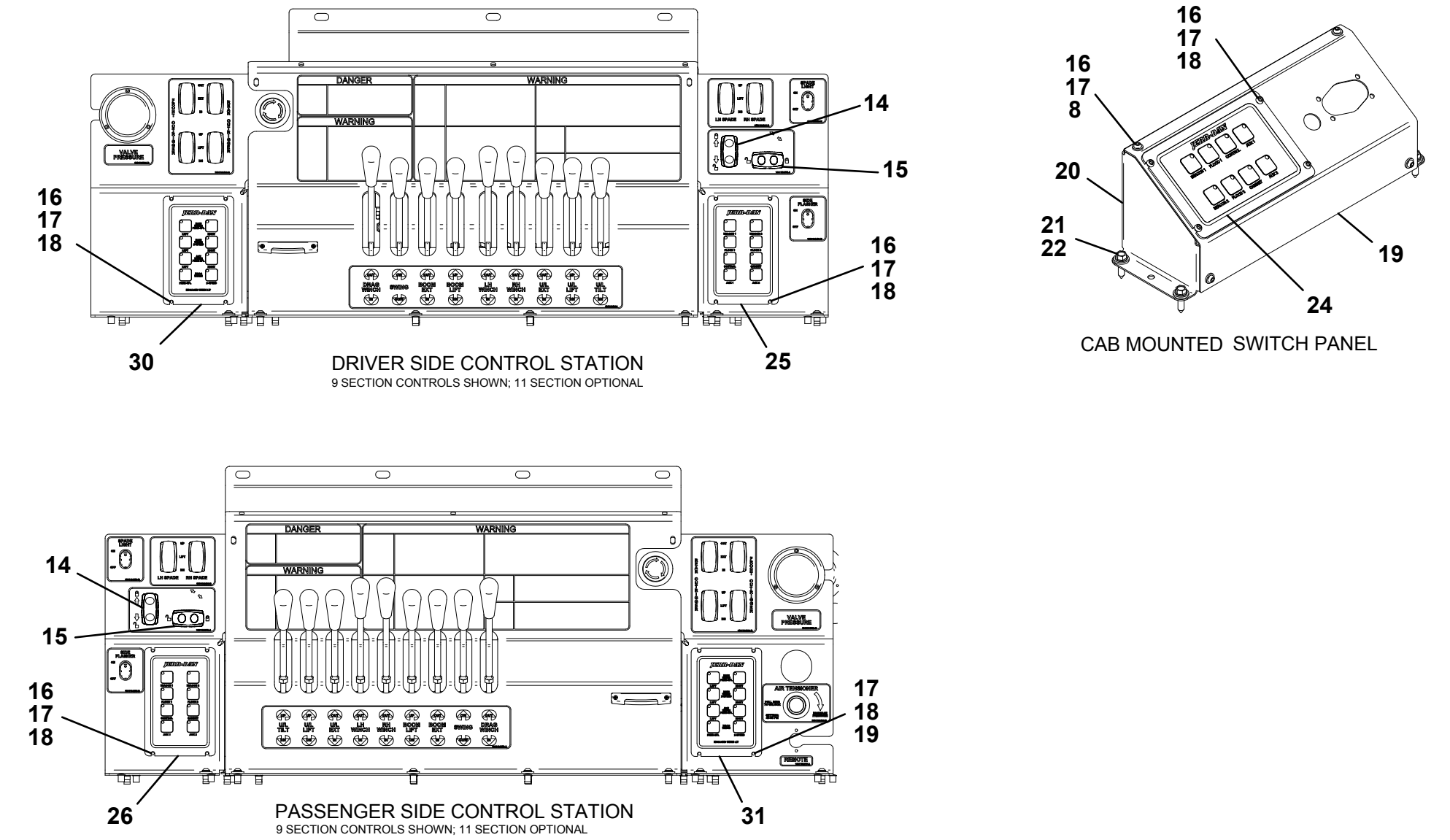
M-PLEX ELECTRICAL INSTALLATION



M-PLEX ELECTRICAL INSTALLATION



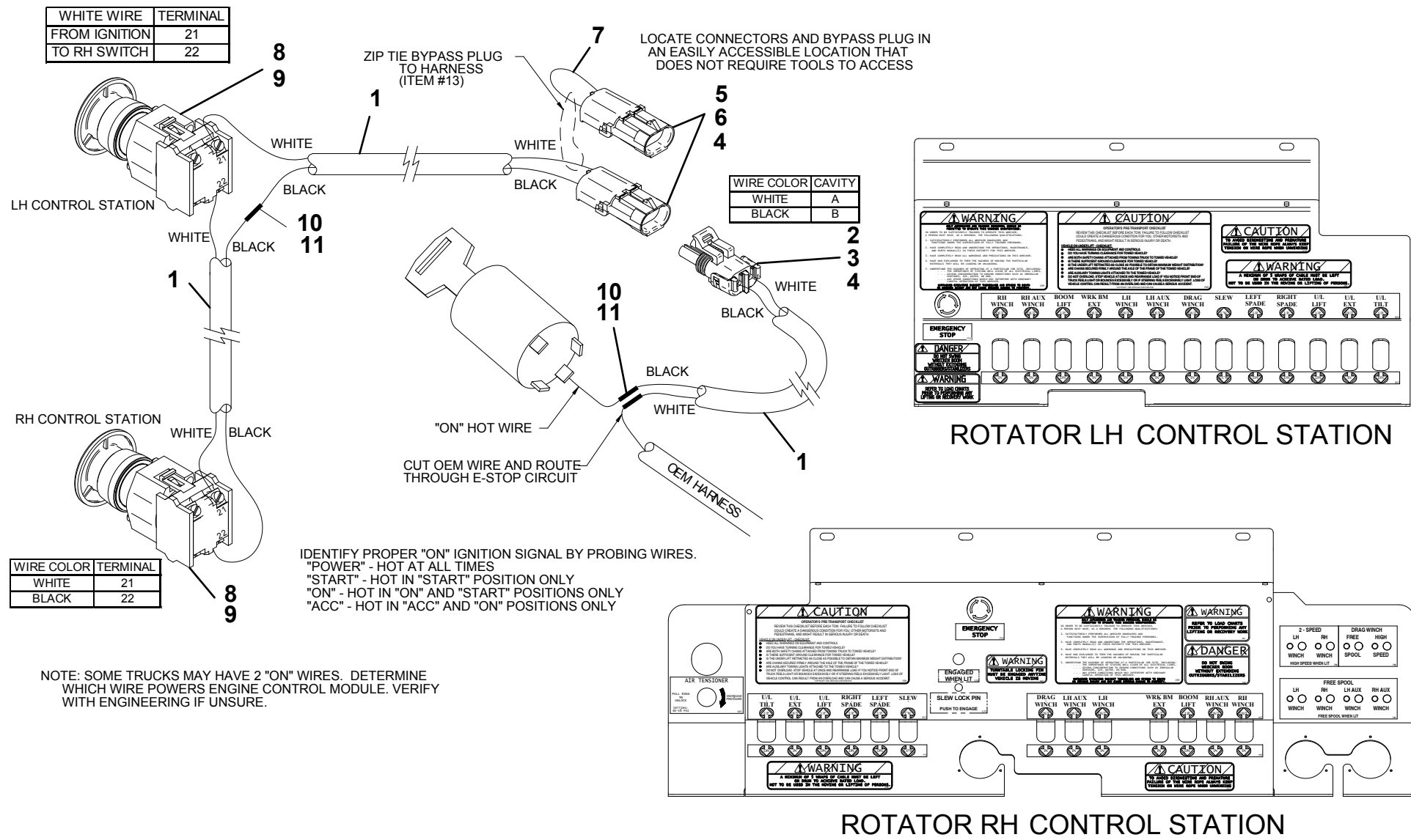
M-PLEX ELECTRICAL INSTALLATION



EMERGENCY STOP INSTALLATION

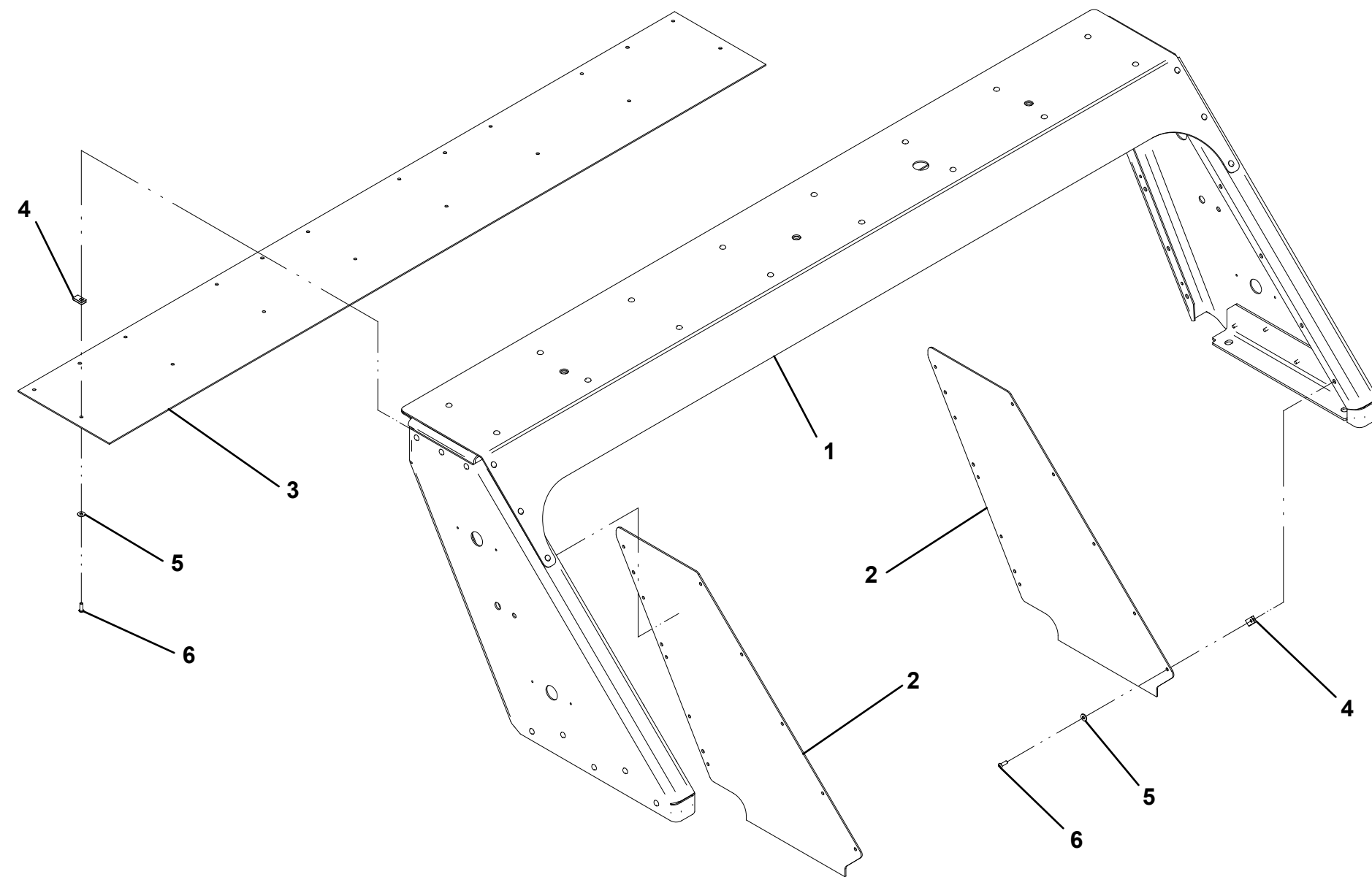
ITEM	PART NO.	DESCRIPTION	QTY
1	8977010103	#16 GA Wire, 2 Conductor	40ft
2	7346000094	Connector	1
3	7346000035	Terminal	2
4	7346000037	Cable Seal	6
5	7346000087	Connector	2
6	7346000099	Terminal	4
7	8977500100	#16 GA Wire, Black	.25ft
8	7870000128	Switch, Pushbutton	2
9	7870000129	Switch, Contact Block	2
10	7345001704	Terminal	3
11	7346000039	Tubing	.125ft
12	7330000755	Decal	2
13	5526000553	Tie Strap	1

EMERGENCY STOP INSTALLATION



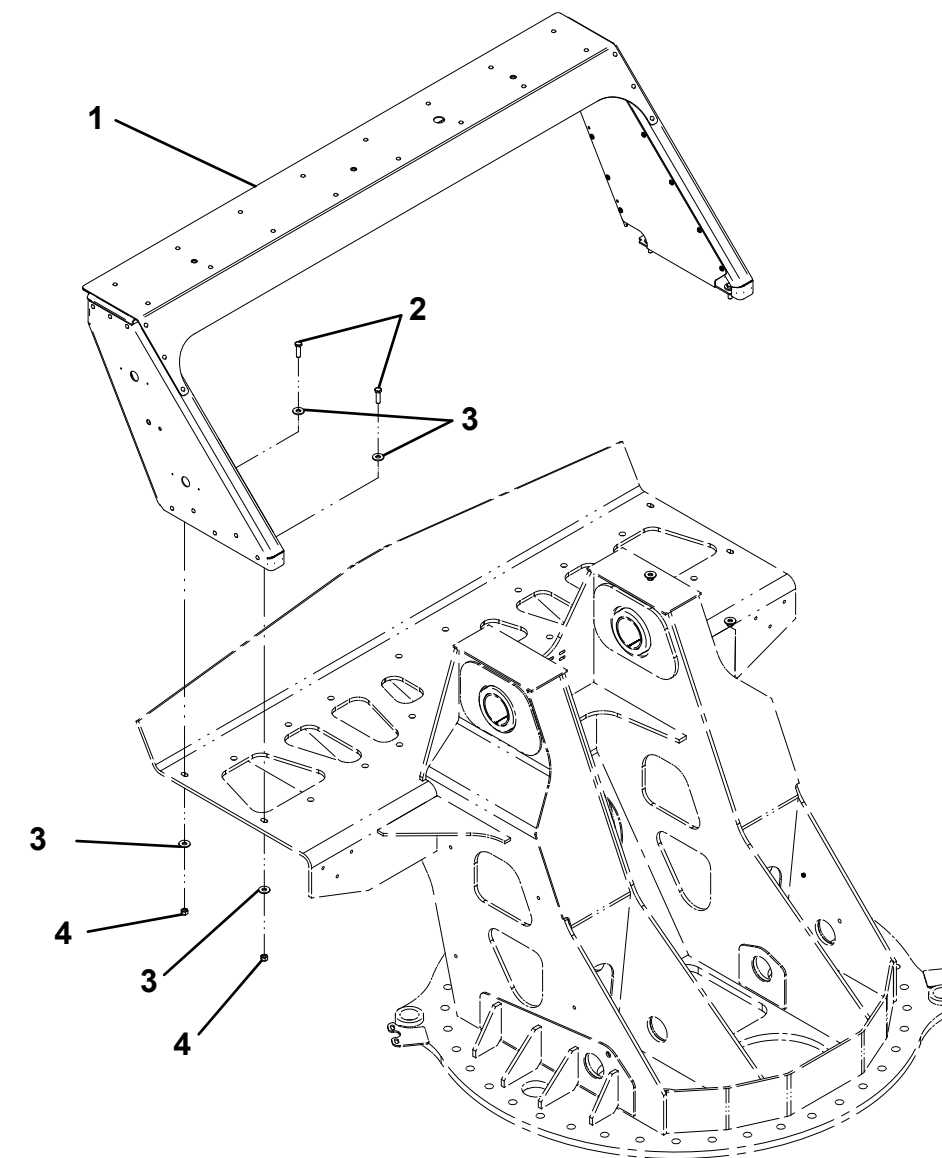
HEADBOARD ASSEMBLY - 1001150180

ITEM	PART NO.	DESCRIPTION	QTY
1	1001150151	Headboard Bondment	1
2	1001129818	Panel, Headboard Cover LH & RH	2
3	1001129820	Panel, Headboard Cover Top	1
4	7661000019	U-Nut, 0.25"-20NC	36
5	7950140143	Flatwasher, 0.25" ID	36
6	7114140618	Capscrew, 0.25"-20NC x 0.75"	36

HEADBOARD ASSEMBLY - 1001150180

HEADBOARD INSTALLATION - 1001150422

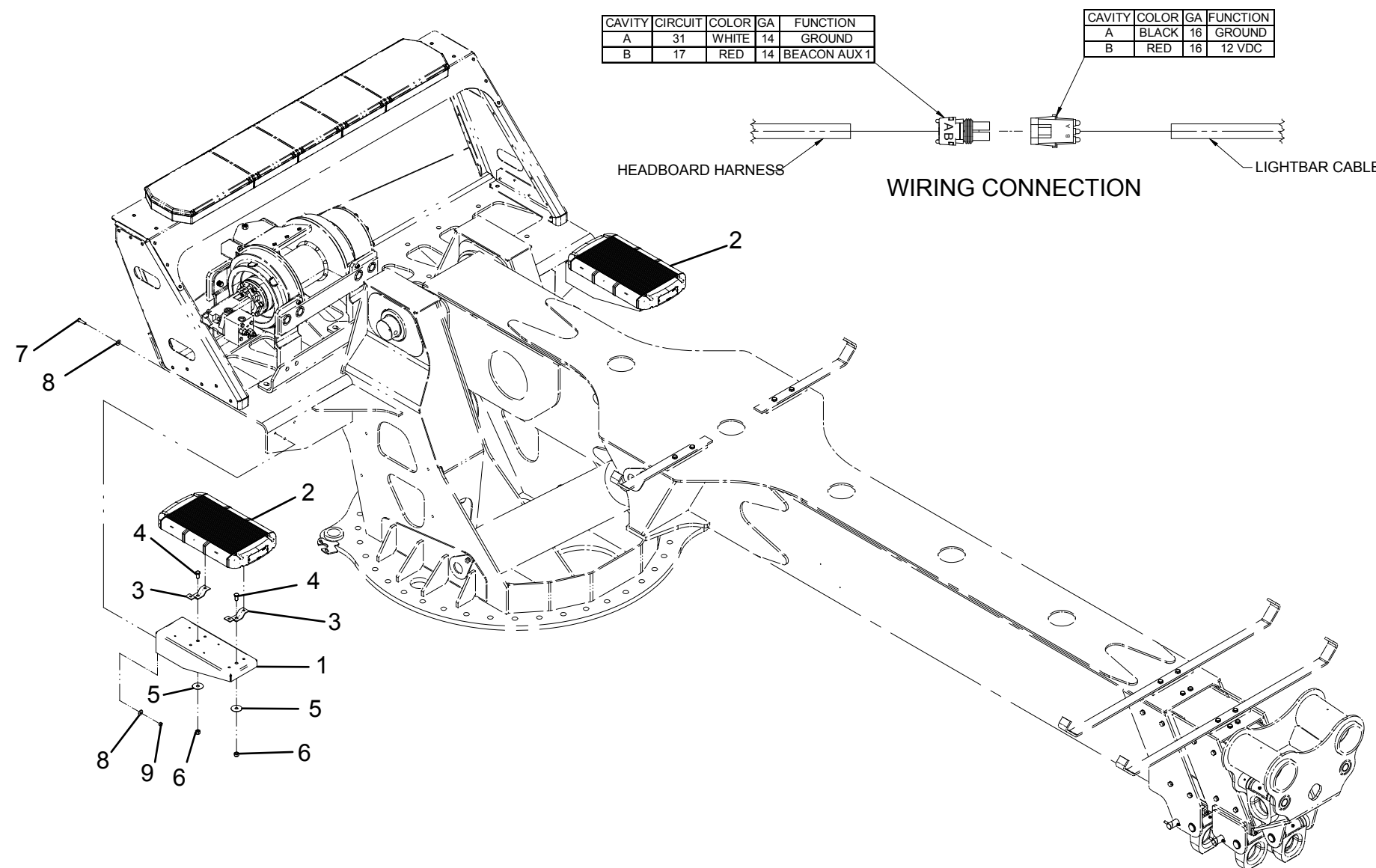
ITEM	PART NO.	DESCRIPTION	QTY
1	1001150180	Headboard, Assembly	1
2	7115181450	Capscrew, 0.50"-13NC x 1.75"	4
3	7950180161	Flatwasher, 0.50" ID	8
4	7660182601	Locknut, 0.50"-13NC	4

HEADBOARD INSTALLATION - 1001150422

WING LIGHT INSTALLATION - 1001129862

ITEM	PART NO.	DESCRIPTION	QTY
1	1001129828	Bracket	2
2	1001129861	Light Bar, 22" WHELEN	2
3	4178000402	Bracket	4
4	7115180850	Capscrew, 0.50"-13NC x 1.00"	4
5	7949000072	Washer, 2.00" OD x 0.50" ID	4
6	7660182601	Locknut, 0.50"-13NC	4
7	7115161250	Bolt, 0.38"-16NC x 1.50"	6
8	7950160161	Flatwasher, 0.38" ID	12
9	7660162601	Locknut, 0.38"-16NC	6
10	7894000042	Tie Strap	4

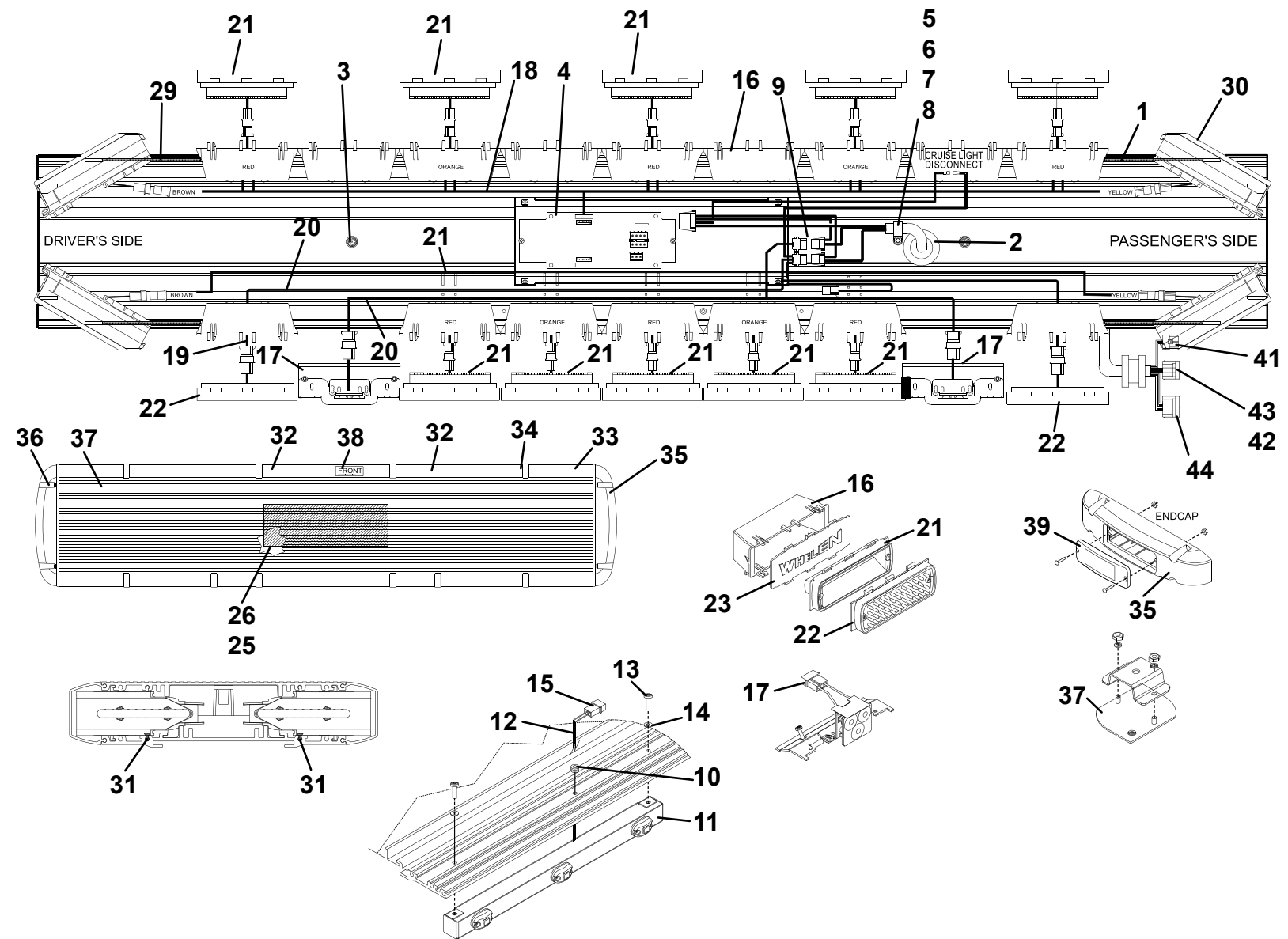
WING LIGHT INSTALLATION - 1001129862



LIGHTBAR 72" LED - WHELEN

ITEM	PART NO.	DESCRIPTION	QTY	ITEM	PART NO.	DESCRIPTION	QTY
1	70050392	Base	1	40	70050207	Label, Model & Serial Number	1
2	70050169	Grommet	1	41	70050208	Connector	1
3	70050170	Plug	2	42	70050209	Connector	1
4	70050163	Assembly, HC I/O Liberty, Jerr-Dan	1	43	70050210	Connector	1
5	70050171	Cable	1	44	70050211	Connector	1
6	70050172	Screw, #10-24NC x 1.00"	1				
7	70050393	Clamp	1				
8	70050174	Wiznut, #10-24NC	1				
9	70050175	Housing	2				
10	70050176	Grommet	1				
11	70050177	Light Cluster	1				
12	70050178	Harness	1				
13	70050179	Screw, #10-32NF x 0.50"	2				
14	70050180	Washer, #10 ID	2				
15	70050181	Housing	1				
16	70050182	Housing	16				
17	70050183	LR11 TD Single Full 20 Deg.	2				
18	70050394	Harness	2				
19	70050185	Harness	1				
20	70050186	Harness	1				
21	70050187	Light Assembly, LED	10				
22	70050188	500 BTT Max	2				
23	70050189	Panel	4				
24	70050190	End Support Bracket	2				
25	70050191	Insulator	1				
26	70050192	Decal	1				
27	70050395	Top Cover	1				
28	70050194	Screw, #10-24NC x 0.38"	4				
29	70050195	Spacer	4				
30	70050196	Corner LED Assembly	4				
31	70050197	Spacer	4				
32	70050199	Lens	6				
33	70050200	Lens	4				
34	70050201	Lens Divider	8				
35	70050202	End Cap	2				
36	70050203	Screw, #10-24NC x 1.25"	8				
37	70050204	Rotational MTG Adapter	3				
38	70050205	Label, "Front"	1				
39	70050206	Label, Jerr-Dan Logo	1				

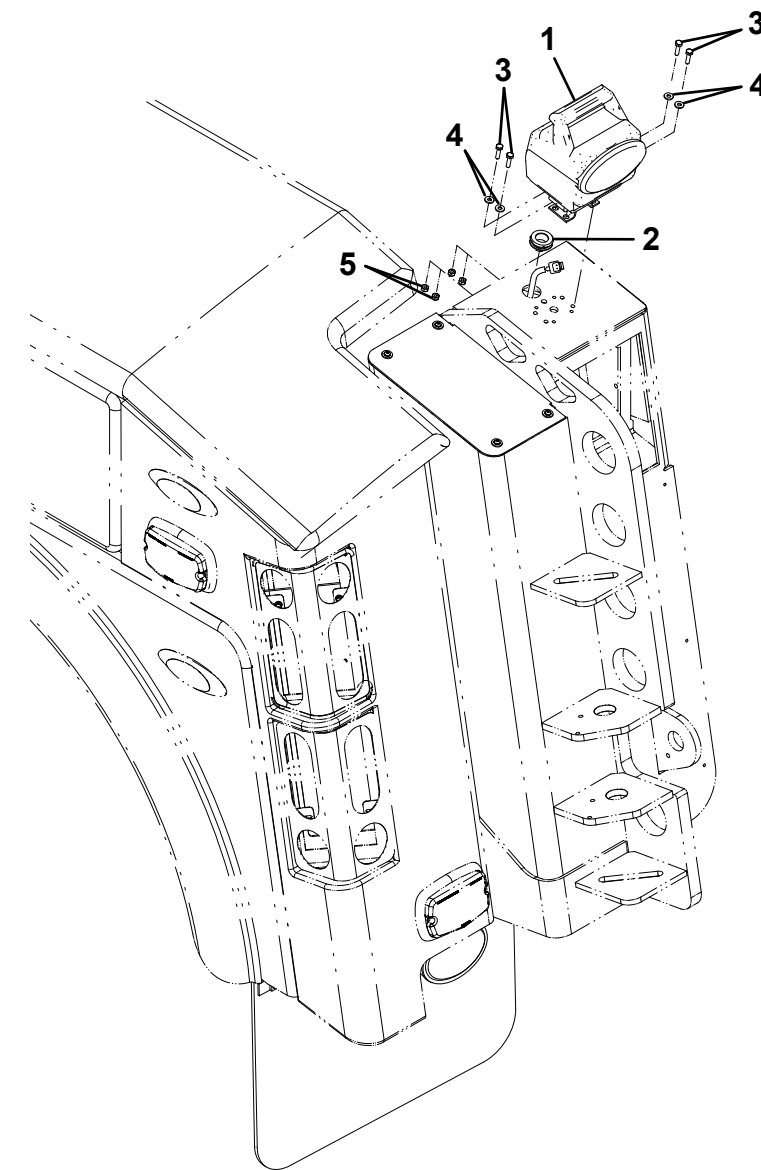
LIGHTBAR 72" LED - WHELEN



UPPER HOOK-UP LIGHTS INSTALLATION

ITEM	PART NO.	DESCRIPTION	QTY
1	1001131171	Lamp	2
2	7493000003	Grommet	2
3	7115140850	Capscrew, 0.25"-20NC x 1.00"	8
4	7950140143	Flatwasher, 0.25" ID	8
5	7660142604	Locknut, 0.25"-20NC	8
6	7894000010	Tie Strap	6

UPPER HOOK-UP LIGHTS INSTALLATION



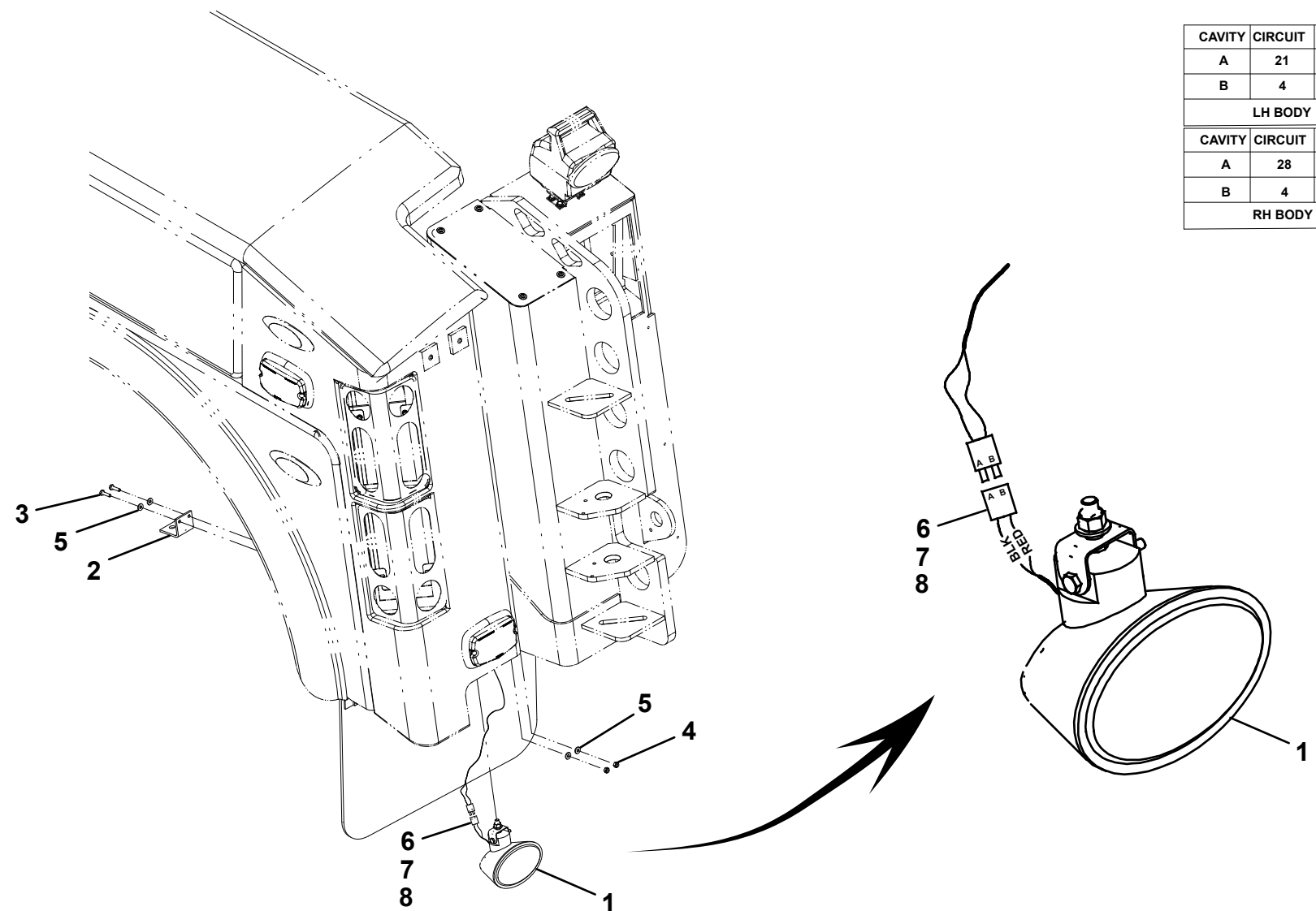
CAVITY	CIRCUIT	FUNCTION
1	21	GROUND
2	4	FLOOD 2
LH BODY		
CAVITY	CIRCUIT	FUNCTION
1	28	GROUND
2	4	FLOOD 2
RH BODY		

Item #6, Not Shown

LOWER HOOK-UP LIGHTS INSTALLATION

ITEM	PART NO.	DESCRIPTION	QTY
1	1001131160	Lamp	1
2	4178000659	Bracket	2
3	7115140850	Capscrew, 0.25"-20NC x 1.00"	4
4	7660142601	Locknut, 0.25"-20NC	4
5	7950140143	Flatwasher, 0.25" ID	8
6	7346000094	Electrical Connector	2
7	7346000035	Electrical Terminal	4
8	7346000037	Electrical Seal	4
9	7274000026	Clamp	6
10	8597650002	Wire Loom	1ft
11	7894000010	Tie Strap	6

LOWER HOOK-UP LIGHTS INSTALLATION



CAVITY	CIRCUIT	FUNCTION
A	21	GROUND
B	4	FLOOD 2
LH BODY		

CAVITY	CIRCUIT	FUNCTION
A	28	GROUND
B	4	FLOOD 2
RH BODY		

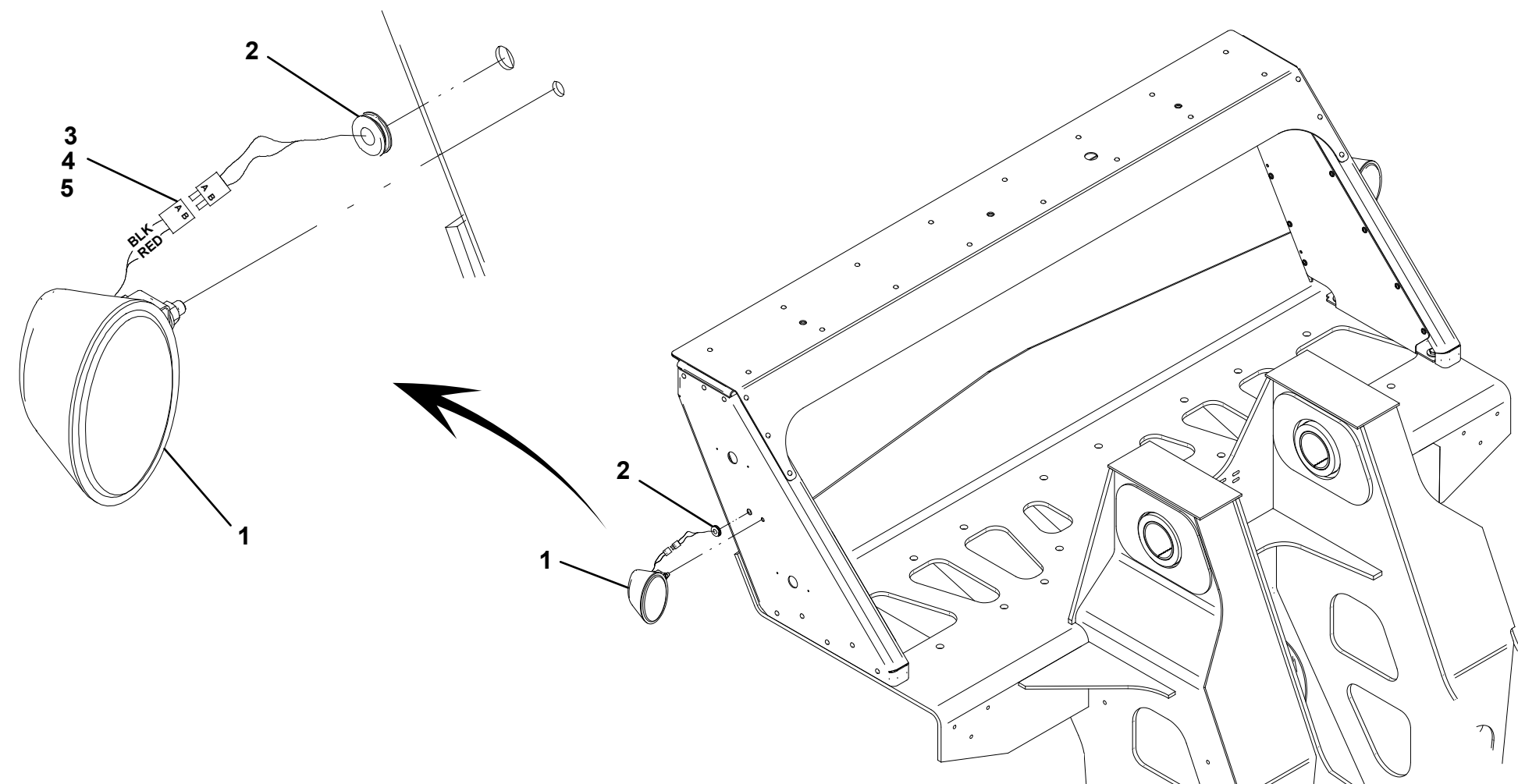
Items #9, #10 and #11, Not Shown

UPPER WORK LIGHTS INSTALLATION

ITEM	PART NO.	DESCRIPTION	QTY
1	1001131160	Lamp	2
2	7493000021	Grommet	2
3	7346000094	Electrical Connector	2
4	7346000035	Electrical Terminal	4
5	7346000037	Electrical Seal	4
6	8597650002	Wire Loom	1ft
7	7894000010	Tie Strap	6

UPPER WORK LIGHTS INSTALLATION

CAVITY	CIRCUIT	FUNCTION
A	30	GROUND
B	3	FLOOD 1



Items #6, and #7, Not Shown

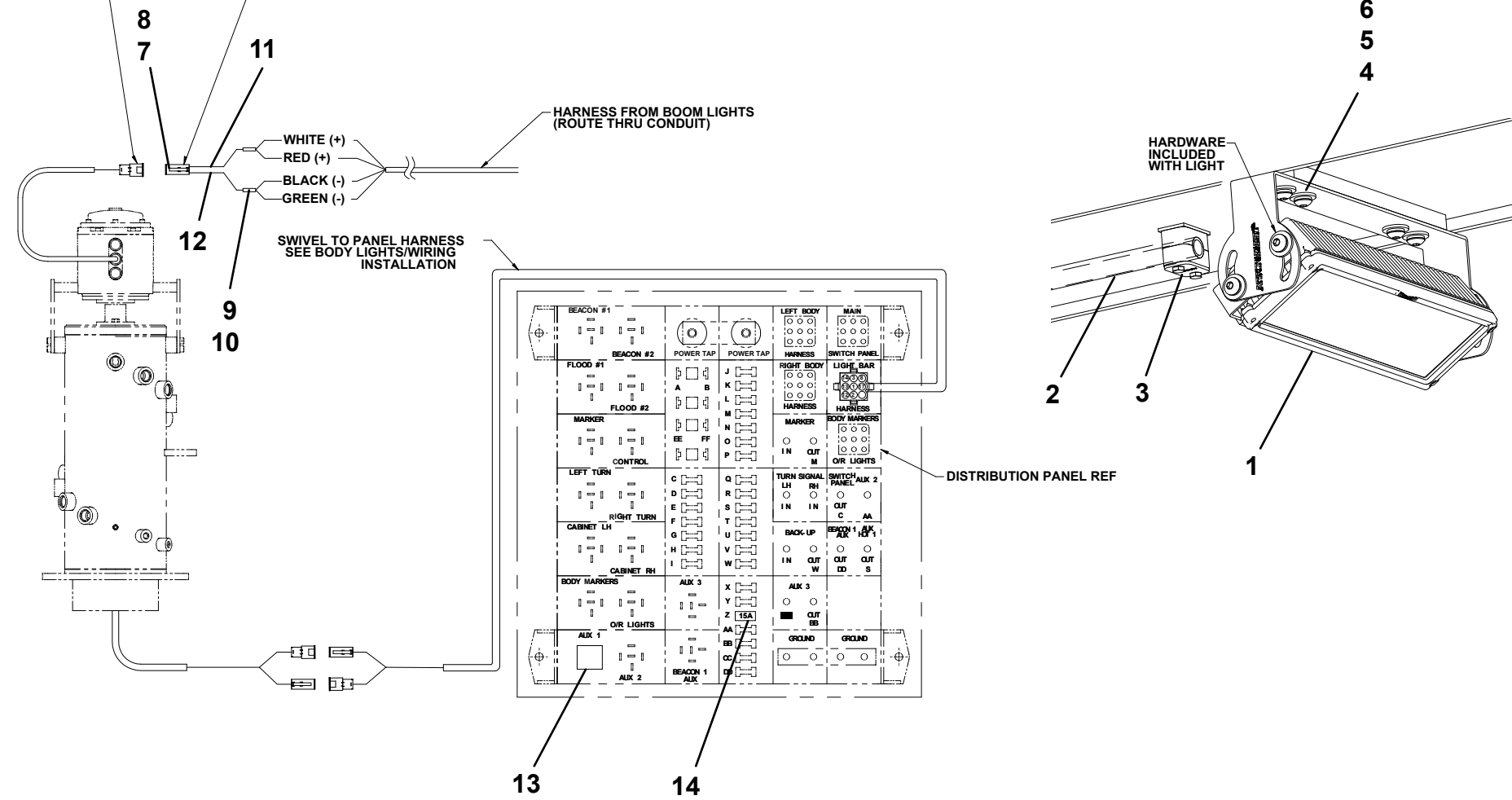
WRECKER BOOM LIGHTS INSTALLATION

ITEM	PART NO.	DESCRIPTION	QTY
1	1001130429	Lamp	1
2	4695000026	Pipe	1
3	7247000095	Assembly, Clamp	4
4	7114160618	Capscrew, 0.38"-16NC x 0.75"	4
5	7950160003	Lockwasher, 0.38" ID	4
6	7950160163	Flatwasher, 0.38" ID	4
7	4461018	Electrical Terminal	1
8	4460509	Electrical Socket	2
9	7345001914	Electrical Terminal	2
10	7346000039	Tubing, Heat Shrink	8in
11	8977030200	Wire, #12Ga. - Red	1ft
12	8977030300	Wire, #12Ga. - White	1ft
13	7740000001	Relay, 12V - 40 Amp	1
14	7457000006	Fuse, 15 Amp	1

WRECKER BOOM LIGHTS INSTALLATION

CAVITY	CIRCUIT	COLOR	GA	FUNCTION
1	13	BROWN/BLACK	12	GROUND
2	12	YELLOW/BLACK	12	AUX 1

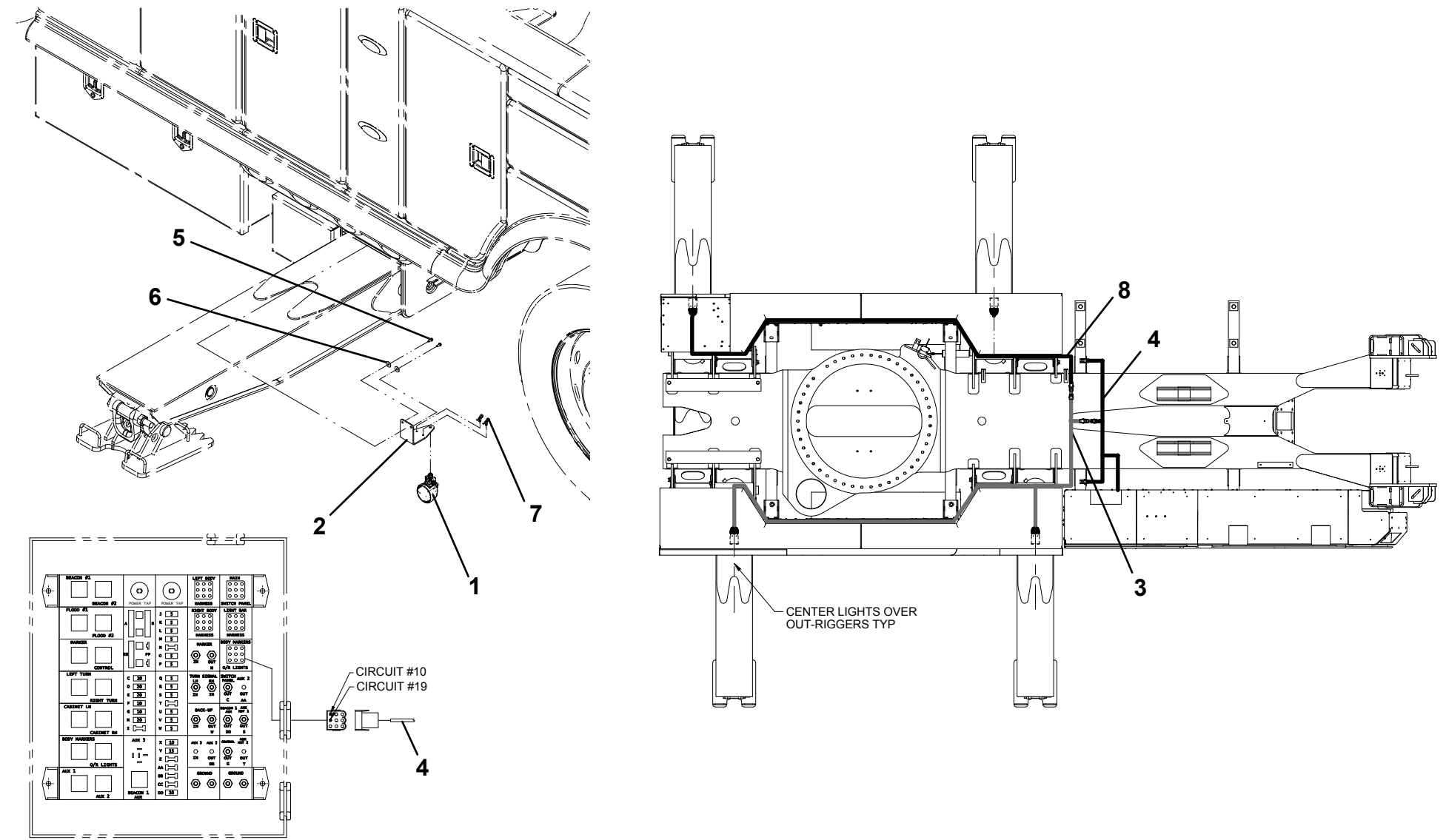
CAVITY	COLOR	GA	FUNCTION
1	WHITE	12	GROUND
2	RED	12	AUX 1



OUTRIGGER LIGHT INSTALLATION

ITEM	PART NO.	DESCRIPTION	QTY
1	7590000350	Light	4
2	1001130528	Bracket	4
3	1001136405	Harness	1
4	7552000339	Harness	1
5	7790141251	Screw, 0.25" x 0.75"	8
6	7949000022	Washer, 0.25" ID	8
7	7894000042	Tie Strap	32
8	1001136406	Harness	1

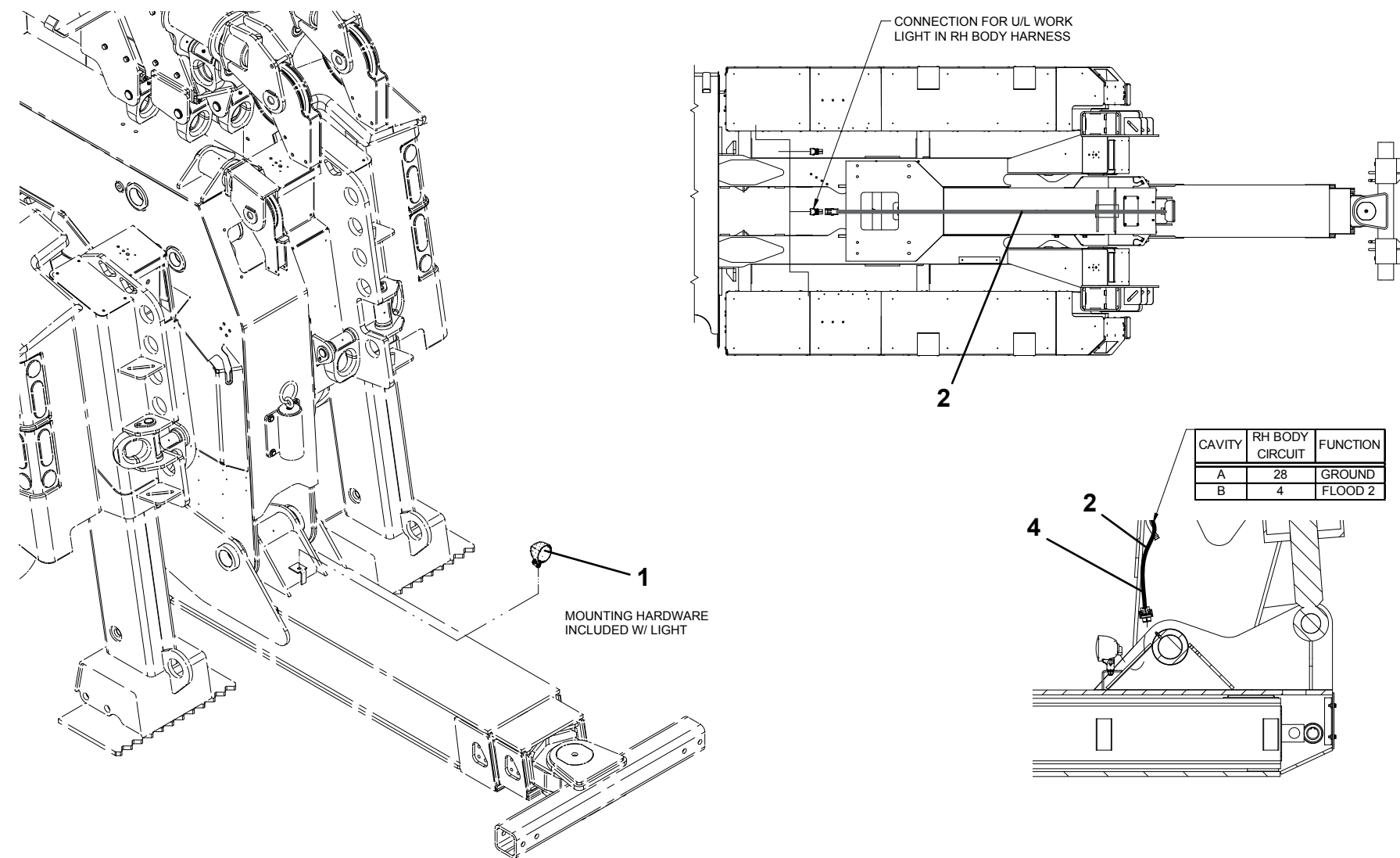
OUTRIGGER LIGHT INSTALLATION



UNDERLIFT LIGHT INSTALLATION

ITEM	PART NO.	DESCRIPTION	QTY
1	7590000350	Light	1
2	1001130467	Harness	1
3	7894000010	Tie Strap	12
4	8597650002	Wire Loom	6in

UNDERLIFT LIGHT INSTALLATION

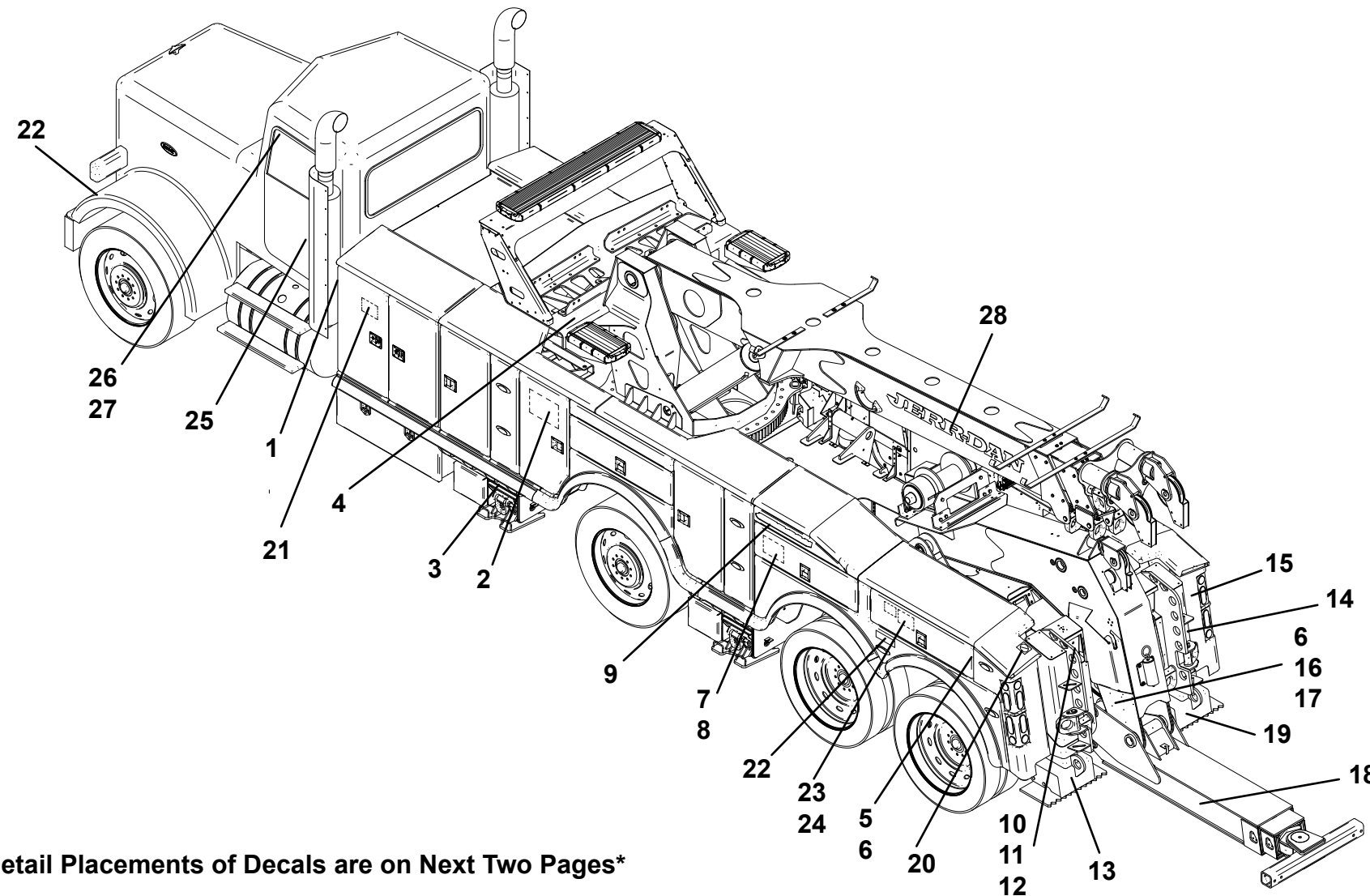


ITEM #3 NOT SHOWN

DECAL INSTALLATION

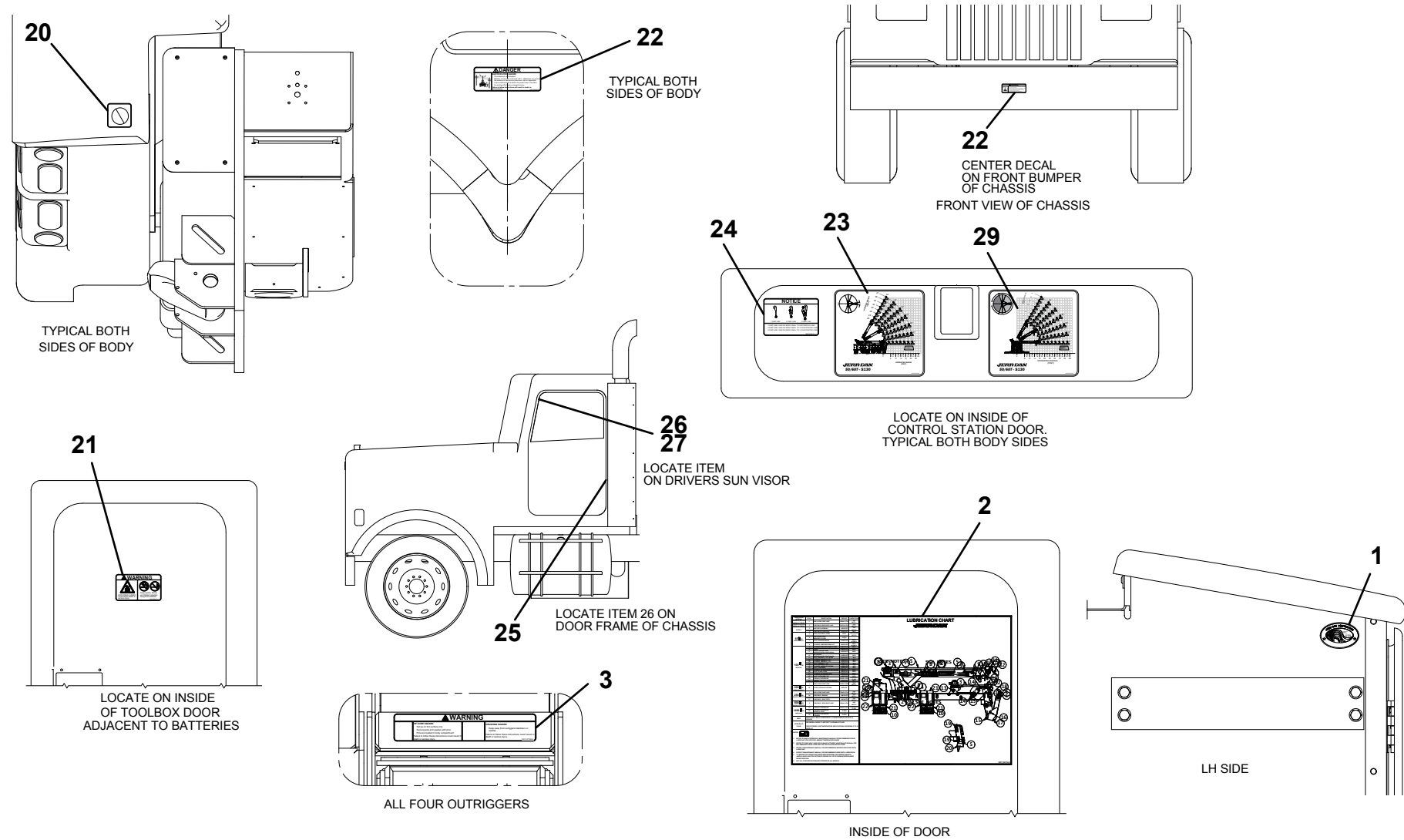
ITEM	PART NO.	DESCRIPTION	QTY
1	7330000143	Decal, Proudly Made In The USA	1
2	1001136175	Decal, Lube Chart	1
3	1001137185	Decal, Outrigger/Spade Warning	4
4	1001136119	Decal, Hydraulic Fluid Level	1
5	1001127220	Decal, Ident Tag	1
6	7759000004	Pop Rivet	14
7	1001136075	Decal, Hazardous Voltage	1
8	7330000688	Decal, Fuse Panel	1
9	7330000108	Decal, Jerr-Dan Brushed Alum	2
10	7330000208	Decal, Service Air	1
11	7330000209	Decal, Supply Air	1
12	7330000210	Decal, Aux Air	1
13	1001136094	Decal, Crushing Hazard	2
14	1001136091	Decal, Towed Load Hazard	2
15	1001137167	Decal, No Climbing	2
16	1001132242	Decal, Serial Placard HDR	1
17	1001132346	Patent Placard	1
18	1001137169	Decal, Pinch/Crush Hazard	2
19	1001136080	Decal, Recovery Stability	2
20	1001142452	Decal, No Step	2
21	1001138612	Decal, Battery Warning	1
22	1001136103	Decal, Power Line Warning	4
23	1001191519	Decal, Load Chart 50T Rotator	2
24	1001138537	Decal, Hook Notice	2
25	7330000689	Decal, Certification, NTEA	1
26	1001141227	Decal, Backing Hazard	1
27	1001142828	Decal, Fall Hazard	1
28	1001142894	Decal, Logo Red	2
	1001136696	Decal, Logo White	2
29	1001191518	Decal, Load Chart	2

DECAL INSTALLATION

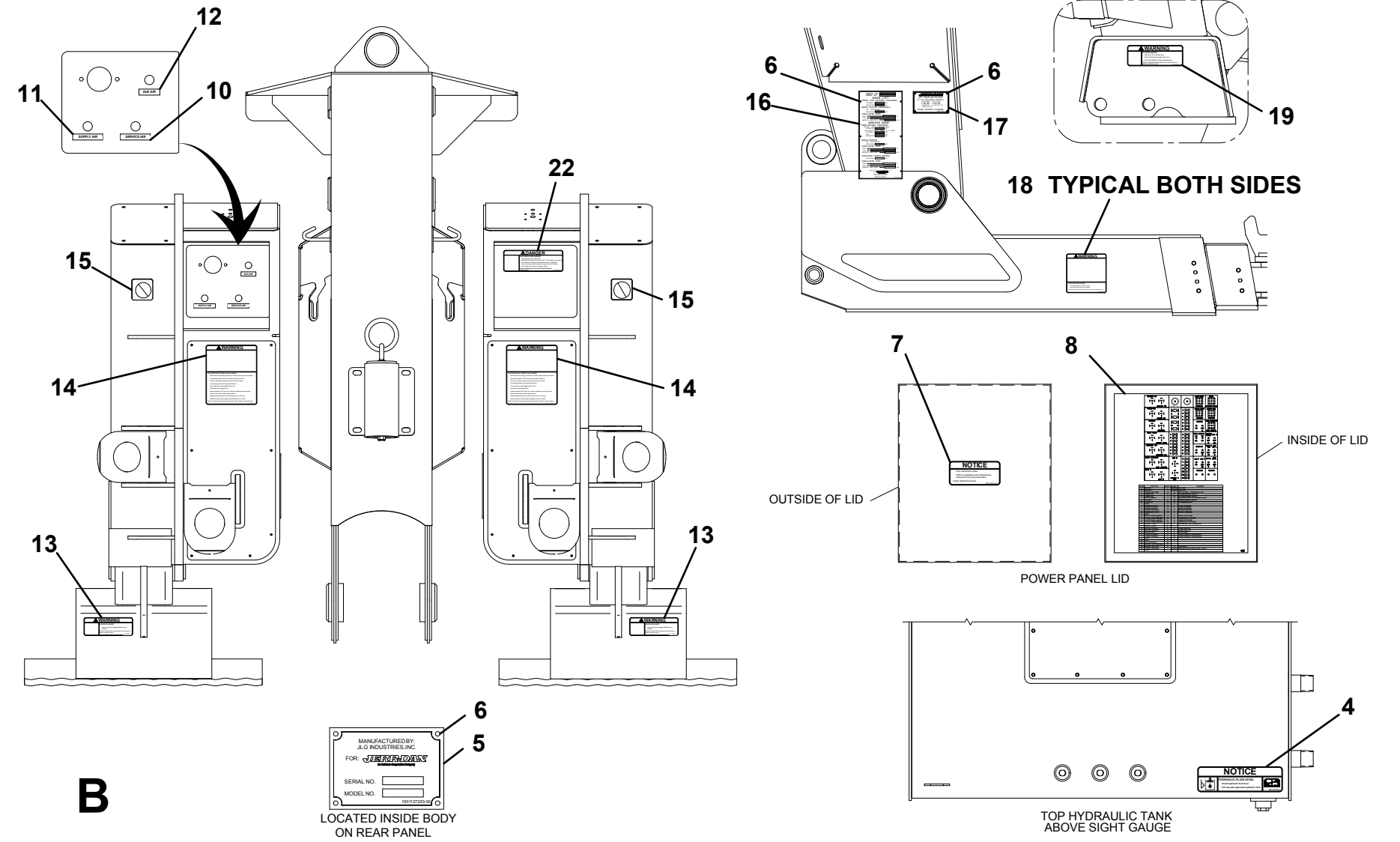


Detail Placements of Decals are on Next Two Pages

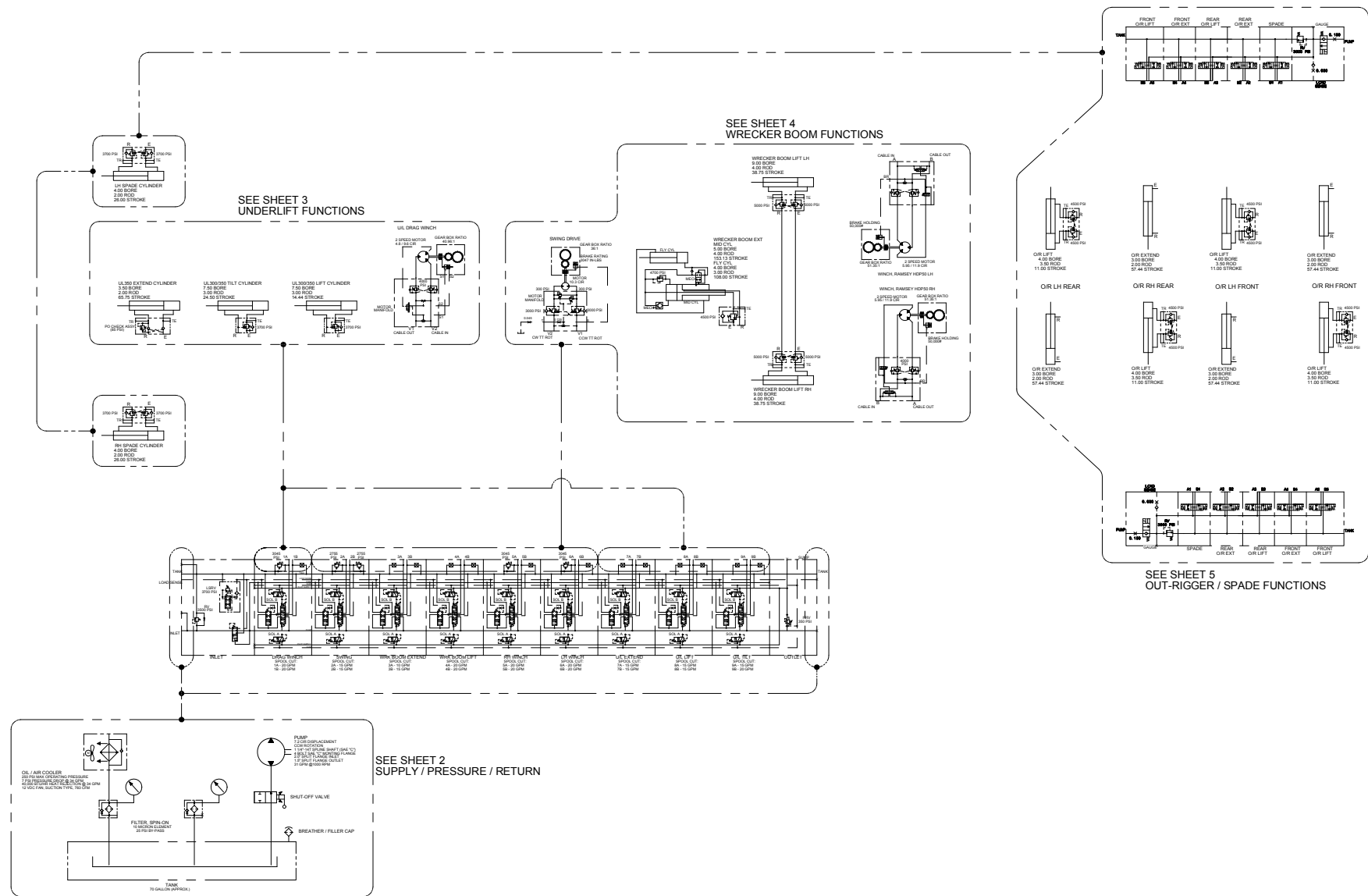
DECAL INSTALLATION



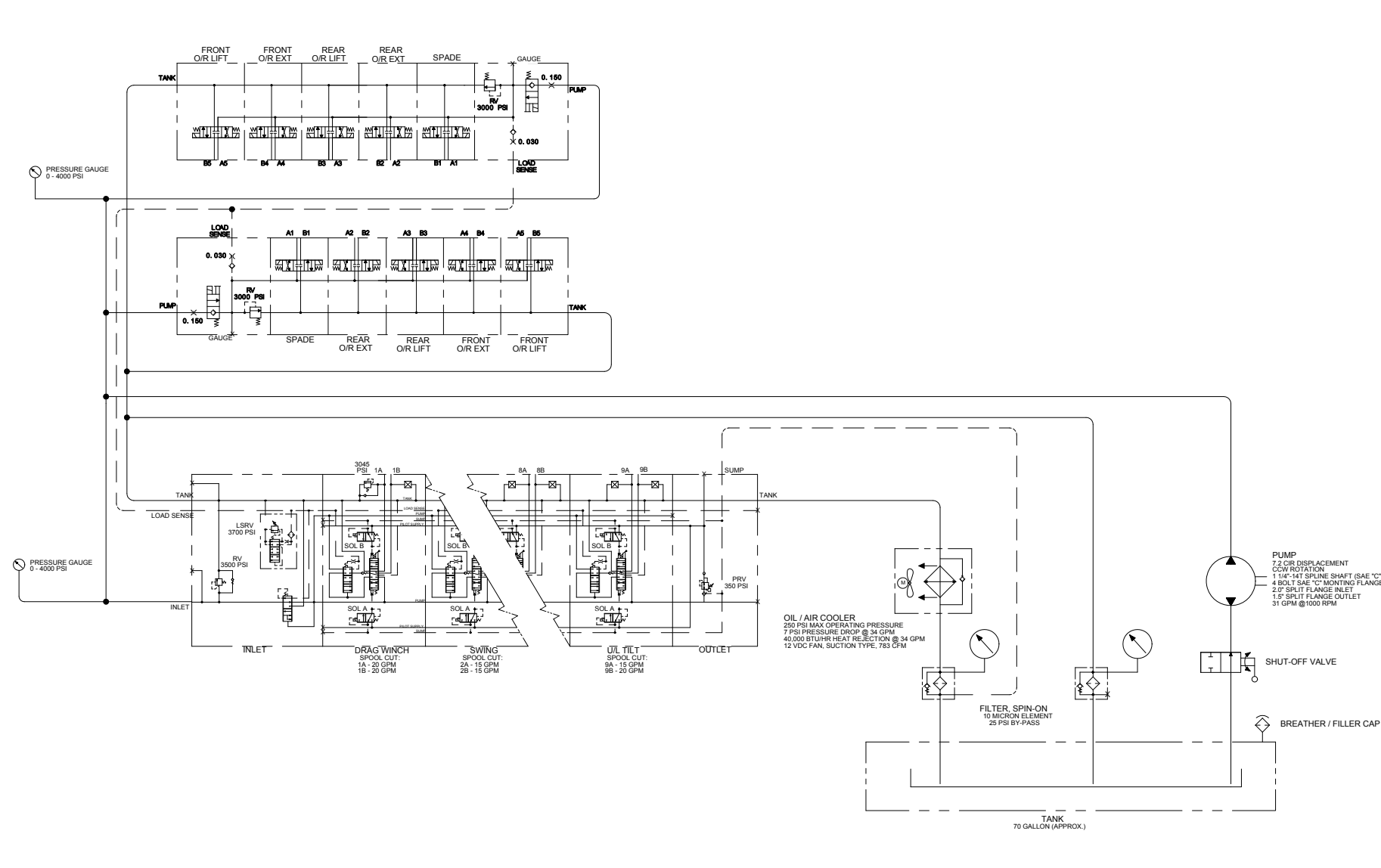
DECAL INSTALLATION



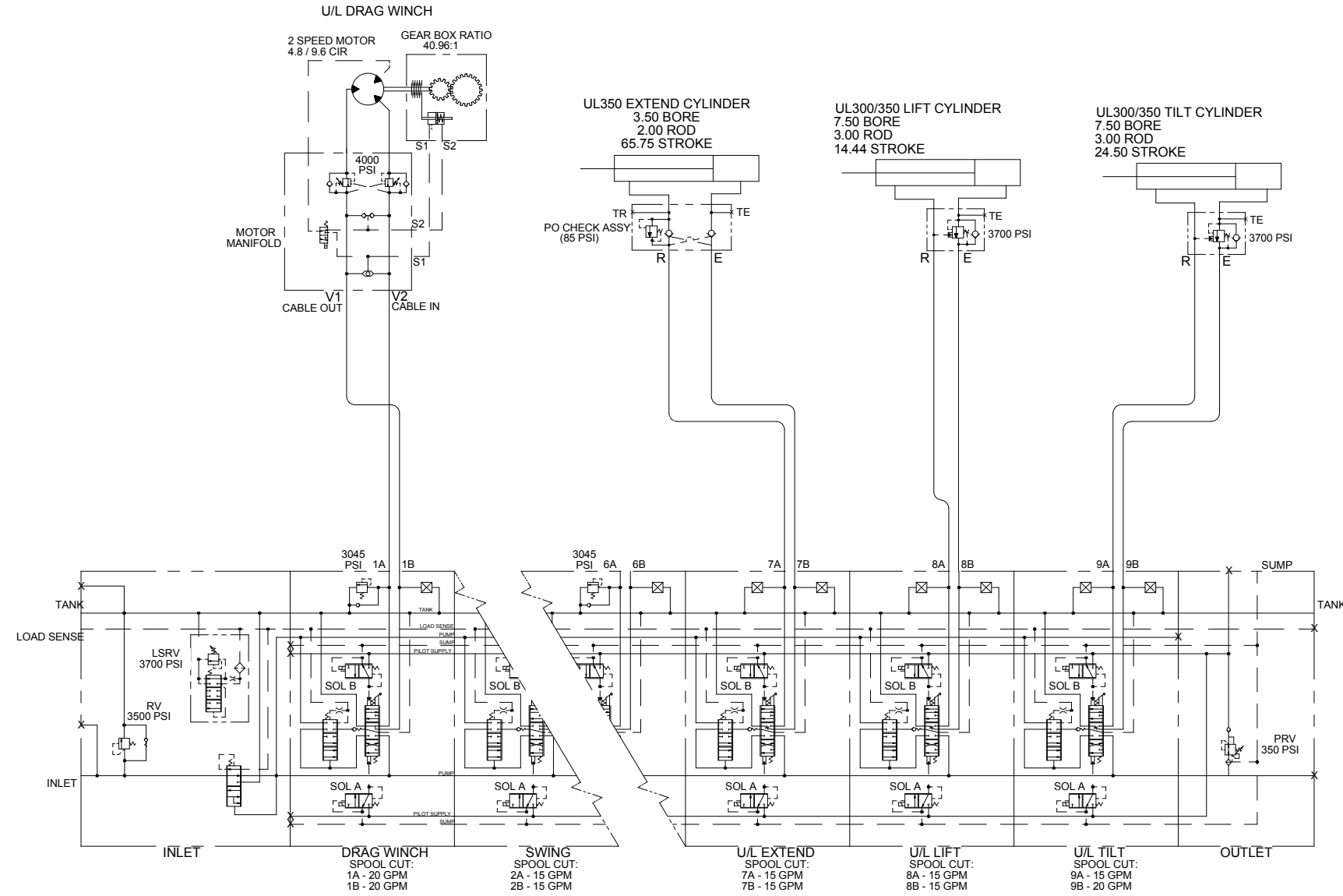
HYDRAULIC SCHEMATIC



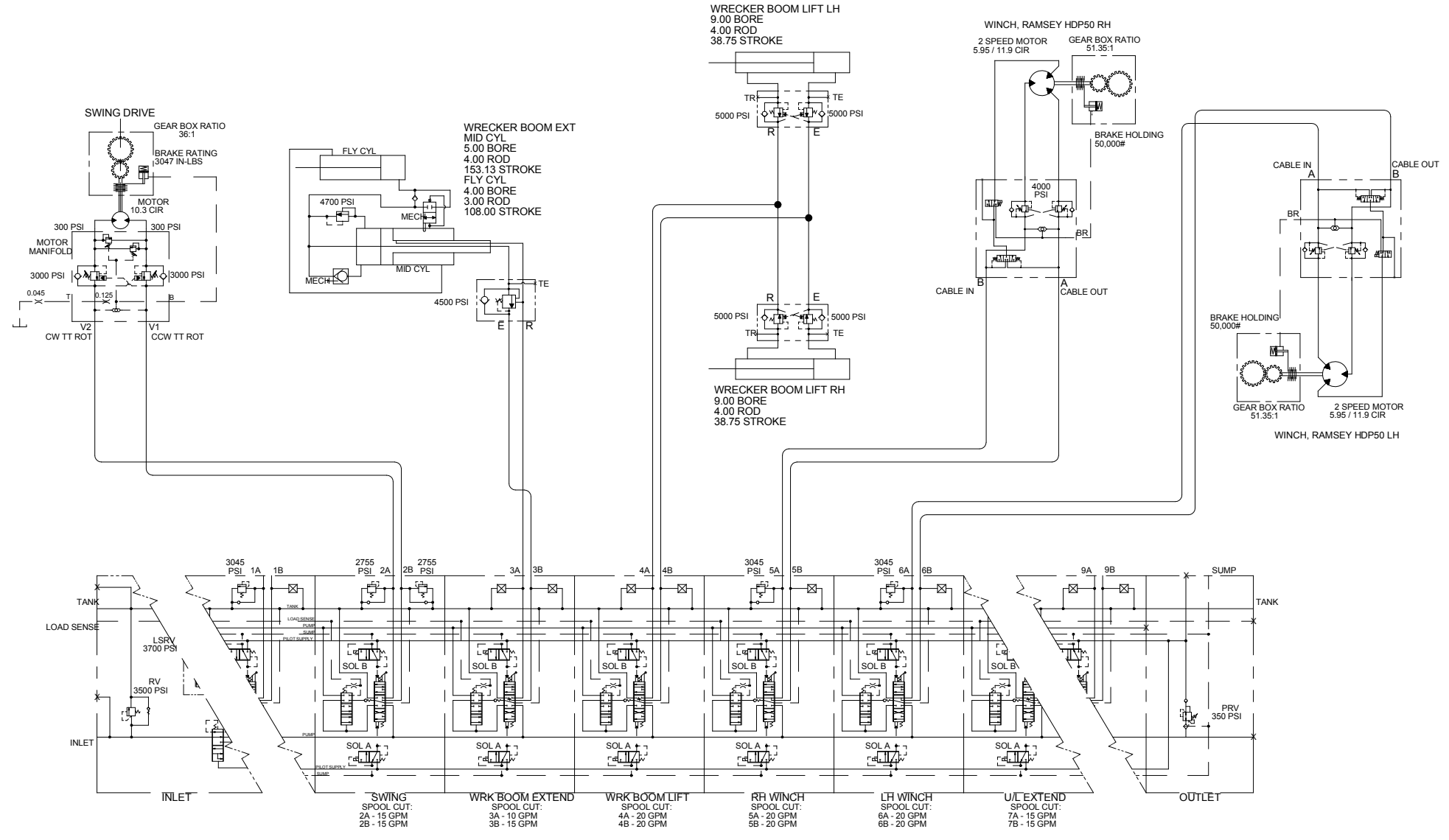
HYDRAULIC SCHEMATIC



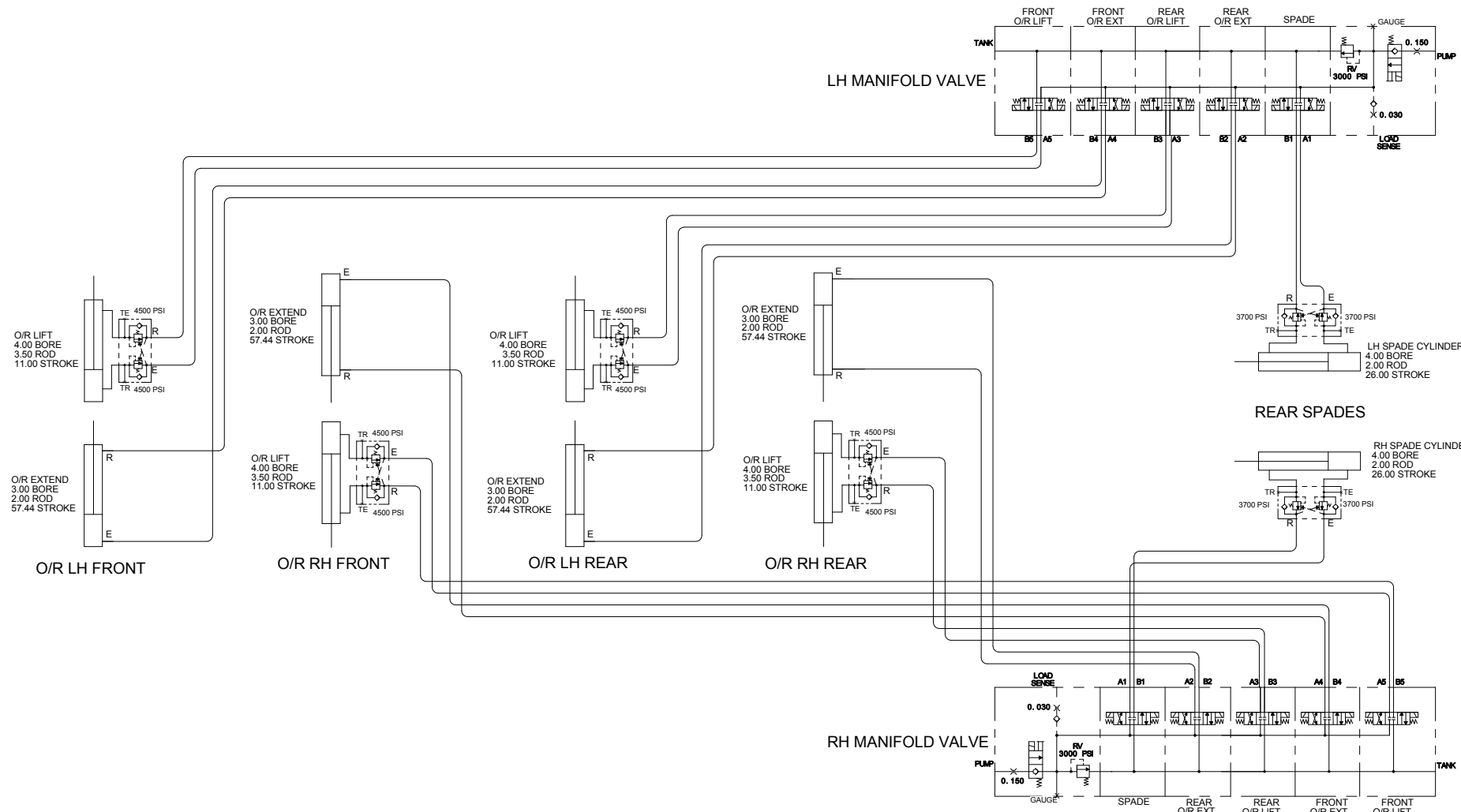
HYDRAULIC SCHEMATIC



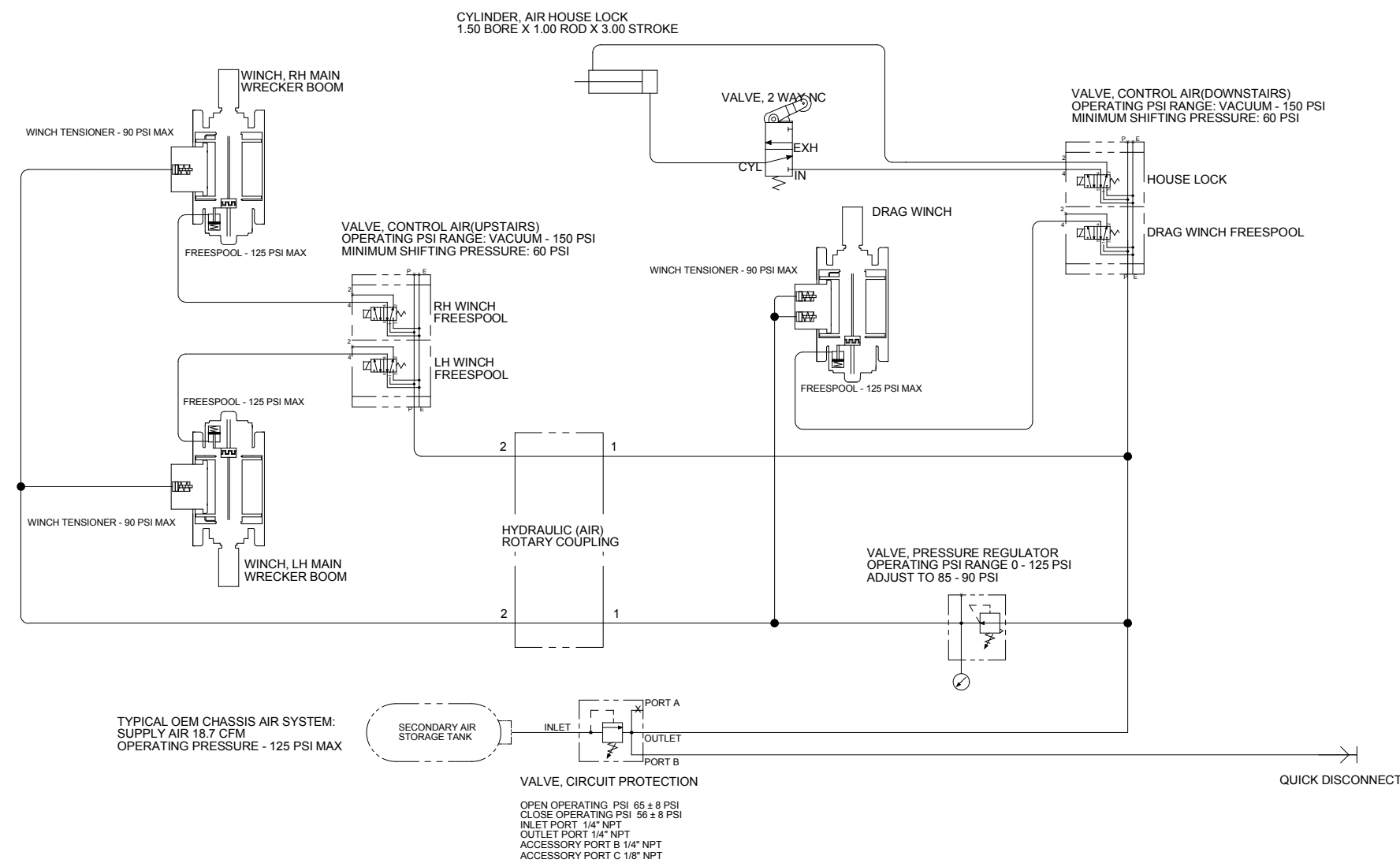
HYDRAULIC SCHEMATIC



HYDRAULIC SCHEMATIC



AIR SCHEMATIC



PART NUMBER INDEX

Part Number	Page	Part Number	Page	Part Number	Page	Part Number	Page
0100011	26, 32, 72, 94, 142	7019845	124, 128	70050163	296	70050209	296
641614	32	7019846	124, 128	70050169	296	70050210	296
682016	32	7019892	112, 120	70050170	296	70050211	296
0682212	24, 26, 110, 114	7023518	136, 140	70050171	296	70050215	40, 116, 132
682220	26	7023593	70	70050172	296	70050216	112, 120
0682248	110, 114	7024101	136, 140	70050174	296	70050217	124
0682622	52	7024444	20	70050175	296	70050218	124
0682652	44	7024445	20	70050176	296	70050232	116
1704260	240	7029760	28, 34, 64	70050177	296	70050273	22
2220773	226	8034697	256, 264	70050178	296	70050274	22
2220775	226	10701259	44, 52	70050179	296	70050275	22
2220973	227	10837929	256, 264	70050180	296	70050276	22
2221051	226	10837937	256, 264	70050181	296	70050277	22
3020029	32	70021648	40, 70, 112, 116, 120, 124, 128, 132, 136, 140	70050182	296	70050278	22
3272001	32	70021757	116, 132	70050183	296	70050279	22
3272201	26	70021774	70	70050185	296	70050280	22
3311605	32	70022067	28, 64	70050186	296	70050281	22
3841203	94, 142	70022563	36	70050187	296	70050282	22
3841258	32, 72, 78	70022564	36	70050188	296	70050308	274
3841287	26	70022603	28	70050189	296	70050309	274
3931624	32	70023370	36	70050190	296	70050310	274
4460509	304	70023371	36	70050191	296	70050312	274
4461018	304	70050085	108	70050192	296	70050315	274
4712200	26	70050086	108	70050194	296	70050316	274
7003116	136, 140	70050113	98	70050195	296	70050318	274
7003212	40, 124, 128	70050115	98	70050196	296	70050319	274
7003281	124, 128	70050116	98	70050197	296	70050320	274
7005314	112, 116, 120, 132	70050126	98	70050199	296	70050321	274
7005322	40	70050127	98	70052000	296	70050332	74
7005348	112, 116, 120, 124, 128, 132, 136, 140	70050129	98	70052001	296	70050333	74
7005365	40, 70, 112, 116, 120, 124, 132, 136, 140	70050132	98	70052002	296	70050334	74
7019828	40, 124, 128	70050139	102	70052003	296	70050335	74
7019829	136, 140	70050140	102	70052004	296	70050336	74
7019844	124, 128	70050141	102	70052005	296	70050337	74
		70050147	88, 106, 150	70052006	296	70050338	74
		70050151	108	70052007	296	70050339	74
		70050152	108	70052008	296	70050340	74

PART NUMBER INDEX

Part Number	Page	Part Number	Page	Part Number	Page	Part Number	Page
70050341	74	70050378	90	70050421	64	70050479	256, 264
70050342	74	70050379	90	70050422	64	70050480	256, 264
70050343	74	70050380	84	70050423	64	70050481	256, 264
70050344	74	70050381	82	70050424	28	70050482	256, 264
70050345	74	70050382	82	70050425	28	70050483	256
70050346	74	70050383	82	70050426	28	70050484	256, 264
70050347	74	70050384	88, 106, 150	70050427	28	70050485	256, 264
70050348	74	70050385	92	70050428	28	70050486	256, 264
70050349	74	70050386	20	70050430	28	70050487	256, 264
70050350	74	70050387	20	70050431	28	70050488	256, 264
70050351	74	70050388	20	70050432	28	70050489	256, 264
70050352	74	70050389	20	70050433	28	70050490	256, 264
70050353	74	70050390	20	70050434	28	70050491	256, 264
70050354	74	70050391	20	70050435	28	70050492	256, 264
70050355	74	70050392	296	70050436	28	70050501	256, 264
70050356	74	70050393	296	70050437	34	70050502	256, 264
70050357	74	70050394	296	70050438	28, 34	70050503	256, 264
70050358	74	70050395	296	70050439	28, 34	70050504	256, 264
70050359	74	70050396	74	70050440	28	70050505	256, 264
70050360	74, 76	70050399	154	70050441	34	70050506	256, 264
70050361	76	70050400	154	70050442	34	70050507	256, 264
70050362	76	70050401	98, 154	70050444	34	70050508	256, 264
70050363	76	70050402	154	70050445	34	70050510	256, 264
70050364	76	70050403	64	70050446	34	70050526	282
70050365	128	70050404	64	70050447	34	70050527	282
70050366	76	70050407	64	70050448	34	70050528	282
70050367	80	70050408	64	70050449	34	70050529	282
70050368	80, 154	70050409	64	70050450	34	70050530	282
70050369	80, 154	70050410	64	70050451	34	70050531	40
70050370	80, 154	70050411	64	70050452	34	70050534	136, 140
70050371	80, 154	70050412	64	70050472	256, 264	70050535	136, 140
70050372	80, 154	70050413	64	70050473	256, 264	70050536	136
70050373	80	70050414	34	70050474	256, 264	70050537	136
70050374	86	70050415	64	70050475	256, 264	70050538	136
70050375	90	70050416	64	70050476	256, 264	70050540	136, 140
70050376	90	70050419	64	70050477	256, 264	70050541	136, 140
70050377	90	70050420	64	70050478	256, 264	70050542	120

Part Number	Page	Part Number	Page	Part Number	Page	Part Number	Page
70050543	120	70050580	70	70050761	108	1001127311	24, 26, 28
70050544	116, 132	70050581	70	70050791	36	1001127312	30, 34, 36
70050545	116, 132	70050582	70	70050792	36	1001127313	60, 62, 64
70050546	116	70050583	70	70050793	36	1001127315	18
70050547	116	70050584	70	70050794	36	1001127316	44
70050548	116, 132	70050585	70	70050795	36	1001127324	46
70050549	116, 132	70050586	70	70050796	36	1001127327	260, 262
70050550	140	70050587	70	70050797	36	1001127656	50
70050551	140	70050588	70	70050798	36	1001127671	252, 254
70050552	140	70050589	70	70050799	36	1001127836	66, 68
70050553	124	70050590	70	70050800	36	1001127841	66, 68
70050554	124	70050591	70	70050801	36	1001127853	66
70050555	124	70050592	70	70050802	36	1001127918	30
70050556	70	70050594	132	70050803	36	1001127996	18, 20
70050557	70	70050595	132	70050804	36	1001128160	114
70050558	70	70050734	264	70050805	36	1001128283	60, 62
70050559	70	70050739	98	70050806	36	1001128323	72, 74
70050560	70	70050740	98	70050807	36	1001128391	52
70050561	70	70050741	98	70050808	36	1001128440	110
70050562	70	70050742	98	70050809	36	1001128450	110
70050563	70	70050743	98	70050810	36	1001128463	60
70050564	70	70050744	98	80004049	116, 132	1001128697	110, 114
70050565	70	70050745	100	80004056	140	1001129004	66, 68
70050566	70	70050746	100	83304140	70, 112, 120	1001129005	66, 68
70050567	274	70050747	100	83304143	70, 120	1001129006	66, 68
70050568	70, 136	70050749	100	83304173	20	1001129393	66, 68
70050569	70	70050750	102	83304174	20	1001129405	24
70050570	70	70050751	102	83304181	70	1001129406	30
70050571	274	70050752	102	88671001	26	1001129416	24
70050572	70	70050753	104	90022234	28	1001129470	54
70050573	274	70050754	106	90022282	28	1001129495	72, 74
70050574	70	70050755	106	91024100	34	1001129498	30
70050575	70	70050756	106	91034041	64	1001129534	110
70050576	70	70050757	106	91034051	34	1001129535	110
70050577	70	70050758	106	1001003803	30	1001129540	72
70050578	70	70050759	106	1001118961	44	1001129541	72
70050579	70	70050760	106	1001127220	310	1001129542	72

Part Number	Page	Part Number	Page	Part Number	Page	Part Number	Page
1001129543	72	1001130491	240, 246, 254, 262	1001134450	240	1001136811*	226
1001129628	48, 50	1001130528	306	1001134451	214	1001136814	226
1001129777	8	1001130587	226	1001134461	240, 246	1001136817	226
1001129778	8	1001130589	226	1001134462	240, 246	1001136821	226
1001129786	8	1001130597	226	1001134463	240, 246	1001136824	226
1001129800	278, 282	1001130607	226	1001134690	268	1001136833	226
1001129818	290	1001130608	226	1001134691	268	1001136836	226
1001129820	290	1001130609	226	1001134727	268	1001136841	226
1001129828	294	1001130610	226	1001134739	10, 14	1001136843	226
1001129861	294	1001130611	226	1001134740	10, 14	1001136844	226
1001129987	48	1001130696	240	1001135127	72, 78	1001136845	226
1001130086	240, 246	1001130840	46	1001135301	278	1001136846	226
1001130087	240, 246	1001130891	276	1001135645	8	1001136851	226
1001130208	252, 260	1001131032	240, 246	1001135652	30	1001136861	226
1001130209	252, 260	1001131060	44	1001135667	30, 32	1001136876	226
1001130210	252, 260	1001131123	254, 262	1001135896	174	1001136881	226
1001130211	252, 260	1001131124	254, 262	1001135897	174	1001136883	226
1001130215	252, 260	1001131129	254, 262	1001135971	180	1001136884	227
1001130216	252, 260	1001131131	254, 256	1001136075	310	1001136891	227
1001130217	252, 260	1001131160	300, 302	1001136080	310	1001136893	227
1001130218	252	1001131171	298	1001136091	310	1001136896	227
1001130258	252	1001131302	226	1001136094	310	1001136908	188, 190
1001130261	252	1001132242	310	1001136103	310	1001136909	188, 190
1001130262	240	1001132346	310	1001136119	310	1001136910	188, 190
1001130287	240, 252	1001133242	114	1001136146	240, 246	1001136931	178, 186
1001130313	240	1001133286	114	1001136175	310	1001136932	176, 184
1001130340	240, 246	1001133571	10, 14	1001136270	268	1001136939	227
1001130347	240, 246	1001133875	180, 188	1001136405	306	1001136957	227
1001130385	240, 246	1001133876	182, 190	1001136406	306	1001136958	227
1001130395	10, 14	1001134039	180	1001136470	142	1001136960	227
1001130426	226	1001134078	180	1001136470	142	1001137001	190
1001130429	304	1001134095	182	1001136692	44	1001137018	172
1001130437	18	1001134239	52	1001136696	310	1001137019	172
1001130450	240	1001134376	240, 246	1001136761	227	1001137048	226
1001130467	308	1001134411	240, 246	1001136772	227	1001137049	226
1001130484	240, 246	1001134412	240, 246	1001136792	227	1001137052	226
1001130485	240, 246	1001134433	240, 246	1001136807	227	1001137102	214
				1001136811	226		

Part Number	Page	Part Number	Page	Part Number	Page	Part Number	Page
1001137159	240, 246	1001150151	290	1001157970	54	3170000125	134
1001137160	240, 246	1001150180	292	1001158142	10, 14	3170000220	118, 126
1001137167	310	1001150426	214	1001158198	96	3170000221	126
1001137169	310	1001151049	110	1001158448	68	3170000223	126
1001137185	310	1001151050	114	1001158540	62	3170000224	126
1001137273	178	1001151184	110, 114	1001158844	32	3170000400	138
1001137373	200	1001151185	110, 114	1001159354	94	3170000401	138
1001138537	310	1001151763	18, 22	1001163364	227	3170000406	138
1001138612	310	1001154069	240, 246	1001164055	227	3170000407	130, 138
1001141227	310	1001154070	240, 246	1001166373	227	3170000430	122
1001141265	224	1001154075	240, 246	1001166916	188	3170000431	122
1001142452	310	1001154273	240	1001169617	94, 142	3170000432	122
1001142626	54	1001154274	240, 246	1001169618	72, 78	3170000433	118, 122
1001142828	310	1001154275	240	1001169893	94, 142	3178000226	160
1001142829	214	1001154276	240, 246	1001170037	72, 78	3178000240	166
1001142894	310	1001154277	240, 246	1001170172	160	3178000460	206
1001143119	174	1001154786	30, 32	1001172053	110, 114	3178000499	166
1001143276	214	1001156061	54	1001172054	110, 114	3178000513	206
1001143284	214	1001156079	240, 246	1001178692	32	3249000012	94, 142
1001143286	214	1001156186	240, 246	1001178865	32	3249000037	72, 78
1001143287	214	1001156279	240, 246	1001178867	32	3263000118	38
1001143288	214	1001157093	262, 264	1001179003	32	3272605001	32
1001143289	214	1001157109	246, 260	1001179129	32	3274000011	192
1001143542	276	1001157110	260	1001179131	26	3314000010	276
1001143543	214	1001157184	260	1001179132	32	3415000047	200
1001143564	276	1001157212	260	1001179143	32	3484000048	162
1001143565	276	1001157227	246	1001179153	26	3484000049	162
1001143937	226	1001157228	246	1001179160	32	3484000072	164
1001144012	18, 214, 268	1001157232	246	1001179170	32	3484000073	164
1001144017	214	1001157233	246	1001191518	310	3502740106	194
1001144068	18	1001157240	246	1001191519	310	3507100001	130, 134
1001144150	214	1001157245	246	2502880300	164	3551000036	160
1001145521	78	1001157257	246	3007000004	160	3555000007	184, 186
1001145522	78	1001157309	246	3020000119	162, 164	3555000008	184, 186, 188, 190
1001145523	78	1001157913	94	3020000120	162, 164	3561000008	162, 164
1001145524	78	1001157914	94	3170000123	134	3561000015	164
1001145566	78	1001157954	94	3170000124	134	3691000126	38

Part Number	Page	Part Number	Page	Part Number	Page	Part Number	Page
3691000144	166	4062000615	206	4415000055	200	4679000181	196
3691000145	166	4062000624	188, 190	4561000012	162, 164	4679000188	196
3691000160	118	4062000715	66, 68	4567110065	227	4679000205	122, 126
3691000171	110	4062000717	240, 246	4567112024	227	4679000206	122, 126
3691000174	42	4120000021	60, 62	4567112038	227	4679000243	30
3691000223	30, 32	4178000222	188, 190	4567120022	227	4679000245	114
3691000227	24, 26	4178000225	184, 186, 188, 190	4567120069	226	4679000260	188, 190
3691000228	24, 26	4178000229	196	4567120071	227	4679000261	188, 190
3691000231	114	4178000240	196	4567122014	252, 260	4679000277	138
3691000232	130	4178000242	202	4567122064	227	4679000293	138
3691000247	30	4178000337	196	4567130135	226	4679000309	184
3691000252	60, 62	4178000349	226	4567132085	226	4679000310	186
3691000253	30	4178000402	294	4567150016	226	4679000311	186
3691000267	38	4178000553	188, 190	4567182031	227	4679000313	66, 68
3706000080	166	4178000555	188, 190	4569140046	226	4679000314	66, 68
3706000177	122, 126	4178000556	188, 190	4569160030	226, 227	4679000319	66, 68
3706000178	122, 126	4178000564	190	4569180044	227	4679000320	212
3706000179	122, 126	4178000583	188	4570000167	227	4679000326	66, 68
3706000180	122, 126	4178000584	190	4570000218	227	4686000073	188, 190
3706000241	66, 68	4178000594	188	4570000361	226	4686000074	184, 186
3706000261	38	4178000659	300	4619000006	227	4686000077	176
3706000348	30	4178000660	206	4632000013	184, 186	4686000078	178
3899000160	212	4178000661	202	4632000024	196	4686000133	196
3899000161	212	4178000678	204, 206	4632000025	196	4686000134	196
3911000068	192	4178000699	276	4636000031	176, 178, 180	4686000185	196
3912000033	162, 164	4178000715	206	4636000032	176, 178	4686000186	196
3912000034*	142	4178000720	206	4679000120	176, 178, 180, 182, 194	4686000210	188, 190
3912000038	162, 164	4178000761	206	4679000121	180, 182	4686000212	188
3913000094	170	4178000811	66, 68	4679000122	176, 178	4686000215	188, 190
4017000719	202	4178000854	188	4679000127	114	4691000200	38
4017001493	206	4249000002	94, 142	4679000140	66, 68	4691000242	170
4017001549	206	4314000141	182	4679000146	134	4691000274	162, 164
4062000173	188, 190	4415000017	200	4679000147	134	4691000285	66, 68
4062000174	184, 186, 188, 190	4415000019	200	4679000148	200	4691000290	130
4062000368	196	4415000046	198	4679000158	122, 126	4691000291	130
4062000522	66, 68	4415000053	200	4679000159	122, 126	4691000292	134
4062000589	66, 68	4415000054	200	4679000161	122, 126	4691000293	134, 138

Part Number	Page	Part Number	Page	Part Number	Page	Part Number	Page
4691000311	118	4706005262	138	7056000003	168	7114150850	188, 190
4691000316	122, 126	4706005263	138	7056000004	168	7114160618	304
4691000317	118	4706005281	138	7056000005	168	7114160818	30
4691000318	122, 126	4706005393	188, 190	7056000006	168	7114160850	32
4691000321	138	4706005490	182	7075000003	276	7114161050	184, 186, 188, 190, 206
4691000416	66, 68	4706006033	278	7075000006	276	7114161250	210
4691000417	66, 68	4754000004	42, 66, 68	7082000005	240, 246	7115101411	214
4691000450	54	4754000006	30, 32	7105163650	74	7115140650	122, 126, 134, 138, 214
4691000489	30	4763000295	54	7105180850	122, 126	7115140850	54, 240, 246, 298, 300
4691000556	60, 62	4811000335	196	7108180850	66, 68, 134, 138	7115141250	276
4691960030	76	4811000336	196	7108181050	134	7115141450	54
4695000026	304	4811000337	196	7110201423	144	7115141850	200
4705000705	192	4811000355	196	7110201823	82	7115142050	94, 142
4706001815	202	4811000408	180, 182	7111140613	276	7115150650	10, 14, 84, 214
4706002207	134	4811000942	54	7111140813	276	7115150664	10, 14
4706002208	134	4811000944	176, 178	7111141050	200	7115150850	46, 202, 278
4706002209	134	4811000947	196	7114080418	212, 214	7115150864	158
4706002210	134	4811001026	204	7114100318	196	7115151050	226
4706002211	134	4811001027	204	7114100418	66, 68, 196	7115151250	278
4706002467	122, 126	4812000052	188, 190, 196	7114100518	54, 188, 190, 212, 276	7115160623	114
4706003144	122, 126	4812000057	134	7114100618	184, 186, 188, 190, 214, 268	7115160650	42, 240, 246
4706003708	122, 126, 134	4812000120	210	7114100818	184, 186, 196, 212	7115160850	18, 22, 54, 204
4706003709	122, 126, 134	4831000108	72, 78	7114101618	54	7115161050	240, 246
4706003710	134	4831000115	96	711410418	122, 126, 196	7115161223	110
4706003716	38	4831000115*	142	7114140418	38, 134, 138, 184, 186, 188, 190	7115161250	206, 240, 246, 294
4706003717	134	4912000369	54	7114140518	188, 190	7115161450	110, 114, 240, 246, 252, 260
4706003718	134	4949000041*	170	7114140618	30, 240, 246, 290	7115161650	38, 227
4706003719	122, 126	4949000042*	170	7114140650	184, 186, 188, 190	7115163250	240, 246
4706003720	122, 126	4949000045	94, 142	7114140818	52, 66, 68, 176, 178, 188, 190	7115180650	66, 68
4706003721	122, 126	5526000553	276, 288	7114140850	180, 182, 188, 190, 206	7115180850	66, 68, 94, 110, 118, 142, 294
4706003722	122, 126	6906960019	154	7114141018	196	7115181050	196, 206
4706003723	122, 126	7007000036	10, 14	7114141218	66, 68	7115181250	110, 114, 182
4706003724	122, 126	7007000055	160	7114141850	198	7115181250*	142
4706003725	122, 126	7007000056	160	7114150650	196	7115181450	66, 68, 292
4706003844	226	7007960040	80	7114150818	278	7115181650	92, 156
4706004173	54	7011000007	224				
4706004174	54						

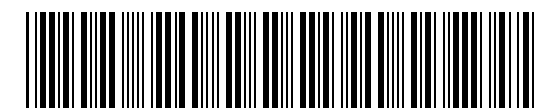
Part Number	Page	Part Number	Page	Part Number	Page	Part Number	Page
7115181850	18	7120000053	96	7320000039	118, 120	7415000010	200
7115182050	192	7120000053*	142	7320000040	110, 112	7415000013	198, 200
7115182250	80	7120000062	8	7320000042	126, 128	7415000014	198, 200
7115182850	72, 78	7178000023	184, 186, 188, 190, 196	7320000063	114, 116	7415000032	200
7115185650	74	7178000025	214	7320000068	138, 140	7430000004	226
7115201050	60, 62, 72, 78	7178000038	54	7320000069	54	7440000000	24, 60, 62
7115201250	110, 114	7189000014	96	7320000076	122, 124	7440030000	42, 60, 62, 66, 68, 72, 78, 94, 110, 114, 118, 122, 126, 130, 134, 138, 142
7115201650	48	7189000014*	142	7320000085	66, 68, 70	7440030400	30, 32, 124, 128
7115201850	150	7189000015	176, 178, 196	7320000096	130, 132	7440300000	170
7115202250	150	7189000017	114	7330000108	310	7443000108	226
7115202850	172, 174, 192	7209000022	170	7330000143	310	7443000139	278
7115203250	48	7209000023	10, 14	7330000208	310	7443000145	158
7115220850	114, 130	7209000024	10, 14	7330000209	310	7443000146	158
7115222450	88	7209000029	118, 130	7330000210	310	7443000148	158, 278
7115222650	88	7209000033	10, 14	7330000278	162, 164	7443000154	278
7115241650	74	7247000095	304	7330000550	162, 164	7443000155	278
7118140427	66, 68	7248000148	142	7330000688	310	7443000156	278
7118151250	202	7248000149	72, 78	7330000689	310	7443000158	226
7118165250	152	7253000002	24, 26, 30, 32, 42, 60, 62, 66, 68, 72, 78, 94, 110, 114, 118, 130, 142	7330000755	288	7443000173	50, 226, 278
7118172050	80, 98, 154			7345001704	288	7443000175	278
7118180820	66, 68			7345001914	304	7443000178	278
7118181205	80, 154			7345222202	214	7443000204	92, 156
7118181250	168			7345232202	214	7443000205	92, 156
7118201616	94, 142			7345242202	214	7443000207	252, 260
7118221650	46			7346000035	288, 300, 302	7443000243	278
7118221816	72, 78			7346000037	288, 300, 302	7443000258	226
7118221850	24			7346000039	214, 288, 304	7443000270	278
7118222416	72			7346000045	214	7443000329	278
7118222816	78			7346000055	158	7443000396	278
7118222850	96			7346000056	54	7443000397	278
7118225650	60, 62			7346000078	158	7443000408	226
7118267250	166			7346000087	288	7443000414	50
7120000033	214			7346000094	288, 300, 302	7443000448	278
7120000035	214			7346000099	288	7444020013	278
7120000036	166			7413000002	176, 178, 180, 182, 188, 190, 206, 240, 246	7444030037	278
7120000040	66, 68			7413000003	204, 206		
7120000047	240, 246, 276						

Part Number	Page	Part Number	Page	Part Number	Page	Part Number	Page
7445040421	226	7457000011	214	7585000012	212	7660162601	18, 38, 54, 190, 240, 246, 252, 260, 294
7445040425	226	7457000012	214	7585000016	196	7660162604	184, 186, 188, 190, 206, 210
7445040445	80, 154	7457000019	214	7590000049	274	7660170230	54
7445060435	158	7457000023	214	7590000094	214	7660180001	54
7445060625	252, 260	7470000002	226	7590000105	214	7660180200	54
7445060643	226, 227, 252, 260	7470000004	226	7590000262	214	7660180200	54
7445060645	252, 260	7470000006	278	7590000282	214	7660180230	122, 126
7445060648	226	7470000014	66, 68	7590000284	214	7660182301	192, 196, 206
7445080643	226	7470000019	66, 68	7590000304	214	7660182601	18, 66, 68, 72, 78, 96, 182, 292, 294
7445080644	226	7491000207	38	7590000317	214	7660182601*	142
7445080825	252, 260	7493000003	298	7590000350	306, 308	7660200001	92, 106, 150, 156, 172, 174, 192
7445080837	226	7493000011	214	7590200161	192	7660200200	92, 106, 156, 226
7445080843	226	7493000014	214	7595000005	184, 186, 188, 190	7660202601	48, 110, 114
7445080845	227	7493000020	276	7595000011	196	7660220001	88
7445081039	226	7493000021	302	7632046009	180, 182	7660222308	72, 78
7445081043	226, 252, 260	7493000026	214	7636000008	172, 174, 192	7660222601	24, 60, 62, 110, 114
7445081045	50	7494000019	172, 174	7636000031	182	7660262600	30
7445100843	226, 227	7552000339	306	7638000012	202	7661000002	214
7445100845	227	7552000349	214	7660040000	240, 246, 276	7661000018	94, 142
7445101018	226	7552000354	214	7660082604	212, 214	7661000019	122, 126, 138, 290
7445101025	252, 260	7552000355	214	7660102601	54, 214, 268	7661000022	10, 14
7445101043	50, 226, 227, 252, 260	7555000002	188, 190, 196	7660102604	184, 186, 188, 190, 196, 212, 276	7661000023	214, 276
7445101045	50, 227	7561000020	168	7660140001	54, 196	7661000027	10, 14
7445121243	252, 260	7565000014	158, 278	7660140230	240, 246	7661000041	278
7445161243	226, 252, 260	7565000016	227, 278	7660142600	224	7663000006	18
7445161245	226, 252, 260	7565000019	274	7660142601	54, 66, 68, 200, 214, 240, 246, 276, 300	7686000013	178
7445161620	226	7577000063	132	7660142604	94, 142, 180, 182, 184, 186, 188, 190, 196, 198, 298	7686000014	176
7445161622	226	7577000145	158	7660150000	254, 262	7686000015	178
7445161625	252, 260	7577000167	40	7660150001	278	7686000016	176
7445161637	226	7577000273	240, 246	7660152601	158, 202, 226	7686000017	178
7445161645	252, 260	7577000320	116	7660152604	184, 186, 188, 190, 196, 278	7686000018	176
7446502518	158, 278	7577000368	164	7660160000	22, 240, 246	7686000019	180, 182
7454000003	160	7577250204	120			7686000031	194
7454000004	160	7577250255	112			7686000041	176
7454000005	160	7577250271	124, 128				
7454000006	160	7577250334	136, 140				
7457000006	214, 276, 304	7585000009	184, 186, 188, 190				

Part Number	Page	Part Number	Page	Part Number	Page	Part Number	Page
7686000042	178	7754000058	30	7894000028	162, 164	7950150161	158, 202, 214, 226
7686000050	194	7754000083	72, 78	7894000031	214	7950150163	188
7686000081	180, 182	7759000004	162, 164, 310	7894000037	162, 164	7950151063	190
7686000082	180, 182	7785152420	226	7894000041	162	7950160000	22, 30, 42, 54, 152, 204, 206, 227, 240, 246
7686000083	180, 182	7785181200	74	7894000042	214, 294, 306	7950160003	304
7686000084	180, 182	7786000008	122, 126	7894000057	164	7950160141	30, 54, 110, 114
7686000085	182	7790060676	226	7894000060	164	7950160143	32
7686000086	180, 182	7790100856	18, 178, 180, 182, 214, 276	7935000120	278	7950160161	18, 22, 38, 240, 246, 252, 260, 294
7690000810	196	7790141056	200	7935000273	54	7950160163	184, 186, 188, 190, 210, 304
7690021210	54	7790141251	176, 178, 180, 182, 306	7949000015	18, 110, 114	7950170000	80, 98, 154
7690144840	66, 68	7790141651	176, 178, 180, 182, 194	7949000016	18	7950170153	126
7690153245	84	7790142051	176, 178, 200	7949000019	192	7950180000	66, 68, 80, 90, 92, 106, 110, 114, 118, 138, 156, 168
7691000019	38	7790142051	176, 178, 200	7949000020	172, 174, 192	7950180141	18, 54, 110, 114
7691000020	160, 162, 164	7796000012	240, 246	7949000022	176, 178, 180, 182, 200, 306	7950180150*	142
7691000021	160, 162, 164	7796000031	196	7949000025	38, 188	7950180153	72, 78, 122, 134, 196, 206
7691000022	160	7796000038	184, 186, 188, 190	7949000053	214	7950180161	66, 68, 110, 114, 118, 182, 292
7691000025	166	7796000078	176, 178	7949000072	294	7950180252	192
7691000026	162, 164	7796000084	212	7949000074	184, 186, 190	7950180800	80, 98, 154
7691000047	110, 114	7796000099	212	7950000000	130	7950200000	48, 60, 62, 150
7691000048	30, 32	7796250068	116	7950000000	130	7950200141	60, 62
7691000049	54	7806000008	240	7950100103	212	7950200151	92, 106, 156
7691000050	54	7809000006	142	7950100143	188, 190	7950200161	48, 172, 174
7701000003	240, 246	7809000018	72, 78	7950100153	184, 186	7950220000	24, 88, 96, 114
7740000001	214, 276, 304	7821000003	212	7950140000	52, 66, 68, 122, 126, 134, 138, 240, 246	7950220141	24, 60, 62, 96, 110, 114, 130
7740000003	18, 268	7831000040	196	7950140003	176, 178, 180, 182, 188, 190	7950220142	46
7740000008	214	7843000020	188, 190, 196	7950140003	176, 178, 180, 182, 188, 190	7950220151	88
7754000008	38	7843000022	184, 186	7950140141	54, 200, 214, 224	7970000069	142
7754000009	240, 246	7843000026	188, 190	7950140143	176, 178, 188, 190, 290, 298, 300	7970000169	78
7754000014	66, 68	7843000038	54	7950140153	38	7970140151	198
7754000018	118, 130	7865000001	184, 186, 188, 190, 196	7950140161	52, 240, 246, 276	7978000011	214
7754000033	38	7870000043	214	7950140163	180, 182, 184, 186, 188, 190, 196, 206		
7754000042	170	7870000123	214				
7754000043	122, 126, 134, 138	7870000128	288				
7754000049	94, 142	7870000129	288				
7754000051	118, 130	7870000143	214				
7754000055	66, 68						
		7894000004	226, 276				
		7894000010	214, 298, 300, 302, 308				

Part Number	Page	Part Number	Page	Part Number	Page	Part Number	Page
7990000027	54	9254250009	124	9577960113	88, 92	9754960030	90
8597650001	214	9280960002	82, 144	9577960119	80, 98	9754960046	108, 152
8597650002	300, 302, 308	9281960004	84	9577960120	80, 98, 154	9754960047	108, 152
8632000011	174, 192	9295310027	276	9577960139	154	9763250009	40
8632000012	276	9295310029	276	9661960033	88	9763250022	112
8977010103	288	9295310030	276	9661960034	106	9763250025	128
8977030200	304	9295310031	276	9690960039	92, 156	9763250026	128
8977030300	304	9295310061	276	9691960019	92, 156	9796250057	40, 136, 140
8977500100	288	9295310068	276	9691960021	80, 98, 154	9796250058	70, 136, 140
9007250005	124, 128	9295310069	276	9691960032	76	9796250061	40
9020960002	92, 156	9309960011	152	9698250014	120	9796250062	112, 116, 120, 132
9064960001	92	9314960022	152	9698250017	112	9796250066	40
9064960007	156	9330960006	146	9698250018	124, 128	9796250068	132
9064960008	76	9443960006	80, 154	9698250019	124, 128	9796250071	70, 112, 120
9073960002	88	9443960010	74	9698960008	80, 98, 154	9796250073	40, 136, 140
9073960003	150	9443960019	74	9698960009	84	9796250080	40, 124, 128
9073960004	150	9443960020	76	9698960015	108, 152	9796250081	136, 140
9082960013	80, 98, 154	9443960021	76	9698960016	152	9796250083	116, 132
9082960014	80, 84	9472960029	80	9701960010	80	9796250084	70
9082960015	90	9472960030	84	9701960011	90, 108, 152	9796250113	112, 120
9082960018	146, 154	9472960032	80	9701960012	90, 108, 152	9796250117	112, 120
9120960019	92, 106, 156	9472960033	80	9701960013	80	9796250124	112, 120
9120960020	88	9472960036	84	9701960018	108, 152	9796250125	112
9120960024	74	9472960052	146	9706960027	80	9796250133	124, 128
9120960042	76	9472960053	146	9724250014	40	9796250135	124, 128
9120960054	74	9472960054	152	9754250009	40, 70, 136, 140	9796250137	124, 128
9120960063	92, 156	9472960055	146	9754250011	116, 132	9796250138	124, 128
9154960027	84	9472960056	146	9754250014	70, 136, 140	9796250149	70
9177960001	84	9552310033	276	9754250015	40, 124, 128	9796960085	80, 84, 90
9177960002	80	9553250009	40	9754250017	116, 132	9796960087	80, 84
9177960003	146	9553250010	136, 140	9754250043	112, 120	9796960088	80, 154
9177960004	154	9553250015	124, 128	9754250045	112, 120	9796960089	144
9178960011	92, 156	9553250016	128	9754250049	124, 128	9796960090	80
9183960001	80, 90, 108, 152	9570960005	76	9754250054	70	9796960093	84
9209960025	146	9571960006	80, 154	9754250055	70	9796960116	108
9209960026	108, 152	9575960012	144	9754960026	108, 152	9796960118	108
9254250007	116, 132	9577760232	274	9754960029	80, 84	9796960119	152

Part Number	Page	Part Number	Page	Part Number	Page
9796960120	146, 152	9970456008	74		
9796960121	146	9970960020	144		
9796960145	98	9970960027	74		
9796960157	74				
9796960159	74				
9796960188	102, 108				
9806960013	80				
9806960014	80				
9806960015	84				
9806960020	148				
9806960021	146				
9831960007	88				
9831960008	98				
9831960009	92, 156				
9831960018	144				
9843960023	92, 106, 156				
9843960025	84				
9843960032	108, 152				
9912250004	40				
9912250018	112				
9912250021	128				
9912960010	92, 156				
9935250025	128, 136, 140				
9935740034	274				
9935960026	80, 154				
9935960067	74				
9935960068	74				
9949000056	102				
9949960012	92, 156				
9949960013	84, 90				
9949960027	146				
9949960028	146, 152, 154				
9949960044	74				
9949960050	84, 92, 108, 156				
9949960051	88				
9949960057	102				
9970418177	76				



5376000164-1