

**HDR 1000
HEAVY DUTY ROTATOR
JFB BODY
PARTS MANUAL**

JERR-DAN[®]

An Oshkosh Corporation Company

13224 Fountainhead Plaza
Hagerstown, MD 21742
Phone (717) 597-7111
www.jerr-dan.com

5-376-000168
Rev 0 - November 1, 2014

© 2014 Jerr-Dan Corporation. All Rights Reserved

This manual covers the following Jerr-Dan Models:

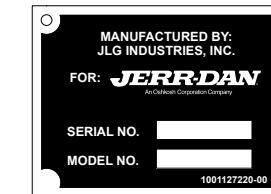
HDR1000 50 Ton Rotator

Jerr-Dan Corporation strives to provide information that is accurate, complete and useful. Descriptions and illustrative material contained within this manual are as accurate as known at the time of publication and are subject to change, without notice, as a result of continuous product improvements. Jerr-Dan reserves the right to amend the information in this document at any time without prior notice.

Information contained in this manual reflects how this vehicle was built at the factory. Modifications or additions by the distributor or owner are not reflected in this manual.

This parts manual does not include service parts information for the commercial chassis (IHC, Ford, GM, etc.). That information is provided by the chassis manufacturer.

When ordering parts, please refer to your unit's Serial Number and Model Number. This information is be found on the aluminum tag riveted to the inside of the driver's side rear compartment of the main body.



Additional or replacement manuals can be ordered by calling Jerr-Dan Parts at 717-597-7111. Price and availability will be quoted at time of the request.

Please report comments and/or errors by contacting Jerr-Dan Corporation's Technical Publications Department by e-mail at technicalpublications@jerr-dan.com or by FAX on 717-485-7162.

Manufactured under one or more of the following patents: 5,575,606; 5,672,042; 5,697,741; 5,713,714; 5,722,810; 5,782,596; 5,839,775 and 6,315,515 B1 with other Patents Pending.

Jerr-Dan and the Jerr-Dan logo are registered trademarks and Run Hard is a service mark of Jerr-Dan Corporation, Hagerstown, MD USA.

The material in this document is confidential and the property of Jerr-Dan Corporation. No part of this document may be photocopied, Reproduced or translated to another language without the express written consent of Jerr-Dan Corporation.

THIS PAGE INTENTIONALLY LEFT BLANK

TABLE OF CONTENTS

Subframe Installation.....	8	Auxiliary Winch Installation.....	94
Hydraulic Tube Installation - 9 Section.....	10	Auxiliary Winch Cable Tie-Back Installation.....	96
Hydraulic Tube Installation - 11 Section.....	14	DP Winch 20K - Moter End Installation.....	98
Hydraulic Tank Installation.....	18	DP Winch 20K - Drum Installation.....	100
Hydraulic Tank Assembly - 1001127996.....	20	DP Winch 20K - Gear End Installation.....	102
Oil Tank Cooler - 1001151763.....	22	DP Winch 20K - Input Shaft Istallation.....	104
S100 Outrigger/Stabilizer Installation - 1001129409 - Standard.....	24	DP Winch 20K - Base Mount Installation.....	106
S130 Outrigger/Stabilizer Installation - 1001179155 - Extended.....	26	DP Winch 20K - Gear End Cover Installation.....	108
Outrigger/Stabilizer Lift Cylinder - 1001127311.....	28	Underlift Boom Installation - 30,000/35,000 LB.....	110
Outrigger/Stabilizer Assembly - Standard.....	30	Underlift Lift Cylinder Assembly - 7320000040.....	112
Outrigger/Stabilizer Assembly - Extended.....	32	Underlift Boom Installation - 53,000/56,500 LB.....	114
Outrigger/Stabilizer Extension Cylinder - 1001127312.....	34	Underlift Lift Cylinder Assembly - 7320000063.....	116
Outrigger/Stabilizer Extension Cylinder - 1001179132.....	36	Underlift Installation - 30,000/35,000 LB.....	118
Rear Spade Installation.....	38	Underlift Tilt Cylinder Assembly - 7320000039.....	120
Spade Cylinder Assembly - 7320000006.....	40	Underlift Assembly - 3170000433 - 30,000 LB.....	122
Tail Board D-Ring Installation.....	42	Underlift Extension Cylinder Assembly - 7320000076.....	124
Slew Bearing Installation.....	44	Underlift Assembly - 3170000220 - 35,000 LB.....	126
Slew Drive Installation.....	46	Underlift Extension Cylinder Assembly - 7320000042.....	128
Swivel Installation.....	48	Underlift Installation - 53,000/56,500 LB.....	130
Swivel Assembly, Hydraulic/Electric - 1001129628.....	50	Underlift Tilt Cylinder Assembly - 7320000096.....	132
TurnTable Installation.....	52	Underlift Assembly - 3507100001 - 53,000 LB.....	134
House Lock Installation.....	54	Underlift Extension Cylinder Assembly - 7320000026.....	136
Wrecker Boom Installation - 3 Piece.....	60	Underlift Assembly - 3170000407 - 56,500 LB.....	138
Wrecker Boom Installation - 3 Piece W/ Auxiliary Winches.....	62	Underlift Extension Cylinder Assembly - 7320000068.....	140
Wrecker Boom Lift Cylinder - 1001127313.....	64	Drag Winch Installation.....	142
Wrecker Boom Assembly - 1001128463.....	66	DP Winch 35K - Cable Winch Drum Installation.....	144
Wrecker Boom Assembly - 1001158540 - w/Auxiliary Winch.....	68	DP Winch 35K - Gear End Installation.....	146
Extension Cylinder Assembly - 7320000085.....	70	DP Winch 35K - Input Shaft Installation.....	148
Winch Installation - 2 Speed 50K Ramsey.....	72	DP Winch 35K - Base Mount Installation.....	150
Ramsey 50K Winch - 1001128323 & 1001129495.....	74	DP Winch 35K - Gear End Cover Installation.....	152
Ramsey Winch Cable Tensioner Assembly - 70050360.....	76	DP Winch - Motor End Installation.....	154
Winch Installation - 2 Speed 50K Dp.....	78	DP Winch - Cable Hold Down Kit.....	156
DP Winch 50K - Motor End Installation.....	80	Trailer Auxiliary Installation.....	158
DP Winch 50K - Drum Installation.....	82	Underlift Tools - Frame Forks.....	160
DP Winch 50K - Gear End Installation.....	84	Underlift Tools - 14,000 LB Tire Lift.....	162
DP Winch 50K - Input Shaft.....	86	Underlift Tools - 25,000 LB Tire Lift.....	164
DP Winch 50K - Base Mount Installation.....	88	Underlift Tools - Fifth Wheel Attachment.....	166
DP Winch 50K - Gear End Cover Installation.....	90	Underlift Tools - Pintle Hook.....	168
DP Winch 50K - Cable Hold Down Kit.....	92	Crosstube Installation.....	170

TABLE OF CONTENTS

JFB Body Installation.....	172	Valve Assembly, 9 Section - 1001171113.....	280
Diamond Plate Installation.....	176	Valve Assembly, 9 Section - 1001127671.....	282
Fender Flare and Liner Installation.....	178	Control Valve - 9 Section - 1001131131.....	284
Grab Handle and Step Installation.....	180	Valve Assembly, 11 Section - 1001166966.....	288
Compartment Light Installation.....	182	Valve Assembly, 11 Section - 1001127327.....	290
Body Light Installation.....	184	Control Valve - 11 Section - 1001157093.....	292
Pin Storage Installation.....	186	Outrigger Controls Installation.....	296
JFB Body Door Installation.....	188	CS24 Series PTO Installation.....	300
Shackle Storage Rack Installation.....	190	82 Series PTO Installation.....	302
Snatch Block Storage Rack Installation.....	192	Wireless Remote Installation.....	304
Tool Storage Installation.....	194	Air Installation.....	306
Slide out Chain Board Installation.....	196	Air Valve - 1001129800.....	310
Rotary Chain Rack Installation.....	198	M-Plex Electrical Installation.....	312
Chain Binder Storage Installation.....	200	Emergency Stop Installation.....	316
Tire Lift Storage Installation.....	202	Headboard Assembly - 1001150180.....	318
Traffic Cone Storage Installation.....	204	Headboard Installation - 1001150422.....	320
Ladder Storage Installation.....	206	Wing Light Installation - 1001129862.....	322
Mid Body Shelving Installation.....	208	Lightbar 72" LED - WHELEN.....	324
Stay Dry Silo Installation.....	210	Upper Hook-Up Lights Installation.....	326
Tow Light Storage Installation.....	212	Lower Hook-Up Lights Installation.....	328
Bottle Jack Storage Installation.....	214	Upper Work Lights Installation.....	330
Toolbox Installation.....	216	Wrecker Boom Lights Installation.....	332
Wheel Chock Storage Installation.....	218	Outrigger Light Installation.....	334
Flashlight Mount Installation.....	220	Underlift Light Installation.....	336
Fifth Wheel Storage Installation.....	222	Decal Installation.....	338
Spreader Bar Rack Installation.....	224	Hydraulic Schematic.....	344
Frame Fork Storage Installation.....	226	Air Schematic.....	349
Fork Riser Storage Installation.....	228	Part Number Index.....	350
Slide Out Tool Storage Drawer Installation.....	230		
Battery Installation.....	232		
Mudflap Installation.....	234		
Spreader Bar Kit - 1001175920.....	236		
Spreader Bar Accessory Package - 1001174493.....	238		
RISC Accessory Package - 1001174485.....	240		
Rugged Accessory Package - 1001174490.....	246		
Body Lighting & Wiring Installation.....	248		
Back-Up Alarm Installation.....	258		
Hydraulic Installation.....	260		
Controls Installation - 9 Section & 11 Section.....	274		

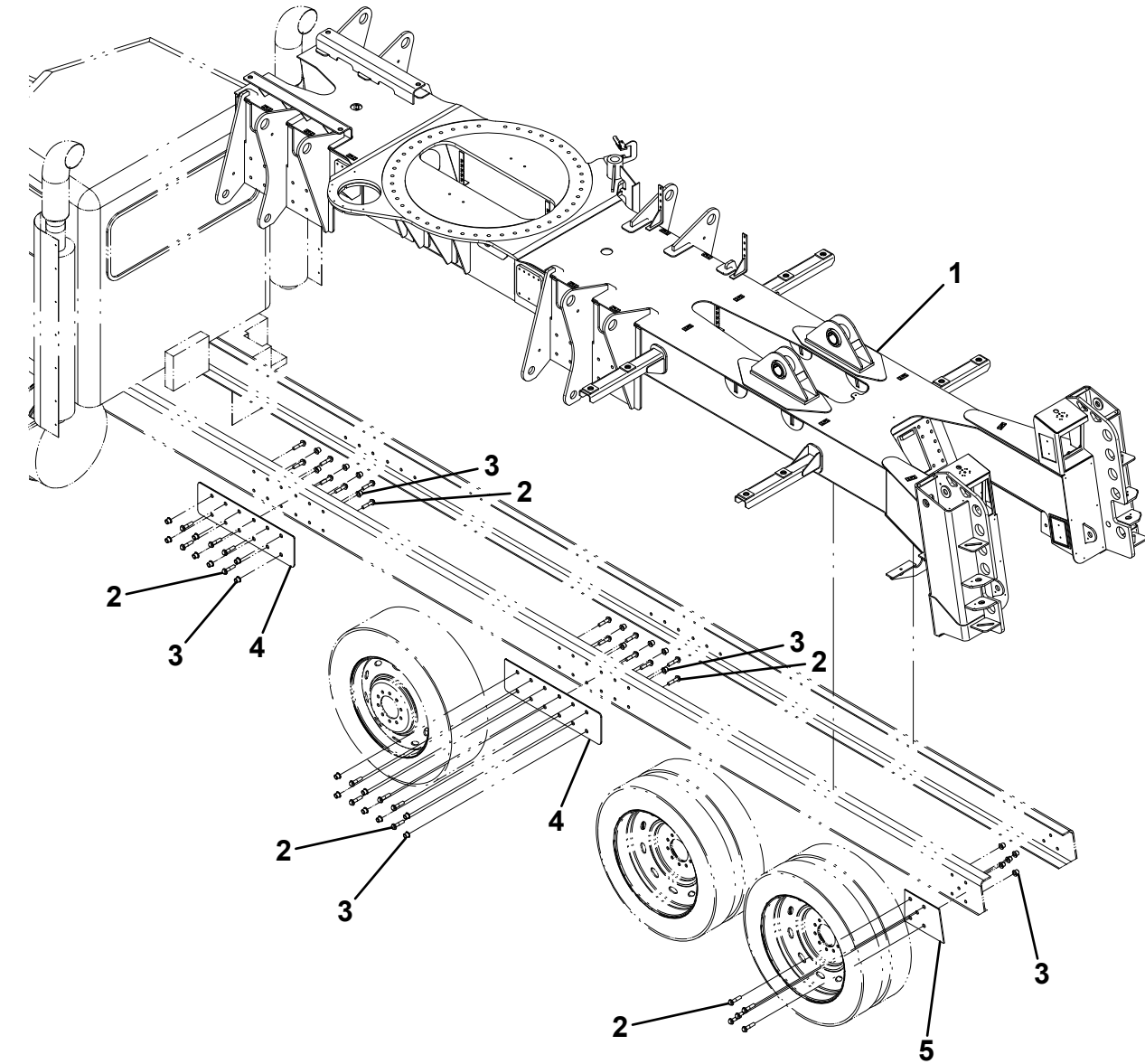
THIS PAGE INTENTIONALLY LEFT BLANK

SUBFRAME INSTALLATION

ITEM	PART NO.	DESCRIPTION	QTY
1	1001135645	Frame Weldment	1
2	7120000062	Huck Bolt, 0.75" Dia x 1.50-2.00"	58
3	7293000006	Huck Collar, 0.75	58
4	1001129777*	Shim	4
5	1001129778*	Shim	2

* Also Available In Shim Kit - 1001129786

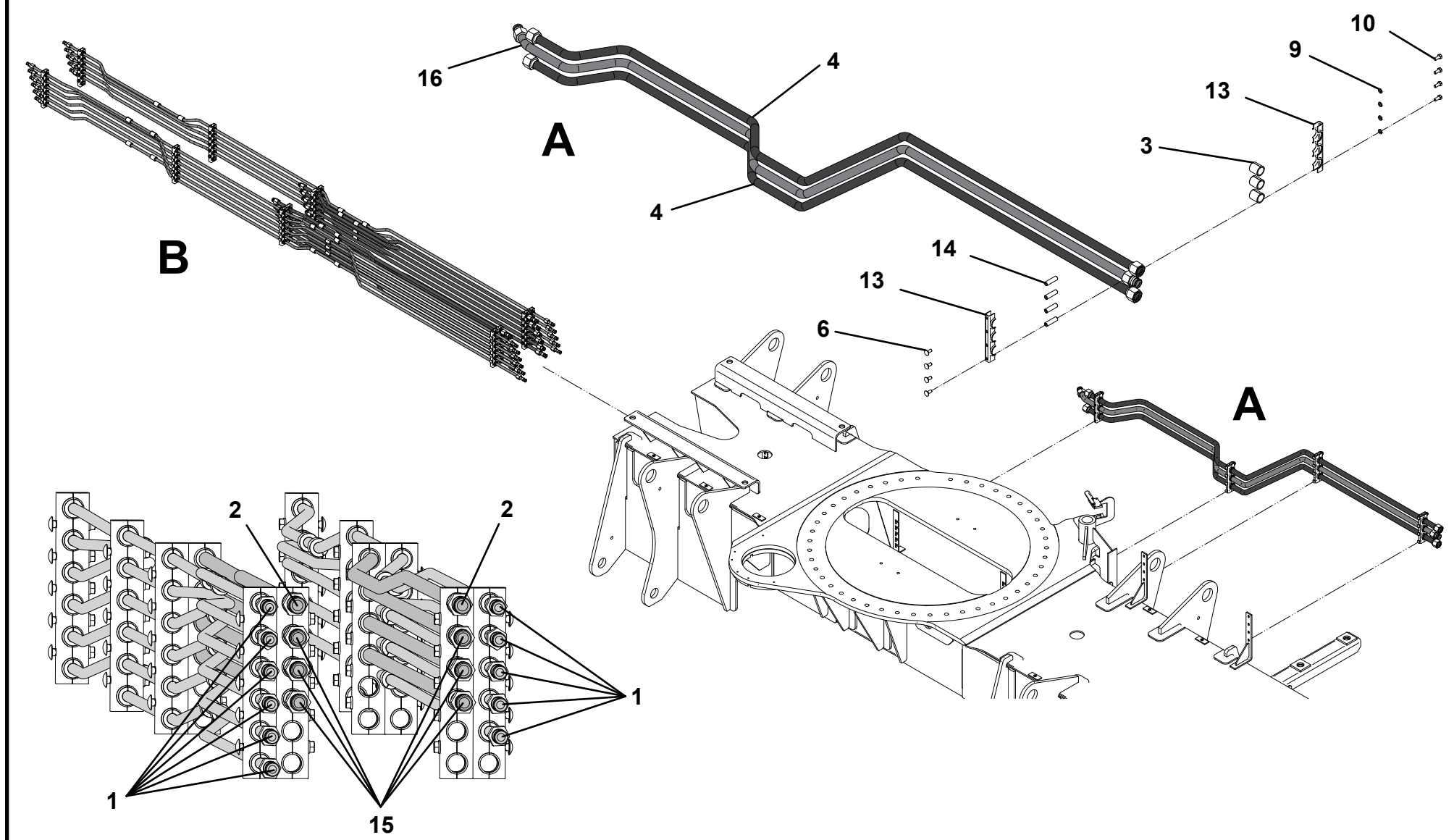
SUBFRAME INSTALLATION



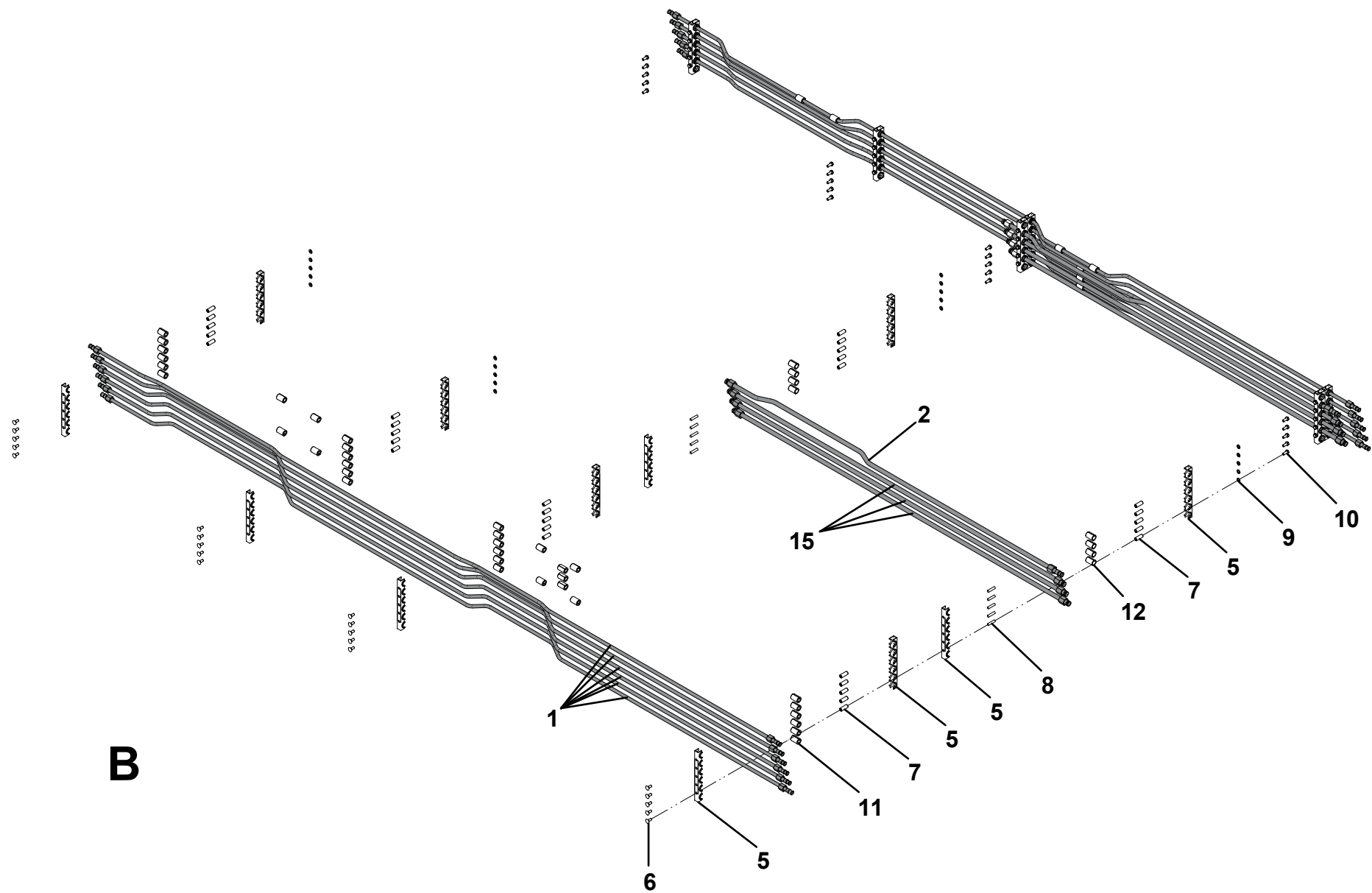
HYDRAULIC TUBE INSTALLATION - 9 SECTION

ITEM	PART NO.	DESCRIPTION	QTY
1	1001134739	Pipe, Tube Assembly	11
2	1001134740	Pipe, Tube Assembly	2
3	7209000033	Bushing	12
4	1001130395	Pipe, Tube Assembly	2
5	7274000030	Clamp Assembly	12
6	7115150664	Bolt, 0.31"-18NC x 0.75"	52
7	7661000022	Stacking Nut	60
8	7007000036	Thread Adapter	20
9	7950150000	Lockwasher, 0.31" ID	56
10	7115150650	Capscrew, 0.31"-18NC x 0.75"	56
11	7209000023	Bushing	62
12	7209000024	Bushing	16
13	7274000088	Clamp Assembly	4
14	7661000027	Stacking Nut	16
15	1001133571	Pipe, Tube Assembly	6
16	1001158142	Pipe, Tube Assembly	1

HYDRAULIC TUBE INSTALLATION - 9 SECTION



HYDRAULIC TUBE INSTALLATION - 9 SECTION

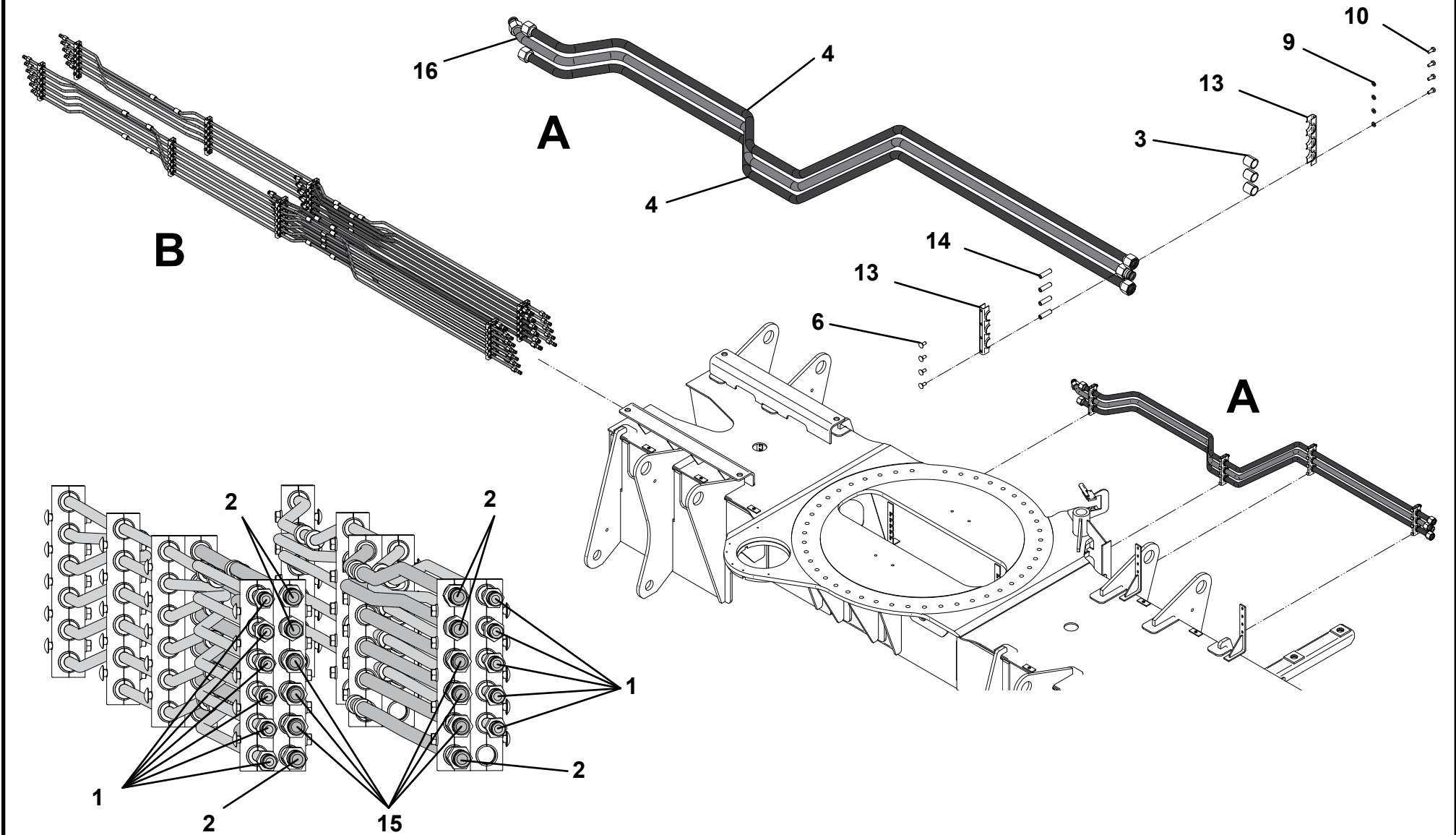


THIS PAGE INTENTIONALLY LEFT BLANK

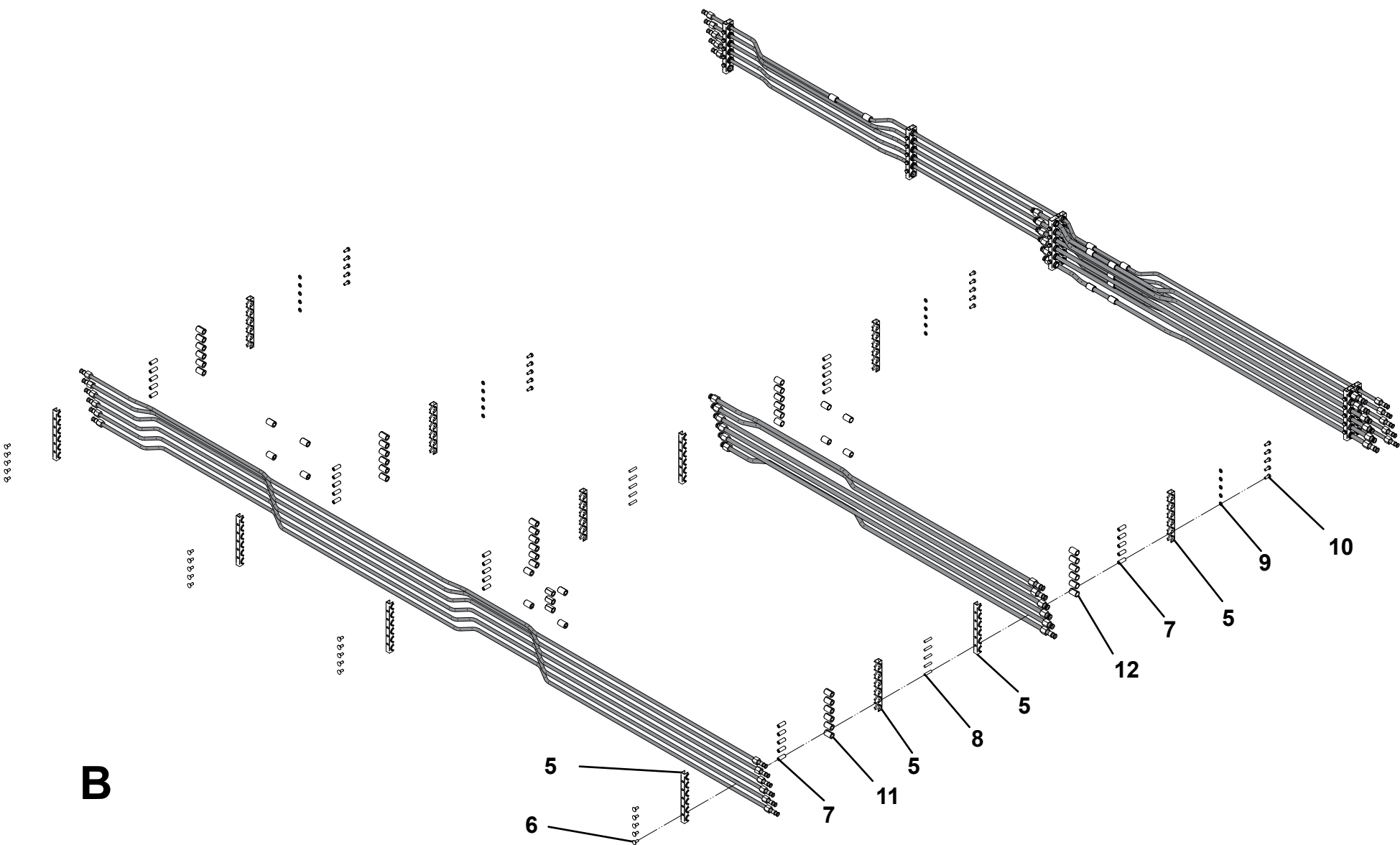
HYDRAULIC TUBE INSTALLATION - 11 SECTION

ITEM	PART NO.	DESCRIPTION	QTY
1	1001134739	Pipe, Tube Assembly	11
2	1001134740	Pipe, Tube Assembly	6
3	7209000033	Bushing	12
4	1001130395	Pipe, Tube Assembly	2
5	7274000030	Clamp Assembly	12
6	7115150664	Bolt, 0.31"-18NC x 0.75"	52
7	7661000022	Stacking Nut	60
8	7007000036	Thread Adapter	20
9	7950150000	Lockwasher, 0.31" ID	56
10	7115150650	Capscrew, 0.31"-18NC x 0.75"	56
11	7209000023	Bushing	62
12	7209000024	Bushing	32
13	7274000088	Clamp Assembly	4
14	7661000027	Stacking Nut	16
15	1001133571	Pipe, Tube Assembly	6
16	1001158142	Pipe, Tube Assembly	1

HYDRAULIC TUBE INSTALLATION - 11 SECTION



HYDRAULIC TUBE INSTALLATION - 11 SECTION

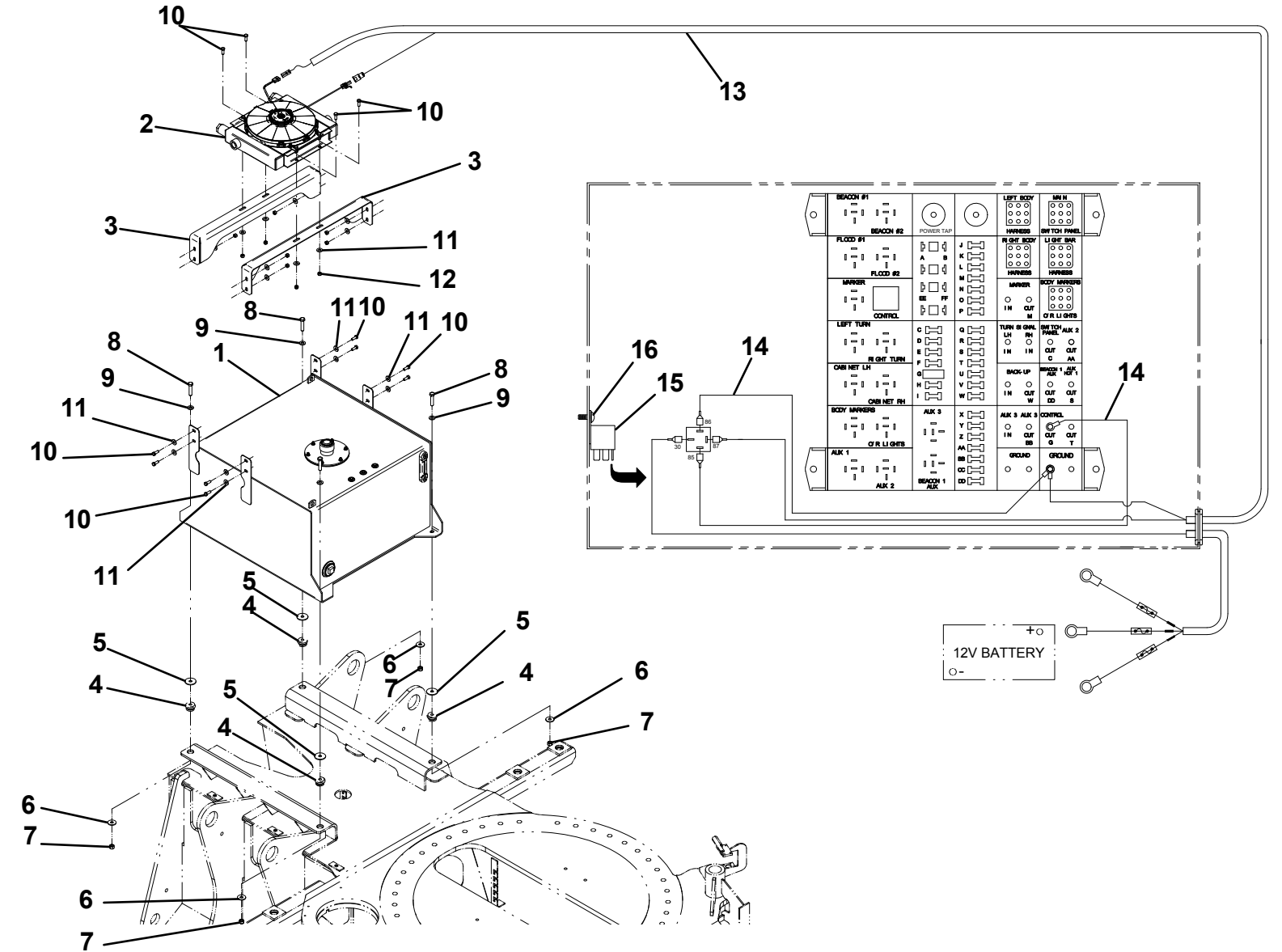


THIS PAGE INTENTIONALLY LEFT BLANK

HYDRAULIC TANK INSTALLATION

ITEM	PART NO.	DESCRIPTION	QTY
1	1001127996	Tank, Hydraulic	1
2	1001127315	Radiator, Remote Oil Cooler - NPT	1
	1001151763	Radiator, Remote Oil Cooler - O-Ring	
3	1001130437	Mount, Hydraulic Oil Cooler	2
4	7663000006	Mount, Center Bonded	4
5	7949000015	Washer, Head	4
6	7949000016	Washer, Tail	4
7	7660182601	Locknut, 0.50"-13NC	4
8	7115181850	Capscrew, 0.50"-13NC x 2.25"	4
9	7950180141	Flatwasher, 0.50" ID	4
10	7115160850	Capscrew, 0.38"-16NC x 1.00"	12
11	7950160161	Flatwasher, 0.38" ID	20
12	7660162601	Locknut, 0.38"-16NC	12
13	1001144068	Harness	1
14	1001144012	Harness	2
15	7740000003	Relay	1
16	7790100856	Screw, Self-Tapping, #10 x 0.50"	1

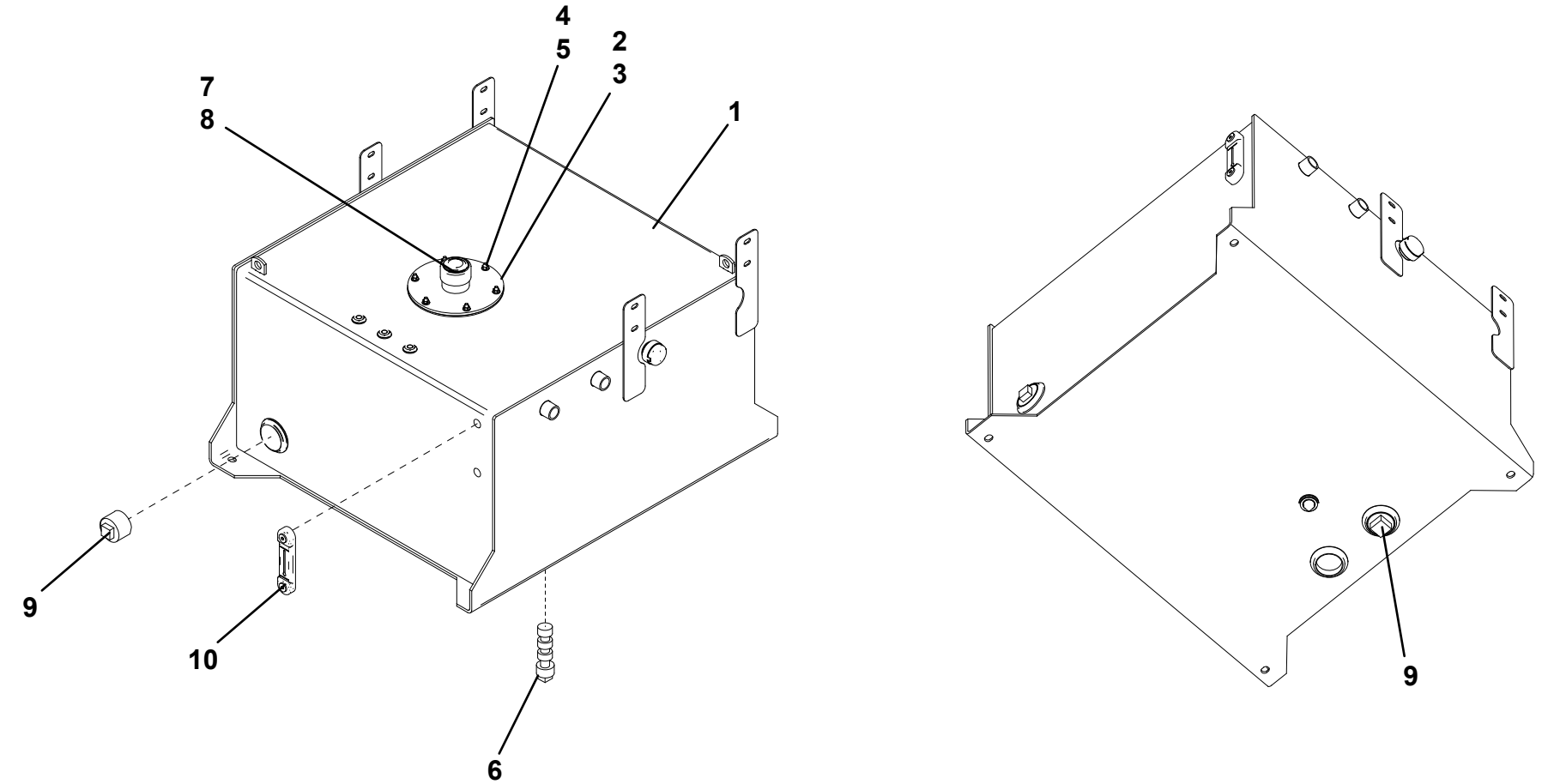
HYDRAULIC TANK INSTALLATION



HYDRAULIC TANK ASSEMBLY - 1001127996

ITEM	PART NO.	DESCRIPTION	QTY
1	70050386	Tank	1
2	70050387	Gasket	1
3	70050388	Cover Assembly	1
4	83304173	Washer, 0.25" ID	6
5	83304174	Nut, 0.25"	6
6	70050389	Magnetic Plug	1
7	7024445	Strainer	1
8	7024444	Vented Fill Cap	1
9	70050390	Plug	2
10	70050391	Sight Gauge	1

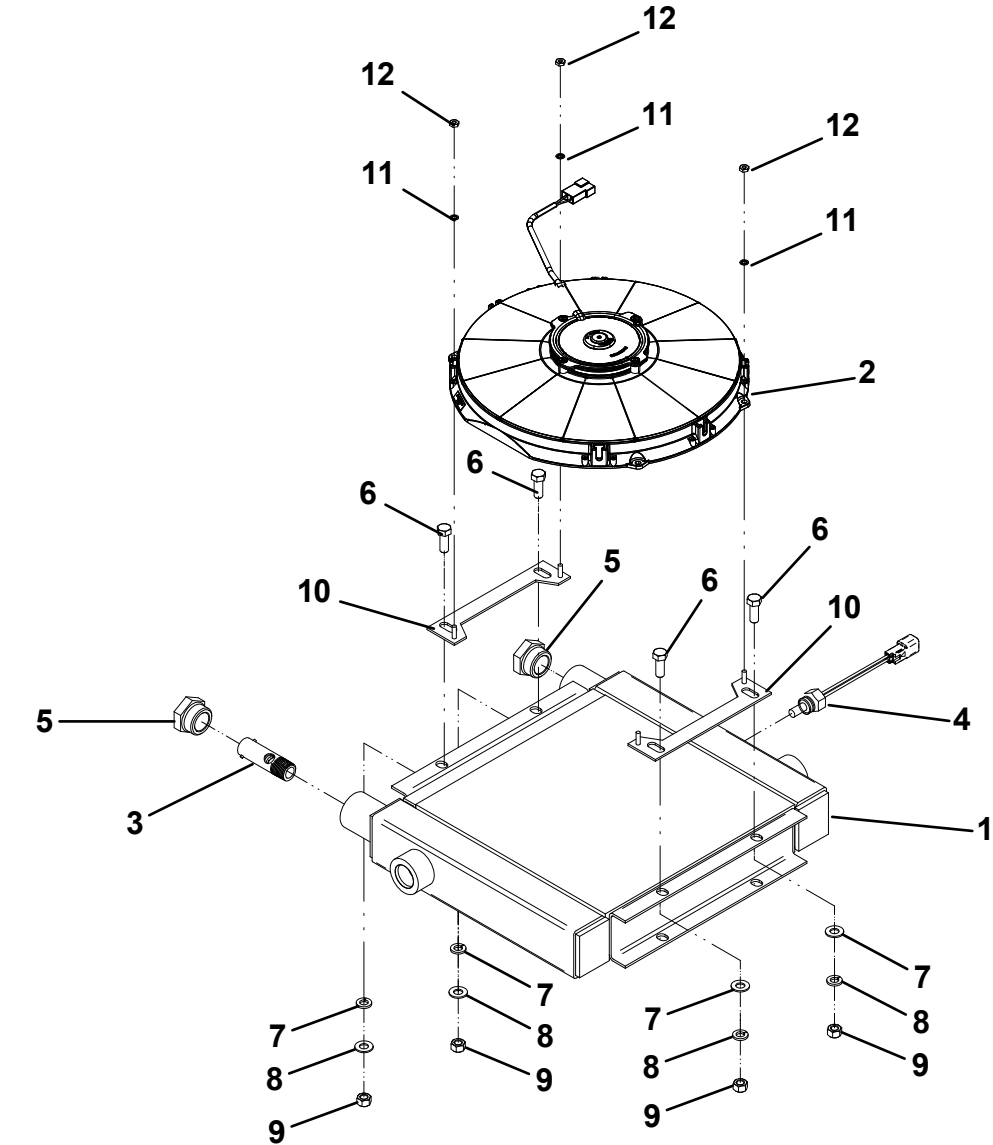
HYDRAULIC TANK ASSEMBLY - 1001127996



OIL TANK COOLER - 1001151763

ITEM	PART NO.	DESCRIPTION	QTY
1	70050273	Core, Cooler - NPT	1
	70050275	Core, Cooler - O-Ring	
2	70050276	Fan	1
3	70050277	Valve, Bypass Check	1
4	70050274	Switch, Temperature - NPT	1
	70050278	Switch, Temperature - O-Ring	
5	70050280	Plug	2
6	7115160850	Capscrew, 0.38"-16NC x 1.00"	4
7	7950160000	Lockwasher, 0.38" ID	4
8	7950160161	Flatwasher, 0.38" ID	4
9	7660160000	Nut, 0.38"-16NC	4
10	70050279	Bracket	2
11	70050281	Lockwasher, #10 ID	4
12	70050282	Locknut, #10	4

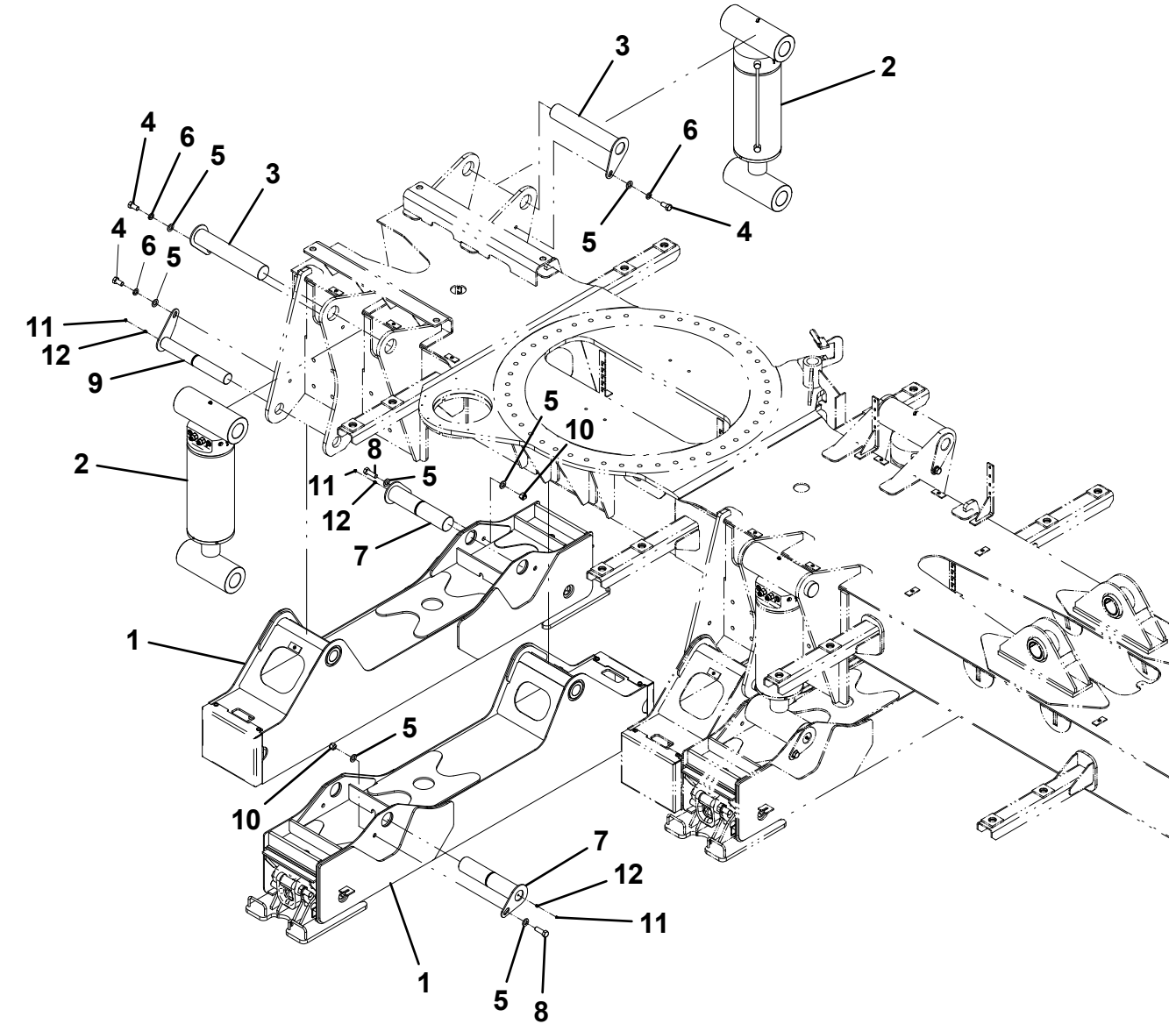
OIL TANK COOLER - 1001151763



S100 OUTRIGGER/STABILIZER INSTALLATION - 1001129409 - STANDARD

ITEM	PART NO.	DESCRIPTION	QTY
1	1001129405	Stabilizer Assembly	4
2	1001127311	Outrigger/Stabilizer Lift Cylinder Assembly	4
3	3691000227	Pin	4
4	0682212	Capscrew, 0.75"-10NC x 1.50"	8
5	7950220141	Flatwasher, 0.75" ID	16
6	7950220000	Lockwasher, 0.75" ID	8
7	1001129416	Pin	4
8	7118221850	Capscrew, 0.75"-10NC x 2.25"	4
9	3691000228	Pin	4
10	7660222601	Locknut, 0.75"-10NC	4
11	7253000002	Cap, Grease Fitting	8
12	7440000000	Grease Fitting	8

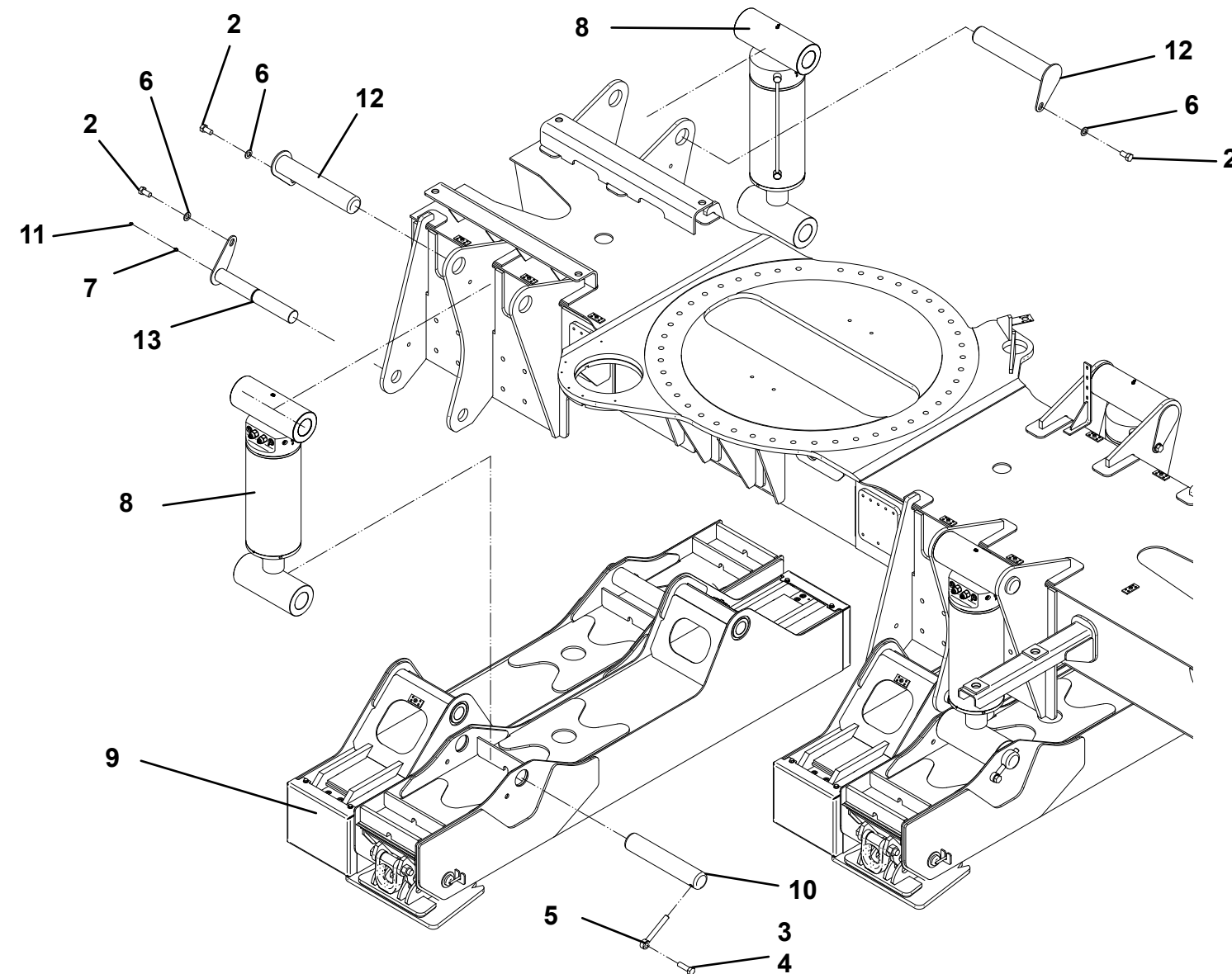
S100 OUTRIGGER/STABILIZER INSTALLATION - 1001129409 - STANDARD



S130 OUTRIGGER/STABILIZER INSTALLATION - 1001179155 - EXTENDED

ITEM	PART NO.	DESCRIPTION	QTY
1	100011	Loctite	A/R
2	682212	Bolt, 0.75"-10 X 1.50"	8
3	682220	Bolt, 0.75"-10 X 2.50"	4
4	3272201	Nut, 0.75"-10	4
5	3841287	Keeper Rod	4
6	4712200	Washer, 0.75" ID	8
7	88671001	Grease Fitting	4
8	1001127311	Cylinder	4
9	1001179131	Stabilizer - Extended	4
10	1001179153	Pin	4
11	7253000002	Grease Fitting Cap	4
12	3691000227	Pin	4
13	3691000228	Pin	4

S130 OUTRIGGER/STABILIZER INSTALLATION - 1001179155 - EXTENDED

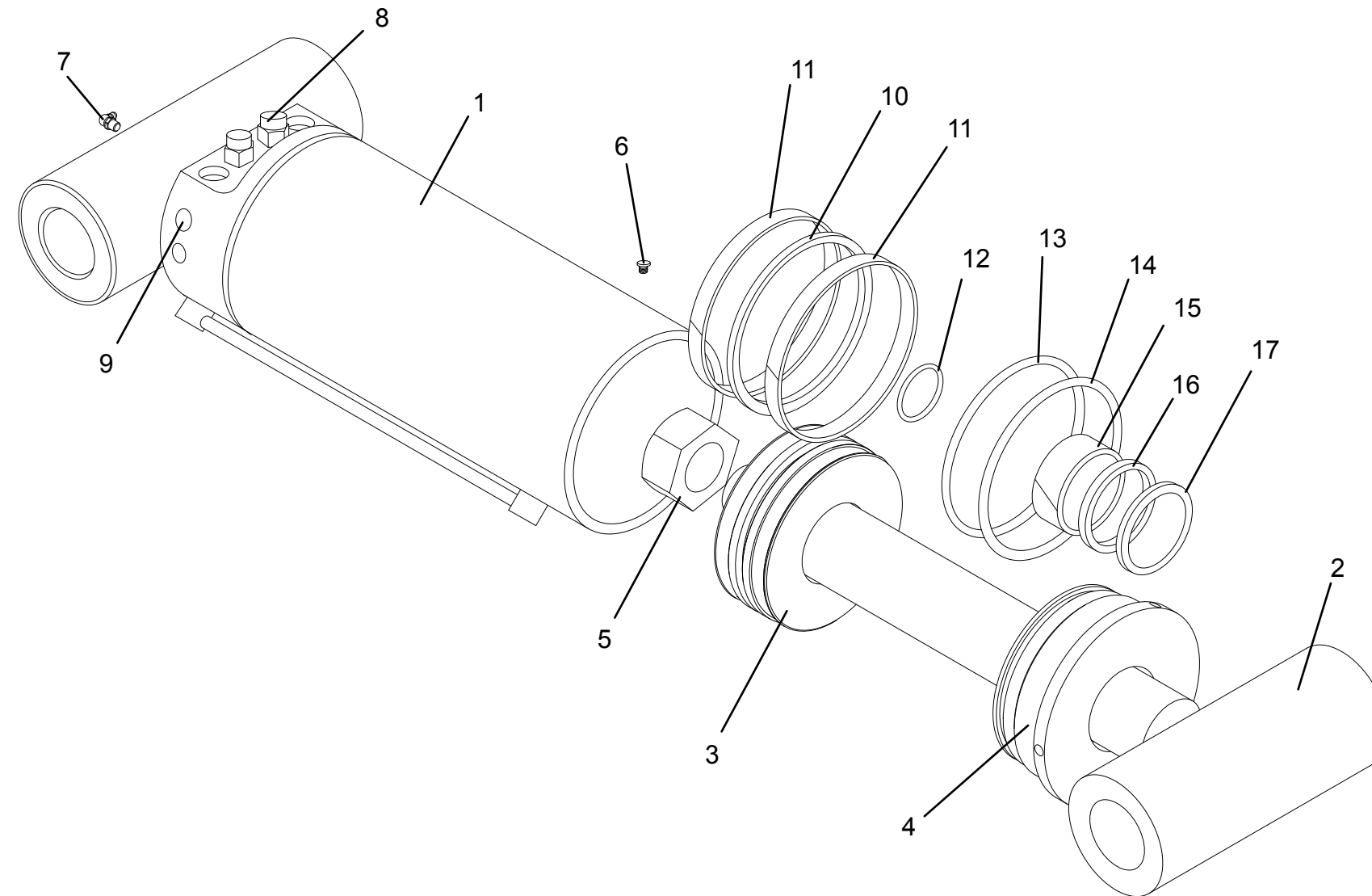


OUTRIGGER/STABILIZER LIFT CYLINDER - 1001127311

ITEM	PART NO.	DESCRIPTION	QTY
1	70050424	Barrel Assembly	1
2	70050425	Rod Assembly	1
3	70050430^	Piston	1
4	70050435*	Rod Bearing	1
5	90022234	Locknut, 2.25"-12UNF	1
6	7029760	Locking Screw	1
7	70022603	Grease Fitting	1
8	70050428	Counter Balance Valve	2
9	70022067	Steel SAE O-Ring Plug #4	4
10	70050432^#	Rectangular Piston Seal	1
11	70050434^#	Wear Ring, Piston	2
12	70050433^#	O-Ring	1
13	70050438*#	O-Ring	1
14	70050439*#	Backup Ring	1
15	70050440*#	Wear Ring	1
16	70050436*#	Rod Seal	1
17	90022282*#	Wiper	1

^ Items Sold in Piston Assembly - 70050426
* Items Sold in Rod Bearing Assembly -70050427
Items Sold in Seal Kit - 70050431

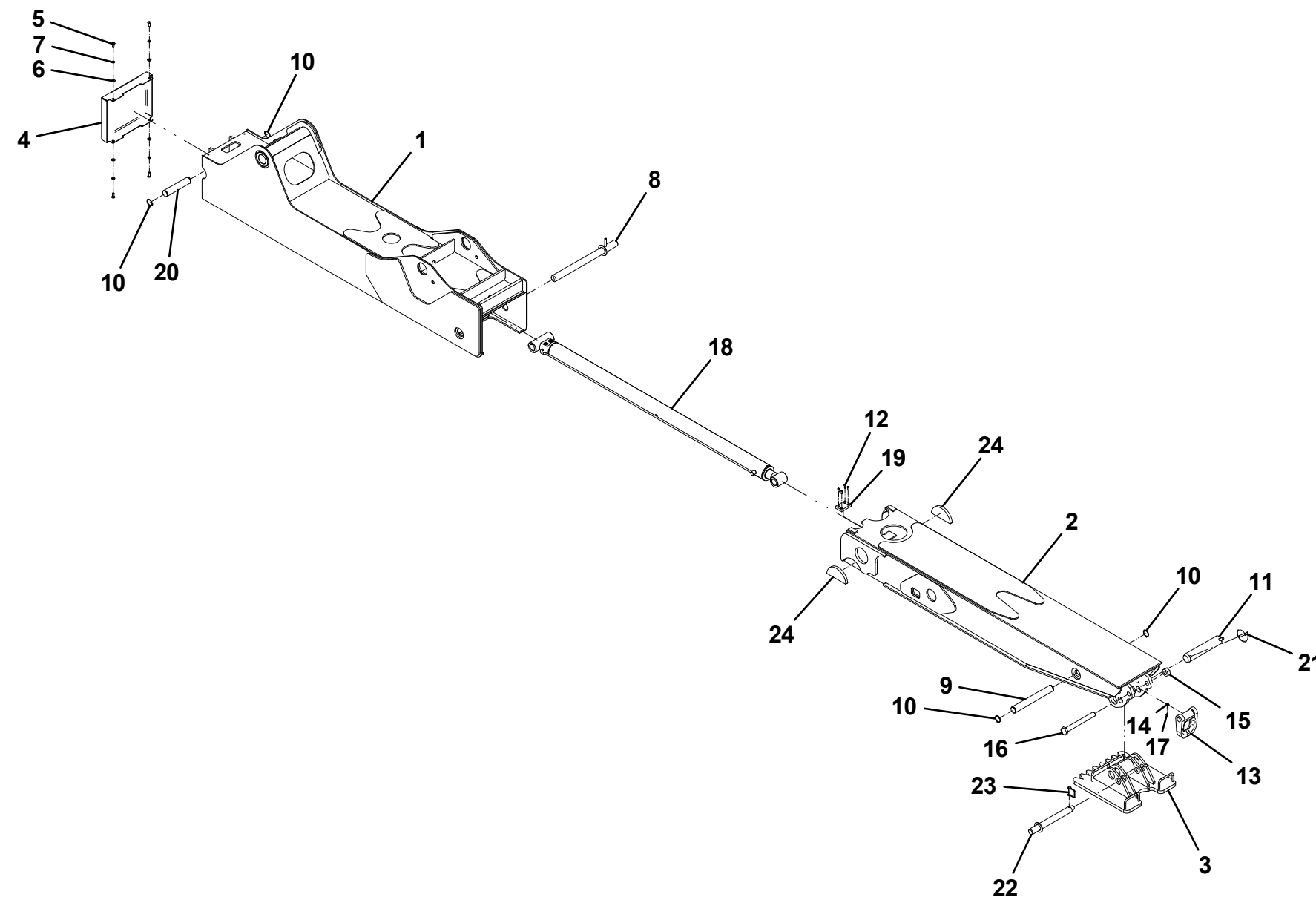
OUTRIGGER/STABILIZER LIFT CYLINDER - 1001127311



OUTRIGGER/STABILIZER ASSEMBLY - STANDARD

ITEM	PART NO.	DESCRIPTION	QTY
1	1001127918	Outer Stabilizer Weldment	1
2	1001135652	Inner Stabilizer Weldment	1
3	3706000348	Stabilizer Plate Weldment	1
4	1001129498	Cover Panel	1
5	7114160818	Capscrew, 0.38"-16NC x 1.00"	4
6	7950160141	Flatwasher, 0.38" ID	4
7	7950160000	Lockwasher, 0.38" ID	4
8	3691000247	Pin	1
9	1001129406	Pin	1
10	7754000058	Retaining Ring	4
11	3691000253	Pin	1
12	7114140618	Capscrew, 0.25"-20NC x 0.75"	4
13	4754000006	D-Ring	1
14	7440030400	Grease Fitting	1
15	7660262600	Locknut, 1.00"-8NC	1
16	1001154786	Capscrew, 1.00"-8NC x 9.00"	1
17	7253000002	Cap, Grease Fitting	1
18	1001127312	Outrigger/Stabilizer Extension Cylinder	1
19	4679000243	Pad	1
20	4691000489	Pin	1
21	1001003803	Pin	1
22	3691000223	Pin	1
23	7691000048	Pin	1
24	1001135667	Pad, Wear	2

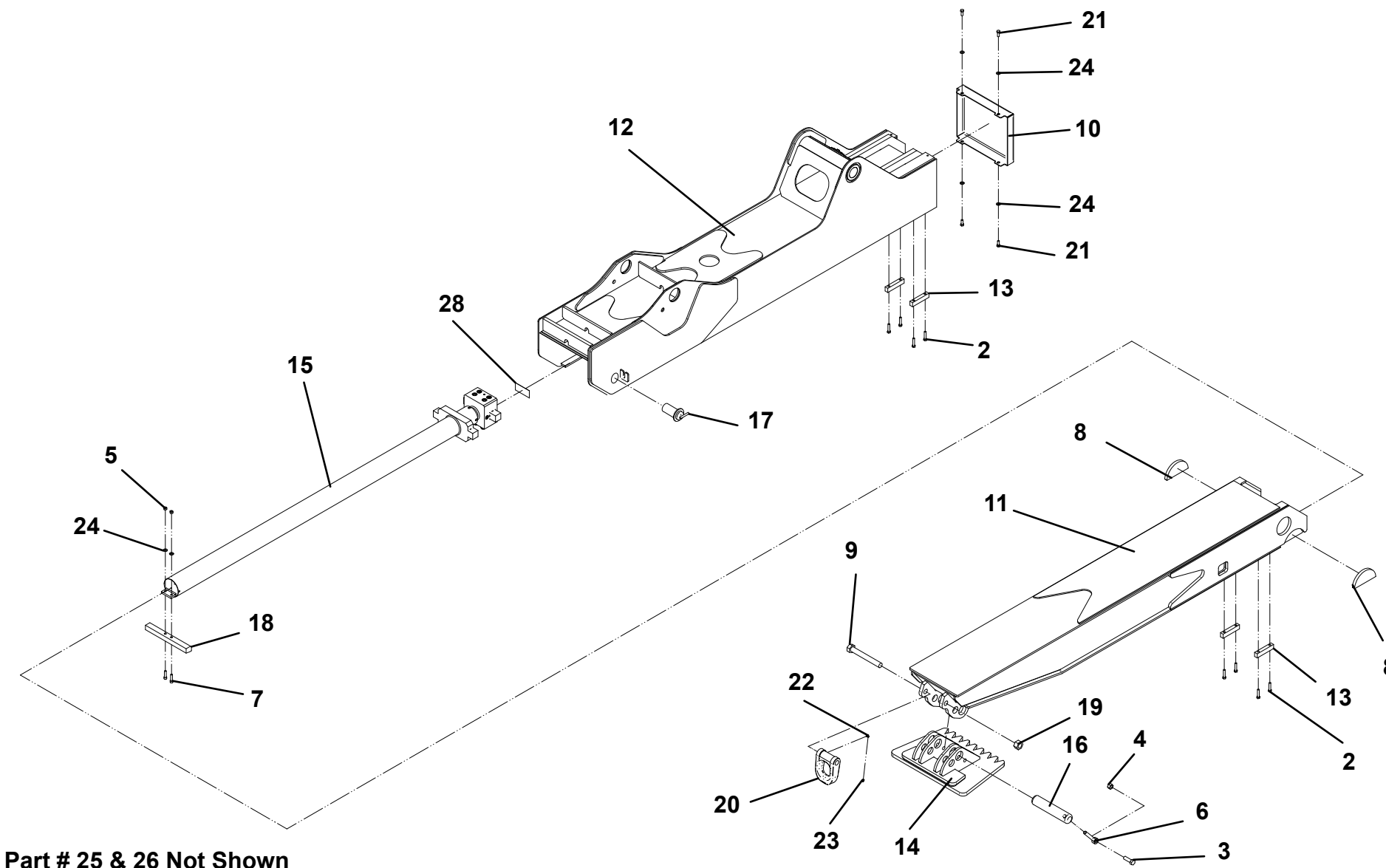
OUTRIGGER/STABILIZER ASSEMBLY - STANDARD



OUTRIGGER/STABILIZER ASSEMBLY - EXTENDED

ITEM	PART NO.	DESCRIPTION	QTY
1	100011	Loctite	A/R
2	641614	Screw, 0.375"-16 X 1.75"	8
3	682016	Screw, 0.625"-11 X 2.00"	1
4	3272001	Nut, 0.625"-11	1
5	3311605	Nut, 0.375"-16	2
6	3841258	Keeper	1
7	3931624	Screw, 0.375"-16 X 1.50"	2
8	1001135667	Pad	2
9	1001154786	Bolt, 1.00"-8 X 8.00"	1
10	1001178692	Panel	1
11	1001178865	Inner Stabilizer Weldment	1
12	1001178867	Outer Stabilizer Weldment	1
13	1001179003	Retainer	4
14	1001179129	Pad	1
15	1001179132	Outrigger/Stabilizer Extension Cylinder	1
16	1001179143	Pin	1
17	1001179160	Pad	1
18	1001179170	Pad	1
19	3272605001	Nut, 1.00"-8	1
20	4754000006	D-Ring	1
21	7114160850	Screw, 0.375"-16 X 1.00"	4
22	7253000002	Grease Cap	1
23	7440030400	Grease Fitting	1
24	7950160143	Washer, 0.38" ID	6
25	3691000223	Pin	1
26	7691000048	Snap Pin	1
27	3020029	Grease	A/R
28	1001158844	Decal	1

OUTRIGGER/STABILIZER ASSEMBLY - EXTENDED



OUTRIGGER/STABILIZER EXTENSION CYLINDER - 1001127312

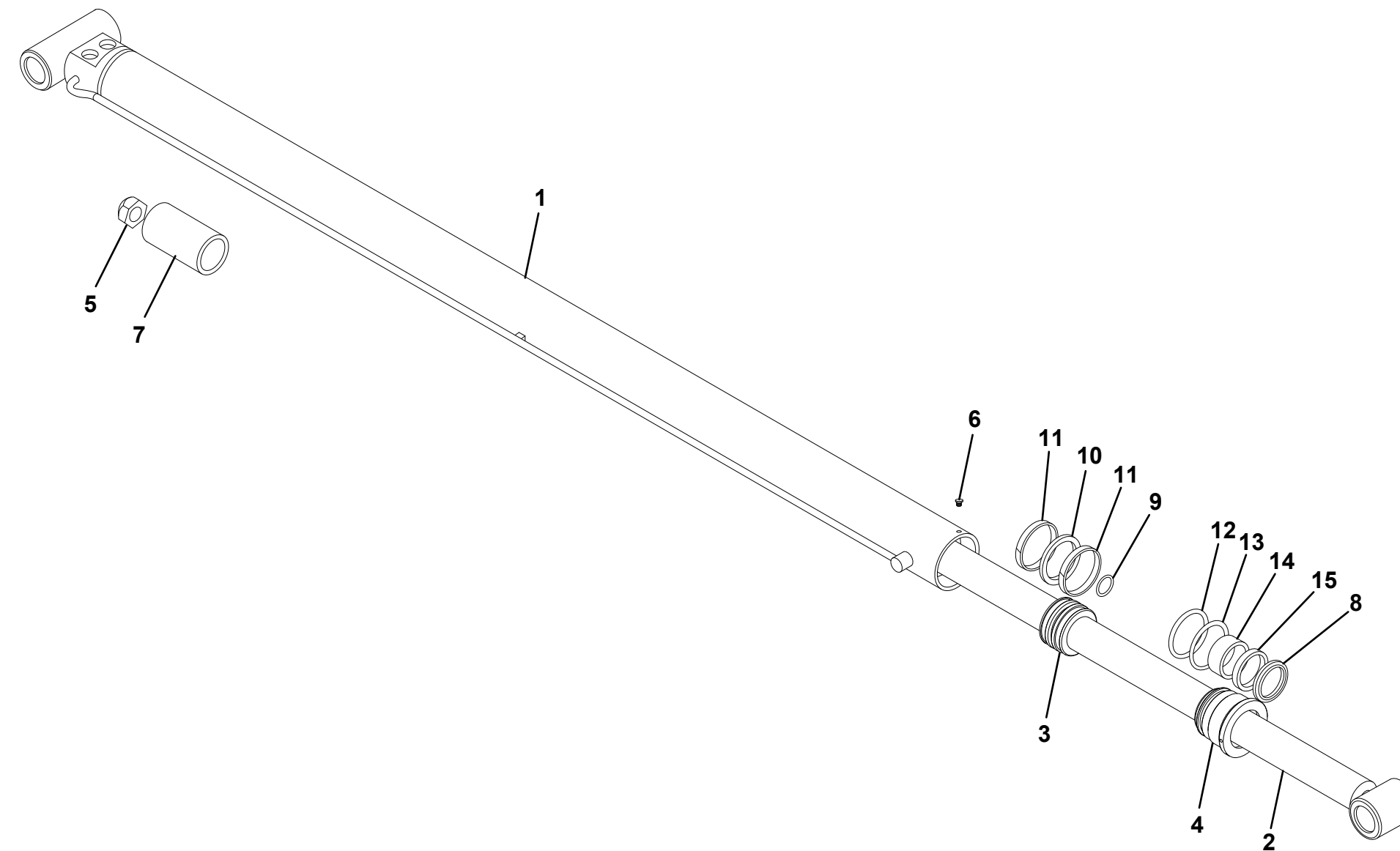
ITEM	PART NO.	DESCRIPTION	QTY
1	70050414	Barrel Weldment	1
2	70050437	Rod Weldment	1
3	70050445*	Piston	1
4	70050450^	Rod Bearing	1
5	91024100	Locknut, 1.00"-14NF	1
6	7029760	Screw, Locking	1
7	70050444	Stroke Limiter	1
8	91034051#^	Seal, Wiper	1
9	70050448#*	Seal, O-Ring	1
10	70050447#*	Seal, Piston	1
11	70050449#*	Wear Ring	2
12	70050439#^	Seal, O-Ring	1
13	70050438#^	Seal, Backup Ring	1
14	70050452#^	Wear Ring	1
15	70050451#^	Seal, Rod	1

* Items Sold in Piston Assembly - 70050441

^ Items Sold in Rod Bearing Assembly - 70050442

Items Sold in Seal Kit - 70050446

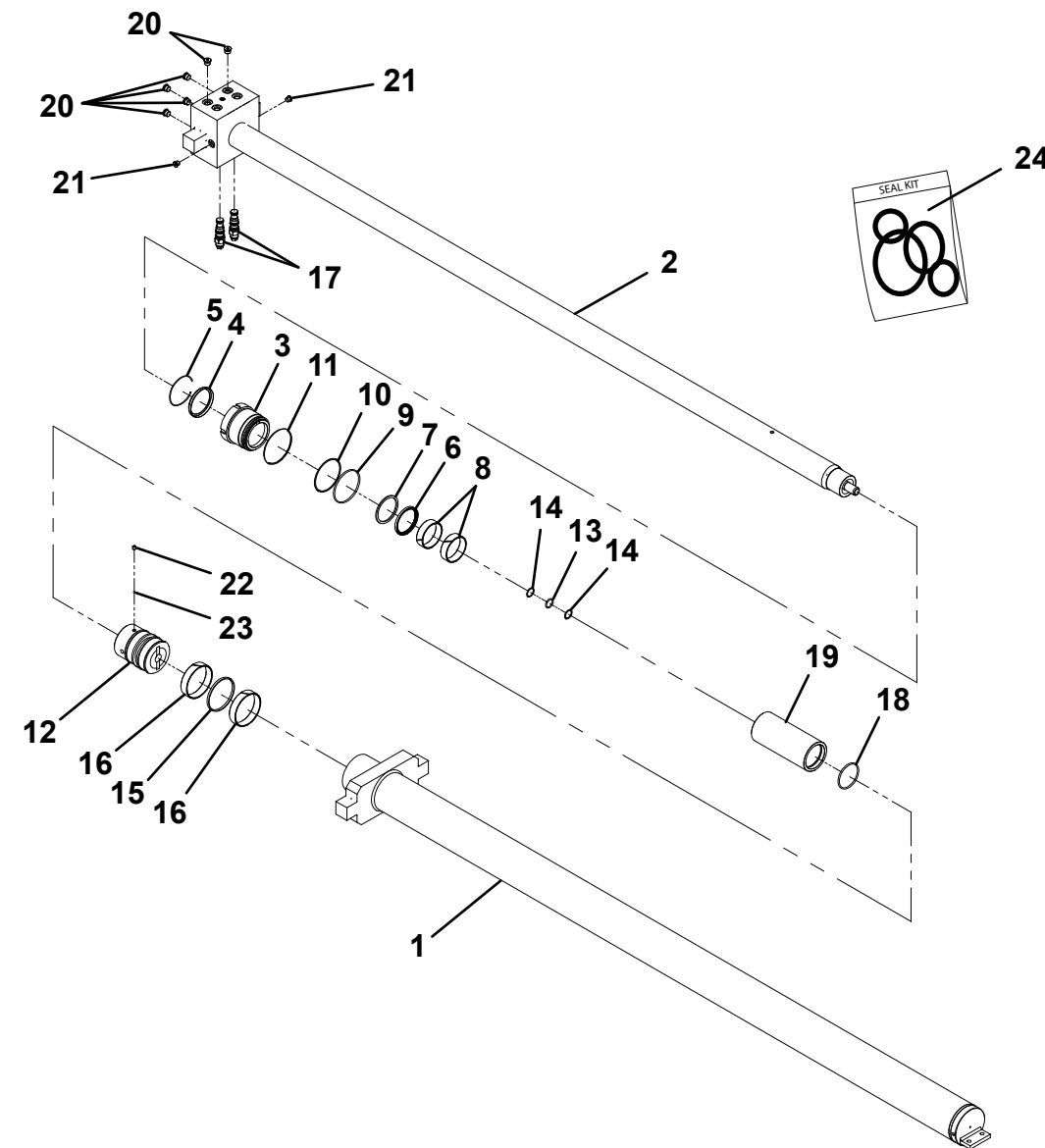
OUTRIGGER/STABILIZER EXTENSION CYLINDER - 1001127312



OUTRIGGER/STABILIZER EXTENSION CYLINDER - 1001179132

ITEM	PART NO.	DESCRIPTION	QTY
1	70050791	Barrel Weldment	1
2	70050792	Rod Weldment	1
3	70050793	Cap	1
4	70050794	Seal, Wiper	1
5	70050795	Retaining Ring	1
6	70050796	Seal, Rod	1
7	70050797	Seal, Backup Ring	1
8	70050798	Wear Ring	2
9	70050799	Seal, O-Ring	1
10	70050800	Ring, Backup	1
11	70050801	Seal, Ring	1
12	70050802	Piston	1
13	70050803	Seal, O-Ring	1
14	70050804	Ring, Backup	2
15	70050805	Seal, Piston	1
16	70050806	Wear Ring	2
17	70050807	Counter Balance	2
18	70050808	Seal, O-Ring	1
19	70050809	Spacer	1
20	70023371	Plug	6
21	70023370	Plug	2
22	70022563	Set Screw, M8 x 1.25	1
23	70022564	Steel Ball	1
24	70050810	Seal Kit	1

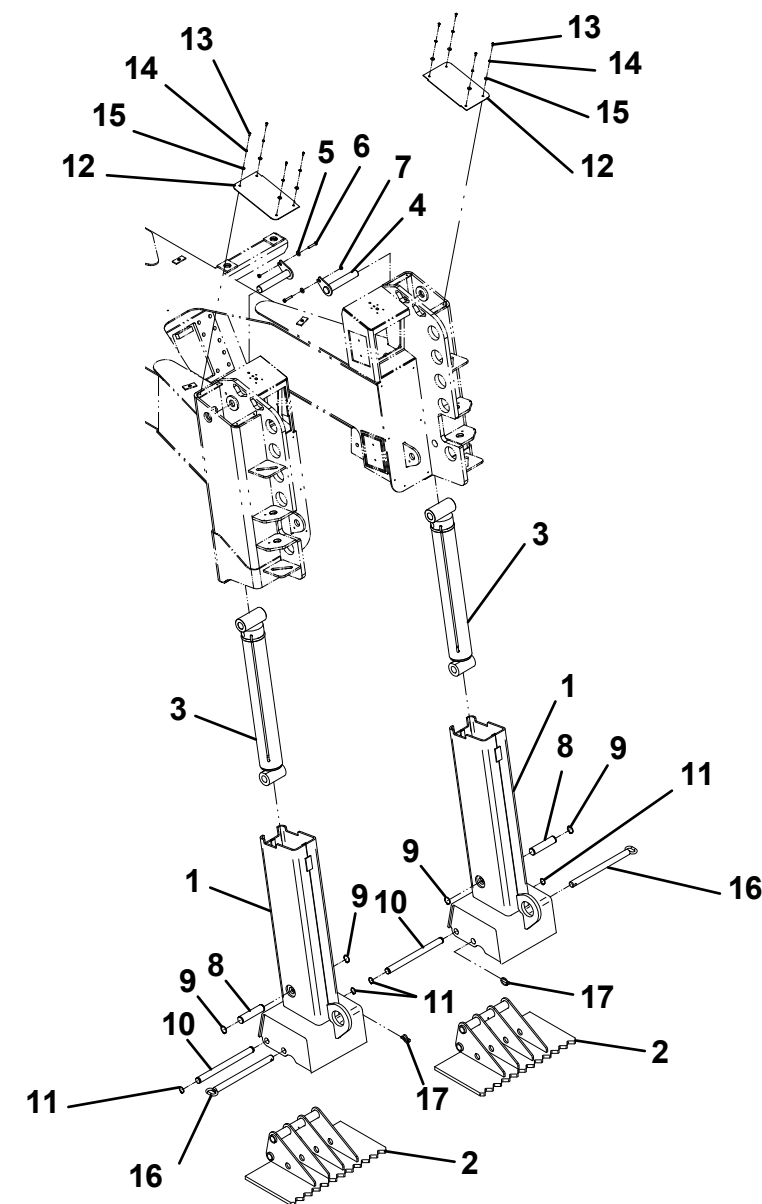
OUTRIGGER/STABILIZER EXTENSION CYLINDER - 1001179132



REAR SPADE INSTALLATION

ITEM	PART NO.	DESCRIPTION	QTY
1	3263000118	Channel Weldment	2
2	3706000261	Spade Claw Plate	2
3	7320000006	Spade Cylinder Assembly	2
4	3691000267	Pin	2
5	7950160161	Flatwasher, 0.38" ID	2
6	7115161650	Capscrew, 0.38"-16NC x 2.00"	2
7	7660162601	Locknut, 0.38"-16NC	2
8	7491000207	Pin"	2
9	7754000033	Retaining Ring	4
10	4691000200	Pin	2
11	7754000008	Retaining Ring	4
12	4706003716	Plate	2
13	7114140518	Capscrew, 0.25"-20NC x 0.63"	8
14	7949000025	Lockwasher 11MM ID	8
15	7950140153	Flatwasher, 0.25" ID	8
16	3691000126	Pin	2
17	7691000019	Lynch Pin	2

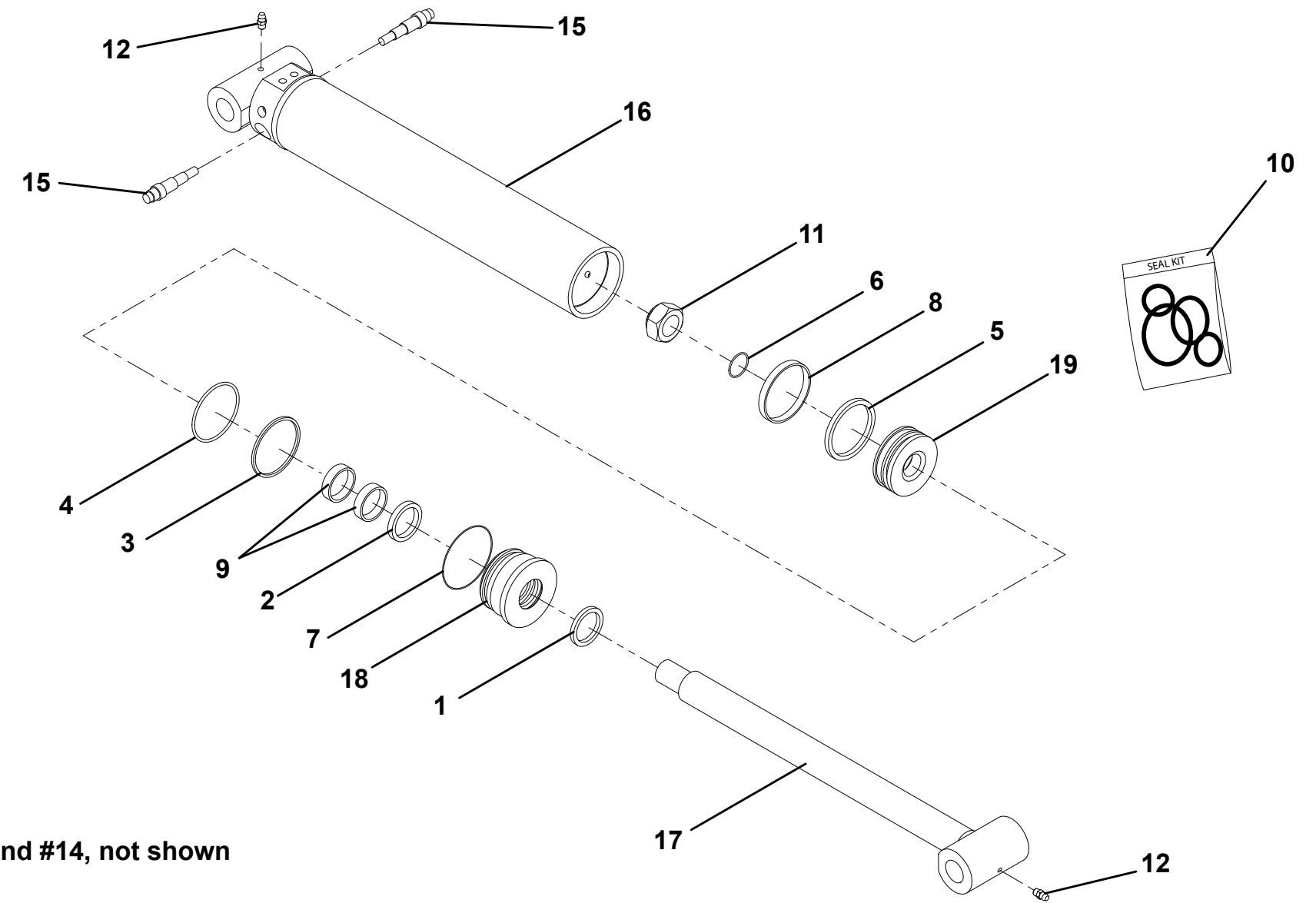
REAR SPADE INSTALLATION



SPADE CYLINDER ASSEMBLY - 732000006

ITEM	PART NO.	DESCRIPTION	QTY
1	9796250080	Seal, Wiper	1
2	7019828	Seal	1
3	9754250009	Ring, Back-up	1
4	9796250057	Seal, "O" Ring	1
5	9796250073	Seal	1
6	9796250061	Seal, "O" Ring	1
7	9796250066	Seal, "O" Ring	1
8	9724250014	Ring, Wear	1
9	9754250015	Ring, Wear	2
10	7577000167	Kit, Seal	1
11	7003212	Locknut	1
12	7005322	Grease Fitting	2
13	7005365	Plug, Port	2
14	70021648	Plug, Port	2
15	70050215	Valve, Counterbalance	2
16	9912250004	Assembly, Tube	1
17	9763250009	Assembly, Rod	1
18	9553250009	Head	1
19	70050531	Piston	1

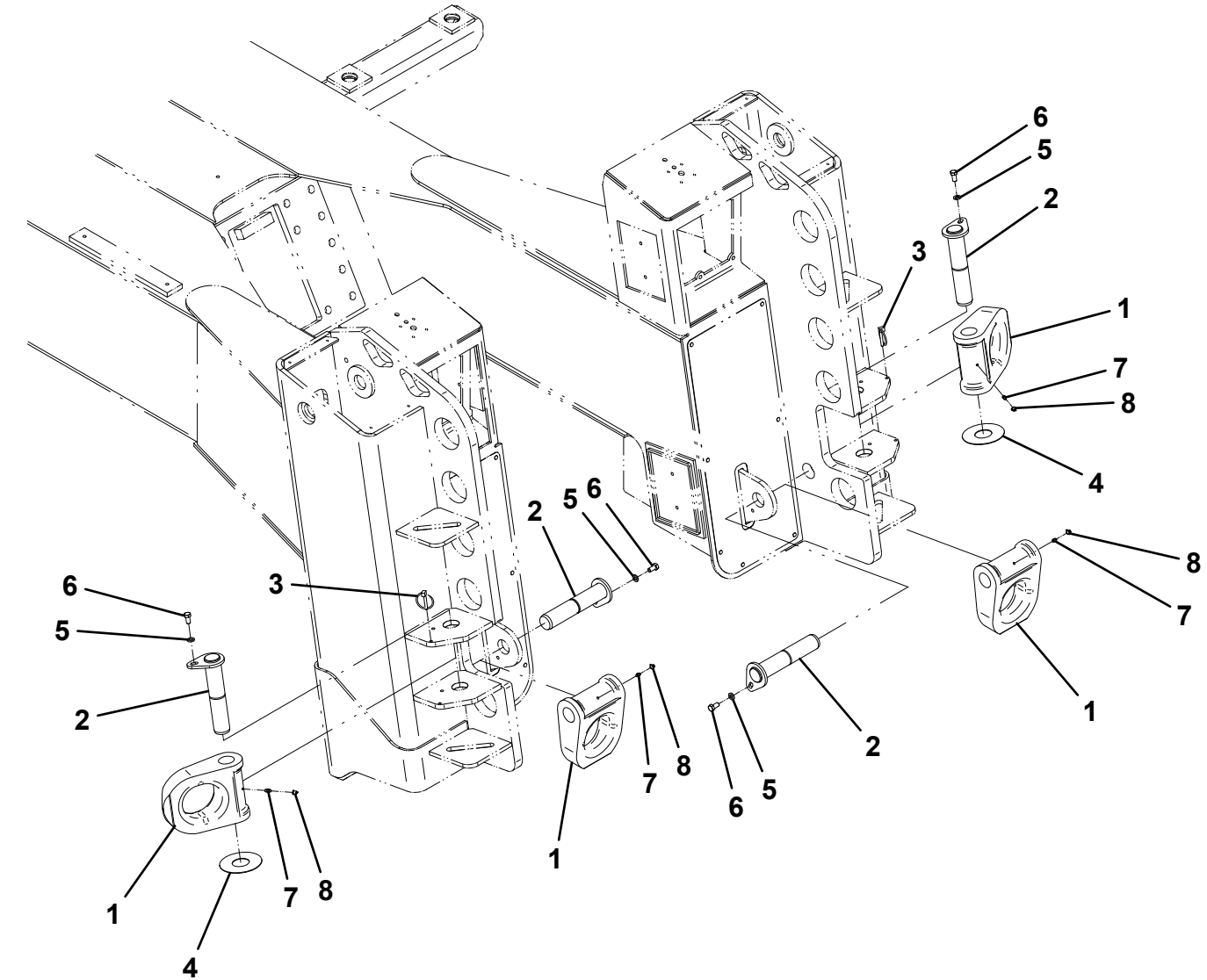
SPADE CYLINDER ASSEMBLY - 732000006



TAIL BOARD D-RING INSTALLATION

ITEM	PART NO.	DESCRIPTION	QTY
1	4754000004	D-Ring	4
2	3691000174	Pin	4
3	7691000047	Lynch Pin	2
4	4949000055	Washer, Nylatron	2
5	7115160650	Capscrew, 0.38"-16NC x 2.00"	4
6	7950160000	Lockwasher, 0.38" ID	4
7	7440030000	Grease Fitting	4
8	7253000002	Cap, Grease Fitting	4

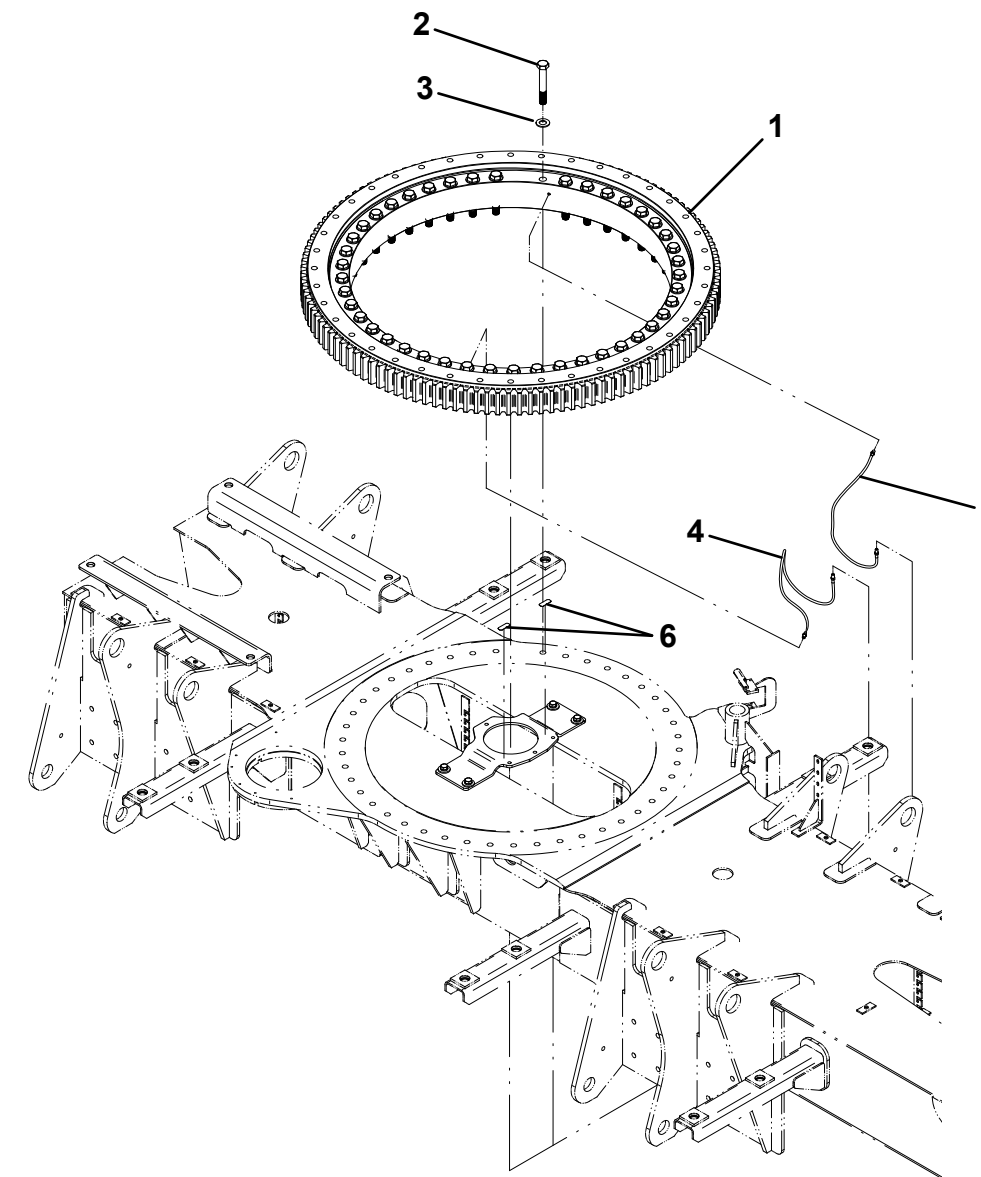
TAIL BOARD D-RING INSTALLATION



SLEW BEARING INSTALLATION

ITEM	PART NO.	DESCRIPTION	QTY
1	1001127316	Bearing	1
2	0682652	Capscrew, 1.00"-8NC x 6.50"	44
3	10701259	Flatwasher, 1.00" ID	44
4	1001136692	Hose, Grease	1
5	1001118961	Hose, Grease	1
6	1001131060	Decal, Bearing Grease	2

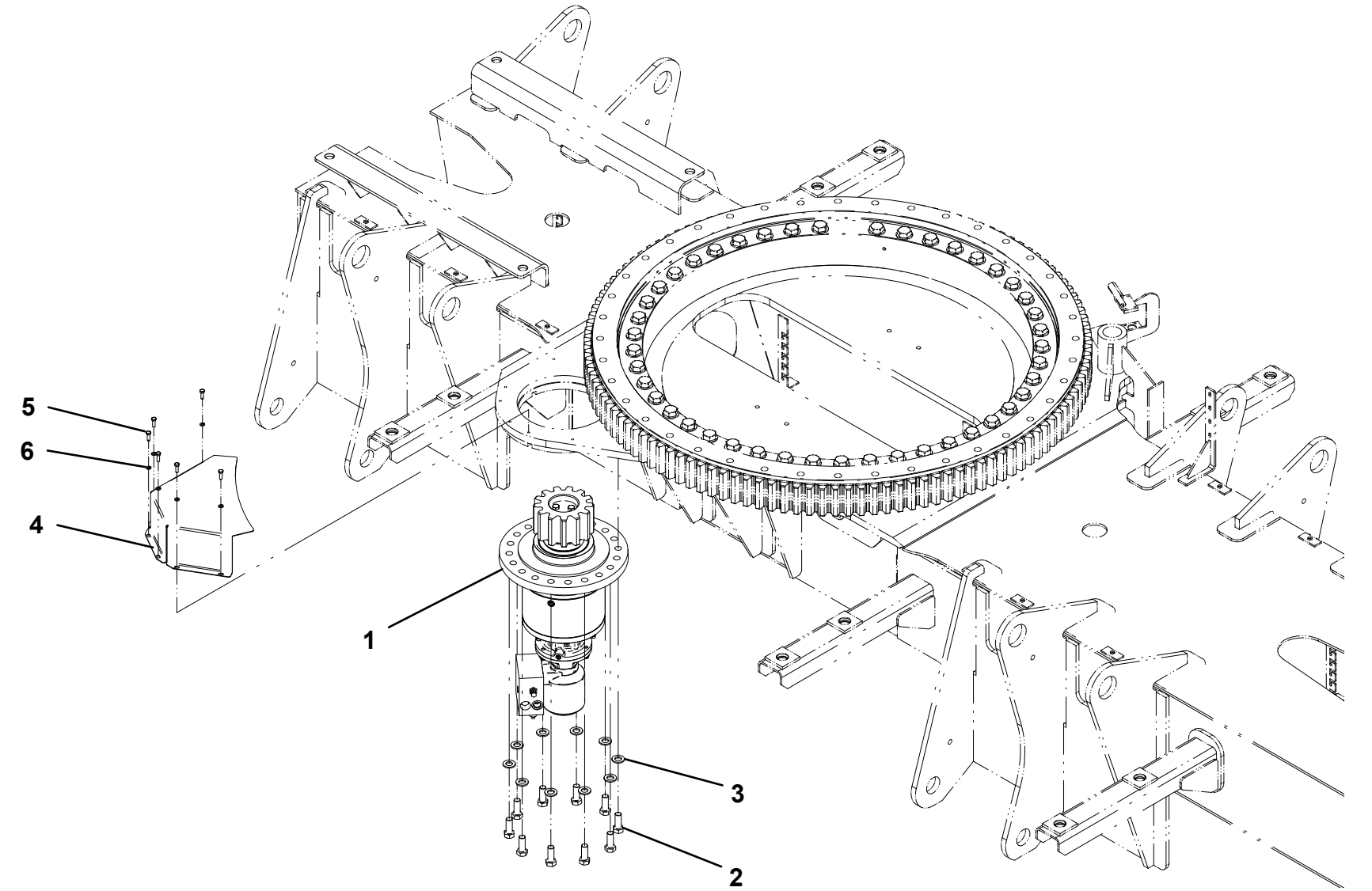
SLEW BEARING INSTALLATION



SLEW DRIVE INSTALLATION

ITEM	PART NO.	DESCRIPTION	QTY
1	1001127324	Motor, Planetary Gear Assembly	1
2	7118221650	Capscrew, 0.75"-10NC x 2.00"	10
3	7950220142	Flatwasher, 0.75" ID	10
4	1001130840	Cover	1
5	7115150850	Capscrew, 0.31"-18NC x 1.00"	6
6	7950150000	Lockwasher, 0.31" ID	6

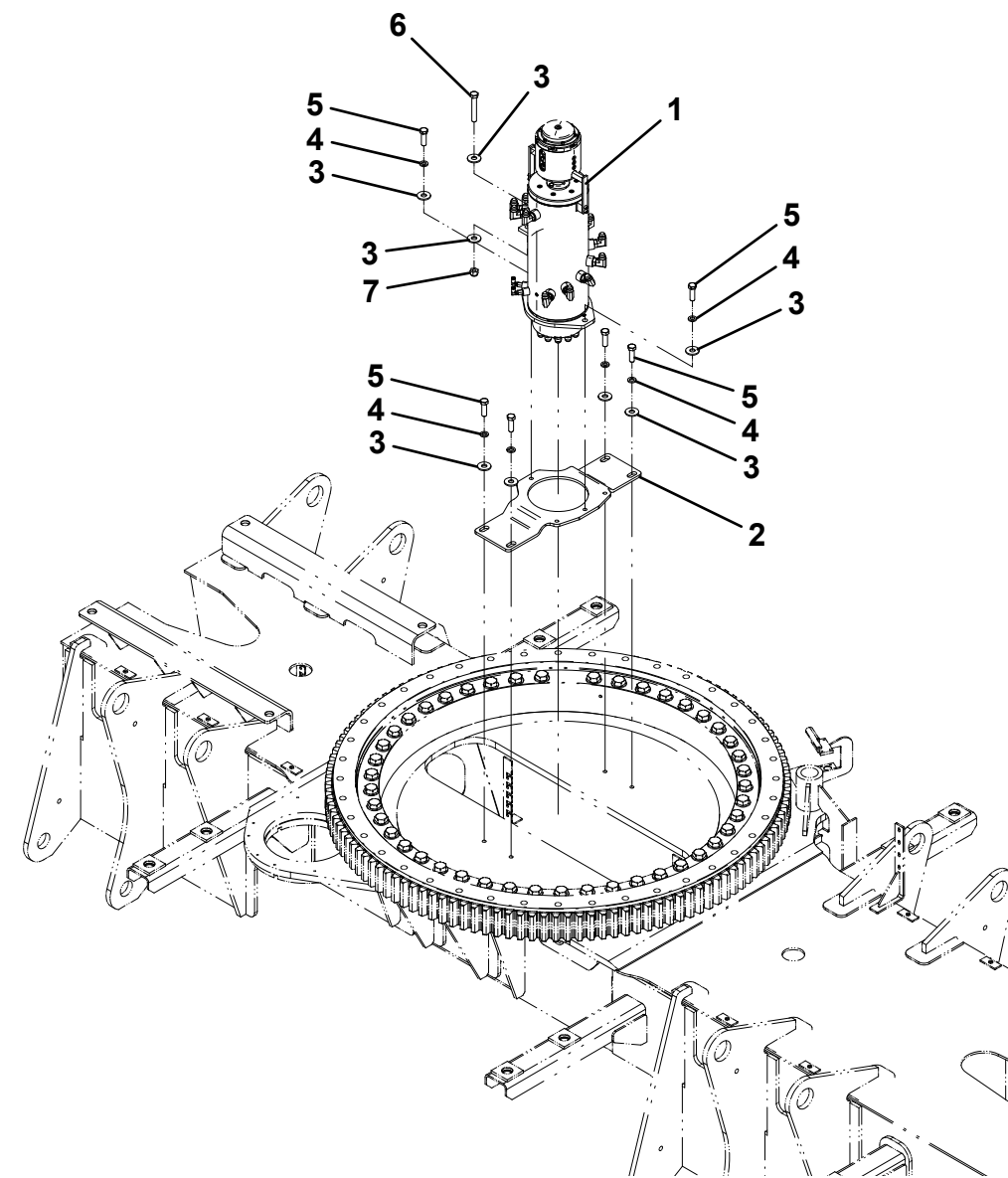
SLEW DRIVE INSTALLATION



SWIVEL INSTALLATION

ITEM	PART NO.	DESCRIPTION	QTY
1	1001129628	Swivel Assembly, Hydraulic/Electric	1
2	1001129987	Bracket	1
3	7950200161	Flatwasher, 0.63" ID	8
4	7950200000	Lockwasher, 0.63" ID	6
5	7115201650	Capscrew, 0.63"-11NC x 2.00"	6
6	7115203250	Capscrew, 0.63"-11NC x 4.00"	1
7	7660202601	Locknut, 0.63"-11NC	1

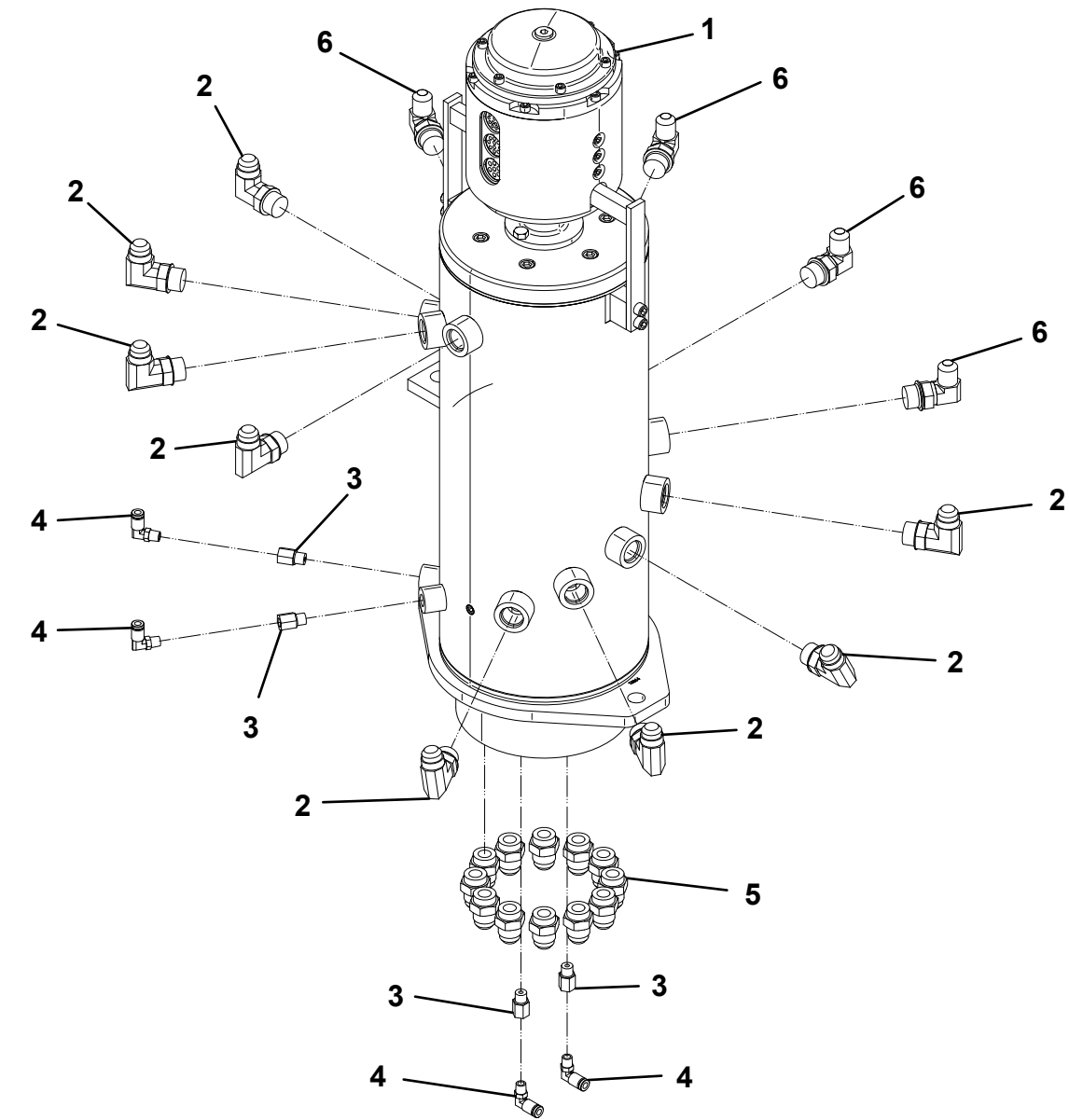
SWIVEL INSTALLATION



SWIVEL ASSEMBLY, HYDRAULIC/ELECTRIC - 1001129628

ITEM	PART NO.	DESCRIPTION	QTY
1	1001127656	Hydraulic/Electric Swivel	1
2	7445101045	Elbow	8
3	7443000414	Adapter	4
4	7443000173	Elbow	4
5	7445101043	Adapter	12
6	7445081045	Elbow	4

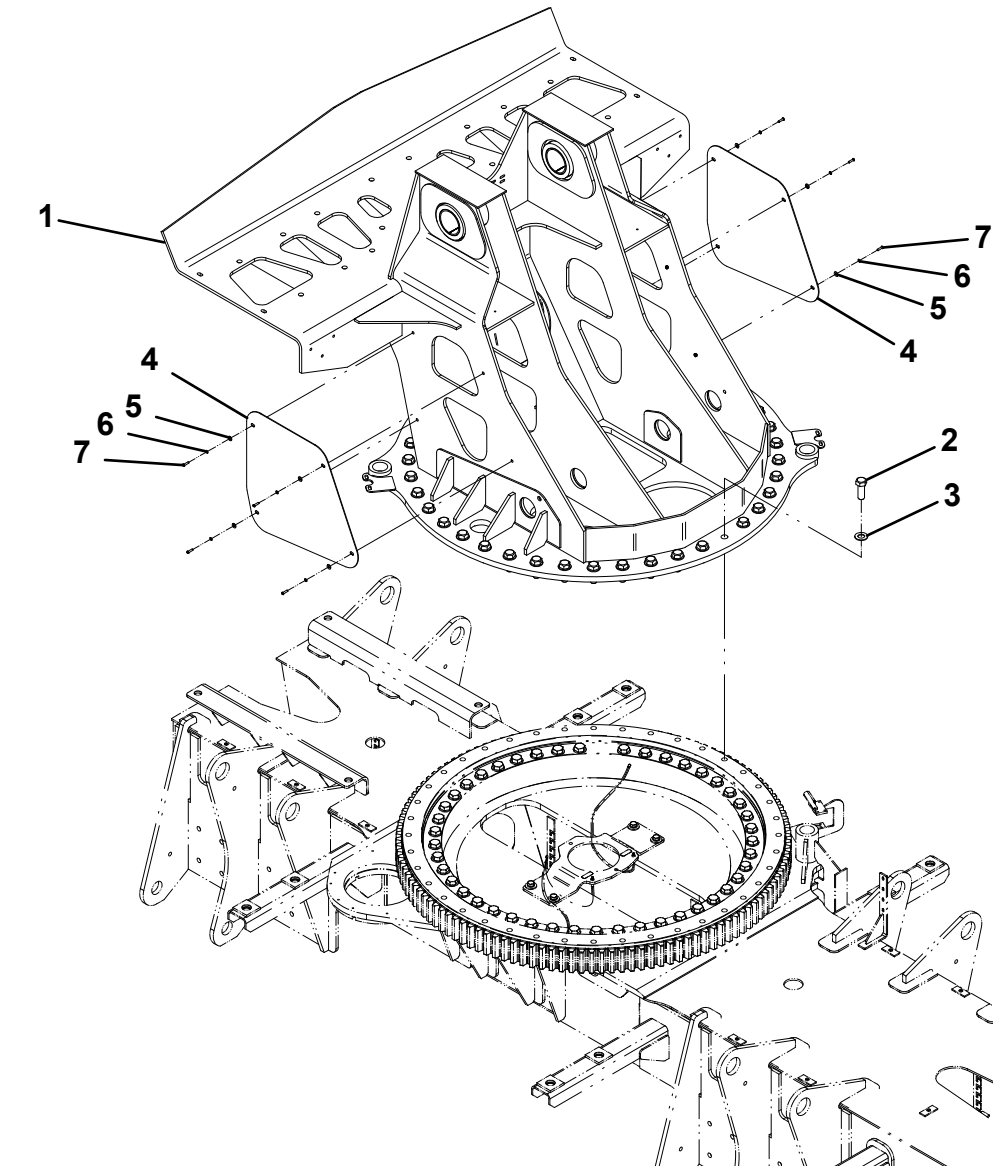
SWIVEL ASSEMBLY, HYDRAULIC/ELECTRIC - 1001129628



TURNTABLE INSTALLATION

ITEM	PART NO.	DESCRIPTION	QTY
1	1001128391	Turntable Weldment	1
2	0682622	Capscrew, 1.00"-8NC x 2.75"	40
3	10701259	Flatwasher, 1.00" ID	40
4	1001134239	Cover	2
5	7950140161	Flatwasher, 0.25" ID	8
6	7950140000	Lockwasher, 0.25" ID	8
7	7114140818	Capscrew, 0.25"-20NC x 1.00"	8

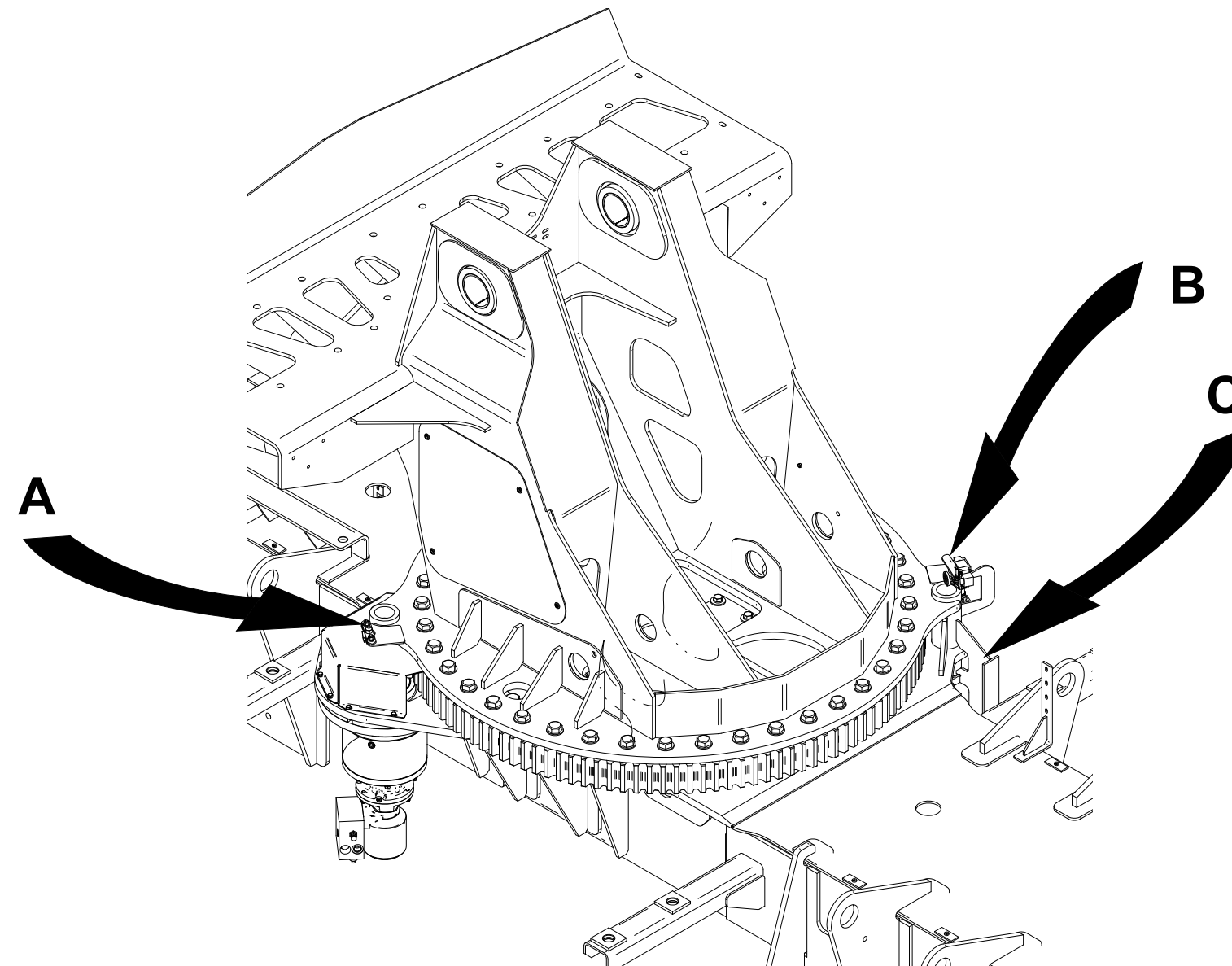
TURNTABLE INSTALLATION



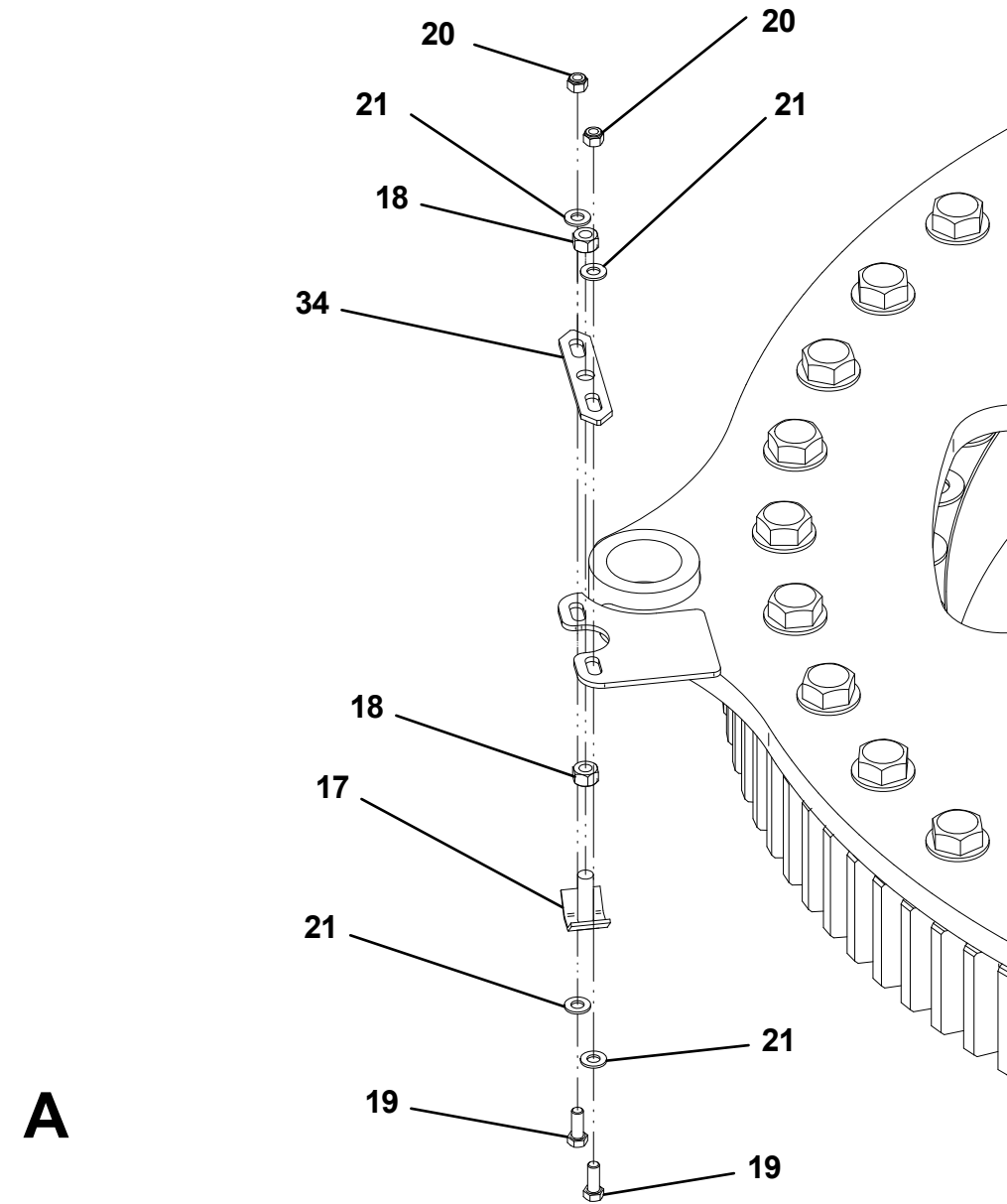
HOUSE LOCK INSTALLATION

ITEM	PART NO.	DESCRIPTION	QTY
1	7178000038	Bracket	1
2	7320000069	Cylinder	1
3	7277000012	Clevis, 0.44"-20NF	1
4	7660170230	Nut, 0.44"-20NF	1
5	7115140850	Bolt, 0.25"-20NC x 1.00"	4
6	7660142601	Locknut, 0.25"-20NC	4
7	7950140141	Flatwasher, 0.25" ID	8
8	4706004174	Plate	2
9	4706004173	Plate	1
10	7843000038	Spring	2
11	7990000027	Clevis, 0.50"-13NC x 2.25"	1
12	7660180200	Nut, 0.50"-13NC	1
13	4763000295	Threaded Rod, 0.50"-13NC	1
14	1001157970	Plate	1
15	7935000273	Air Valve	1
16	7114100518	Capscrew, #10-24NC x 1.00"	4
17	1001142626	Bracket	2
18	7660180001	Nut, 0.50"-13NC	4
19	7115160850	Bolt	8
20	7660162601	Locknut, 0.38"-16NC	4
21	7950160141	Flatwasher, 0.38" ID	18
22	1001156061	Switch Grid Lockout	1
23	7115141450	Bolt, 0.25"-20NC x 1.75"	1
24	7660140001	Nut, 0.25"-20NC	2
25	7114101618	Capscrew, #10-24NC x 2.00"	4
26	7950180141	Flatwasher, 0.50" ID	2
27	7691000050	Pin	1
28	4912000369	Tube, 0.75" OD x 0.48" ID x 0.75"	2
29	4691000450	Pin	1
30	1001129470	Pin	1
31	7950160000	Lockwasher, 0.38" ID	4
32	7660102601	Locknut, #10-24NC	8
33	7691000049	Pin	1
34	4811000942	Sheet	2
35	7690021210	Pin	2
36	7346000056	Fitting Liquid	1

HOUSE LOCK INSTALLATION

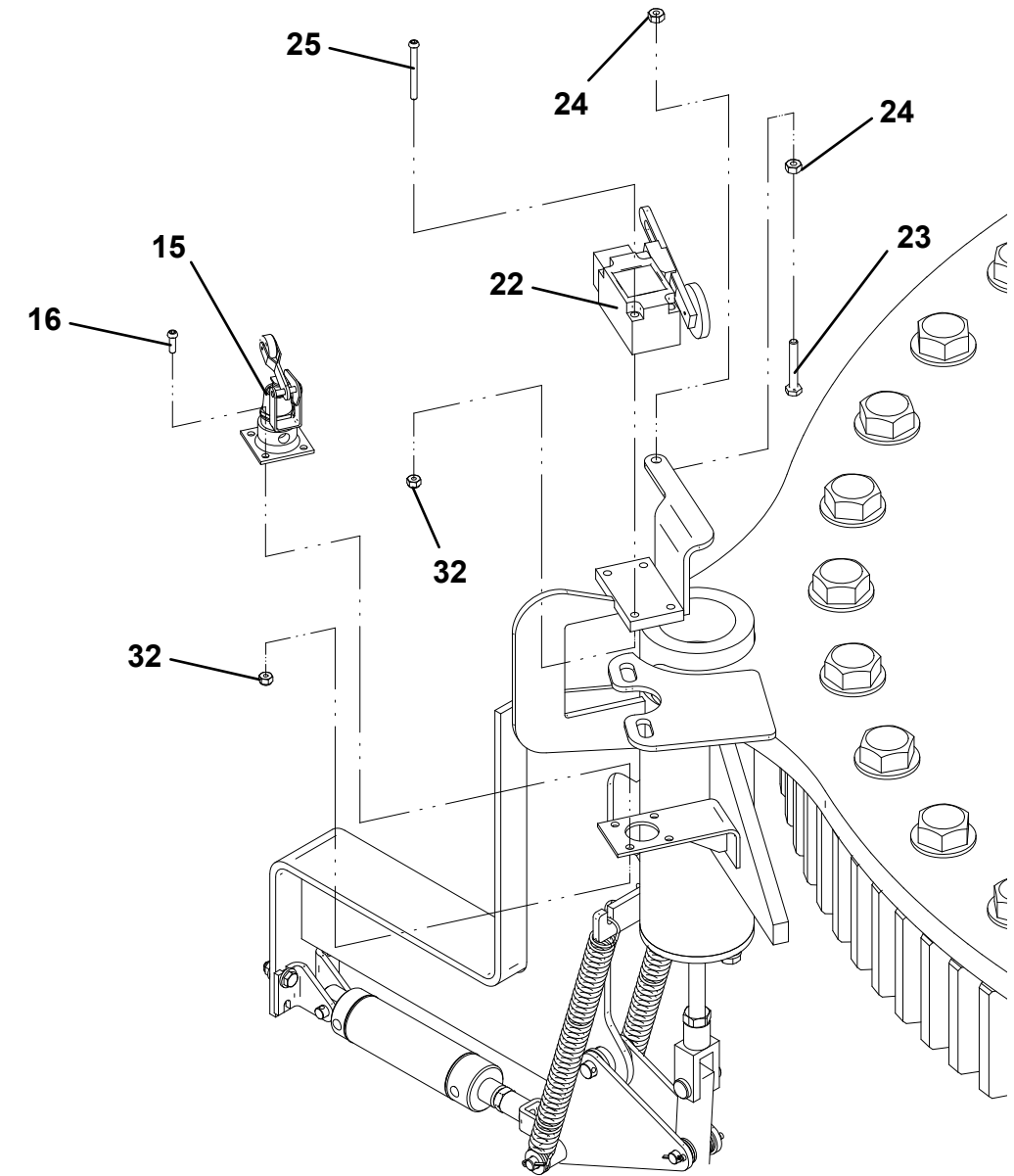


HOUSE LOCK INSTALLATION



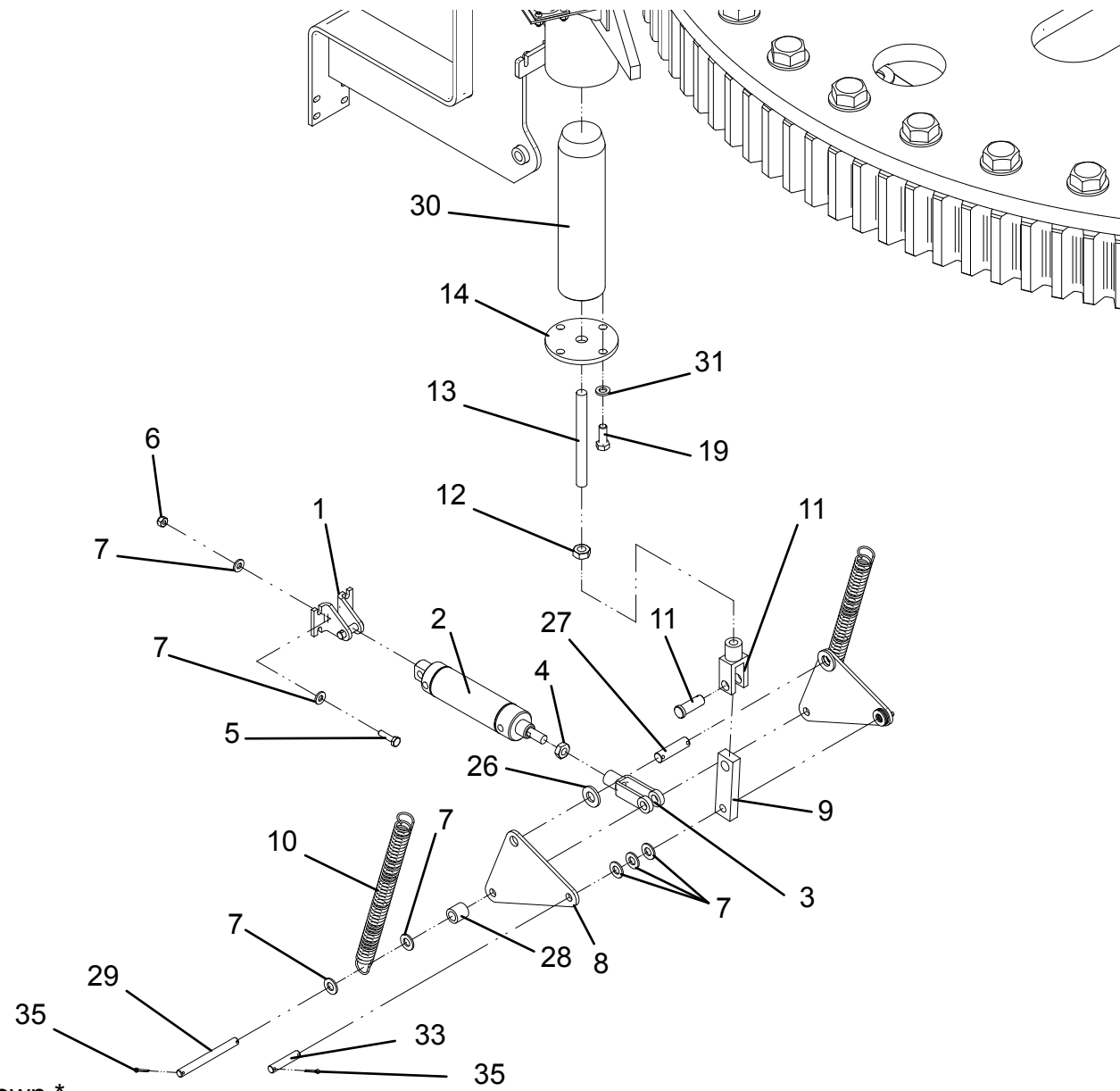
A

HOUSE LOCK INSTALLATION



B

HOUSE LOCK INSTALLATION



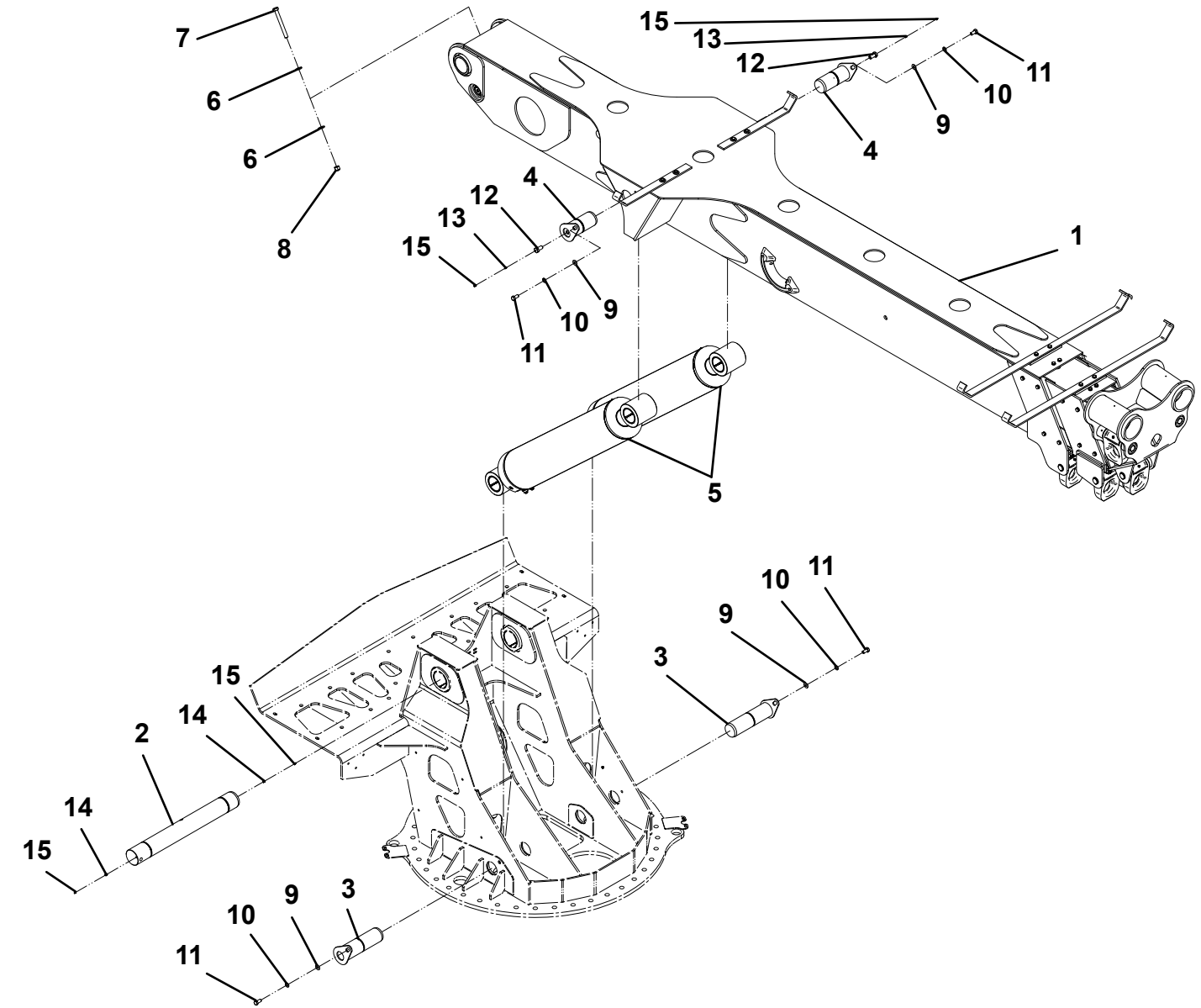
C
* Number 36 Not Shown *

THIS PAGE INTENTIONALLY LEFT BLANK

WRECKER BOOM INSTALLATION - 3 PIECE

ITEM	PART NO.	DESCRIPTION	QTY
1	1001128463	Boom Assembly, 3 Piece	1
2	4691000556	Pin	1
3	1001128283	Pin	2
4	3691000252	Pin	2
5	1001127313	Lift Cylinder Assembly	2
6	7950220141	Flatwasher, 0.75" ID	2
7	7118225650	Capscrew, 0.75"-10NC x 7.00"	1
8	7660222601	Locknut, 0.75"-10NC	1
9	7950200141	Flatwasher, 0.63"-11NC x 1.25"	4
10	7950200000	Lockwasher, 0.63" ID	4
11	7115201050	Capscrew, 0.63"-11NC x 1.25"	4
12	4120000021	Capscrew, 0.75"-10NC x 1.50"	2
13	7440030000	Grease Fitting	2
14	7440000000	Grease Fitting	2
15	7253000002	Cap, Grease Fitting	4

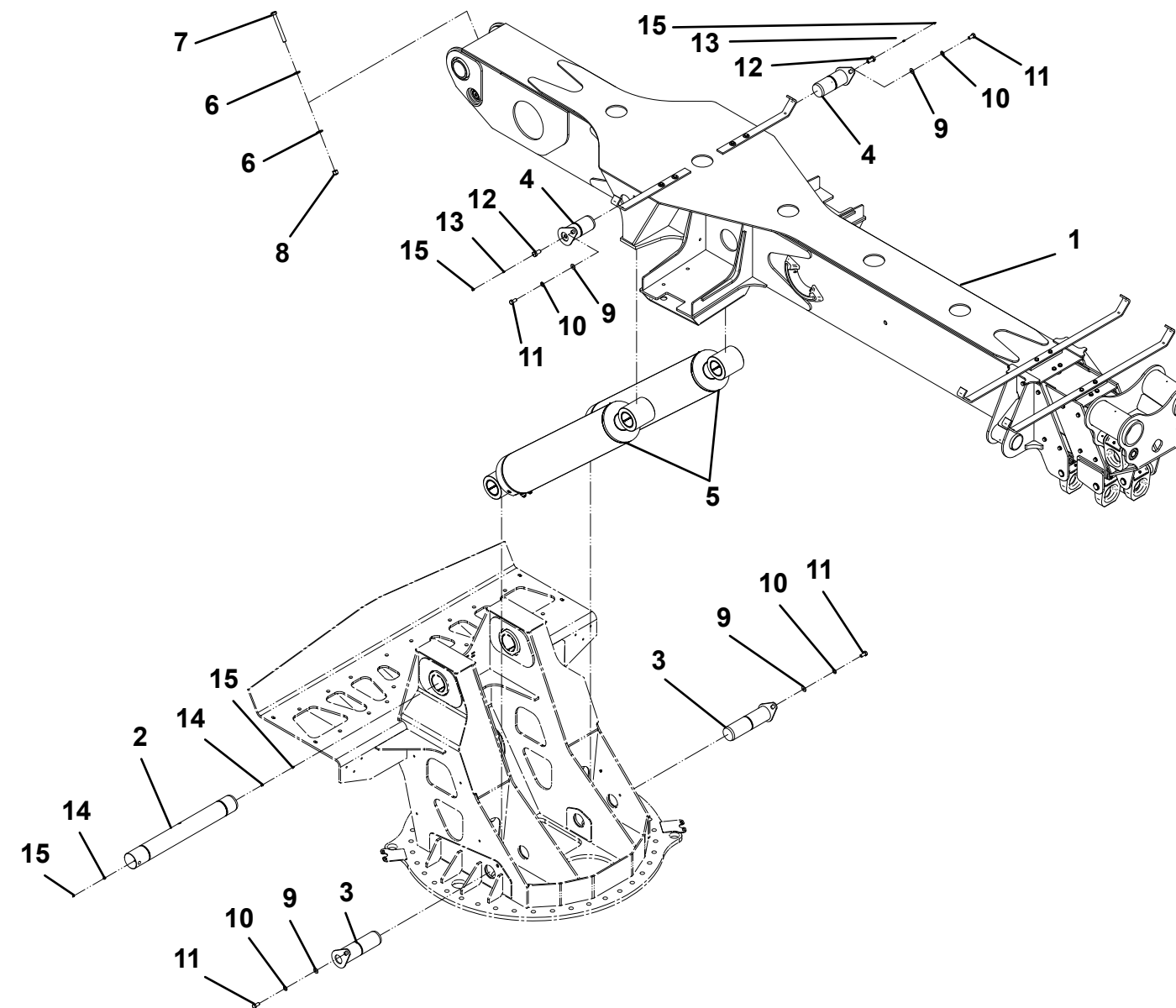
WRECKER BOOM INSTALLATION - 3 PIECE



WRECKER BOOM INSTALLATION - 3 PIECE W/ AUXILIARY WINCHES

ITEM	PART NO.	DESCRIPTION	QTY
1	1001158540	Boom Assembly, 3 Piece	1
2	4691000556	Pin	1
3	1001128283	Pin	2
4	3691000252	Pin	2
5	1001127313	Lift Cylinder Assembly	2
6	7950220141	Flatwasher, 0.75" ID	2
7	7118225650	Capscrew, 0.75"-10NC x 7.00"	1
8	7660222601	Locknut, 0.75"-10NC	1
9	7950200141	Flatwasher, 0.63"-11NC x 1.25"	4
10	7950200000	Lockwasher, 0.63" ID	4
11	7115201050	Capscrew, 0.63"-11NC x 1.25"	4
12	4120000021	Capscrew, 0.75"-10NC x 1.50"	2
13	7440030000	Grease Fitting	2
14	7440000000	Grease Fitting	2
15	7253000002	Cap, Grease Fitting	4

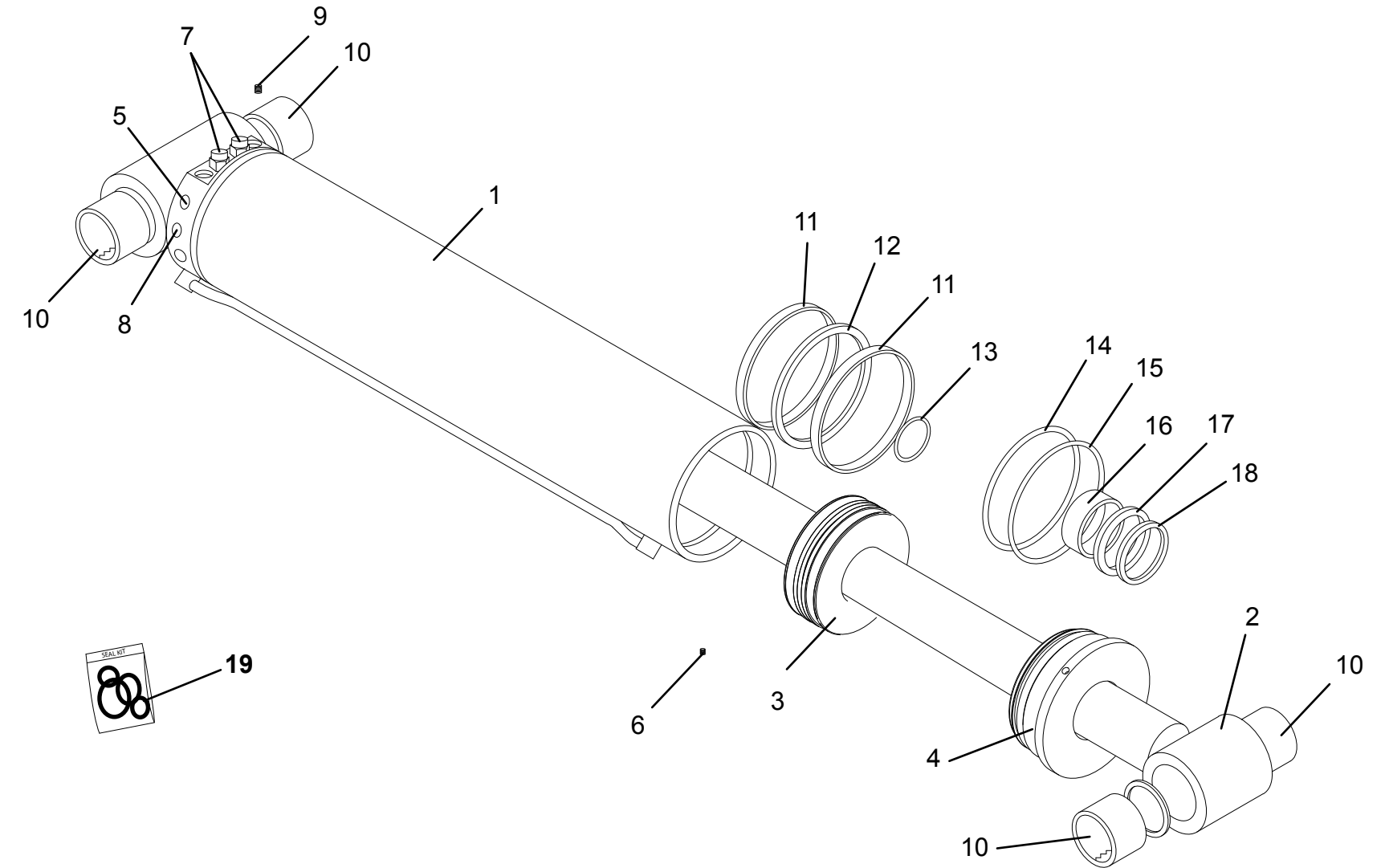
WRECKER BOOM INSTALLATION - 3 PIECE W/ AUXILIARY WINCHES



WRECKER BOOM LIFT CYLINDER - 1001127313

ITEM	PART NO.	DESCRIPTION	QTY
1	70050403	Barrel Assembly	1
2	70050404	Rod Assembly	1
3	70050411	Piston	1
4	70050416	Rod Bearing	1
5	70022067	Steel SAE O-Ring Plug #4	4
6	7029760	Locking Screw	1
7	70050407	Counterbalance Valve	2
8	70050408	Grease Fitting	1
9	70050409	Set Screw	1
10	70050410	Connex Bushing	4
11	70050415	Wear Ring, Piston	2
12	70050413	Rectangular Piston Seal	1
13	91034041	O-Ring	1
14	70050420	O-Ring	1
15	70050421	Backup Ring	1
16	70050423	Wear Ring Rod	1
17	70050422	Rod Seal	1
18	70050419	Seal Wiper	1
19	70050412	Seal Kit	1

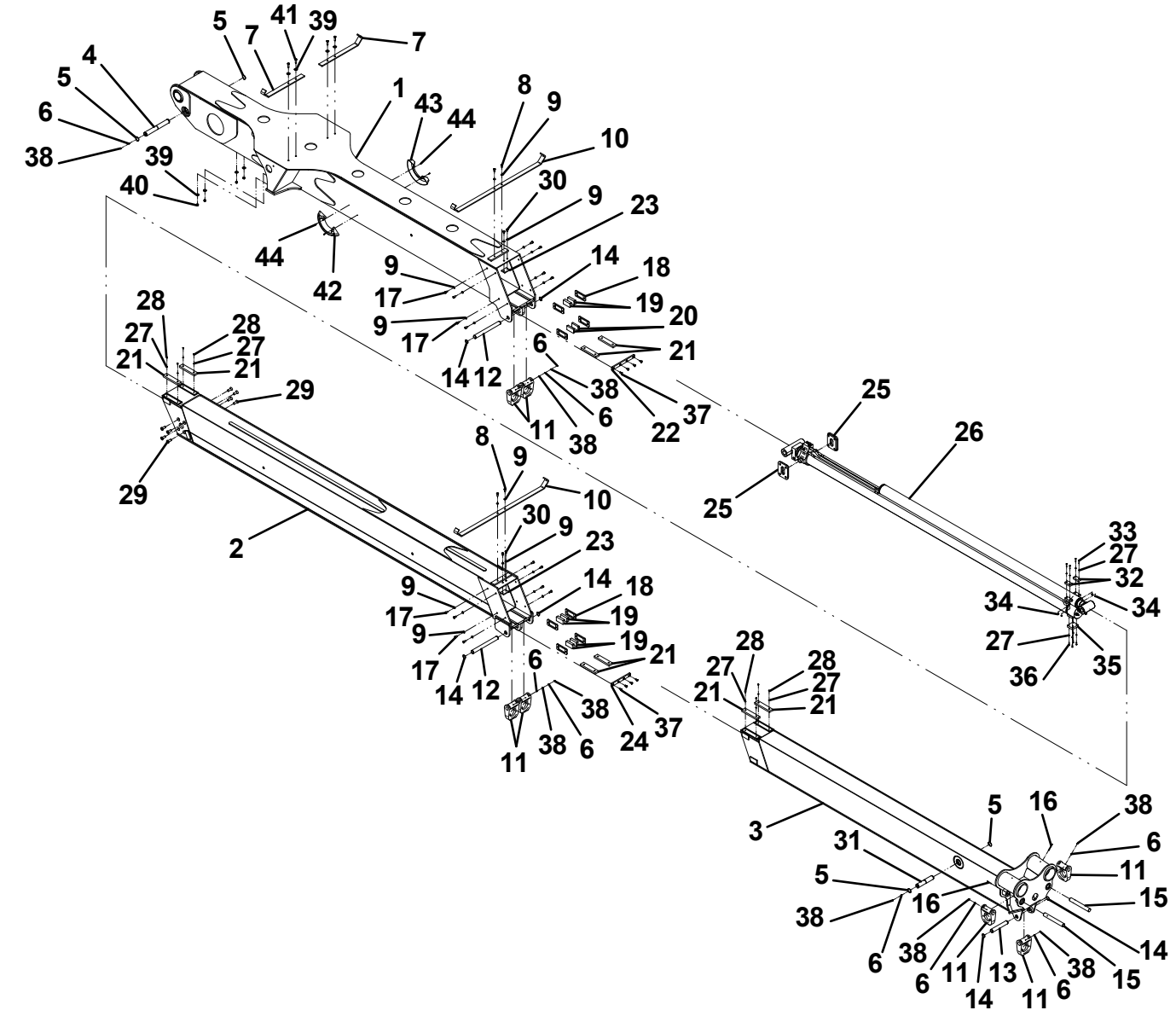
WRECKER BOOM LIFT CYLINDER - 1001127313



WRECKER BOOM ASSEMBLY - 1001128463

ITEM	PART NO.	DESCRIPTION	QTY	ITEM	PART NO.	DESCRIPTION	QTY
1	1001127853	Boom Weldment, Base Section	1	40	7660182601	Locknut, 0.50"-13NC	4
2	1001127841	Boom Weldment, Mid Section	1	41	7115181450	Capscrew, 0.50"-13NC x 1.75"	4
3	1001127836	Boom Weldment, Fly Section	1	42	7470000014	Gauge, Angle Indicator- LH	1
4	4691000417	Pin	1	43	7470000019	Gauge, Angle Indicator- RH	1
5	7754000055	Retaining Ring	4	44	7114100418	Capscrew, #10-24NC x 0.50"	4
6	7440030000	Grease Fitting	9				
7	4062000522	Bar	2				
8	7115180850	Capscrew, 0.50"-13NC x 1.00"	4				
9	7950180000	Lockwasher, 0.59" ID	24				
10	4062000589	Bar	2				
11	4754000004	D-Ring	7				
12	1001129006	Pin	2				
13	1001129393	Pin	1				
14	7754000014	Retaining Ring	6				
15	4691000285	Pin	2				
16	7690144840	Pin, Spring	2				
17	7108180850	Capscrew, 0.50"-20NF x 1.00"	16				
18	4178000811	Bracket	8				
19	4679000314	Pad	6				
20	4679000313	Pad	2				
21	4679000140	Pad	2				
22	1001129004	Plate	1				
23	4062000715	Bar	2				
24	1001129005	Plate	1				
25	3706000241	Plate Weldment	2				
26	7320000085	Extension Cylinder Assembly	2				
27	7950140000	Lockwasher, 0.25" ID	16				
28	7118140427	Capscrew, 0.25"-20NC x 0.50"	8				
29	7120000040	Capscrew, 0.75"-10NC x 2.00"	8				
30	7115180650	Capscrew, 0.50"-13NC x 0.75"	4				
31	4691000416	Pin	1				
32	4679000319	Pad	2				
33	7114141218	Capscrew, 0.25"-20NC x 1.50"	4				
34	7660142601	Locknut, 0.25"-20NC	4				
35	4679000326	Pad	1				
36	7114140818	Capscrew, 0.25"-20NC x 1.00"	4				
37	7118180820	Capscrew, 0.50"-13NC x 1.00"	8				
38	7253000002	Grease Fitting	9				
39	7950180161	Flatwasher, 0.50" ID	8				

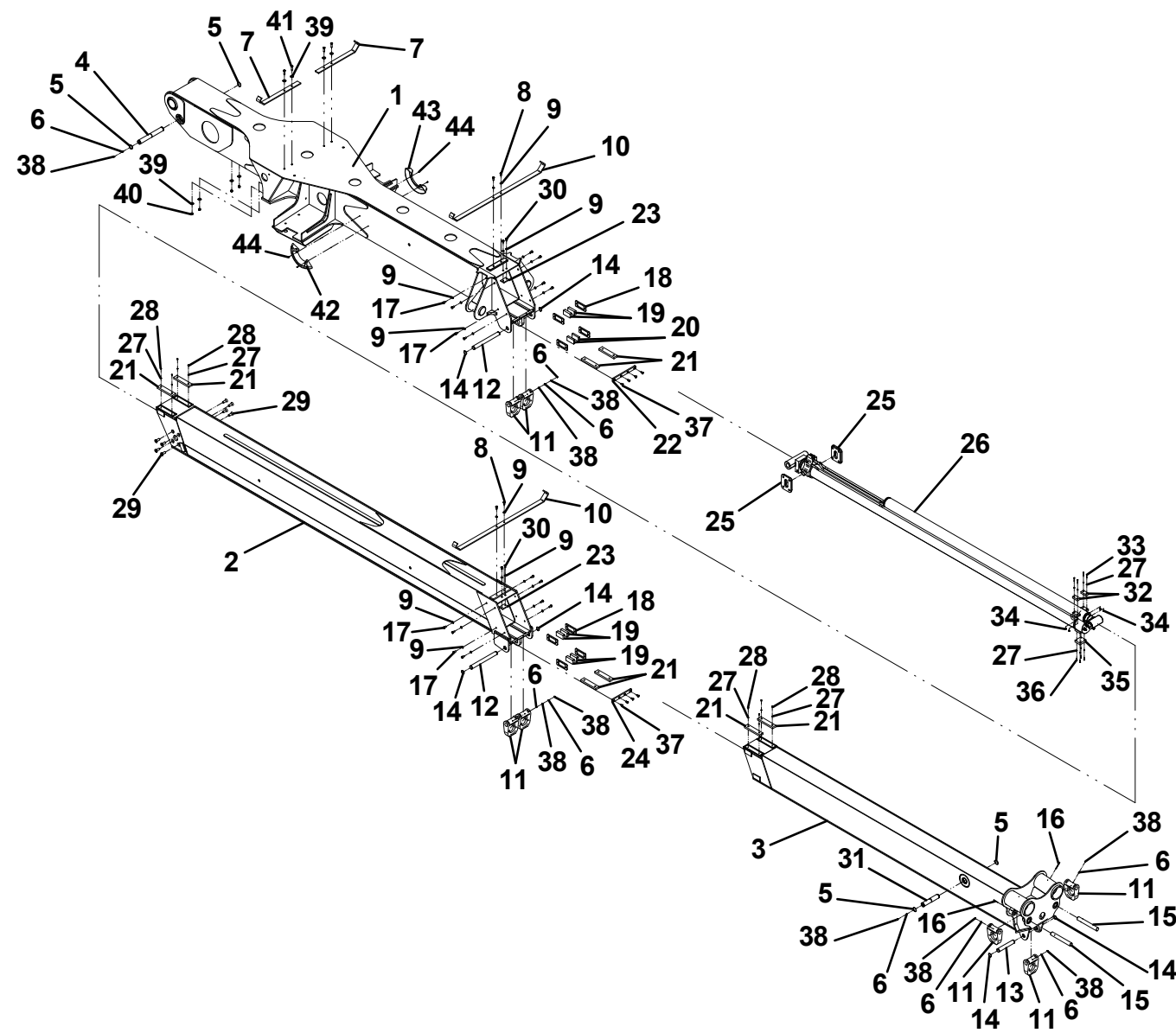
WRECKER BOOM ASSEMBLY - 1001128463



WRECKER BOOM ASSEMBLY - 1001158540 - W/AUXILIARY WINCH

ITEM	PART NO.	DESCRIPTION	QTY	ITEM	PART NO.	DESCRIPTION	QTY
1	1001158448	Boom Weldment, Base Section	1	40	7660182601	Locknut, 0.50"-13NC	4
2	1001127841	Boom Weldment, Mid Section	1	41	7115181450	Capscrew, 0.50"-13NC x 1.75"	4
3	1001127836	Boom Weldment, Fly Section	1	42	7470000014	Gauge, Angle Indicator- LH	1
4	4691000417	Pin	1	43	7470000019	Gauge, Angle Indicator- RH	1
5	7754000055	Retaining Ring	4	44	7114100418	Capscrew, #10-24NC x 0.50"	4
6	7440030000	Grease Fitting	9				
7	4062000522	Bar	2				
8	7115180850	Capscrew, 0.50"-13NC x 1.00"	4				
9	7950180000	Lockwasher, 0.59" ID	24				
10	4062000589	Bar	2				
11	4754000004	D-Ring	7				
12	1001129006	Pin	2				
13	1001129393	Pin	1				
14	7754000014	Retaining Ring	6				
15	4691000285	Pin	2				
16	7690144840	Pin, Spring	2				
17	7108180850	Capscrew, 0.50"-20NF x 1.00"	16				
18	4178000811	Bracket	8				
19	4679000314	Pad	6				
20	4679000313	Pad	2				
21	4679000140	Pad	2				
22	1001129004	Plate	1				
23	4062000715	Bar	2				
24	1001129005	Plate	1				
25	3706000241	Plate Weldment	2				
26	7320000085	Extension Cylinder Assembly	2				
27	7950140000	Lockwasher, 0.25" ID	16				
28	7118140427	Capscrew, 0.25"-20NC x 0.50"	8				
29	7120000040	Capscrew, 0.75"-10NC x 2.00"	8				
30	7115180650	Capscrew, 0.50"-13NC x 0.75"	4				
31	4691000416	Pin	1				
32	4679000319	Pad	2				
33	7114141218	Capscrew, 0.25"-20NC x 1.50"	4				
34	7660142601	Locknut, 0.25"-20NC	4				
35	4679000326	Pad	1				
36	7114140818	Capscrew, 0.25"-20NC x 1.00"	4				
37	7118180820	Capscrew, 0.50"-13NC x 1.00"	8				
38	7253000002	Grease Fitting	9				
39	7950180161	Flatwasher, 0.50" ID	8				

WRECKER BOOM ASSEMBLY - 1001158540 - W/AUXILIARY WINCH

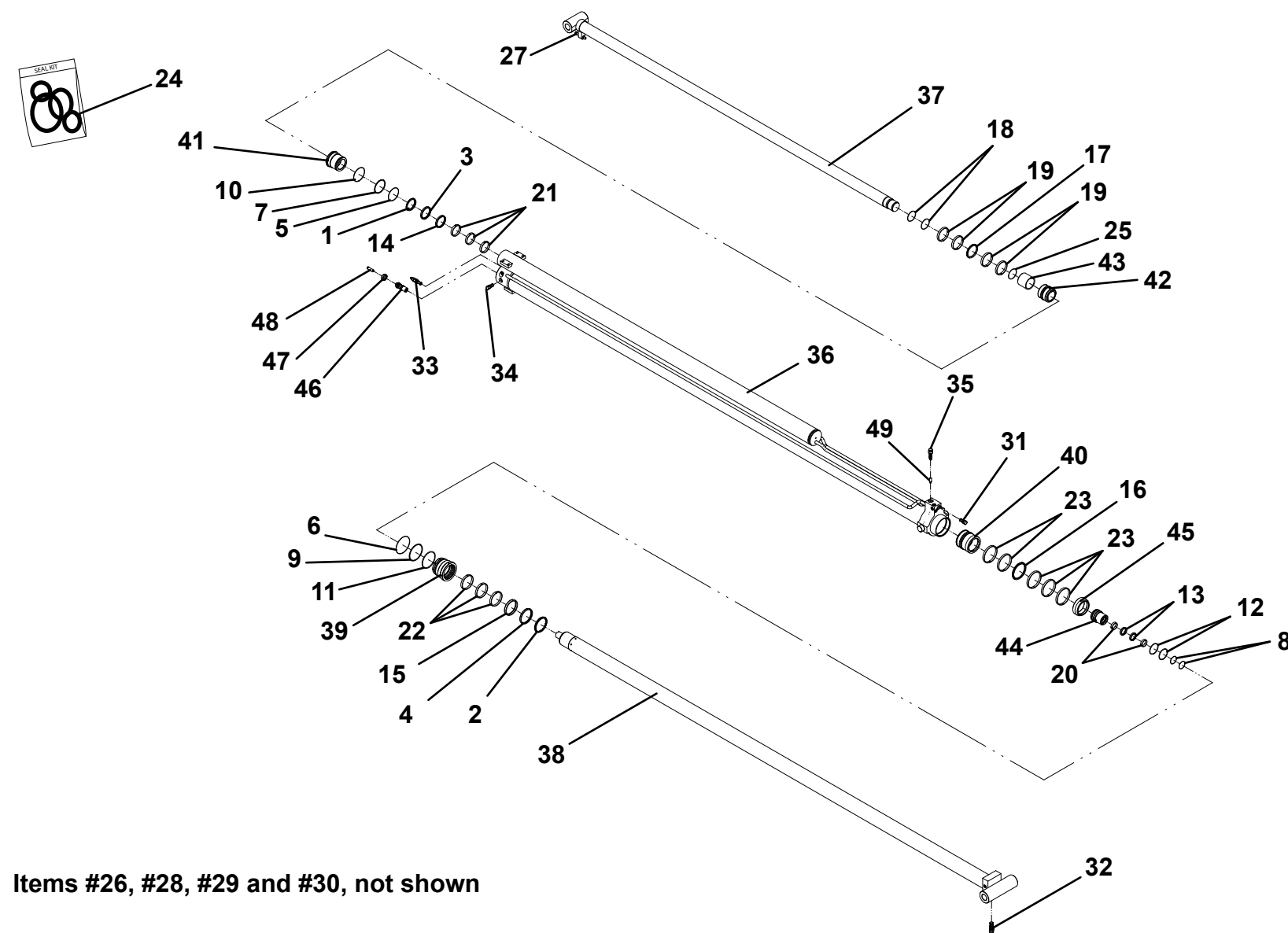


EXTENSION CYLINDER ASSEMBLY - 7320000085

ITEM	PART NO.	DESCRIPTION	QTY	ITEM	PART NO.	DESCRIPTION	QTY
1	83304143	Seal, Wiper	1	40	70050583	Piston	1
2	9796250084	Seal, Wiper	1	41	70050584	Head	1
3	9796250071	Seal	1	42	70050585	Piston	1
4	70050556	Seal	1	43	70050586	Spacer	1
5	70050557	Seal, "O"Ring	1	44	70050587	Adapter, RT	1
6	70050558	Seal, "O"Ring	1	45	70050588	Spacer	1
7	9754250009	Ring, Back-up	1	46	70050589	Assembly, Valve	1
8	70050559	Seal, "O"Ring	2	47	70050590	Valve Retainer	1
9	9754250054	Ring, Back-up	1	48	70050591	Assembly, Pad Plunger	1
10	9796250058	Seal, "O"Ring	1	49	70050592	Plunger	1
11	9796250149	Seal, "O"Ring	1				
12	70050560	Seal, "O"Ring	2				
13	70050561	Seal	2				
14	70050562	Seal	1				
15	70050563	Seal	1				
16	70050564	Seal	1				
17	70050565	Seal	1				
18	70050566	Seal, "O"Ring	2				
19	9754250014	Ring, Wear	4				
20	83304181	Ring, Wear	2				
21	83304140	Ring, Wear	3				
22	70050568	Ring, Wear	3				
23	9754250055	Ring, Wear	5				
24	70050569	Kit, Seal	1				
25	70050570*	Seal, "O"Ring	1				
26	70021774	Setscrew	4				
27	70050572	Locknut	2				
28	7005365	Plug, Port	2				
29	70021648	Plug, Port	4				
30	7023593	Plug, Port	5				
31	70050574	Valve, Check	1				
32	70050575	Valve, Counterbalance	1				
33	70050576	Valve, Relief	1				
34	70050577	Valve, Check	1				
35	70050578	Valve, Directional	1				
36	70050579	Assembly, Tube	1				
37	70050580	Assembly, Rod-Tube	1				
38	70050581	Assembly, Rod-Tube	1				
39	70050582	Head	1				

* Not Part of Seal Kit

EXTENSION CYLINDER ASSEMBLY - 7320000085

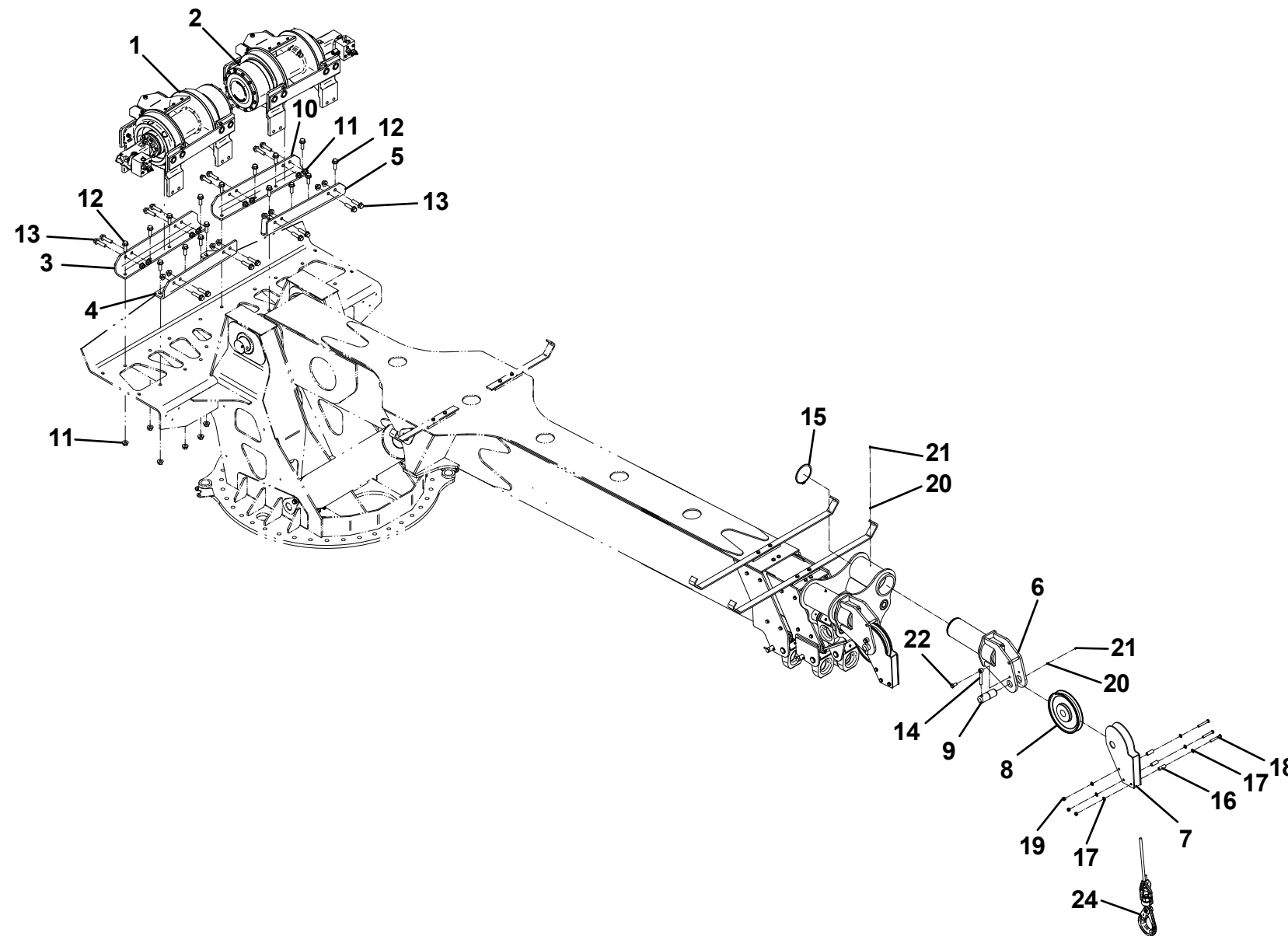


Items #26, #28, #29 and #30, not shown

WINCH INSTALLATION - 2 SPEED 50K RAMSEY

ITEM	PART NO.	DESCRIPTION	QTY
1	1001128323	Winch, Ramsey 50K - LH	1
2	1001129495	Winch, Ramsey 50K - RH	1
3	1001129540	Angle, Winch Front - LH	1
4	1001129541	Angle, Winch Rear - LH	1
5	1001129543	Angle, Winch Rear - RH	1
6	1001169618	Sheave Support Weldment	2
7	3249000037	Cable Guide Weldment	2
8	7809000018	Sheave, 12" Dia.	2
9	1001170037	Pin	2
10	1001129542	Angle, Winch Front - RH	1
11	7660222308	Locknut, 0.75"-10NC	32
12	7118221816	Capscrew, 0.75"-10NC x 2.25"	16
13	7118222416	Capscrew, 0.75"-10NC x 3.00"	16
14	3841258	Rod	2
15	7754000083	Retaining Ring	2
16	4831000108	Spacer	6
17	7950180153	Flatwasher, 0.50" ID	12
18	7115182850	Capscrew, 0.50"-13NC x 3.50"	6
19	7660182601	Locknut, 0.50"-13NC	6
20	7440030000	Grease Fitting	4
21	7253000002	Cap, Grease Fitting	4
22	7115201050	Bolt, 0.63"-11NC x 1.25"	2
23	0100011	Thread Locker	A/R
24	7248000149	Cable, 0.75" x 250'	2
	1001135127	Cable, 0.75" x 250' w/ Swivel Hook	2

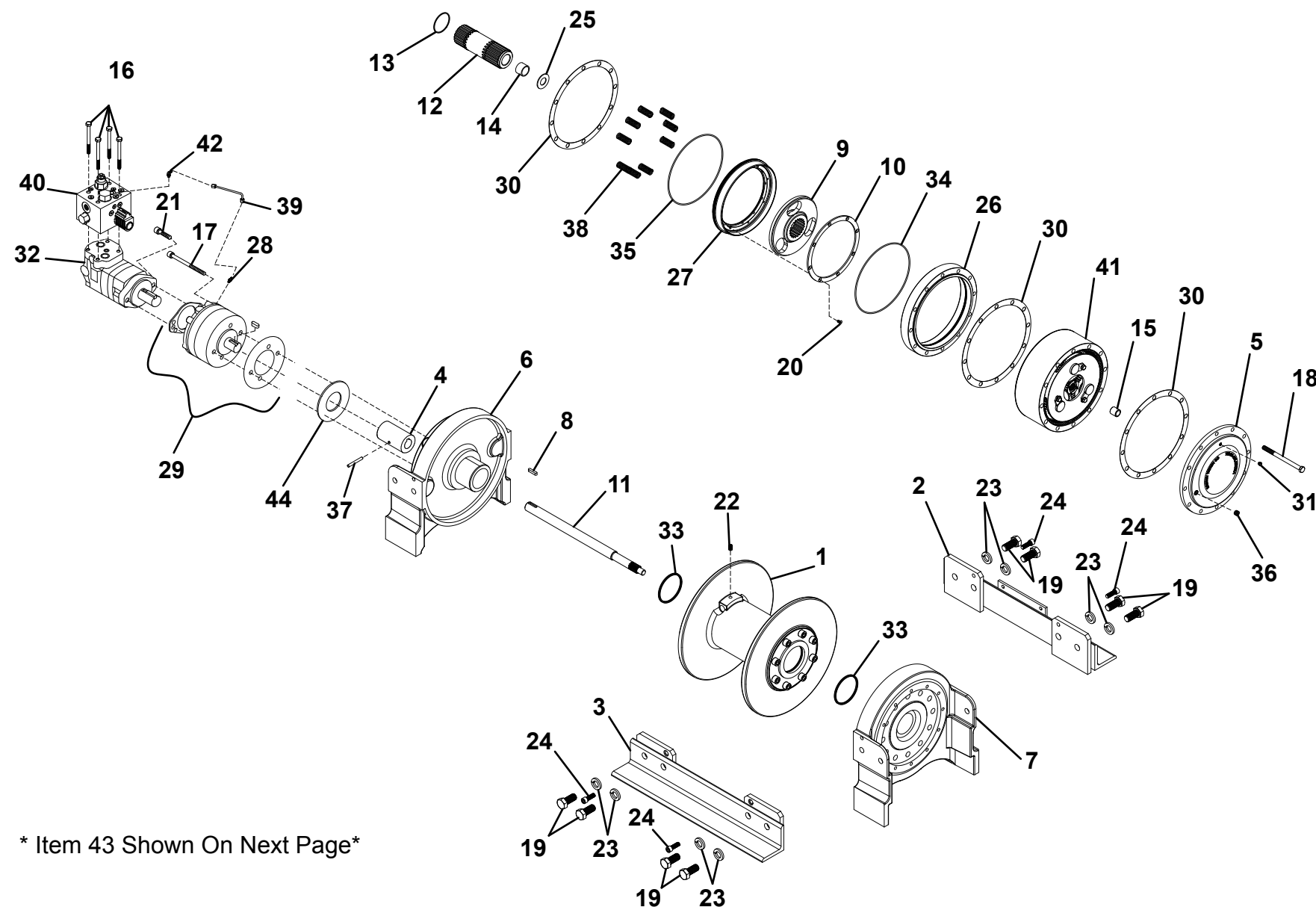
WINCH INSTALLATION - 2 SPEED 50K RAMSEY



RAMSEY 50K WINCH - 1001128323 & 1001129495

ITEM	PART NO.	DESCRIPTION	QTY	ITEM	PART NO.	DESCRIPTION	QTY
1	9970960027	Drum Assembly	1	40	9935960067	Valve Control (B - Rotation)	1
2	70050332	Angle	1	41	70050359	Gearbox	1
3	70050333	Angle	1	42	9443960010	Fitting	1
4	70050334	Coupling	1	43	70050360	Tensioner Assembly	1
5	70050335	Gear Housing Cover	1	44	70050396	Plate Retainer	1
6	70050336	Bearing	1				
7	70050337	Bearing	1				
8	70050338	Key	1				
9	70050339	Clutch	1				
10	70050340	Clutch Retaining Key	1				
11	70050341	Input Shaft	1				
12	70050342	Output Coupling	1				
13	70050343	Spacer	1				
14	70050344	Bushing	1				
15	70050345	Bushing	1				
16	7105163650	Capscrew, 0.38"-24NF x 4.00"	4				
17	70050346	Capscrew, 0.50"-13NC x 3.50"	2				
18	7115185650	Capscrew, 0.50"-13NC x 7.00"	12				
19	7115241650	Capscrew, 0.88"-9NC x 2.00"	8				
20	70050347	Capscrew, 0.25"-20NC x 0.50"	8				
21	9120960024	Capscrew, 0.50"-13NC x 1.25"	2				
22	7785181200	Setscrew, 0.50"-13NC x 0.75"	1				
23	9949960044	Lockwasher, 0.88" ID	8				
24	9120960054	Bolt, 0.50" x 0.75"	4				
25	70050348	Thrust Washer	1				
26	70050349	Cylinder	1				
27	70050350	Piston	1				
28	9443960019	Fitting	1				
29	70050351	Brake Assembly	1				
30	9796960157	Gasket	3				
31	9970456008	Relief Fitting	1				
32	70050352	Motor	1				
33	9796960159	Quad Ring	2				
34	70050353	O-Ring	1				
35	70050354	O-Ring	1				
36	70050355	Pipe Plug	1				
37	70050356	Pin	1				
38	70050357	Spring	9				
39	70050358	Tube Assembly	1				

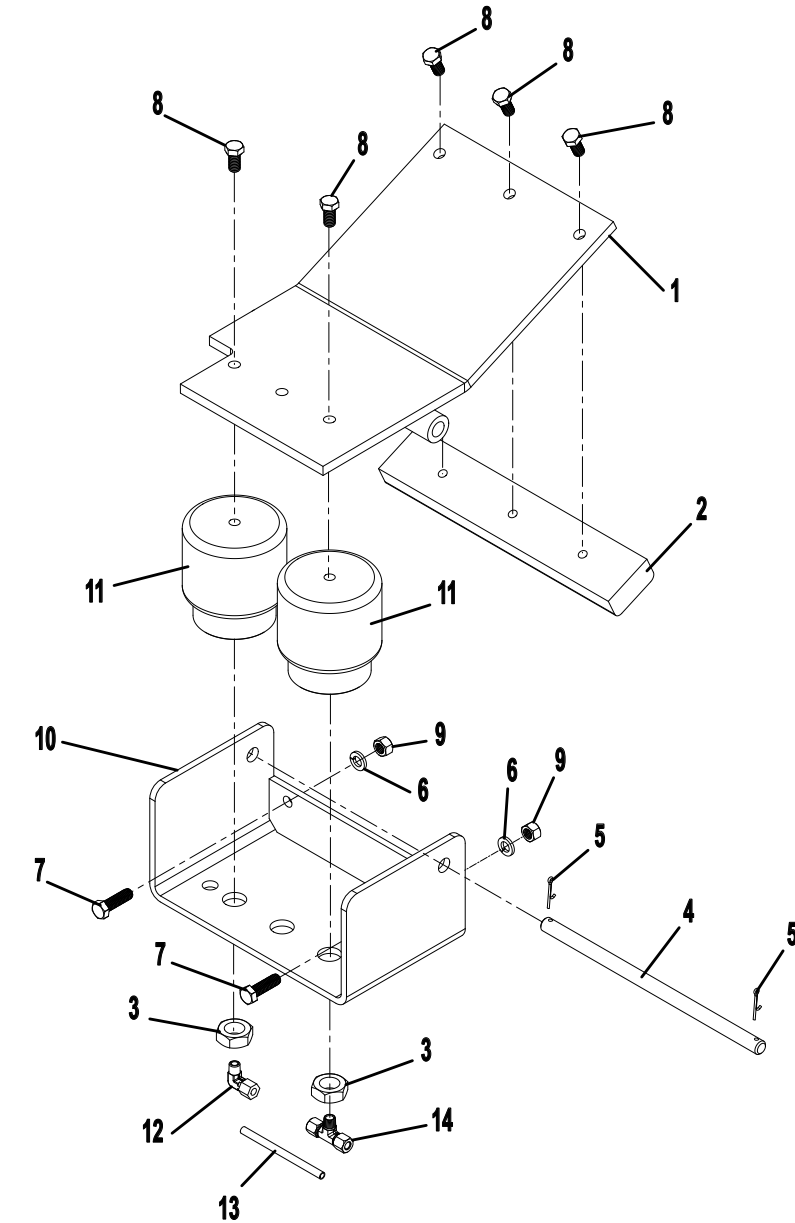
RAMSEY 50K WINCH - 1001128323 & 1001129495



RAMSEY WINCH CABLE TENSIONER ASSEMBLY - 70050360

ITEM	PART NO.	DESCRIPTION	QTY
1	70050366	Plate	1
2	9064960008	Rub Bar	1
3	70050364	Nut, 0.50"-16NF	2
4	9691960032	Pin	1
5	4691960030	Cotter Pin	2
6	9970418177	Lockwasher, 0.38" ID	2
7	70050364	Capscrew, 0.38" x 1.25"	2
8	9120960042	Capscrew, 0.38" x 0.75"	5
9	70050363	Nut, 0.38"	2
10	70050362	Bracket, Air Tensioner	1
11	70050361	Air Actuator	2
12	9443960021	Fitting	1
13	9570960005	Tube	1
14	9443960020	Tee	1

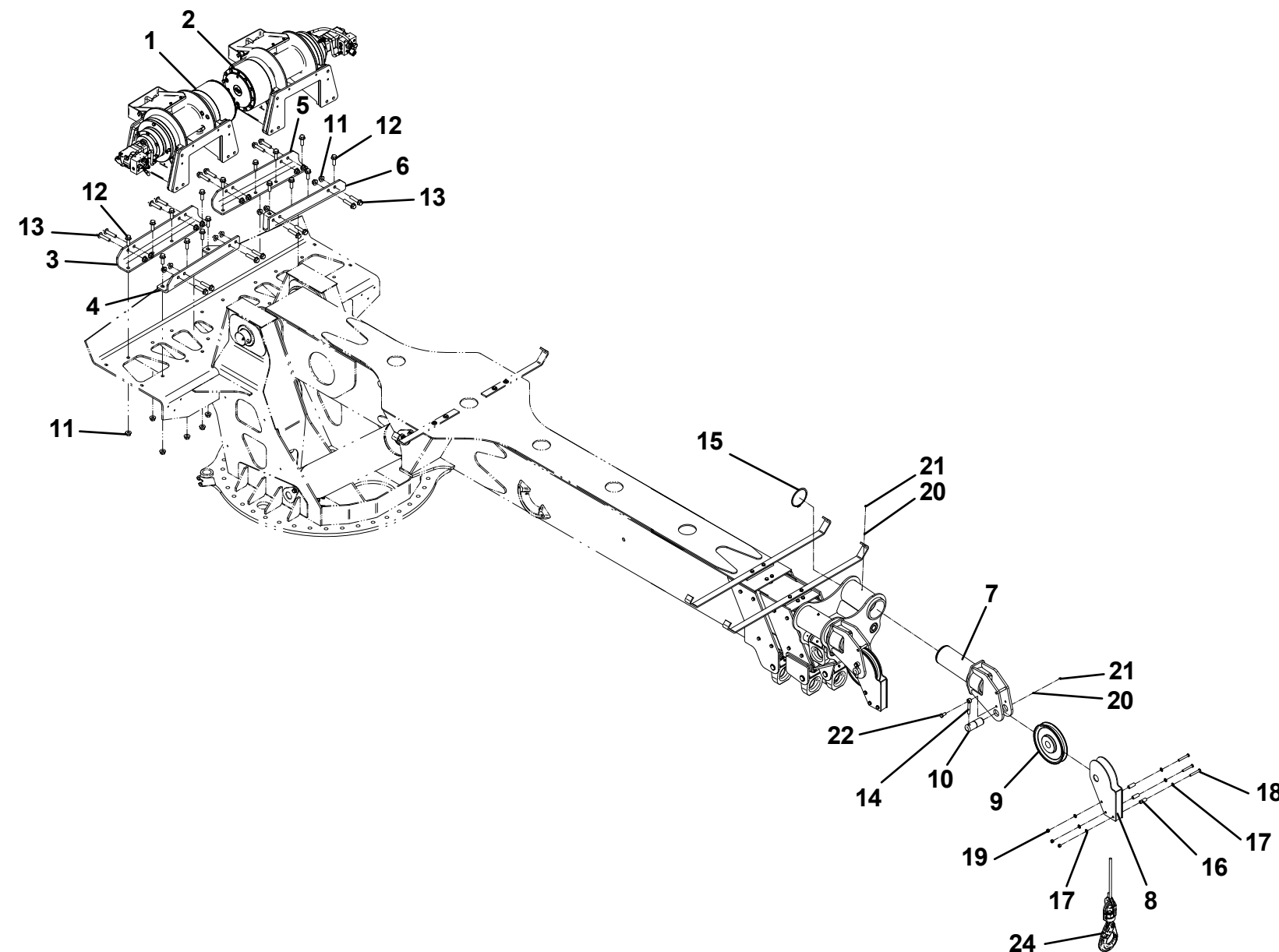
RAMSEY WINCH CABLE TENSIONER ASSEMBLY - 70050360



WINCH INSTALLATION - 2 SPEED 50K DP

ITEM	PART NO.	DESCRIPTION	QTY
1	1001145566	Winch, DP 50K - LH	1
2	7970000169	Winch, DP 50K - RH	1
3	1001145521	Angle, Winch Front - LH	1
4	1001145522	Angle, Winch Rear - LH	1
5	1001145523	Angle, Winch Front - LH	1
6	1001145524	Angle, Winch Front - RH	1
7	1001169618	Sheave Support Weldment	2
8	3249000037	Cable Guide Weldment	2
9	7809000018	Sheave, 12" Dia.	2
10	1001170037	Pin	2
11	7660222308	Locknut, 0.75"-10NC	32
12	7118221816	Capscrew, 0.75"-10NC x 2.25"	16
13	7118222816	Capscrew, 0.75"-10NC x 3.50"	16
14	3841258	Rod	2
15	7754000083	Retaining Ring	2
16	4831000108	Spacer	6
17	7950180153	Flatwasher, 0.50" ID	12
18	7115182850	Capscrew, 0.50"-13NC x 3.50"	6
19	7660182601	Locknut, 0.50"-13NC	6
20	7440030000	Grease Fitting	4
21	7253000002	Cap, Grease Fitting	4
22	7115201050	Bolt, 0.63"-11NC x 1.25"	2
23	0100011	Thread Locker	A/R
24	7248000149	Cable, 0.75" x 250'	2
	1001135127	Cable, 0.75" x 250' w/ Swivel Hook	

WINCH INSTALLATION - 2 SPEED 50K DP



DP WINCH 50K - MOTOR END INSTALLATION

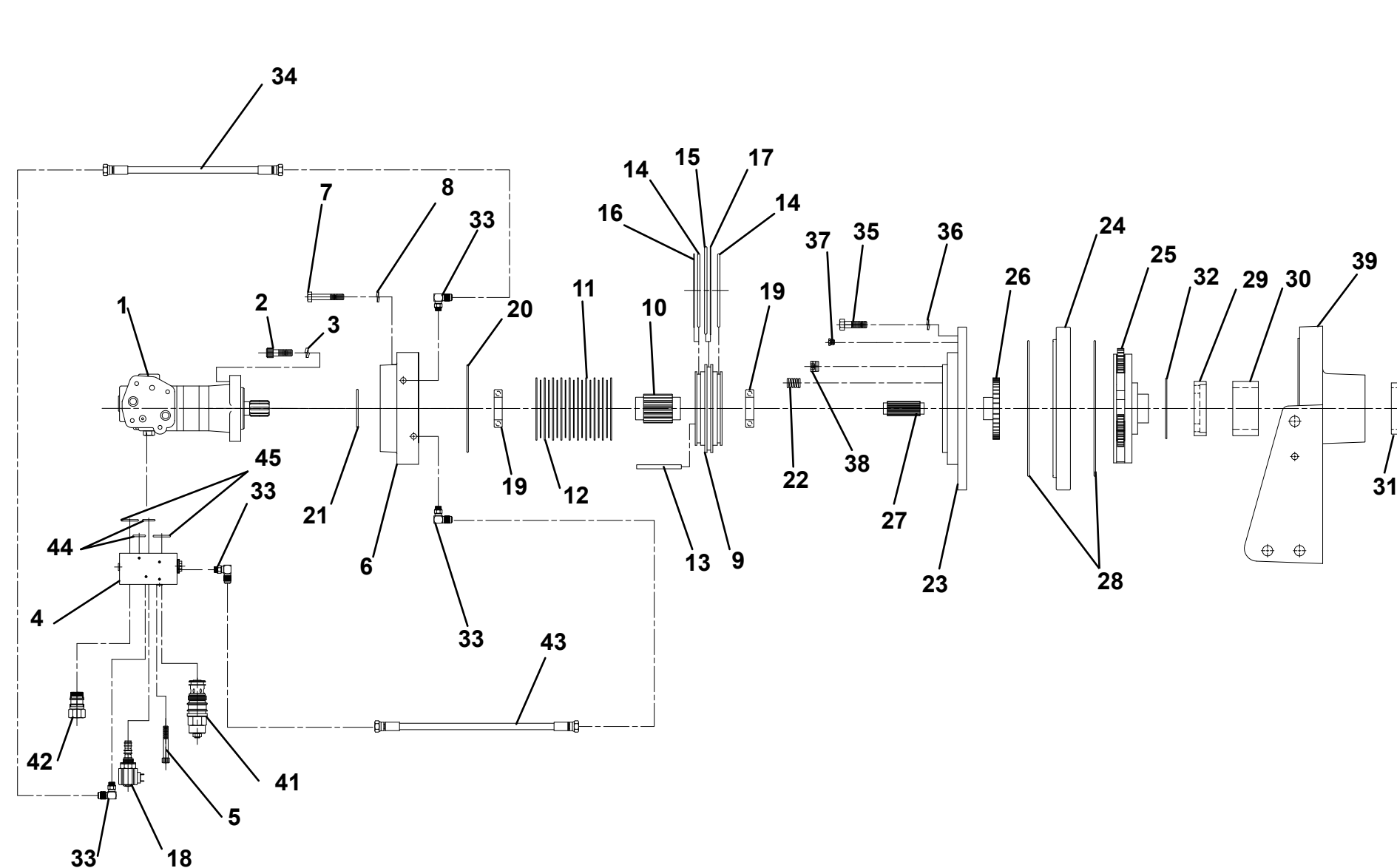
ITEM	PART NO.	DESCRIPTION	QTY	ITEM	PART NO.	DESCRIPTION	QTY
1	70050367	Motor, Hydraulic	1	40	9443960006*	Adapter	1
2	7118181205	Capscrew, 0.50"-13NC x 1.50"	2	41	9935960026	Cartridge, Counterbalance	1
3	7950180800	Lockwasher, 0.50"	2	42	9701960013	Plug Assembly	1
4	70050368	Valve, Counterbalance	1	43	70050373	Hose, 0.25" - R1 x 14.00"	1
5	70050370	Capscrew, 0.38"-24NF x 2.50"	4	44	70050369	O-Ring, 1.12" ID	2
6	9571960006	Housing, Brake Outer	1	45	9796960088	O-Ring, 0.81" ID	2
7	7118172050	Capscrew, 0.44" x 2.50"	6				
8	7950170000	Lockwasher, 0.44"	6				
9	9698960008	Piston, Brake	1				
10	9806960013	Shaft, Brake	1				
11	**	Plate, Friction Disk	10				
12	**	Plate, Brake Drive	9				
13	9691960021	Pin	2				
14	>	O-Ring, 5.38" ID	2				
15	>	O-Ring, 6.50" ID	1				
16	>	Ring, 5.28" ID	1				
17	>	Ring, 6.25" ID	1				
18	70050371	Cartridge, Valve	1				
19	9082960013	Bearing	2				
20	>	O-Ring, 6.75" ID	1				
21	9796960090	O-Ring, 3.00" ID	1				
22	**	Spring	12				
23	7007960040	Adapter, Brake	1				
24	9472960032	Gear, Ring 92 Teeth	1				
25	9472960029	Carrier, Planetary Assembly	1				
26	9472960033	Gear, Sun	1				
27	9806960014	Shaft, Extension	1				
28	9796960085	O-Ring, 10.50" ID	2				
29	9706960027	Plate, Thrust - 45	1				
30	9082960014	Bearing	1				
31	9796960087	Seal, 3.25" ID	1				
32	9754960029	Retainer Ring	1				
33	7445040445	Adapter	3				
34	70050372	Hose, 0.25" - R1 x 16.00"	1				
35	7115182250	Capscrew, 0.50"-13NC x 2.75"	4				
36	7950180000	Lockwasher, 0.50" ID	4				
37	9183960001	Vent	1				
38	9701960010	Plug	2				
39	9177960002	Support, Motor End	1				

* Item Not Shown

** Items Sold Only As Part Of Kit - 9577960119

> Items Sold Only As Part Of Kit - 9577960120

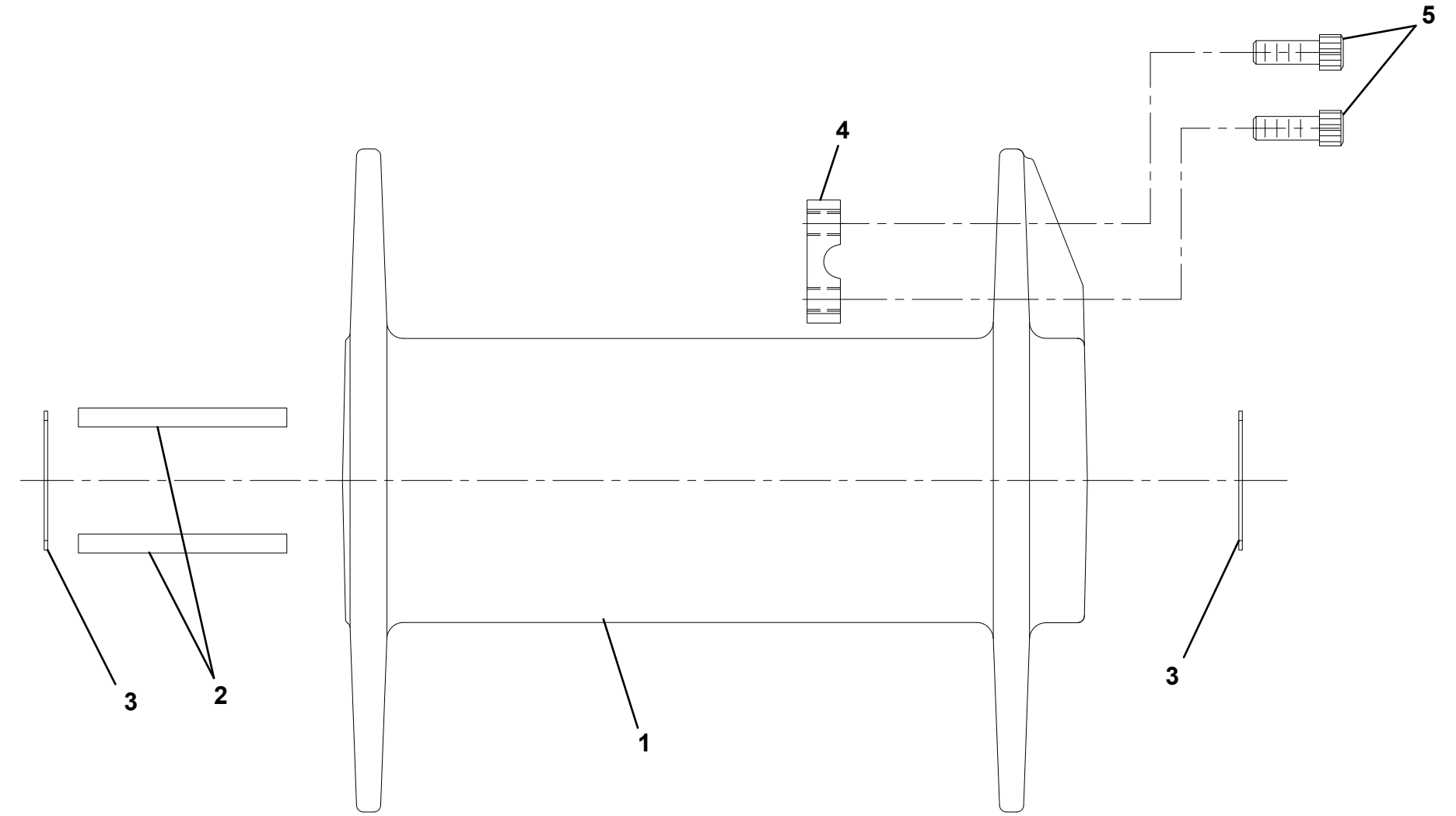
DP WINCH 50K - MOTOR END INSTALLATION



DP WINCH 50K - DRUM INSTALLATION

ITEM	PART NO.	DESCRIPTION	QTY
1	70050381	Drum, Winch	1
2	70050382	Key, Shaft Output	2
3	70050383	Retaining Ring	2
4	9280960002	Clip, Cable - Threaded	1
5	7110201823	Capscrew, 0.63"-11NC x 2.25"	2

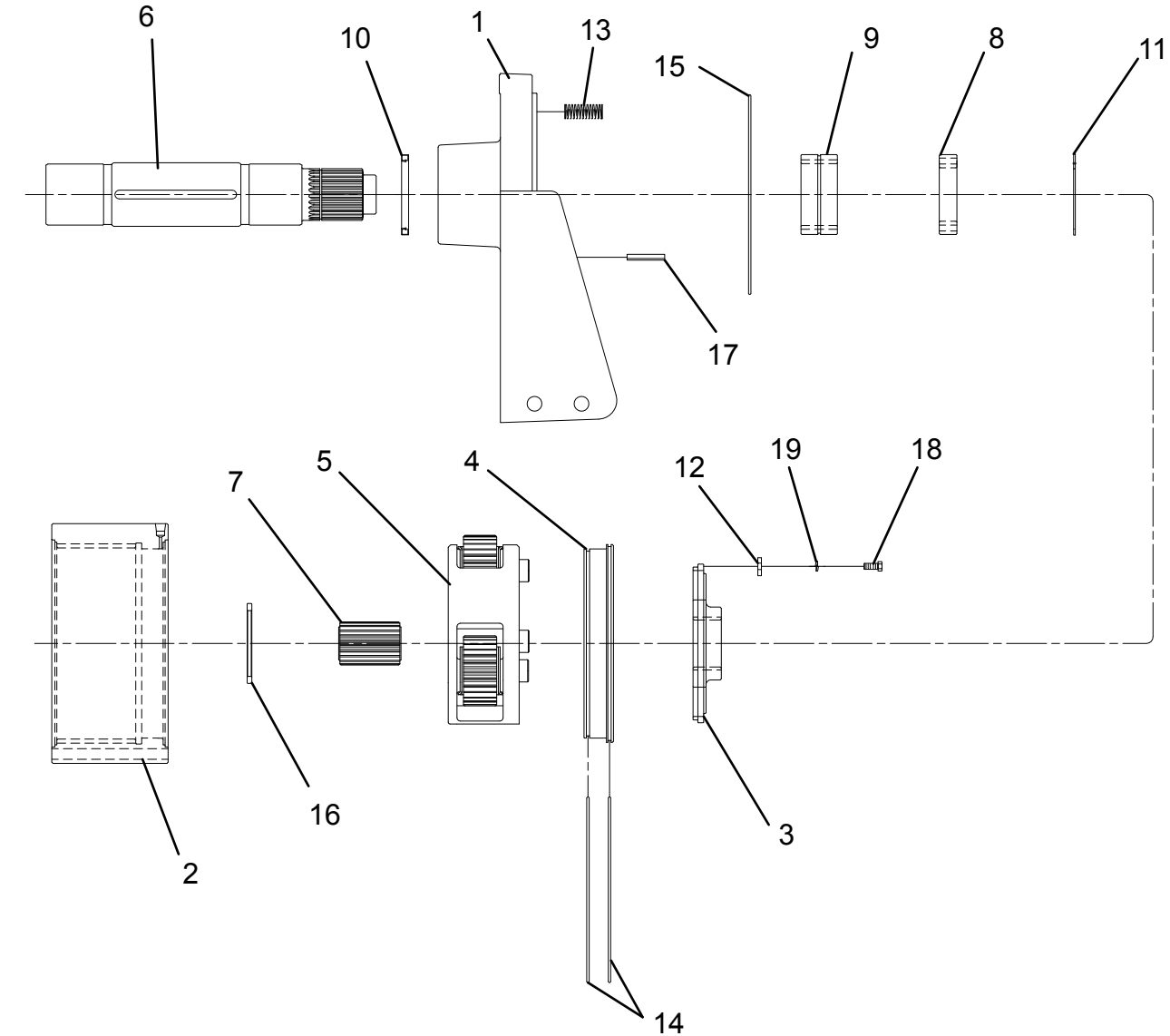
DP WINCH 50K - DRUM INSTALLATION



DP WINCH 50K - GEAR END INSTALLATION

ITEM	PART NO.	DESCRIPTION	QTY
1	9177960001	Support, Gear End	1
2	9472960036	Gear, Ring - 103 Teeth	1
3	9281960004	Clutch	1
4	9698960009	Piston	1
5	9472960030	Carrier Assembly	1
6	9806960015	Shaft, Output	1
7	70050380	Gear, Sun	1
8	9154960027	Ring, Thrust	1
9	9082960014	Bearing, Roller	1
10	9796960087	Seal	1
11	9754960029	Retaining Ring	1
12	9698960010	Piston Retainer	3
13	9843960025	Spring	3
14	9796960093	O-Ring, 9.75" ID	2
15	9796960085	O-Ring, 10.50" ID	1
16	9949960013	Washer, Nylon 4.25" OD	1
17	7690153245	Pin	2
18	7115150650	Capscrew, 0.32"-18NC x 0.75"	6
19	9949960050	Lockwasher, 0.32" ID	6

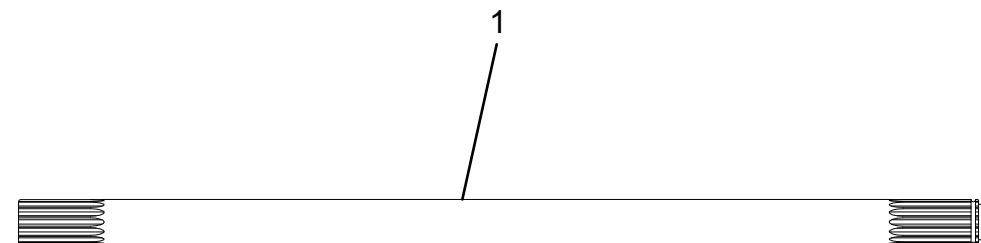
DP WINCH 50K - GEAR END INSTALLATION



DP WINCH 50K - INPUT SHAFT

ITEM	PART NO.	DESCRIPTION	QTY
1	70050374	Input Shaft	1

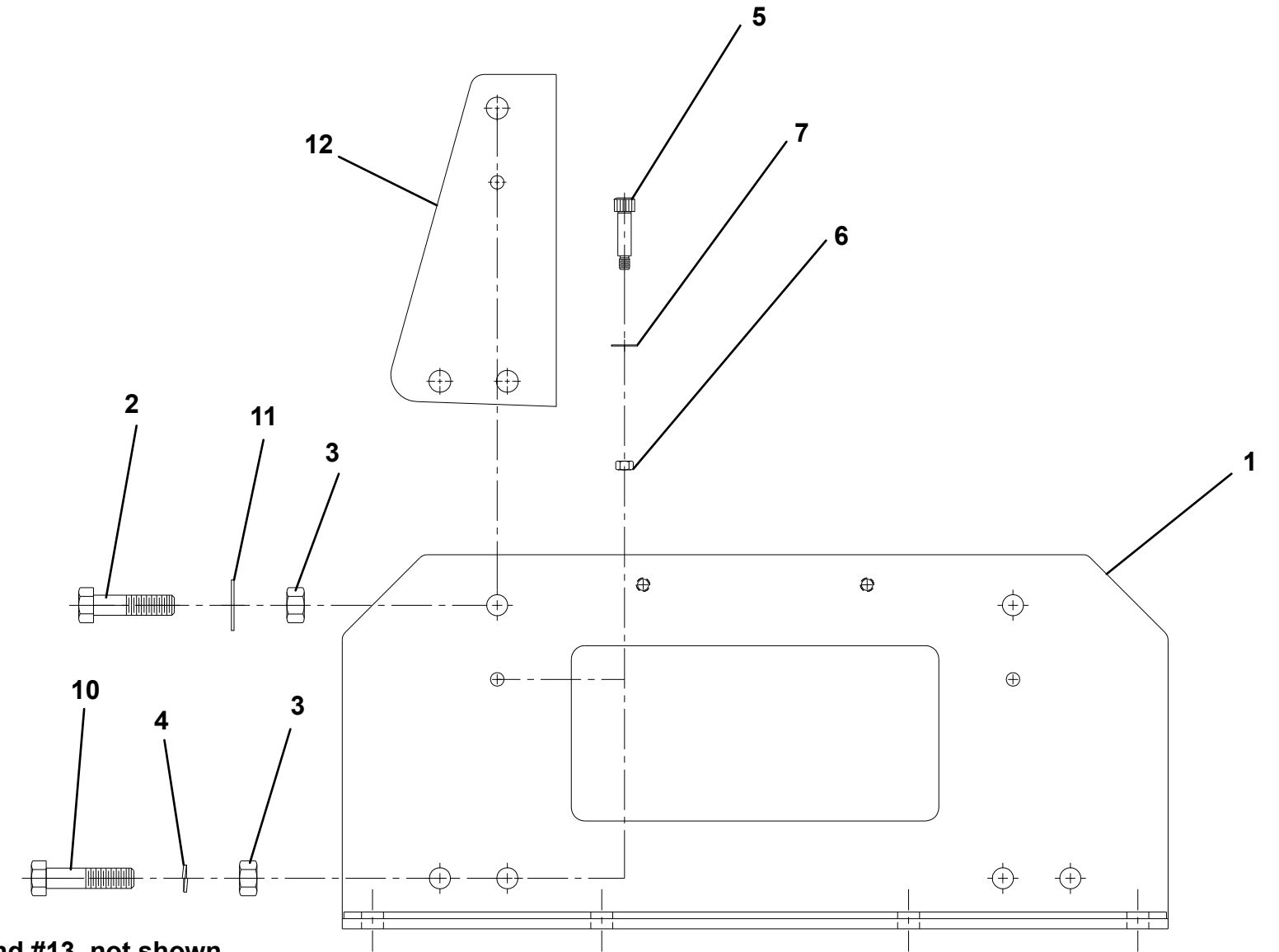
DP WINCH 50K - INPUT SHAFT



DP WINCH 50K - BASE MOUNT INSTALLATION

ITEM	PART NO.	DESCRIPTION	QTY
1	9073960002	Base, Mount	2
2	7115222450	Capscrew, 0.75"-10NC x 3.00"	4
3	7660220001	Nut, 0.75"-10NC	12
4	7950220000	Lockwasher, 0.75" ID	8
5	9120960020	Bolt, 0.50" x 2.00"	4
6	9661960033	Nut, 0.38"-16NC	4
7	9949960051	Flatwasher, 0.38" ID	4
8	70050384	Plate, Winch Information	1
9	70050147	Rivet	4
10	7115222650	Capscrew, 0.75"-10NC x 3.25"	8
11	7950220151	Flatwasher, 0.75" ID	4
12	9831960007	Spacer	4
13	9577960113	Kit, Cable Hold Down	1

DP WINCH 50K - BASE MOUNT INSTALLATION

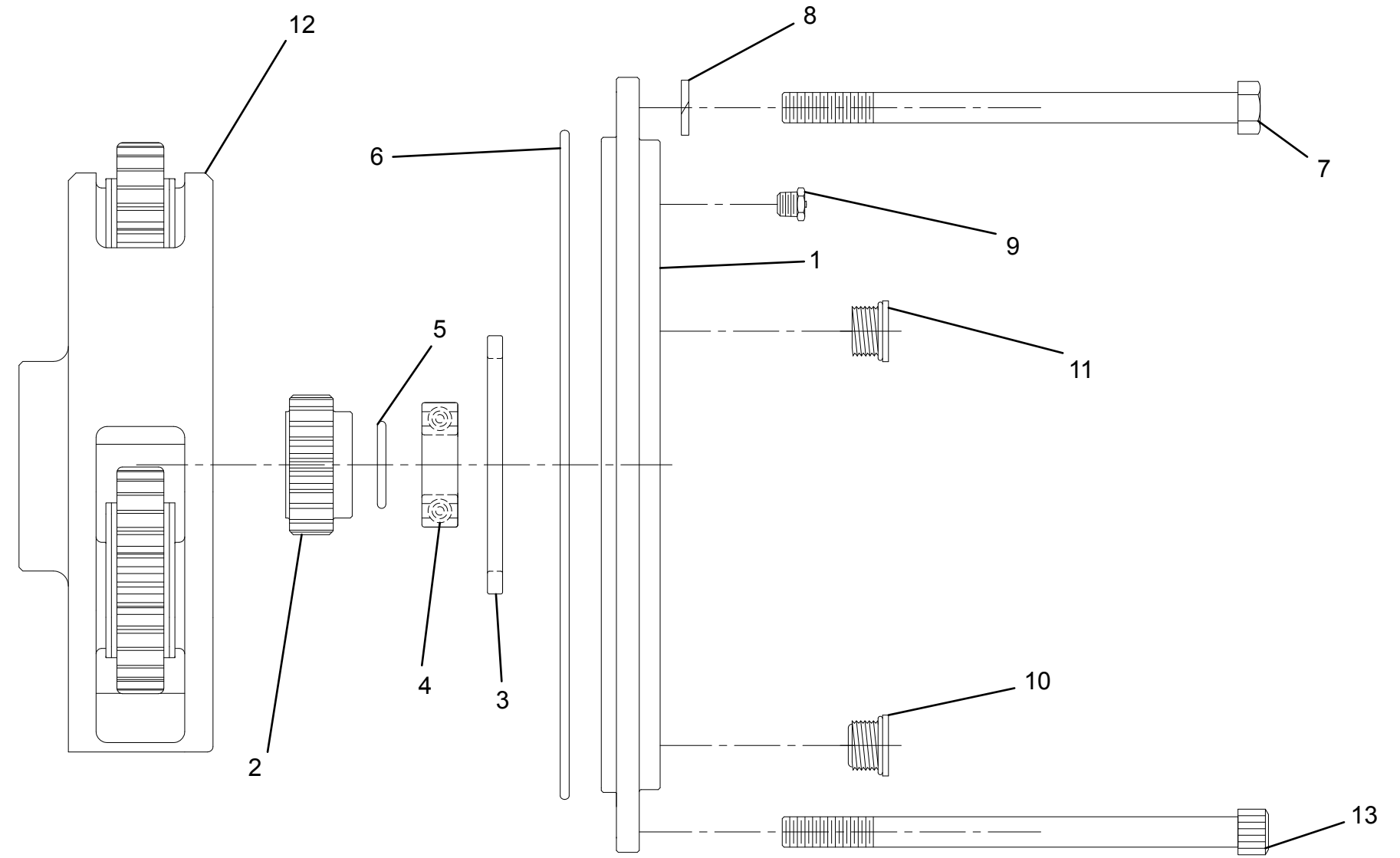


Items #8, #9, and #13, not shown

DP WINCH 50K - GEAR END COVER INSTALLATION

ITEM	PART NO.	DESCRIPTION	QTY
1	70050375	Cover	1
2	70050376	Gear, Sun Primary 29 Teeth	1
3	9949960013	Washer, Thrust - Nylon 4.25" OD x .25"	1
4	9082960015	Bearing	1
5	9754960030	Retaining Ring	1
6	9796960085	O-Ring, 10.50" ID	1
7	70050377	Capscrew, 0.50"-13NC x 7.50"	10
8	7950180000	Lockwasher, 0.50" ID	10
9	9183960001	Vent	1
10	9701960012	Plug	1
11	9701960011	Plug	1
12	70050378	Carrier Assembly	1
13	70050379	Capscrew, 0.50"-13NC x 7.00"	2

DP WINCH 50K - GEAR END COVER INSTALLATION

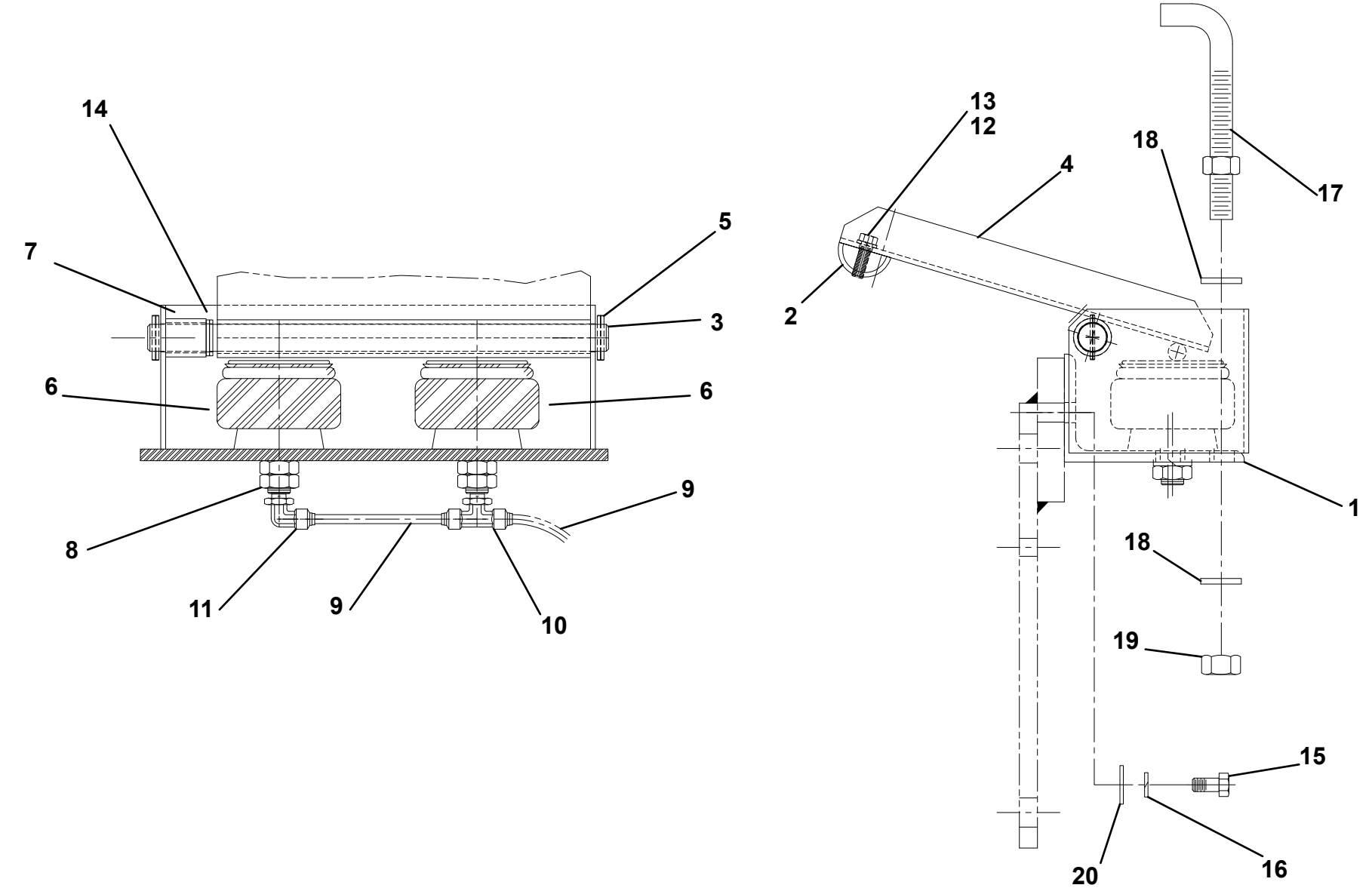


DP WINCH 50K - CABLE HOLD DOWN KIT

ITEM	PART NO.	DESCRIPTION	QTY
1	9178960011	Bracket	1
2	9064960001	Bar	1
3	9691960019	Pin	1
4	9020960002	Arm, Pivot	1
5	9690960039	Cotter Pin	2
6	9843960023	Spring, Air Cushion	2
7	9831960009	Spacer	1
8	7660200200	Nut, 0.63"-11NC	4
9	9912960010	Tubing	1
10	7443000205	Adapter	1
11	7443000204	Adapter	1
12	9949960050	Lockwasher, 0.63" ID	3
13	9120960063	Capscrew, 0.63"-18NC x 1.00"	3
14	9949960012	Washer	2
15	7115181650	Capscrew, 0.50"-13NC x 1.00"	2
16	7950180000	Lockwasher, 0.50" ID	2
17	9120960019	Bolt, 0.63" x 6.50" 90 Degree	1
18	7950200151	Flatwasher, 0.63" ID	2
19	7660200001	Nut, 0.63"-11NC	1
20	70050385	Flatwasher, 0.50" ID	2

All items can be purchased as Assembly 9577960113

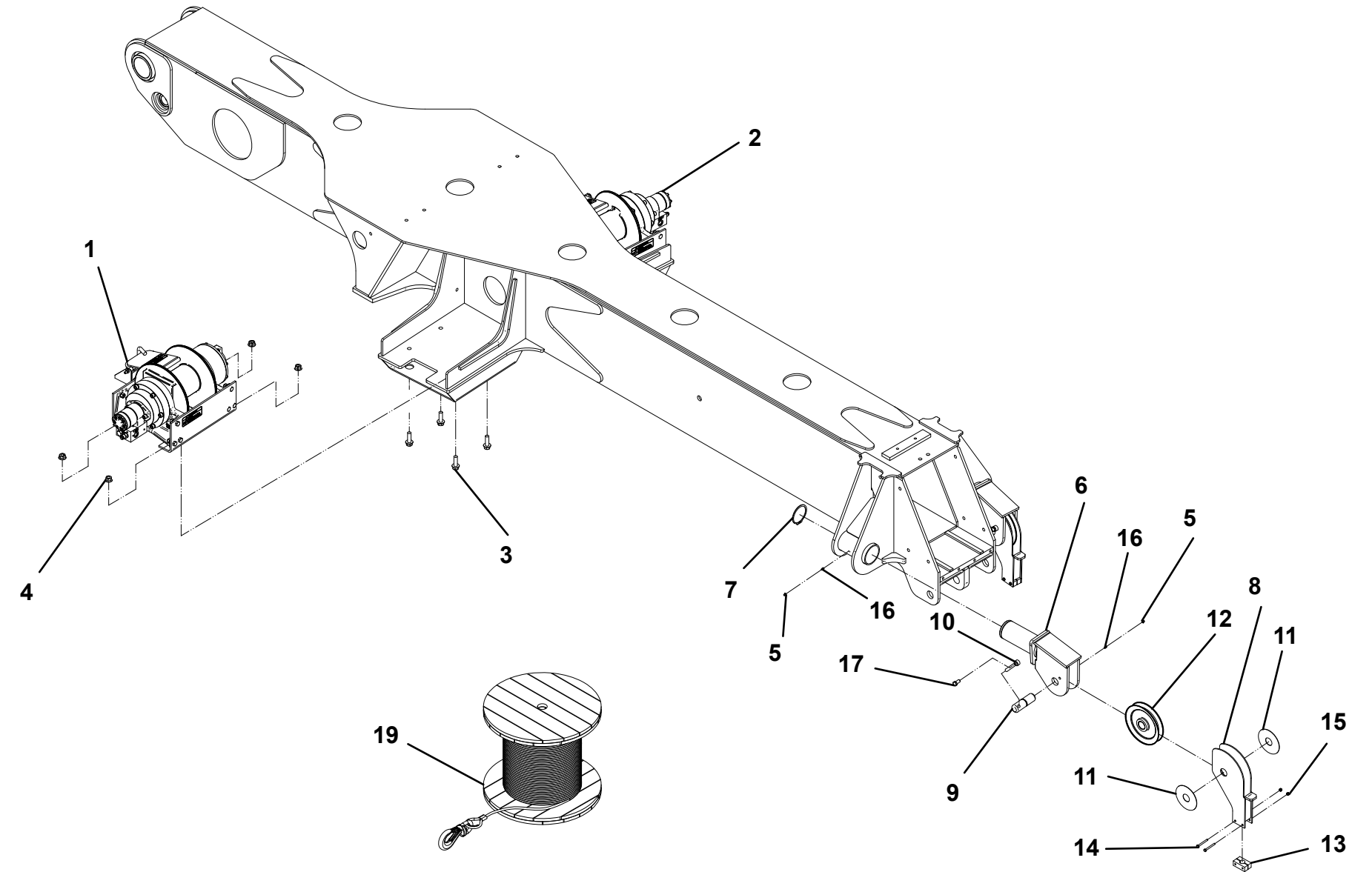
DP WINCH 50K - CABLE HOLD DOWN KIT



AUXILIARY WINCH INSTALLATION

ITEM	PART NO.	DESCRIPTION	QTY
1	1001157913	Winch, DP20	1
2	1001157914	Winch, DP20	1
3	7118201616	Capscrew, 0.63"-11NC x 2.00"	8
4	7661000018	Nut, 0.63"-11NC	8
5	7253000002	Grease Fitting Cap	4
6	1001169617	Sheave Support Weldment	2
7	7754000049	Retaining Ring	2
8	3249000012	Cable Guide Weldment	2
9	1001169893	Pin	2
10	3841203	Rod	2
11	4949000045	Washer, 1.53" ID X 0.06"	4
12	1001157954	Sheave	2
13	4249000002	Cable Guide	4
14	7115142050	Capscrew, 0.25"-20NC x 2.50"	4
15	7660142604	Locknut, 0.25"-20NC	4
16	7440030000	Grease Fitting	4
17	7115180850	Capscrew, 0.50"-13NC X 1.00"	2
18	100011	Thread Locker	A/R
19	1001159354	Wire Rope w/ Swivel	2

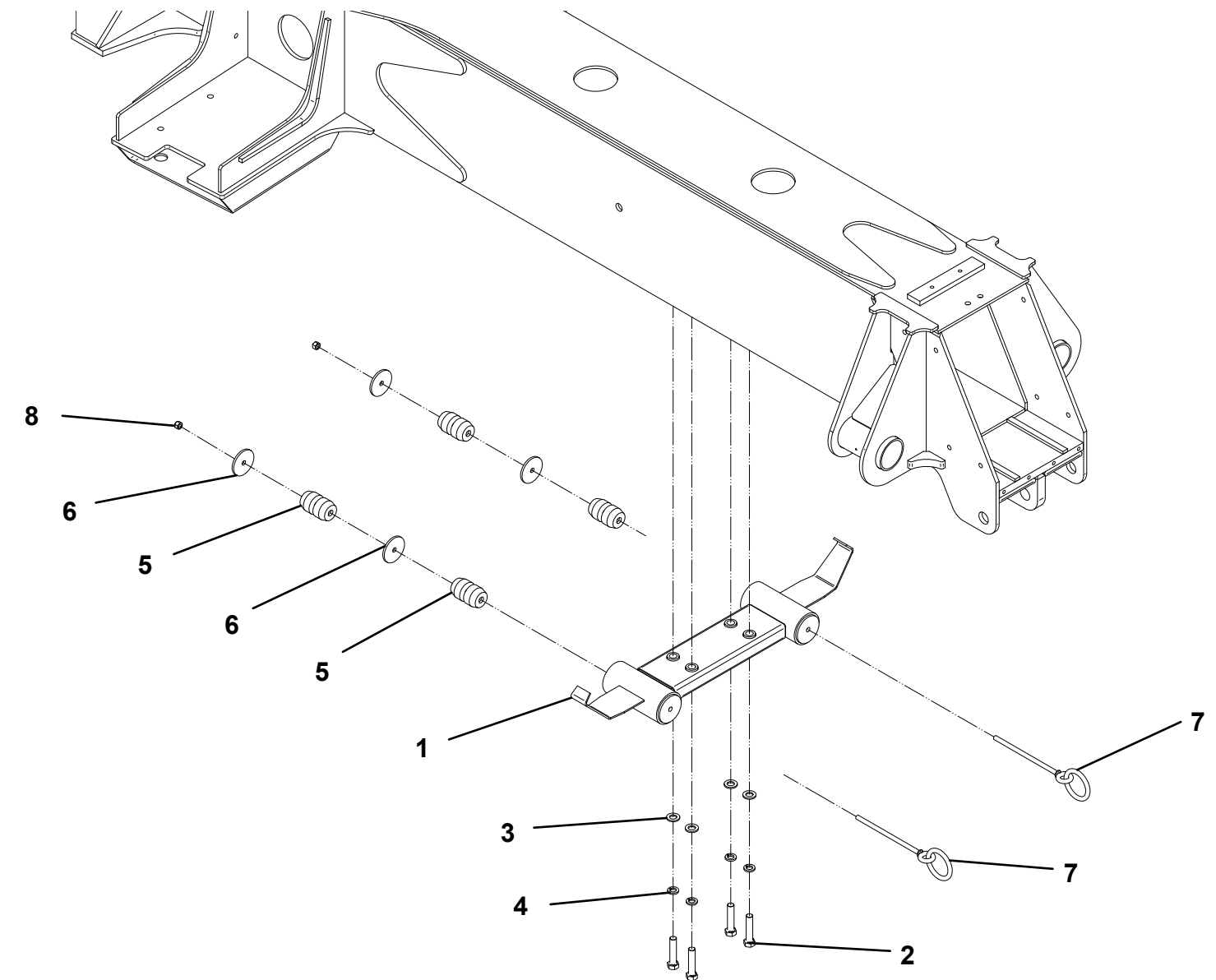
AUXILIARY WINCH INSTALLATION



AUXILIARY WINCH CABLE TIE-BACK INSTALLATION

ITEM	PART NO.	DESCRIPTION	QTY
1	1001158198	Bracket, Cable Tie-Back	1
2	7118222850	Capscrew, 0.75"-10NC x 3.50"	4
3	7950220141	Flatwasher, 0.75" ID	4
4	7950220000	Lockwasher 0.75"ID	4
5	7189000014	Spring	4
6	4831000115	Spacer	4
7	7120000053	Ring Bolt, 0.50" - 13UNC x 10.00"	2
8	7660182601	Locknut, 0.50"-13NC	2

AUXILIARY WINCH CABLE TIE-BACK INSTALLATION



DP WINCH 20K - MOTER END INSTALLATION

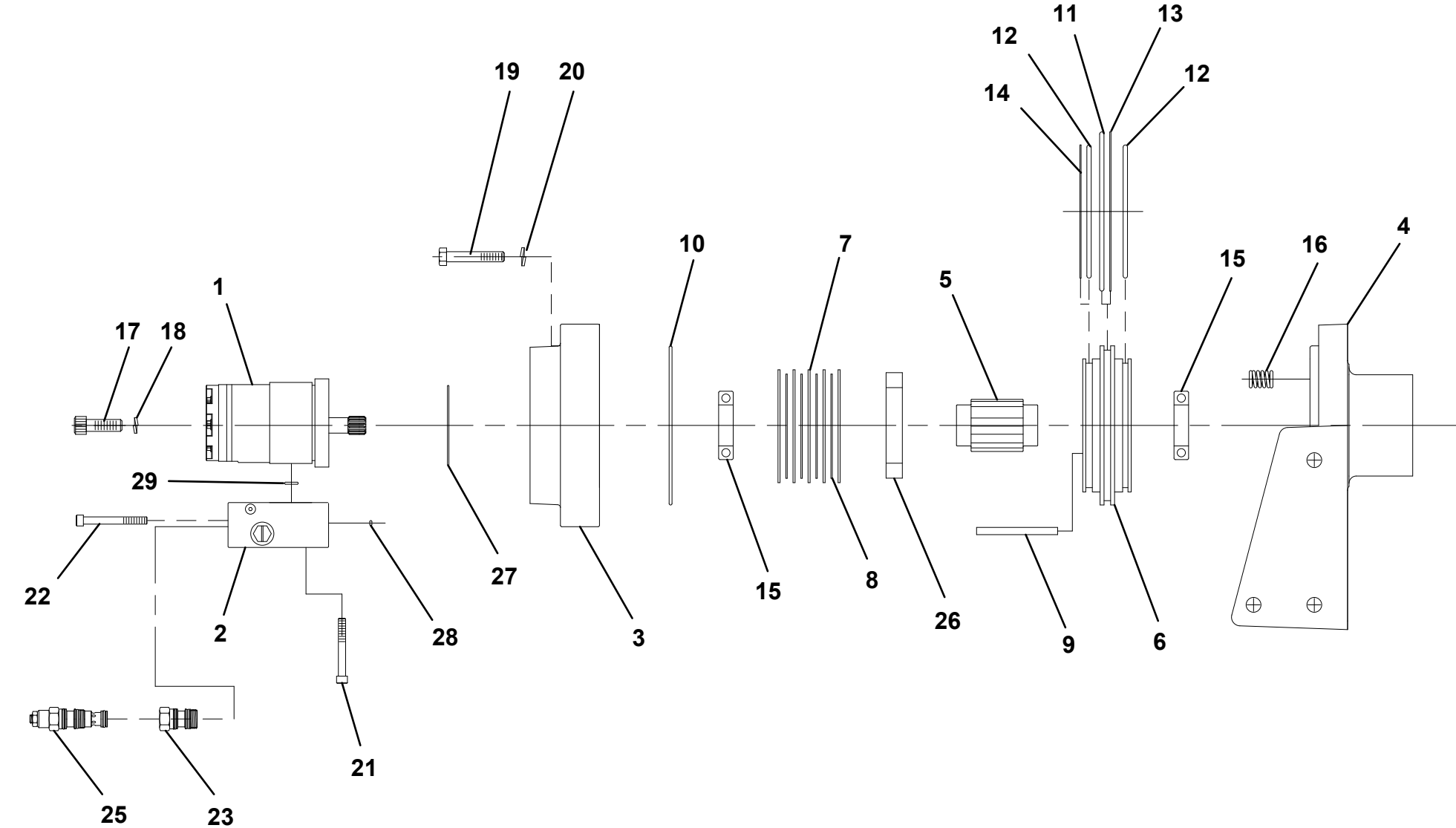
ITEM	PART NO.	DESCRIPTION	QTY
1	70050113	Motor, Hydraulic	1
2	70050739	Valve, Counterbalance	1
3	70050741	Housing, Brake	1
4	70050742	Support, Motor End	2
5	70050743	Shaft, Brake	1
6	9698960008	Piston, Brake	1
7	**	Plate, Friction Disc	5
8	**	Plate, Brake Drive	4
9	9691960021	Pin	2
10	<	O-Ring, 7.00" ID	1
11	<	O-Ring, 6.50" ID	1
12	<	O-Ring, 5.38" ID	2
13	<	Ring, 6.25" ID	1
14	<	Ring, 5.28" ID	1
15	9082960013	Bearing	2
16	**	Spring	12
17	70050127	Capscrew, 0.50"-13NC x 1.25"	2
18	7950180800	Lockwasher, 0.50"	2
19	7118172050	Capscrew, 0.44"-14NC x 2.50"	6
20	7950170000	Lockwasher, 0.44"	6
21	70050744	Capscrew, 0.31"-18NC x 2.00"	4
22	70050126	Capscrew, 0.25"-20NC x 4.50"	1
23	70050132	Plug	1
24	70050401*	Tag, Warning	1
25	70050129	Cartridge, Counterbalance	1
26	9831960008	Spacer, Brake	1
27	9796960145	O-Ring, 3.25" ID	1
28	70050115	O-Ring, 0.13" ID	1
29	70050740	O-Ring, 0.69" ID	2

* Item Not Shown

** Available only in Kit 9577960119

< Available only in Kit 9577960120

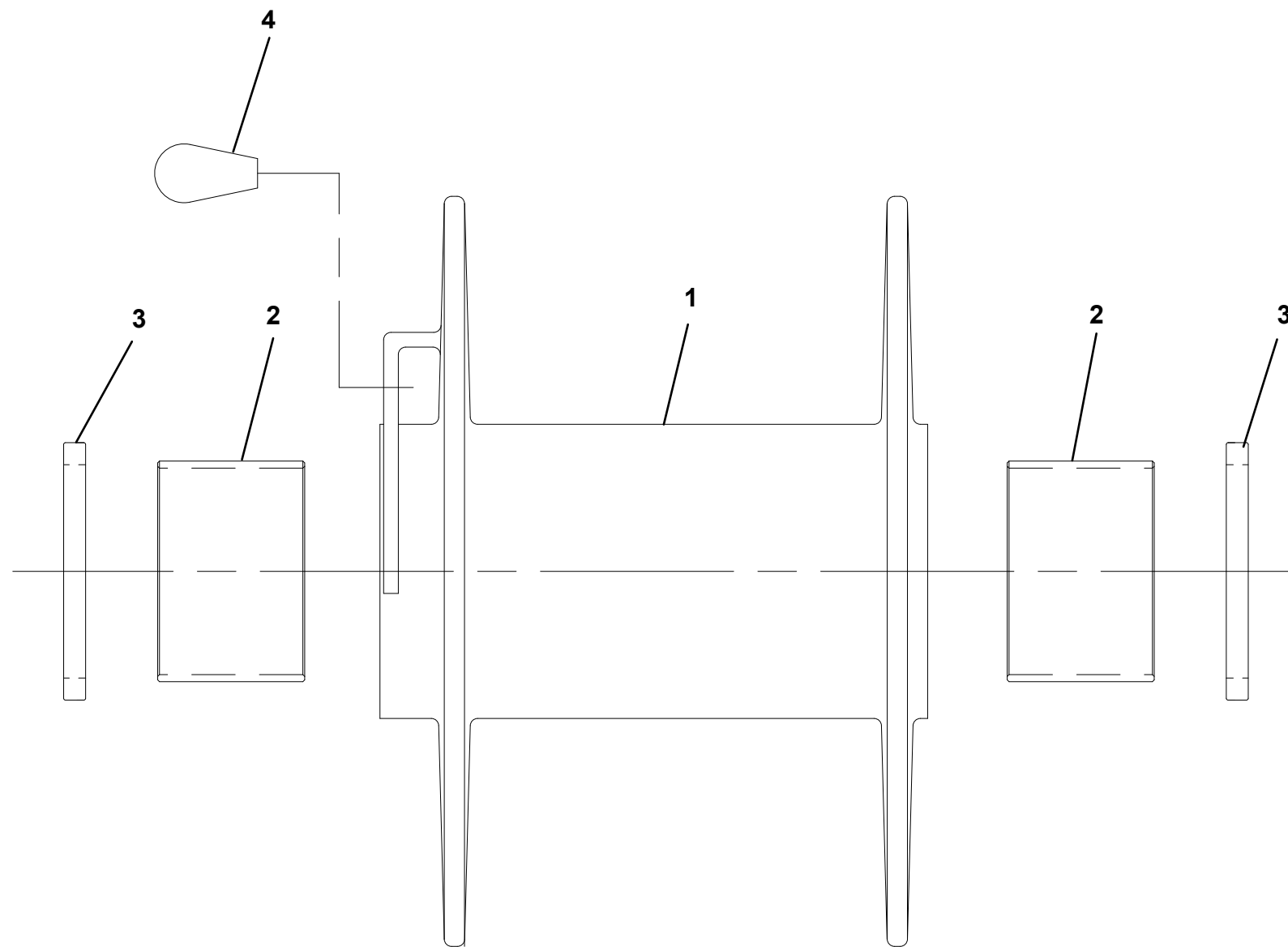
DP WINCH 20K - MOTOR END INSTALLATION



DP WINCH 20K - DRUM INSTALLATION

ITEM	PART NO.	DESCRIPTION	QTY
1	70050745	Drum	1
2	70050746	Bearing	2
3	70050747	Seal, 3.63" ID	2
4	70050749	Wedge, 0.56"	1

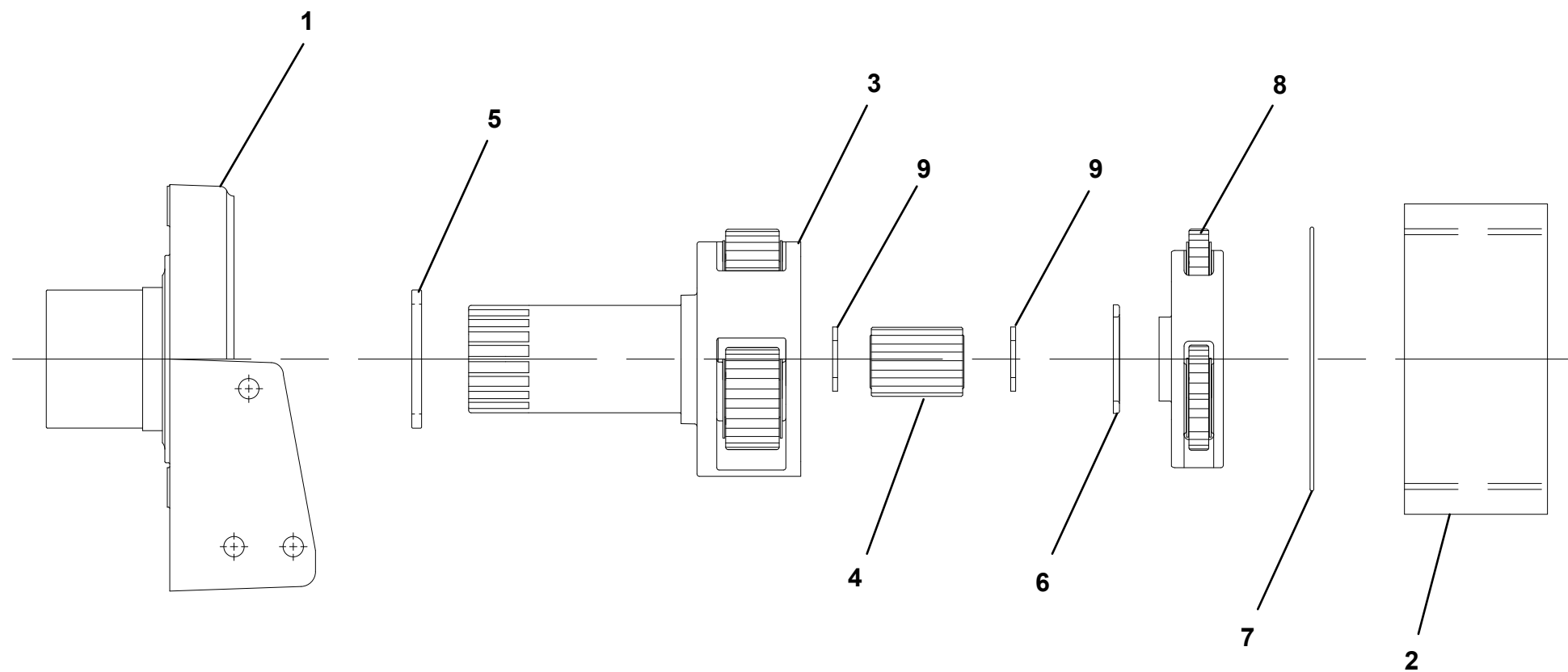
DP WINCH 20K - DRUM INSTALLATION



DP WINCH 20K - GEAR END INSTALLATION

ITEM	PART NO.	DESCRIPTION	QTY
1	70050750	Support, Gear End	1
2	70050139	Gear, Ring	1
3	70050751	Carrier Assembly	1
4	70050140	Gear	1
5	70050752	Washer, Thrust - Nylon	1
6	9949000056	Washer, Thrust - Nylon	1
7	9796960188	O-Ring, 6.50" ID	1
8	70050141	Carrier	1
9	9949960057	Washer, Thrust	2

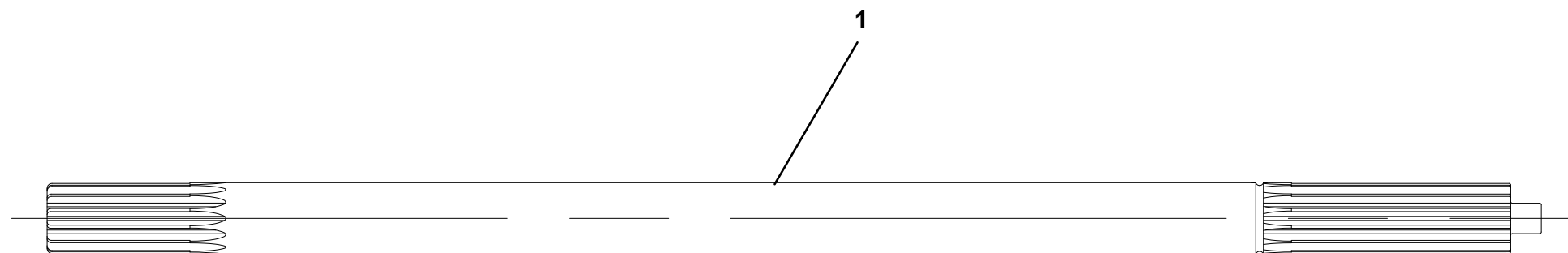
DP WINCH 20K - GEAR END INSTALLATION



DP WINCH 20K - INPUT SHAFT INSTALLATION

ITEM	PART NO.	DESCRIPTION	QTY
1	70050753	Input Shaft	1

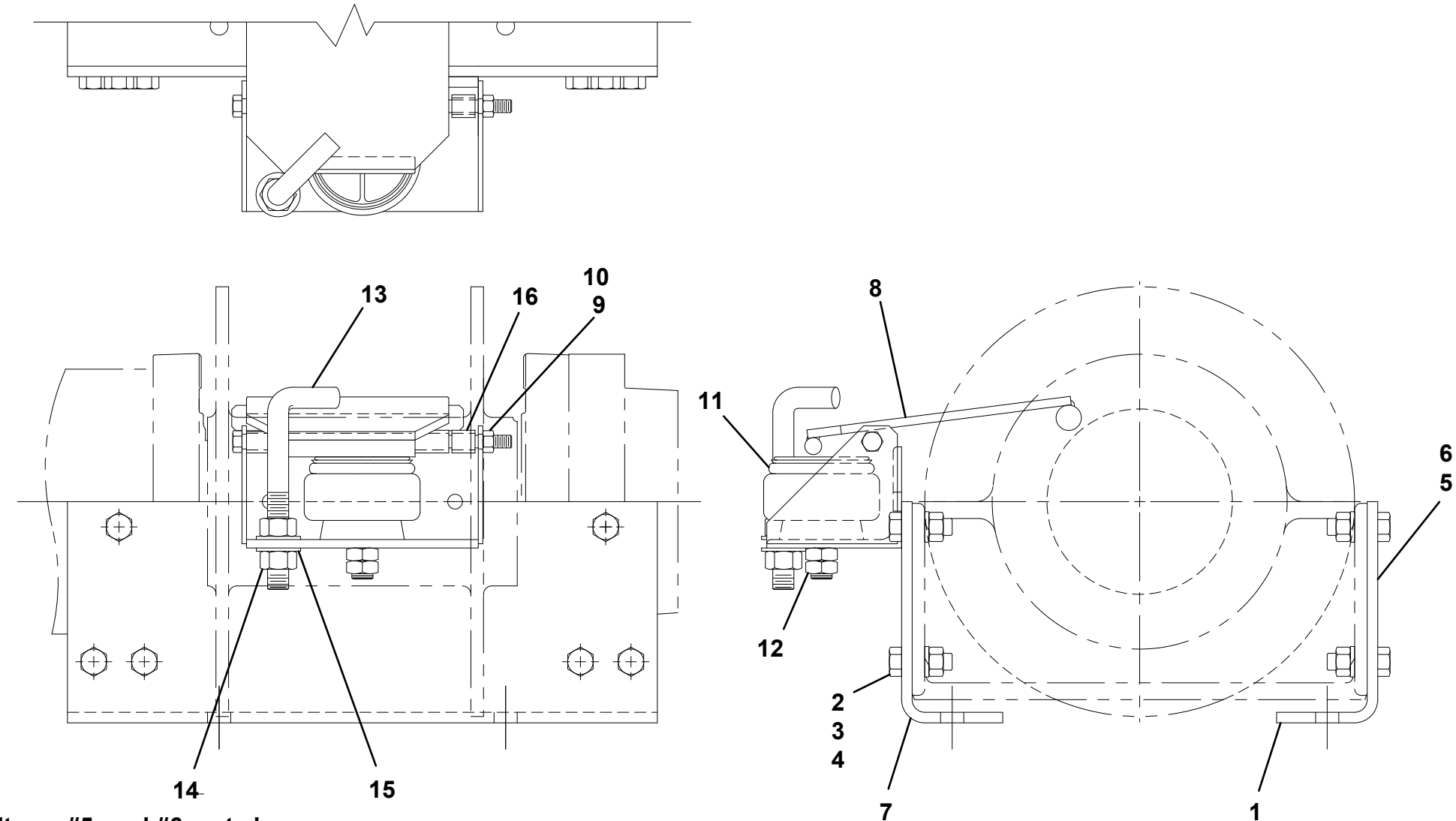
DP WINCH 20K - INPUT SHAFT INSTALLATION



DP WINCH 20K - BASE MOUNT INSTALLATION

ITEM	PART NO.	DESCRIPTION	QTY
1	70050754	Base, Angle	1
2	70050755	Capscrew, 0.50"-13NC x 1.50"	12
3	70050756	Nut, 0.50"-13NC	12
4	7950180000	Lockwasher, 0.50" ID	12
5	70050384	Plate, Winch Information	1
6	70050147	Rivet	4
7	70050757	Base, Angle	1
8	70050758	Arm, Rub Bar	1
9	70050759	Capscrew, 0.38"-16NC x 8.00"	1
10	9661960034	Locknut, 0.38"-16NC	1
11	9843960023	Spring, Air Cushion	1
12	7660200200	Nut, 0.63"-11NC	2
13	9120960019	Bolt, 0.63" x 6.50" 90 Degree	1
14	7660200001	Nut, 0.63"-11NC	1
15	7950200151	Flatwasher, 0.63" ID	2
16	70050760	Spacer, Rub Bar	1

DP WINCH 20K - BASE MOUNT INSTALLATION



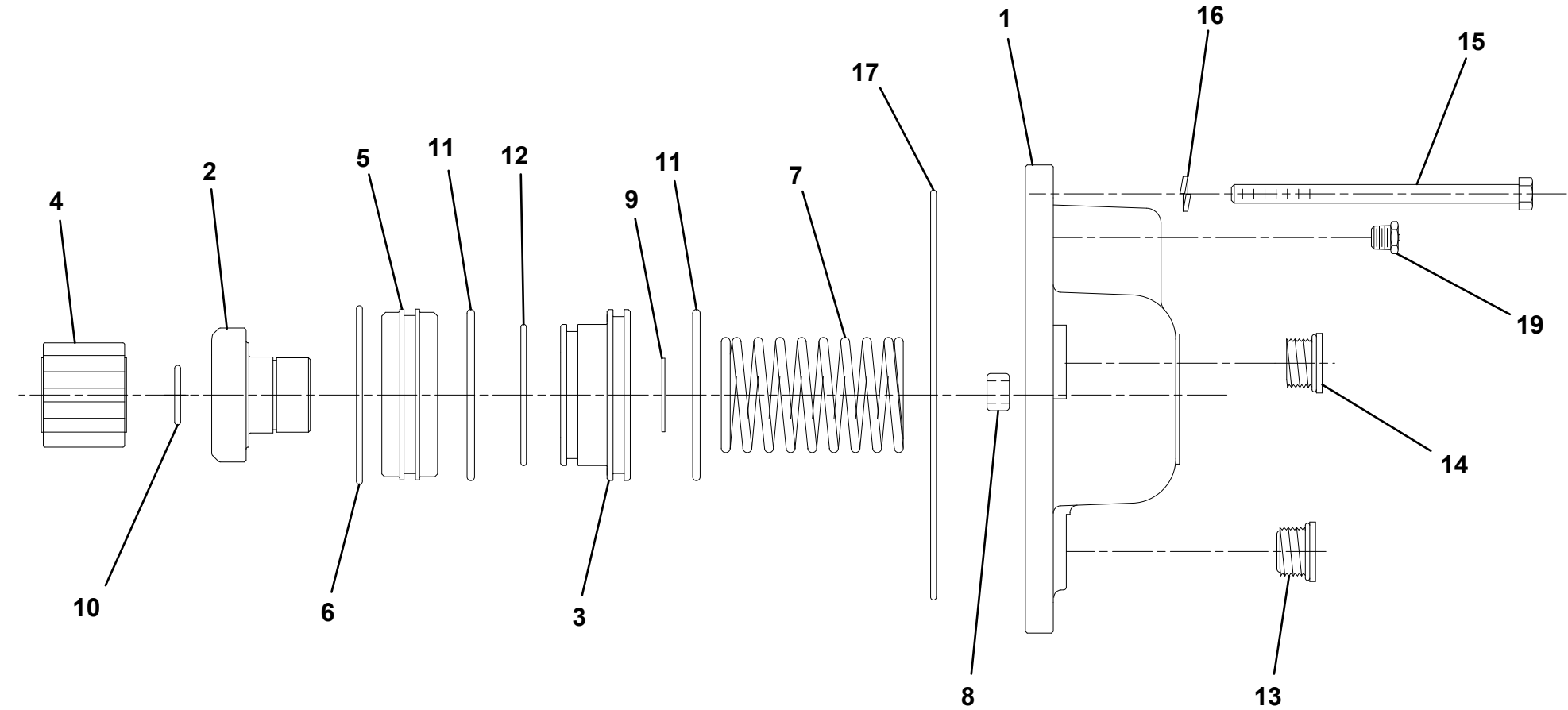
Items #5, and #6, not shown

DP WINCH 20K - GEAR END COVER INSTALLATION

ITEM	PART NO.	DESCRIPTION	QTY
1	70050151	Cover	1
2	70050085	Coupling, Drive	1
3	70050086	Piston	1
4	70050152	Gear	1
5	9698960015	Piston, Cylinder	1
6	9754960026	Ring, Retainer	1
7	9843960032	Spring	1
8	9209960026	Bushing	1
9	9754960046	Ring, Retainer	1
10	9754960047	Ring, Retainer	1
11	9796960116	O-Ring, 2.63" ID	2
12	9796960118	O-Ring, 2.13" ID	1
13	9701960012	Plug	1
14	9701960011	Plug	1
15	70050761	Capscrew, 0.44"-18NC x 4.75"	8
16	9949960050	Lockwasher, 0.44" ID	8
17	9796960188	O-Ring, 6.50" ID	1
18	9701960018*	Caplug	1
19	9183960001	Vent	1

* Item Not Shown

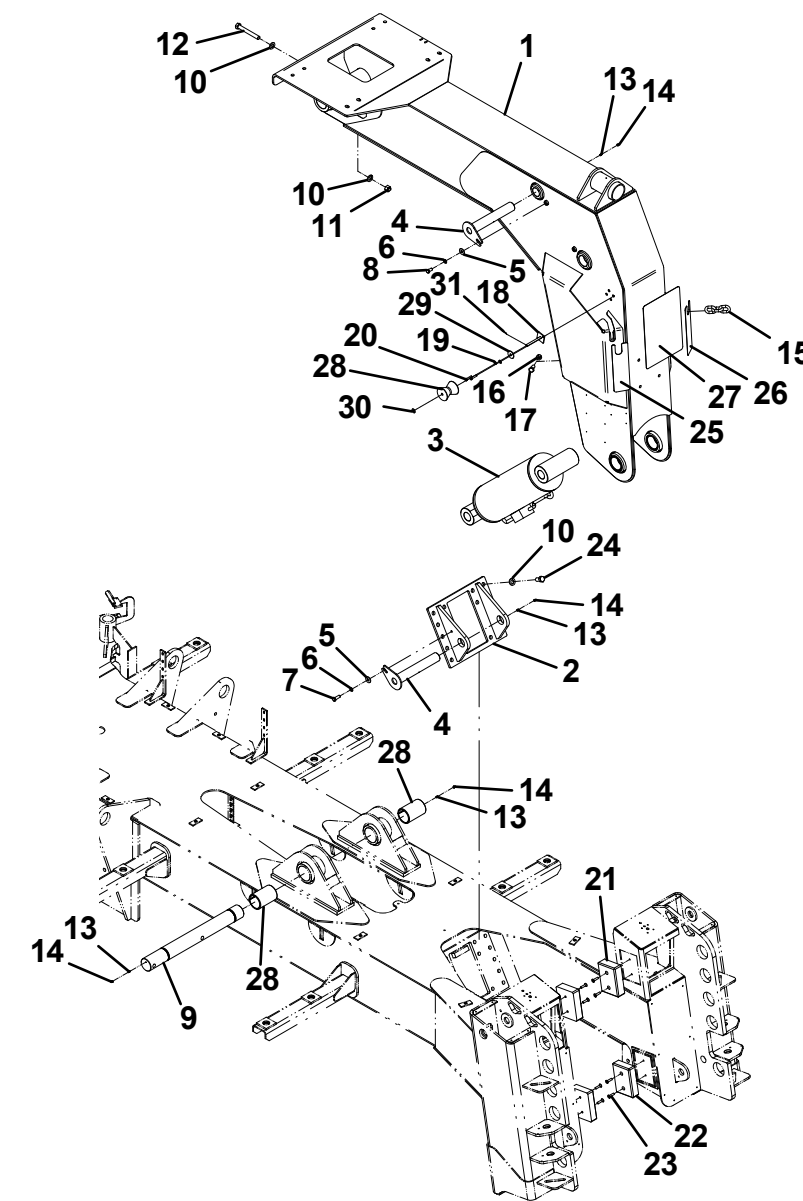
DP WINCH 20K - GEAR END COVER INSTALLATION



UNDERLIFT BOOM INSTALLATION - 30,000/35,000 LB

ITEM	PART NO.	DESCRIPTION	QTY
1	1001128440	Underlift Knee Boom	1
2	1001128450	Bracket, Lift Cylinder Support	1
3	7320000040	Underlift Lift Cylinder Assembly	1
4	3691000171	Pin	2
5	7950180161	Flatwasher, 0.50" ID	3
6	7950180000	Lockwasher, 0.59" ID	3
7	7115181250	Capscrew, 0.50"-13NC x 1.50"	1
8	7115180850	Capscrew, 0.50"-13NC x 1.00"	2
9	1001128697	Pin	1
10	7950220141	Flatwasher, 0.75" ID	18
11	7660222601	Locknut, 0.75"-10NC	1
12	682248	Capscrew, 0.75"-10NC x 6.00"	1
13	7440030000	Grease Fitting	7
14	7253000002	Cap, Grease Fitting	7
15	7262000025	Chain	2
16	7660202601	Locknut, 0.63"-11NC	2
17	7115201250	Capscrew, 0.63"-11NC x 1.50"	2
18	1001172053	Bracket	2
19	7950160141	Flatwasher, 0.38" ID	4
20	7115161450	Capscrew, 0.38"-16NC x 1.75"	4
21	1001129534	Pad, Top	2
22	1001129535	Pad, Bottom	2
23	7115161223	Capscrew, 0.38"-16NC x 1.50"	8
24	682212	Capscrew, 0.75"-10NC x 1.50"	16
25	1001151184	Decal, Wear - LH	1
26	1001151185	Decal, Wear - RH	1
27	1001151049	Decal, Wear	1
28	1001172054	Roller, Chain	2
29	7949000015	Washer	2
30	7950180141	Flatwasher, 0.50" ID	2
31	7691000042	Pin	2

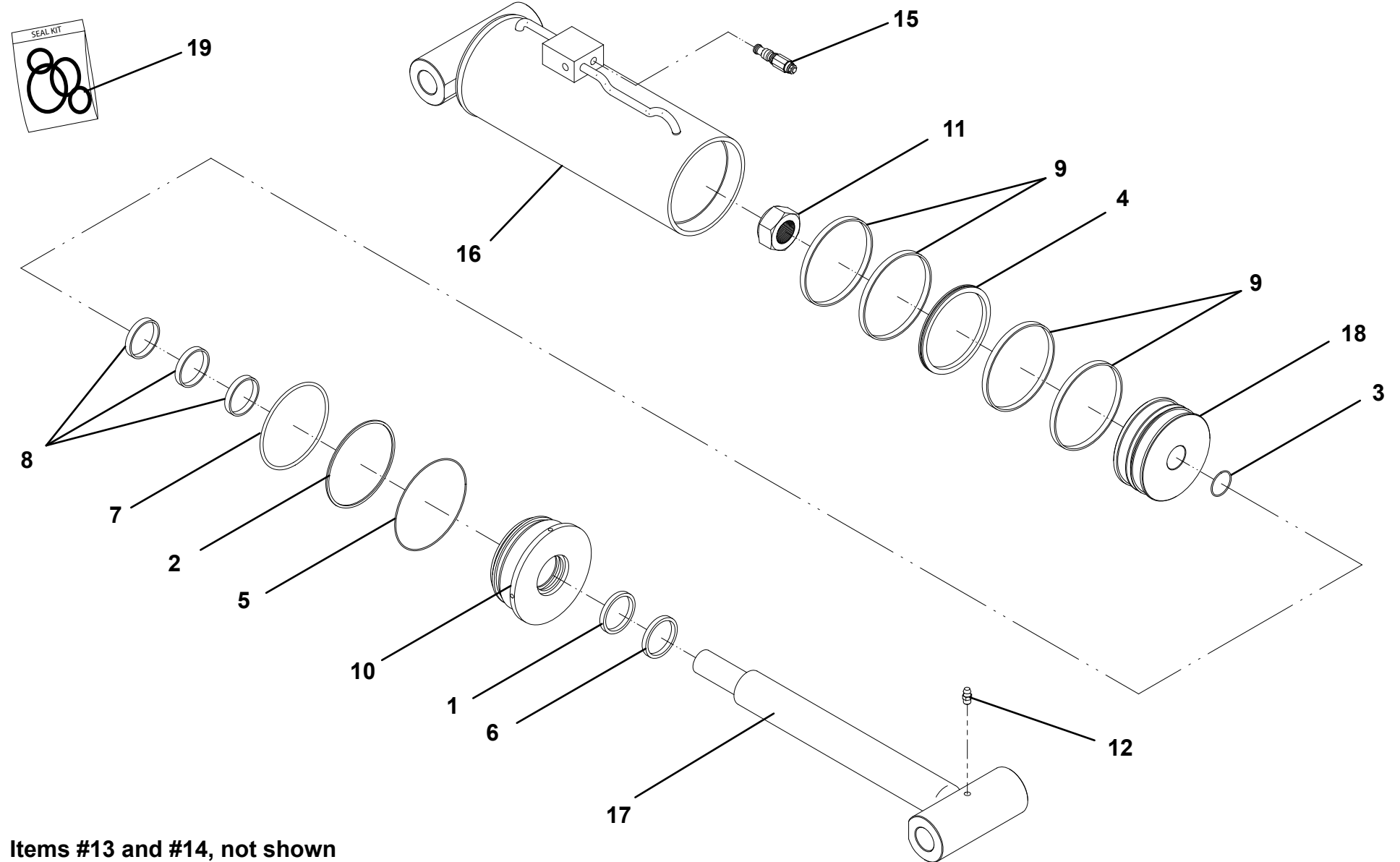
UNDERLIFT BOOM INSTALLATION - 30,000/35,000 LB



UNDERLIFT LIFT CYLINDER ASSEMBLY - 732000040

ITEM	PART NO.	DESCRIPTION	QTY
1	9796250071	Seal	1
2	9754250043	Ring, Back-up	1
3	9796250062	Seal, "O" Ring	1
4	9796250113	Seal	1
5	9796250124	Seal, "O" Ring	1
6	9796250125	Seal, Wiper	1
7	9796250117	Seal, "O" Ring	1
8	83304140	Ring, Wear	3
9	9754250045	Ring, Wear	4
10	7019892	Head	1
11	7005314	Locknut	1
12	7005348	Grease Fitting	1
13	7005365	Plug, Port	1
14	70021648	Plug, Port	2
15	70050216	Valve, Counterbalance	1
16	9912250018	Assembly, Tube	1
17	9763250022	Assembly, Rod	1
18	9698250017	Piston	1
19	7577250255	Kit, Seal	1

UNDERLIFT LIFT CYLINDER ASSEMBLY - 732000040

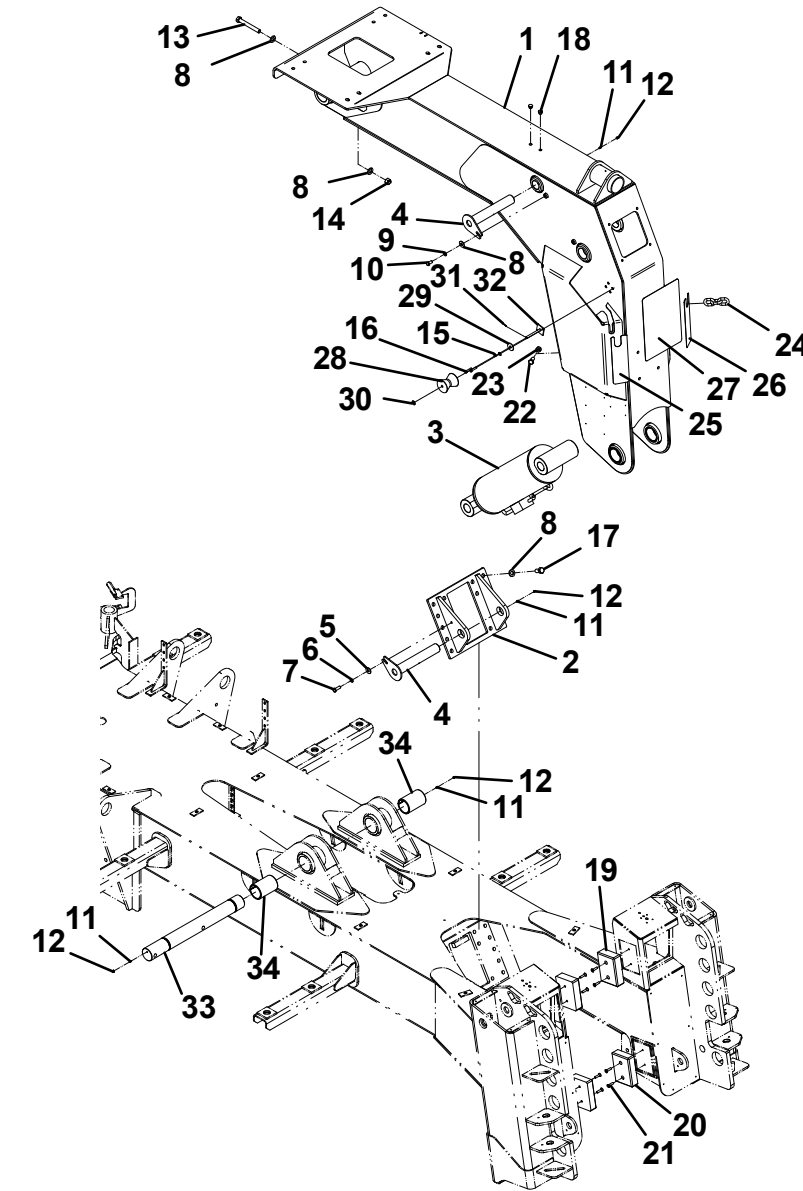


Items #13 and #14, not shown

UNDERLIFT BOOM INSTALLATION - 53,000/56,500 LB

ITEM	PART NO.	DESCRIPTION	QTY
1	1001133242	Underlift Knee Boom	1
2	1001133286	Bracket, Lift Cylinder Support	1
3	7320000063	Underlift Lift Cylinder Assembly	1
4	3691000231	Pin	1
5	7950180161	Flatwasher, 0.50" ID	1
6	7950180000	Lockwasher, 0.59" ID	1
7	7115181250	Capscrew, 0.50"-13NC x 1.50"	1
8	7950220141	Flatwasher, 0.75" ID	20
9	7950220000	Lockwasher, 0.75" ID	2
10	7115220850	Capscrew, 0.75"-10NC x 1.00"	2
11	7440030000	Grease Fitting	5
12	7253000002	Cap, Grease Fitting	7
13	682248	Capscrew, 0.75"-10NC x 6.00"	1
14	7660222601	Locknut, 0.75"-10NC	1
15	7950160141	Flatwasher, 0.38" ID	4
16	7115161450	Capscrew, 0.38"-16NC x 1.75"	4
17	682212	Capscrew, 0.75"-10NC x 1.50"	16
18	7189000017	Rubber Bumper	2
19	4679000127	Pad, Top	2
20	4679000245	Pad, Bottom	2
21	7115160623	Capscrew, 0.38"-16NC x 7.00"	8
22	7115201250	Capscrew, 0.63"-11NC x 1.50"	2
23	7660202601	Locknut, 0.63"-11NC	2
24	7262000025	Chain	2
25	1001151184	Decal, Wear - LH	1
26	1001151185	Decal, Wear - RH	1
27	1001151050	Decal, Wear	1
28	1001172054	Chain Roller	2
29	7949000015	Washer	2
30	7950180141	Flatwasher, 0.50" ID	2
31	7691000042	Pin	2
32	1001172053	Bracket	2
33	1001128697	Pin	1
34	1001128160	Bushing	2

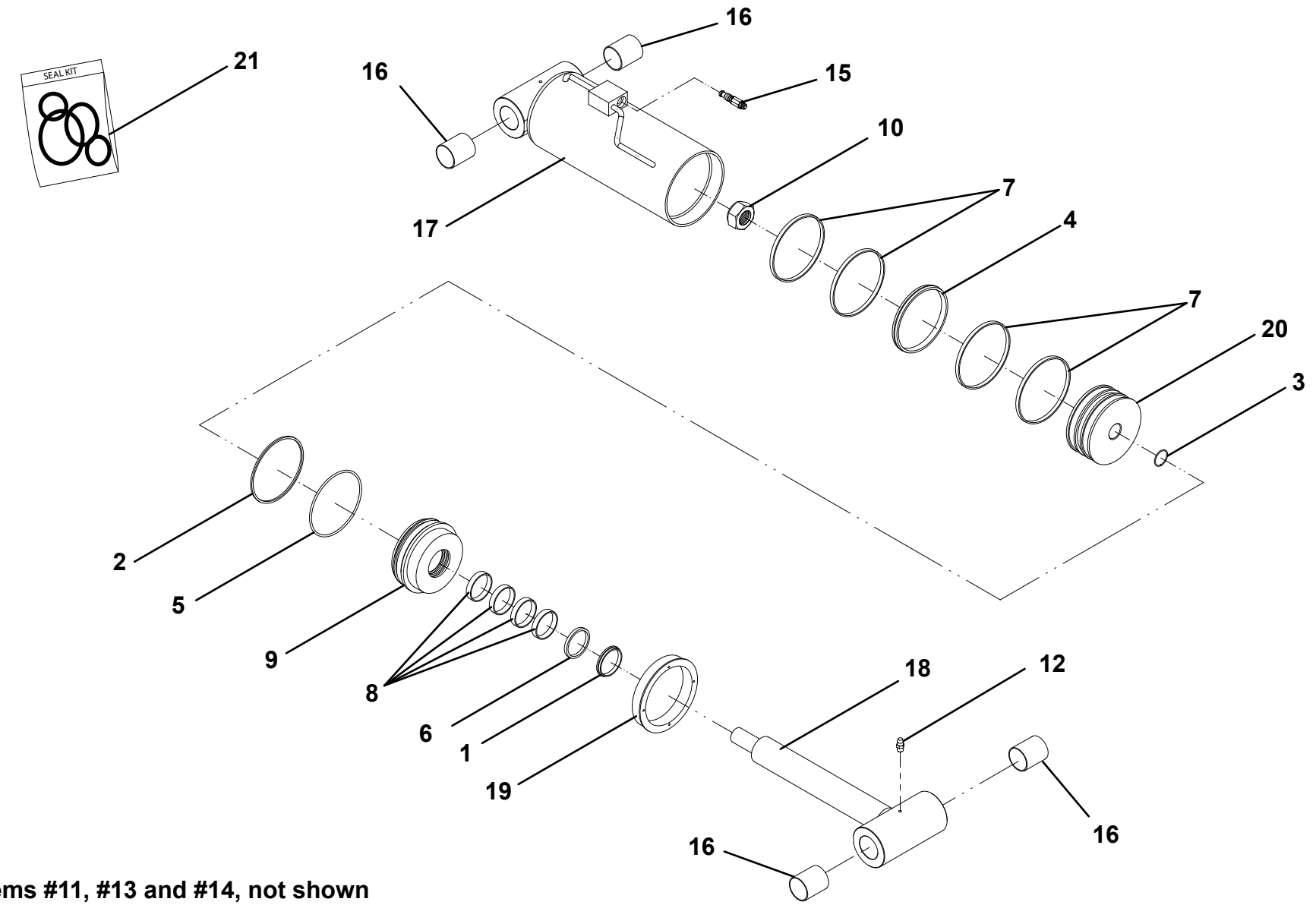
UNDERLIFT BOOM INSTALLATION - 53,000/56,500 LB



UNDERLIFT LIFT CYLINDER ASSEMBLY - 732000063

ITEM	PART NO.	DESCRIPTION	QTY
1	9796250083	Seal, Wiper	1
2	9754250011	Ring, Back-up	1
3	9796250062	Seal, "O" Ring	1
4	70050544	Seal	1
5	7796250068	Seal, "O" Ring	1
6	70050545	Seal	1
7	9754250017	Ring, Wear	4
8	80004049	Ring, Wear	4
9	70050549	Head	1
10	7005314	Locknut	1
11	70021757	Setscrew	1
12	7005348	Grease Fitting	2
13	7005365	Plug, Port	1
14	70021648	Plug, Port	2
15	70050215	Valve, Counterbalance	1
16	70050232	Bushing	4
17	70050546	Assembly, Tube	1
18	70050547	Assembly, Rod	1
19	9254250007	Headcap	1
20	70050548	Piston	1
21	7577000320	Kit, Seal	1

UNDERLIFT LIFT CYLINDER ASSEMBLY - 732000063

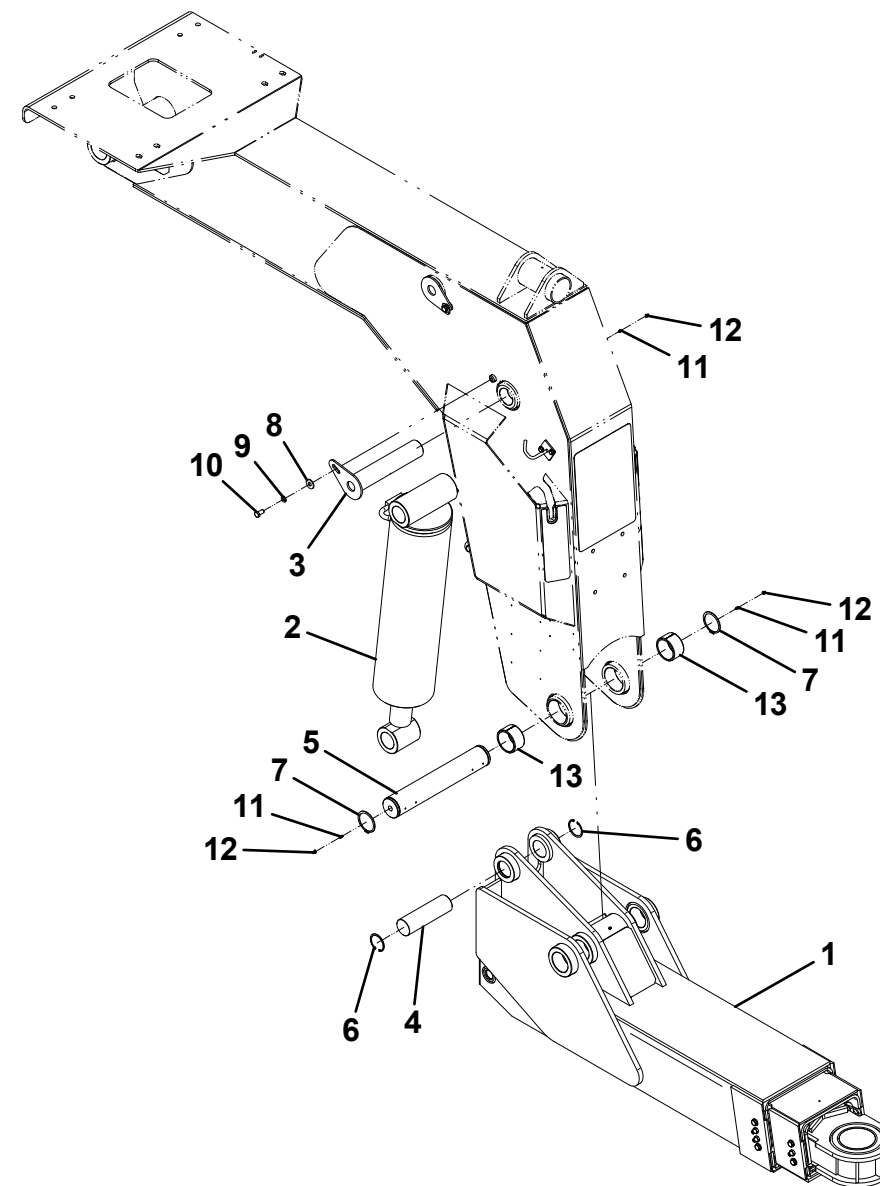


Items #11, #13 and #14, not shown

UNDERLIFT INSTALLATION - 30,000/35,000 LB

ITEM	PART NO.	DESCRIPTION	QTY
1	317000433	Underlift Boom Assembly - 30,000 LB	1
	317000220	Underlift Boom Assembly - 35,000 LB	
2	732000039	Underlift Tilt Cylinder Assembly	1
3	3691000160	Pin	1
4	4691000317	Pin	1
5	4691000311	Pin	1
6	7754000051	Retaining Ring	2
7	7754000018	Retaining Ring	2
8	7950180161	Flatwasher, 0.50" ID	1
9	7950180000	Lockwasher, 0.50" ID	1
10	7115180850	Capscrew, 0.50"-13NC x 1.00"	1
11	7440030000	Grease Fitting	2
12	7253000002	Cap, Grease Fitting	2
13	7209000029	Bushing	2

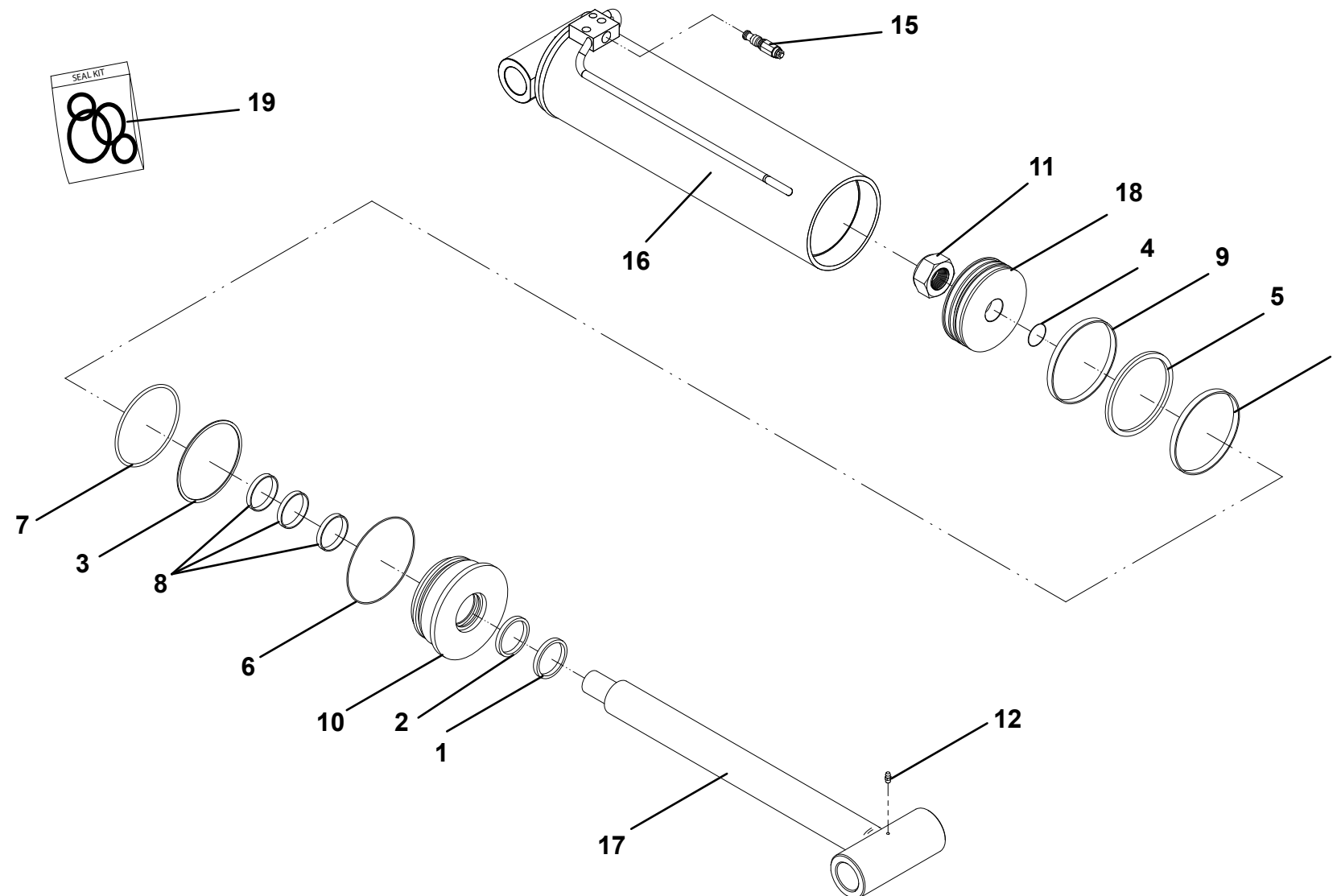
UNDERLIFT INSTALLATION - 30,000/35,000 LB



UNDERLIFT TILT CYLINDER ASSEMBLY - 732000039

ITEM	PART NO.	DESCRIPTION	QTY
1	83304143	Seal, Wiper	1
2	9796250071	Seal	1
3	9754250043	Ring, Back-up	1
4	9796250062	Seal, "O" Ring	1
5	9796250113	Seal	1
6	9796250124	Seal, "O" Ring	1
7	9796250117	Seal, "O" Ring	1
8	83304140	Ring, Wear	3
9	9754250045	Ring, Wear	2
10	7019892	Head	1
11	7005314	Locknut	1
12	7005348	Grease Fitting	1
13	7005365	Plug, Port	3
14	70021648	Plug, Port	2
15	70050216	Valve, Counterbalance	1
16	70050542	Assembly, Tube	1
17	70050543	Assembly, Rod	1
18	9698250014	Piston	1
19	7577250204	Kit, Seal	1

UNDERLIFT TILT CYLINDER ASSEMBLY - 732000039

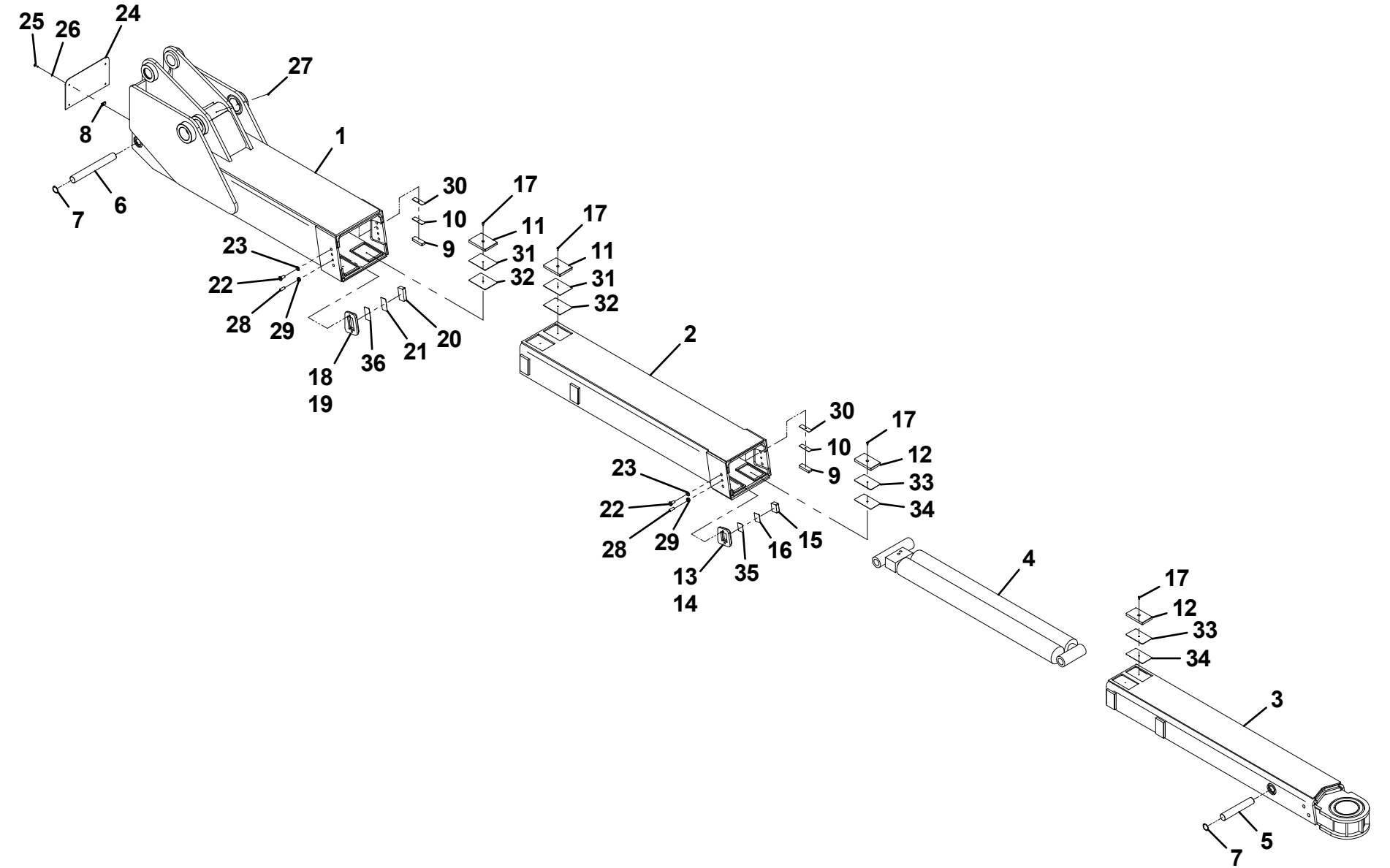


Items #13 and #14, not shown

UNDERLIFT ASSEMBLY - 3170000433 - 30,000 LB

ITEM	PART NO.	DESCRIPTION	QTY
1	3170000432	Base Section Boom Weldment	1
2	3170000431	Mid Section Boom Weldment	1
3	3170000430	Fly Section Boom Weldment	1
4	7320000076	Underlift Extension Cylinder Assembly	1
5	4691000318	Pin	1
6	4691000316	Pin	1
7	7754000043	Retaining Ring	4
8	7661000019	U-Nut, 0.25"-20NC	4
9	4679000159	Pad	2
10	4706003708	Plate	2
11	4679000161	Pad	4
12	4679000158	Pad	4
13	3706000177	Plate	1
14	3706000178	Plate	1
15	4679000206	Pad	2
16	4706003144	Plate	2
17	7114140418	Capscrew, 0.25"-20NC x 0.50"	8
18	3706000179	Plate - LH	1
19	3706000180	Plate - RH	1
20	4679000205	Pad	2
21	4706003719	Plate	2
22	7105180850	Capscrew, 0.50"-20NF x 1.00"	8
23	7950180153	Flatwasher, 0.50" ID	8
24	4706002467	Plate	1
25	7115140650	Capscrew, 0.25"-20NC x 0.75"	4
26	7950140000	Lockwasher, 0.25" ID	4
27	7440030000	Grease Fitting	1
28	7786000008	Screw, 0.50"-20NF x 1.25"	6
29	7660180230	Nut, 0.50"-20NF	6
30	4706003709	Plate	4
31	4706003721	Plate	4
32	4706003722	Plate	4
33	4706003723	Plate	4
34	4706003724	Plate	4
35	4706003725	Plate	2
36	4706003720	Plate	2

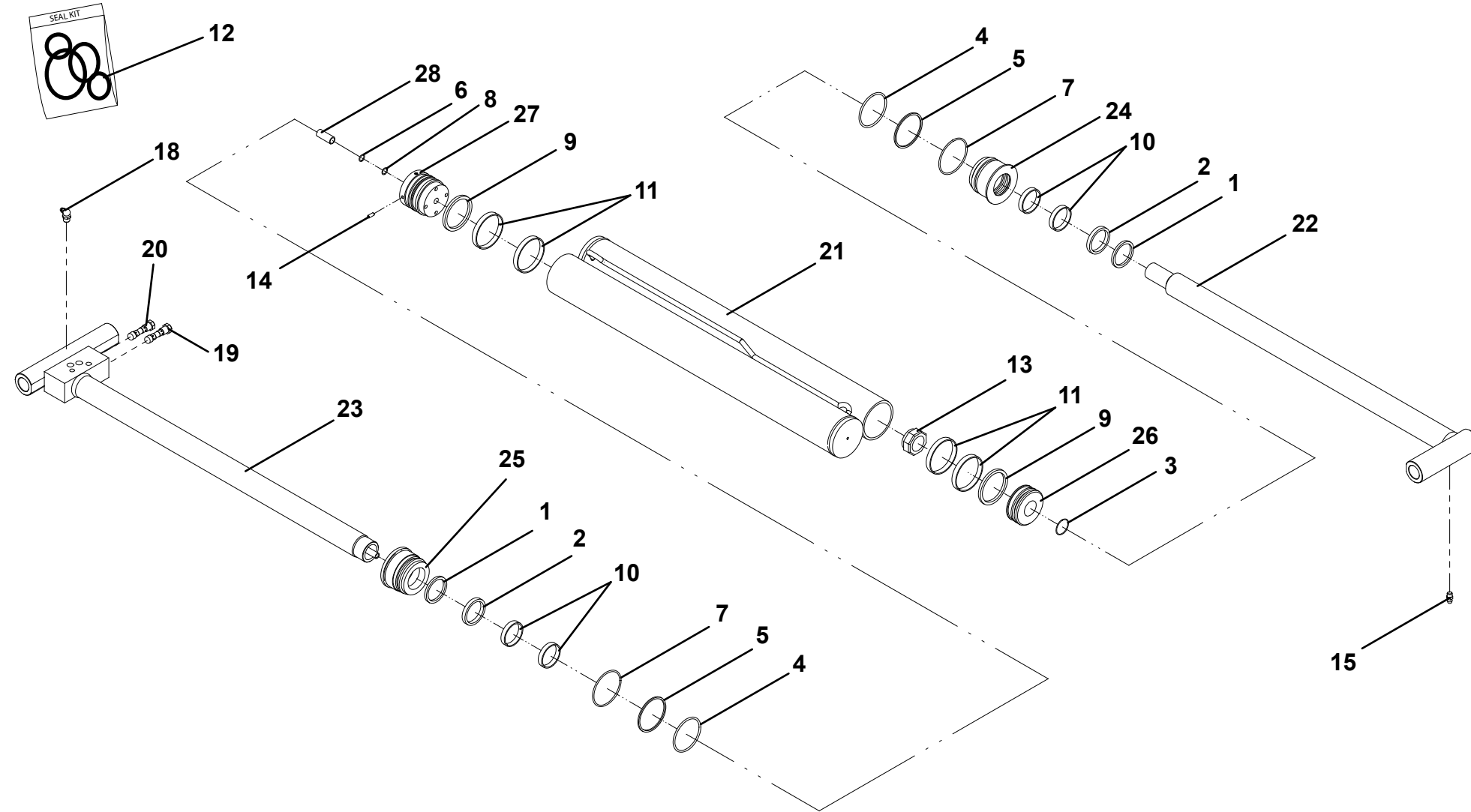
UNDERLIFT ASSEMBLY - 3170000433 - 30,000 LB



UNDERLIFT EXTENSION CYLINDER ASSEMBLY - 7320000076

ITEM	PART NO.	DESCRIPTION	QTY
1	9796250080	Seal, Wiper	2
2	7019828	Seal	2
3	9796250133	Seal, "O" Ring	1
4	7019846	Seal, "O" Ring	2
5	7019845	Ring, Back-up	2
6	9796250135	Seal, "O" Ring	1
7	7019844	Seal, "O" Ring	2
8	9796250137	Seal, "O" Ring	2
9	9796250138	Seal	2
10	9754250015	Ring, Wear	4
11	9754250049	Ring, Wear	4
12	7577250271	Kit, Seal	1
13	7003212	Locknut	1
14	7003281	Setscrew	4
15	7005348	Grease Fitting	1
16	7005365	Plug, Port	5
17	70021648	Plug, Port	2
18	7440030400	Grease Fitting	1
19	70050218	Valve, Cartridge	1
20	70050217	Valve, Counterbalance	1
21	70050553	Assembly, Tube	1
22	70050554	Assembly, Rod	1
23	70050555	Assembly, Rod-Tube	1
24	9553250015	Head	1
25	9254250009	Head	1
26	9698250018	Piston	1
27	9698250019	Piston	1
28	9007250005	Adapter, RT Tube	1

UNDERLIFT EXTENSION CYLINDER ASSEMBLY - 7320000076

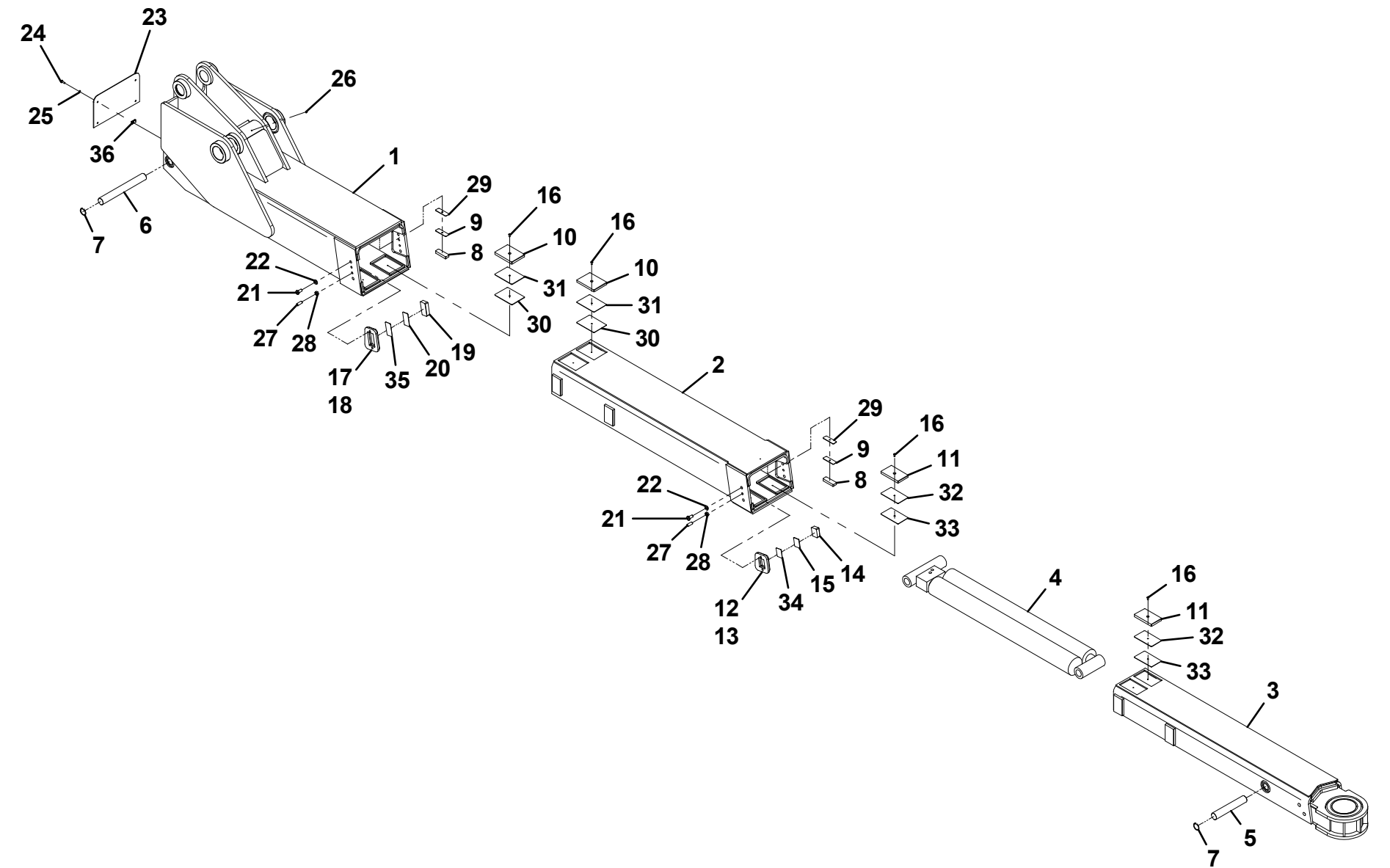


Items #16 and #17, not shown

UNDERLIFT ASSEMBLY - 3170000220 - 35,000 LB

ITEM	PART NO.	DESCRIPTION	QTY
1	3170000224	Base Section Boom Weldment	1
2	3170000223	Mid Section Boom Weldment	1
3	3170000221	Fly Section Boom Weldment	1
4	7320000042	Underlift Extension Cylinder Assembly	1
5	4691000318	Pin	1
6	4691000316	Pin	1
7	7754000043	Retaining Ring	4
8	4679000159	Pad	2
9	4706003708	Plate	2
10	4679000161	Pad	4
11	4679000158	Pad	4
12	3706000177	Plate	1
13	3706000178	Plate	1
14	4679000206	Pad	2
15	4706003144	Plate	2
16	7114140418	Capscrew, 0.25"-20NC x 0.50"	8
17	3706000179	Plate - LH	1
18	3706000180	Plate - RH	1
19	4679000205	Pad	2
20	4706003719	Plate	2
21	7105180850	Capscrew, 0.50"-20NF x 1.00"	8
22	7950170153	Flatwasher, 0.50" ID	8
23	4706002467	Plate	1
24	7115140650	Capscrew, 0.25"-20NC x 0.75"	4
25	7950140000	Lockwasher, 0.25" ID	4
26	7440030000	Grease Fitting	1
27	7786000008	Screw, 0.50"-20NF x 1.25"	6
28	7660180230	Nut, 0.50"-20NF	6
29	4706003709	Plate	4
30	4706003721	Plate	4
31	4706003722	Plate	4
32	4706003723	Plate	4
33	4706003724	Plate	4
34	4706003725	Plate	2
35	4706003720	Plate	2
36	7661000019	U-Nut, 0.25"-20NC	4

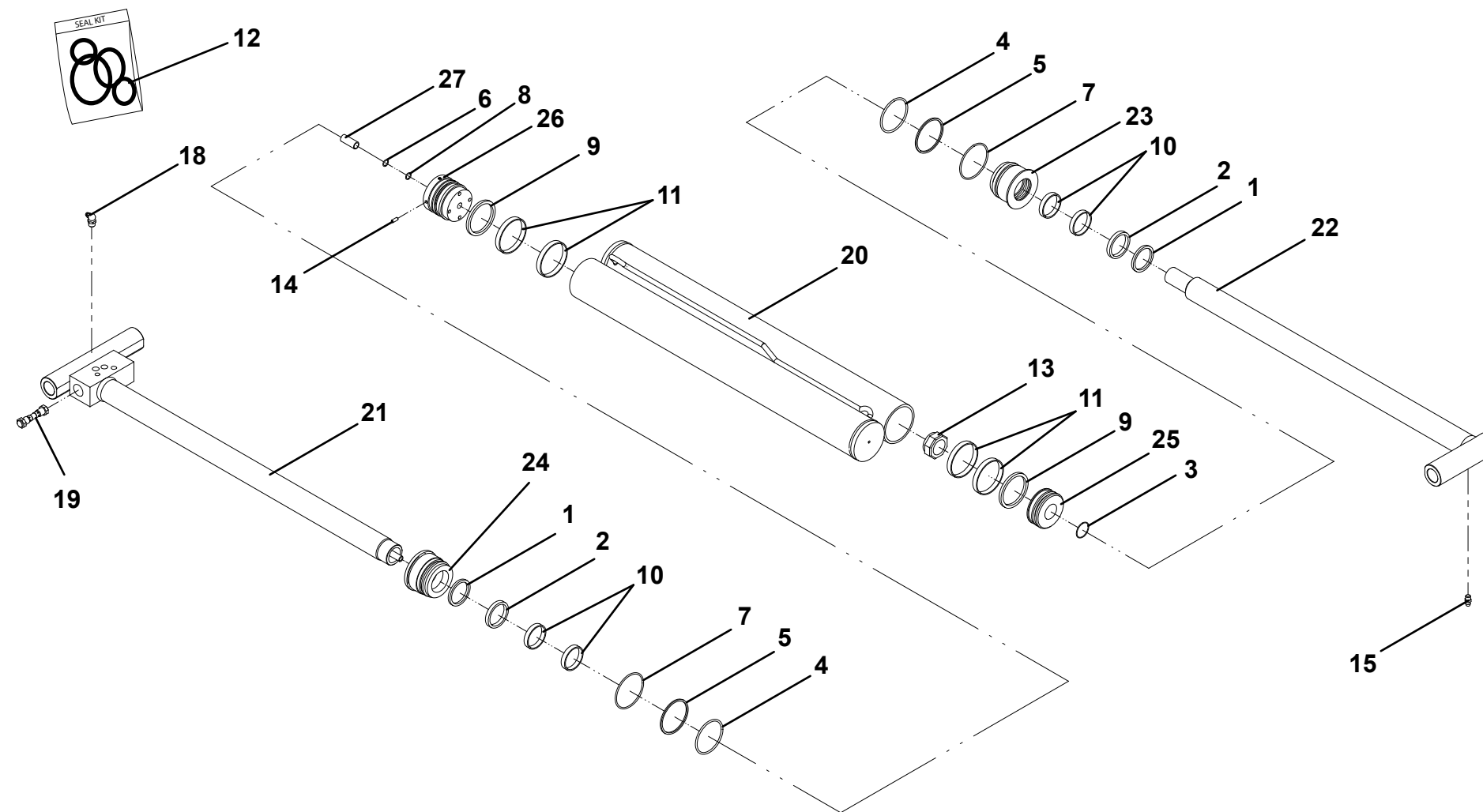
UNDERLIFT ASSEMBLY - 3170000220 - 35,000 LB



UNDERLIFT EXTENSION CYLINDER ASSEMBLY - 732000042

ITEM	PART NO.	DESCRIPTION	QTY
1	9796250080	Seal, Wiper	2
2	7019828	Seal	2
3	9796250133	Seal, "O" Ring	1
4	7019846	Seal, "O" Ring	2
5	7019845	Ring, Back-up	2
6	9796250135	Seal, "O" Ring	2
7	7019844	Seal, "O" Ring	2
8	9796250137	Seal, "O" Ring	2
9	9796250138	Seal	2
10	9754250015	Ring, Wear	4
11	9754250049	Ring, Wear	4
12	7577250271	Kit, Seal	1
13	7003212	Locknut	1
14	7003281	Setscrew	4
15	7005348	Grease Fitting	1
16	70050365	Plug, Port	2
17	70021648	Plug, Port	2
18	7440030400	Grease Fitting	1
19	9935250025	Kit, Check Cartridge	1
20	9912250021	Assembly, Tube	1
21	9763250025	Assembly, Rod	1
22	9763250026	Assembly, Rod-Tube	1
23	9553250015	Head	1
24	9553250016	Head	1
25	9698250018	Piston	1
26	9698250019	Piston	1
27	9007250005	Adapter, RT Tube	1

UNDERLIFT EXTENSION CYLINDER ASSEMBLY - 732000042

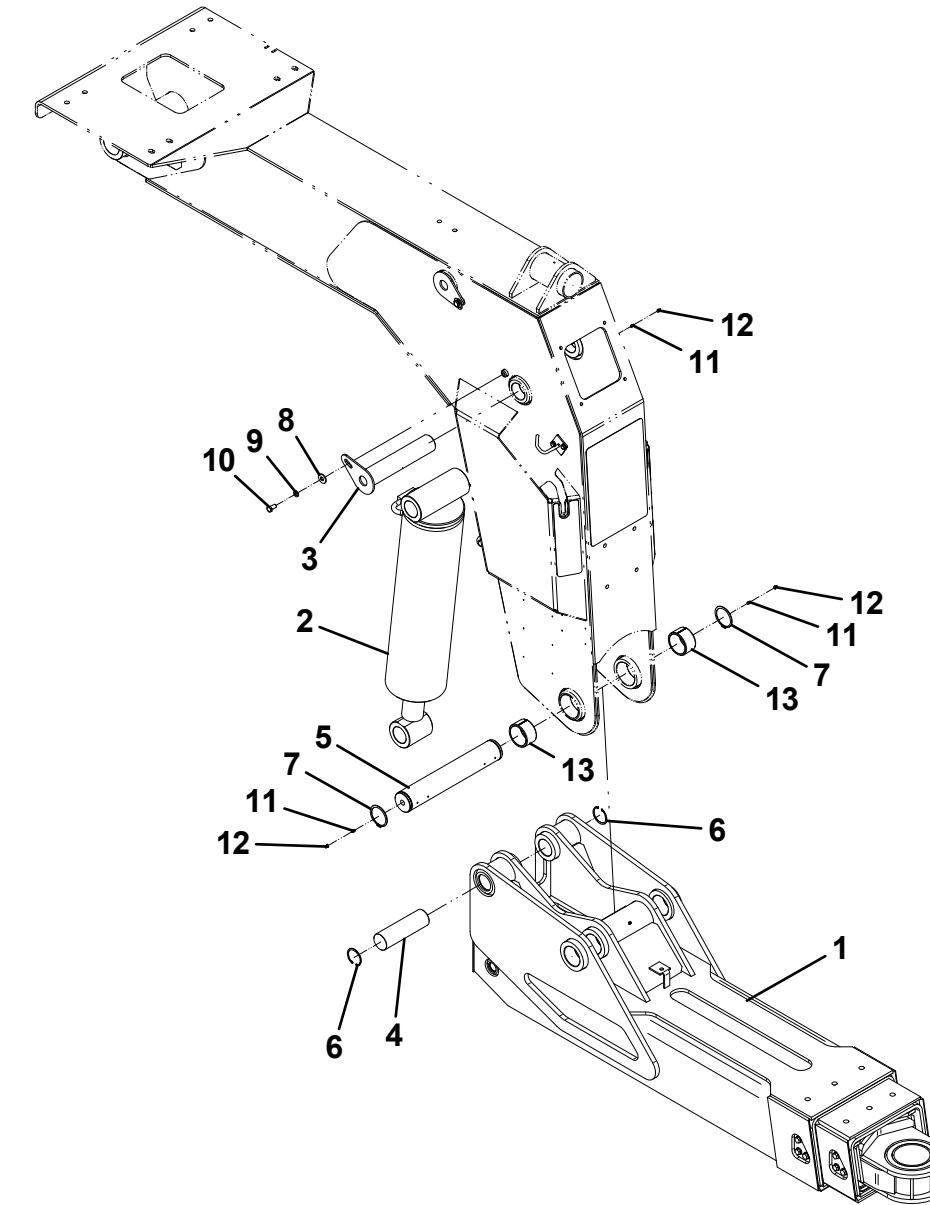


Items #16 and #17, not shown

UNDERLIFT INSTALLATION - 53,000/56,500 LB

ITEM	PART NO.	DESCRIPTION	QTY
1	3507100001	Underlift Boom Assembly - 53,000 LB	1
	3170000407	Underlift Boom Assembly - 56,500 LB	
2	7320000096	Underlift Tilt Cylinder Assembly	1
3	3691000232	Pin	1
4	4691000290	Pin	1
5	4691000291	Pin	1
6	7754000051	Retaining Ring	2
7	7754000018	Retaining Ring	2
8	7950220141	Flatwasher, 0.75" ID	1
9	7950000000	Lockwasher, 0.75" ID	1
10	7115220850	Capscrew, 0.75"-10NC x 1.00"	1
11	7440030000	Grease Fitting	2
12	7253000002	Cap, Grease Fitting	2
13	7209000029	Bushing	2

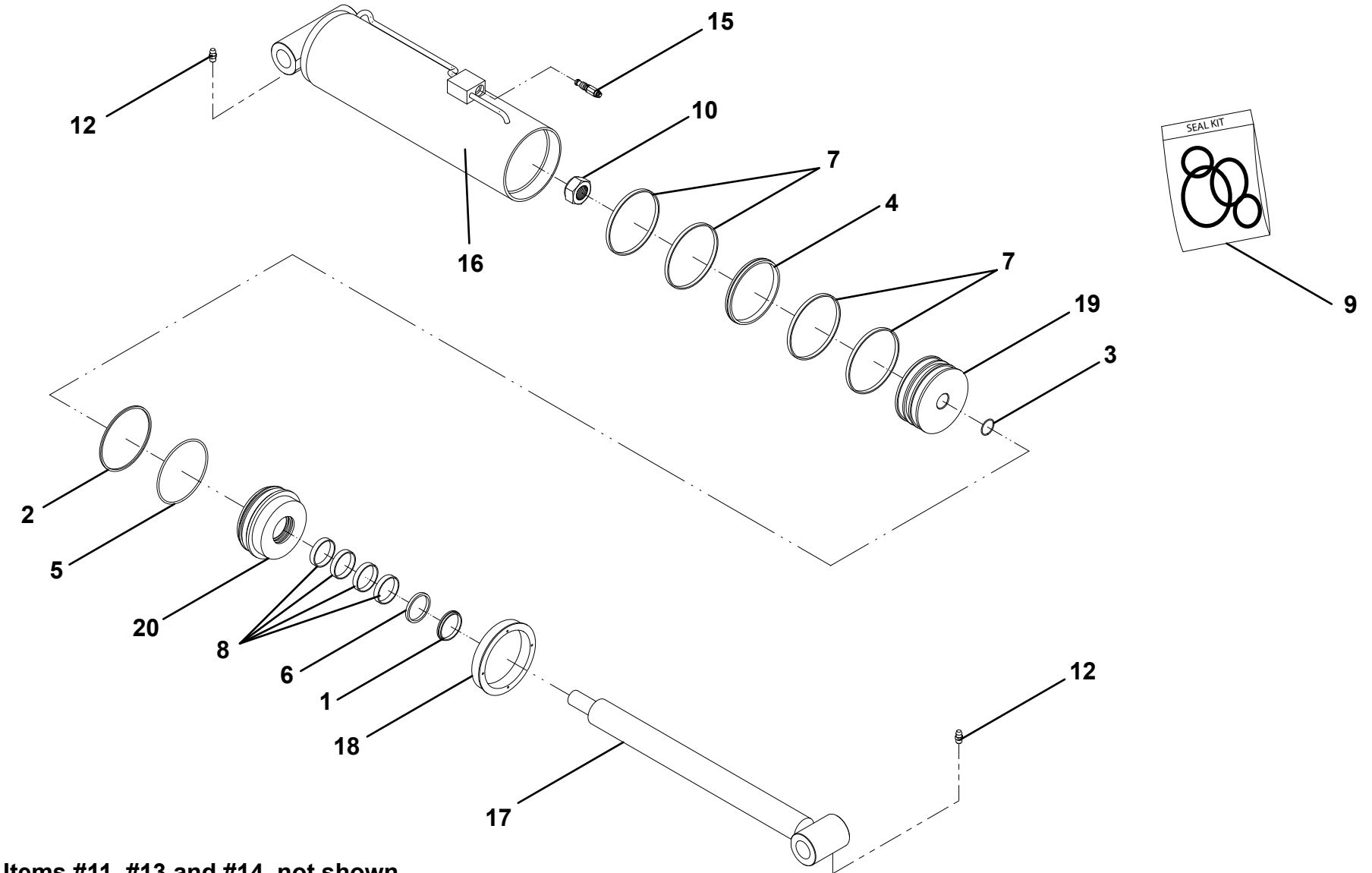
UNDERLIFT INSTALLATION - 53,000/56,500 LB



UNDERLIFT TILT CYLINDER ASSEMBLY - 732000096

ITEM	PART NO.	DESCRIPTION	QTY
1	9796250083	Seal, Wiper	1
2	9754250011	Ring, Back-up	1
3	9796250062	Seal, "O" Ring	1
4	70050544	Seal	1
5	9796250068	Seal, "O" Ring	1
6	70050545	Seal	1
7	9754250017	Ring, Wear	4
8	80004049	Ring, Wear	4
9	7577000063	Kit, Seal	1
10	7005314	Locknut	1
11	70021757	Setscrew	1
12	7005348	Grease Fitting	2
13	70021648	Plug, Port	2
14	7005365	Plug, Port	1
15	70050215	Valve, Counterbalance	1
16	70050594	Assembly, Tube	1
17	70050595	Assembly, Rod	1
18	9254250007	Headcap	1
19	70050548	Piston	1
20	70050549	Head	1

UNDERLIFT TILT CYLINDER ASSEMBLY - 732000096

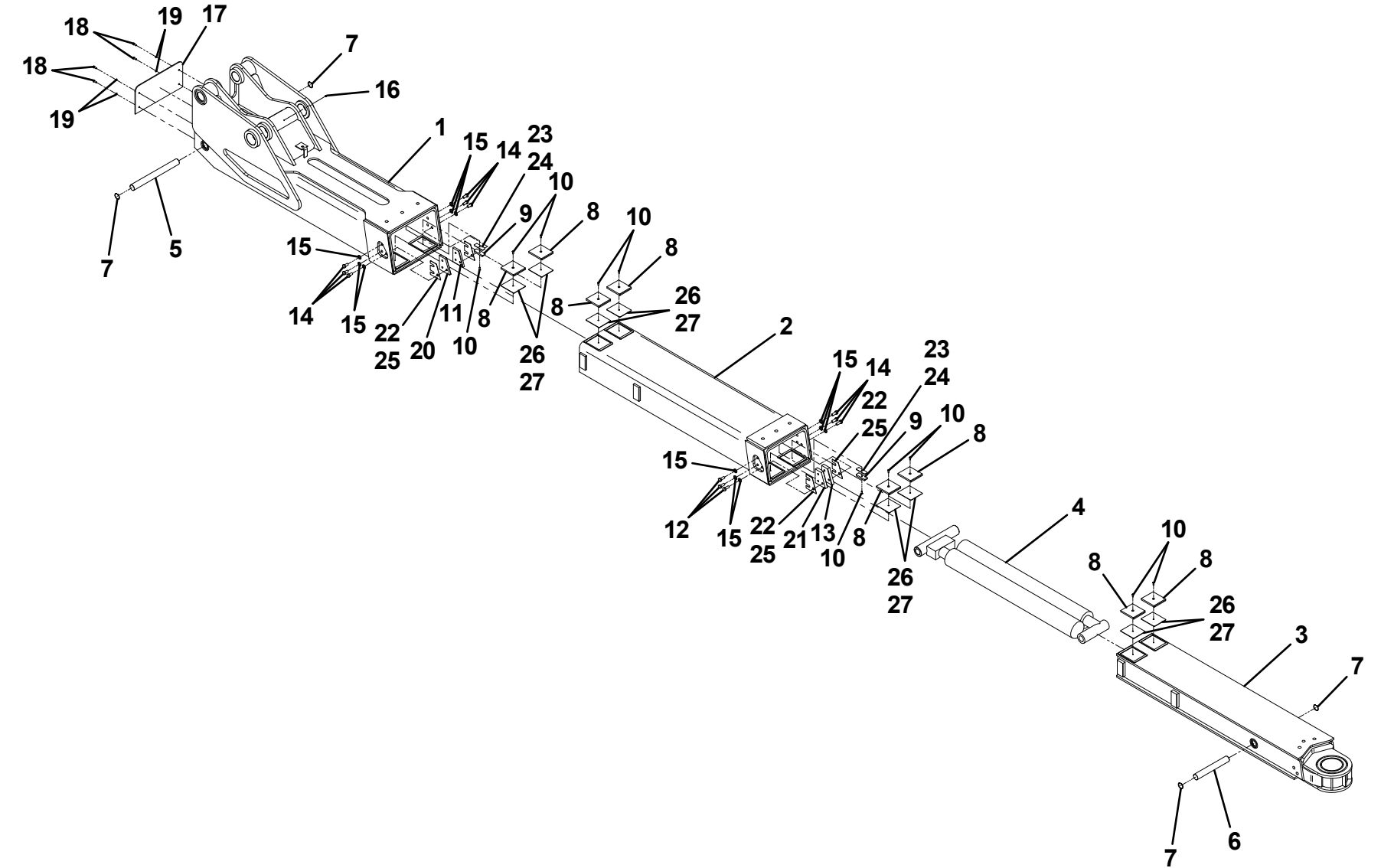


Items #11, #13 and #14, not shown

UNDERLIFT ASSEMBLY - 3507100001 - 53,000 LB

ITEM	PART NO.	DESCRIPTION	QTY
1	3170000125	Base Section Boom Weldment	1
2	3170000124	Mid Section Boom Weldment	1
3	3170000123	Fly Section Boom Weldment	1
4	7320000026	Underlift Extension Cylinder Assembly	1
5	4691000292	Pin	1
6	4691000293	Pin	1
7	7754000043	Retaining Ring	4
8	4679000146	Pad	8
9	4679000147	Pad	2
10	7114140518	Capscrew, 0.25"-20NC x 0.63"	10
11	4706002209	Plate	1
12	7108181050	Capscrew, 0.50"-20NF x 1.25"	6
13	4706002208	Plate	1
14	7108180850	Capscrew, 0.50"-20NF x 1.00"	6
15	7950180153	Flatwasher, 0.50" ID	12
16	7440030000	Grease Fitting	1
17	4706002207	Plate	1
18	7115140650	Plate	4
19	7950140000	Lockwasher, 0.25" ID	4
20	4706002211	Plate	1
21	4706002210	Plate	1
22	4812000057	Shim, 14GA	2
23	4706003708	Plate	2
24	4706003709	Plate	2
25	4706003710	Plate	4
26	4706003717	Plate	8
27	4706003718	Plate	8

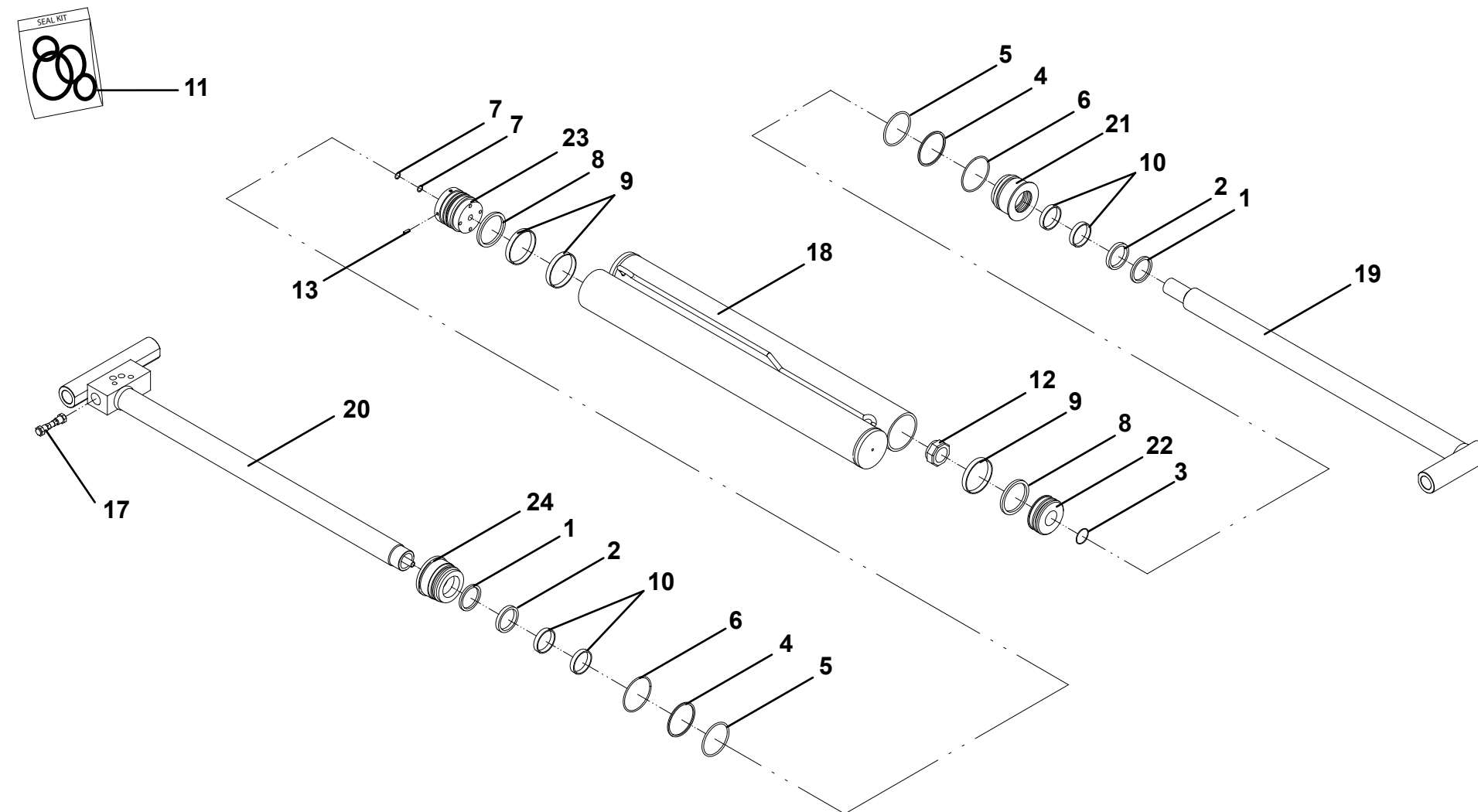
UNDERLIFT ASSEMBLY - 3507100001 - 53,000 LB



UNDERLIFT EXTENSION CYLINDER ASSEMBLY - 732000026

ITEM	PART NO.	DESCRIPTION	QTY
1	9796250081	Seal, Wiper	2
2	7019829	Seal	2
3	7023518	Seal, "O" Ring	1
4	9754250009	Ring, Back-up	2
5	9796250057	Seal, "O" Ring	2
6	9796250058	Seal, "O" Ring	2
7	70050534	Seal, "O" Ring	2
8	9796250073	Seal	2
9	9754250014	Ring, Wear	3
10	70050568	Ring, Wear	4
11	7577250334	Kit, Seal	1
12	7003116	Locknut	1
13	70050535	Setscrew	4
14	7005348	Grease Fitting	2
15	7005365	Plug, Port	2
16	70021648	Plug, Port	2
17	9935250025	Kit, Check Cartridge	1
18	70050536	Assembly, Tube	1
19	70050537	Assembly, Rod	1
20	70050538	Assembly, Rod-Tube	1
21	9553250010	Head	1
22	7024101	Piston	1
23	70050540	Piston	1
24	70050541	Head	1

UNDERLIFT EXTENSION CYLINDER ASSEMBLY - 732000026

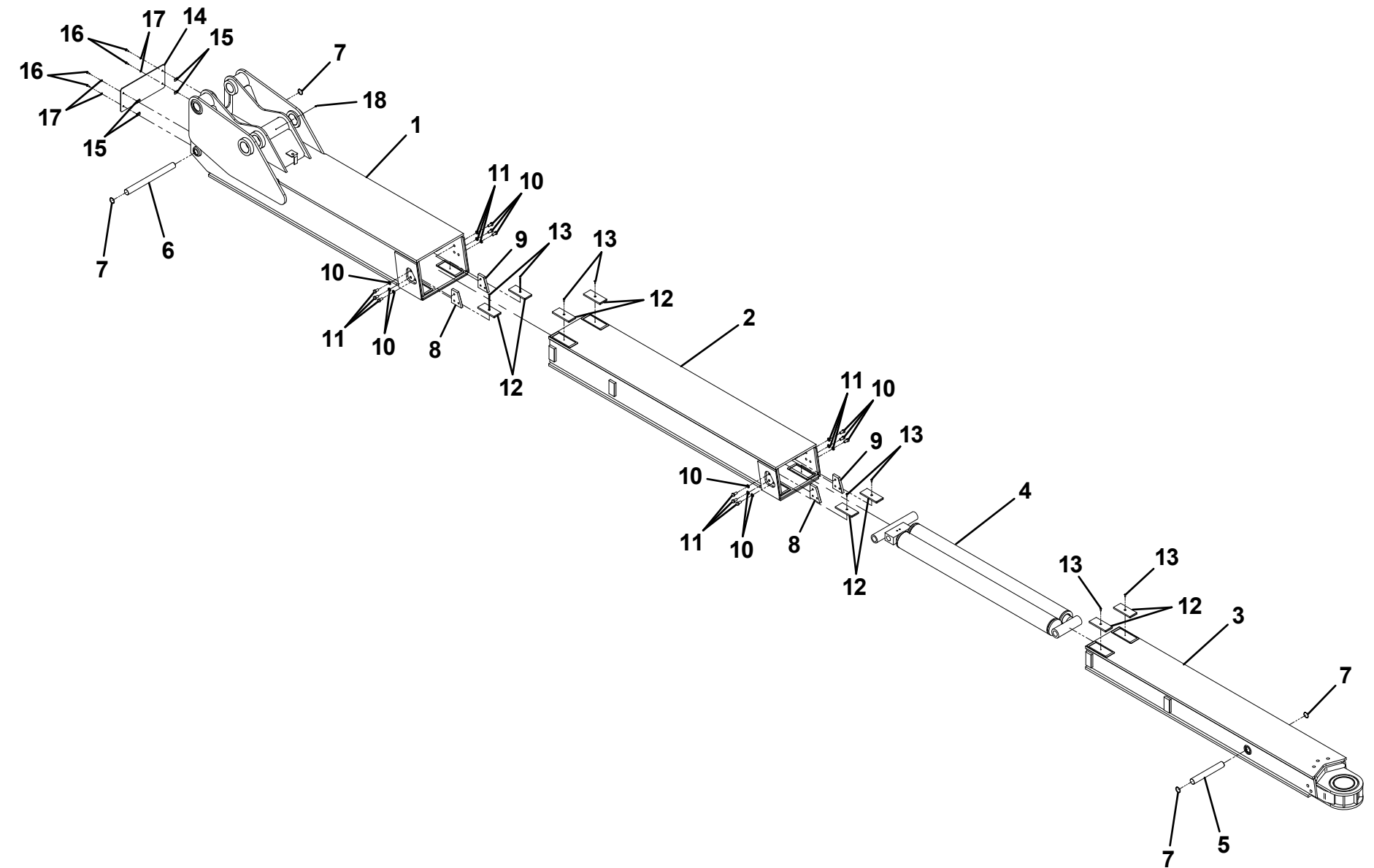


Items #14, #15 and #16, not shown

UNDERLIFT ASSEMBLY - 3170000407 - 56,500 LB

ITEM	PART NO.	DESCRIPTION	QTY
1	3170000400	Base Section Boom Weldment	1
2	3170000401	Mid Section Boom Weldment	1
3	3170000406	Fly Section Boom Weldment	1
4	7320000068	Underlift Extension Cylinder Assembly	1
5	4691000293	Pin	1
6	4691000321	Pin	1
7	7754000043	Retaining Ring	4
8	4706005262	Plate	2
9	4706005263	Plate	2
10	7108180850	Capscrew, 0.50"-20NF x 1.00"	12
11	7950180000	Lockwasher, 0.50" ID	12
12	4679000277	Pad, 0.38" Thk	8
	4679000293	Pad, 0.25" Thk	
13	7114140518	Capscrew, 0.25"-20NC x 0.63"	8
14	4706005281	Plate	1
15	7661000019	U-Nut, 0.25"-20NC	4
16	7115140650	Capscrew, 0.25"-20NC x 0.75"	4
17	7950140000	Lockwasher, 0.25" ID	4
18	7440030000	Grease Fitting	1

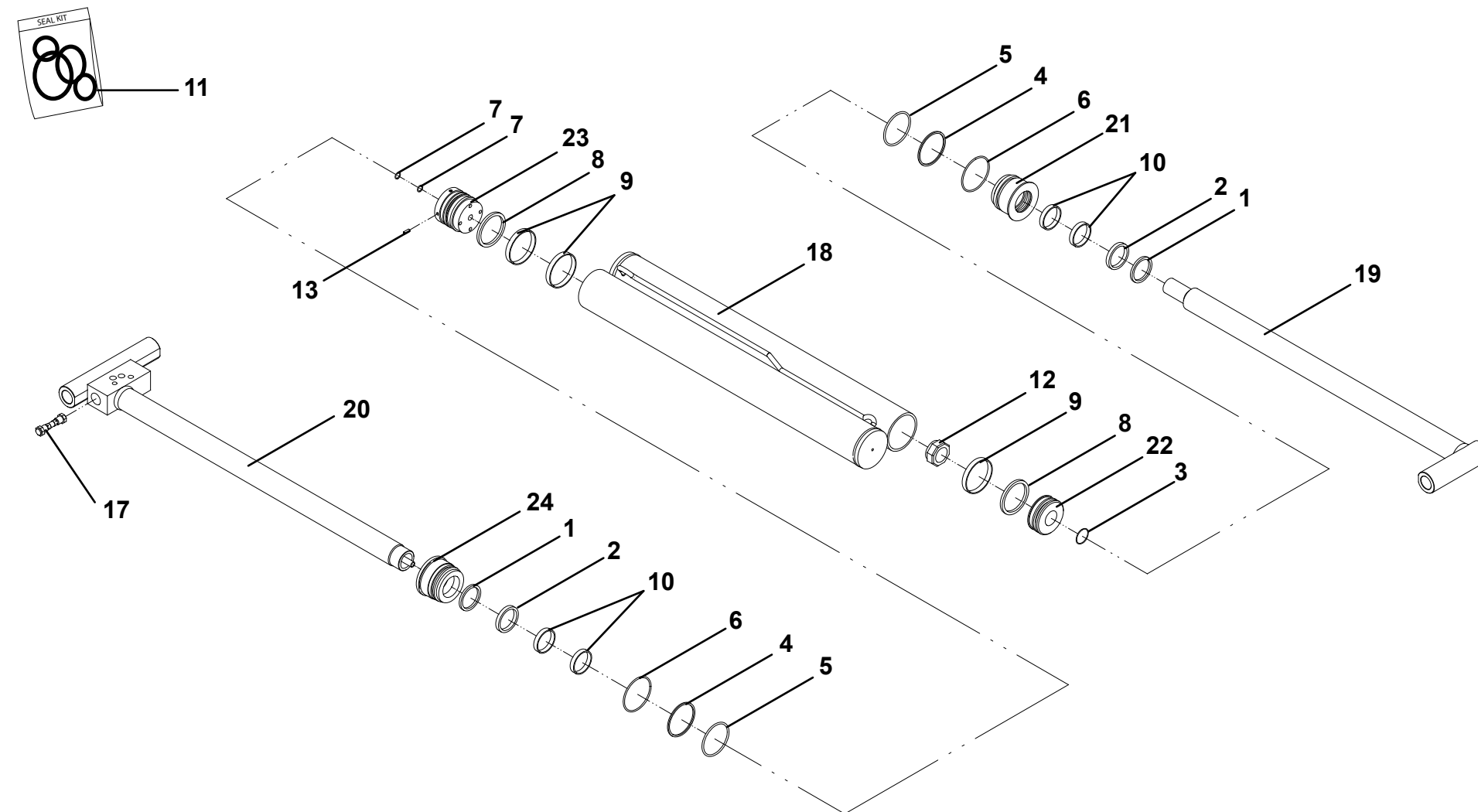
UNDERLIFT ASSEMBLY - 3170000407 - 56,500 LB



UNDERLIFT EXTENSION CYLINDER ASSEMBLY - 732000068

ITEM	PART NO.	DESCRIPTION	QTY
1	9796250081	Seal, Wiper	2
2	7019829	Seal	2
3	7023518	Seal, "O" Ring	1
4	9754250009	Ring, Back-up	2
5	9796250057	Seal, "O" Ring	2
6	9796250058	Seal, "O" Ring	2
7	70050534	Seal, "O" Ring	2
8	9796250073	Seal	2
9	9754250014	Ring, Wear	3
10	80004056	Ring, Wear	4
11	7577250334	Kit, Seal	1
12	7003116	Locknut	1
13	70050535	Setscrew	4
14	7005348	Grease Fitting	2
15	7005365	Plug, Port	2
16	70021648	Plug, Port	2
17	9935250025	Kit, Check Cartridge	1
18	70050550	Assembly, Tube	1
19	70050551	Assembly, Rod	1
20	70050552	Assembly, Rod-Tube	1
21	9553250010	Head	1
22	7024101	Piston	1
23	70050540	Piston	1
24	70050541	Head	1

UNDERLIFT EXTENSION CYLINDER ASSEMBLY - 732000068



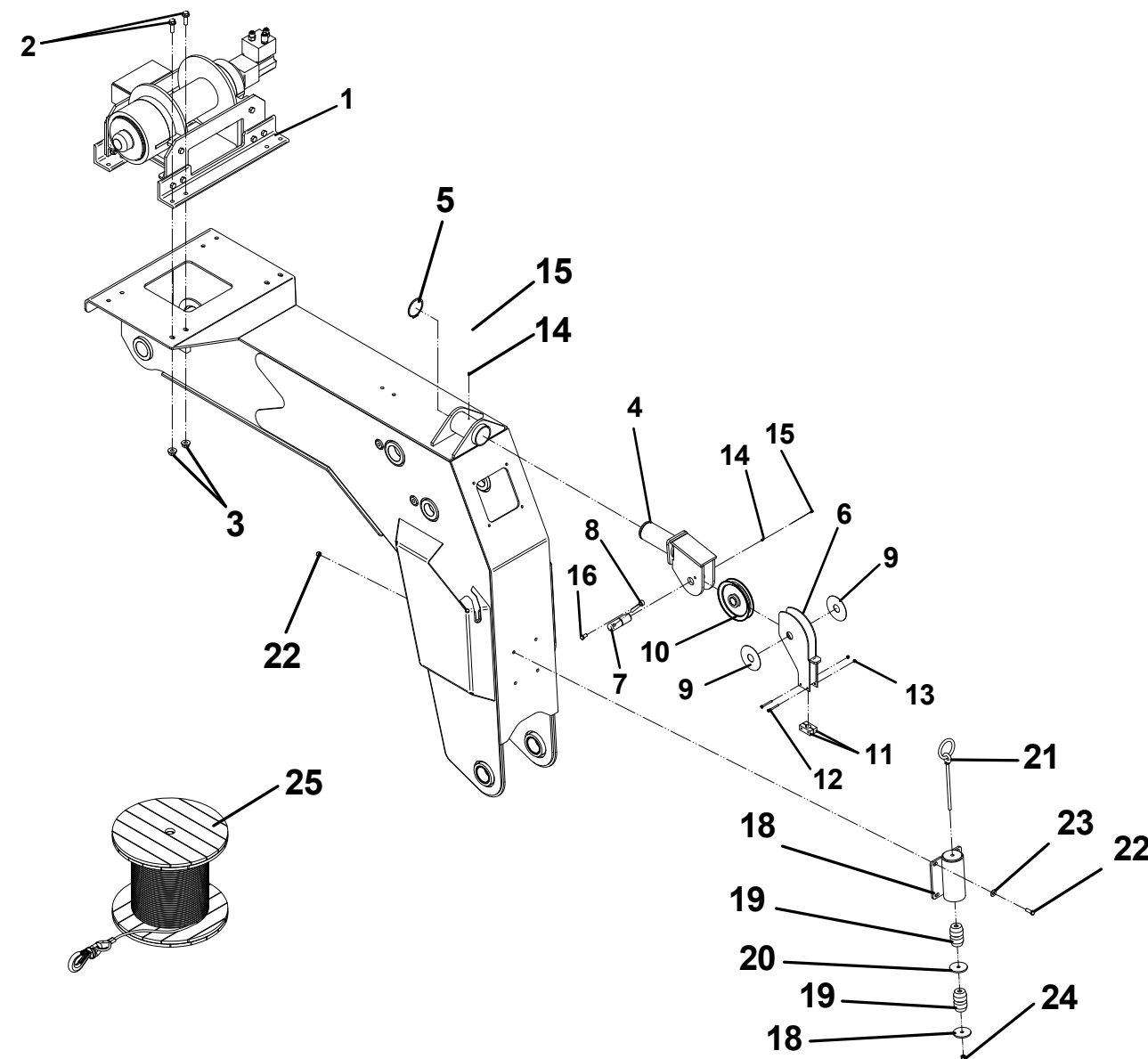
Items #14, #15 and #16, not shown

DRAG WINCH INSTALLATION

ITEM	PART NO.	DESCRIPTION	QTY
1	797000069	Winch - DP35	1
2	7118201616	Capscrew, 0.63"-11NC x 2.00"	8
3	7661000018	Nut, 0.63"-11NC	8
4	1001169617	Sheave Support	1
5	7754000049	Retaining Ring	1
6	3249000012	Cable Guide Weldment	1
7	1001169893	Pin	1
8	3841203	Rod, Keeper	1
9	4949000045	Washer, 5.00" OD x 1.53" ID	2
10	7809000006	Sheave	1
11	4249000002	Cable Guide	2
12	7115142050	Capscrew, 0.25"-20NC x 2.50"	2
13	7660142604	Locknut, 0.25"-20NC	2
14	7440030000	Grease Fitting	2
15	7253000002	Grease Fitting Cap	2
16	7115180850	Capscrew .520"-13NC X 1.00" Hex Head	1
17	0100011	Thread Locker 0.25-0.75 Fasteners	A/R
18	3912000034*	Tie Back Tube	1
19	7189000014*	Spring	2
20	4831000115*	Spacer	2
21	7120000053*	Ring Bolt, 0.50"-13NC x 10.00"	1
22	7115181250*	Capscrew, 0.50"-13NC x 1.50"	4
23	7950180150*	Flatwasher, 0.50" ID	4
24	7660182601*	Locknut, 0.50"-13NC	5
25	7248000148	Wire Rope - Galv	250ft
	1001136470	Wire Rope	250ft

* Item Sold as Complete Assembly - 3249000038

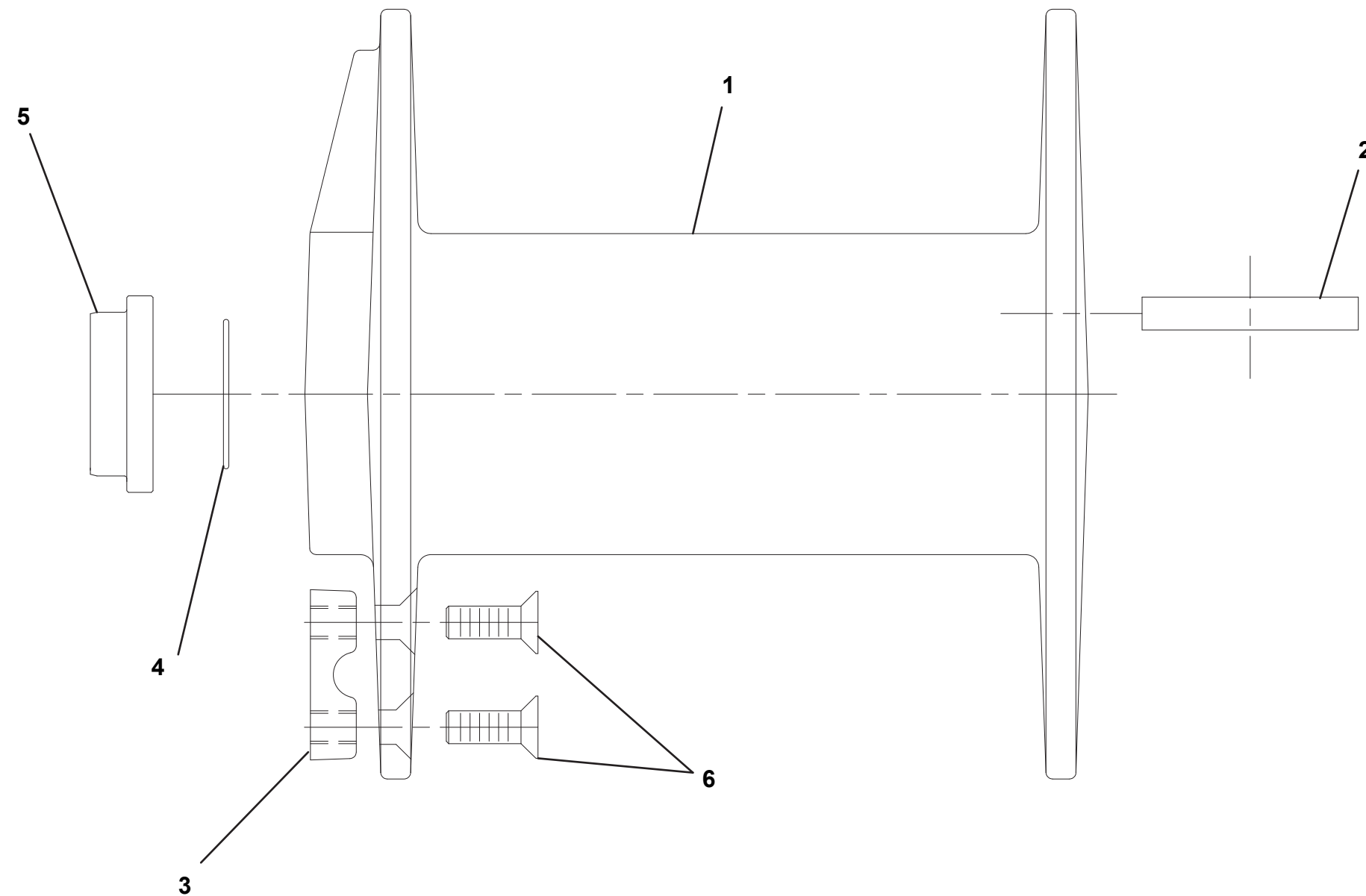
DRAG WINCH INSTALLATION



DP WINCH 35K - CABLE WINCH DRUM INSTALLATION

ITEM	PART NO.	DESCRIPTION	QTY
1	9970960020	Drum	1
2	9575960012	Key, Drum	2
3	9280960002	Clip	1
4	9796960089	O-Ring, 2.50" ID	1
5	9831960018	Spacer	1
6	7110201423	Capscrew, 0.63"-11NC x 1.75"	2

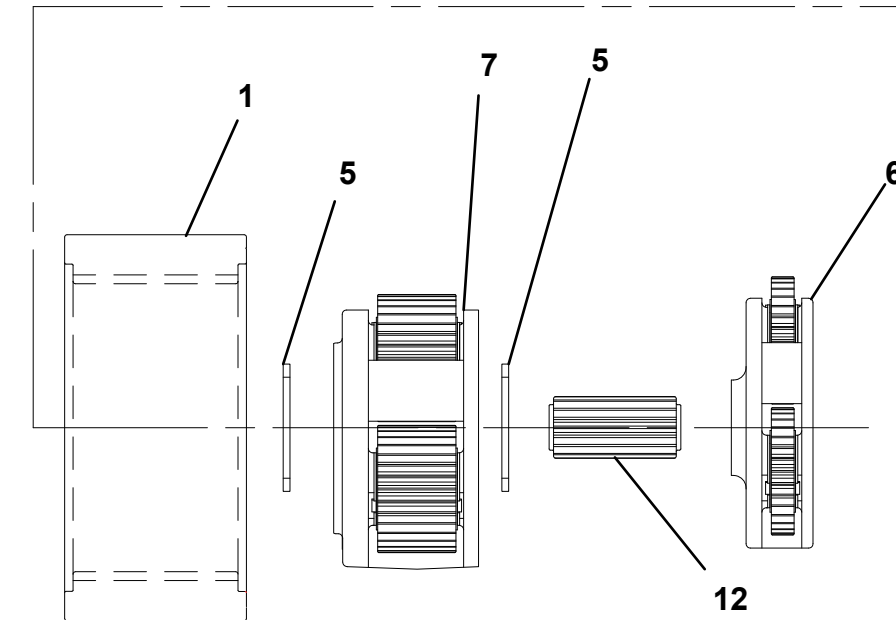
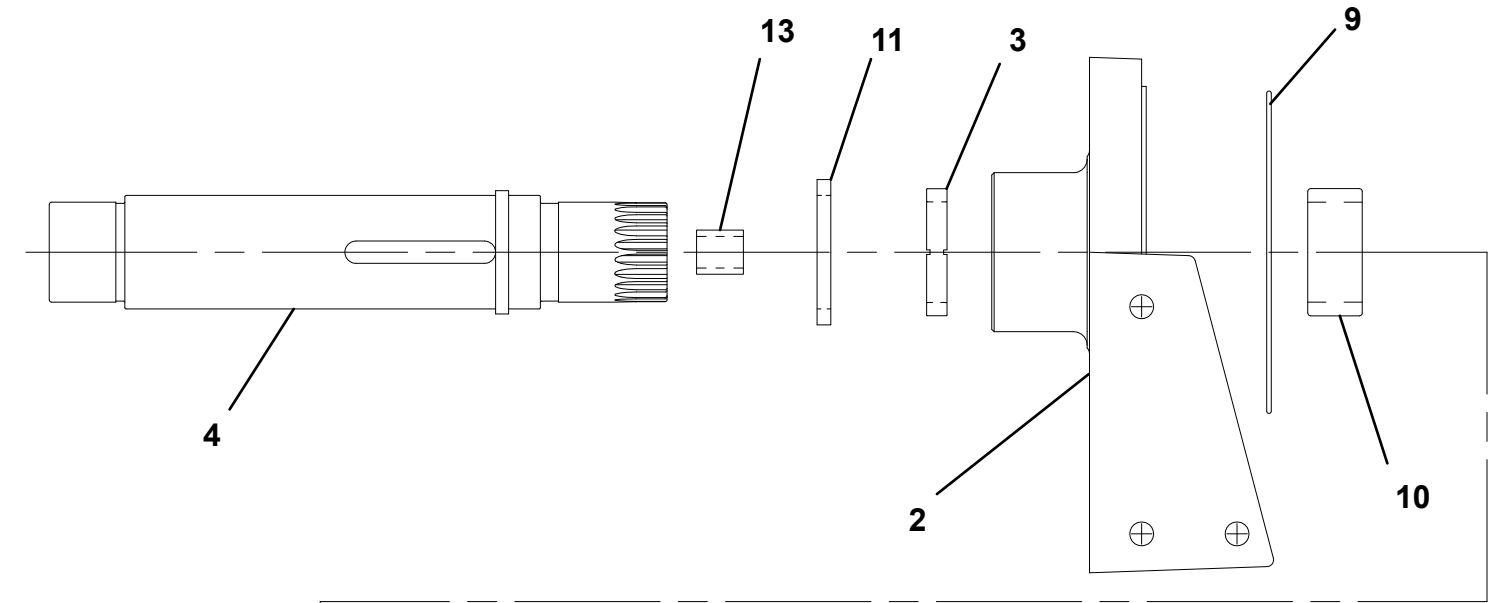
DP WINCH 35K - CABLE DRUM INSTALLATION



DP WINCH 35K - GEAR END INSTALLATION

ITEM	PART NO.	DESCRIPTION	QTY
1	9472960056	Gear	1
2	9177960003	Support, Gear End	1
3	9949960028	Thrust Washer, 3.82" OD x 0.046"	1
4	9806960021	Shaft, Output	1
5	9949960027	Thrust Washer, 3.50" OD x 0.19"	2
6	9472960052	Carrier Assembly, Primary	1
7	9472960053	Carrier Assembly, Secondary	1
8	9330960006	Label, Warning	1
9	9796960120	O-Ring, 8.75" ID	1
10	9082960018	Bearing	1
11	9796960121	Seal, 3.13" ID x 0.38"	1
12	9472960055	Gear, Sun Secondary	1
13	9209960025	Bushing	1

DP WINCH 35K - GEAR END INSTALLATION

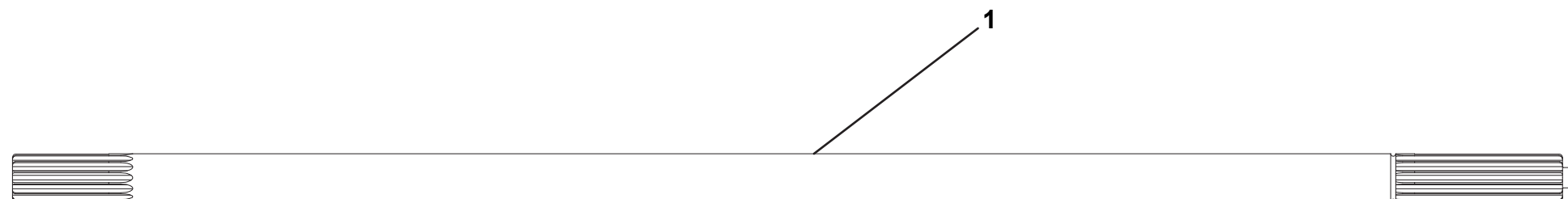


Items #8 not shown

DP WINCH 35K - INPUT SHAFT INSTALLATION

ITEM	PART NO.	DESCRIPTION	QTY
1	9806960020	Input Shaft	1

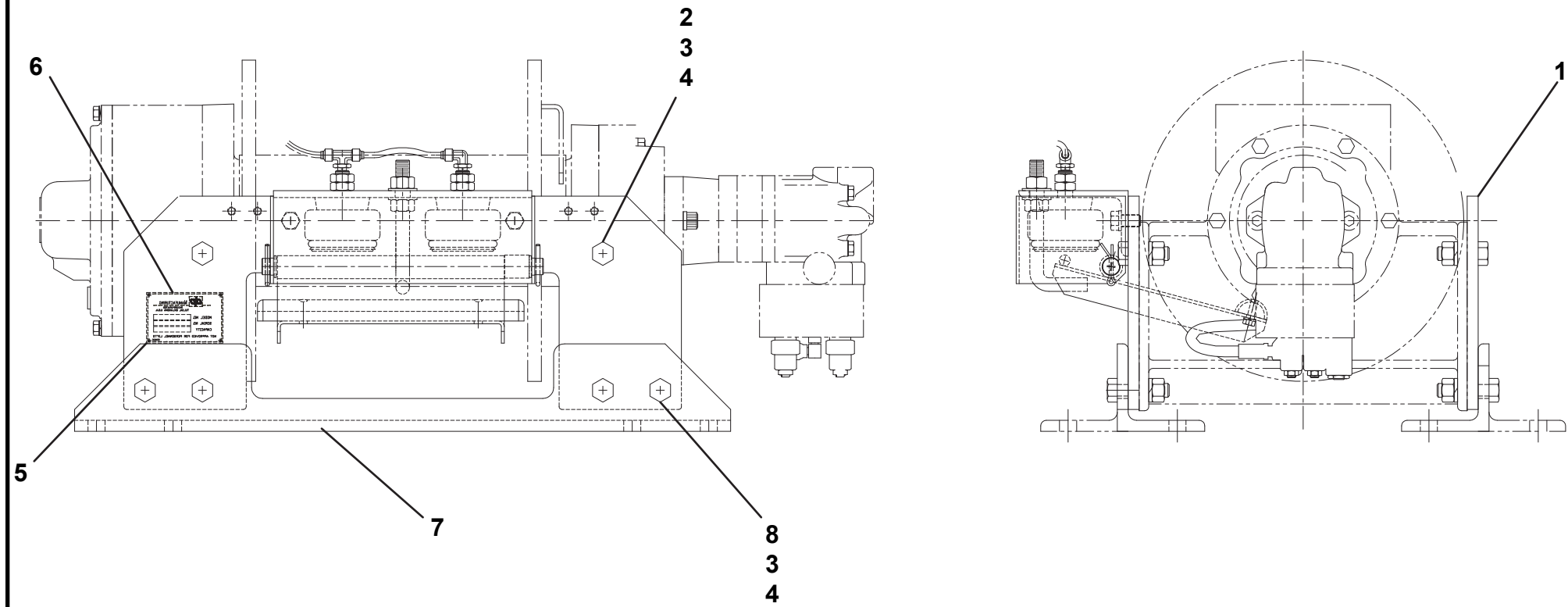
DP WINCH 35K - INPUT SHAFT INSTALLATION



DP WINCH 35K - BASE MOUNT INSTALLATION

ITEM	PART NO.	DESCRIPTION	QTY
1	9073960003	Base Mount	2
2	7115201850	Capscrew, 0.63"-11NC x 2.25"	4
3	7660200001	Nut, 0.63"-11NC	12
4	7950200000	Lockwasher, 0.63" ID	12
5	70050147	Rivet	4
6	70050384	Plate, Winch ID	1
7	9073960004	Base Mount	2
8	7115202250	Capscrew, 0.63"-11NC x 2.75"	8

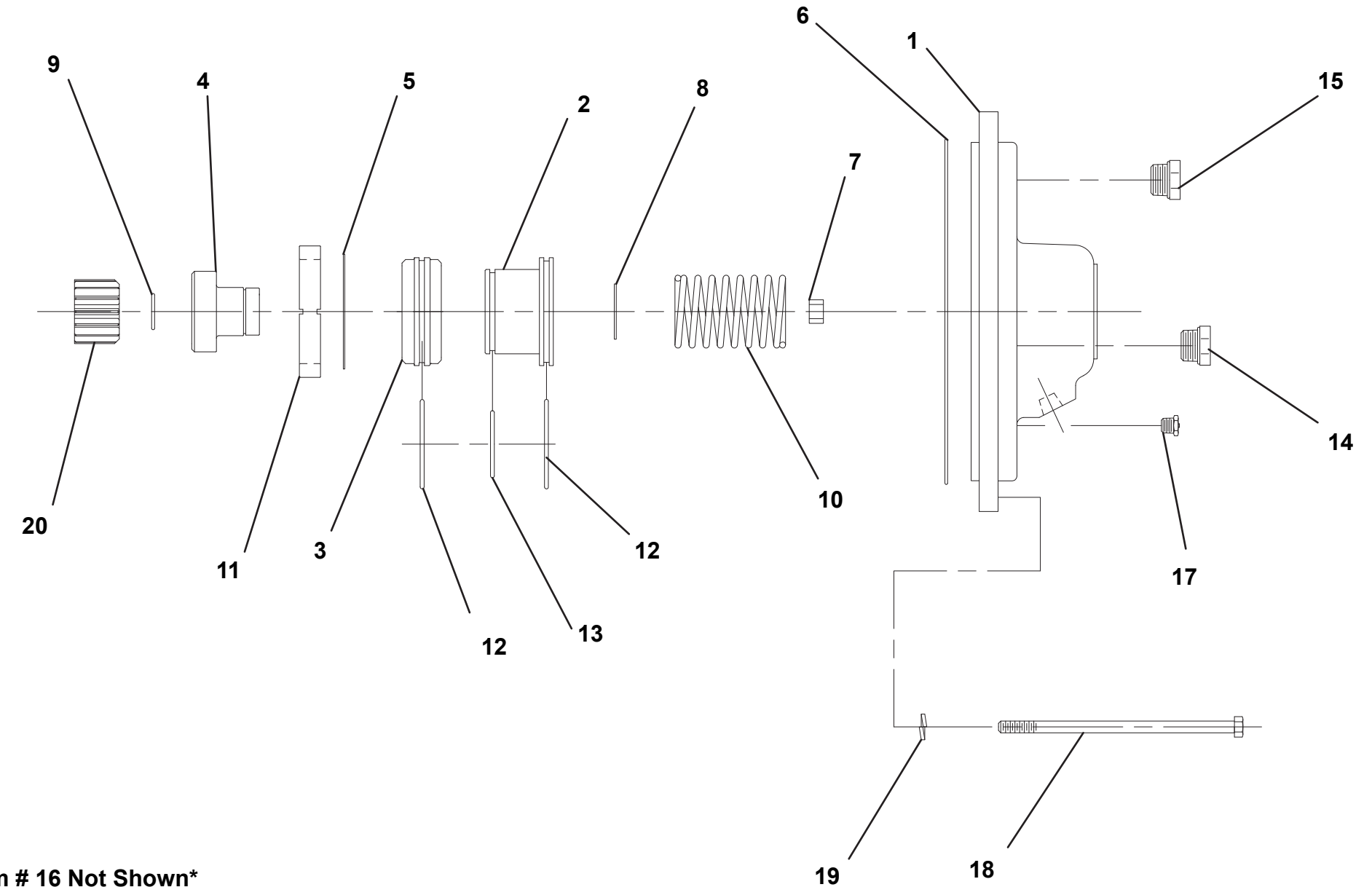
DP WINCH 35K - BASE MOUNT INSTALLATION



DP WINCH 35K - GEAR END COVER INSTALLATION

ITEM	PART NO.	DESCRIPTION	QTY
1	9314960022	Cover, Gear End	1
2	9698960016	Piston	1
3	9698960015	Cylinder, Piston	1
4	9309960011	Coupling	1
5	9754960026	Retainer Ring	1
6	9796960120	O-Ring, 8.75" ID	1
7	9209960026	Bushing	1
8	9754960046	Retainer Ring	1
9	9754960047	Retainer Ring	1
10	9843960032	Spring	1
11	9949960028	Thrust Washer	1
12	9796960119	O-Ring, 2.63" ID	2
13	9796960118	O-Ring, 2.13" ID	1
14	9701960011	Plug	1
15	9701960012	Plug	1
16	9701960018	Plug	1
17	9183960001	Vent	1
18	7118165250	Capscrew, 0.38"-16NC x 6.50"	12
19	7950160000	Lockwasher, 0.38" ID	12
20	9472960054	Gear, 15 Teeth	1

DP WINCH 35K - GEAR END COVER INSTALLATION



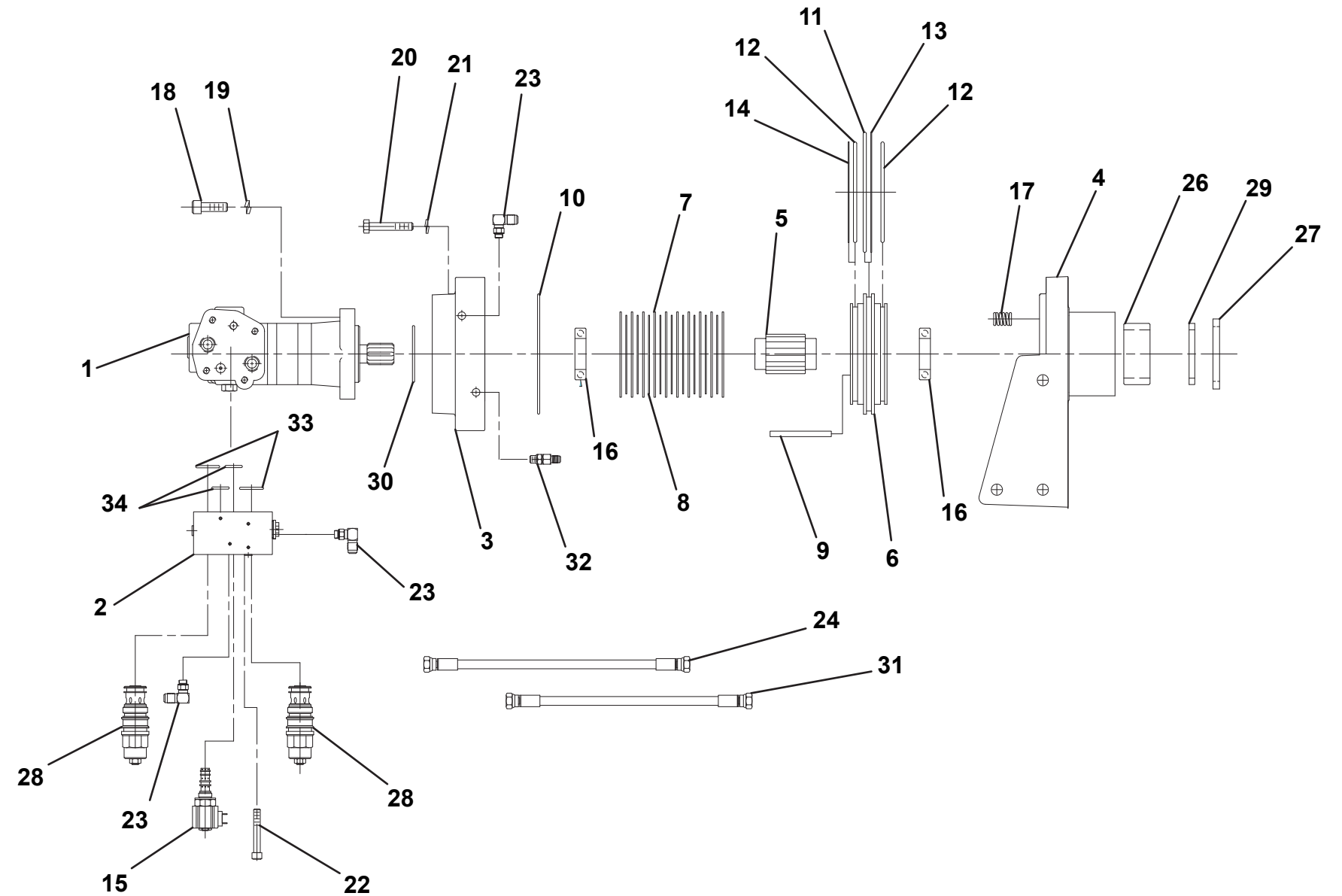
Item # 16 Not Shown

DP WINCH - MOTOR END INSTALLATION

ITEM	PART NO.	DESCRIPTION	QTY
1	70050399	Motor, Hydraulic	1
2	70050368	Valve, Counterbalance	1
3	9571960006	Brake Housing	1
4	9177960004	Support, Motor End	1
5	6906960019	Shaft Brake	1
6	9698960008	Piston, Brake	1
7	#	Plate, Friction Disc	10
8	#	Plate, Drive Brake	9
9	9691960021	Pin	2
10	##	O-Ring, 6.75" ID	1
11	##	O-Ring, 6.50" ID	1
12	##	O-Ring, 5.38" ID	2
13	##	Ring, Back-Up 6.50" ID	1
14	##	Ring, Back-Up 5.278" ID	1
15	70050371	Cartridge	1
16	9082960013	Bearing, 1.75" ID	2
17	#	Compression Spring	12
18	7118181205	Capscrew, 0.50"-13NC x 1.50"	2
19	7950180800	Lockwasher, 0.50" ID	2
20	7118172050	Capscrew, 0.44"-14NC x 2.50"	6
21	7950170000	Lockwasher, 0.44" ID	6
22	70050370	Capscrew, 0.38"-24NF x 2.50"	4
23	7445040445	Adapter	3
24	70050400	Hose	1
25	70050401*	Tag, Warning	1
26	9082960018	Bearing	1
27	<	Seal, 3.13" ID	1
28	9935960026	Cartridge	2
29	9949960028	Thrust Washer	1
30	<	O-Ring, 3.00" ID	1
31	70050372	Hose	1
32	9443960006	Adapter	1
33	70050369<	O-Ring, 1.13" ID	2
34	9796960088<	O-Ring, 0.82" ID	2

< Part Sold With Winch Service Kit - 70050402
Part Sold With Disk & Spring Kit - 9577960139
Part Sold With Brake Seal Kit - 9577960120

DP WINCH - MOTOR END INSTALLATION

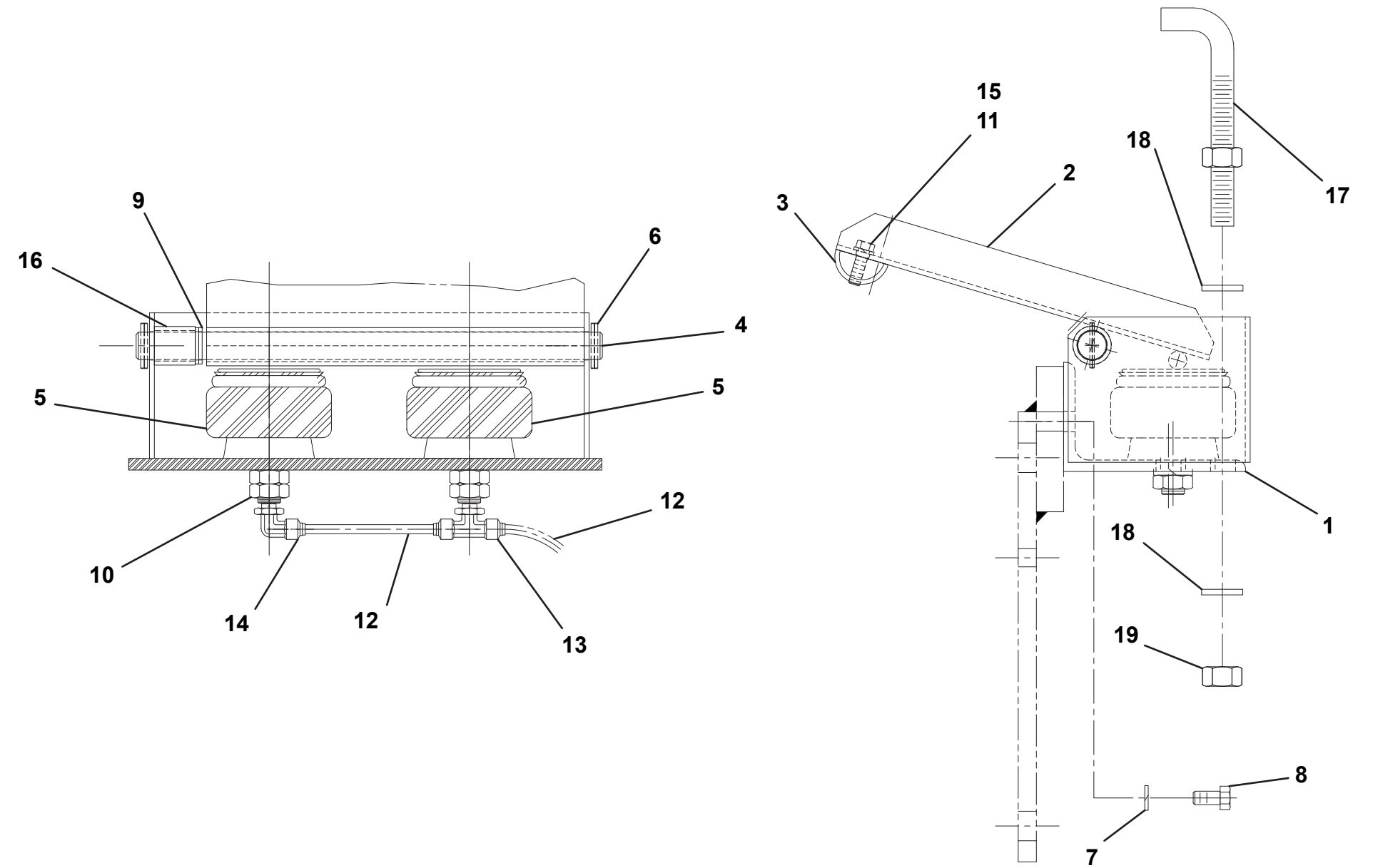


Items #25 not shown

DP WINCH - CABLE HOLD DOWN KIT

ITEM	PART NO.	DESCRIPTION	QTY
1	9178960011	Mounting Bracket	1
2	9020960002	Pivot Arm	1
3	9064960007	Rub Bar	1
4	9691960019	Pin	1
5	9843960023	Air Spring	2
6	9690960039	Cotter Pin	2
7	7950180000	Lockwasher, 0.50" ID	2
8	7115181650	Capscrew, 0.50"-13NC x 1.00"	2
9	9949960012	Thrust Washer	2
10	7660200200	Nut, 0.63"-11NC	4
11	9120960063	Capscrew, 0.32"-18NC x 1.00"	2
12	9912960010	Tubing	3
13	7443000205	Adapter	3
14	7443000204	Adapter	1
15	9949960050	Lockwasher, 0.32" ID	2
16	9831960009	Spacer	1
17	9120960019	Anchor Bolt	1
18	7950200151	Flatwasher, 0.63" ID	2
19	7660200001	Nut, 0.63"-11NC	1

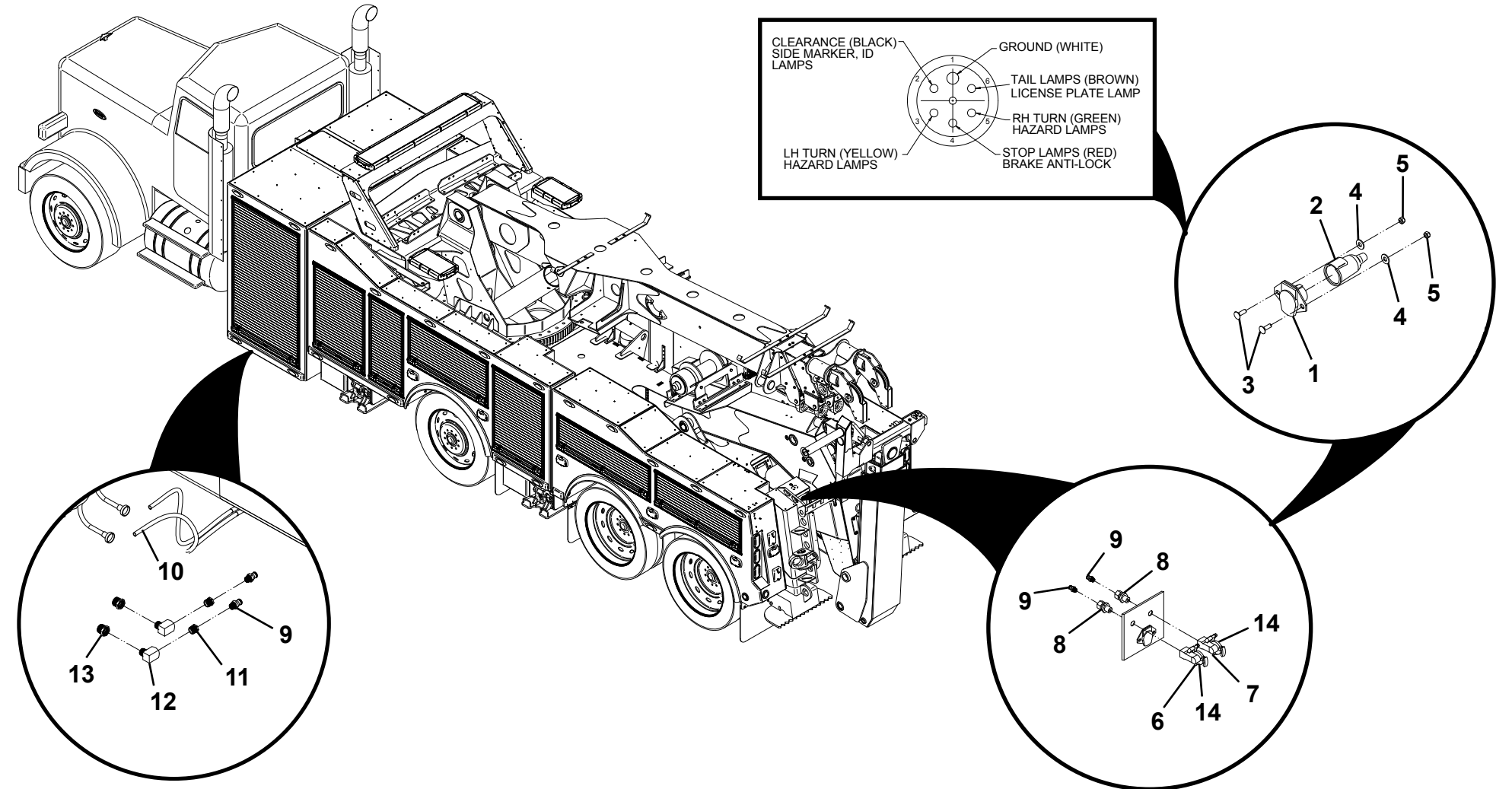
DP WINCH - CABLE HOLD DOWN KIT



TRAILER AUXILIARY INSTALLATION

ITEM	PART NO.	DESCRIPTION	QTY
1	7346000055	Electrical Receptacle	1
2	7346000078	Electrical Boot	1
3	7115150864	Bolt, 0.31"-18NC x 1.00"	2
4	7950150161	Flatwasher, 0.31" ID	2
5	7660152601	Locknut, 0.31"-18NC	2
6	7312000015	Gladhand, Blue	1
7	7312000016	Gladhand, Red	1
8	7446502518	Fitting	2
9	7445060435	Fitting	4
10	7565000014	Airline, 0.38" OD	50ft
11	7443000148	Bushing	2
12	7443000146	Elbow	2
13	7443000145	Bushing	2
14	7577000145	Seal Kit	1

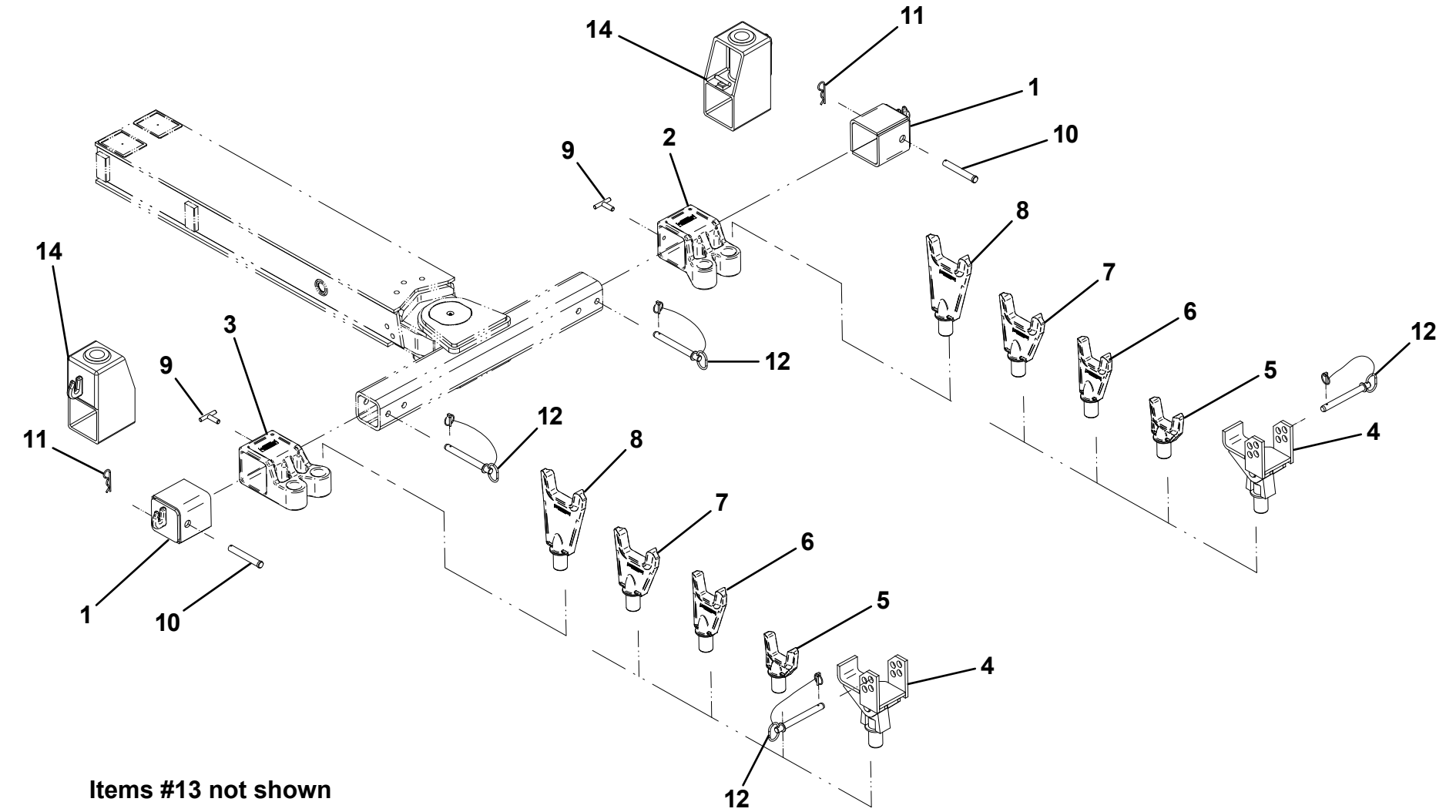
TRAILER AUXILIARY INSTALLATION



UNDERLIFT TOOLS - FRAME FORKS

ITEM	PART NO.	DESCRIPTION	QTY
1	3007000004	Adapter, Chain Hook	2
2	7007000056	Adapter, Frame Fork - RH	1
3	7007000055	Adapter, Frame Fork - LH	1
4	3178000226	Spring Lift Bracket	2
5	7454000006	Fork, 3.00" Short	2
6	7454000005	Fork, 3.00" Medium	2
7	7454000003	Fork, 4.50" Medium	2
8	7454000004	Fork, 4.50" Long	2
9	3551000036	T-Handle	2
10	7691000022	Pin	2
11	7691000020	Hairpin	2
12	7691000021	Hitch Pin	2
13	7262000026	Chain, Tie-Down	2
14	1001170172	Optional Frame Fork Riser	2

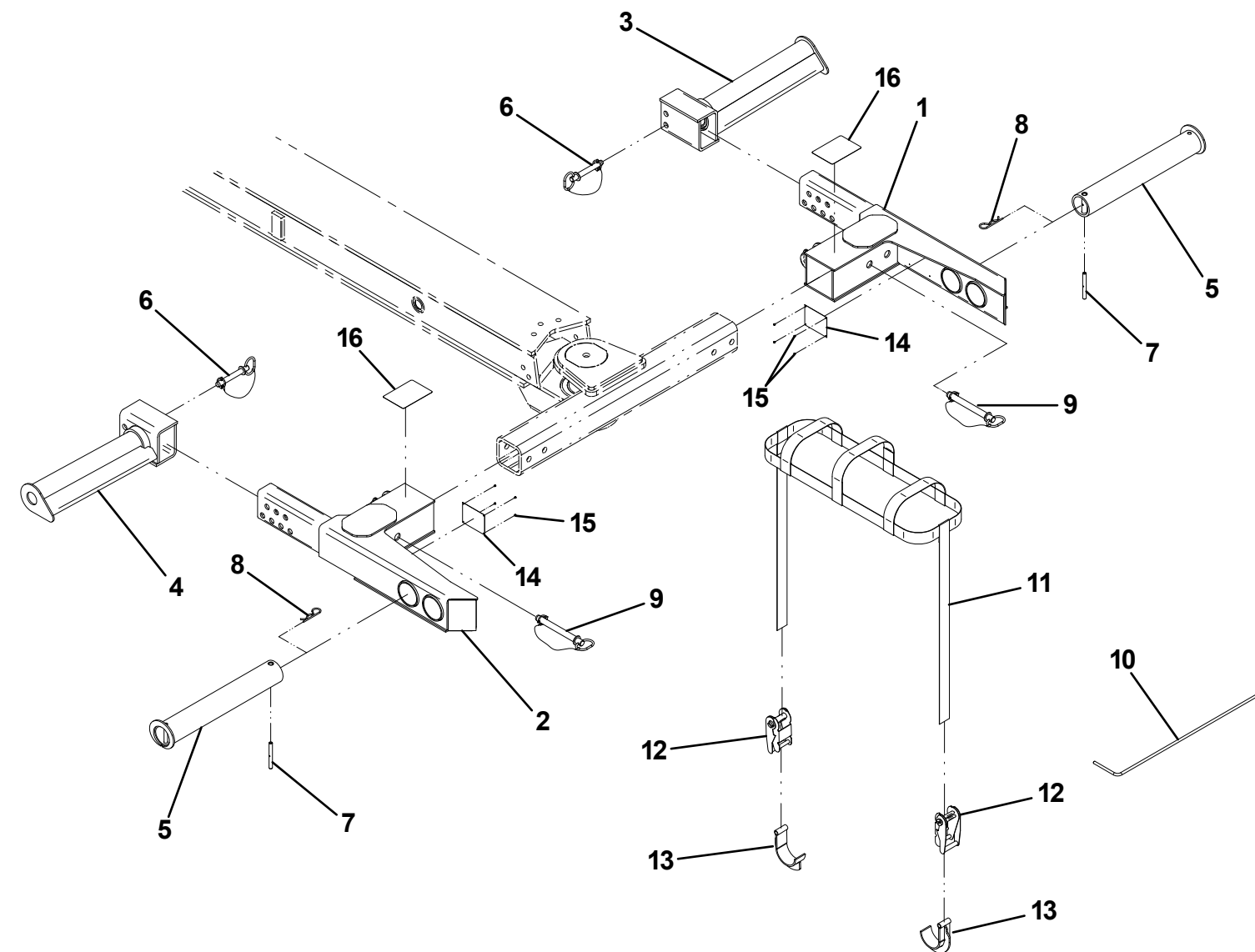
UNDERLIFT TOOLS - FRAME FORKS



UNDERLIFT TOOLS - 14,000 LB TIRE LIFT

ITEM	PART NO.	DESCRIPTION	QTY
1	3484000048	Tire Lift Grid - RH	1
2	3484000049	Tire Lift Grid - LH	1
3	3020000120	Tire Lift Arm Weldment - RH	1
4	3020000119	Tire Lift Arm Weldment - LH	1
5	3912000038	Tire Lift Tube Weldment - 23" Long	2
	3912000033	Tire Lift Tube Weldment - 27.5" Long	2
6	7691000026	Hitch Pin	2
7	4691000274	Pin	2
8	7691000020	Hairpin	2
9	7691000021	Hitch Pin	2
10	4561000012	Hook, Pull	1
11	7894000037	Strap, 2" Wide (Standard - Yellow)	2
	7894000041	Strap, 2" Wide (Optional - Orange)	
12	7894000028	Ratchet, 2" Wide Strap	4
13	3561000008	Hook, 2" Wide Strap	4
14	7330000550	Decal	2
15	7759000004	Rivet	8
16	7330000278	Decal	2

UNDERLIFT TOOLS - 14,000 LB TIRE LIFT

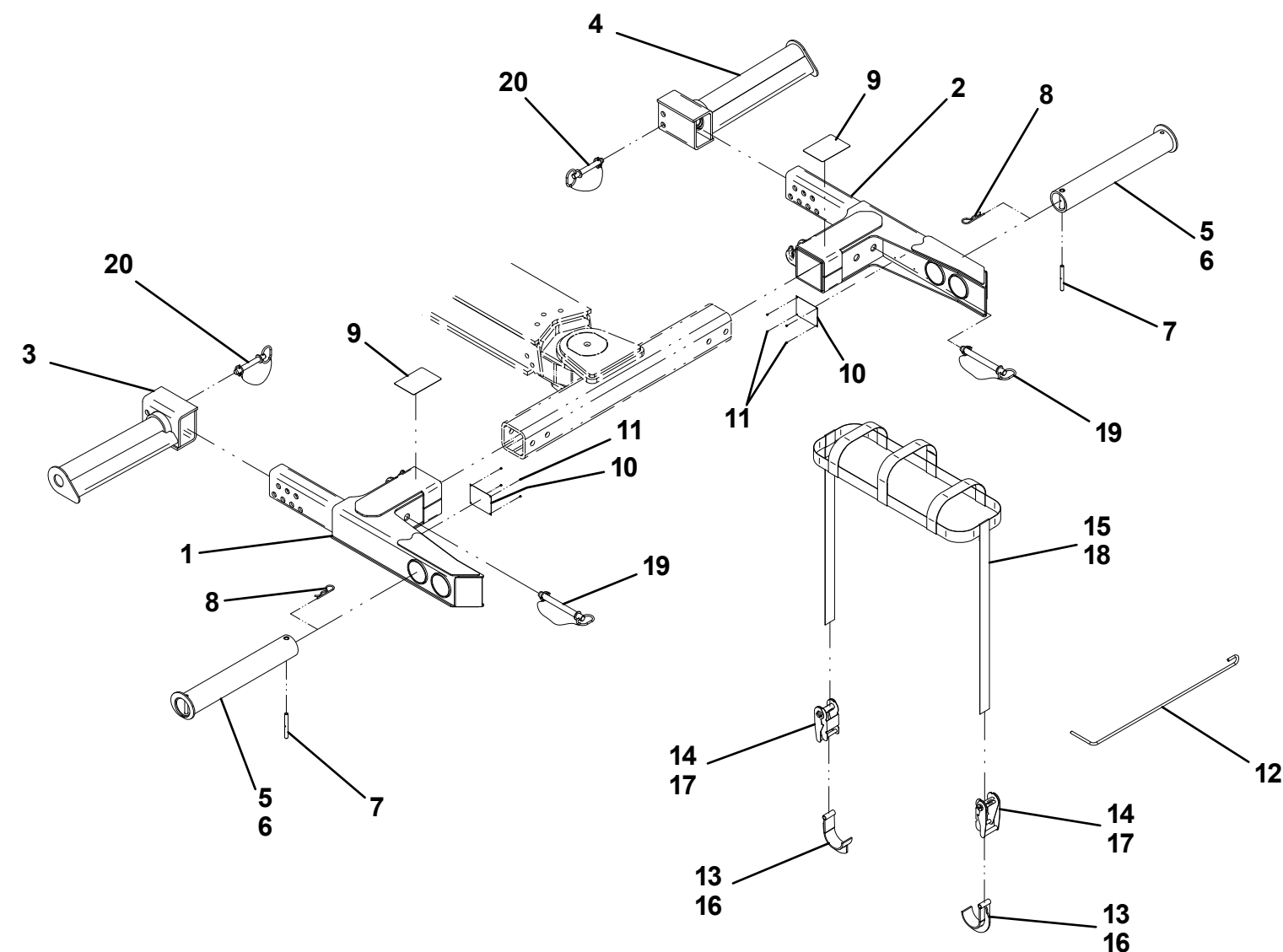


UNDERLIFT TOOLS - 25,000 LB TIRE LIFT

ITEM	PART NO.	DESCRIPTION	QTY
1	3484000072^	Tire Lift Grid - LH	1
2	3484000073^	Tire Lift Grid - RH	1
3	3020000119^	Tire Lift Arm Weldment - LH	1
4	3020000120^	Tire Lift Arm Weldment - RH	1
5	3912000038^	Tire Lift Tube Weldment - 23" Long	2
6	3912000033^	Tire Lift Tube Weldment - 27.5" Long	2
7	4691000274^	Pin	2
8	7691000020^	Hairpin	2
9	7330000278^	Decal	2
10	7330000550^	Decal	2
11	7759000004^	Rivet	8
12	4561000012^	Hook, Pull	1
13	3561000015*	Hook, 3" Wide Strap	4
14	7894000060*	Ratchet, 3" Wide Strap	4
15	7894000057*	Strap, 3" Wide	2
16	3561000008^	Hook, 2" Wide Strap	4
17	7894000028^	Ratchet, 2" Wide Strap	4
18	7894000037^	Strap, 2" Wide	2
19	7691000021	Hitch Pin	2
20	7691000026^	Hitch Pin	2

^ Also available as - 2502880300
* Available in Strap Kit - 7577000368

UNDERLIFT TOOLS - 25,000 LB TIRE LIFT

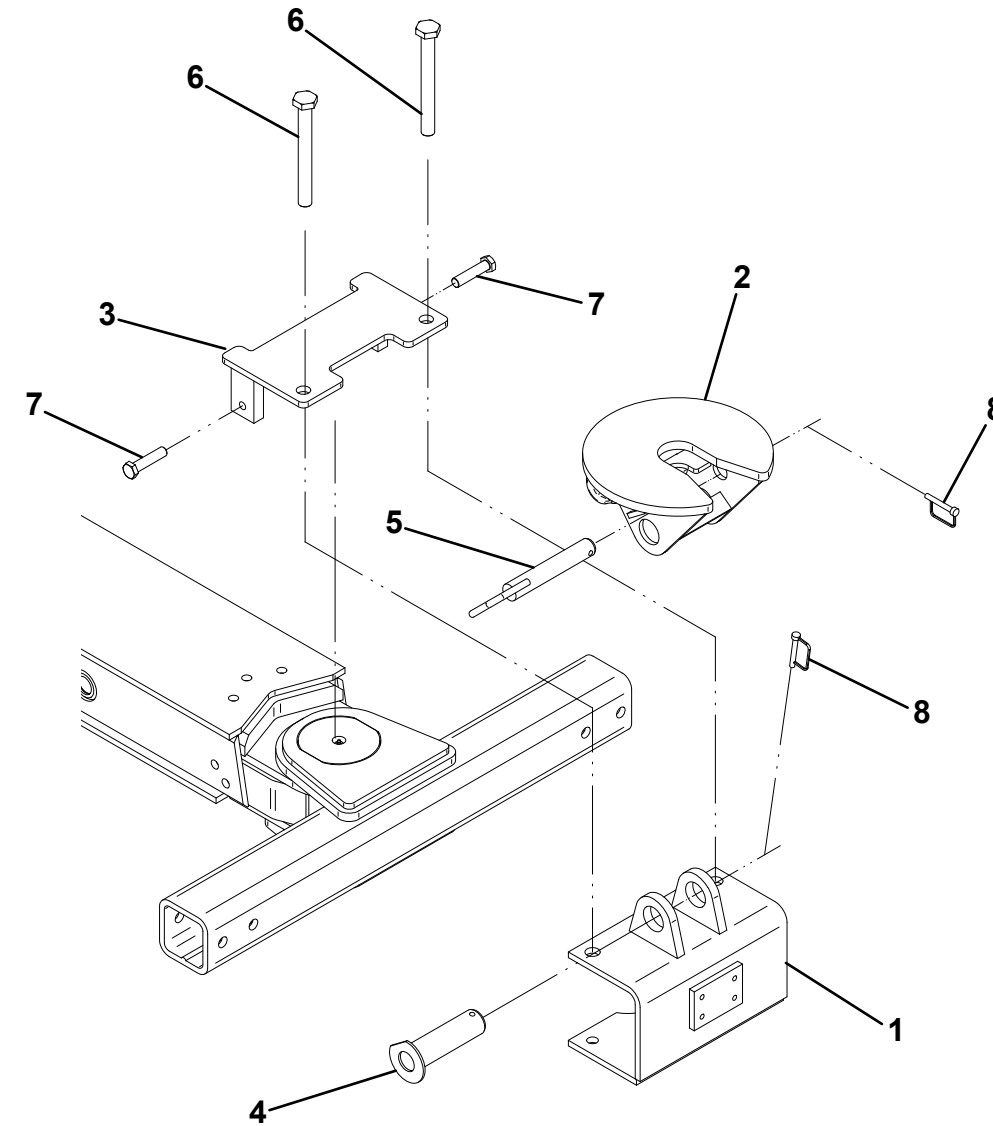


UNDERLIFT TOOLS - FIFTH WHEEL ATTACHMENT

ITEM	PART NO.	DESCRIPTION	QTY
1	3178000240*	Bracket Weldment	1
2	3178000499*	Bracket, Fifth Wheel Weldment	1
3	3706000080*	Plate Weldment	1
4	3691000144*	Pin	1
5	3691000145*	Pin	1
6	7118267250*	Capscrew, 1.00"-8NC x 9.00"	2
7	7120000036*	Capscrew, 0.75"-10NC x 3.25"	2
8	7691000025*	Pin	2

* Also available as - 2503880033

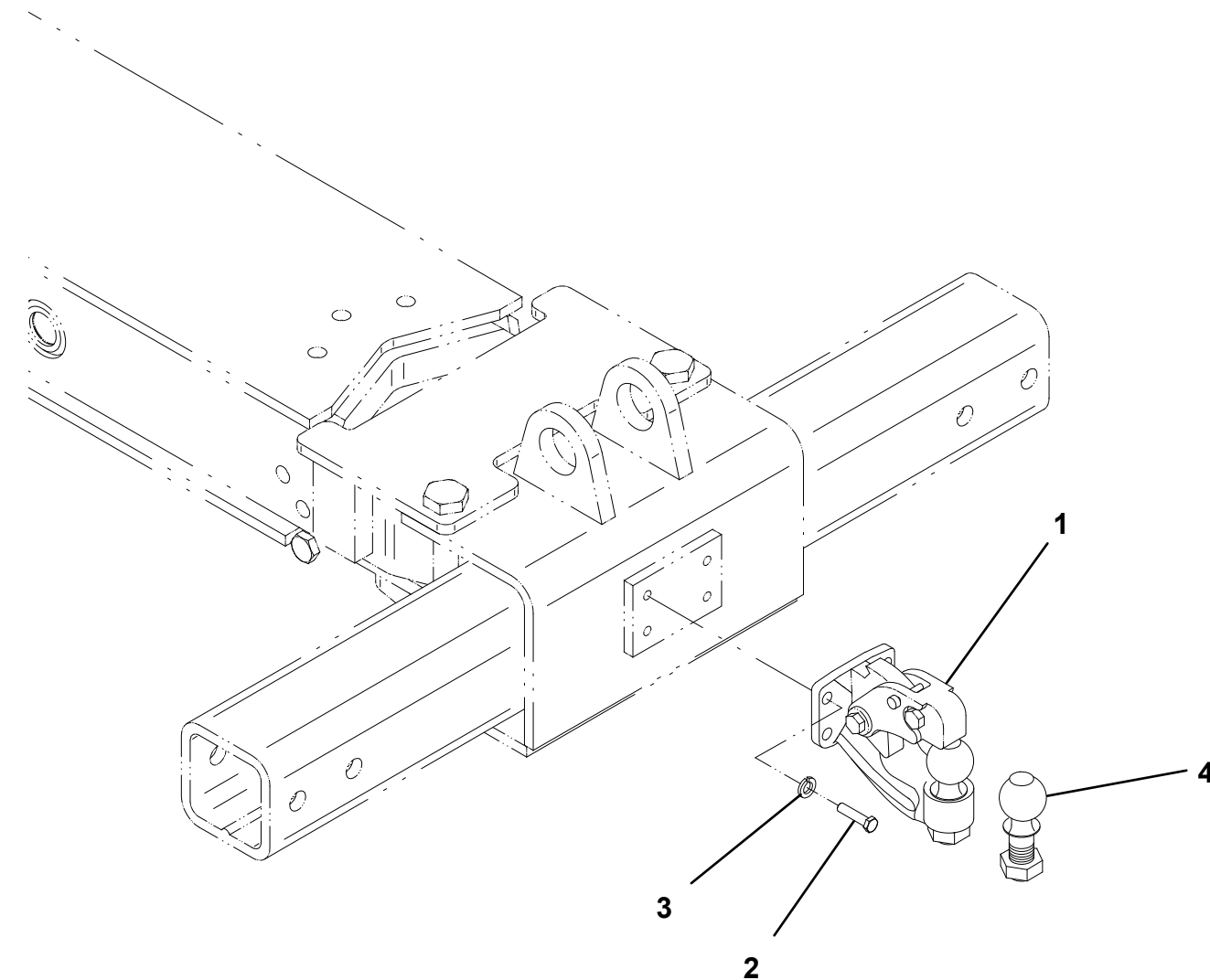
UNDERLIFT TOOLS - FIFTH WHEEL ATTACHMENT



UNDERLIFT TOOLS - PINTLE HOOK

ITEM	PART NO.	DESCRIPTION	QTY
1	7561000020	Hitch, Pintle Hook with 2" Dia. Ball	1
2	7118181250	Capscrew, 0.50"-13NC x 1.50"	4
3	7950180000	Lockwasher, 0.50" ID	4
4	7056000003	Ball, 1.88" Dia	1
	7056000004	Ball, 2.00" Dia	
	7056000005	Ball, 2.31" Dia	
	7056000006	Ball, 50mm Dia	

UNDERLIFT TOOLS - PINTLE HOOK

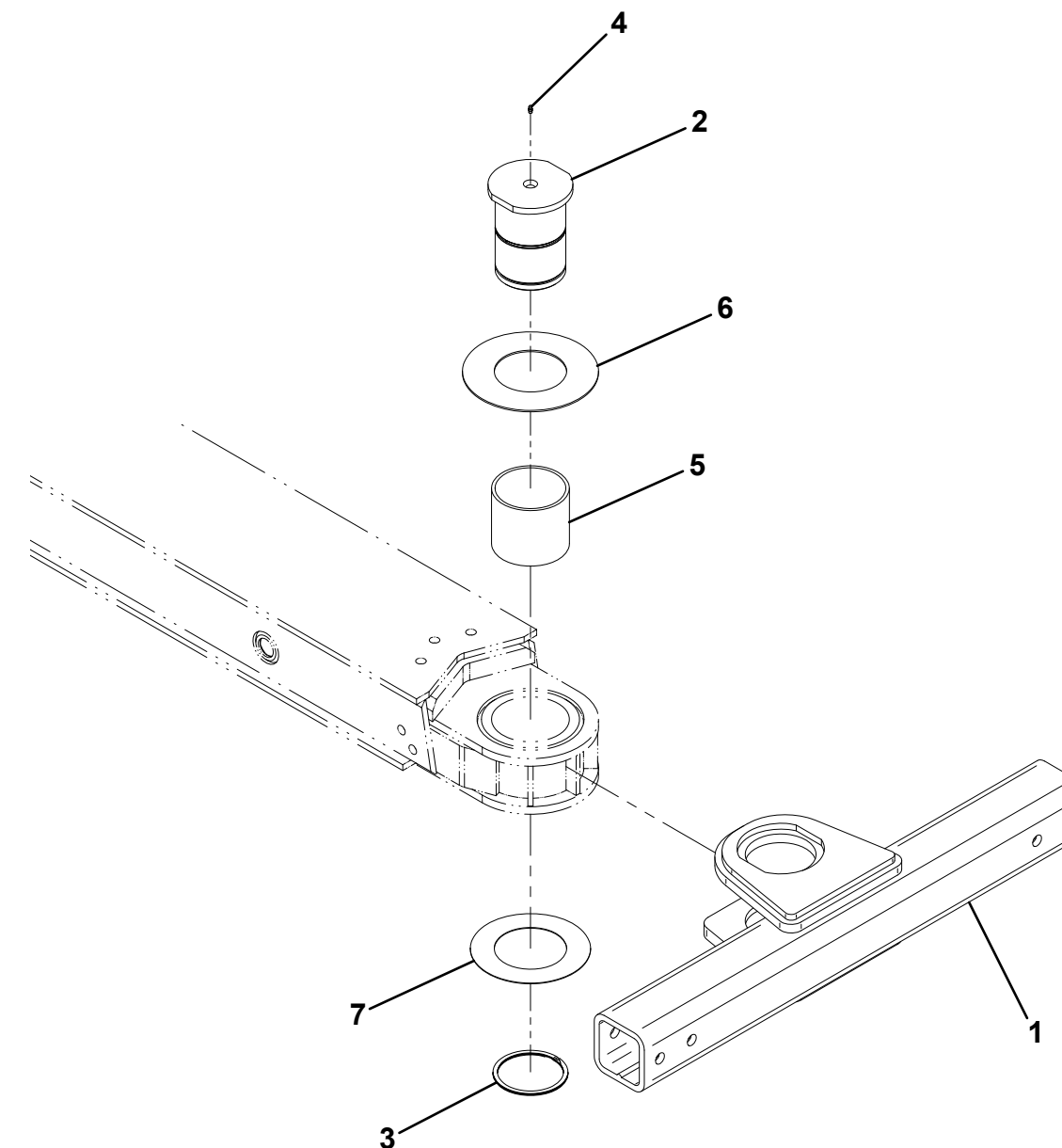


CROSSTUBE INSTALLATION

ITEM	PART NO.	DESCRIPTION	QTY
1	3913000094	Crosstube Weldment	1
2	4691000242	Pin	1
3	7754000042	Retaining Ring	1
4	7440300000	Grease Fitting	1
5	7209000022	Bushing	1
6	4949000041*	Washer, 0.125" Thk	1
7	4949000042*	Washer, 0.63" Thk	2

* Available in Shim Kit - 3577000018

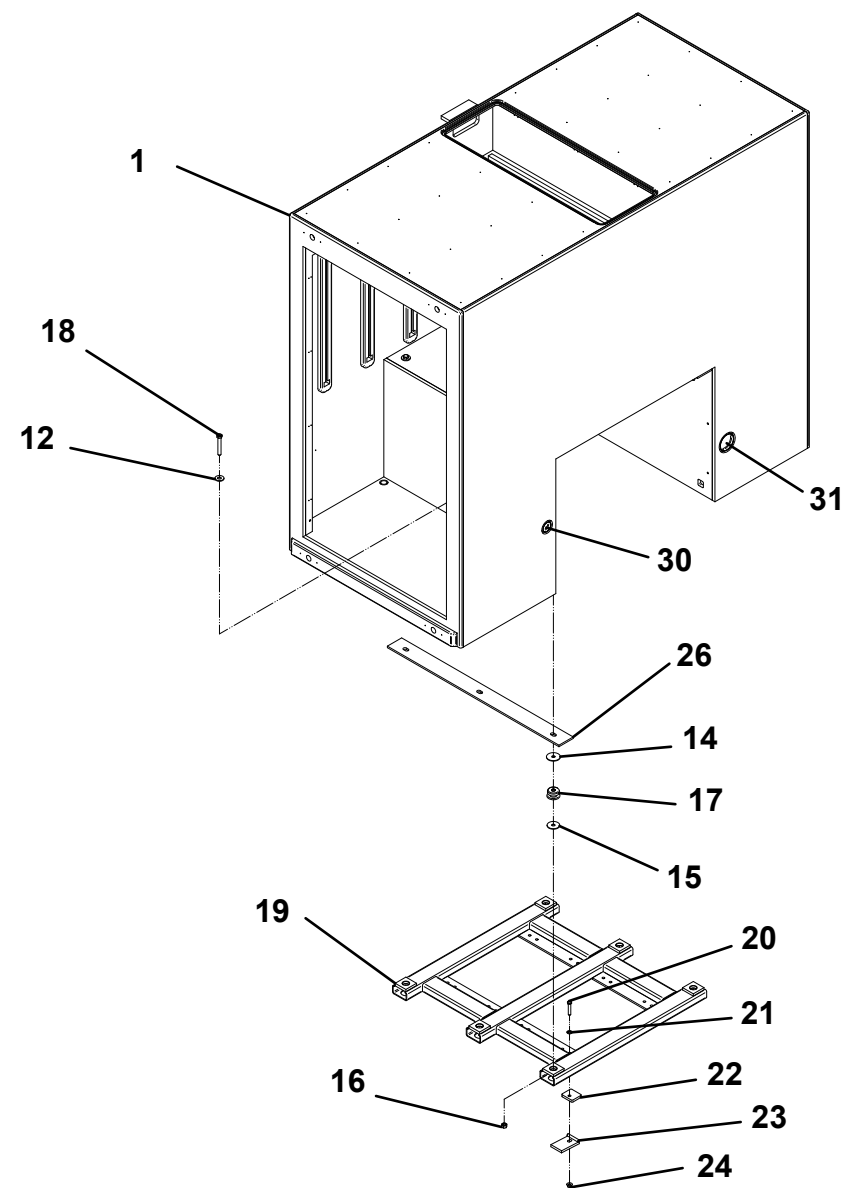
CROSSTUBE INSTALLATION



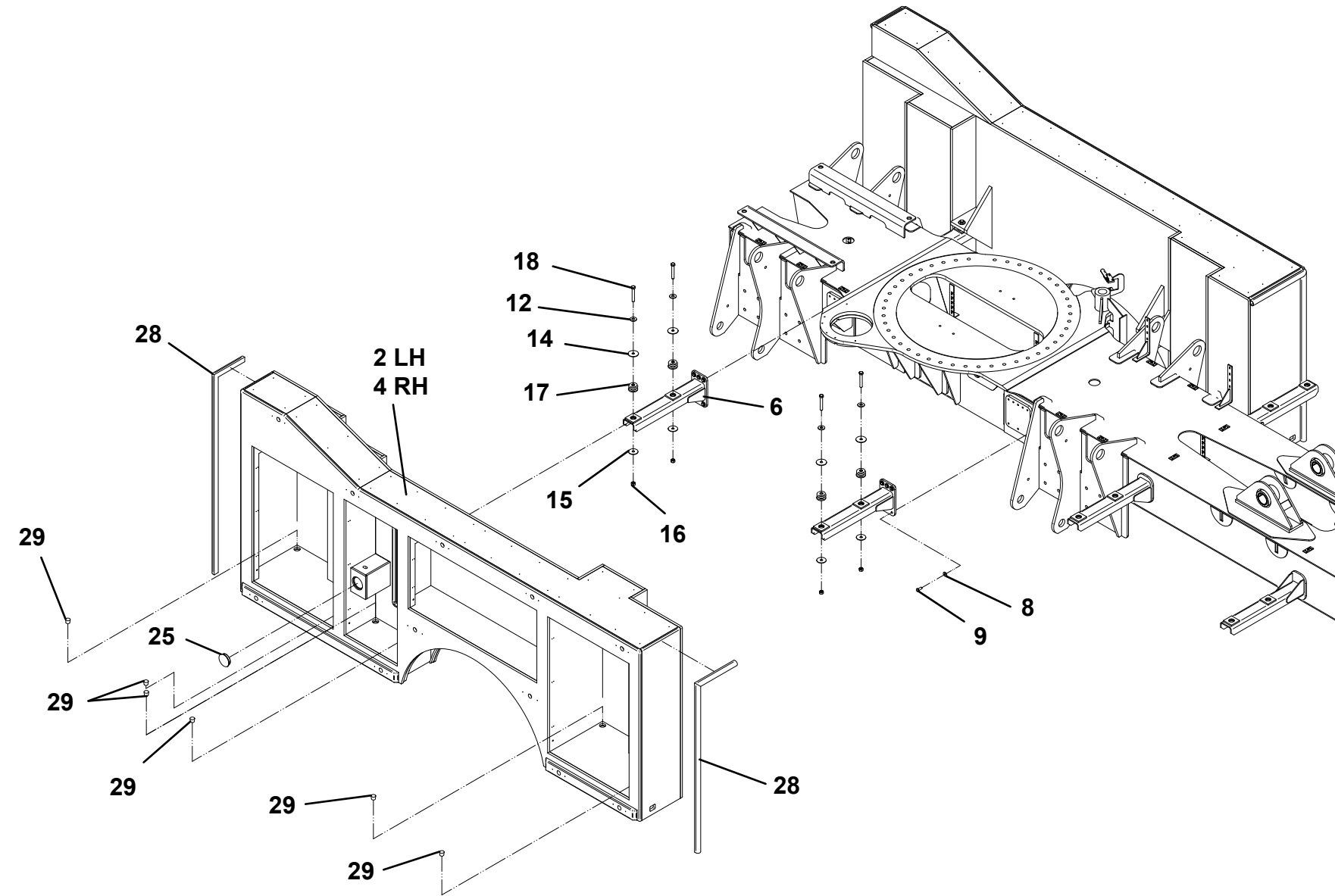
JFB BODY INSTALLATION

ITEM	PART NO.	DESCRIPTION	QTY
1	1001166100	Box, Tunnel Toolbox	1
2	1001166098	Box, Mid Body LH	1
3	1001166095	Box, Rear Body LH	1
4	1001166099	Box, Mid Body RH	1
5	1001166097	Box, Rear Body RH	1
6	1001164154	Mount, Mid Body	4
7	1001164193	Mount, Rear Body	2
8	7950180150	Flatwasher, 0.50" ID	28
9	7115181050	Capscrew, 0.50"-13NC x 1.25"	20
10	7115181250	Capscrew, 0.50"-13NC x 1.50"	4
11	7660182601	Locknut, 0.50"-13NC	4
12	7950200161	Flatwasher, 0.63"	26
13	7115203250	Capscrew, 0.62"-11NC x 4.00"	8
14	7949000019	Washer	26
15	7949000020	Washer	26
16	7660200001	Nut, 0.63"-11NC	26
17	7636000008	Mount	26
18	642034	Capscrew, 0.62"-11 NC x 4.25"	18
19	3911000068	49" Tunnel Toolbox Mount	1
20	7115182250	Capscrew, 0.50"-13NC X 2.75"	8
21	7950180252	Flatwasher, 0.50" ID	8
22	4705000705	Plate	8
23	3274000011	Clamp	8
24	7660182301	Locknut, 0.50"-13NC	8
25	1001151789	Plug	3
26	1001165692	Support Plate	2
27	100011	Thread Locker	A/R
28	8632000011	Rubber Seal	24.8 ft
29	1001173847	Plug	16
30	1001177203	Plug, 3.89"	1
31	1001177202	Plug, 2.35"	1

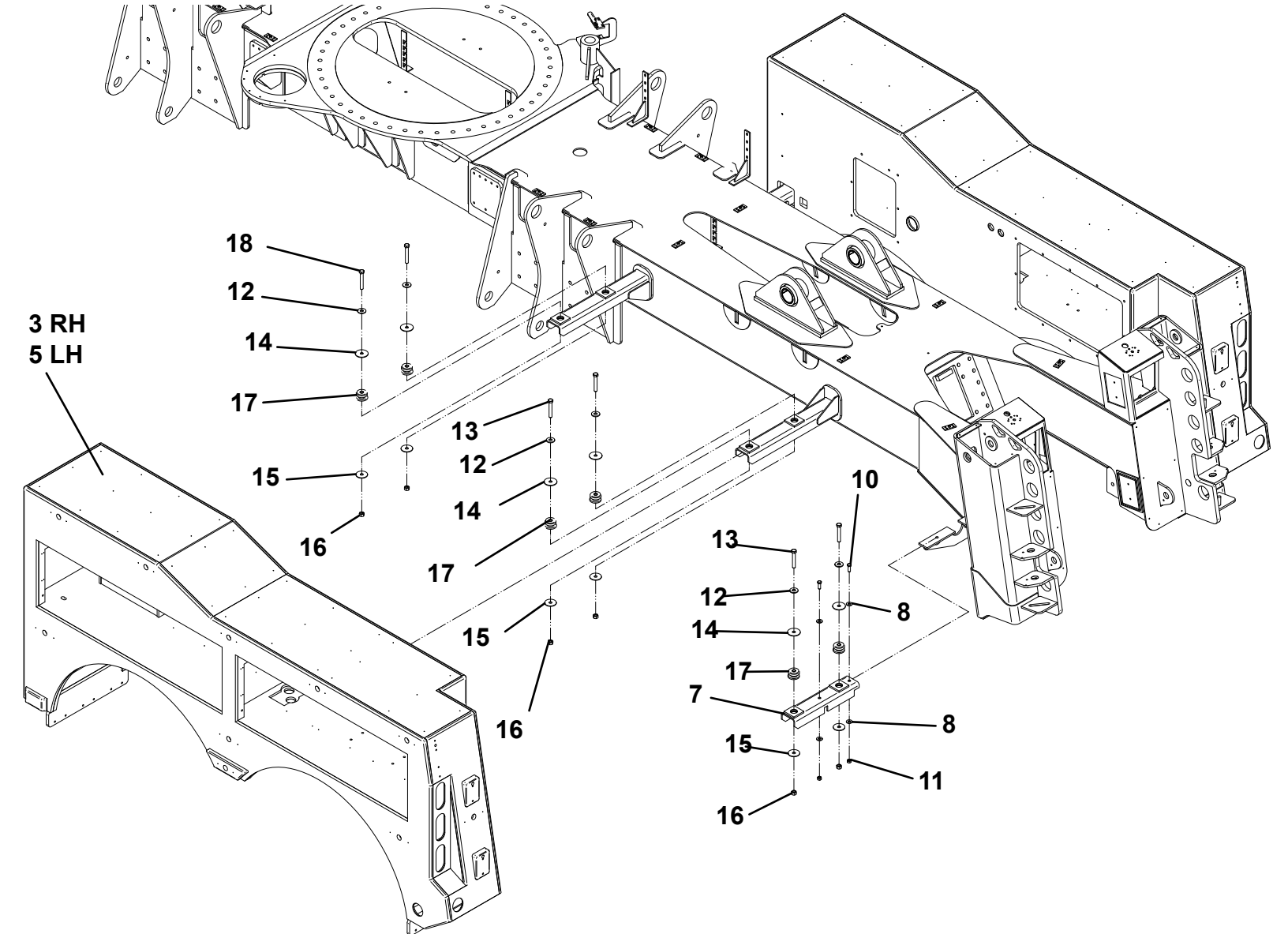
JFB BODY INSTALLATION



JFB BODY INSTALLATION



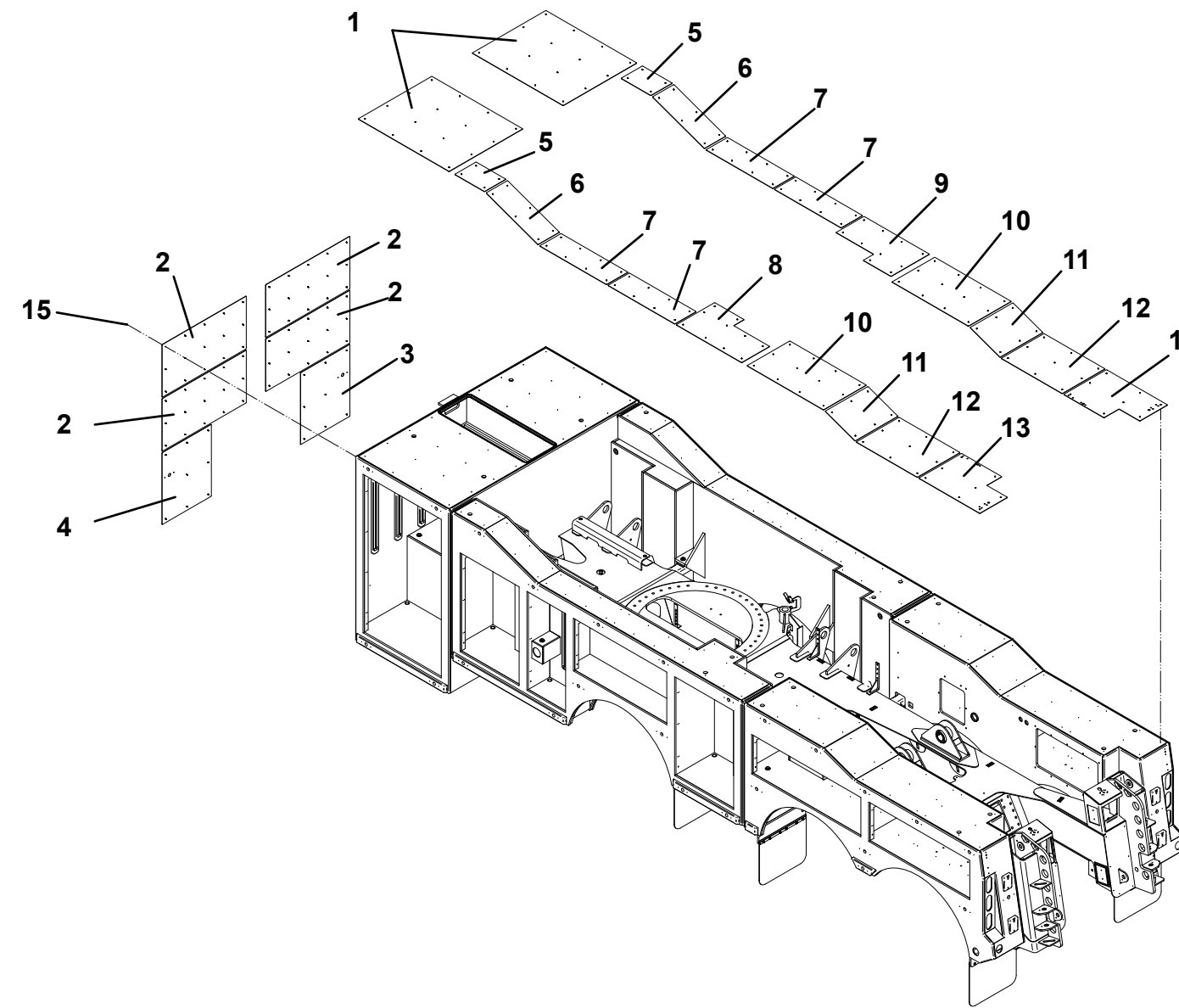
JFB BODY INSTALLATION



DIAMOND PLATE INSTALLATION

ITEM	PART NO.	DESCRIPTION	QTY
1	1001163396	Plate,	2
2	1001172127	Plate	4
3	1001172120	Plate	1
4	1001172121	Plate	1
5	1001163428	Plate	2
6	1001163446	Plate	2
7	1001163447	Plate	4
8	1001163453	Plate	1
9	1001163454	Plate	1
10	1001163615	Plate	2
11	1001163626	Plate	2
12	1001163628	Plate	2
13	1001163629	Plate	1
14	1001163630	Plate	1
15	1001166322	Screw,#10-12 X 0.62"	250

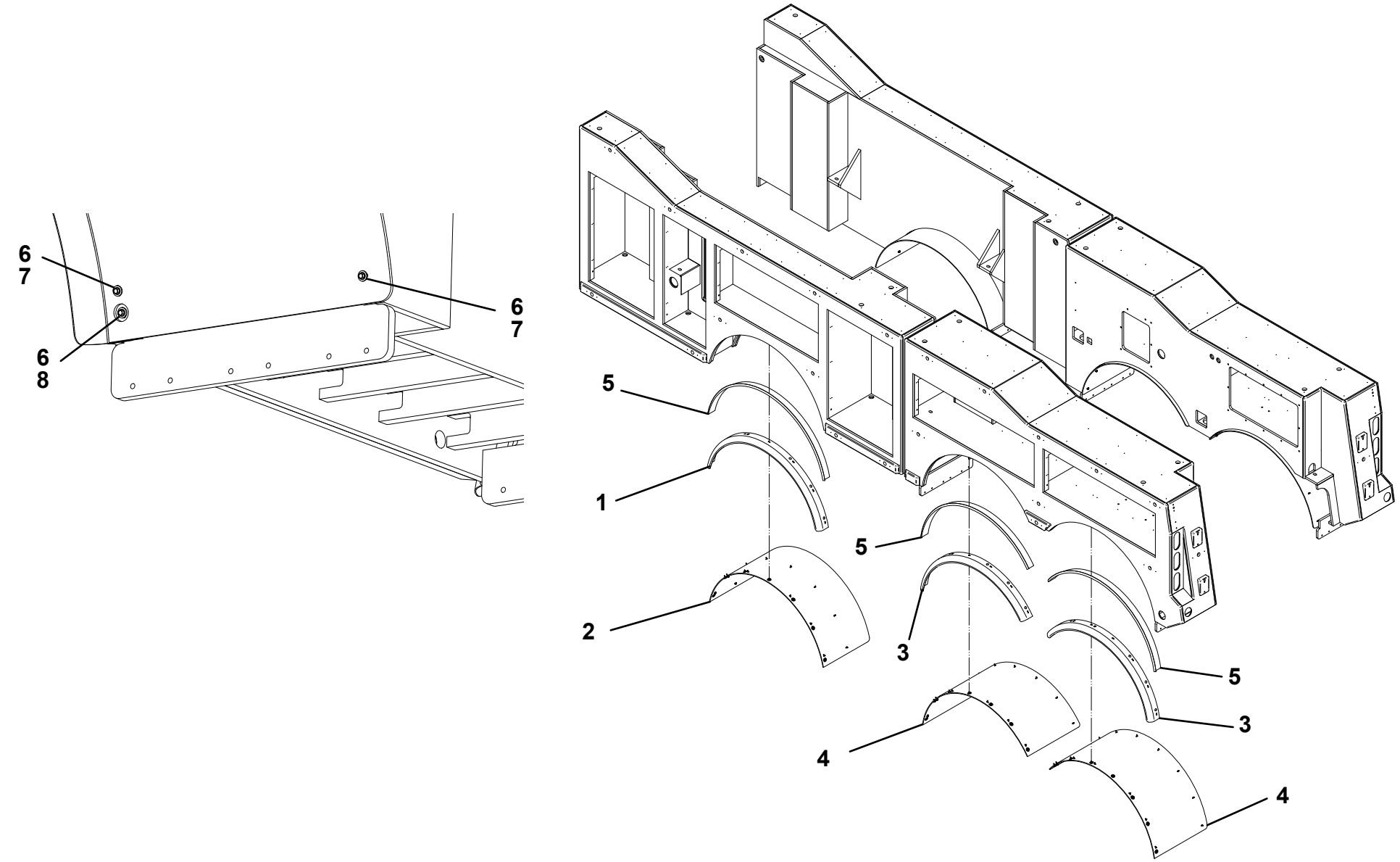
DIAMOND PLATE INSTALLATION



FENDER FLARE AND LINER INSTALLATION

ITEM	PART NO.	DESCRIPTION	QTY
1	1001163357	Fender, Mid Body	2
2	1001167351	Fender Liner, Mid Body	2
3	1001163358	Fender, Rear Body	4
4	1001167352	Fender Liner, Rear Body	4
5	1001167358	Moulding	0.4
6	7950140163	Flatwasher, 0.25" ID	120
7	7790141651	Screw, 0.25" X 1.00"	78
8	7790141251	Screw, 0.25" X 0.75"	42

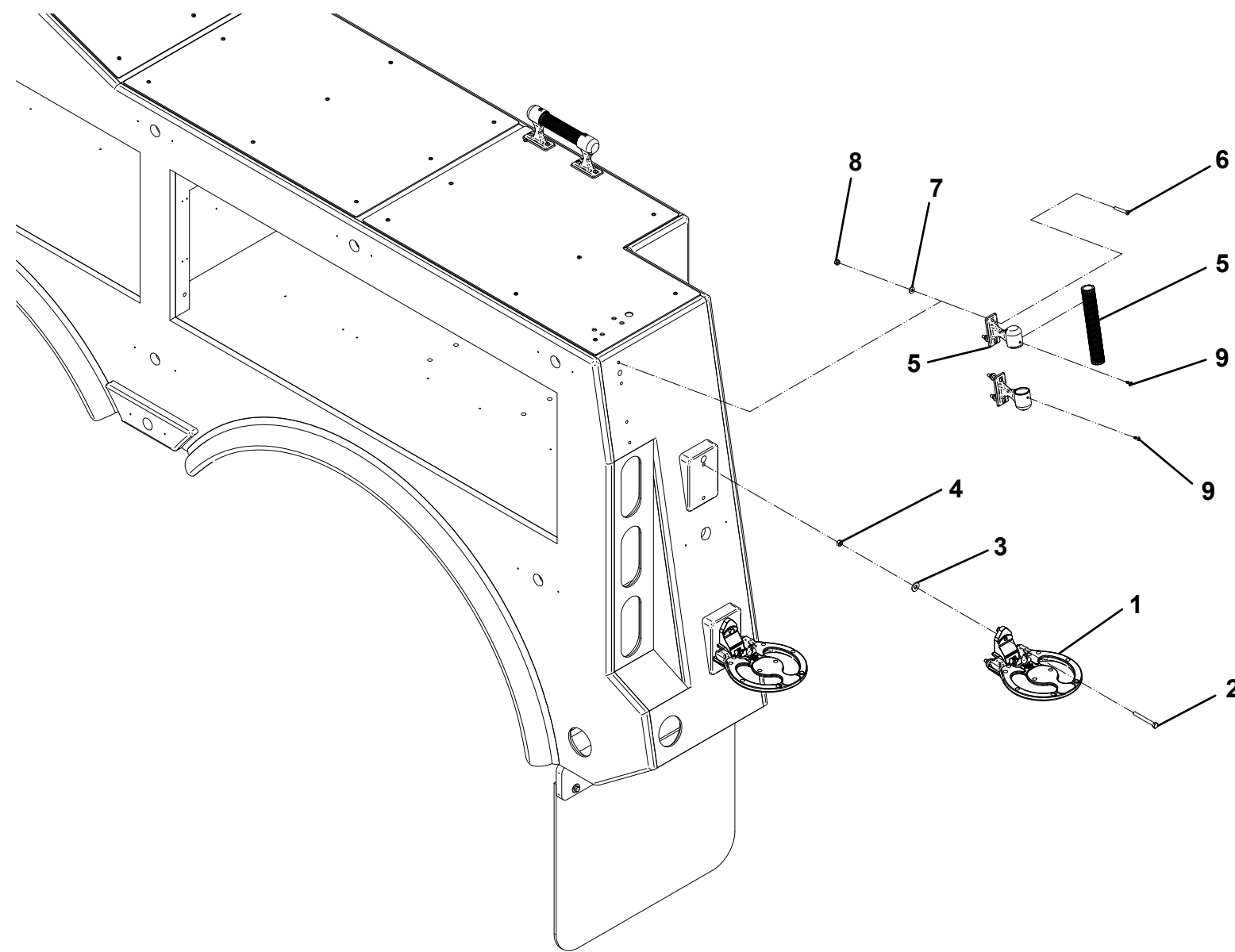
FENDER FLARE AND LINER INSTALLATION



GRAB HANDLE AND STEP INSTALLATION

ITEM	PART NO.	DESCRIPTION	QTY
1	1001167456	Step	4
2	1001167455	Screw, 0.31"-18NC x 2.75"	8
3	7950150153	Flatwasher, 0.31" ID	8
4	7660152601	Locknut, 0.31"-18NC	8
5	1001170849	Handle	4
6	1001170935	Screw, 0.25"-20NC x 1.75"	16
7	7950140143	Flatwasher, 0.25" ID	16
8	7660142601	Locknut, 0.25"-20NC	16
9	1001170937	Screw, #10-24 x 0.50"	8

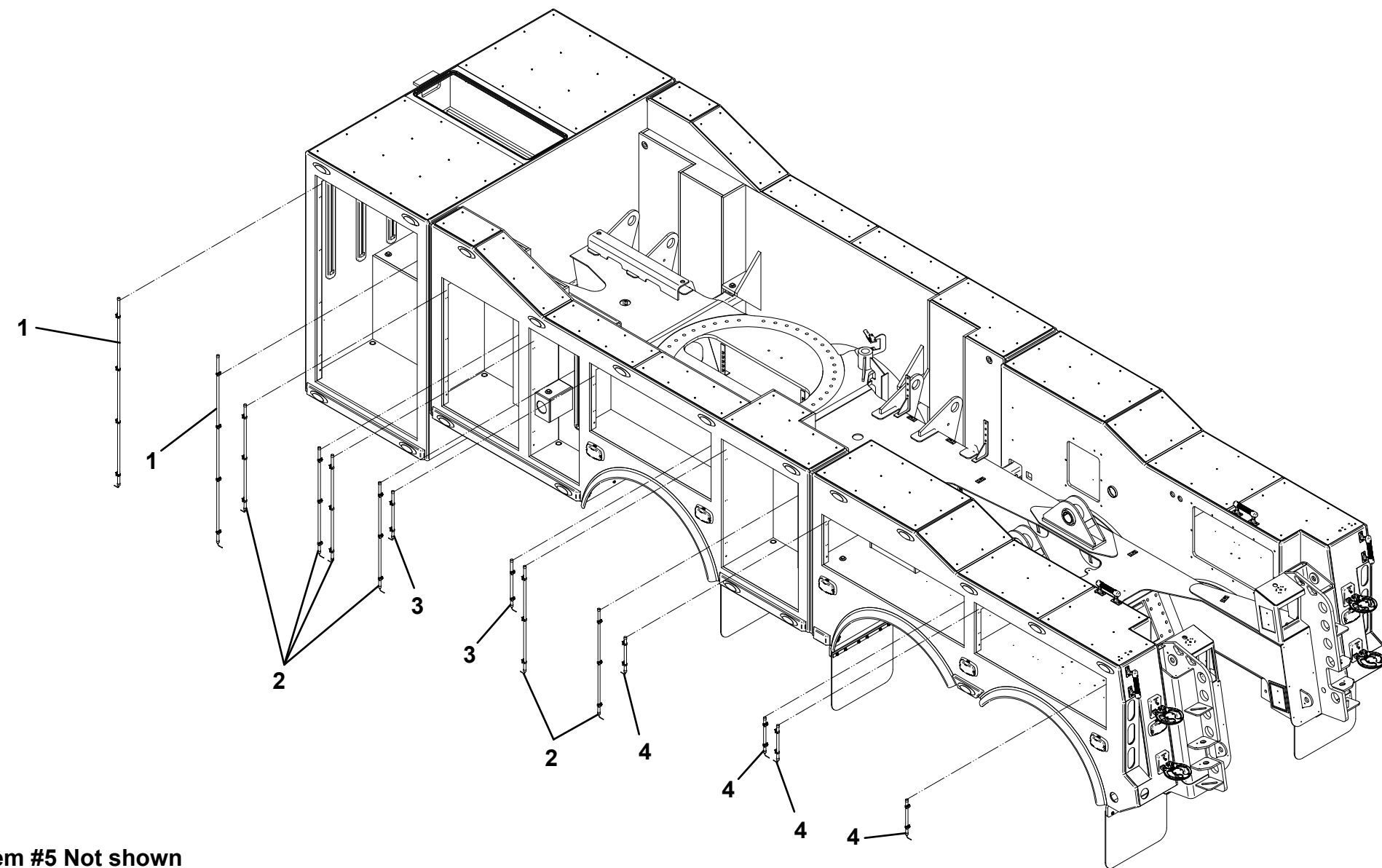
GRAB HANDLE AND STEP INSTALLATION



COMPARTMENT LIGHT INSTALLATION

ITEM	PART NO.	DESCRIPTION	QTY
1	1001166546	LED Light, 64"	4
2	1001166547	LED Light, 36"	12
3	1001166548	LED Light, 16"	4
4	1001166549	LED Light, 12"	8
5	1001154530	Screw, #8 x 0.62"	152

COMPARTMENT LIGHT INSTALLATION

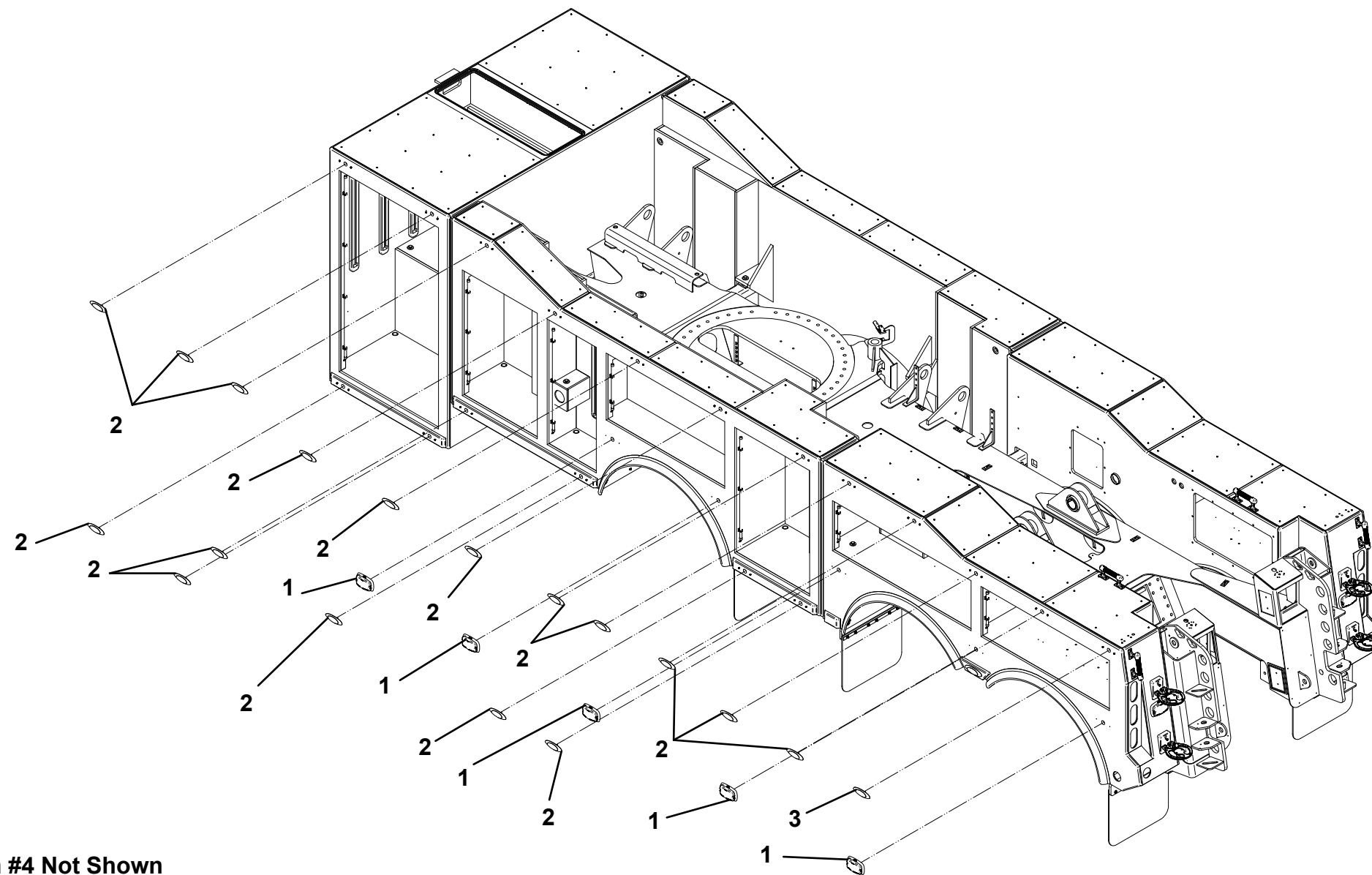


Item #5 Not shown

BODY LIGHT INSTALLATION

ITEM	PART NO.	DESCRIPTION	QTY
1	1001130427	Light, Whelen	12
2	7590000262	Light, Amber	38
3	7590000282	Light, Red	2
4	1001154101	Screw, #10 x 0.50"	80

BODY LIGHT INSTALLATION

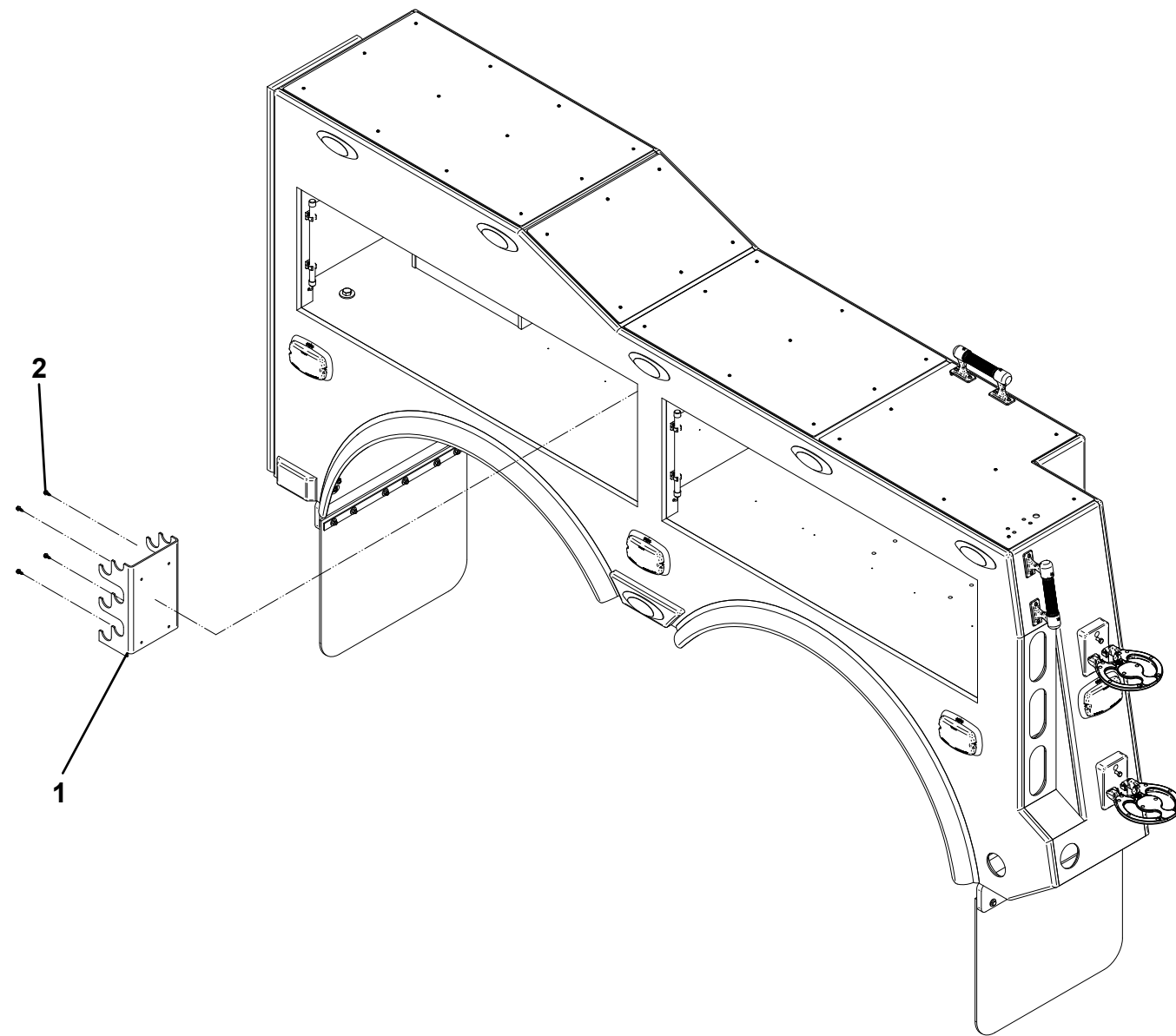


Item #4 Not Shown

PIN STORAGE INSTALLATION

ITEM	PART NO.	DESCRIPTION	QTY
1	1001166898	Bracket	2
2	1001141265	Screw, #14 x 0.75"	8

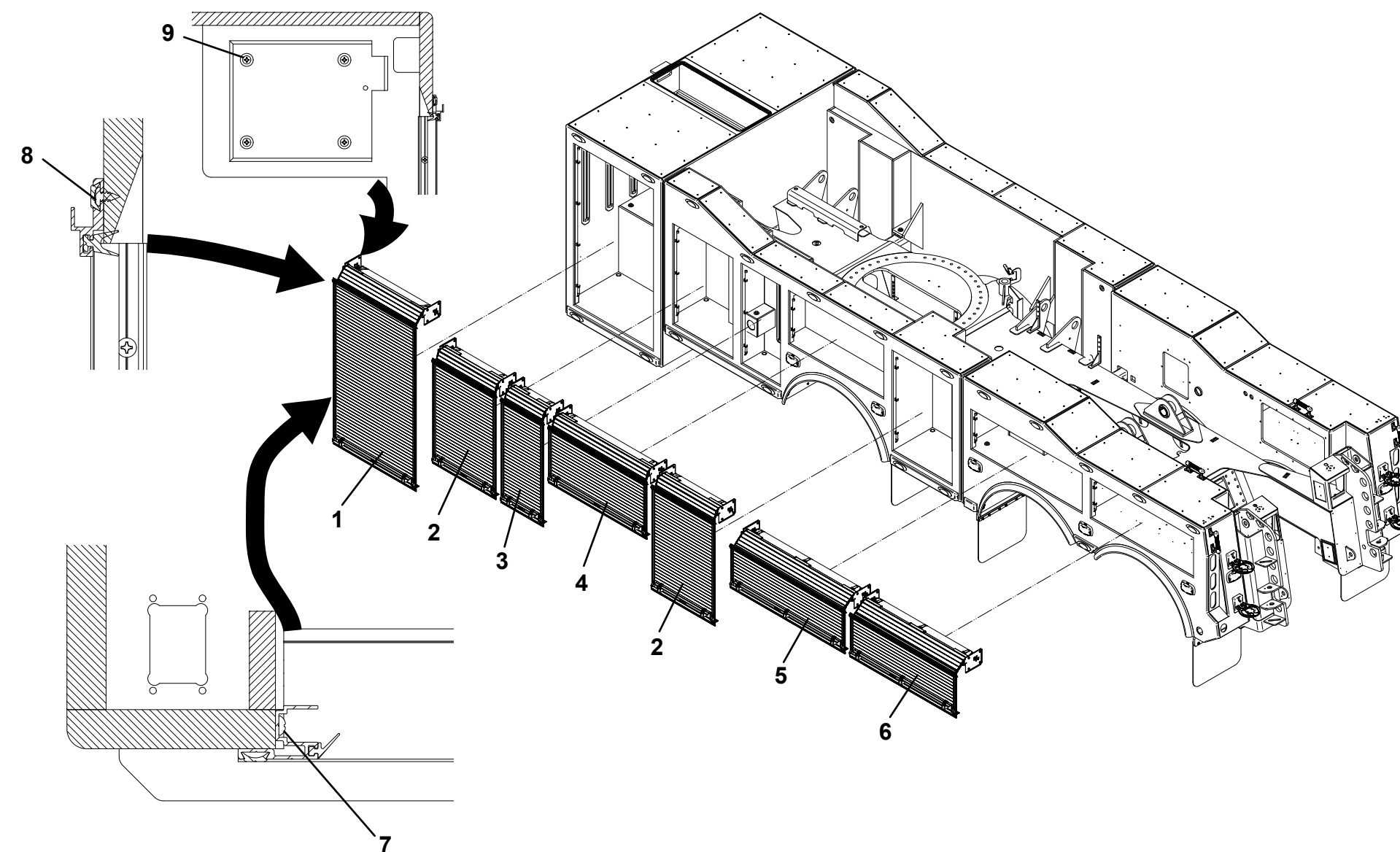
PIN STORAGE INSTALLATION



JFB BODY DOOR INSTALLATION

ITEM	PART NO.	DESCRIPTION	QTY
1	1001171674	Door, 40.25" X 70.56"	2
2	1001171669	Door, 30.38" X 44.00"	4
3	1001171670	Door, 19.88" X 44.00"	2
4	1001171671	Door, 48.00" X 23.44"	2
5	1001171672	Door, 56.13" X 17.54"	2
6	1001171673	Door, 52.00" X 17.54"	2
7	1001166322	Screw, #10 X 0.62"	96
8	1001172004	Screw, #10 X 0.38"	60
9	1001176936	Screw, #14 X 0.75"	112

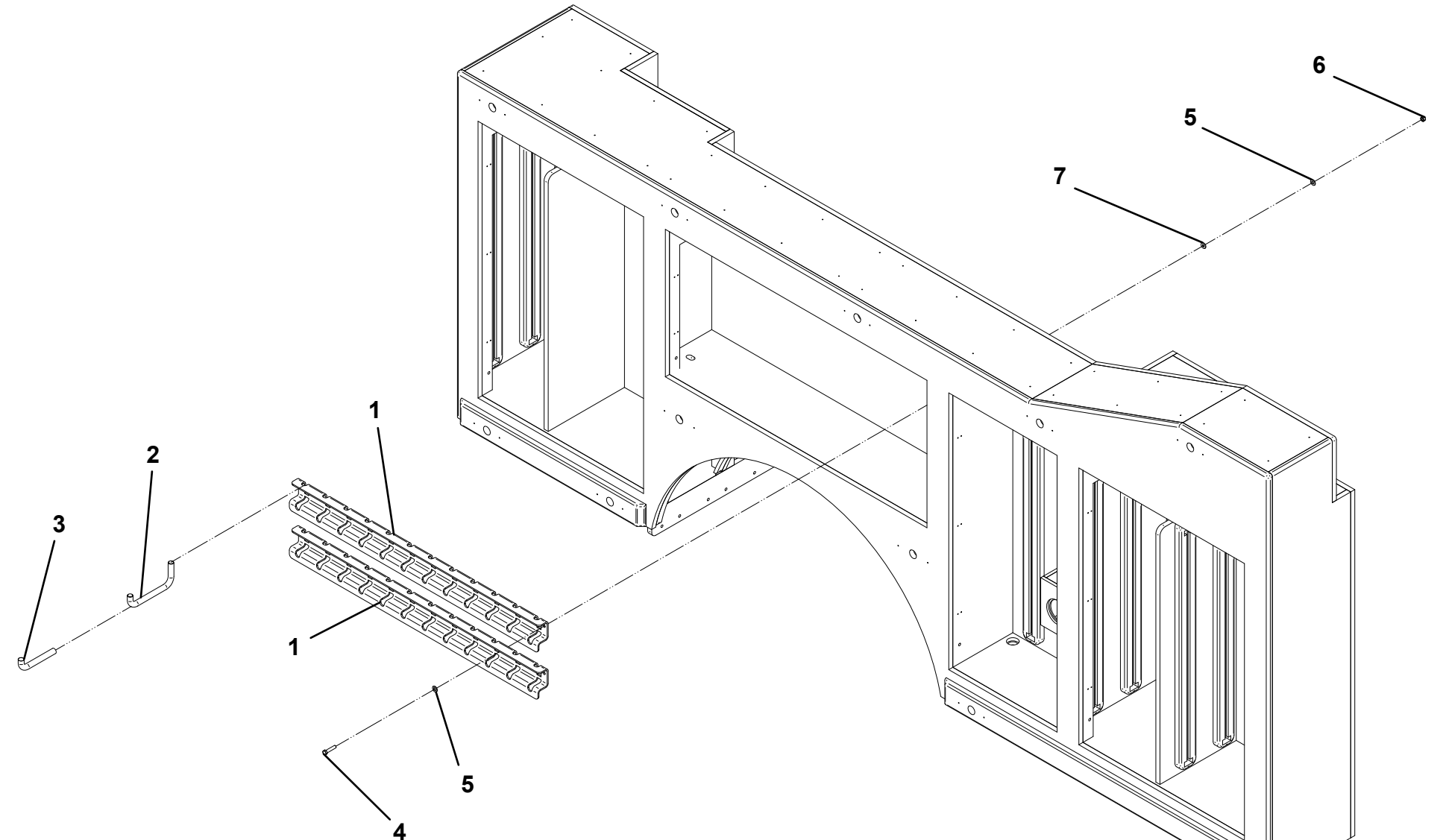
JFB BODY DOOR INSTALLATION



SHACKLE STORAGE RACK INSTALLATION

ITEM	PART NO.	DESCRIPTION	QTY
1	1001164601	Bracket	2
2	1001164614	Shackle Hook	24
3	7346000040	Tube	3.7ft
4	1001168544	Screw, 0.38"-16NC x 1.75"	10
5	7950160143	Flatwasher, 0.38"-16NC	20
6	7660162601	Locknut, 0.38"-16NC	10
7	1001166974	Washer, 0.38"ID	10

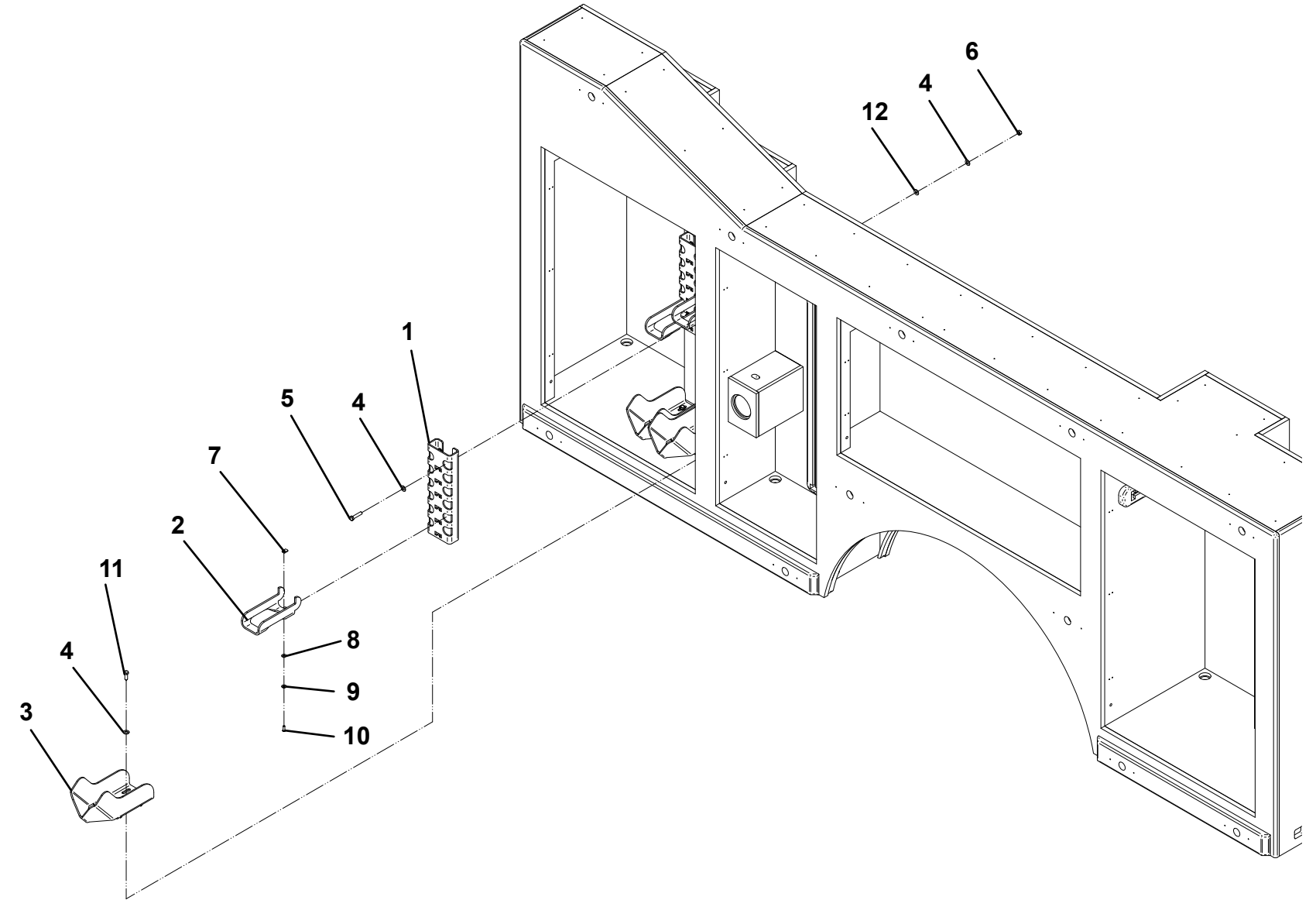
SHACKLE STORAGE RACK INSTALLATION



SNATCH BLOCK STORAGE RACK INSTALLATION

ITEM	PART NO.	DESCRIPTION	QTY
1	1001164558	Channel	6
2	1001164560	Bracket, Top Mount	6
3	1001164562	Bracket, Bottom Mount	6
4	7950160143	Flatwasher, 0.38"	72
5	1001168544	Screw, 0.38"-16NC x 1.75"	24
6	7660162601	Locknut, 0.38"-16UNC	24
7	1001168733	Nut, 0.25"-20NC	6
8	7950140143	Flatwasher, 0.25" ID	6
9	7950140003	Lockwasher, 0.25"	6
10	7114140618	Capscrew, 0.25"-20NC x 0.75"	6
11	1001168545	Screw, 0.38" x 1.25"	24
12	1001166974	Washer, 0.38" ID Rubber	24

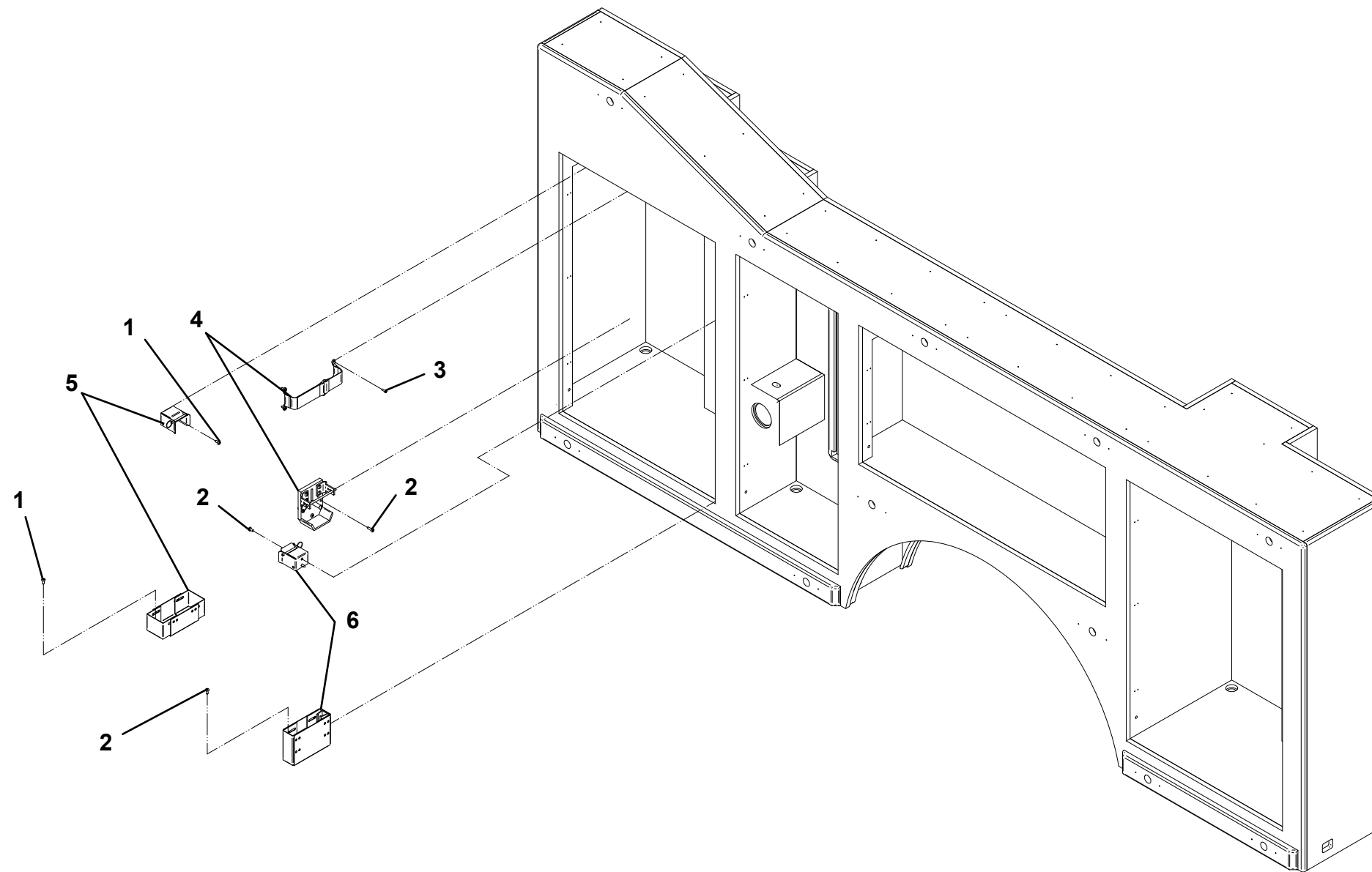
SNATCH BLOCK STORAGE RACK INSTALLATION



TOOL STORAGE INSTALLATION

ITEM	PART NO.	DESCRIPTION	QTY
1	0751406	Screw, 0.25" x 0.75"	4
2	0751408	Screw, 0.25" x 1.00"	7
3	0751006	Screw, #10 x 0.75"	4
4	1001175248	Bolt Cutter Mount	1
5	1001175249	Sledge Hammer Mount	1
6	1001175252	Ax Mount	1

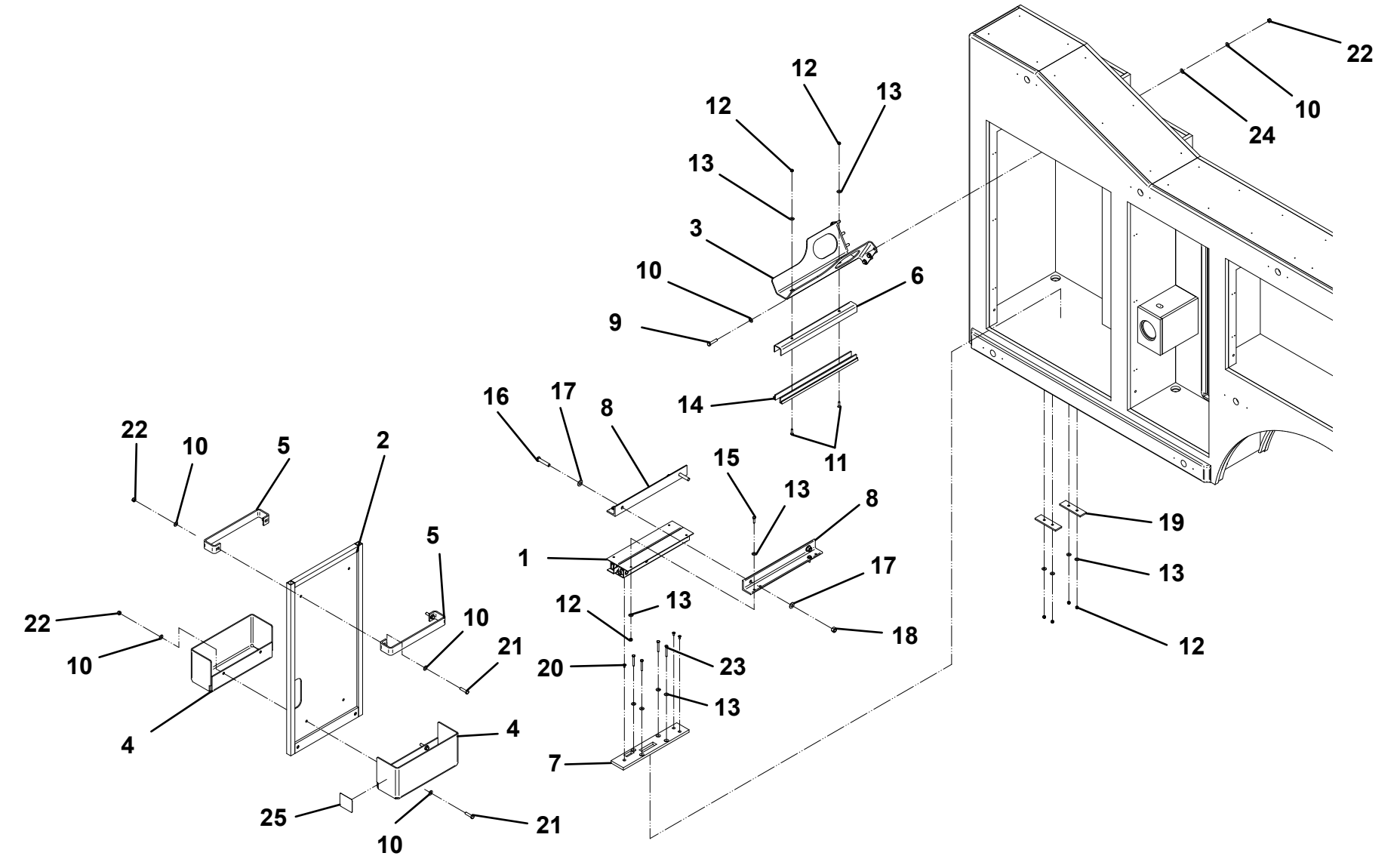
TOOL STORAGE INSTALLATION



SLIDE OUT CHAIN BOARD INSTALLATION

ITEM	PART NO.	DESCRIPTION	QTY
1	7821000009	Slide Lock, Bottom Mount	1
2	1001164931	Chain Board	1
3	1001164872	Bracket, Top	1
4	1001138022	Tool Holder, Bottom	2
5	1001138021	Tool Holder, Top	2
6	1001164929	Channel	1
7	1001141149	Bar	1
8	4017001727	Angle	2
9	1001168544	Screw, 0.38"-16 X 1.75"	6
10	7950160141	Flatwasher, 0.38" ID	20
11	7114140823	Capscrew, 0.25"-20UNC x 1.00"	2
12	7660142601	Locknut, 0.25" -20UNC	10
13	7950140163	Flatwasher, 0.25" ID	18
14	1001164930	Pad	2
15	7115140850	Bolt, 0.25"-20UNC X 1.00"	4
16	7115182050	Capscrew, 0.50"-13UNC X 2.50"	2
17	7950180143	Flatwasher, 0.50" ID	4
18	7660182601	Locknut, 0.50"-13UNC	2
19	1001169140	Bar	2
20	7114140423	Capscrew, 0.25"-20NC X 0.50"	3
21	7115161250	Capscrew, 0.38"-16NC x 1.50"	4
22	7660162601	Locknut, 0.38"-16UNC	10
23	7115141650	Bolt, 0.25"-20NC X 2.00"	4
24	1001166974	Washer, 0.38" ID	6
25	1001170092	Decal, Toolboard Capacity	1

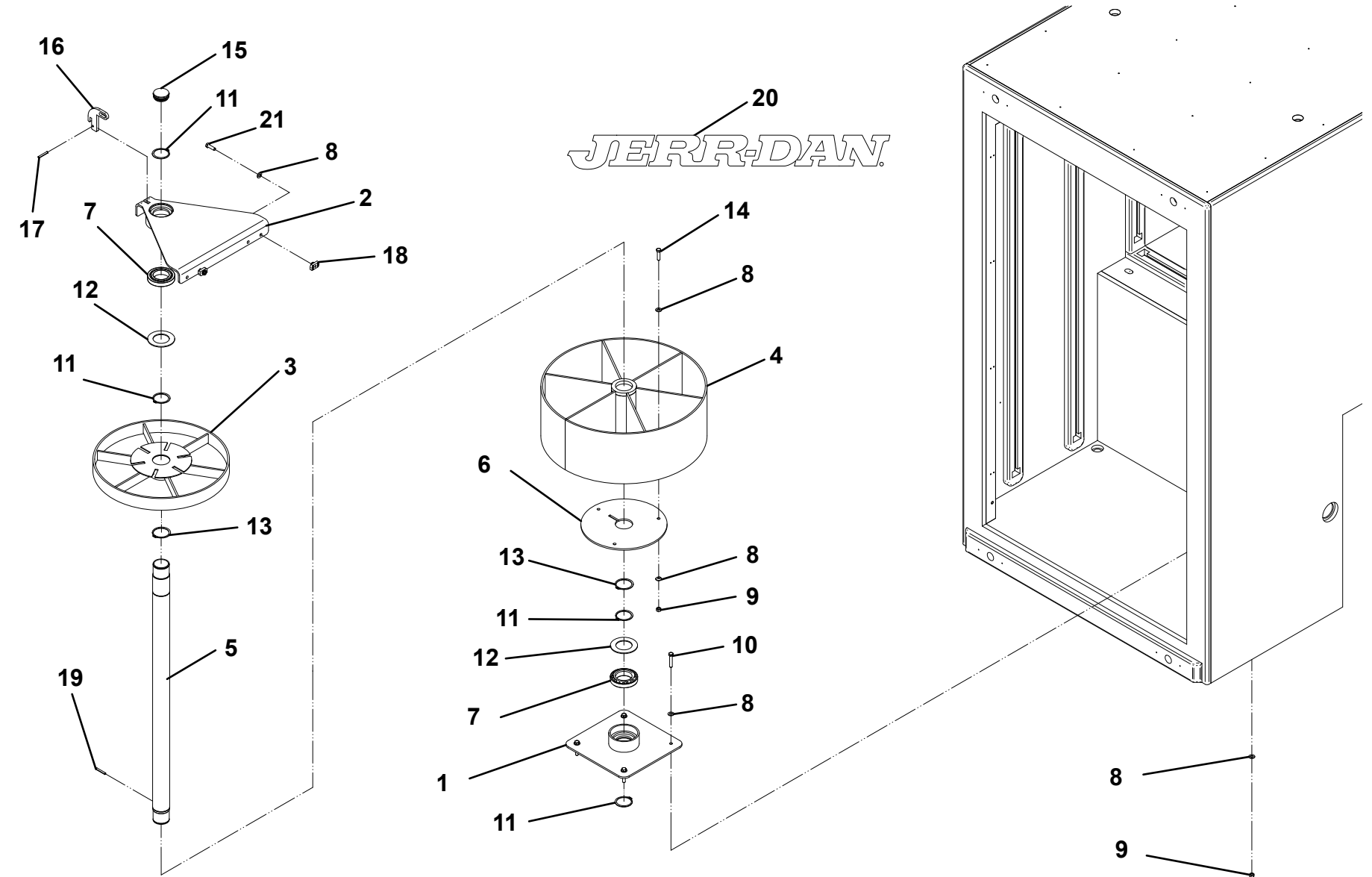
SLIDE OUT CHAIN BOARD INSTALLATION



ROTARY CHAIN RACK INSTALLATION

ITEM	PART NO.	DESCRIPTION	QTY
1	1001165571	Bracket	1
2	1001165570	Bracket	1
3	1001165587	Bracket	1
4	1001169144	Tray	1
5	1001165661	Tube	1
6	1001165652	Support	1
7	1001169076	Bearing	2
8	7950160143	Flatwasher, 0.38" ID	16
9	7660162604	Locknut, 0.38"-16NC	7
10	1001169083	Bolt, 0.38"-16NC X 2.00"	4
11	1001169064	Retaining Ring	4
12	1001165584	Plate	2
13	1001169063	Retaining Ring	2
14	1001168993	Screw, 0.38" X 1.50"	3
15	1001169078	Plug	1
16	1001165564	Plate	1
17	7690142845	Pin	3
18	1001166644	Channel Spring, 0.38"-16NC	2
19	1001169080	Bolt, 0.38"-16NC X 1.25"	2
20	7330000533	Decal, Jerr-Dan Logo	1

ROTARY CHAIN RACK INSTALLATION

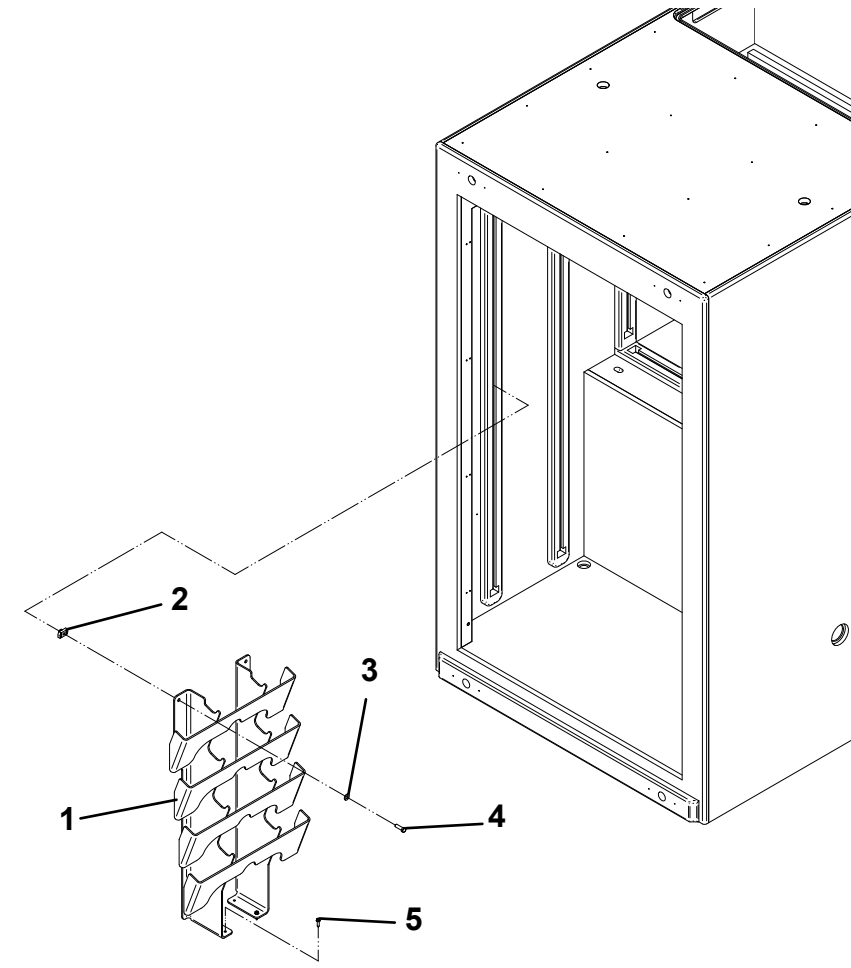


CHAIN BINDER STORAGE INSTALLATION

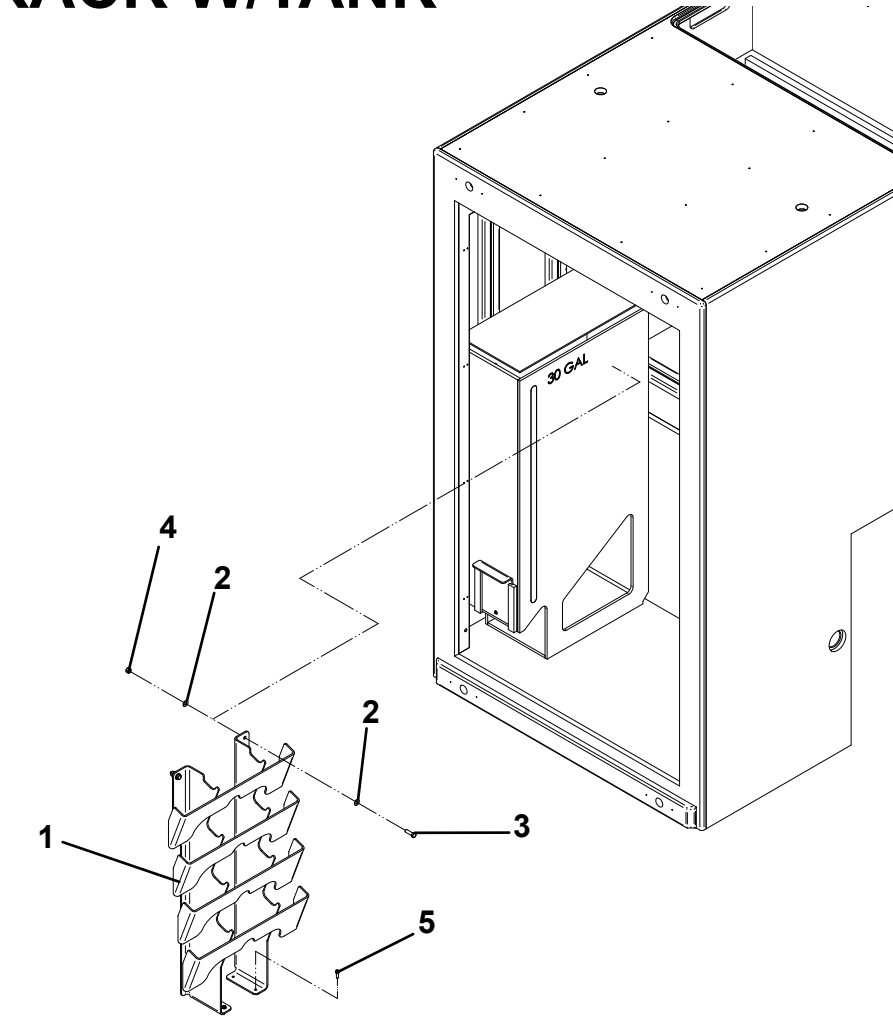
ITEM	PART NO.	DESCRIPTION	QTY
Chain Binder Storage W/O Tank			
1	1001165687	Bracket	1
2	1001166644	Channel Spring, 0.38"-16NC	4
3	7950160143	Flatwasher, 0.38" ID	4
4	1001169080	Bolt, 0.38"-16NC x 1.25"	4
5	7790141651	Screw, 0.25" x 1.00"	2
Chain Binder Storage W/Tank			
1	1001165687	Bracket	1
2	7950160143	Flatwasher, 0.38" ID	4
3	1001169080	Bolt, 0.38"-16NC x 1.25"	4
4	7660162604	Locknut, 0.38"-16NC	4
5	7790141651	Screw, 0.25" x 1.00"	2

CHAIN BINDER STORAGE INSTALLATION

CHAIN BINDER RACK W/O TANK



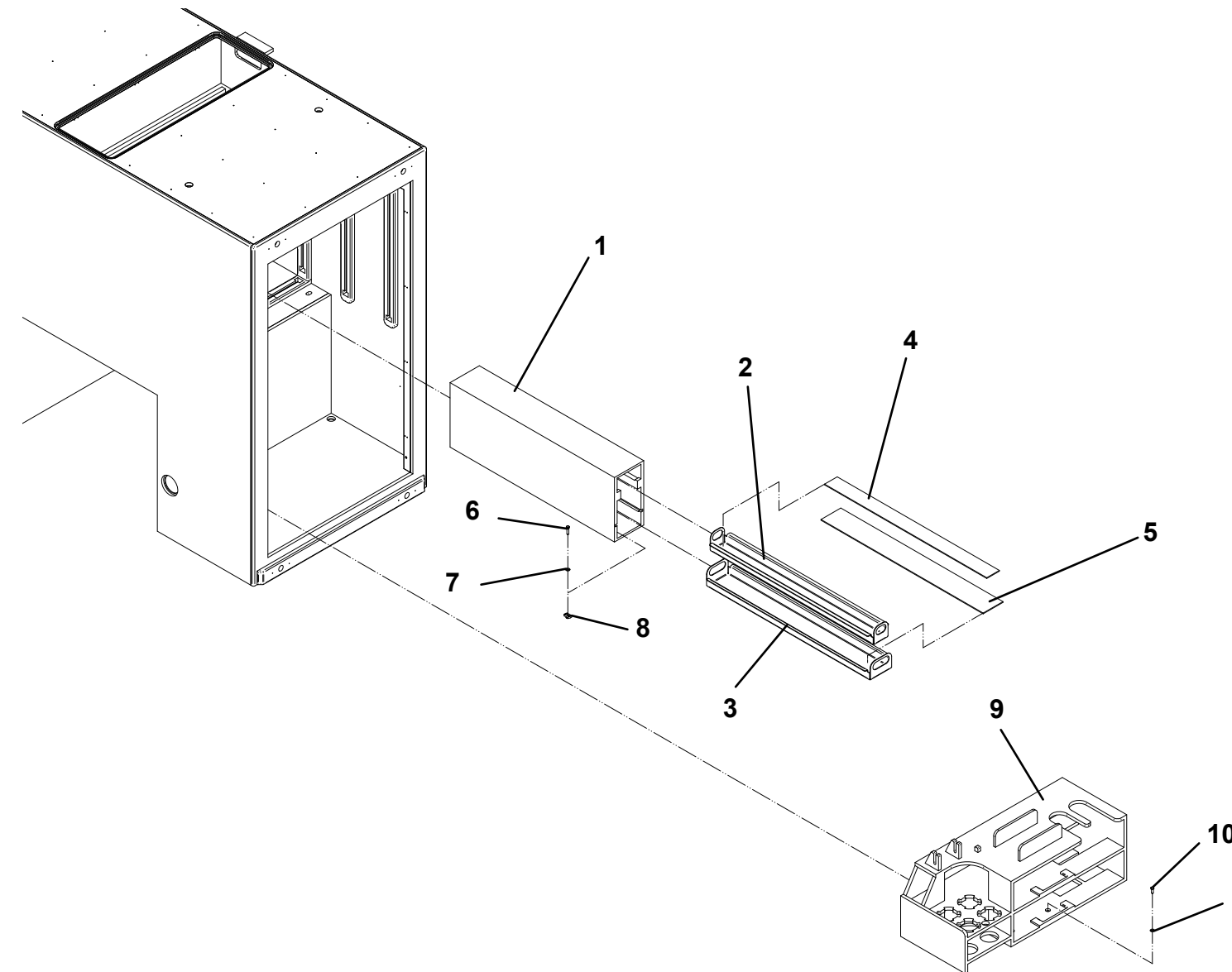
CHAIN BINDER RACK W/TANK



TIRE LIFT STORAGE INSTALLATION

ITEM	PART NO.	DESCRIPTION	QTY
1	1001170971	Bracket	1
2	1001165862	Channel, Small	1
3	1001165863	Channel, Large	1
4	1001170968	Pad, Small	1
5	1001170970	Pad, Large	1
6	1001168993	Screw, 0.38" x 1.50"	4
7	7950160143	Flatwasher, 0.38" ID	8
8	1001166644	Channel Spring, 0.38"-16NC	4
9	1001170443	Bus Arm Storage	1
10	1001168545	Screw, 0.38" x 1.25"	4

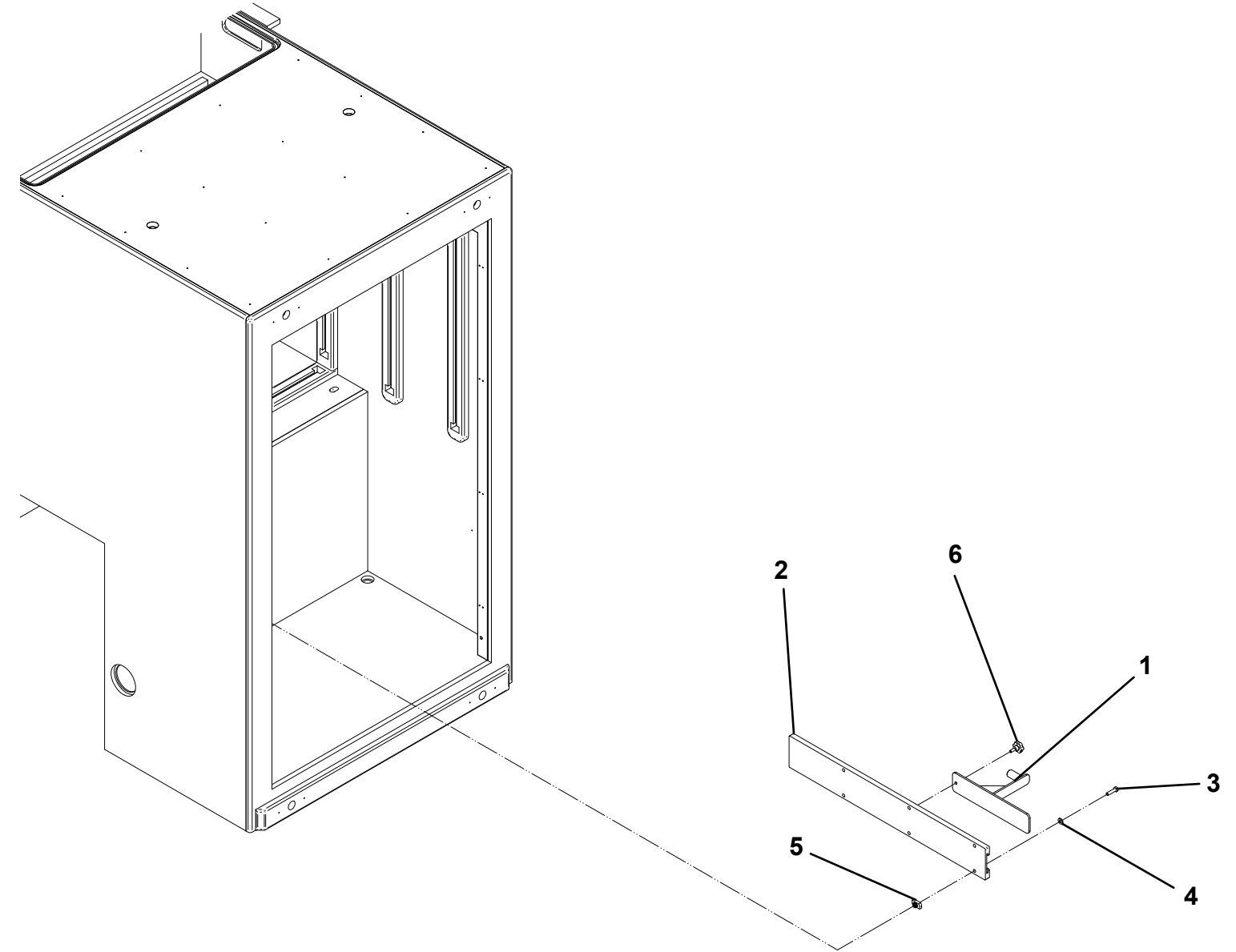
TIRE LIFT STORAGE INSTALLATION



TRAFFIC CONE STORAGE INSTALLATION

ITEM	PART NO.	DESCRIPTION	QTY
1	1001165991	Support	1
2	1001170434	Support	1
3	1001168993	Screw, 0.38" x 1.50"	6
4	7950160143	Flatwasher, 0.38" ID	6
5	1001166644	Channel Spring, 0.38"-16NC	6
6	1001170425	Bolt, 0.31"-18NC x 0.75"	1

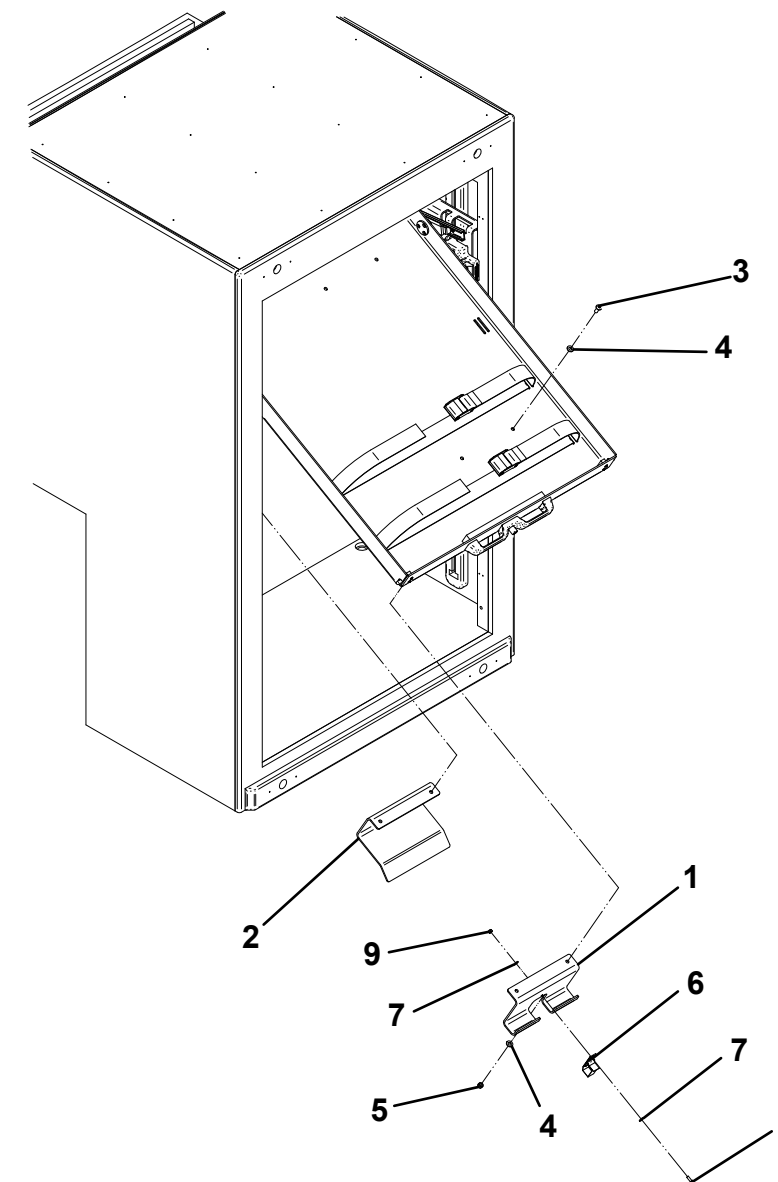
TRAFFIC CONE STORAGE INSTALLATION



LADDER STORAGE INSTALLATION

ITEM	PART NO.	DESCRIPTION	QTY
1	1001166401	Bracket, Ladder Hook	1
2	1001166402	Bracket, Ladder Stop	1
3	7114160818	Capscrew, 0.38"-16NC X 1.00"	5
4	7950160143	Flatwasher, 0.38" ID	10
5	7660162601	Locknut, 0.38"-16UNC	5
6	1001167286	Tie Strap	1
7	7950140143	Flatwasher, 0.25"	2
8	7114140618	Capscrew, 0.25"-20 x 0.75"	1
9	7660142601	Locknut, 0.25"-20UNC	1

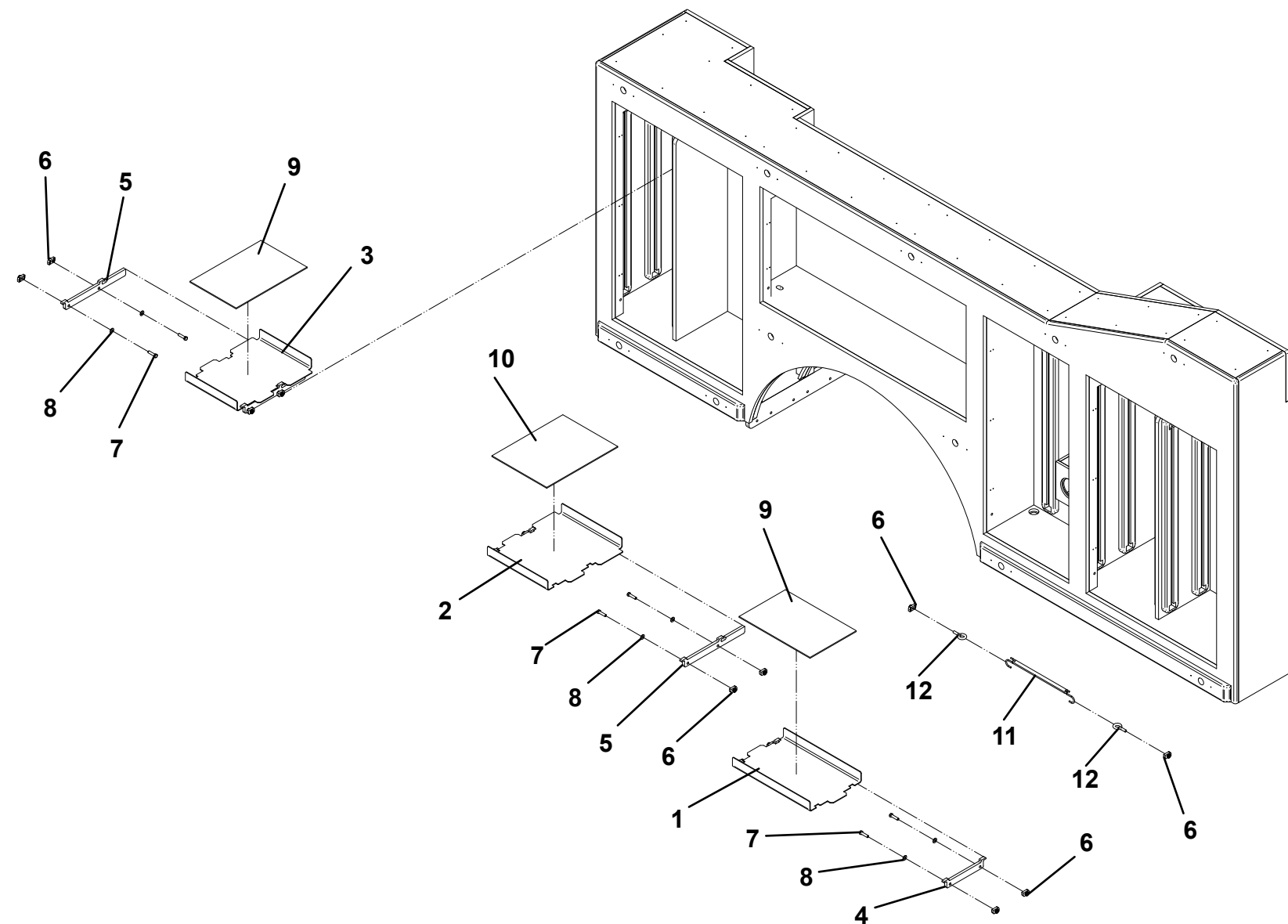
LADDER STORAGE INSTALLATION



MID BODY SHELVING INSTALLATION

ITEM	PART NO.	DESCRIPTION	QTY
1	1001164718	Shelf	1
2	1001164719	Shelf	4
3	1001164720	Shelf	4
4	1001168985	Shelf Support, Short	2
5	1001168986	Shelf Support, Long	16
6	1001166644	Channel Spring, 0.38"-16 UNC	40
7	1001168993	Screw, 0.38" X 1.50"	36
8	7950160143	Flatwasher, 0.38" ID	36
9	1001174342	Pad	5
10	1001174341	Pad	4
11	1001175233	Strap	2
12	1001175231	Eyebolt, 0.38"-16NC	4

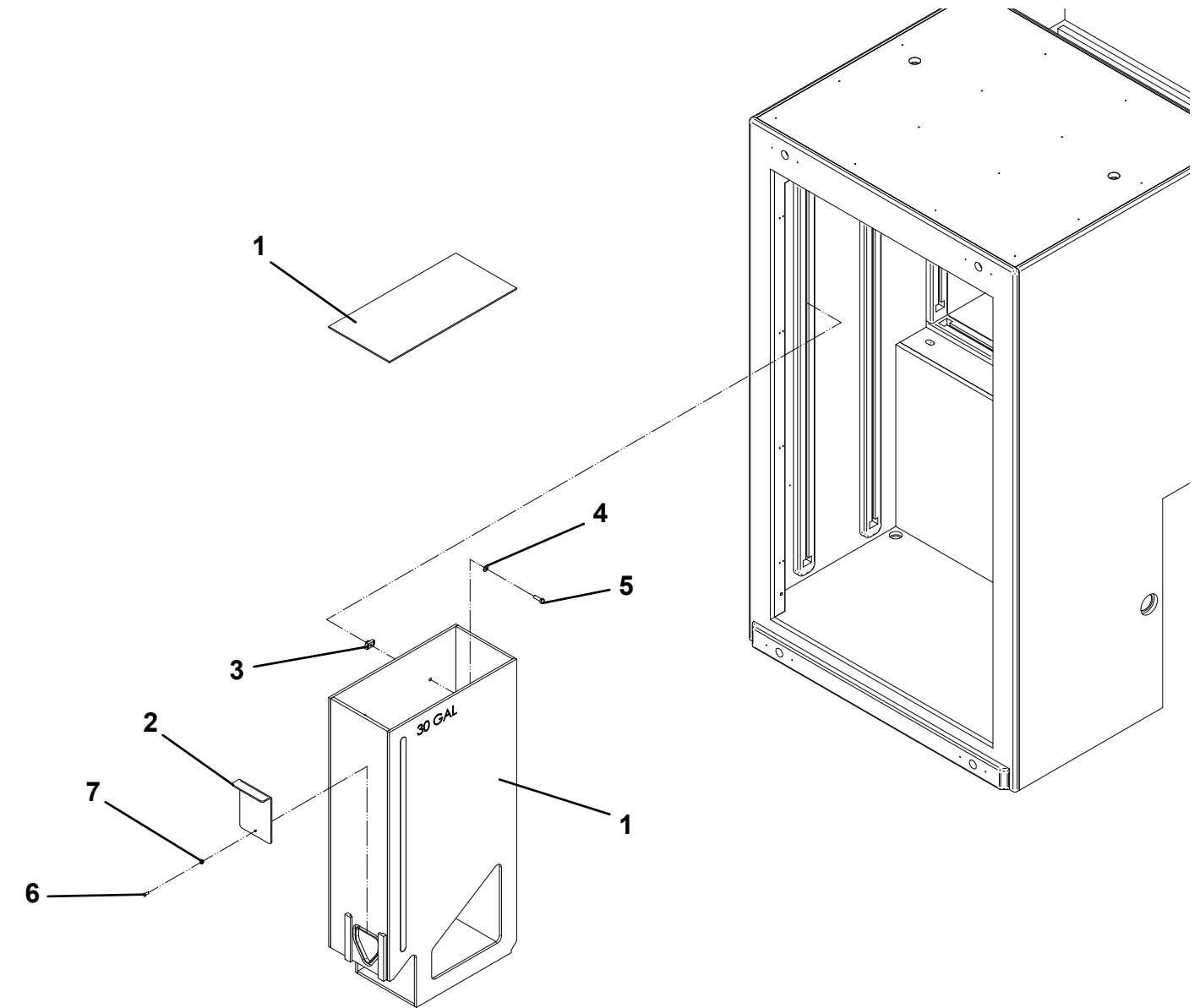
MID BODY SHELVING INSTALLATION



STAY DRY SILO INSTALLATION

ITEM	PART NO.	DESCRIPTION	QTY
1	1001170528	Stay Dry Silo	1
2	1001170532	Door	1
3	1001166644	Channel Spring, 0.38"-16NC	5
4	7950160143	Flatwasher, 0.38" ID	5
5	1001169080	Bolt, 0.38"-16NC X 1.25"	5
6	7114140518	Capscrew, 0.25"-20NC X 0.62"	1
7	7660142604	Locknut, 0.25"-20NC	1

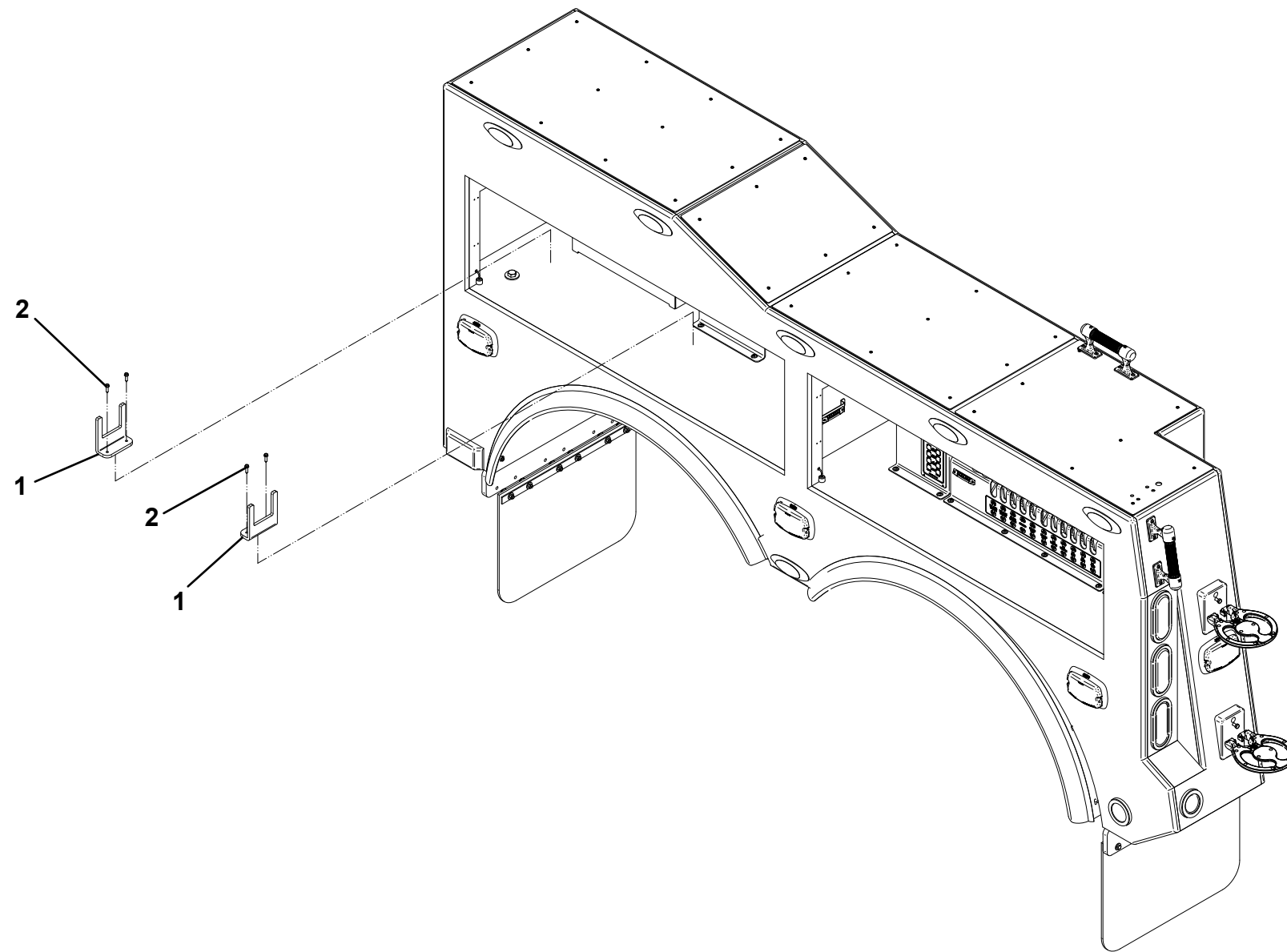
STAY DRY SILO INSTALLATION



TOW LIGHT STORAGE INSTALLATION

ITEM	PART NO.	DESCRIPTION	QTY
1	1001170618	Bracket	2
2	7790141651	Screw, 0.25" x 1.00"	4

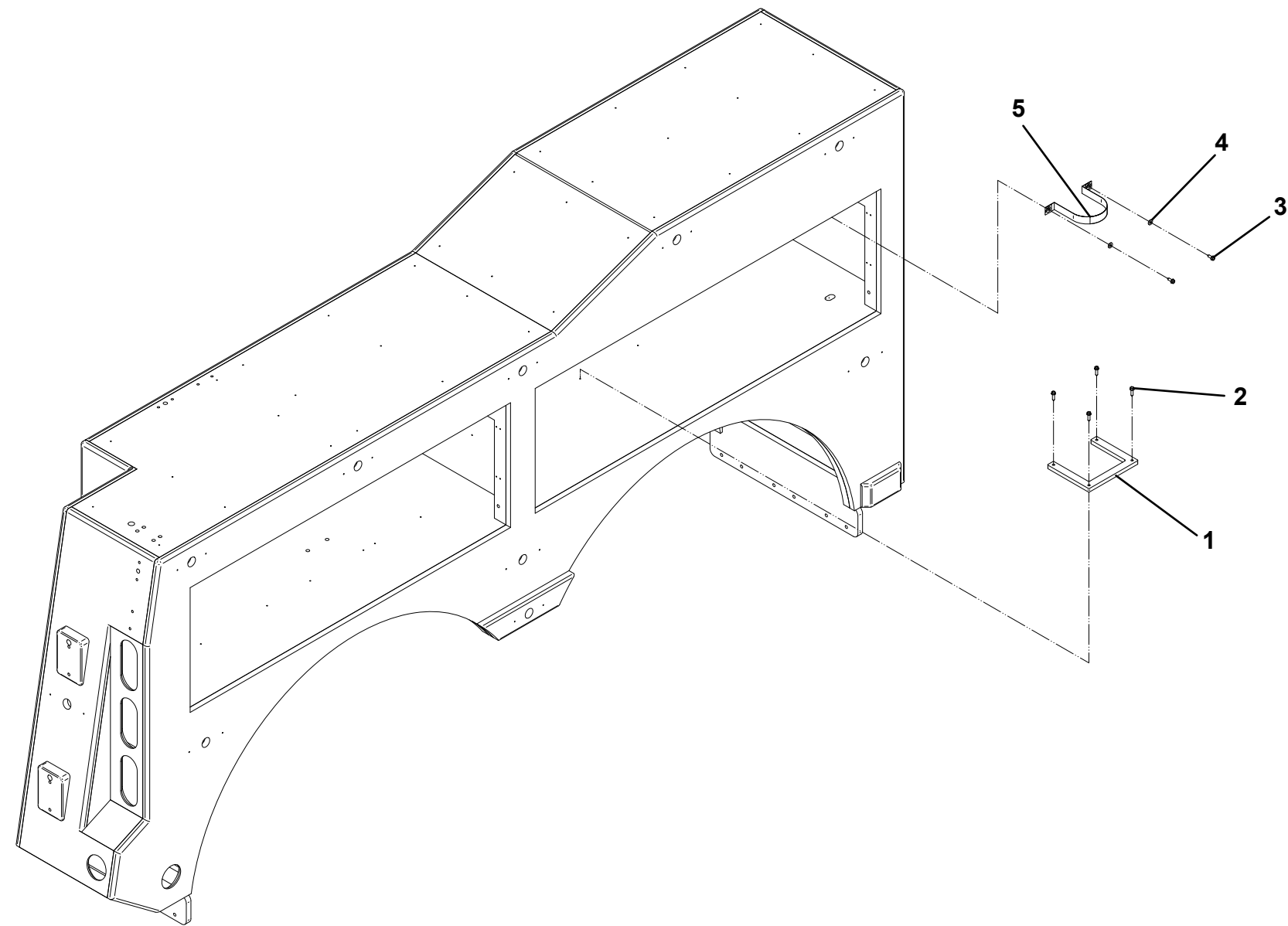
TOW LIGHT STORAGE INSTALLATION



BOTTLE JACK STORAGE INSTALLATION

ITEM	PART NO.	DESCRIPTION	QTY
1	1001170839	Bracket	1
2	7790141651	Screw, 0.25" x 1.00"	4
3	7790141251	Screw, 0.25" x 0.75"	2
4	7950140143	Flatwasher, 0.25" ID	2
5	1001167286	Strap	2

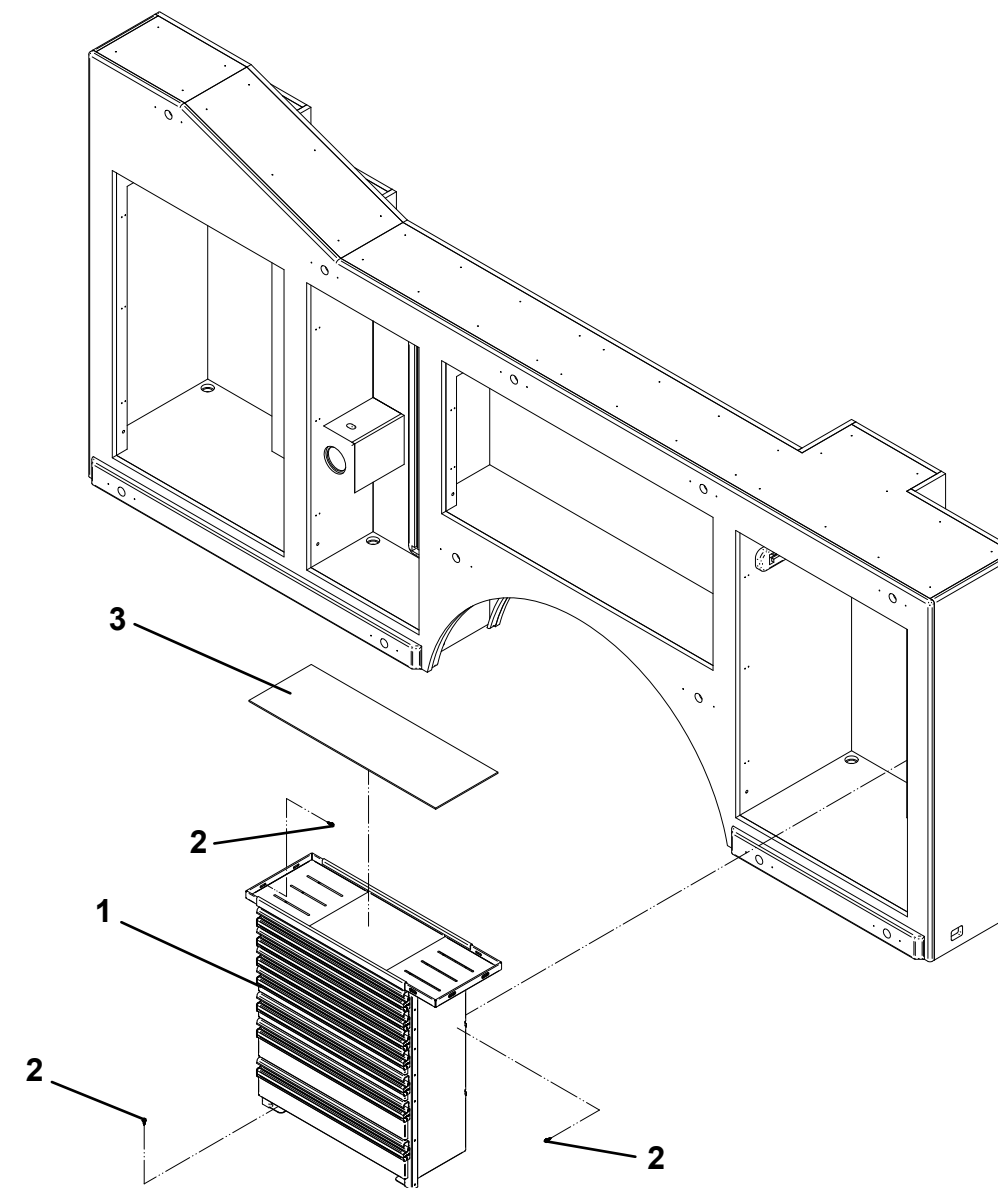
BOTTLE JACK STORAGE INSTALLATION



TOOLBOX INSTALLATION

ITEM	PART NO.	DESCRIPTION	QTY
1	1001170846	Toolbox	1
2	1001141265	Screw, #14 x 0.75"	13
3	1001170995	Pad	1

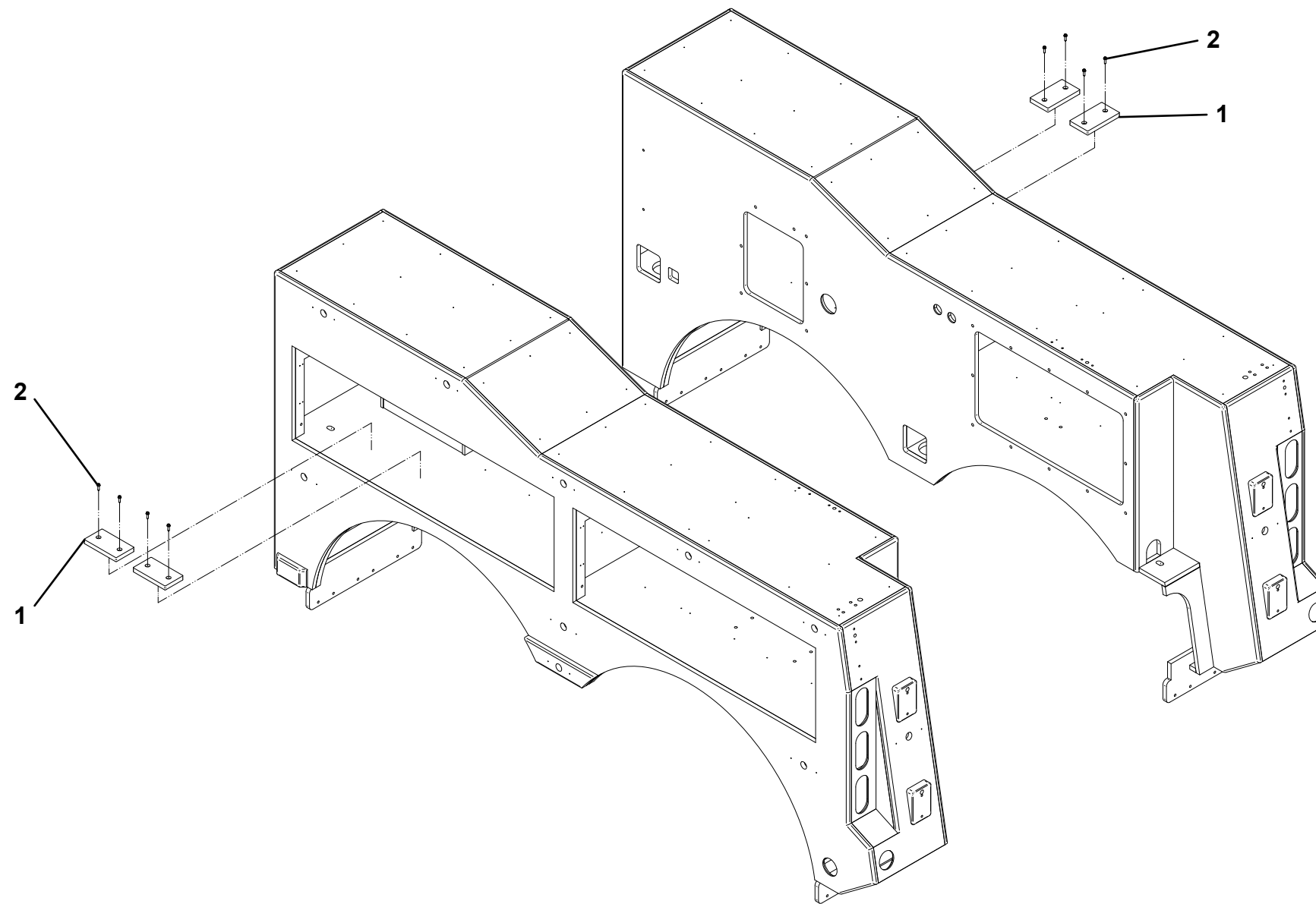
TOOLBOX INSTALLATION



WHEEL CHOCK STORAGE INSTALLATION

ITEM	PART NO.	DESCRIPTION	QTY
1	1001170707	Wheel Chock Stops	4
2	7790141651	Screw, 0.25" x 1.00"	8

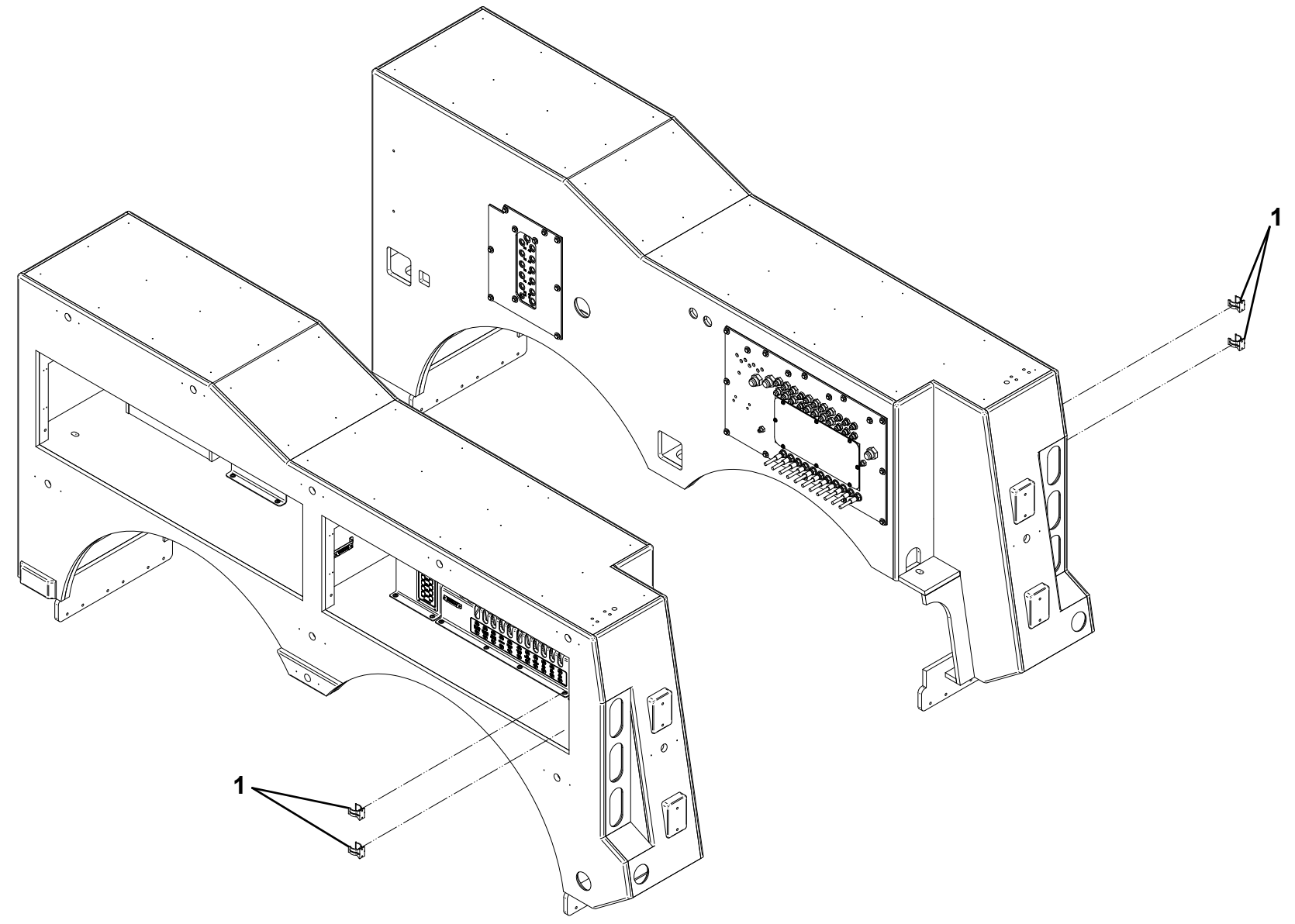
WHEEL CHOCK STORAGE INSTALLATION



FLASHLIGHT MOUNT INSTALLATION

ITEM	PART NO.	DESCRIPTION	QTY
1	1001170725	Mount w/ Mounting Screws	2

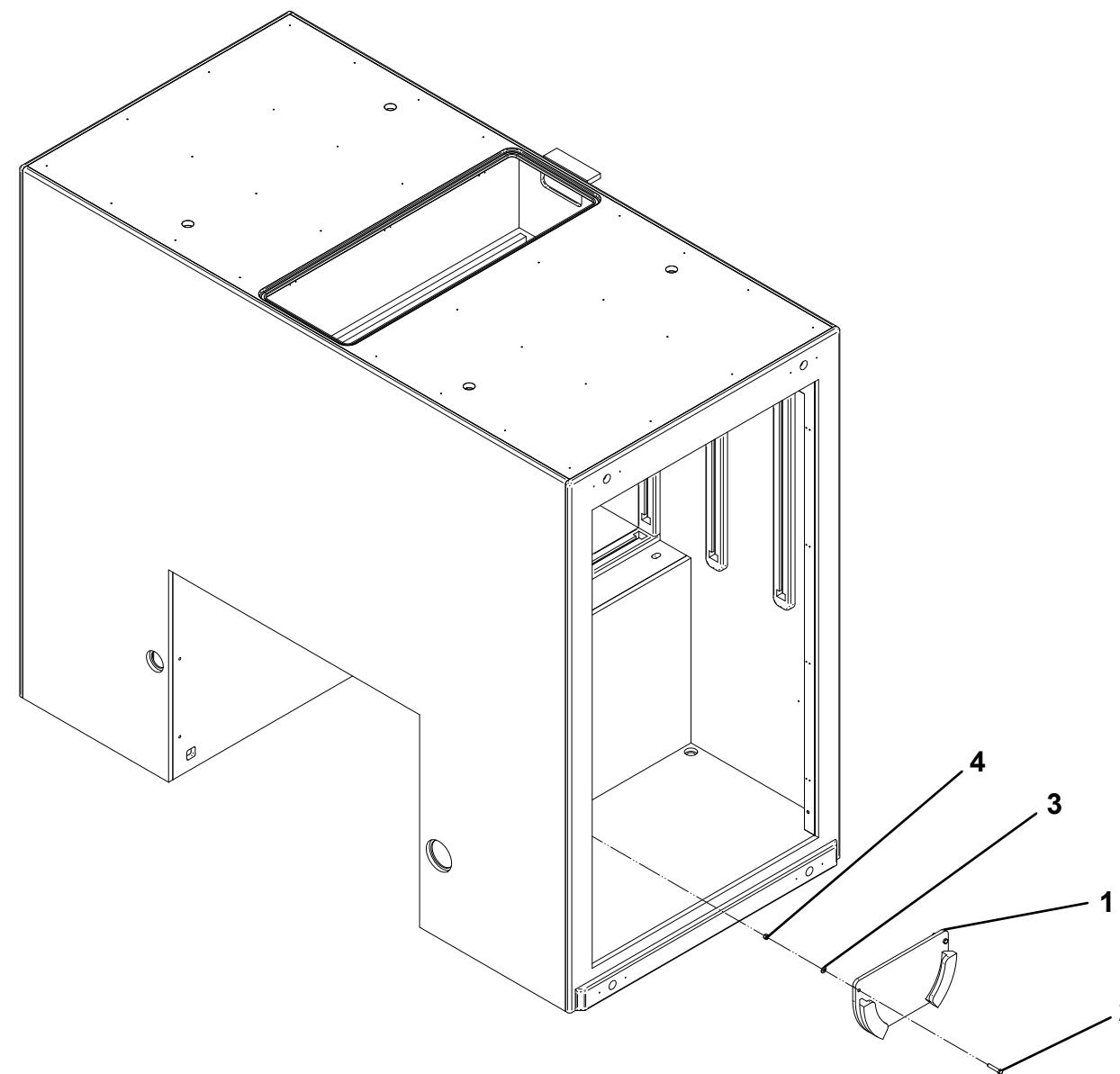
FLASHLIGHT MOUNT INSTALLATION



FIFTH WHEEL STORAGE INSTALLATION

ITEM	PART NO.	DESCRIPTION	QTY
1	1001170550	Bracket	1
2	1001169083	Bolt, 0.38"-16NC x 2.00"	2
3	7950160143	Flatwasher, 0.38" ID	2
4	7660162601	Locknut, 0.38"-16NC	2

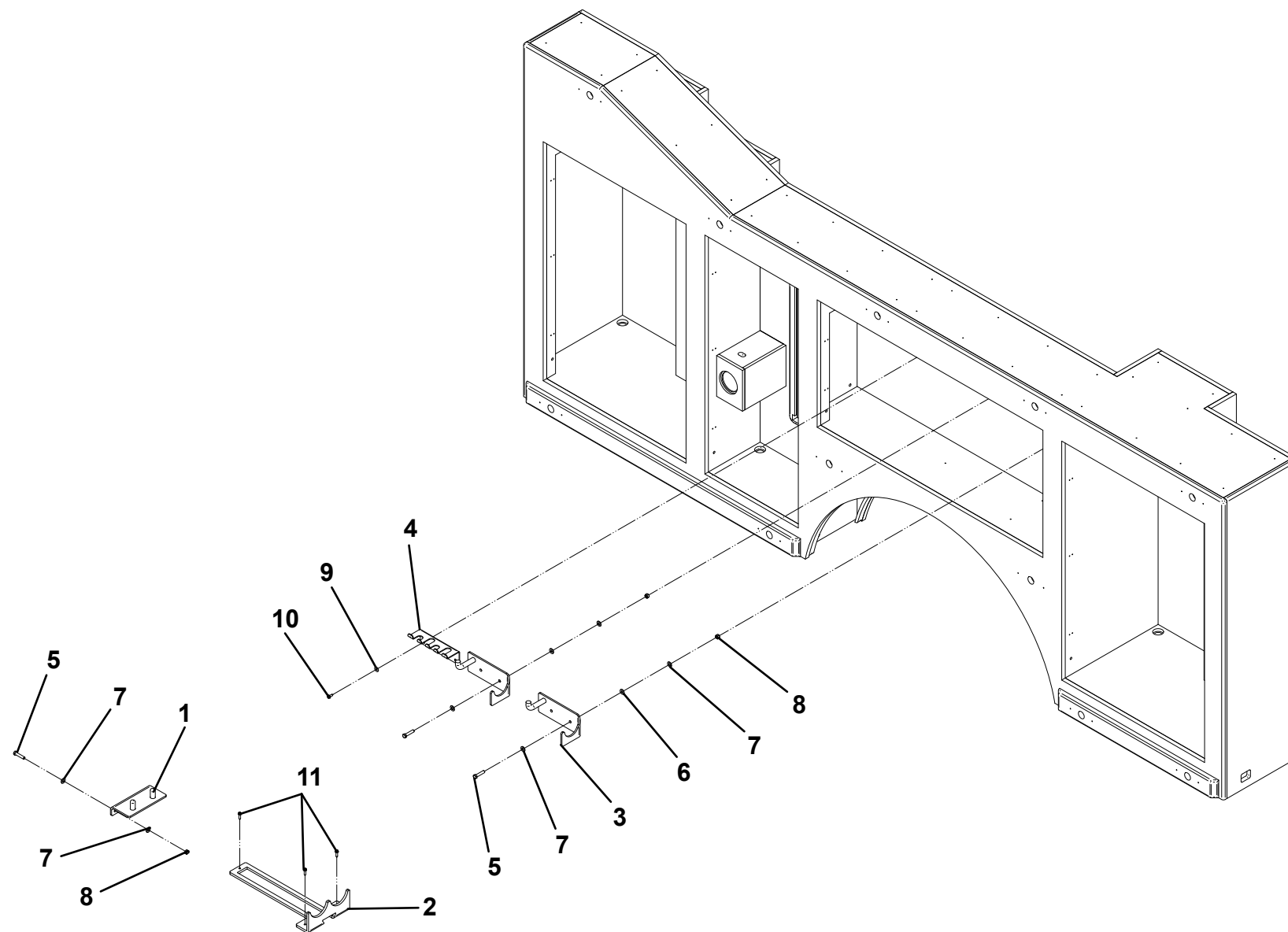
FIFTH WHEEL STORAGE INSTALLATION



SPREADER BAR RACK INSTALLATION

ITEM	PART NO.	DESCRIPTION	QTY
1	1001174138	Support, Front	1
2	1001174137	Support, Rear	1
3	1001174140	Support, Head	2
4	4178000678	Bracket	1
5	1001168544	Screw, 0.38"-16NC x 1.75"	6
6	1001166974	Washer, 0.38" ID Rubber	4
7	7950160143	Flatwasher, 0.38" ID	12
8	7660162601	Locknut, 0.38"-16NC	6
9	7950140153	Flatwasher, 0.25" ID	2
10	7790141251	Screw, 0.25" x 0.75"	2
11	7790141651	Screw, 0.25" x 1.00"	3

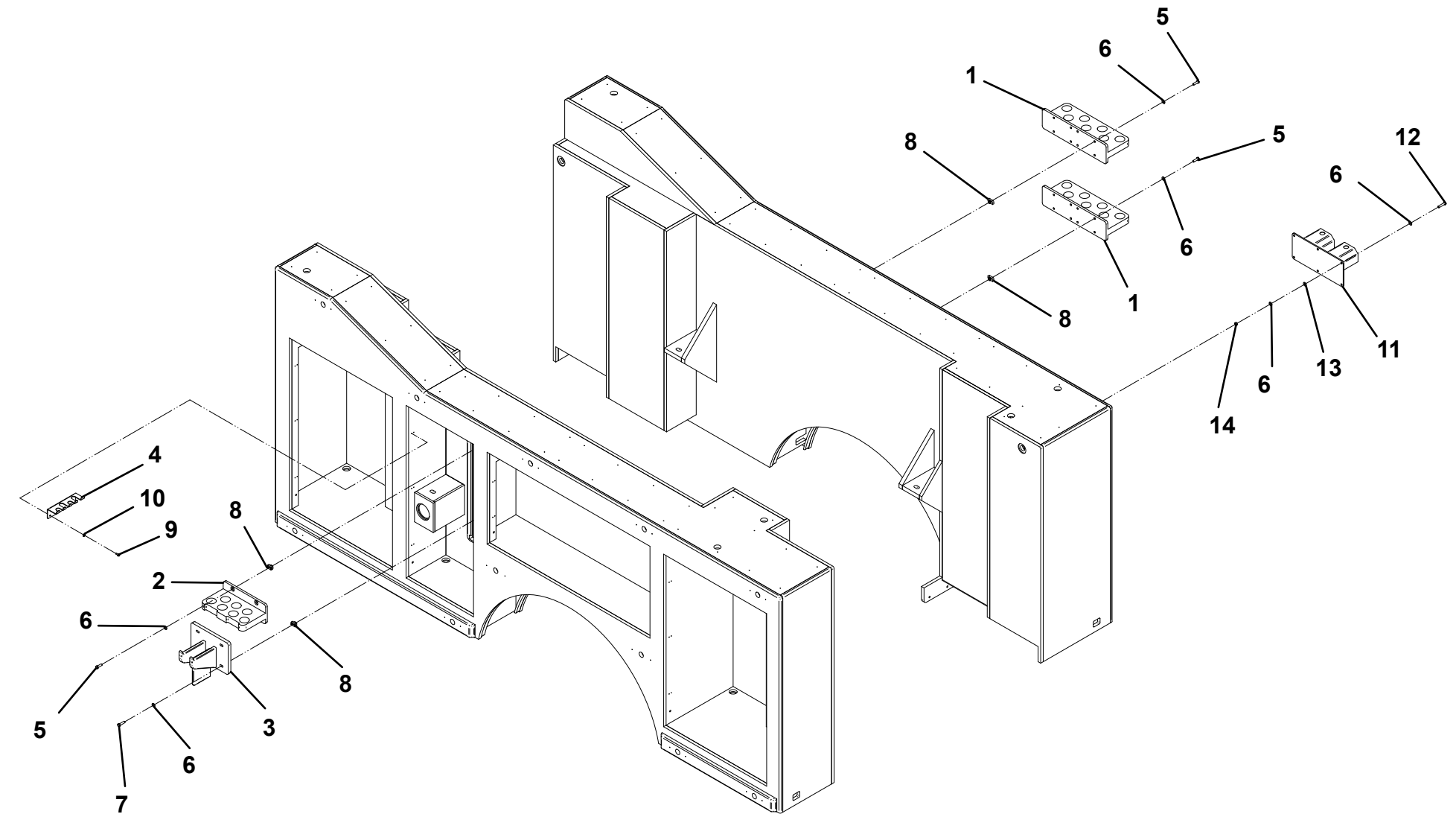
SPREADER BAR RACK INSTALLATION



FRAME FORK STORAGE INSTALLATION

ITEM	PART NO.	DESCRIPTION	QTY
1	1001170141	Bracket	2
2	1001170143	Bracket	1
3	1001170139	Bracket	1
4	1001160799	Bracket	1
5	1001169080	Bolt, 0.38"-16 X 1.25"	12
6	7950160143	Flatwasher, 0.38"	28
7	1001168993	Screw, 0.38" X 1.50"	4
8	1001166644	Nut, 0.38"-16	16
9	7790141251	Screw, 0.25" x 0.75"	2
10	7950140143	Flatwasher, 0.25"	2
11	1001173737	End Caps	1
12	1001168544	Screw, 0.38"-16 x 1.75"	6
13	1001166974	Washer, 0.38"	6
14	7660162601	Locknut, 0.38"-16 UNC	6

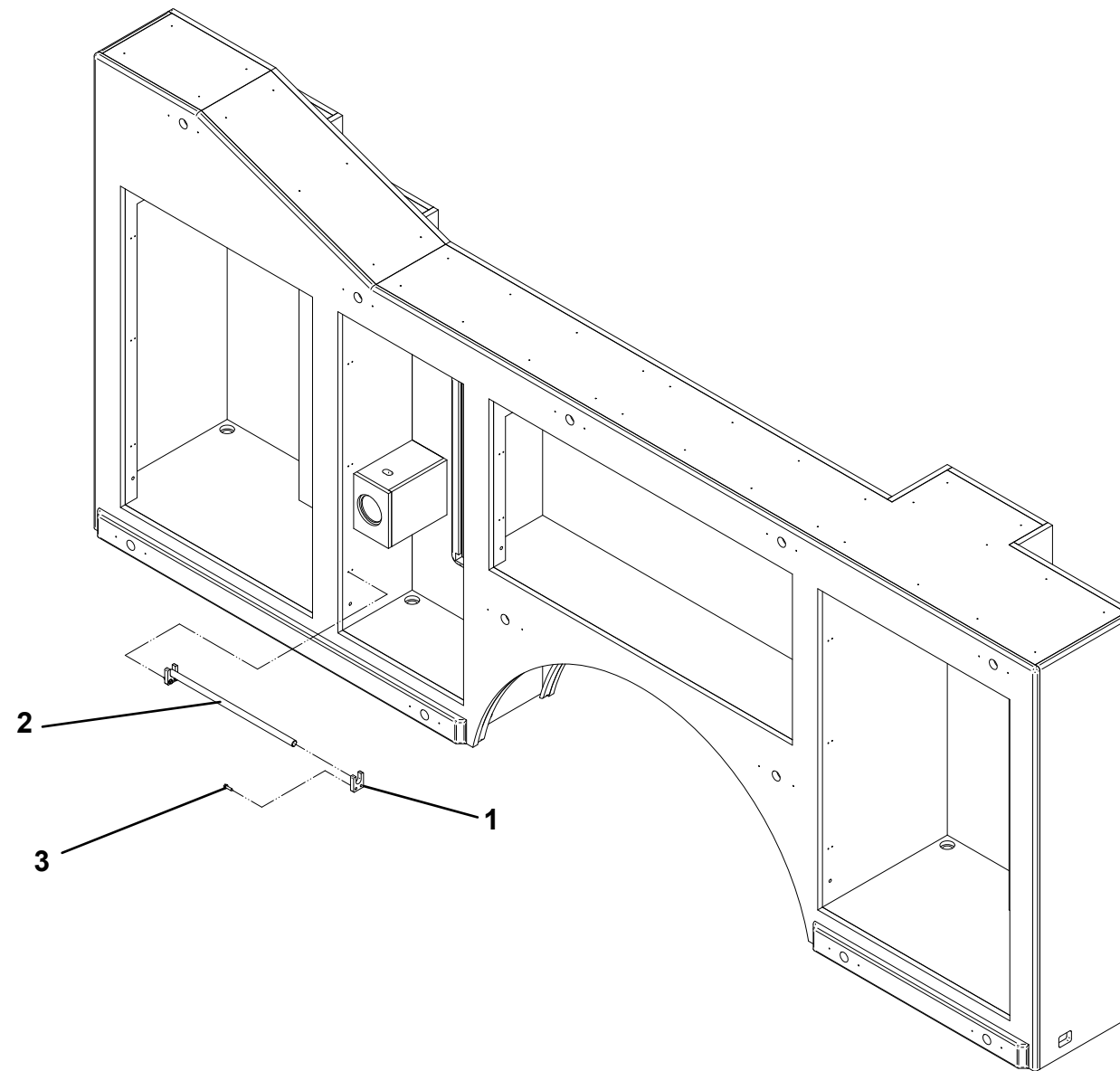
FRAME FORK STORAGE INSTALLATION



FORK RISER STORAGE INSTALLATION

ITEM	PART NO.	DESCRIPTION	QTY
1	1001175064	Bracket	2
2	7806000008	Rod	1
3	7790141651	Screw, 0.25" x 1.00"	4

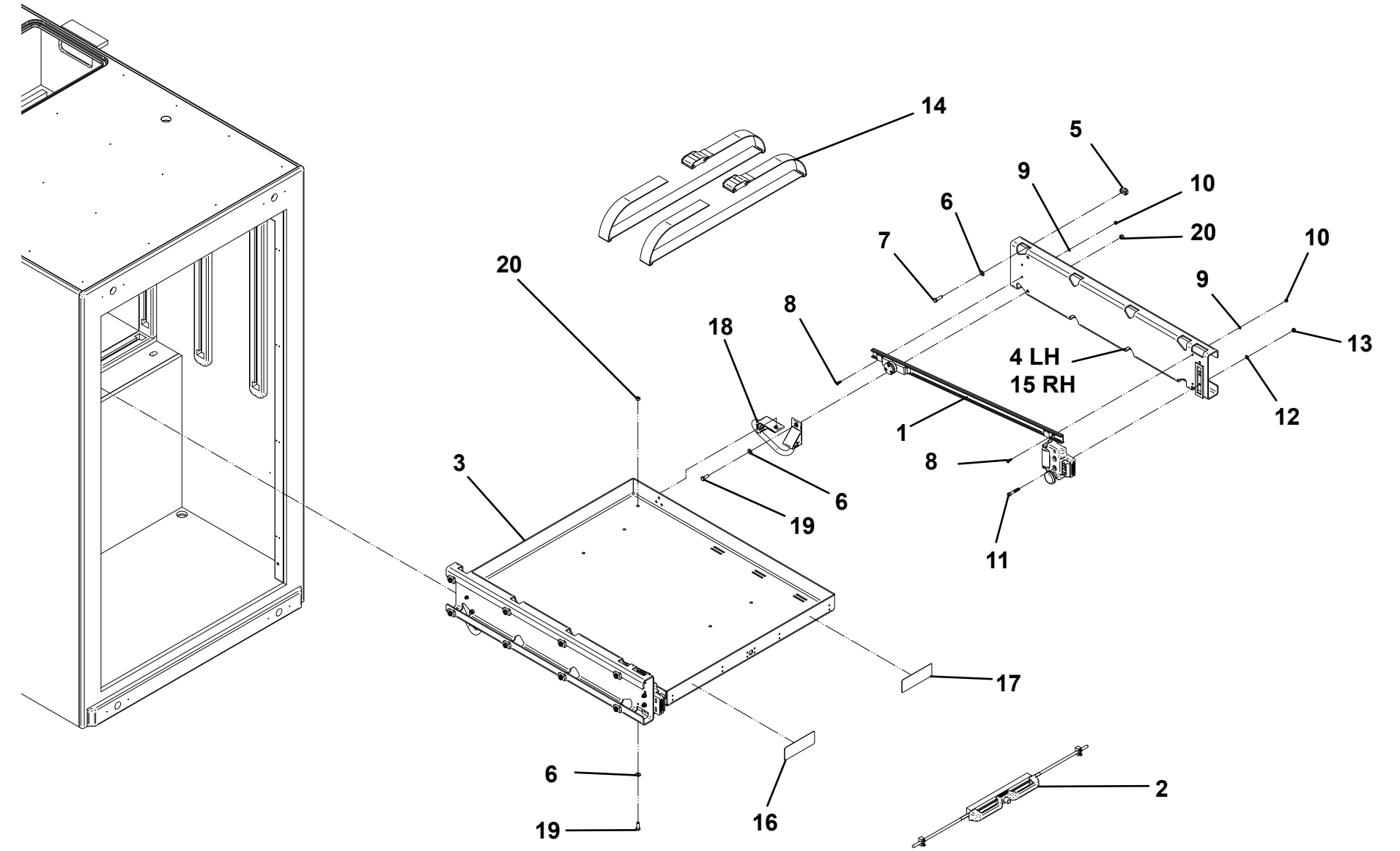
FORK RISER STORAGE INSTALLATION



SLIDE OUT TOOL STORAGE DRAWER INSTALLATION

ITEM	PART NO.	DESCRIPTION	QTY
1	1001170331	Roller Assembly	3
2	1001170332	Handle and Latch Assembly	3
3	1001165515	Drawer	3
4	1001173803	Bracket LH	3
5	1001166644	Channel Spring, 0.38" - 16NC	36
6	7950160141	Flatwasher, 0.38" ID	48
7	1001169080	Bolt, 0.38"-16NC X 1.25"	36
8	1001170305	Bolt, #6-20NC	12
9	1001170307	Washer, M6	12
10	1001170310	Nut, M6	12
11	1001170328	Screw, M8-50	12
12	1001170329	Washer, M8	12
13	1001170330	Nut, M8	12
14	1001170428	Strap	6
15	1001173804	Bracket RH	3
16	1001170090	Decal, Warning	3
17	1001170091	Decal, Capacity	3
18	1001179349	Suppression Band	6
19	7114160850	Capscrew, 0.38"-16NC X 1.00"	12
20	7660162601	Locknut, 0.38"-16NC	12

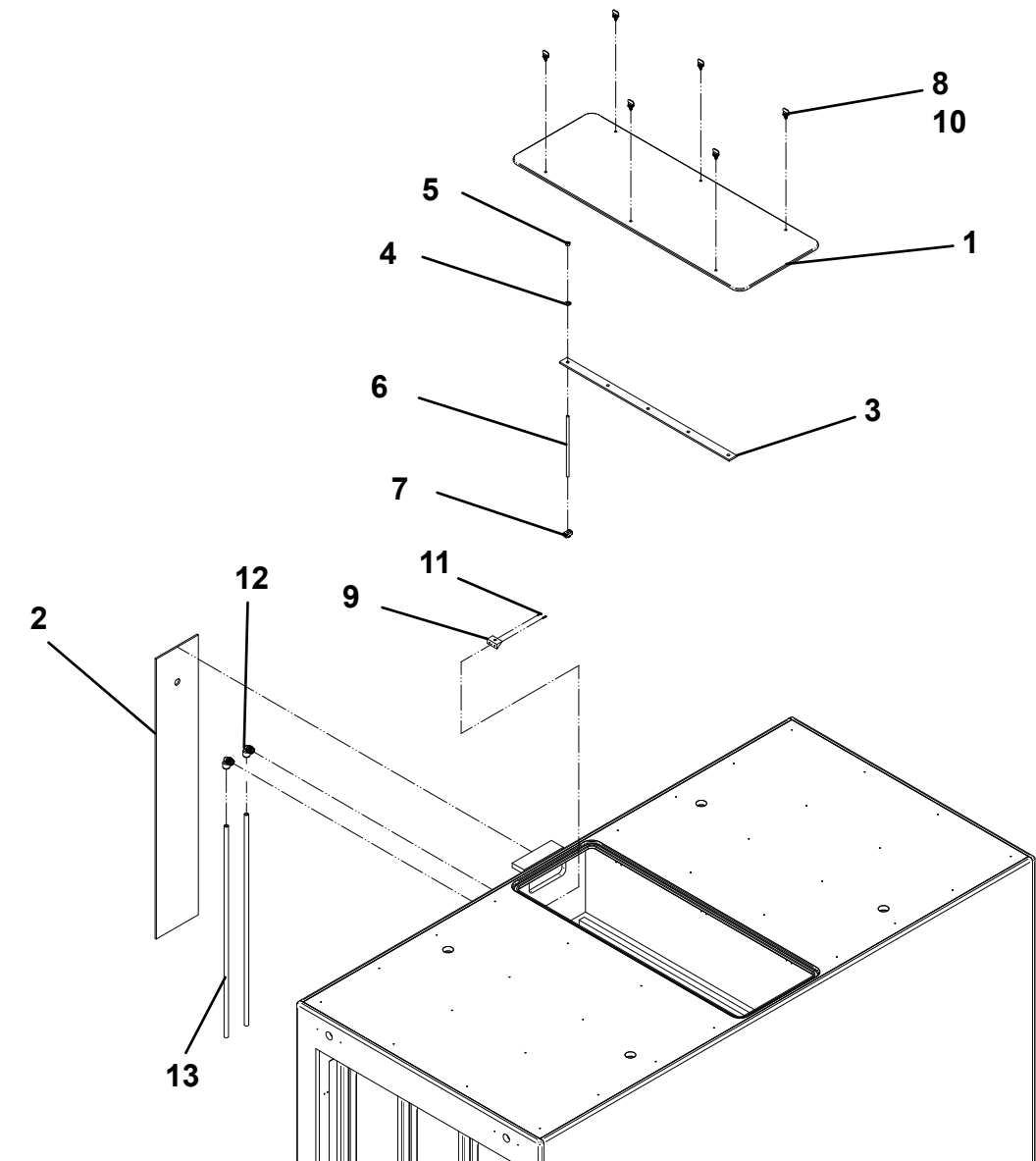
SLIDE OUT TOOL STORAGE DRAWER INSTALLATION



BATTERY INSTALLATION

ITEM	PART NO.	DESCRIPTION	QTY
1	1001166674	Cover	1
2	1001166679	Cover	1
3	1001165982	Bar	1
4	7950160153	Flatwasher, 0.38" ID	5
5	7660162604	Locknut, 0.38"-16NC	5
6	1001166670	Rod, 0.38"-16NC	5
7	1001166644	Nut, 0.38"-16NC	5
8	1001166930	Latch	6
9	1001122235	Bracket	6
10	3760308	Ring	6
11	07050505	Screw, M5 x 0.62"	12
12	7446100836	Fitting	2
13	7565000015	Tube	6.0ft

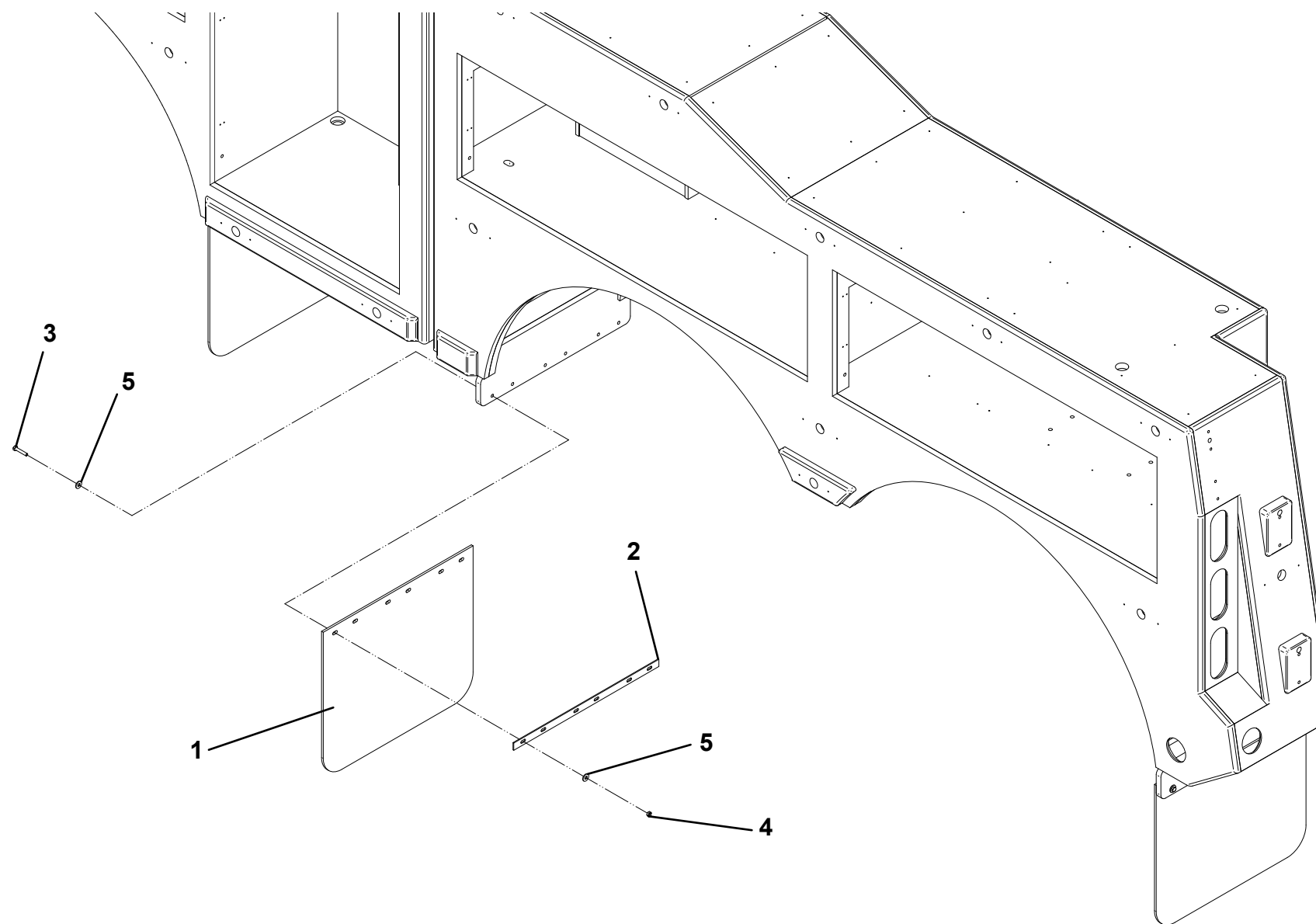
BATTERY INSTALLATION



MUDFLAP INSTALLATION

ITEM	PART NO.	DESCRIPTION	QTY
1	1001174051	Mud Flap	6
2	4706001815	Plate	6
3	7115151450	Capscrew, 0.31" - 18NC x 1.75"	34
4	7660152601	Locknut, 0.31" - 18NC	34
5	7950150161	Flatwasher, 0.31" ID	68

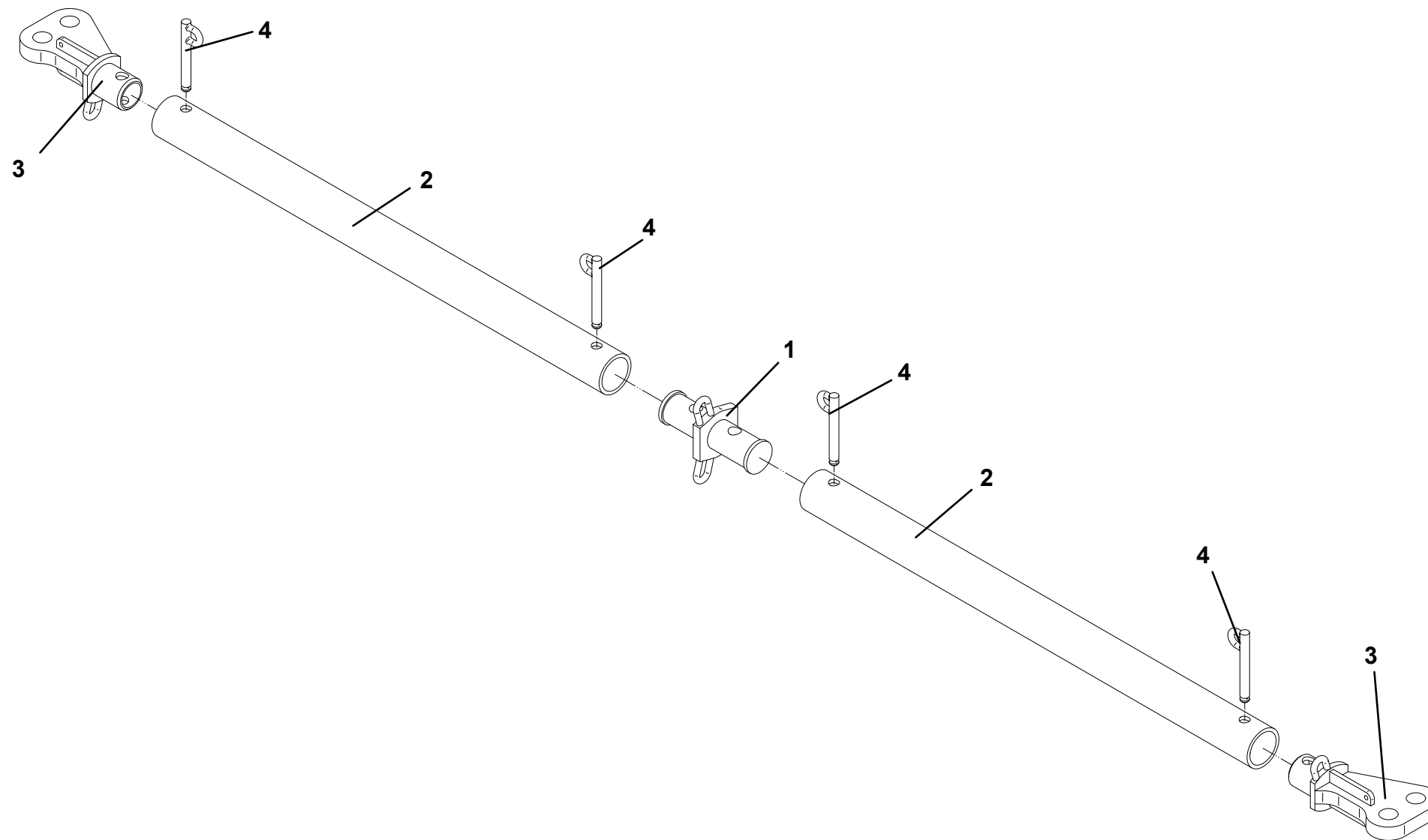
MUDFLAP INSTALLATION



SPREADER BAR KIT - 1001175920

ITEM	PART NO.	DESCRIPTION	QTY
1	70050922	Center Bar	1
2	70050923	Spreader Bar Tube	2
3	70050924	Spreader Bar Ends	2
4	70050925	Pin	4
5	7950150161	Flatwasher, 0.31" ID	68

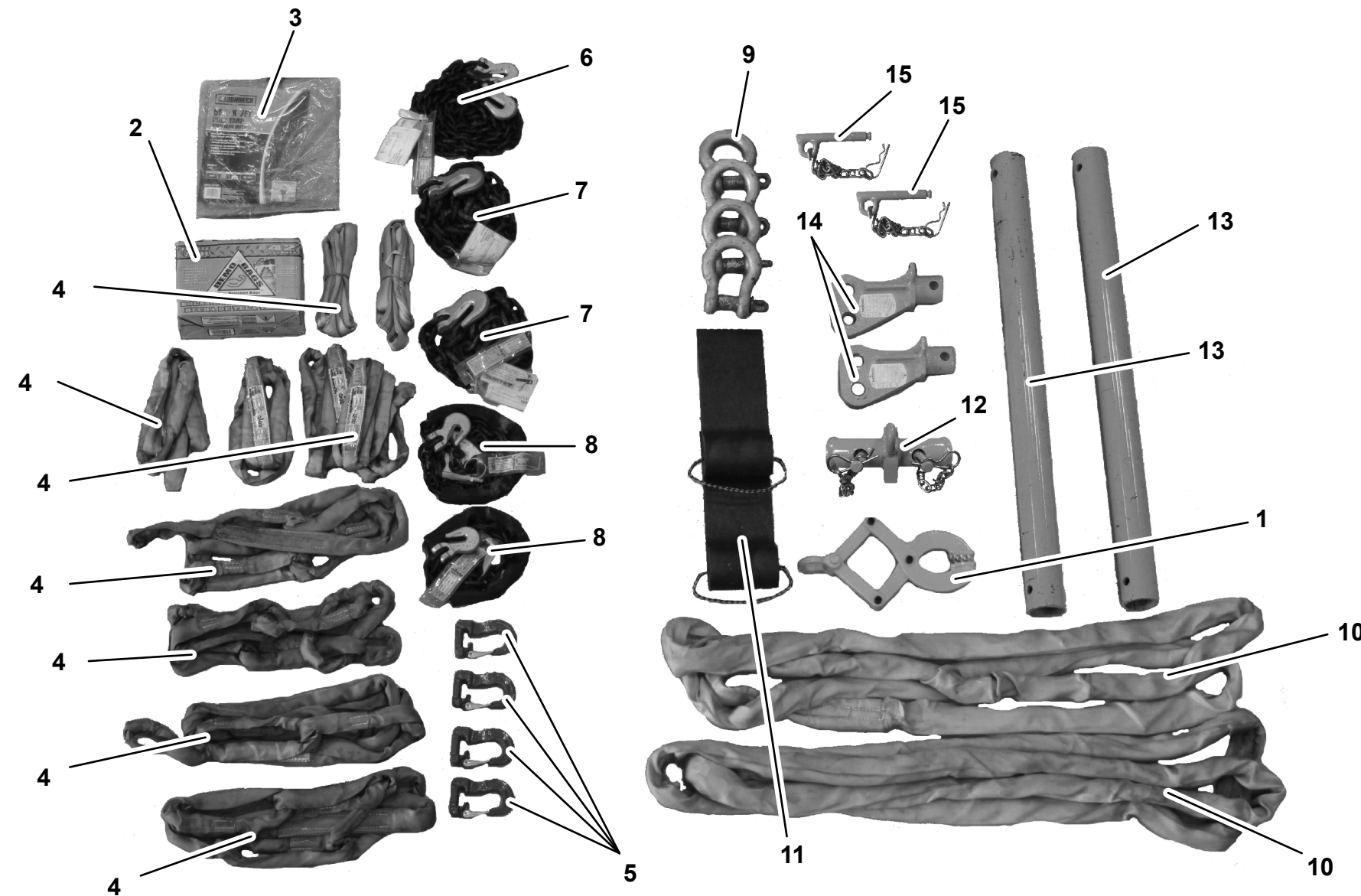
SPREADER BAR KIT - 1001175920



SPREADER BAR ACCESSORY PACKAGE - 1001174493

ITEM	PART NO.	DESCRIPTION	QTY
1	70050831	Pallet Lifting Jaw	1
2	70050832	42 Gallon Demo Bag	2
3	70050833	Poly Tarp	2
4	70050834	Green Eye and Eye Round Sling, 96"	4
5	70050835	Green Round Sling Hook	4
6	70050836	Recovery Chain, 0.38" X 10' - 8,800 LB	1
7	70050837	Recovery Chain Hook One End 0.5" X 6'	2
8	70050838	Recover Chain Hook	2
9	70050839	Shackle	4
10	70050840	Blue Round Sling 10'	2
11	70050841	Skate	2
12	70050922	Center Bar	1
13	70050923	Spreader Bar Tube	2
14	70050924	Spreader Bar Ends	2
15	70050925	Pin	4

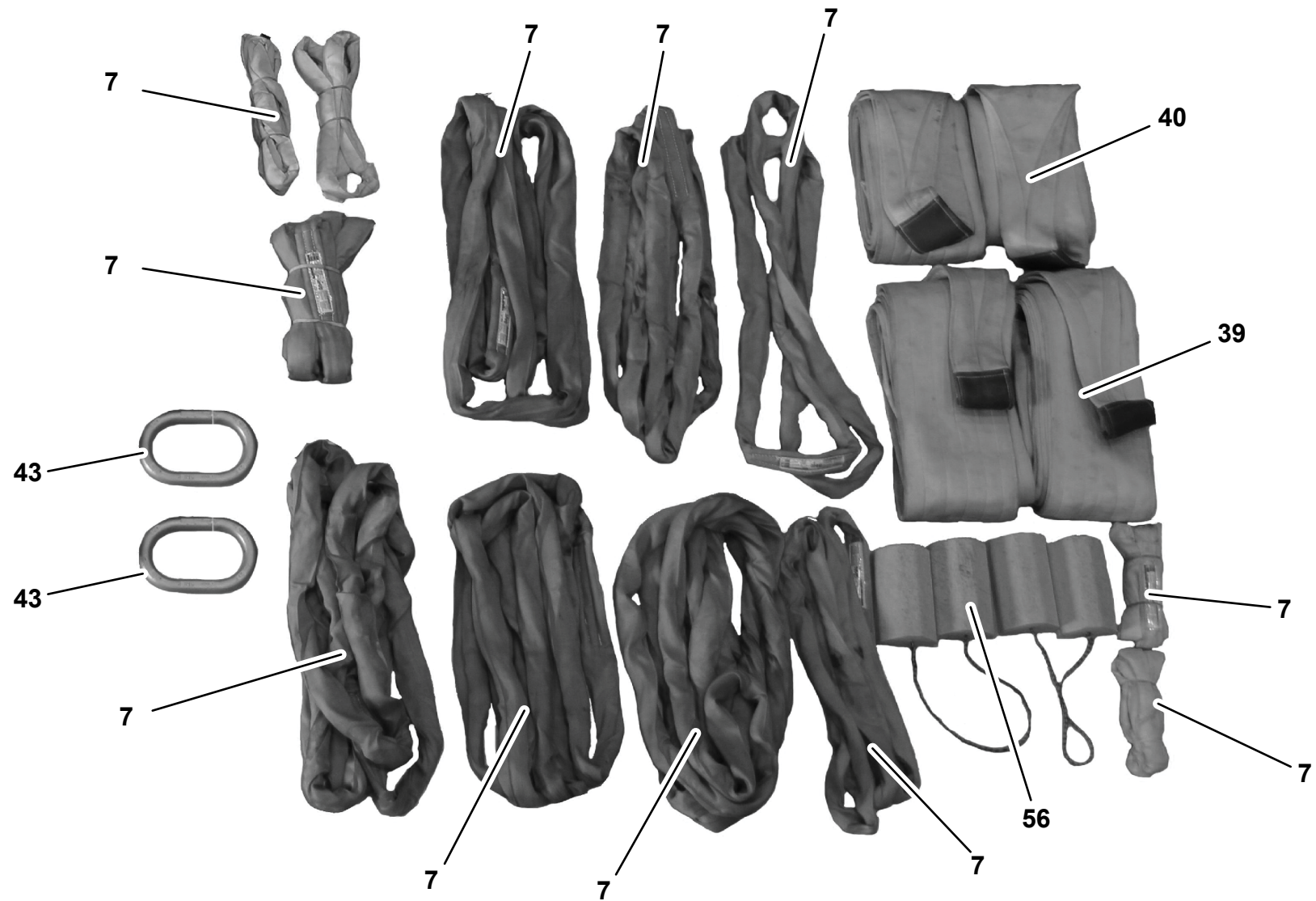
SPREADER BAR ACCESSORY PACKAGE - 1001174493



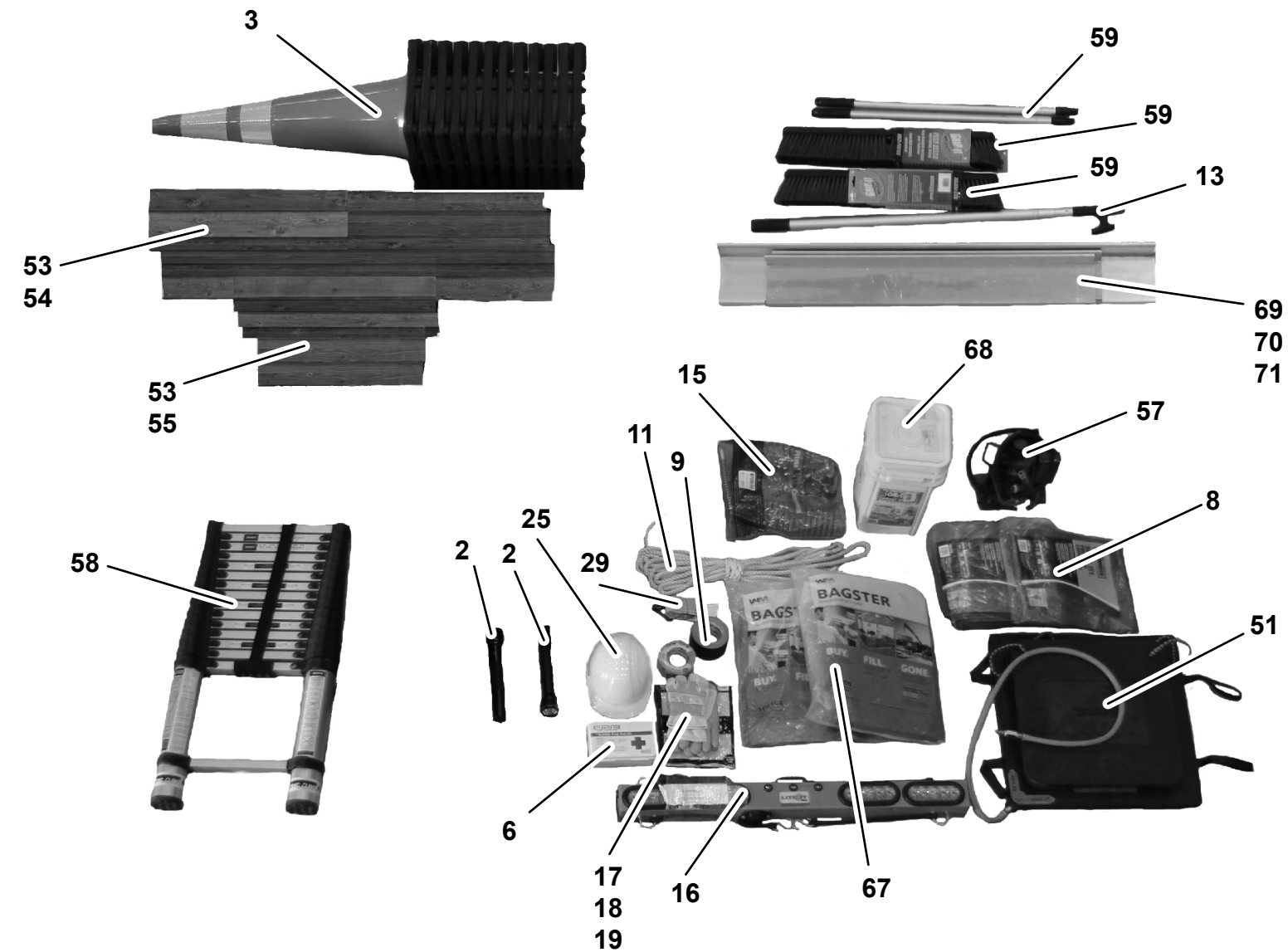
RISC ACCESSORY PACKAGE - 1001174485

ITEM	PART NO.	DESCRIPTION	QTY	ITEM	PART NO.	DESCRIPTION	QTY
1	70050850	Brake Release Kit	1	40	70050889	Recovery Strap, 16'	2
2	70050851	Flashlight	2	41	70050890	Snatch Block	4
3	70050852	Traffic Cone	12	42	70050891	Shackle Kit	1
4	70050853	Crosby Shackle	2	43	70050892	Master Link	2
5	70050854	Spill Absorbent Kit	2	44	70050893	Shackle, 1.00", 17,000 LB	2
6	70050855	First Aid Kit	1	45	70050894	Shackle, 1.25", 24,000 LB	6
7	70050856	Endless Round Sling Kit	1	46	70050895	Shackle, 1.50", 34,000 LB	2
8	70050857	Tarp	2	47	70050896	Web Shackle	8
9	70050858	Duct Tape	2	48	70050897	Transport Chain	1
10	70050859	Sewer Cover Mat	2	49	70050898	Chain, 0.38" X 20'	2
11	70050860	Rope	1	50	70050899	Chain, 0.38" X 10'	2
12	70050861	Load Binder	4	51	70050900	Air Cushion	1
13	70050862	Retrieval Tool	1	52	70050901	Fire Extinguisher	2
14	70050863	Flare	48	53	70050902	Cribbing Kit	1
15	70050864	Brake Air Hose Kit	1	54	70050903	Cribbing, 4.00" X 6.00" X 4'	4
16	70050865	Wireless Tow Light	1	55	70050904	Cribbing, 4.00" X 4.00" X 2'	8
17	70050866	Reflective Vest	2	56	70050905	Wheel Chocks	4
18	70050867	Chemical Gloves	1	57	70050906	Hydraulic Jack	1
19	70050868	Safety Gloves	2	58	70050907	Ladder	1
20	70050869	Crosby Users Lifting Guide	1	59	70050908	Push Broom	2
21	70050870	Log Book	1	60	70050909	Awe	1
22	70050871	Inspection Book	1	61	70050910	Shovel, Flat Blade	2
23	70050872	Emergency Response Book	1	62	70050911	Shovel, Round Blade	2
24	70050873	FMC Safety Regulation Book	1	63	70050912	Bolt Cutter	1
25	70050874	New Hire Kit	1	64	70050913	Grizzley Bar	1
26	70050875	Tool Set	1	65	70050914	Crow Bar	1
27	70050876	Drive Shaft Sockets	6	66	70050915	Sledge Hammer	1
28	70050877	Under Reach Strap	2	67	70050916	Trash Can	2
29	70050878	Steering Wheel Lock	1	68	70050917	Spill Kit	1
30	70050879	Impact Socket	1	69	70050918	Angle Kit	1
31	70050880	Pliers Kit	1	70	70050919	Angle, 36.00"	2
32	70050881	Vise Kit	1	71	70050920	Angle, 48.00"	1
33	70050882	Adjustable Wrench Kit	1				
34	70050883	Pipe Wrench, 10"	1				
35	70050884	Pipe Wrench, 14"	1				
36	70050885	Chain, 0.38" X 10'	2				
37	70050886	Chain, 0.625" X 10'	2				
38	70050887	Chain, 0.50" X 10'	2				
39	70050888	Recovery Strap, 26'	2				

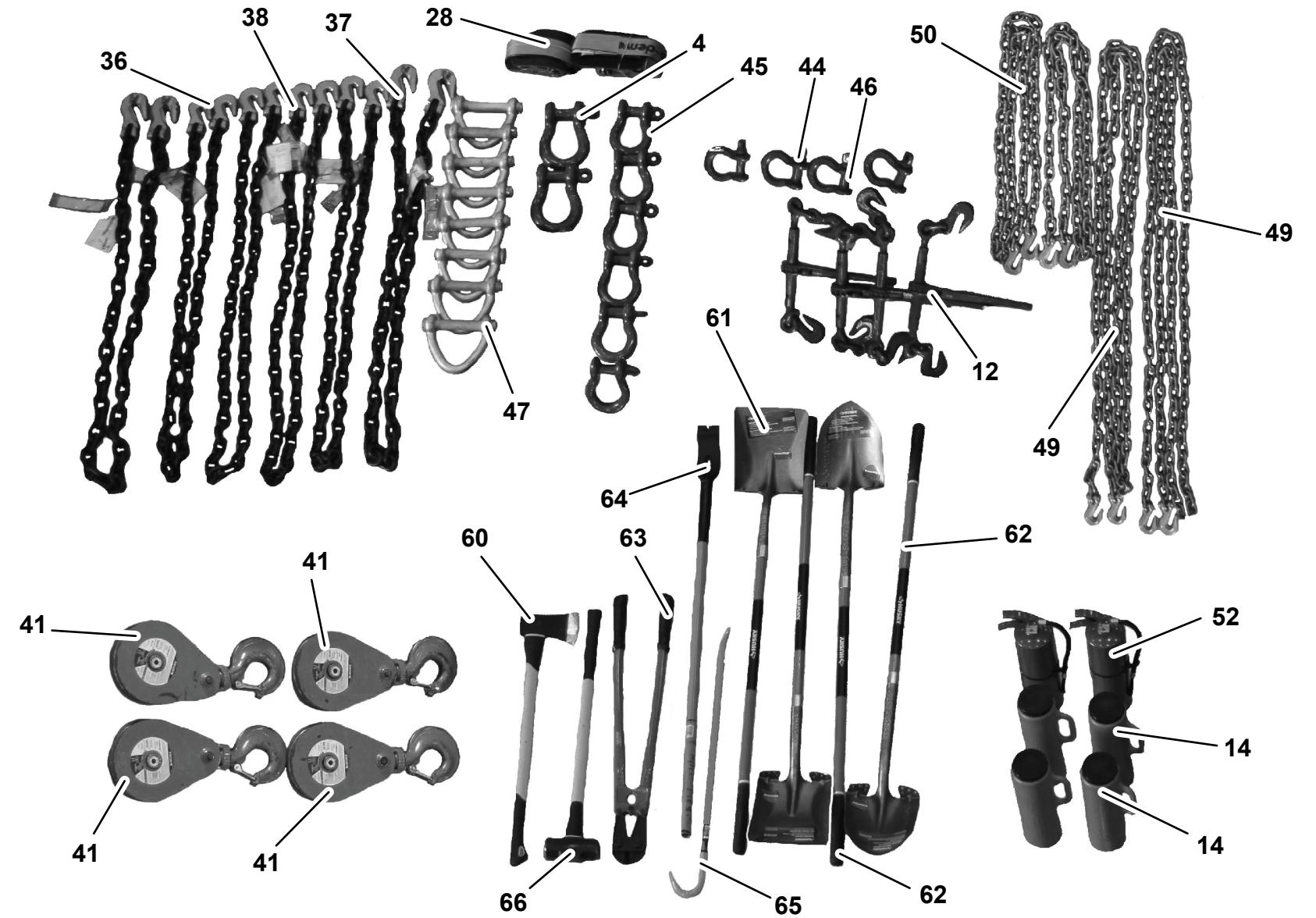
RISC ACCESSORY PACKAGE - 1001174485



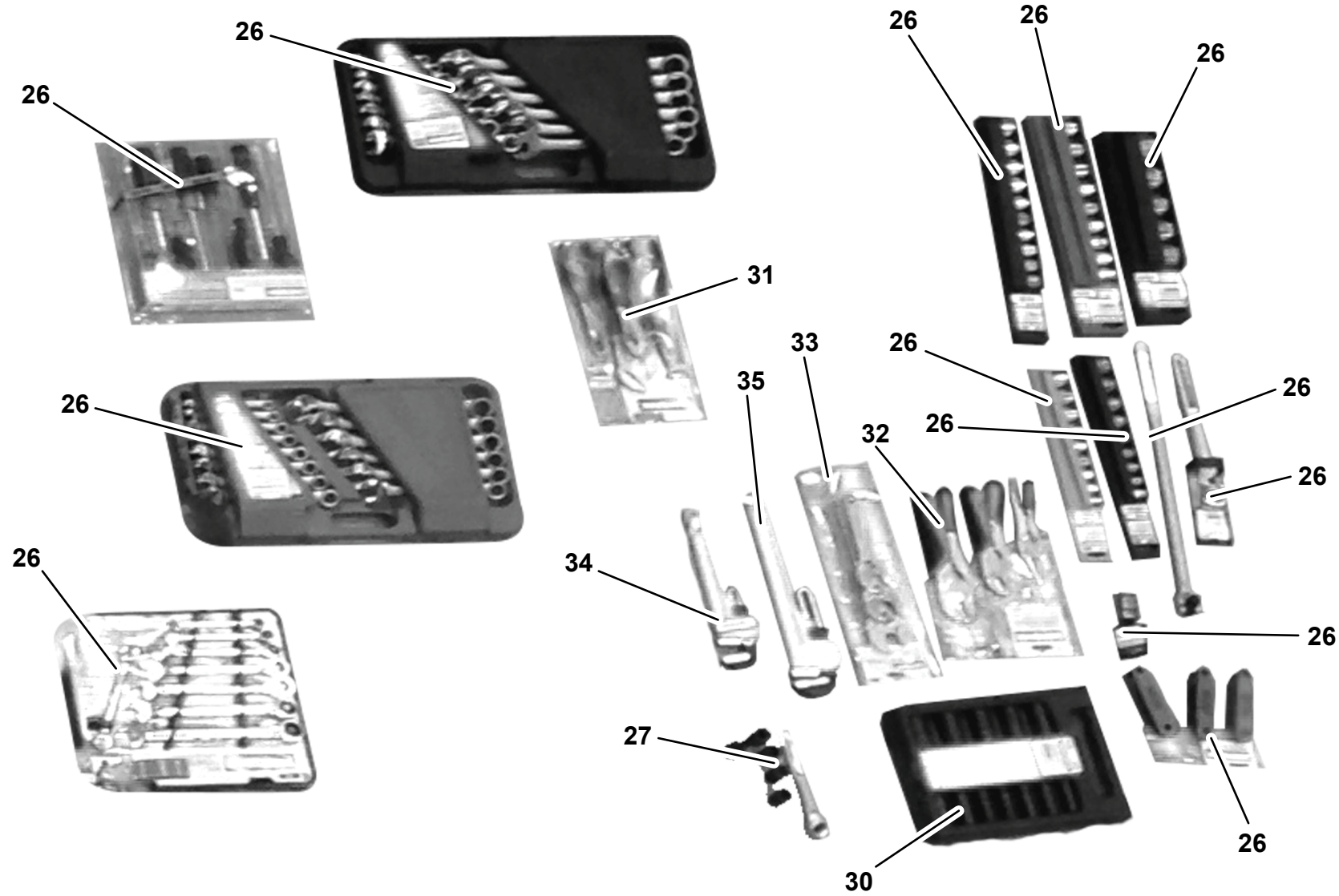
RISC ACCESSORY PACKAGE - 1001174485



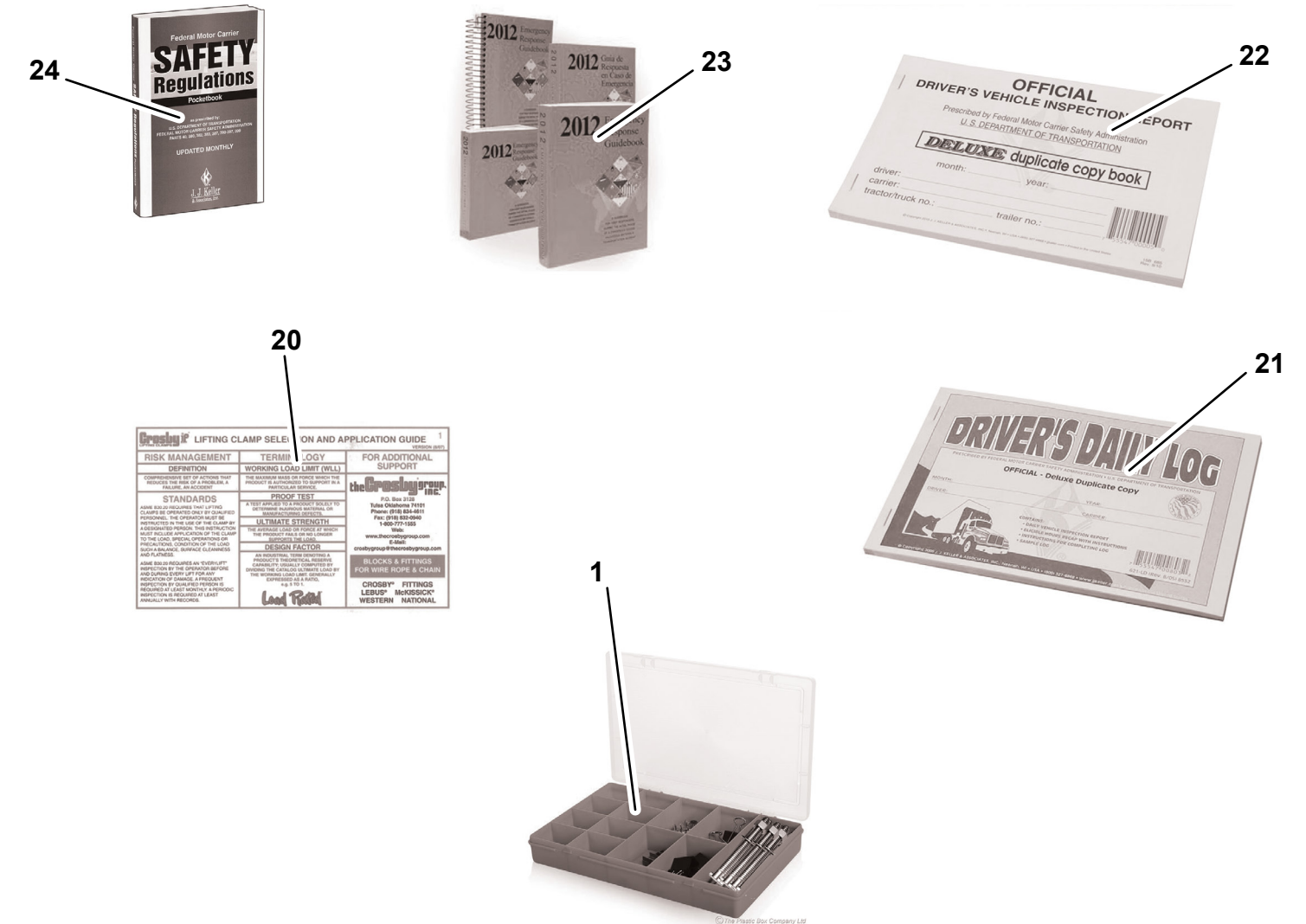
RISC ACCESSORY PACKAGE - 1001174485



RISC ACCESSORY PACKAGE - 1001174485



RISC ACCESSORY PACKAGE - 1001174485



RUGGED ACCESSORY PACKAGE - 1001174490

ITEM	PART NO.	DESCRIPTION	QTY
1	70050842	Snatch Block, 0.875" X 8.00"	2
2	70050843	Recovery Chain, 0.38" X 10'	1
3	70050844	Recovery Chain, 0.50" X 2'	2
4	70050845	Recovery Sling, 0.50"	2
5	70050846	Recover Chain Locking Clevis, 0.50" X 10'	4
6	70050847	Copper Ground Stake	2
7	70050848	Brass Mallet	1
8	70050849	Ground Wire	3

RUGGED ACCESSORY PACKAGE - 1001174490



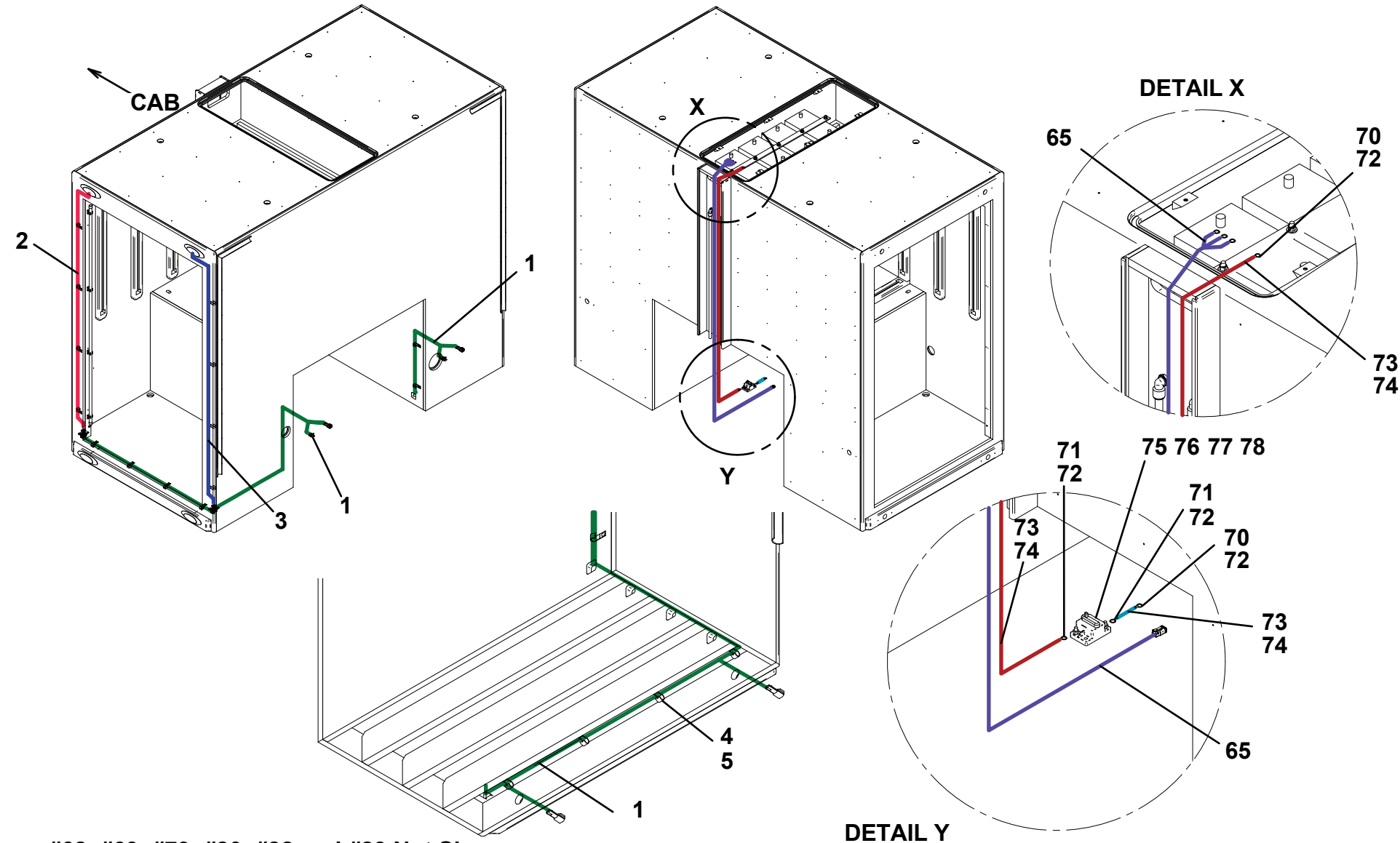
BODY LIGHTING & WIRING INSTALLATION

ITEM	PART NO.	DESCRIPTION	QTY	ITEM	PART NO.	DESCRIPTION	QTY
1	1001162277	Harness	2	40	7457000012	Fuse	3
2	1001162242	Harness	2	41	7661000023	Locknut, #10-32NF	17
3	1001162243	Harness	2	42	7120000035	Capscrew, 0.31"-18NC X 0.50"	1
4	7280000006	Clip	157	43	7949000053	Washer, 0.31"ID	1
5	1001146735	Rivet	157	44	7115150650	Capscrew, 0.31"-18NC X 0.75"	1
6	1001141592	Bolt, #8 X 0.50"	76	45	7950150000	Washer, 0.31" ID	1
7	1001162402	Harness	2	46	7950150161	Flatwasher, 0.31" ID	1
8	1001162321	Harness	2	47	1001162904	Harness	1
9	1001162382	Harness	2	48	1001144012	Harness	4
10	1001162399	Harness	2	49	7740000003	Relay	1
11	7590000343	Light	4	50	7740000008	Relay	1
12	1001174681	Light	4	51	751003	Screw	2
13	1001174680	Light	2	52	1001162928	Harness	1
14	7493000026	Grommet	6	53	1001162982	Harness	1
15	1001171549	Harness	1	54	1001162947	Harness	1
16	1001171550	Harness	1	55	7114080618	Screw, #8-32 X 0.75"	6
17	1001162519	Harness	2	56	7660082500	Locknut, #8-32NC	6
18	1001171538	Harness	2	57	1001168320	Terminal	1
19	7870000143	Switch	4	58	1001168321	Terminal	1
20	1001134451	Decal	2	59	1001168322	Terminal	1
21	1001163669	Plate	1	60	1001168323	Cable	1
22	7115161650	Capscrew, 0.38"-16NC X 2.00"	12	61	1001168325	Cable	1
23	7660162601	Locknut, 0.38"-16NC	12	62	1001168326	Cable	1
24	1001166974	Washer, 0.38" ID	12	63	1001168328	Cable	1
25	7950160161	Flatwasher, 0.38"	24	64	1001162714	Harness	1
26	1001163926	Plate	1	65	1001162945	Harness	1
27	1001122235	Bracket	4	66	1001150426	Harness	1
28	3760308	Retaining Ring	4	67	7590000262	Light	42
29	1001166930	Latch	4	68	7114080418	Capscrew, #8-32NC X 0.50"	8
30	750504	Screw, #5 X 0.50	8	69	7660082604	Locknut, #8-32NC	8
31	1001167607	Vent Plug	2	70	7345242202	Terminal	2
32	7870000123	Power Panel	1	71	7345222202	Terminal	2
33	7114100618	Capscrew, #10-24NC X 0.75"	6	72	7346000045	Tubing	0.25
34	7660102604	Locknut, #10-24NC	6	73	7978000011	Loom	40 FT
35	7740000001	Relay	13	74	8597650001	Loom	40FT
36	7457000023	Fuse	3	75	7870000043	Breaker	1
37	7457000019	Fuse	13	76	7115141250	Capscrew, 0.25"-20NC X 1.50"	2
38	7457000011	Fuse	4	77	7950140141	Flatwasher, 0.25" ID	2
39	7457000006	Fuse	1	78	7660142601	Locknut, 0.25" - 20NC	2

BODY LIGHTING & WIRING INSTALLATION

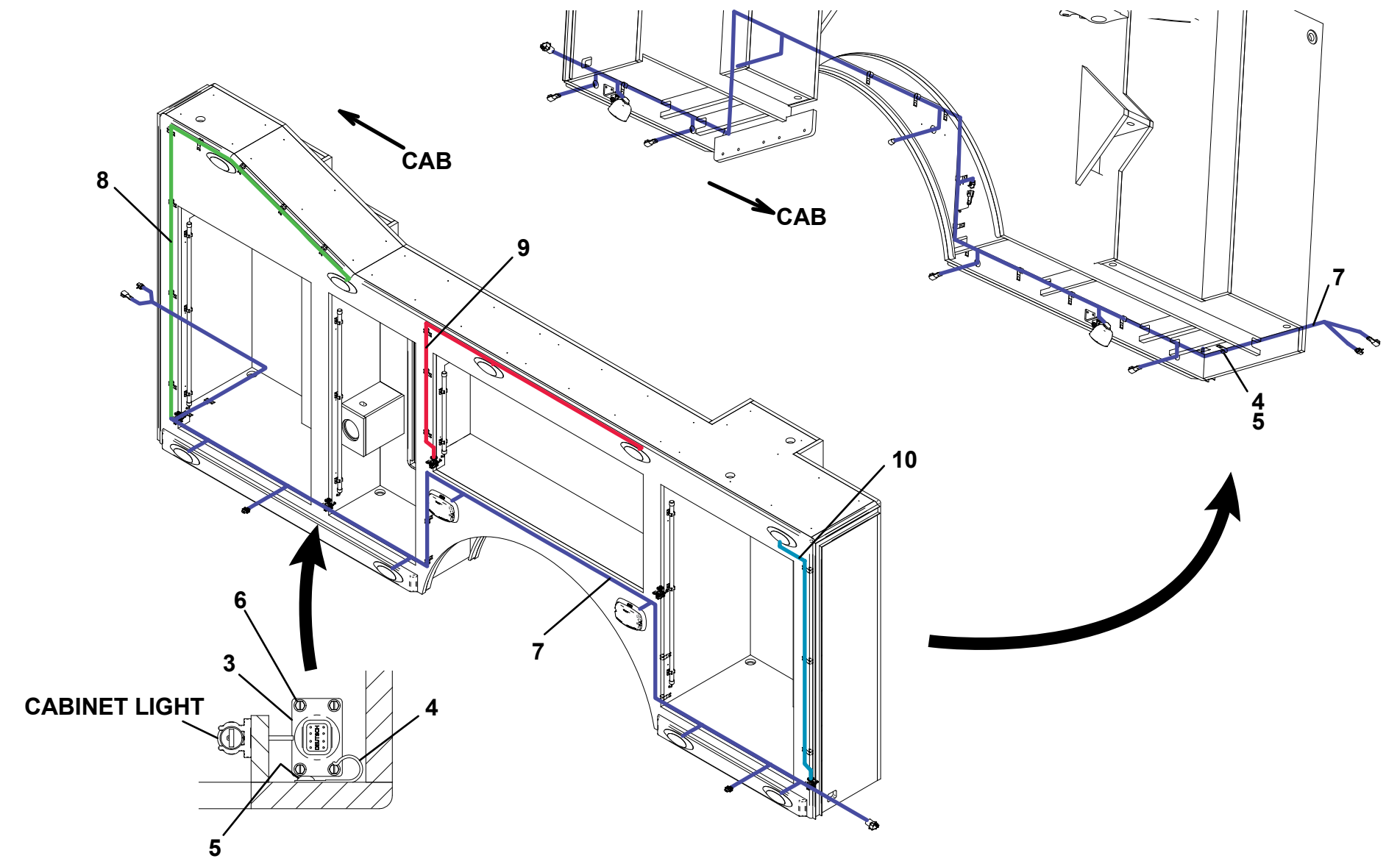
ITEM	PART NO.	DESCRIPTION	QTY
79	7178000025	Bracket	1
80	7590000105	Light	1
81	1001167452	Decal	2
82	7345001704	Terminal	16
83	7346000039	Tubing	0.5
84	7493000009	Grommet	4
85	7590000282	Light	2
86	1001154101	Screw, #10 x 0.50"	80
87	1001130427	Light	12

BODY LIGHTING & WIRING INSTALLATION

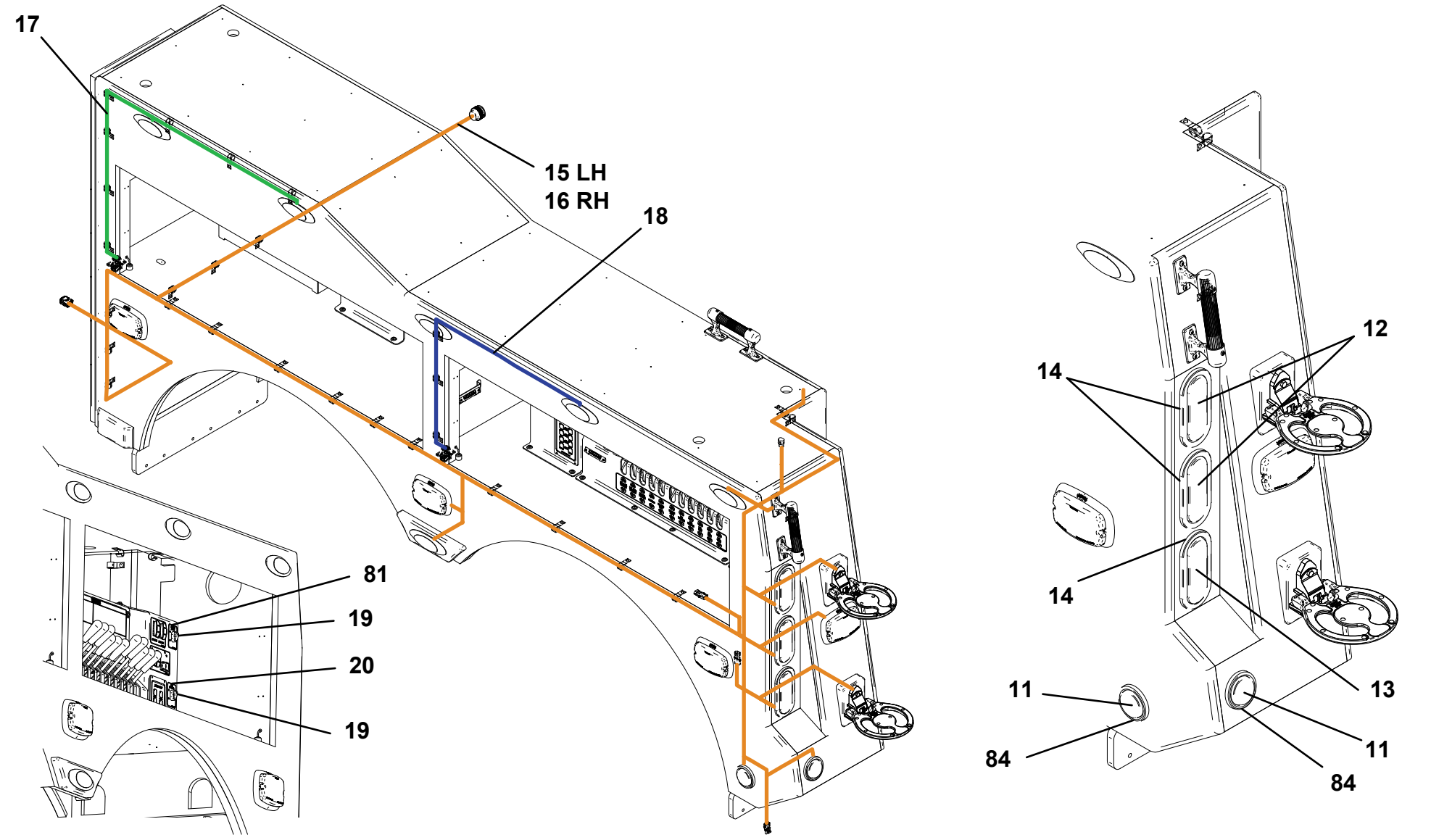


Items #68, #69, #79, #80, #82 and #83 Not Shown

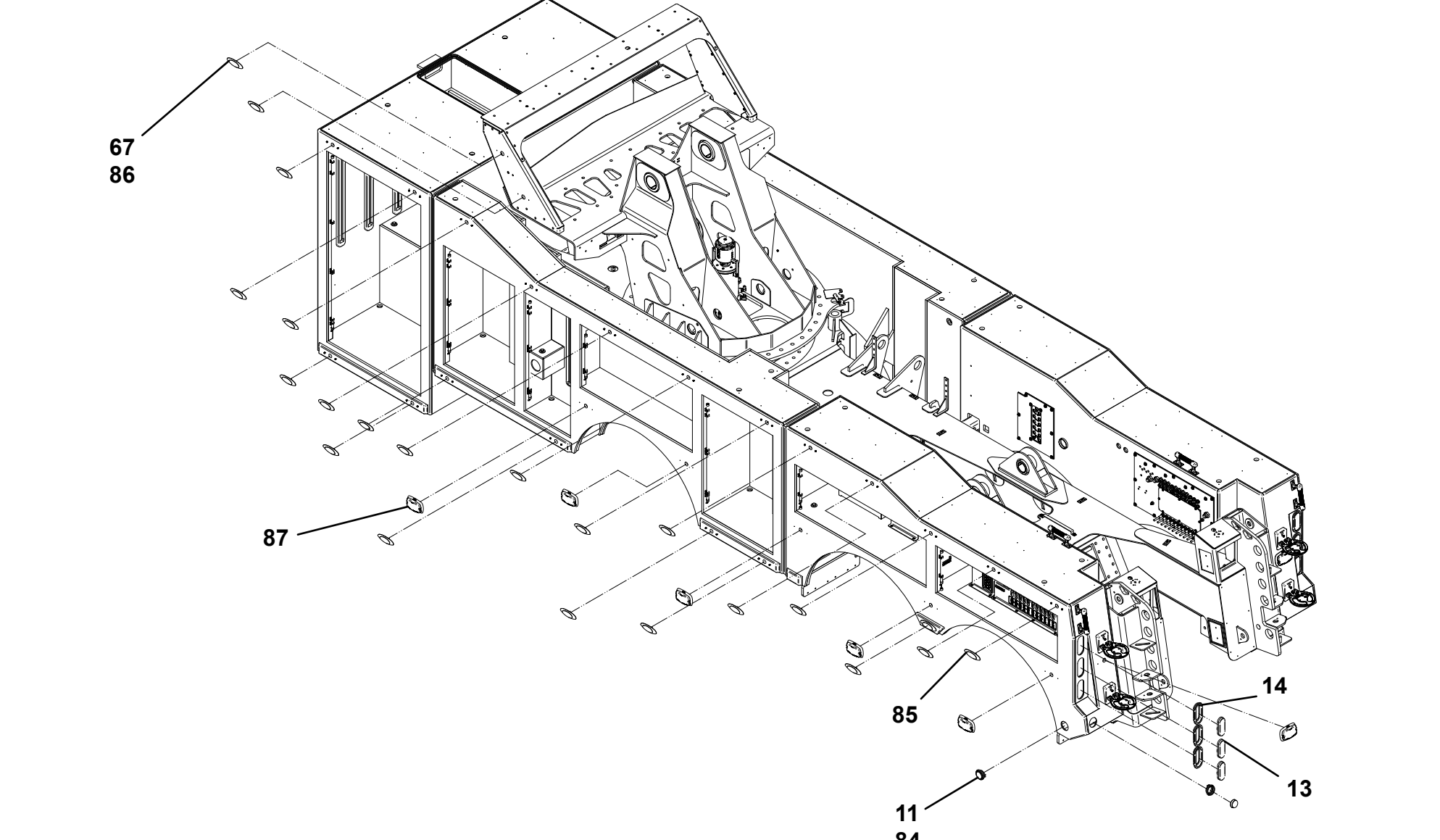
BODY LIGHTING & WIRING INSTALLATION



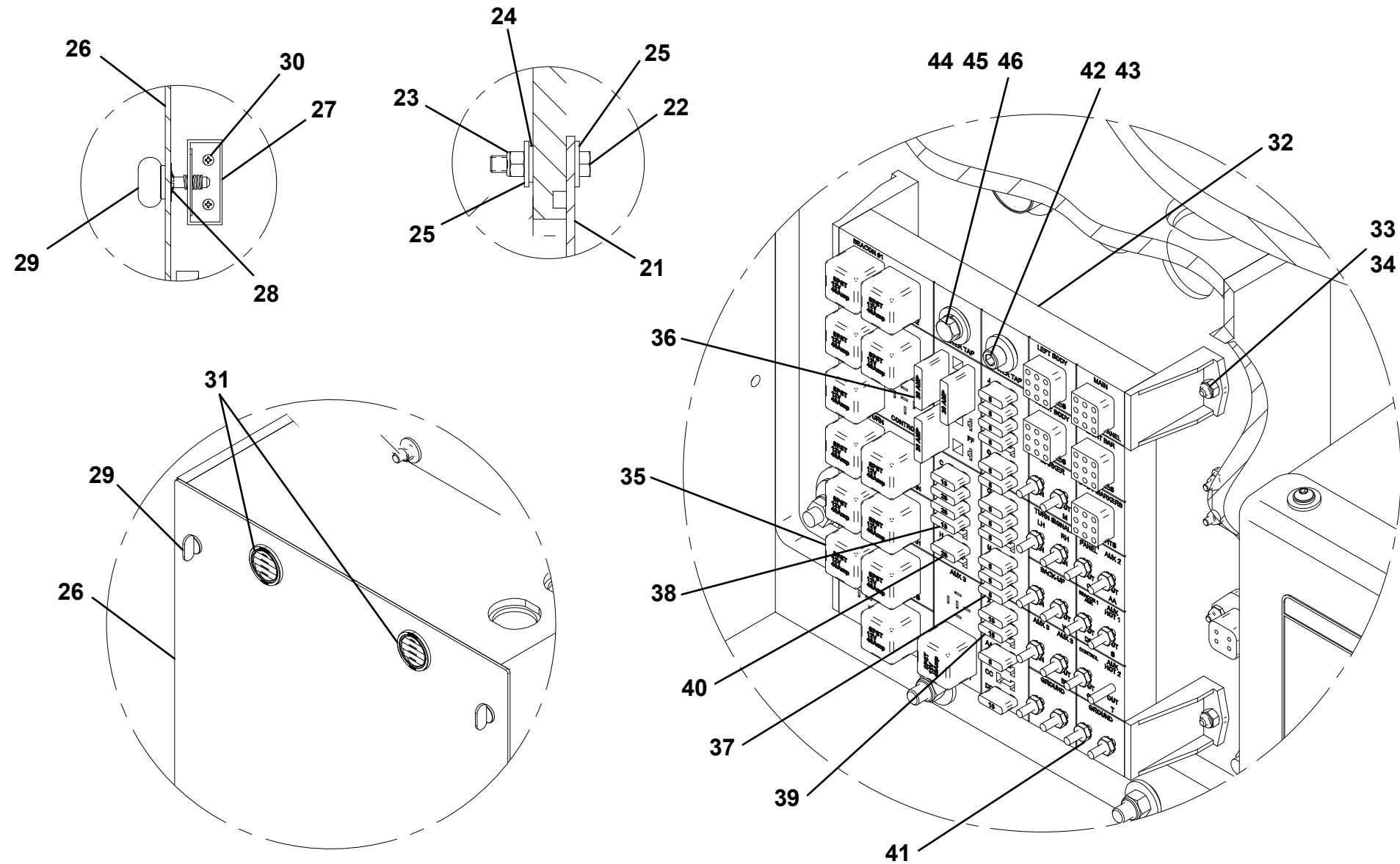
BODY LIGHTING & WIRING INSTALLATION



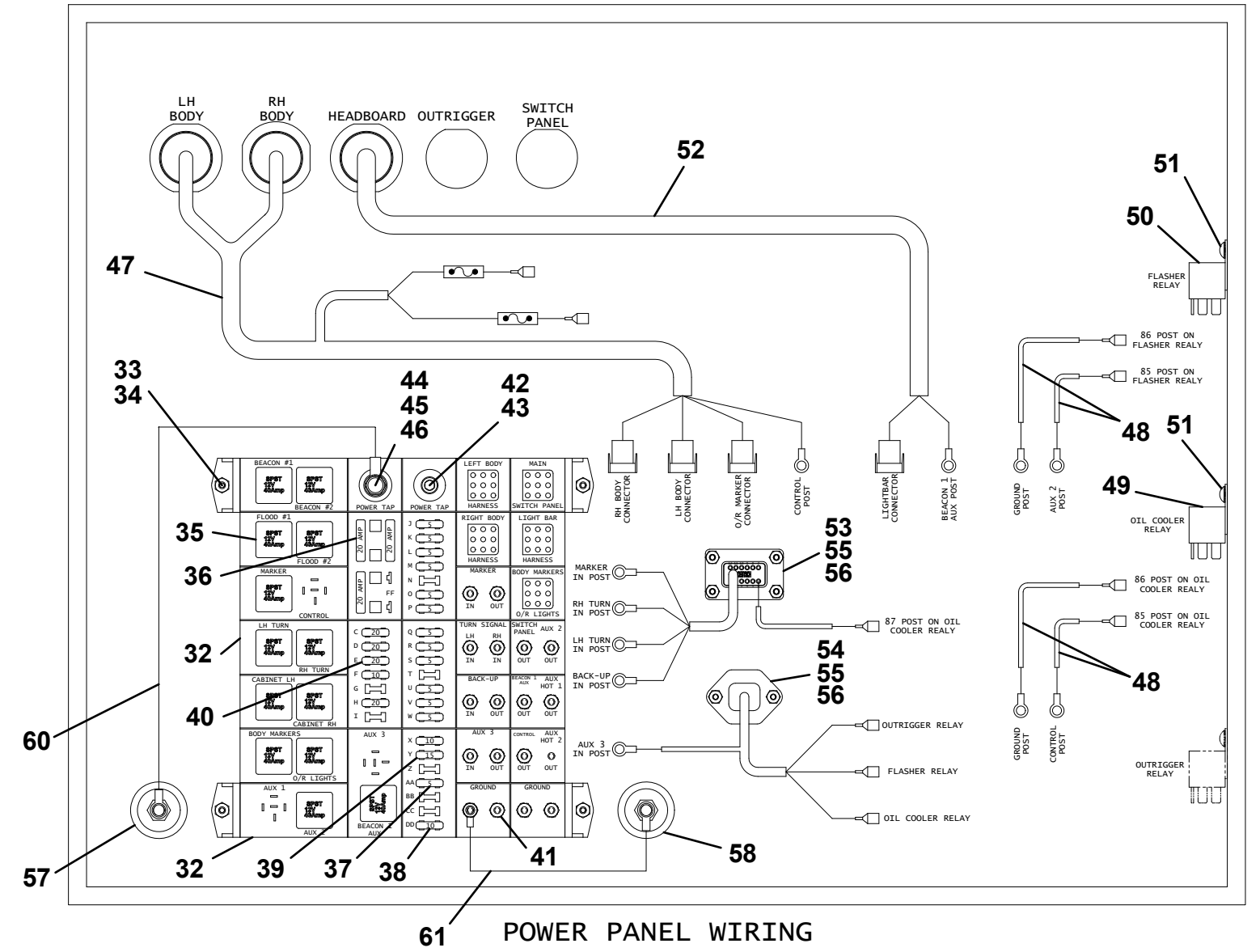
BODY LIGHTING & WIRING INSTALLATION

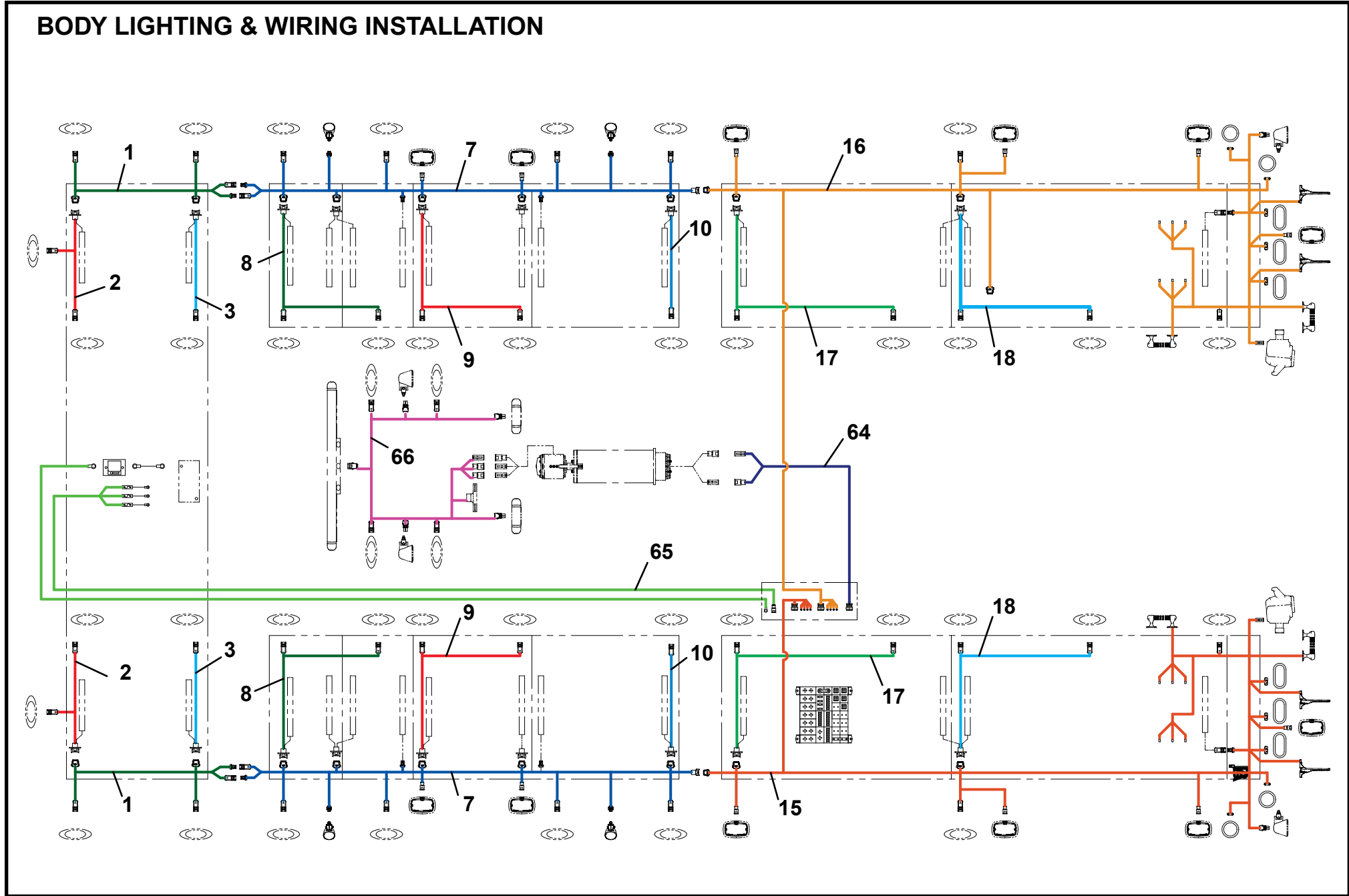
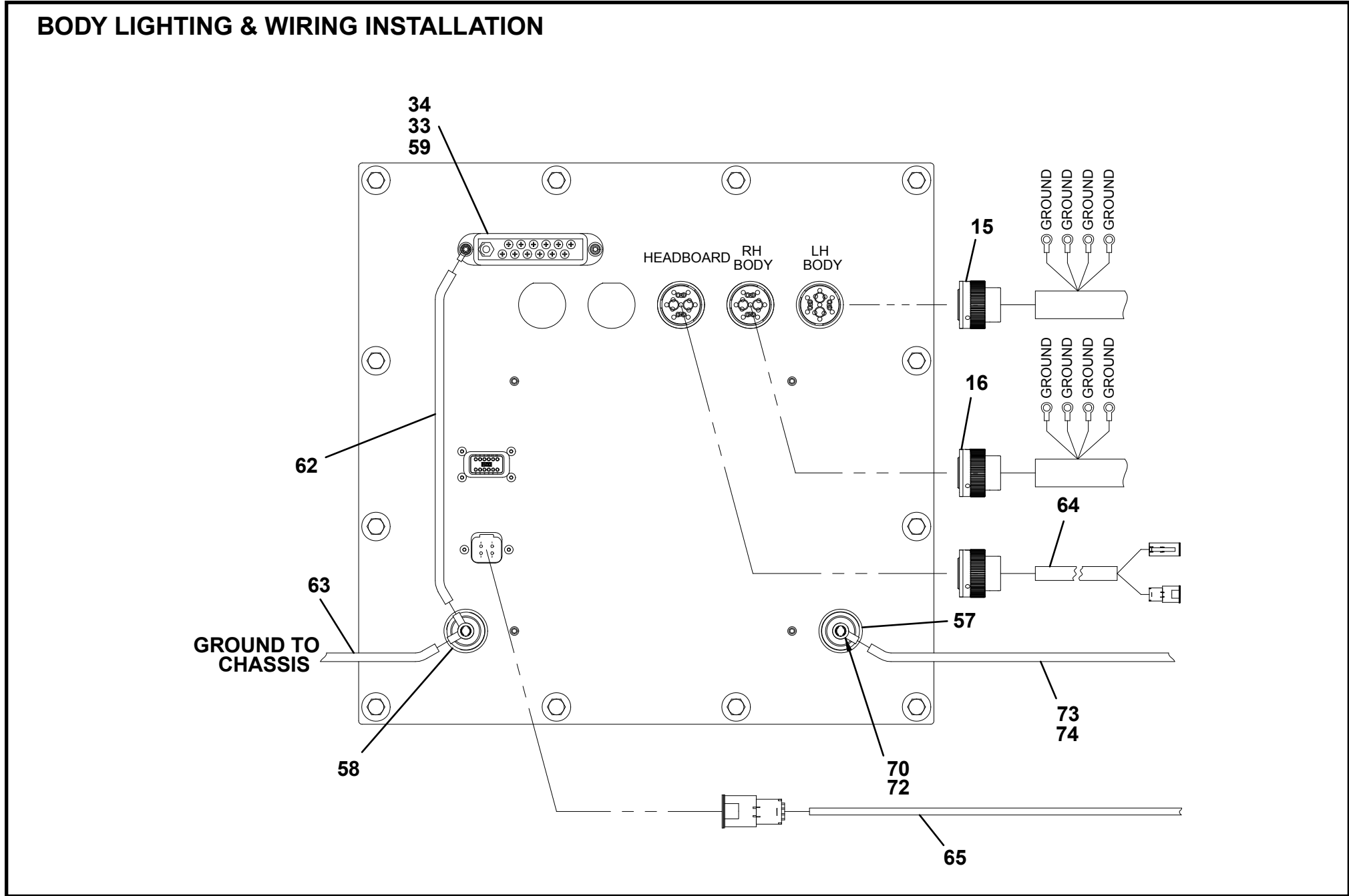


BODY LIGHTING & WIRING INSTALLATION



BODY LIGHTING & WIRING INSTALLATION

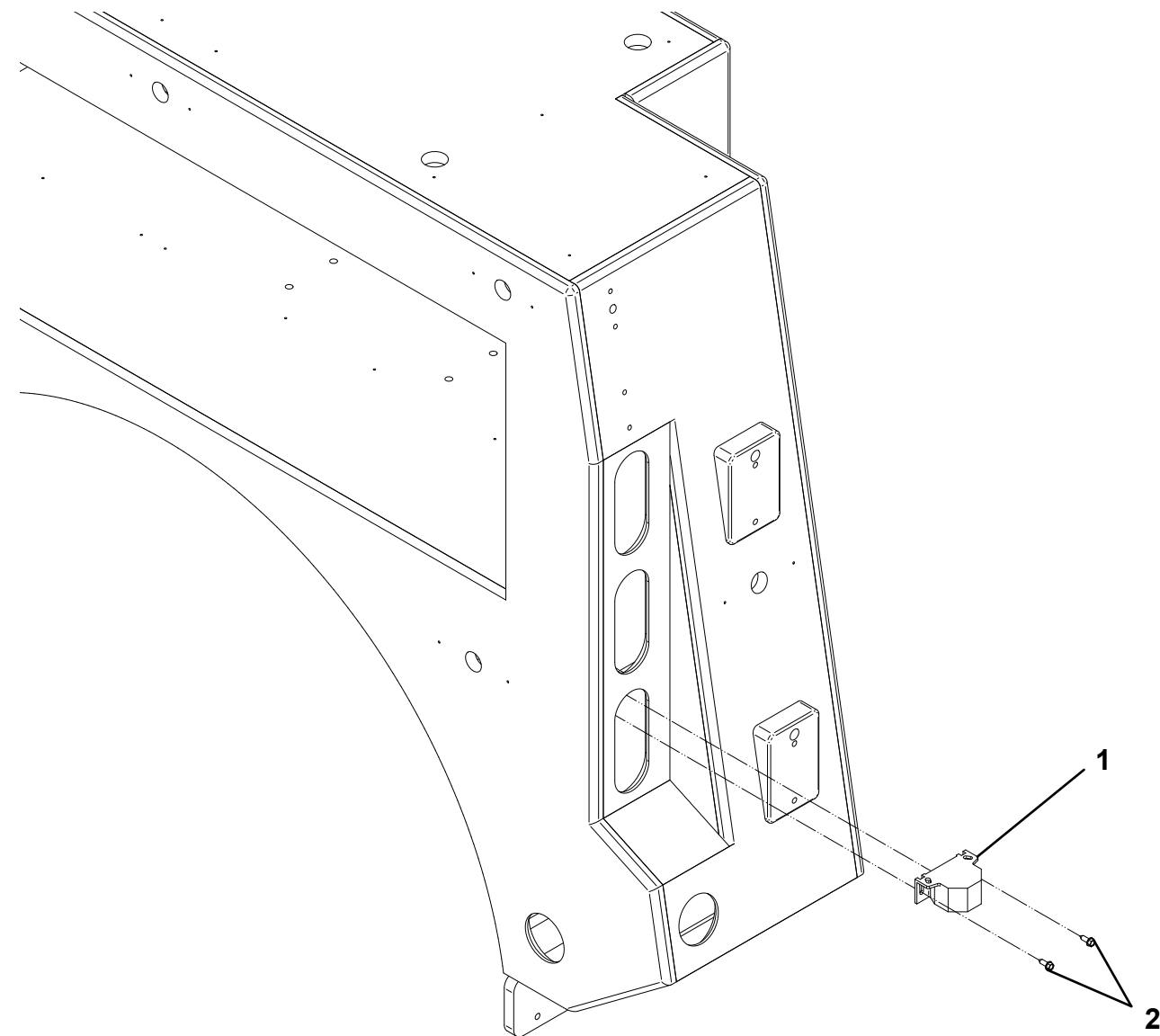




BACK-UP ALARM INSTALLATION

ITEM	PART NO.	DESCRIPTION	QTY
1	7011000006	Alarm, Backup	1
2	7790141251	Screw, #14 x 0.75"	2

BACK-UP ALARM INSTALLATION



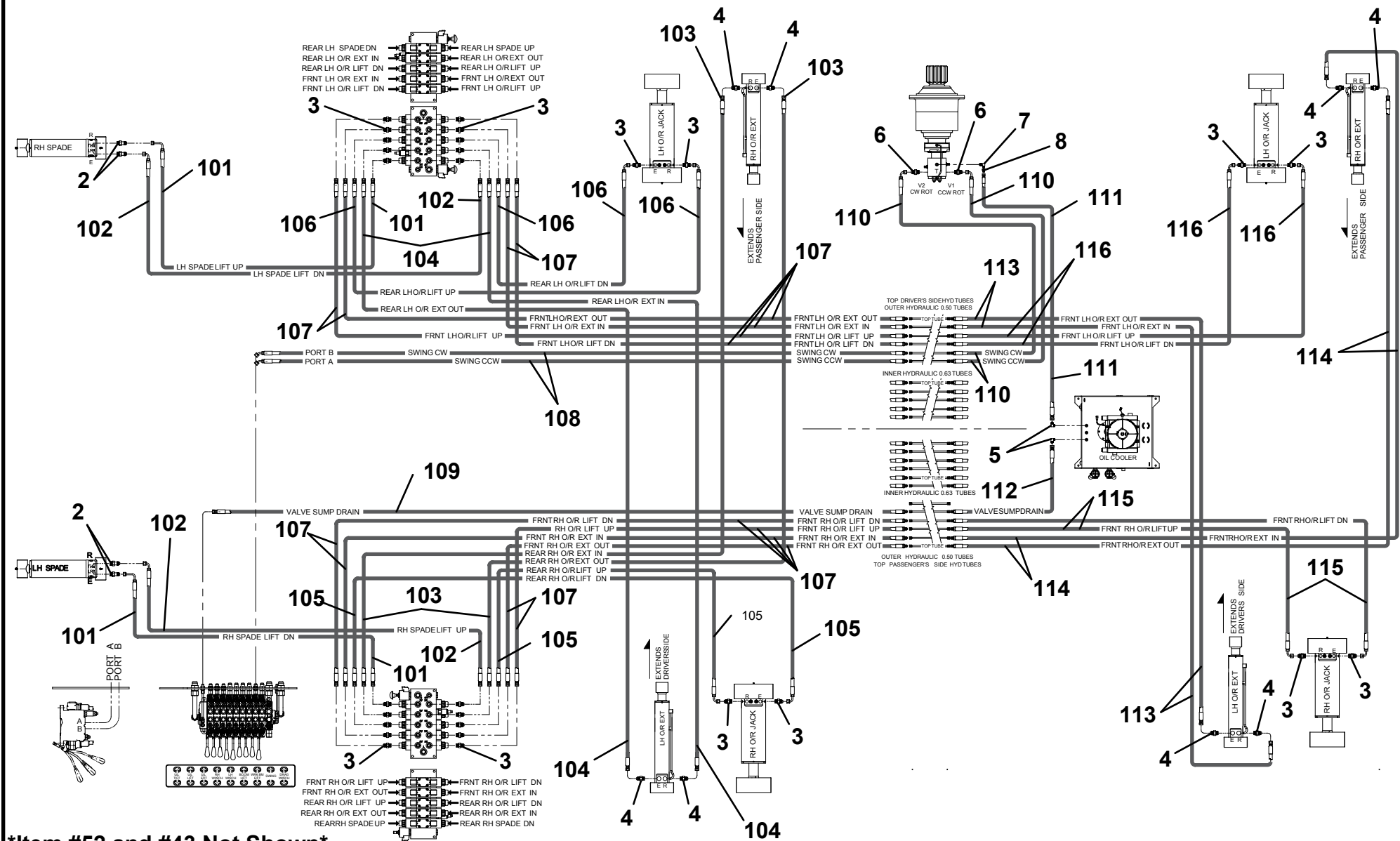
HYDRAULIC INSTALLATION

ITEM	PART NO.	DESCRIPTION	QTY	ITEM	PART NO.	DESCRIPTION	QTY
1	1001136811*	Hose Kit	1	40	7443000258	Fitting	2
2	7445080644	Fitting	4	41	1001130426	Hydraulic Tank Assembly	1
3	7445080843	Adapter	32	42	7445101018	Fitting	10
4	7445080643	Adapter	8	43	7443000173	Fitting	1
5	2220773	Adapter	2	44	7274000076	Clamp	8
6	7445081043	Adapter	2	45	7785152420	Set Screw, 0.31"-18NC x 1.50"	8
7	2220775	Adapter	1	46	7660152601	Locknut, 0.31"-18NC	22
8	7443000108	Restrictor	1	47	7115151050	Capscrew 0.31"-18NC X 1.25"	14
9	7445100843	Adapter	2	48	7950150161	Flatwasher 0.31" ID	14
10	7445081039	Adapter	2	49	4706003844	Plate	6
11	7445080837	Union	2	50	1001137048	Clamp	5
12	1001136881	Adapter	2	51	1001137049	Clamp	3
13	7470000004	Gauge, Panel Mount Pressure	2	52	7894000004	Tie Strap	50
14	7790060676	Screw, #6 x 0.38"	6	53	1001137052	Clamp	19
15	7445040421	Fitting	2	54	1001143937	Clamp	2
16	7445040425	Union	2	55	7470000002	Gauge	2
17	7443000408	Fitting	1			*Hose Kit - 1001136811*	
18	1001131302	Pipe, Tube 1.00" Pressure	1	101	1001136814	Hose Assembly	2
19	7445161622	Union	1	102	1001136817	Hose Assembly	2
20	7445161620	Elbow	2	103	4567130135	Hose Assembly	2
21	7430000004	Filter Assembly	2	104	1001136821	Hose Assembly	2
22	7443000158	Elbow	2	105	1001136824	Hose Assembly	2
23	7445161245	Elbow	1	106	4567132085	Hose Assembly	2
24	7445161243	Fitting	1	107	4569140046	Hose Assembly	8
25	1001130611	Pipe	1	108	1001136833	Hose Assembly	2
26	1001130610	Ball Valve	1	109	1001136836	Hose Assembly	1
27	1001130597	Hose Insert	1	110	1001136841	Hose Assembly	2
28	1001130587	T-bolt Clamp	2	111	4567120069	Hose Assembly	1
29	1001130607	Elbow	1	112	4570000361	Hose Assembly	1
30	1001130608	Flange	1	113	1001136843	Hose Assembly	2
31	4178000349	Bracket	1	114	1001136844	Hose Assembly	2
32	7660200200	Nut, 0.63"-11NC	2	115	1001136845	Hose Assembly	2
33	1001130609	Flange	1	116	1001136846	Hose Assembly	2
34	1001130589	Elbow	1	117	1001136851	Hose Assembly	8
35	7445060643	Adapter	1	118	4569160030	Hose Assembly	8
36	7445101043	Adapter	2	119	4567150016	Hose Assembly	2
37	7445060648	Fitting	1	120	1001136861	Hose Assembly	2
38	2221051	Fitting	2	121	1001136876	Hose Assembly	4
39	7445161637	Fitting	2	122	1001136883	Hose Assembly	2

HYDRAULIC INSTALLATION

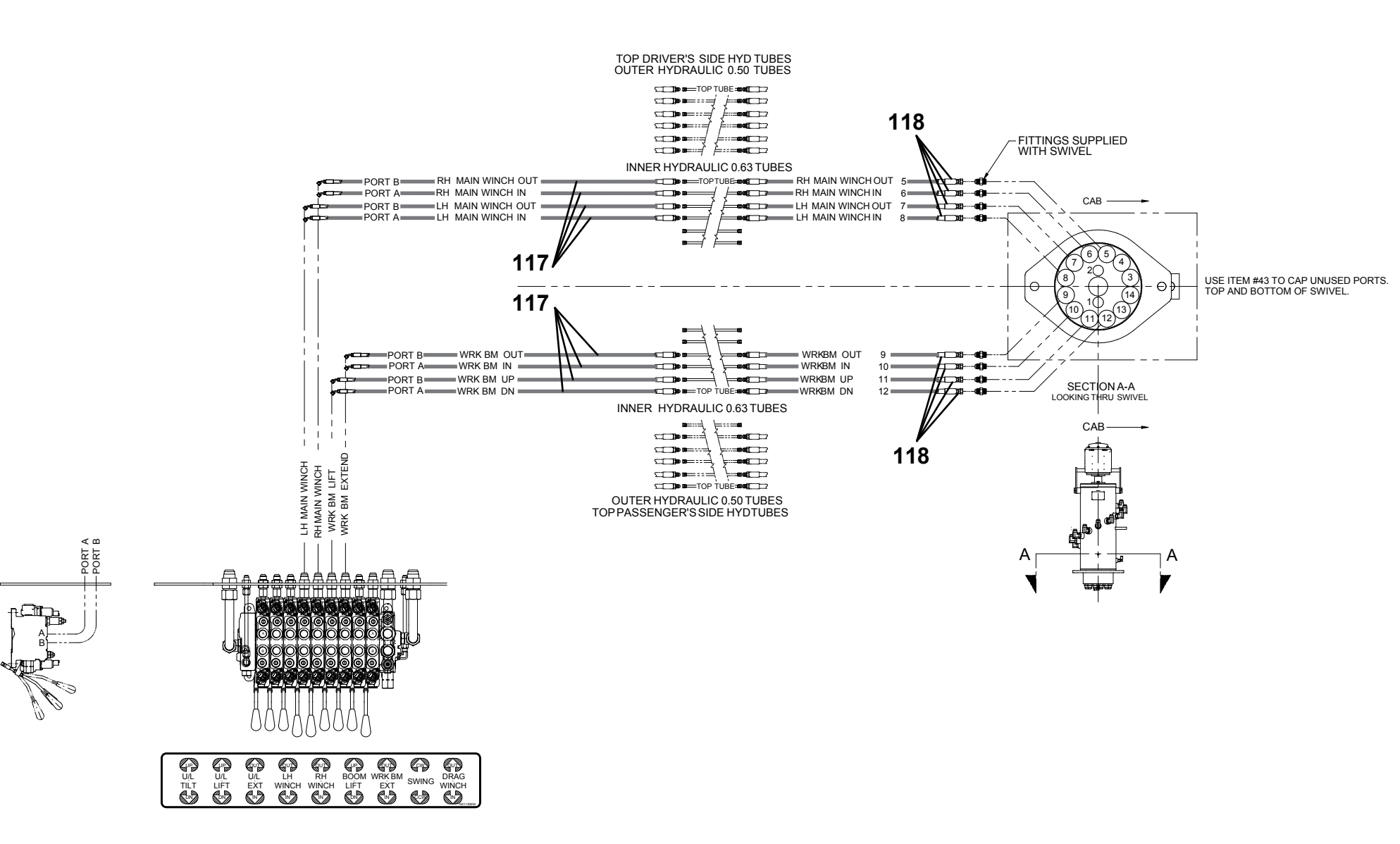
ITEM	PART NO.	DESCRIPTION	QTY	ITEM	PART NO.	DESCRIPTION	QTY
123	1001136884	Hose Assembly	4				
124	4567112024	Hose Assembly	2	701	1001164055	Hose Assembly	4
125	4567112038	Hose Assembly	1	702	4569160030	Hose Assembly	4
126	4567110065	Hose Assembly	1	703	1001163364	Hose Assembly	4
127	4567122064	Hose Assembly	1	704	1001166373	Hose Assembly	4
128	4567120071	Hose Assembly	1	705	7445080845	Adapter	4
129	1001136891	Hose Assembly	4				
130	1001136893	Hose Assembly	1				
131	7565000016	Tubing, Airline	1.5ft				
132	1001136957	Hose Assembly	1				
133	1001136958	Hose Assembly	1				
134	1001136960	Hose Assembly	1				
135	4569180044	Hose Assembly	1				
136	4567182031	Hose Assembly	1				
		UL530/565 Hydraulic Installation					
201	7445060643	Adapter	8				
202	4570000167	Hose Assembly	4				
203	4619000006	Manifold	1				
204	7115161650	Capscrew, 0.38" - 16NC x 2.00"	2				
205	7950160000	Lockwasher, 0.38" ID	2				
206	4567120022	Hose Assembly	2				
		DP 50 Winch Hydraulic Installation					
301	1001136772	Hose Assembly	2				
302	1001136792	Hose Assembly	2				
303	7445101045	Elbow	2				
304	7445101043	Adapter	2				
		DP 35 Winch Hydraulic Installation					
401	7445100845	Elbow	1				
402	1001136761	Hose Assembly	2				
403	7445100843	Adapter	1				
404	2220973	Adapter	1				
		Supply/Pressure Hose Installation					
501	1001136896	Hose Assembly	1				
502	1001136939	Hose Assembly	9.5ft				
		UL300/ 350 Hydraulic Installation					
601	7445060643	Adapter	4				
602	4570000218	Hose Assembly	2				
603	1001136807	Hose Assembly	2				

HYDRAULIC INSTALLATION

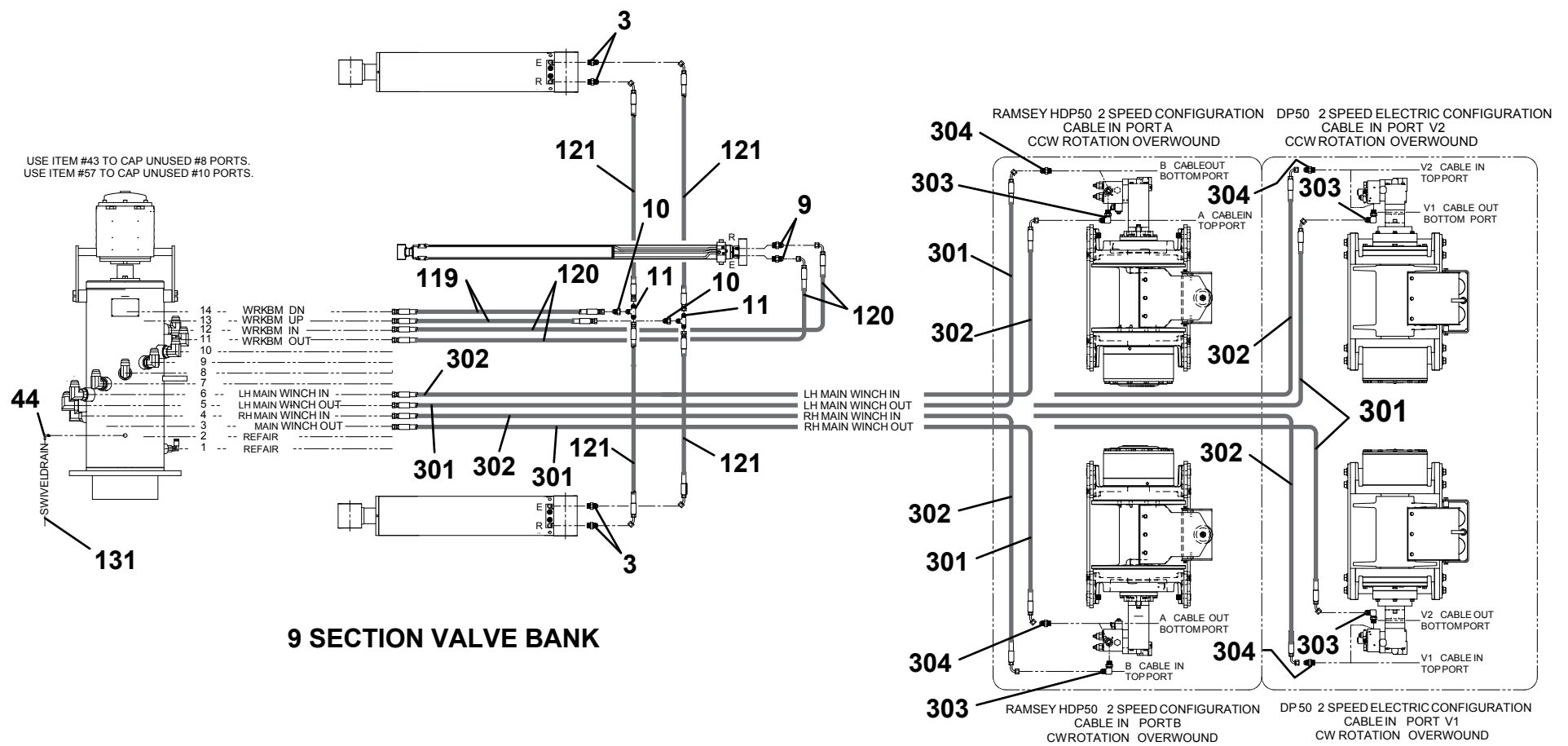


Item #52 and #43 Not Shown

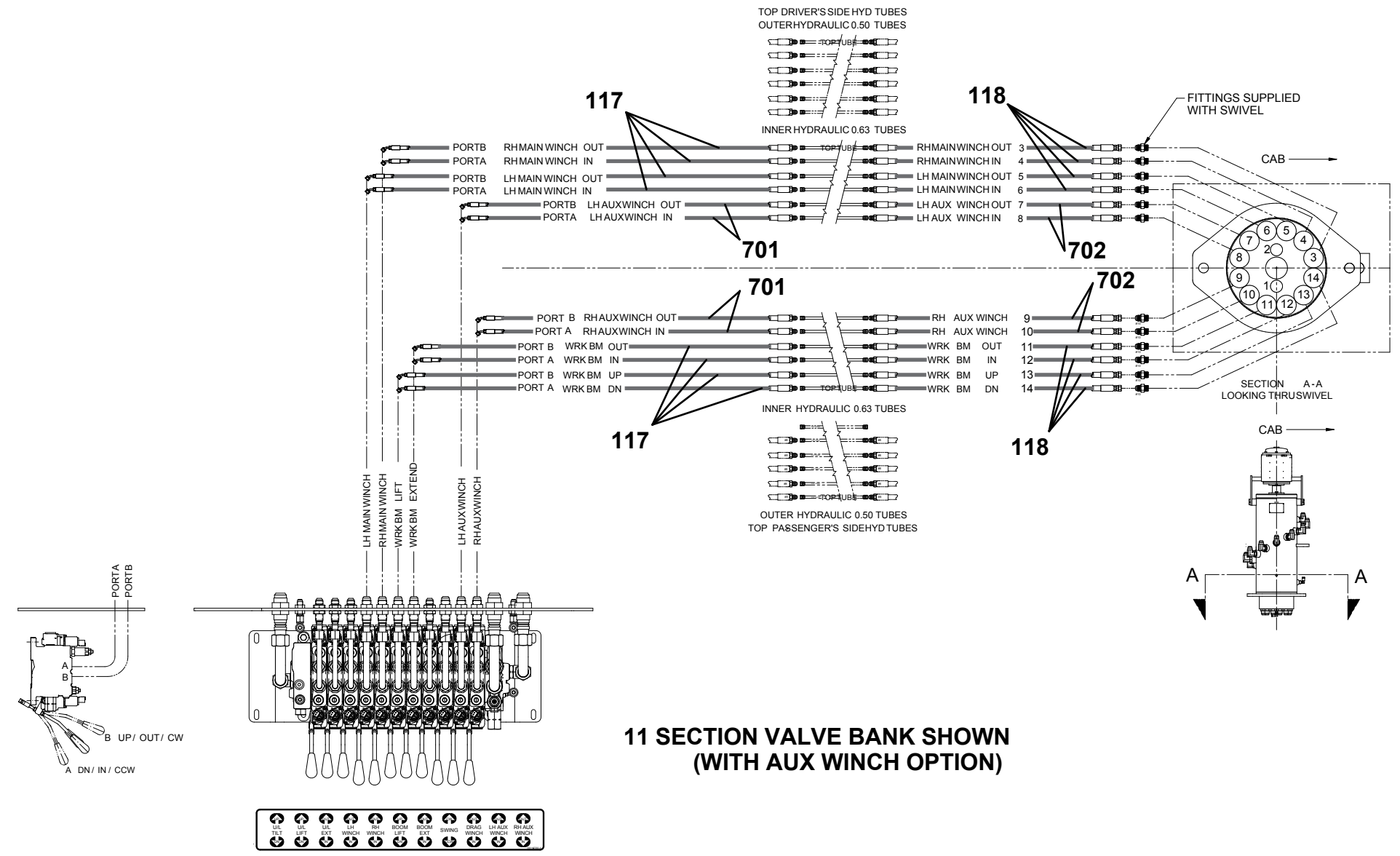
HYDRAULIC INSTALLATION



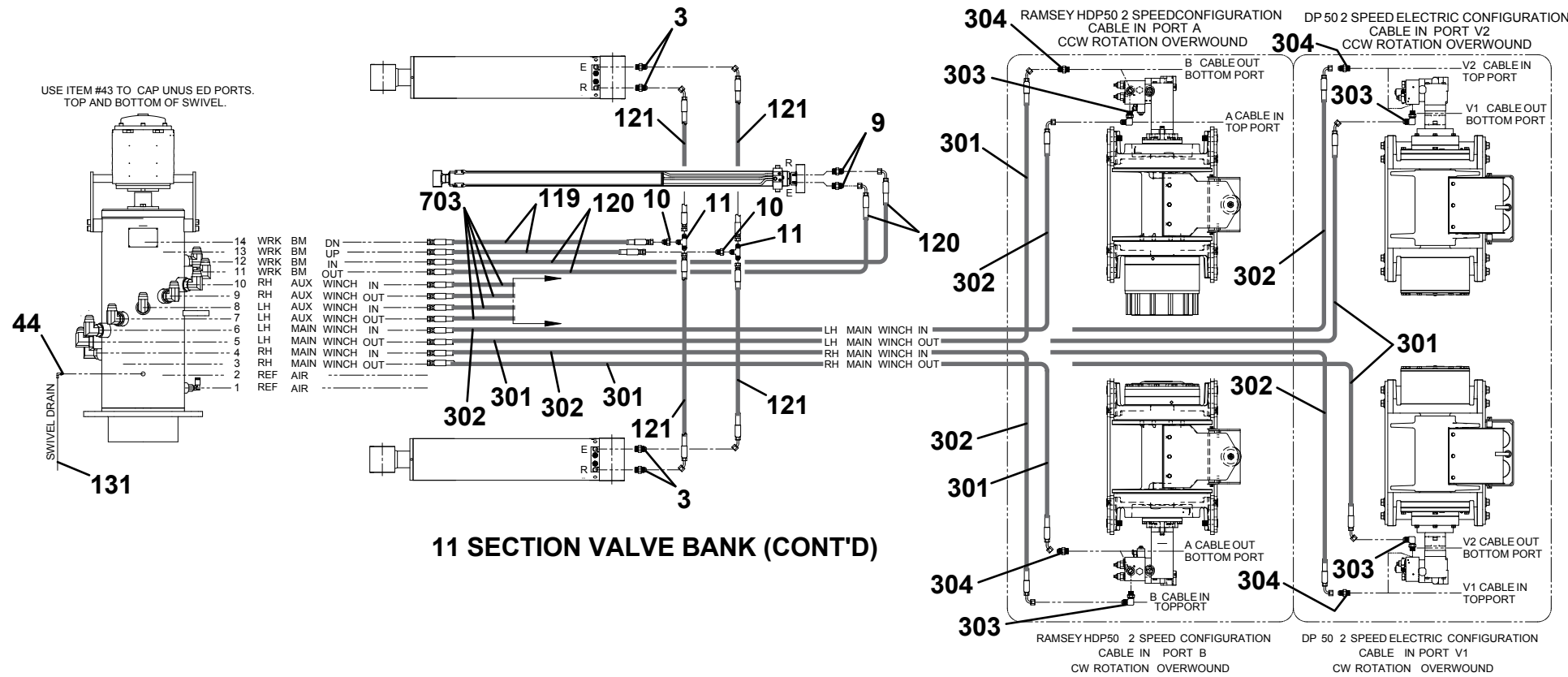
HYDRAULIC INSTALLATION



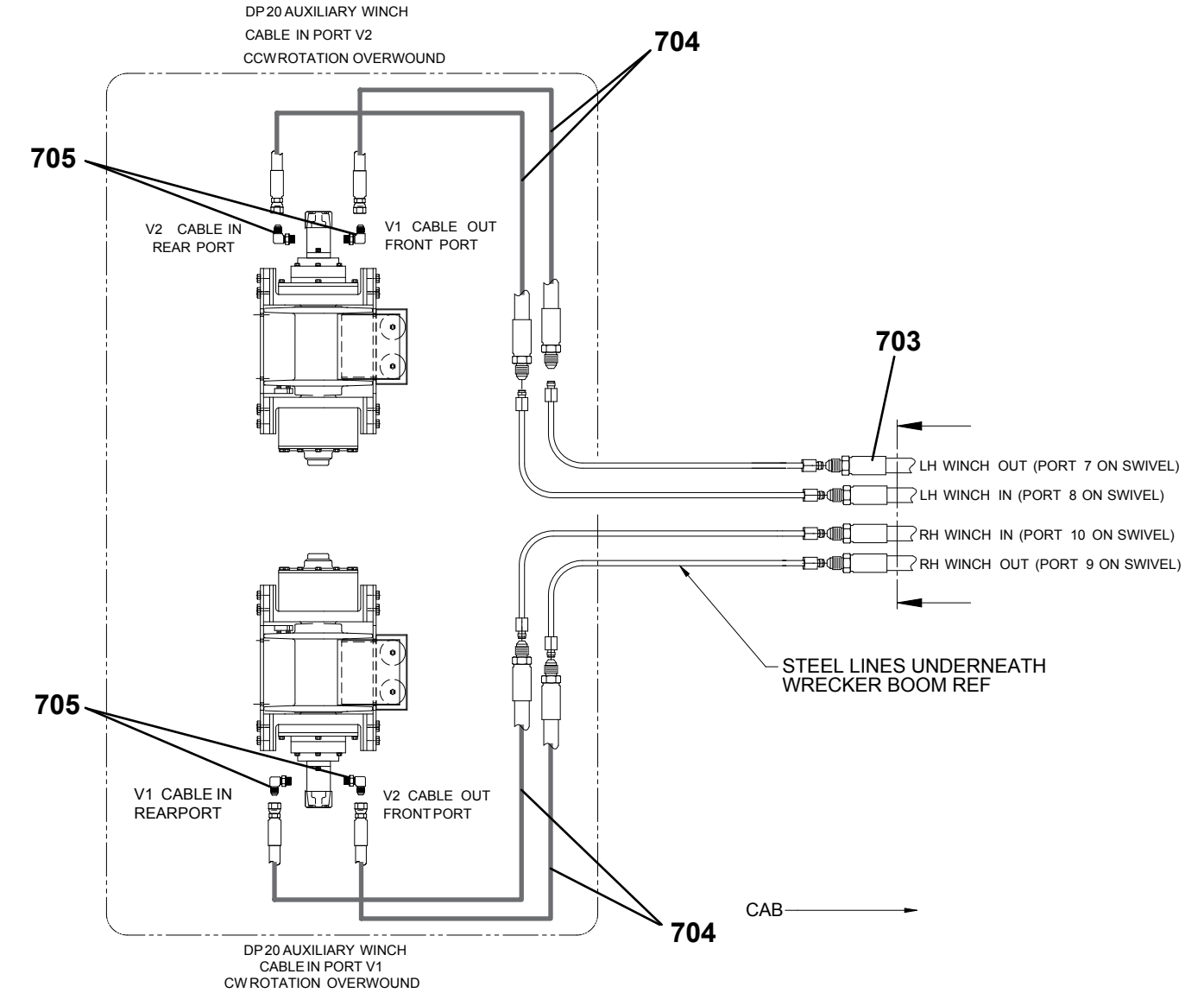
HYDRAULIC INSTALLATION



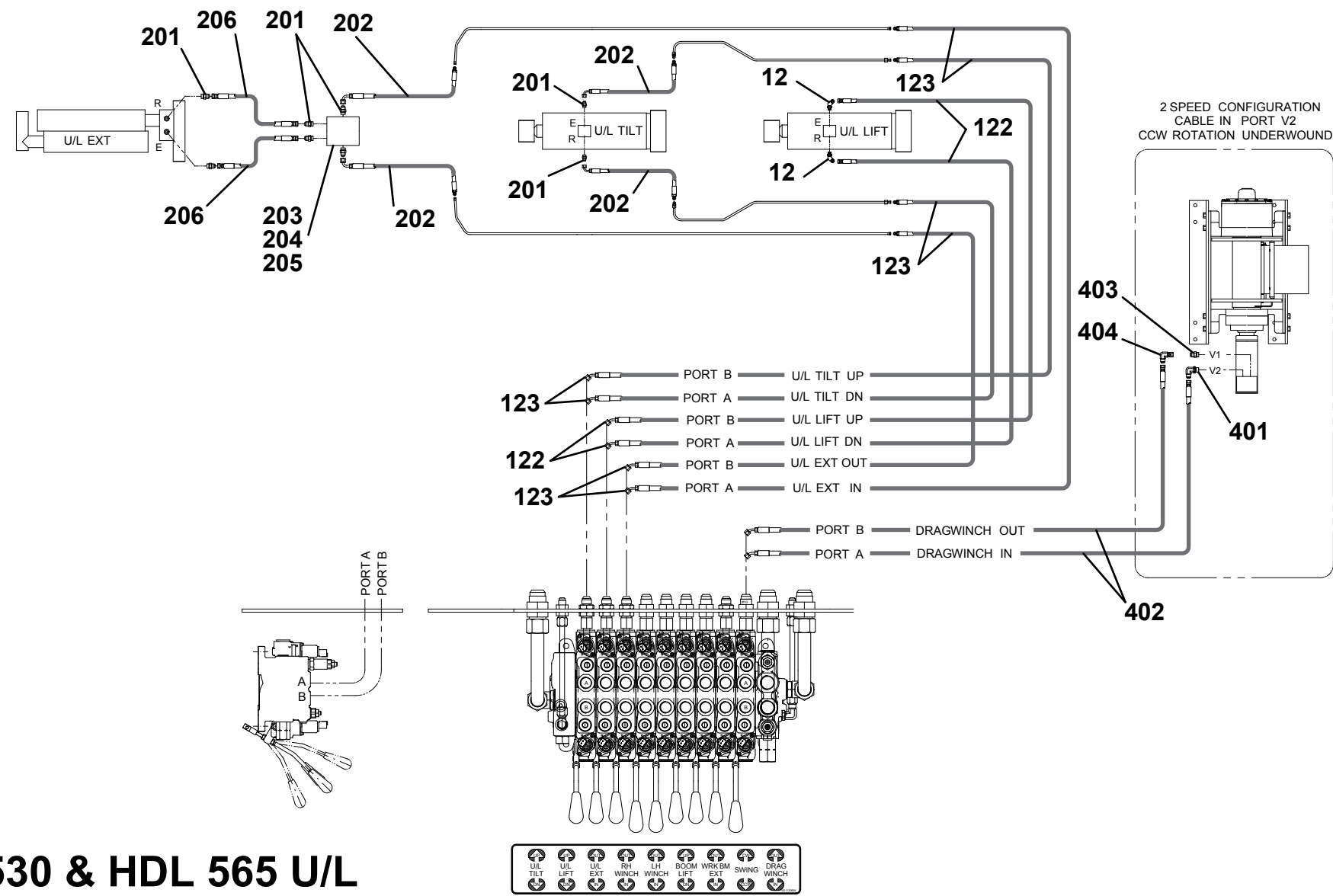
HYDRAULIC INSTALLATION



HYDRAULIC INSTALLATION

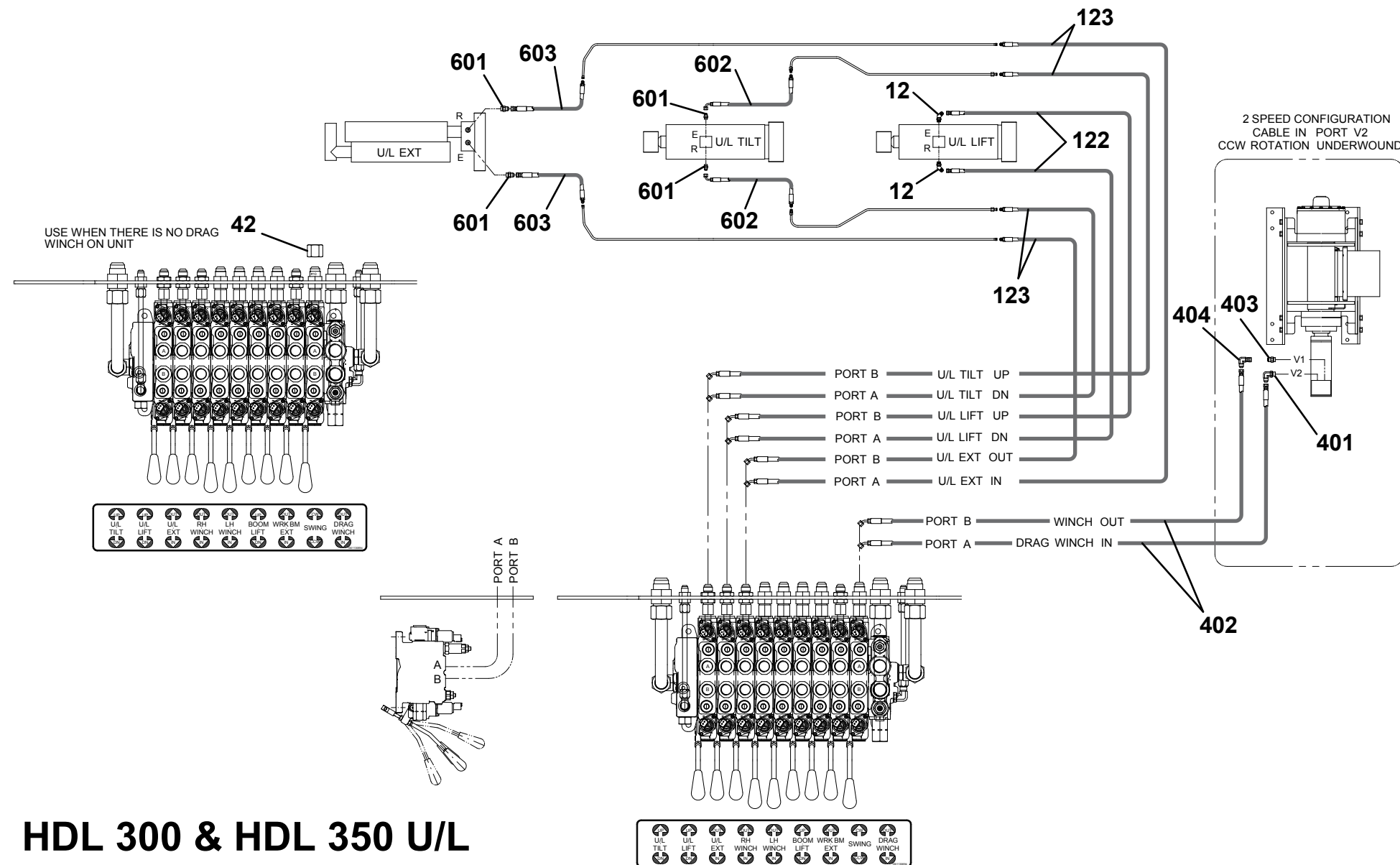


HYDRAULIC INSTALLATION



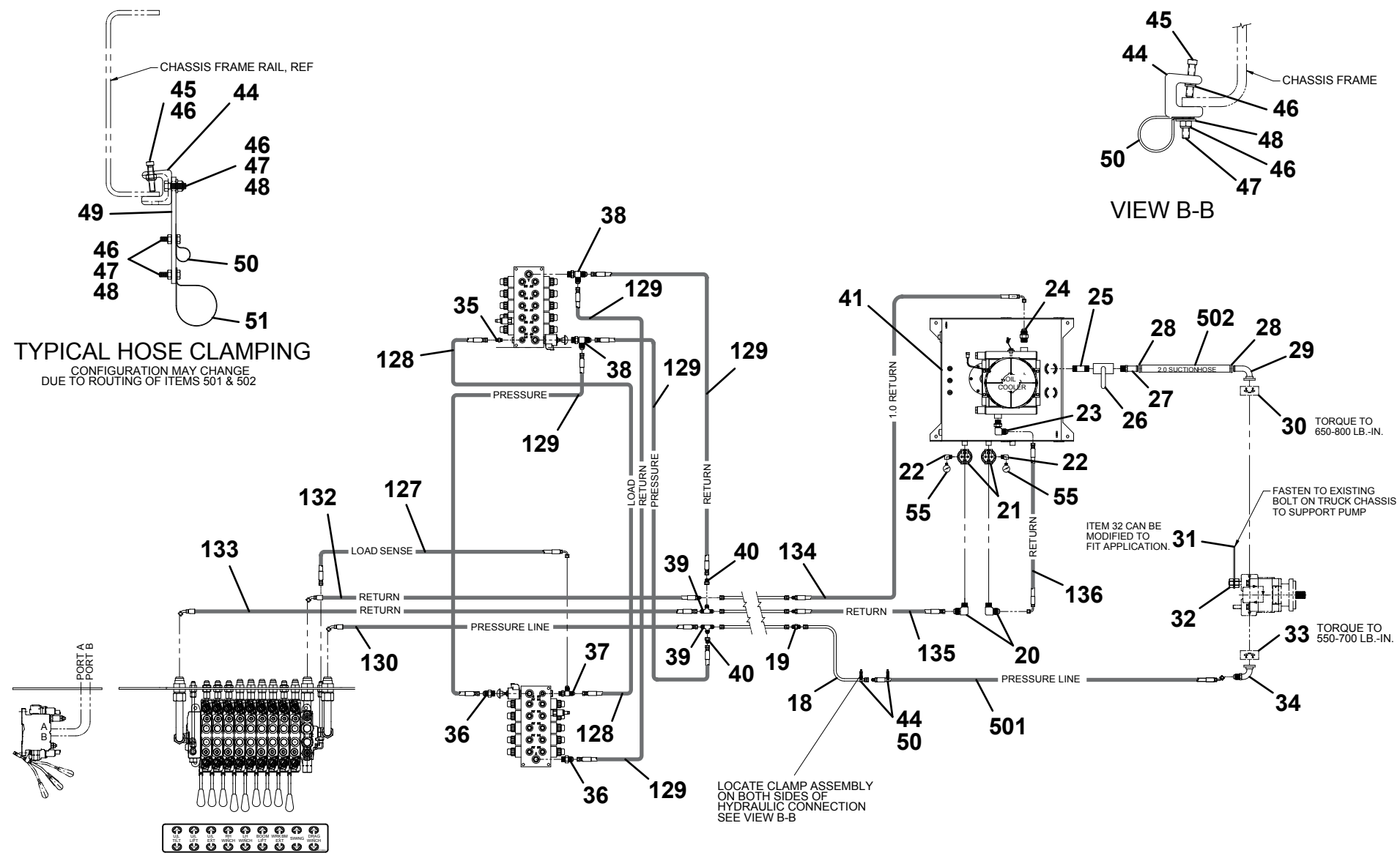
HDL 530 & HDL 565 U/L

HYDRAULIC INSTALLATION

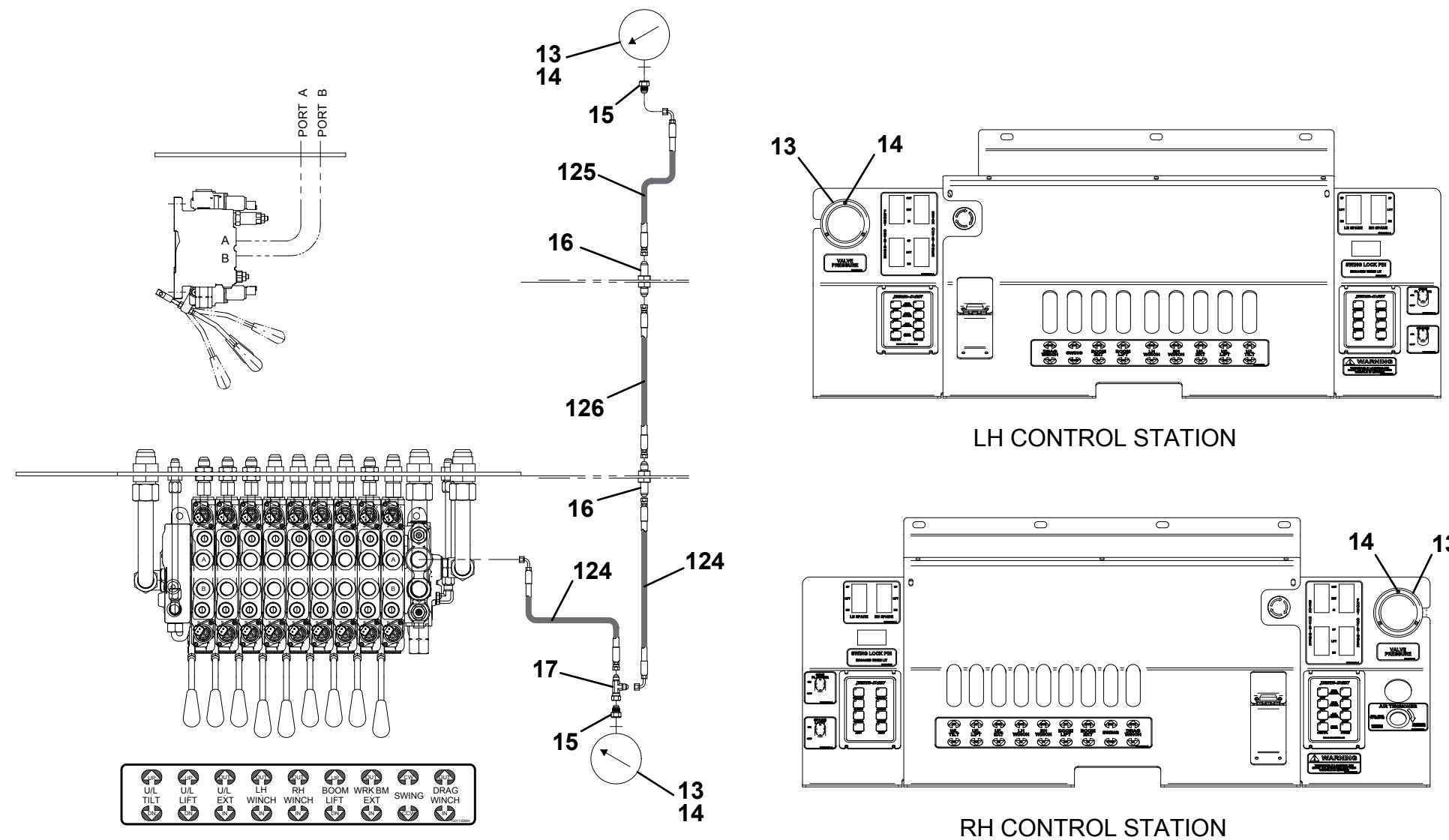


HDL 300 & HDL 350 U/L

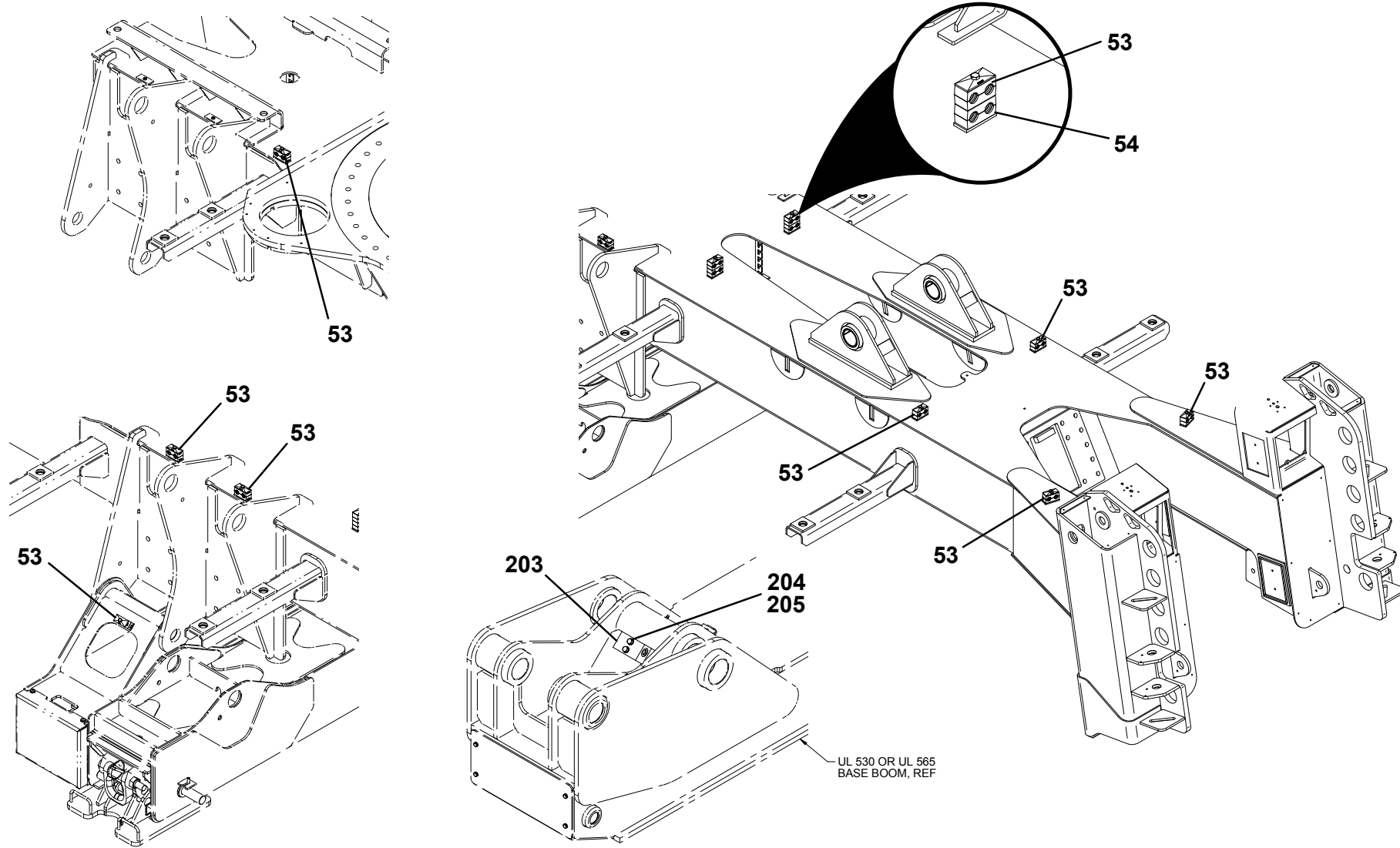
HYDRAULIC INSTALLATION



HYDRAULIC INSTALLATION



HYDRAULIC INSTALLATION



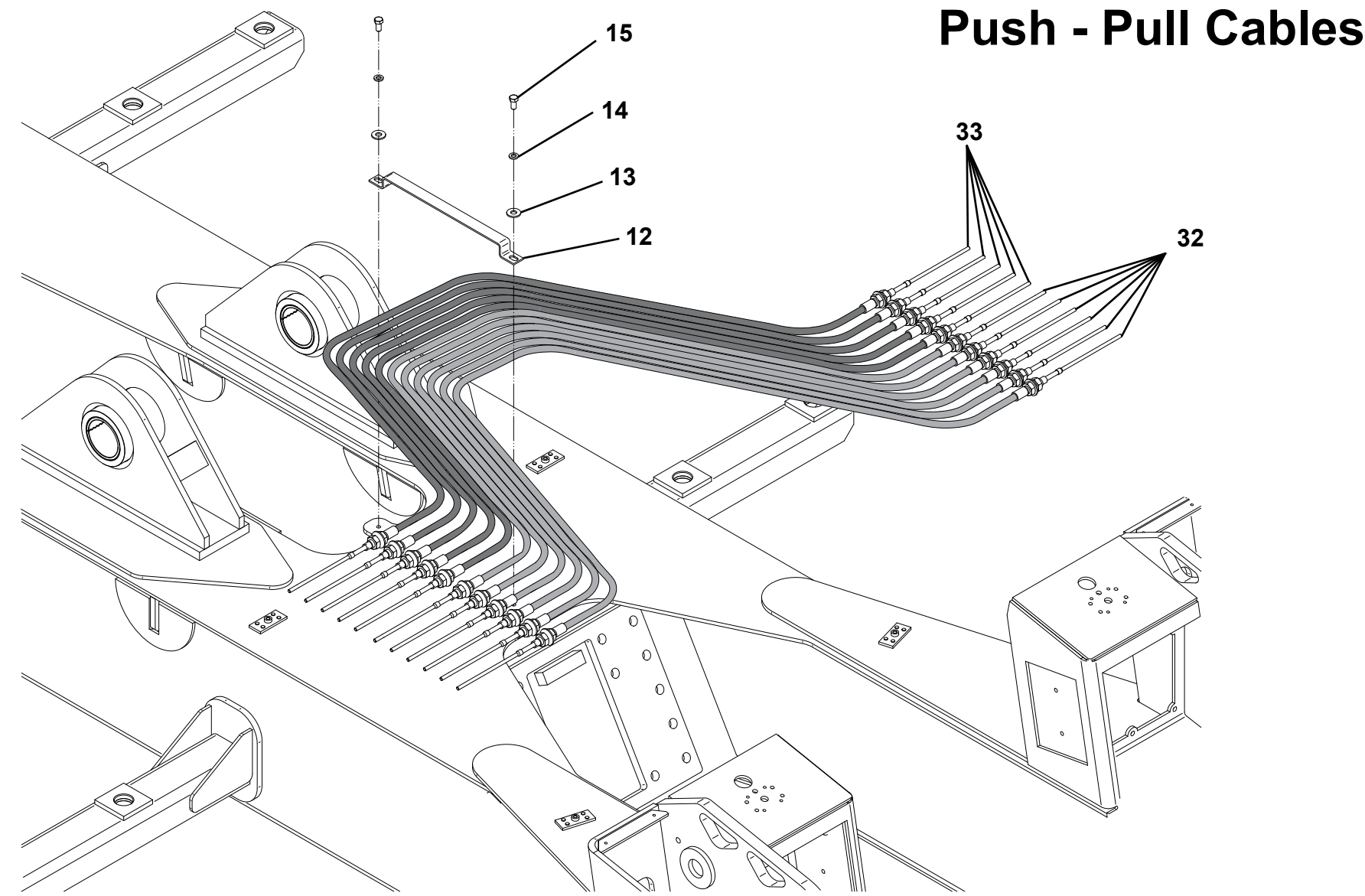
HYDRAULIC INSTALLATION

THIS PAGE INTENTIONALLY LEFT BLANK

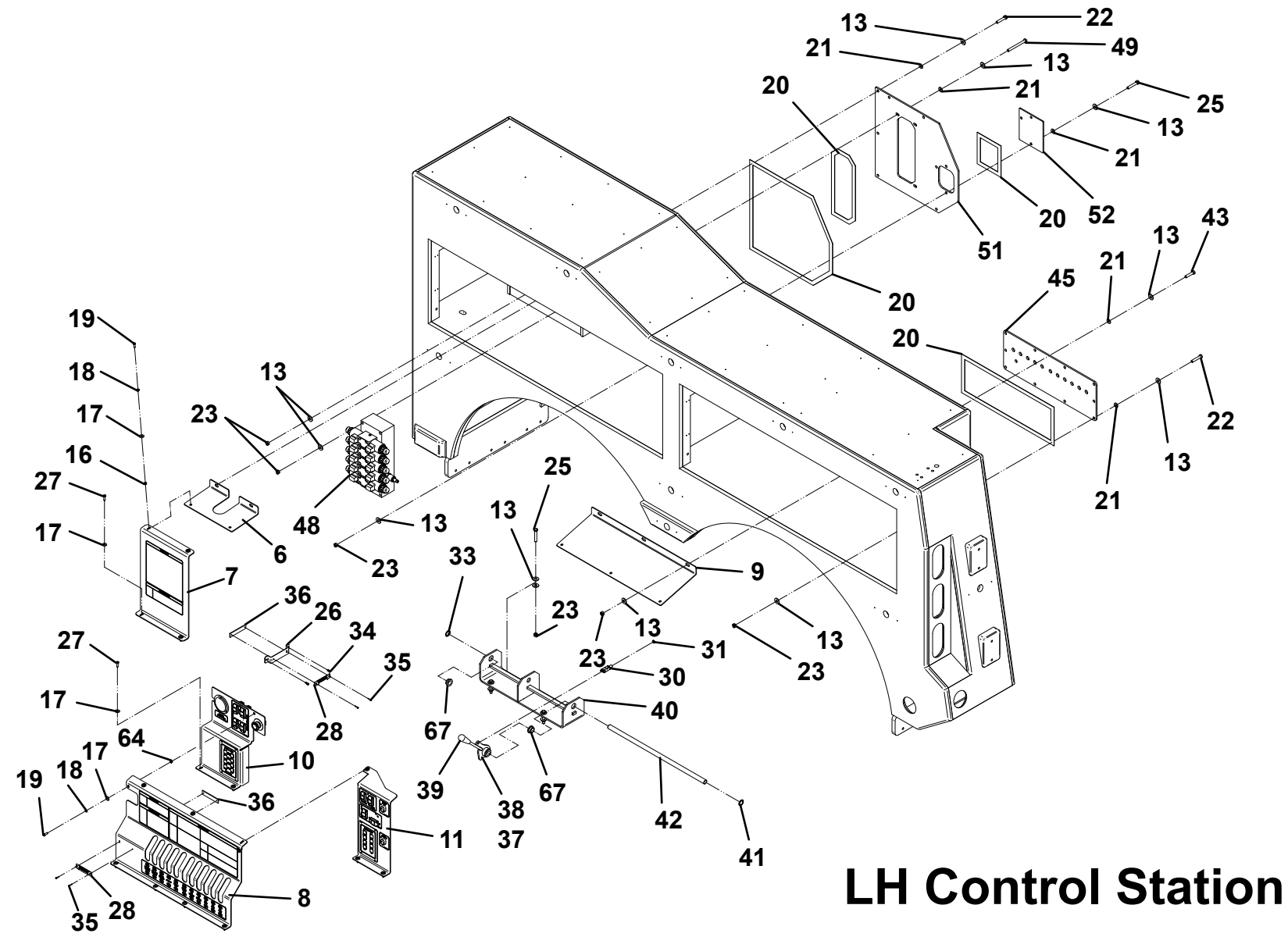
CONTROLS INSTALLATION - 9 SECTION & 11 SECTION

ITEM	PART NO.	DESCRIPTION	QTY	ITEM	PART NO.	DESCRIPTION	QTY
1	1001171113	Valve Assembly, 9 Section	1	35	7120000047	Screw, #4-40NC x 0.62"	8
	1001166966	Valve Assembly, 11 Section	1	36	1001156079	Bar	4
2	1001172652	Panel, RH 9 Section	1	37	1001130086	Handle, Long	3
	1001172758	Panel, RH 11 Section	1	38	1001130087	Handle, Short	6
3	1001172651	Panel, Top	1	39	1001130491	Ball Knob	9
4	1001154069	Panel, RH	1	40	1001130262	Bracket, 9 Section	1
5	1001154274	Panel, RH	1		1001157245	Bracket, 11 Section	1
6	1001134411	Panel	2	41	7754000009	Retaining Ring	2
7	1001134412	Panel	2	42	7806000008	Shaft, 9 Section	1
8	1001154275	Panel, 9 Section	1		1001157309	Shaft, 11 Section	1
	1001157228	Panel, 11 Section	1	43	7115161450	Capscrew, 0.38"-16NC X 1.75"	3
9	1001130347	Panel	1	45	1001171114	Plate, 9 Section	1
10	1001154276	Panel	1		1001163681	Plate, 11 Section	1
11	1001163690	Panel	1	48	1001134376	Valve	2
12	4062000717	Bar	1	49	7115163250	Capscrew, 0.38"-16NC X 4.00"	6
13	7950160161	Flatwasher, 0.38"	120	50	1001137159	Plate	1
14	7950160000	Lockwasher, 0.38" ID	2	51	1001163674	Plate	1
15	7115160650	Bolt, 0.38"-16NC X 0.75"	2	52	1001163687	Plate	1
16	7413000002	Nutsert 0.25"-20NC	21	53	1001154277	Decal, Remote	1
17	7950140161	Flatwasher, 0.25"	34	54	1001134433	Decal, Air Tensioner	1
18	7950140000	Lockwasher, 0.25" ID	22	55	1001134462	Decal, Outriggers	1
19	7114140618	Capscrew, 0.25"-20NC x 0.75"	22	56	1001131032	Decal, Valve pressure	2
20	7796000012	Seal	30 FT	57	1001134461	Decal, Spades	2
21	1001166974	Washer, 0.38" ID	51	58	1001154075	Decal, Swing	2
22	7115161650	Bolt, 0.38"-16NC X 2.00"	35	59	1001134450	Decal, 9 Section - RH	1
23	7660162601	Locknut, 0.38"-16UNC	59		1001157232	Decal, 11 section - RH	1
25	7115161850	Capscrew, 0.38"-16NC x 2.25"	11	60	1001136146	Decal	2
26	1001167099	Level	2	61	1001137160	Decal	2
27	751408	Screw, 0.25" x 1.00"	20	62	1001134463	Decal, Outrigger	1
28	1001156279	Inclinometer	4	63	1001130696	Decal, 9 Section - LH	1
29	1001166978	Washer, 0.25"	8		1001157233	Decal, 11 Section - LH	1
30	7577000273	Yoke, 9 Section	18	64	7660140001	Nut, 0.25"-20NC	1
	7577000273	Yoke, 11 Section	22	65	1001157240	Panel	1
31	7660140230	Nut, 0.25"-28NF, 9 Section	18	67	7082000005	Bearing	2
	7660140230	Nut, 0.25"-28NF, 11 Section	22	68	7115161050	Capscrew, 0.38"-16UNC X 1.25"	4
32	1001163652	Cable, 107"	6				
33	1001163651	Cable, 99" - 9 Section	3				
	1001163651	Cable, 99" - 11 Section	5				
34	1001166322	Screw, #10-12NC X 0.62"	4				

CONTROLS INSTALLATION - 9 SECTION & 11 SECTION

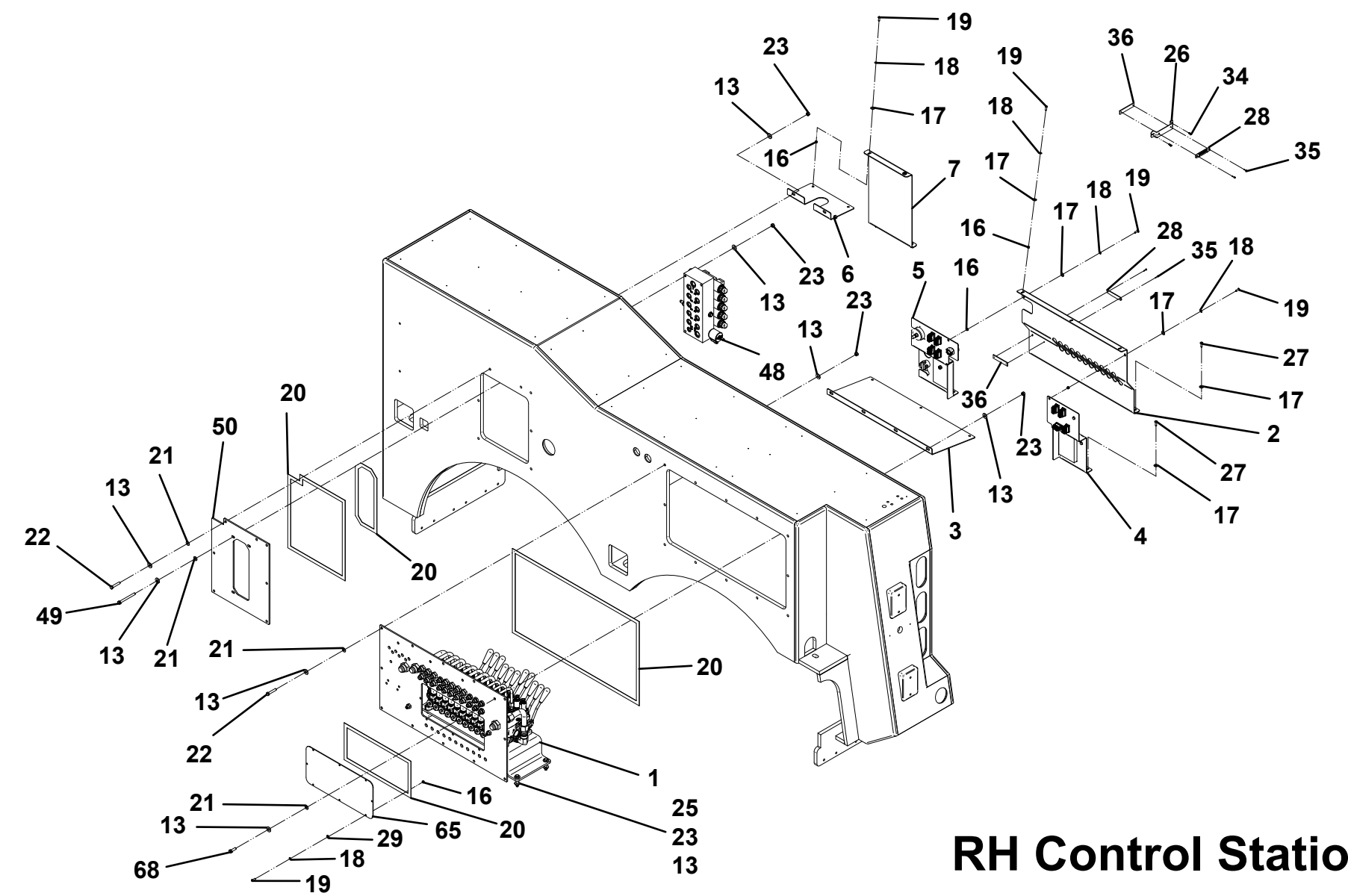


CONTROLS INSTALLATION - 9 SECTION & 11 SECTION



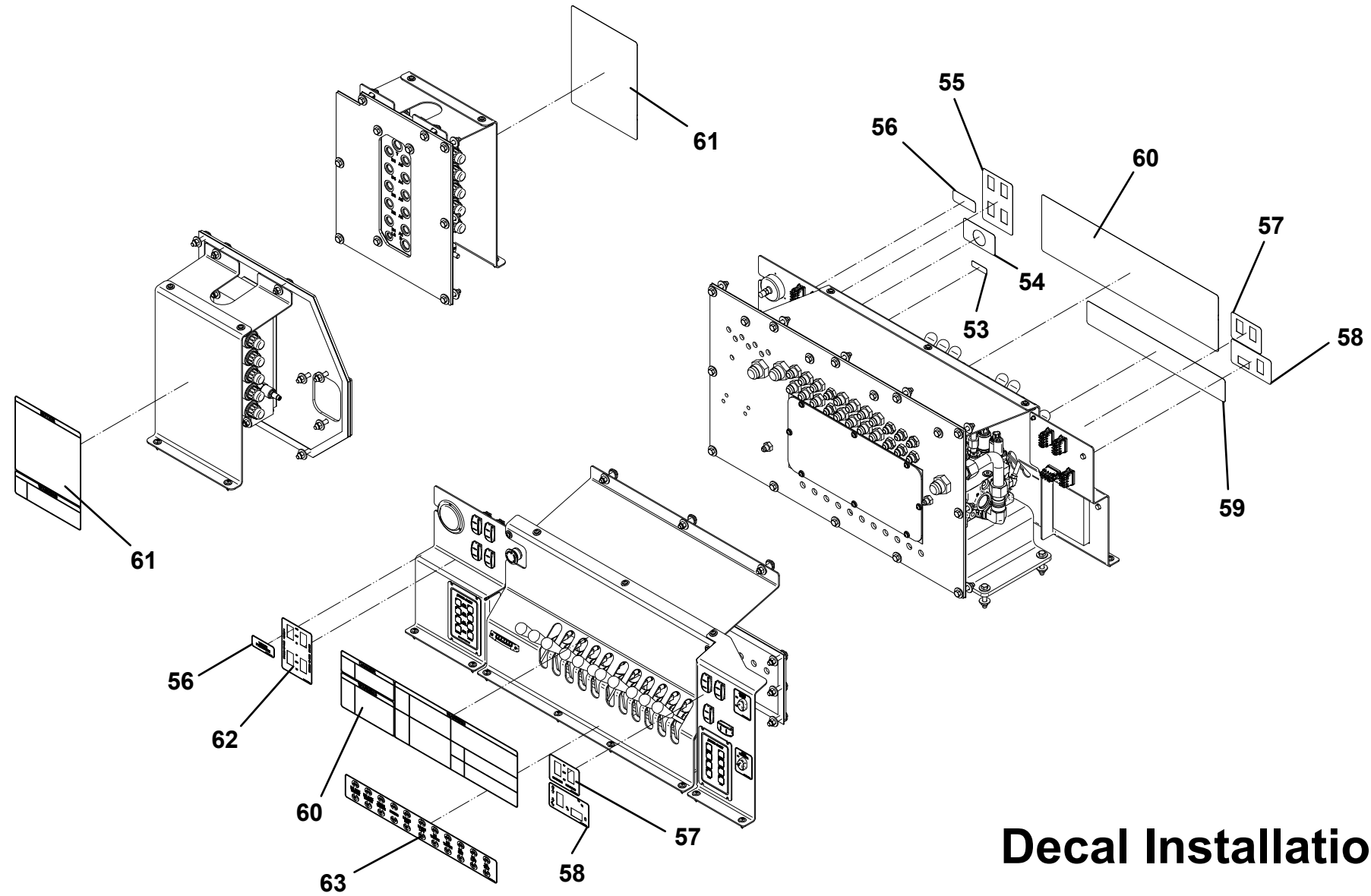
LH Control Station

CONTROLS INSTALLATION - 9 SECTION & 11 SECTION



RH Control Station

CONTROLS INSTALLATION - 9 SECTION & 11 SECTION



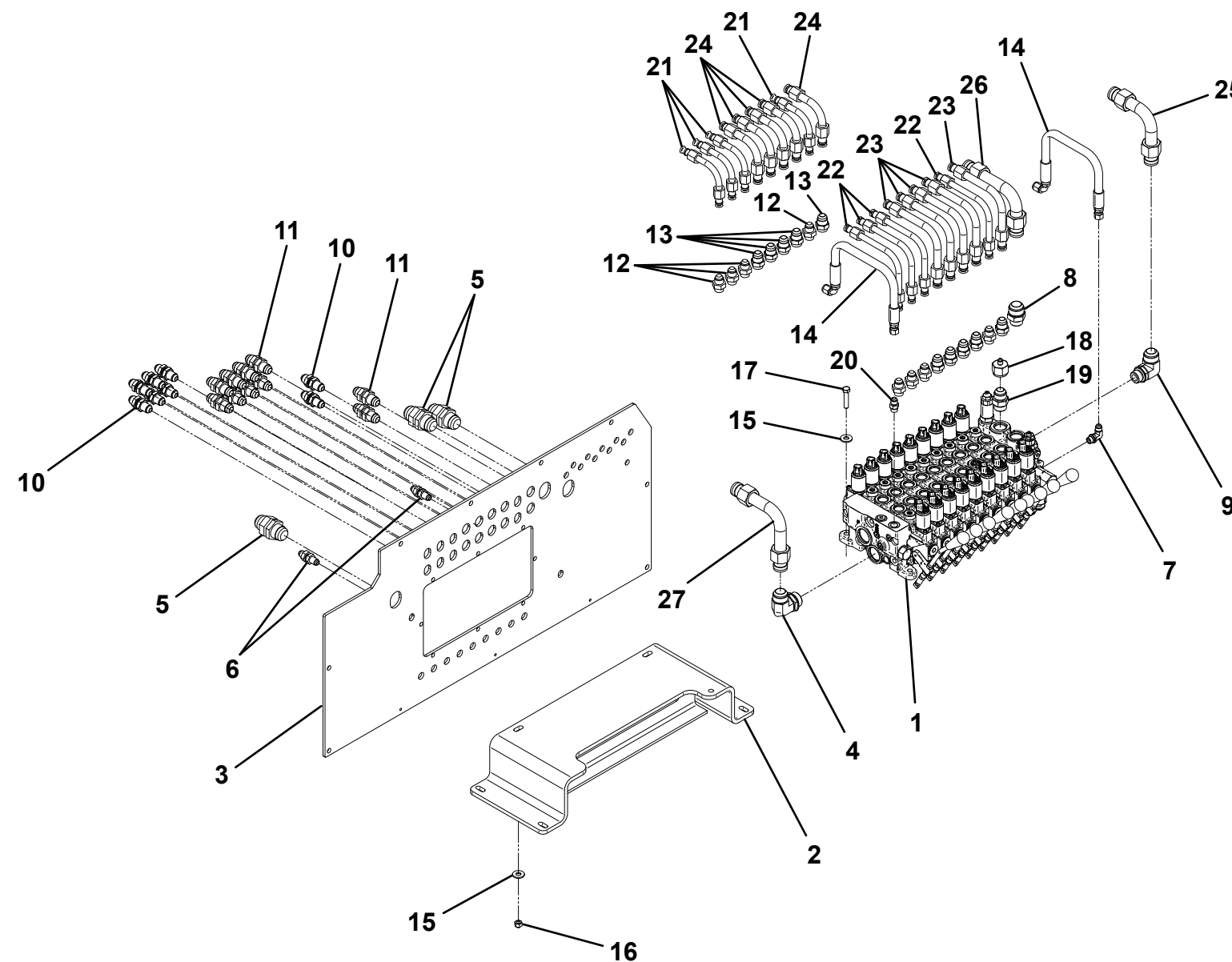
THIS PAGE INTENTIONALLY LEFT BLANK

VALVE ASSEMBLY, 9 SECTION - 1001171113

ITEM	PART NO.	DESCRIPTION	QTY
1	1001127671	Valve, 9 Section Control	1
2	1001130258	Mount, Control Valve	1
3	1001171106	Plate, Bulkhead	1
4	7445161645	Fitting, Elbow	1
5	7445161625	Fitting, Union Bulkhead	3
6	7445060625	Fitting, Union Bulkhead	2
7	7445060645	Fitting, Elbow	1
8	7445161243	Fitting, Adapter	1
9	7445161245	Fitting, Elbow	1
10	7445080825	Fitting, Union Bulkhead	8
11	7445101025	Fitting, Union Bulkhead	10
12	7445081043	Fitting, Adapter	8
13	7445101043	Fitting, Adapter	10
14	4567122014	Hose Assembly	2
15	7950160161	Flatwasher, 0.38" ID	6
16	7660162601	Locknut, 0.38"-16NC	3
17	7115161450	Capscrew, 0.38"-16NC x 1.75"	3
18	7443000207	Fitting, Reducer	1
19	7445121243	Fitting, Adapter	1
20	7445060643	Fitting, Adapter	1
21	1001130208*	Pipe, Tube Assembly 0.50" Dia "A" Port	4
22	1001130209*	Pipe, Tube Assembly 0.50" Dia "B" Port	4
23	1001130210*	Pipe, Tube Assembly 0.62" Dia "A" Port	5
24	1001130211*	Pipe, Tube Assembly 0.62" Dia "B" Port	5
25	1001130215*	Pipe, Tube Assembly 1.00" Dia Inlet	1
26	1001130216*	Pipe, Tube Assembly 1.00" Dia Inlet	1
27	1001130217*	Pipe, Tube Assembly 1.00" Dia Outlet	1

* Available in Pipe Kit - 1001130218

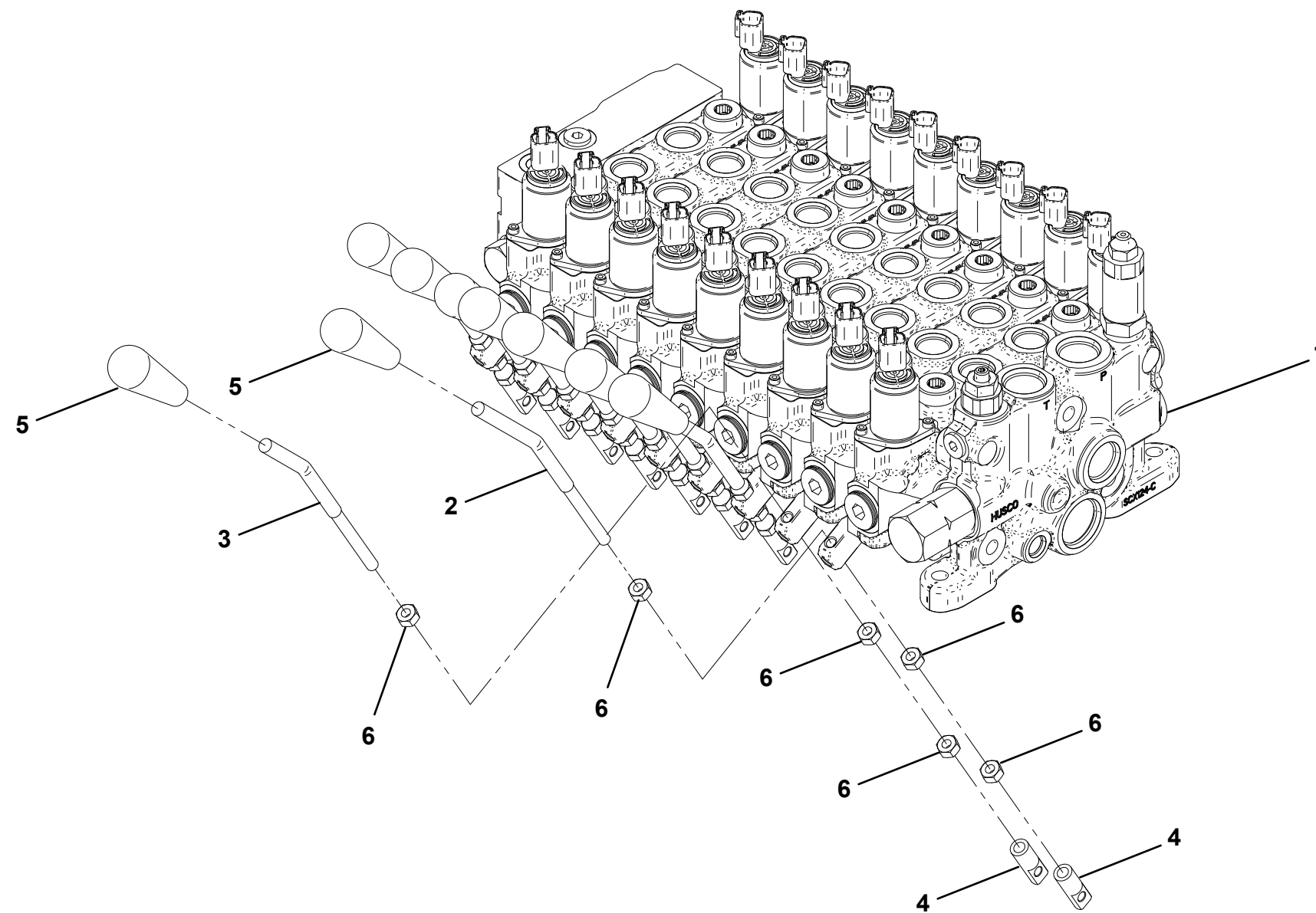
VALVE ASSEMBLY, 9 SECTION - 1001177113



VALVE ASSEMBLY, 9 SECTION - 1001127671

ITEM	PART NO.	DESCRIPTION	QTY
1	1001131131	Valve, 9 Section Control	1
2	1001131124	Handle, Long Control	3
3	1001131123	Handle, Short Control	6
4	1001131129	Adapter	9
5	1001130491	Ball, Knob	9
6	7660150000	Nut, 0.31"-18NC	27

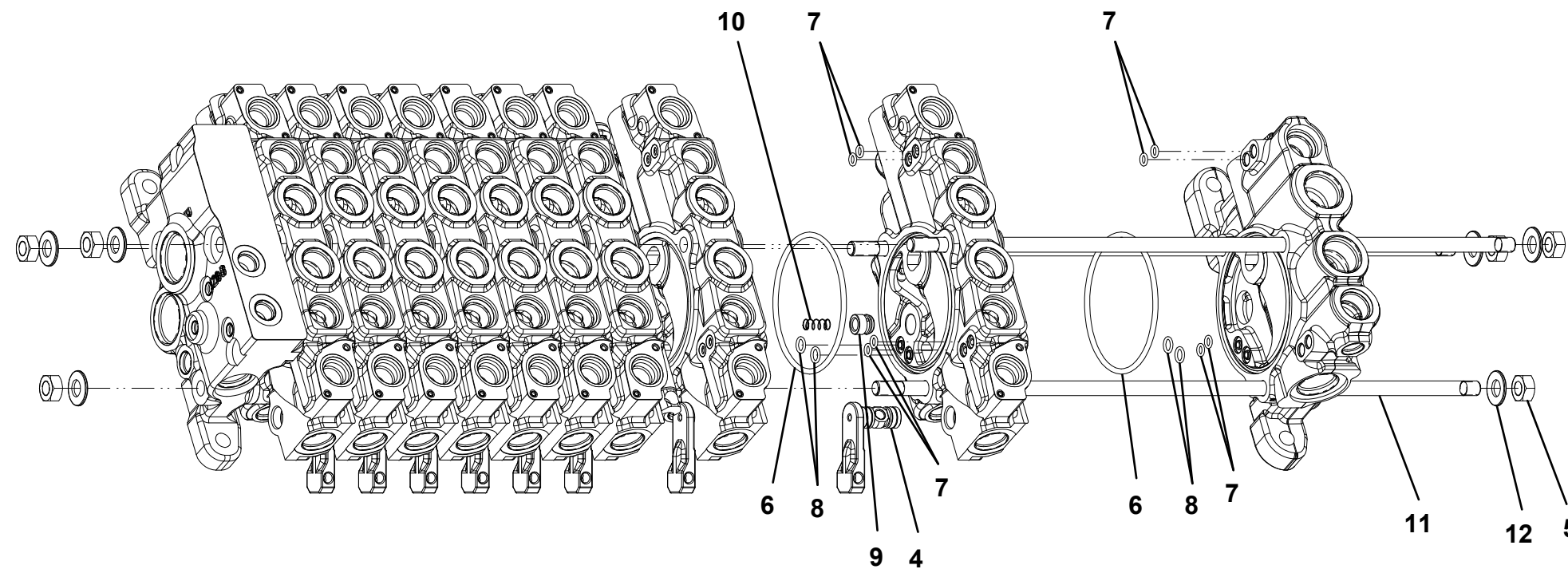
VALVE ASSEMBLY, 9 SECTION - 1001127671



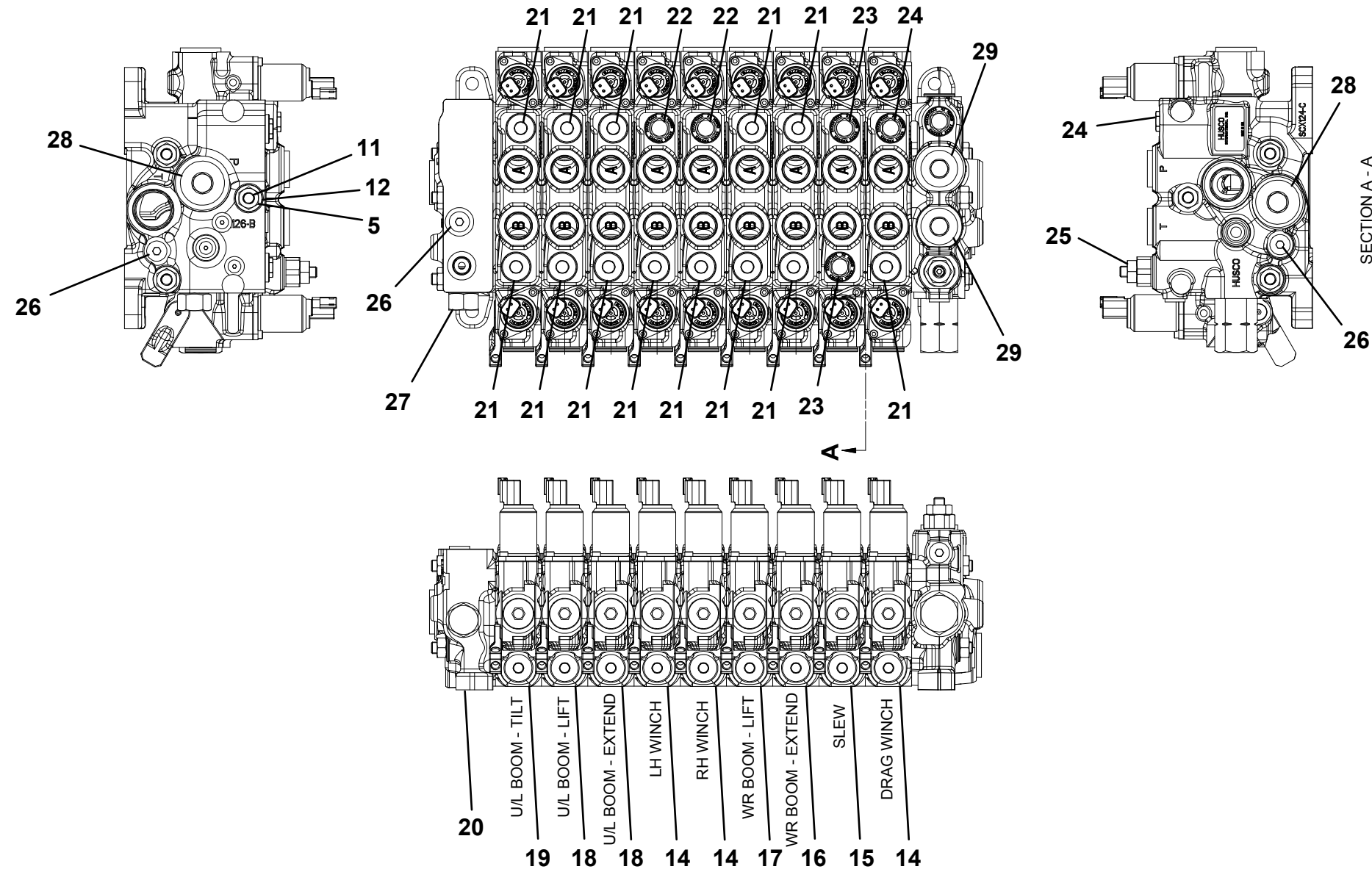
CONTROL VALVE - 9 SECTION - 1001131131

ITEM	PART NO.	DESCRIPTION	QTY
1	70050492	Spring	1
2	70050501	Set Screw	1
3	70050502	Plug Assembly - SAE	9
4	70050510	Lever Assembly	8
5	70050481	Nut	6
6	8034697	O-Ring	10
7	70050508	O-Ring	40
8	70050507	O-Ring	20
9	10837929	Poppet	9
10	10837937	Spring	9
11	70050483	Tie Rod	3
12	70050482	Washer - Compression	6
13	70050491	Inlet Section Assembly	1
14	70050490	Spool Section Assembly	3
15	70050489	Spool Section Assembly	1
16	70050488	Spool Section Assembly	1
17	70050487	Spool Section Assembly	1
18	70050486	Spool Section Assembly	2
19	70050485	Spool Section Assembly	1
20	70050484	Outlet Section Assembly	1
21	70050480	Shut Off Plug Assembly	13
22	70050479	Relief Valve Assembly	3
23	70050478	Relief Valve Assembly	2
24	70050477	Relief Valve Assembly	1
25	70050476	Drain Regulator Assembly	1
26	70050475	Plug Assembly - SAE	3
27	70050474	Pressure Regulating Valve Assembly	1
28	70050473	Plug Assembly - SAE	2
29	70050472	Plug Assembly - SAE	2
30	70050503	Plug Assembly - Metric	10
31	70050506	Ball	1
32	70050505	Cap Assembly	1
33	70050504	Plug Assembly - Metric	16

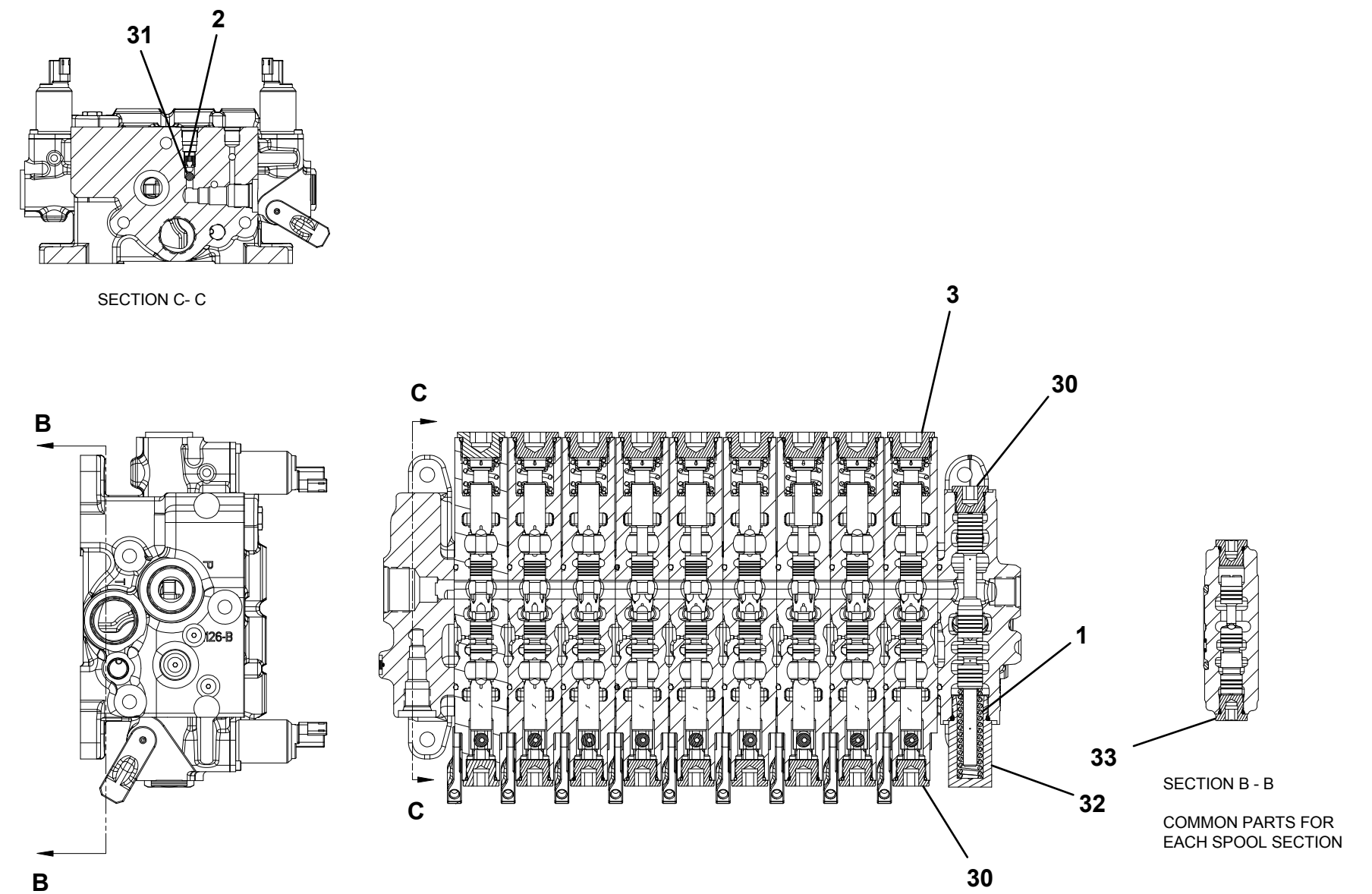
CONTROL VALVE - 9 SECTION - 1001131131



CONTROL VALVE - 9 SECTION - 1001131131



CONTROL VALVE - 9 SECTION - 1001131131

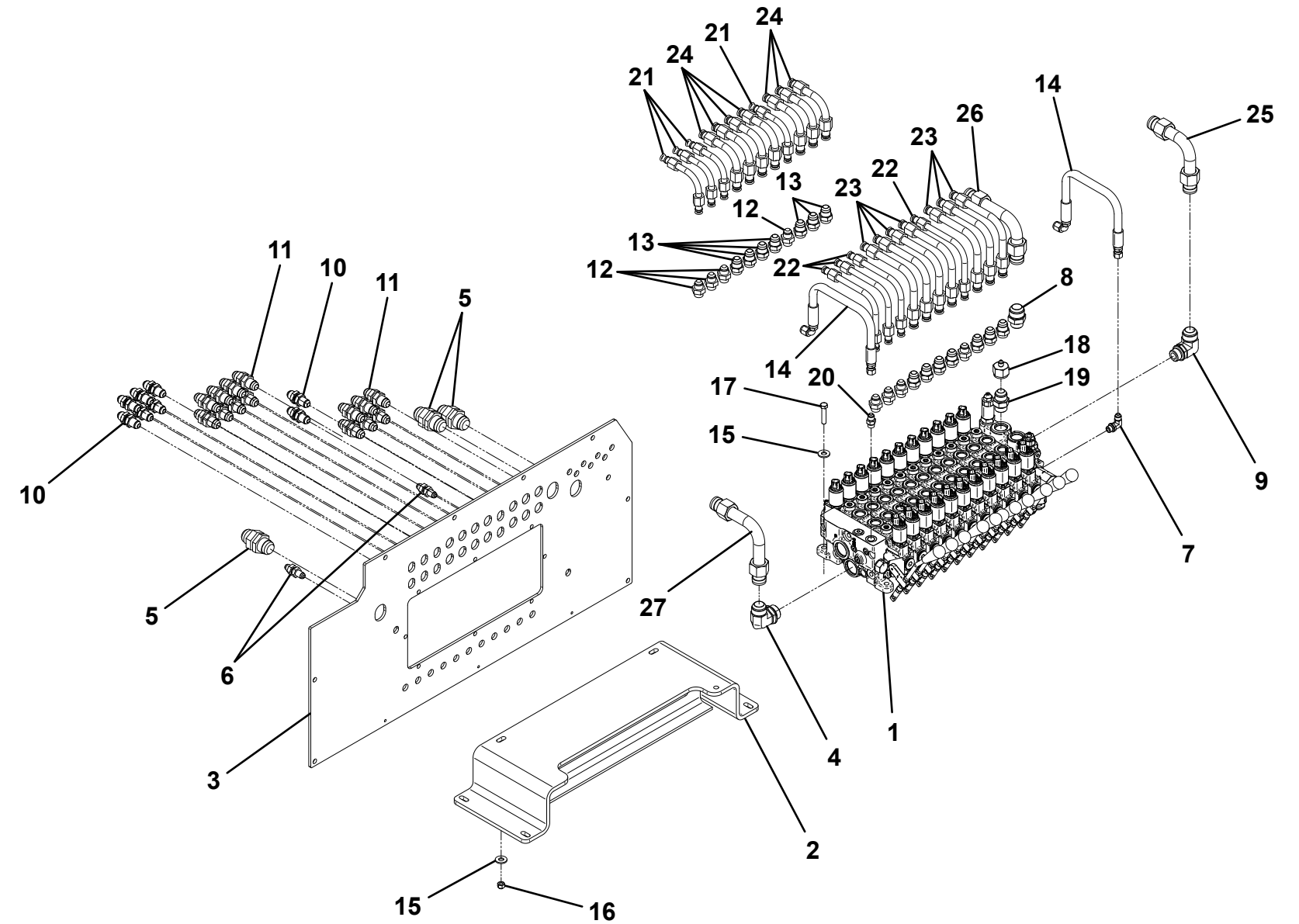


VALVE ASSEMBLY, 11 SECTION - 1001166966

ITEM	PART NO.	DESCRIPTION	QTY
1	1001127327	Valve, 11 Section Control	1
2	1001157110	Mount, Control Valve	1
3	1001163682	Plate, Bulkhead	1
4	7445161645	Fitting, Elbow	1
5	7445161625	Fitting, Union Bulkhead	3
6	7445060625	Fitting, Union Bulkhead	2
7	7445060645	Fitting, Elbow	1
8	7445161243	Fitting, Adapter	1
9	7445161245	Fitting, Elbow	1
10	7445080825	Fitting, Union Bulkhead	8
11	7445101025	Fitting, Union Bulkhead	14
12	7445081043	Fitting, Adapter	8
13	7445101043	Fitting, Adapter	14
14	4567122014	Hose Assembly	2
15	7950160161	Flatwasher, 0.38" ID	6
16	7660162601	Locknut, 0.38"-16NC	3
17	7115161450	Capscrew, 0.38"-16NC x 1.75"	3
18	7443000207	Fitting, Reducer	1
19	7445121243	Fitting, Adapter	1
20	7445060643	Fitting, Adapter	1
21	1001130208*	Pipe, Tube Assembly 0.50" Dia "A" Port	4
22	1001130209*	Pipe, Tube Assembly 0.50" Dia "B" Port	4
23	1001130210*	Pipe, Tube Assembly 0.62" Dia "A" Port	7
24	1001130211*	Pipe, Tube Assembly 0.62" Dia "B" Port	7
25	1001130215*	Pipe, Tube Assembly 1.00" Dia Inlet	1
26	1001130216*	Pipe, Tube Assembly 1.00" Dia Inlet	1
27	1001130217*	Pipe, Tube Assembly 1.00" Dia Outlet	1

* Available in Pipe Kit - 1001157212

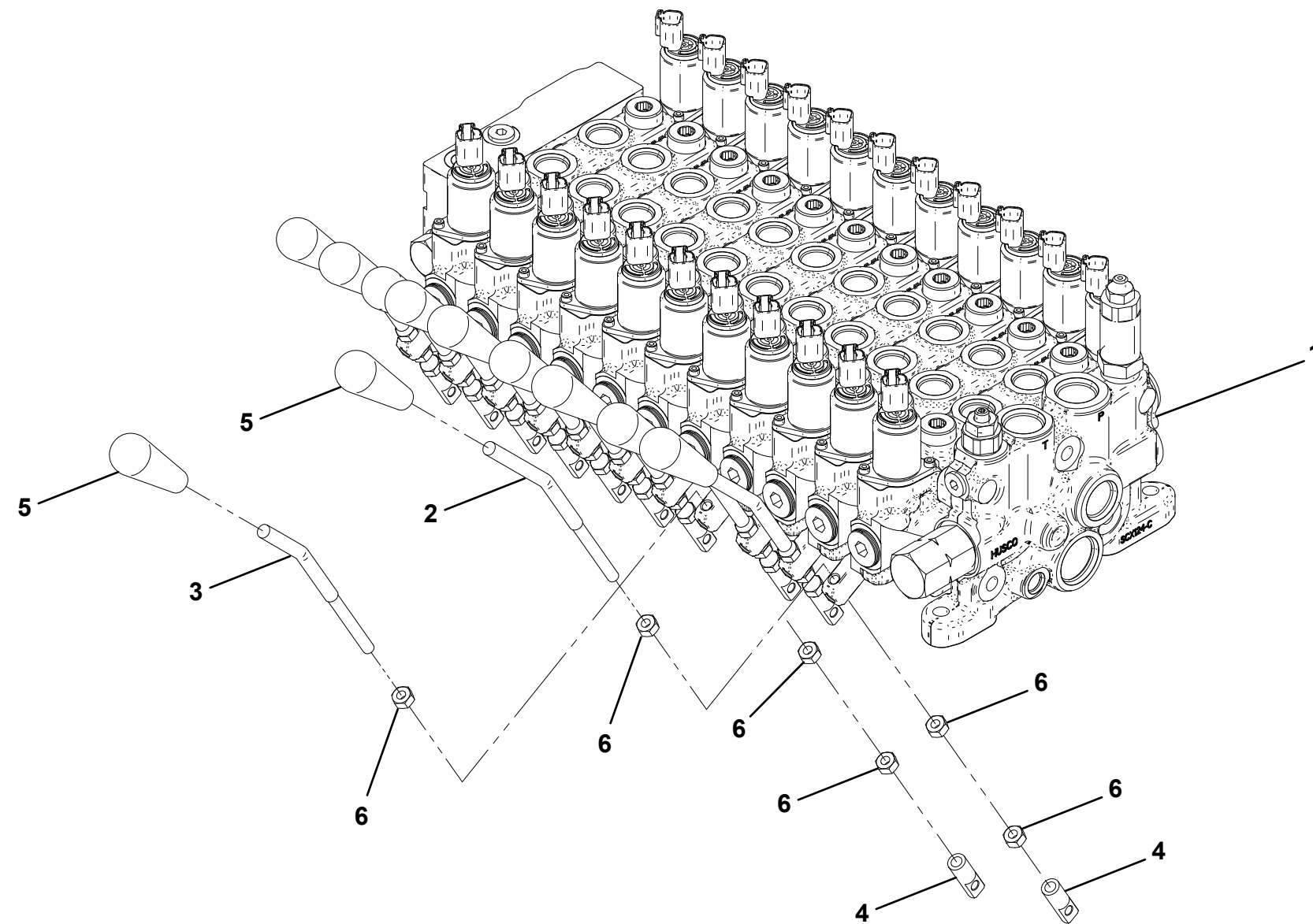
VALVE ASSEMBLY, 11 SECTION - 1001166966



VALVE ASSEMBLY, 11 SECTION - 1001127327

ITEM	PART NO.	DESCRIPTION	QTY
1	1001157093	Valve, 11 Section Control	1
2	1001131124	Handle, Long Control	5
3	1001131123	Handle, Short Control	6
4	1001131129	Adapter	11
5	1001130491	Ball, Knob	11
6	7660150000	Nut, 0.31"-18NC	33

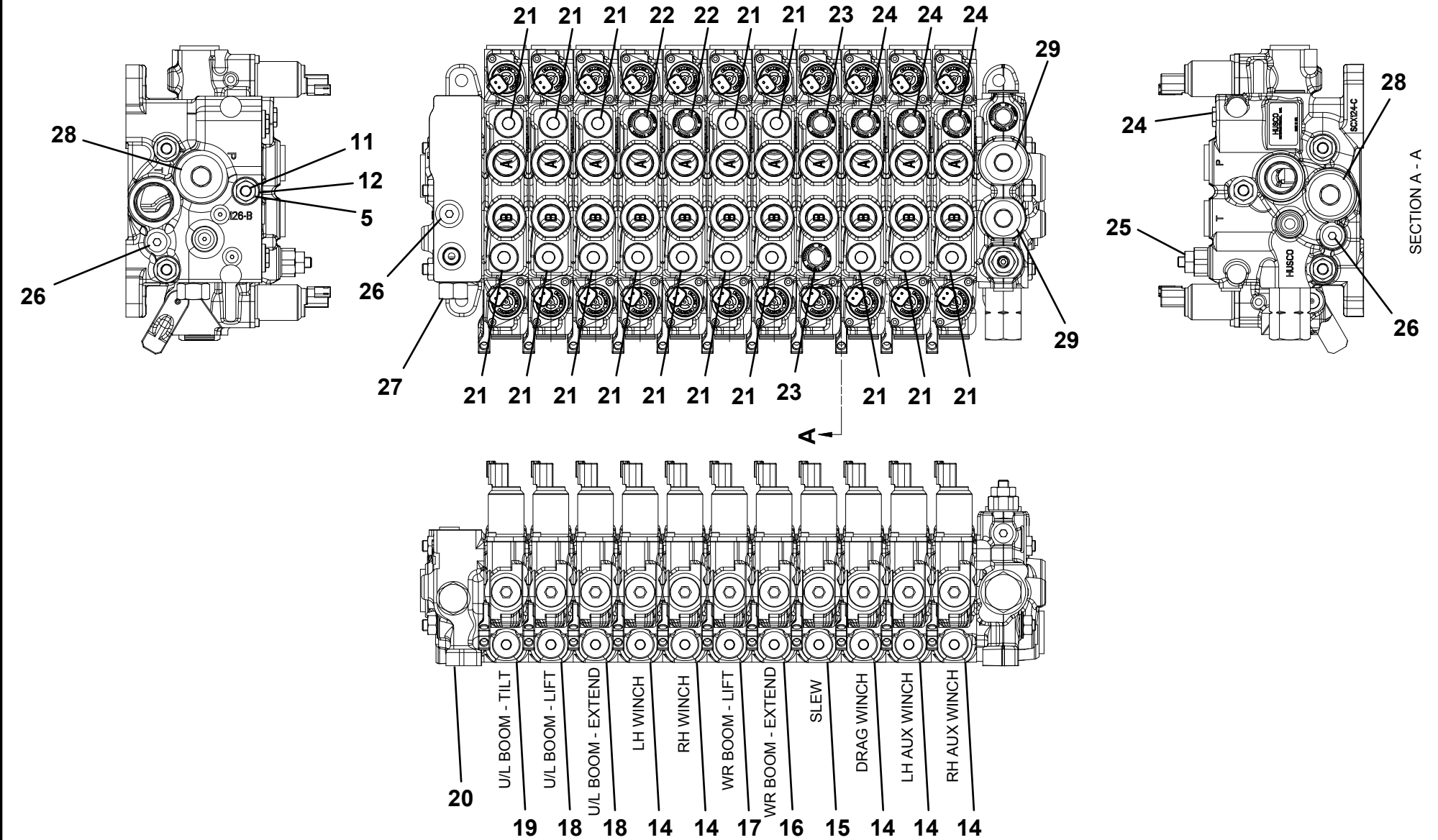
VALVE ASSEMBLY, 11 SECTION - 1001127327



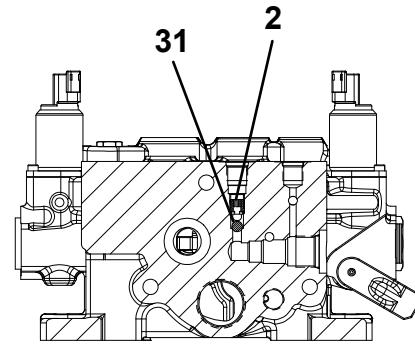
CONTROL VALVE - 11 SECTION - 1001157093

ITEM	PART NO.	DESCRIPTION	QTY
1	70050492	Spring	1
2	70050501	Set Screw	1
3	70050502	Plug Assembly - SAE	11
4	70050510	Lever Assembly	10
5	70050481	Nut	6
6	8034697	O-Ring	12
7	70050508	O-Ring	48
8	70050507	O-Ring	24
9	10837929	Poppet	11
10	10837937	Spring	11
11	70050734	Tie Rod	3
12	70050482	Washer - Compression	6
13	70050491	Inlet Section Assembly	1
14	70050490	Spool Section Assembly	5
15	70050489	Spool Section Assembly	1
16	70050488	Spool Section Assembly	1
17	70050487	Spool Section Assembly	1
18	70050486	Spool Section Assembly	2
19	70050485	Spool Section Assembly	1
20	70050484	Outlet Section Assembly	1
21	70050480	Shut Off Plug Assembly	15
22	70050479	Relief Valve Assembly	3
23	70050478	Relief Valve Assembly	2
24	70050477	Relief Valve Assembly	3
25	70050476	Drain Regulator Assembly	1
26	70050475	Plug Assembly - SAE	3
27	70050474	Pressure Regulating Valve Assembly	1
28	70050473	Plug Assembly - SAE	2
29	70050472	Plug Assembly - SAE	2
30	70050503	Plug Assembly - Metric	12
31	70050506	Ball	1
32	70050505	Cap Assembly	1
33	70050504	Plug Assembly - Metric	20

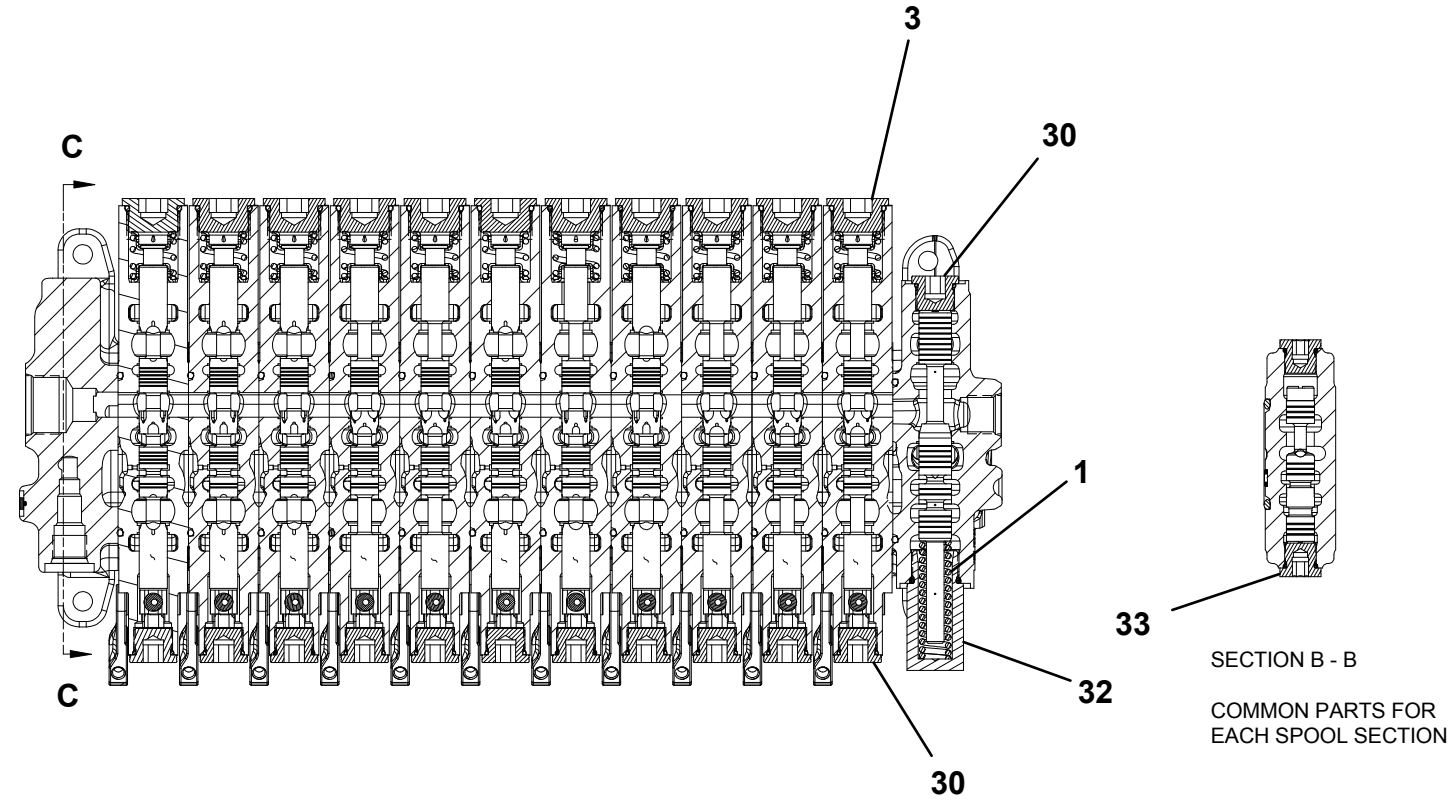
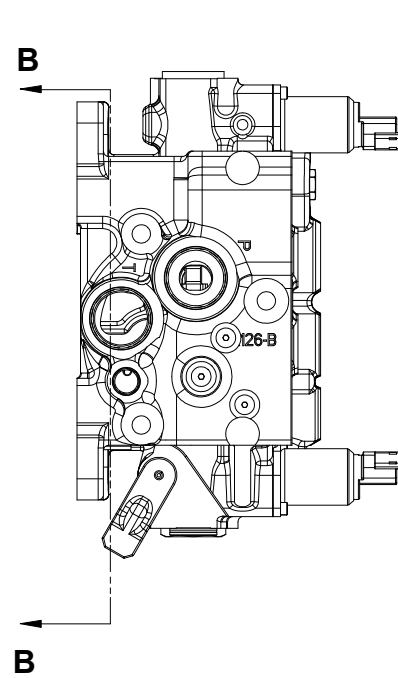
CONTROL VALVE - 11 SECTION - 1001157093



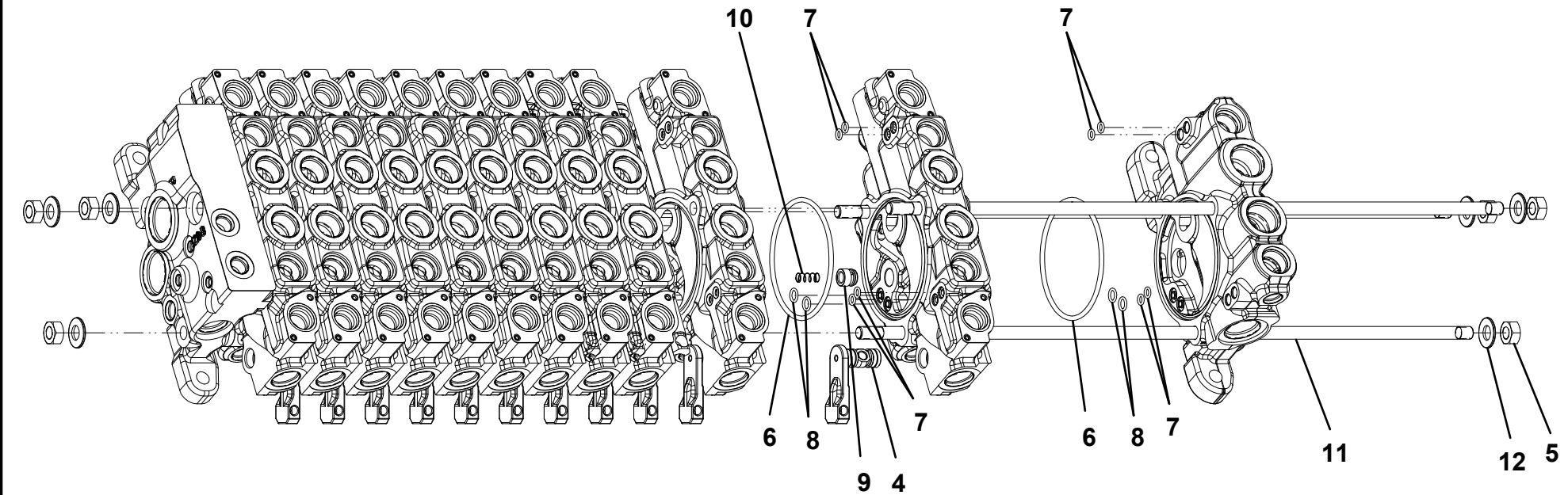
CONTROL VALVE - 11 SECTION - 1001157093



SECTION C - C



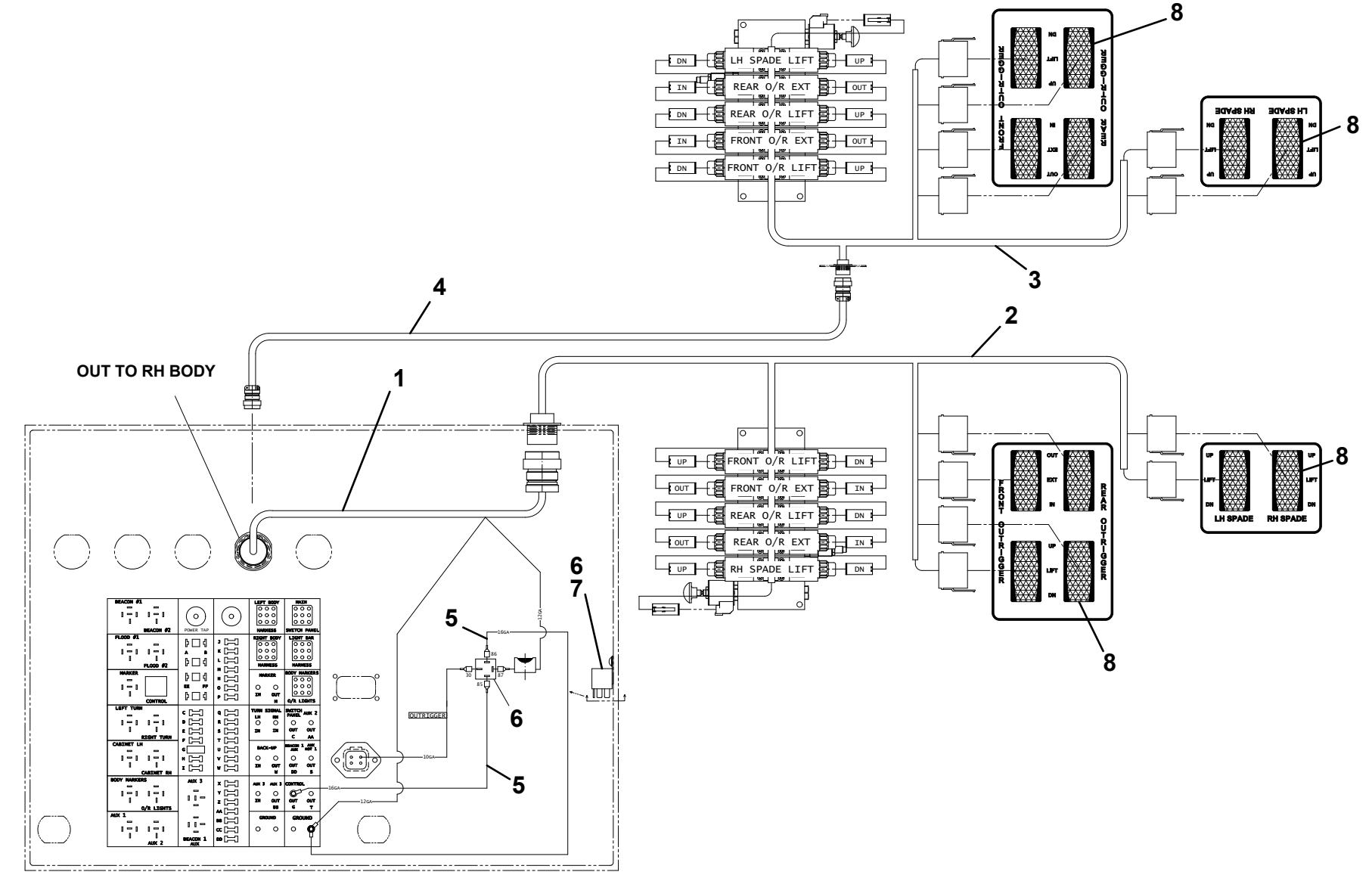
CONTROL VALVE - 11 SECTION - 1001157093



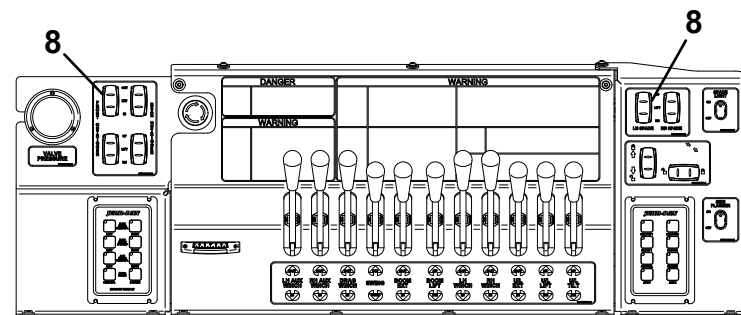
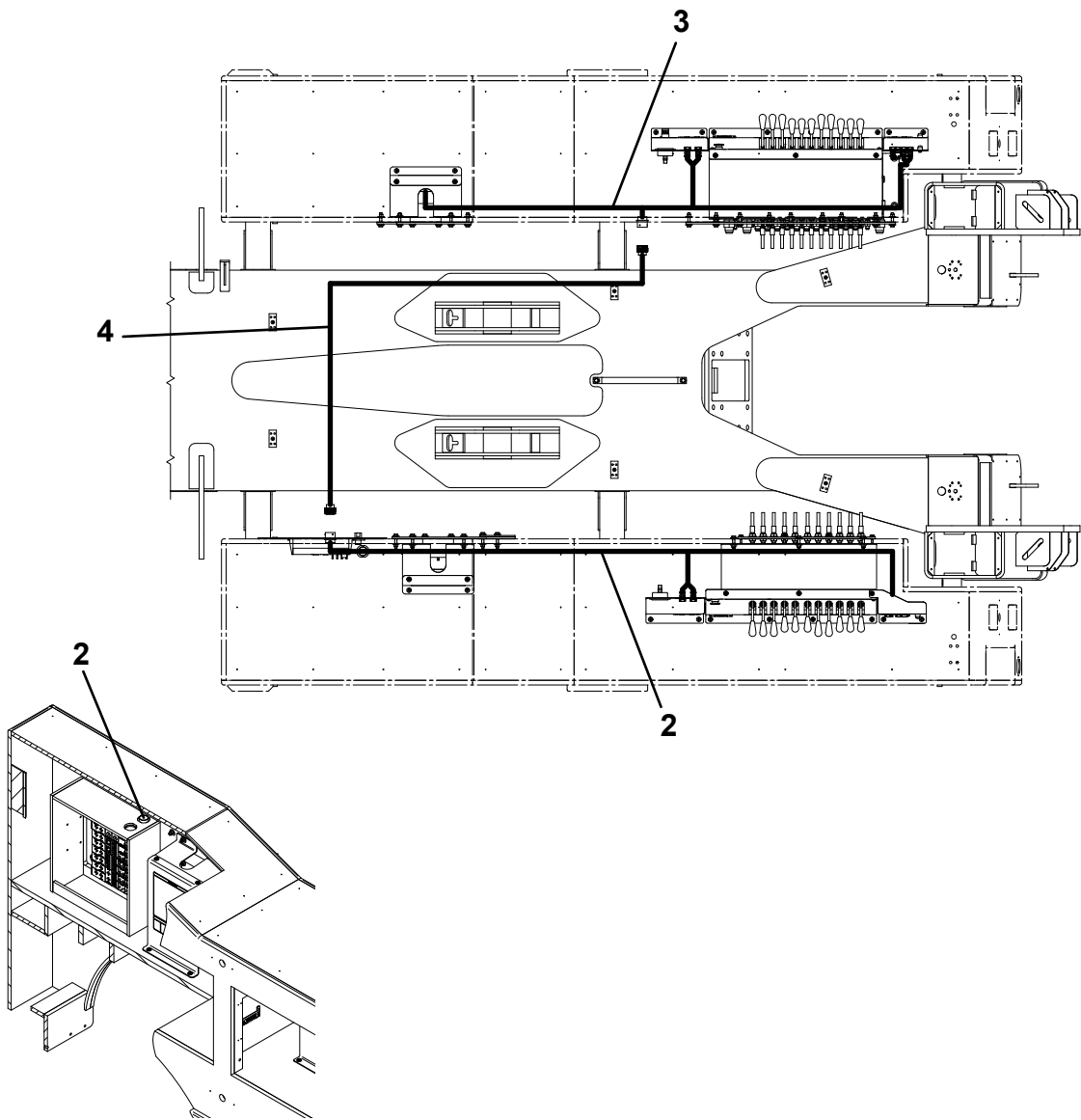
OUTRIGGER CONTROLS INSTALLATION

ITEM	PART NO.	DESCRIPTION	QTY
1	1001163012	Harness	1
2	1001162993	Harness	1
3	1001163153	Harness	1
4	1001163094	Harness	1
5	1001144012	Harness	2
6	7740000003	Relay	1
7	0751003	Screw, #10 x 0.38"	1
8	1001136270	Switch	12

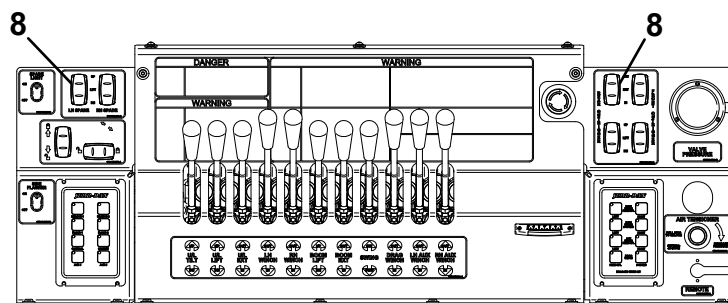
OUTRIGGER CONTROLS INSTALLATION



OUTRIGGER CONTROLS INSTALLATION



LH CONTROL STATION



RH CONTROL STATION

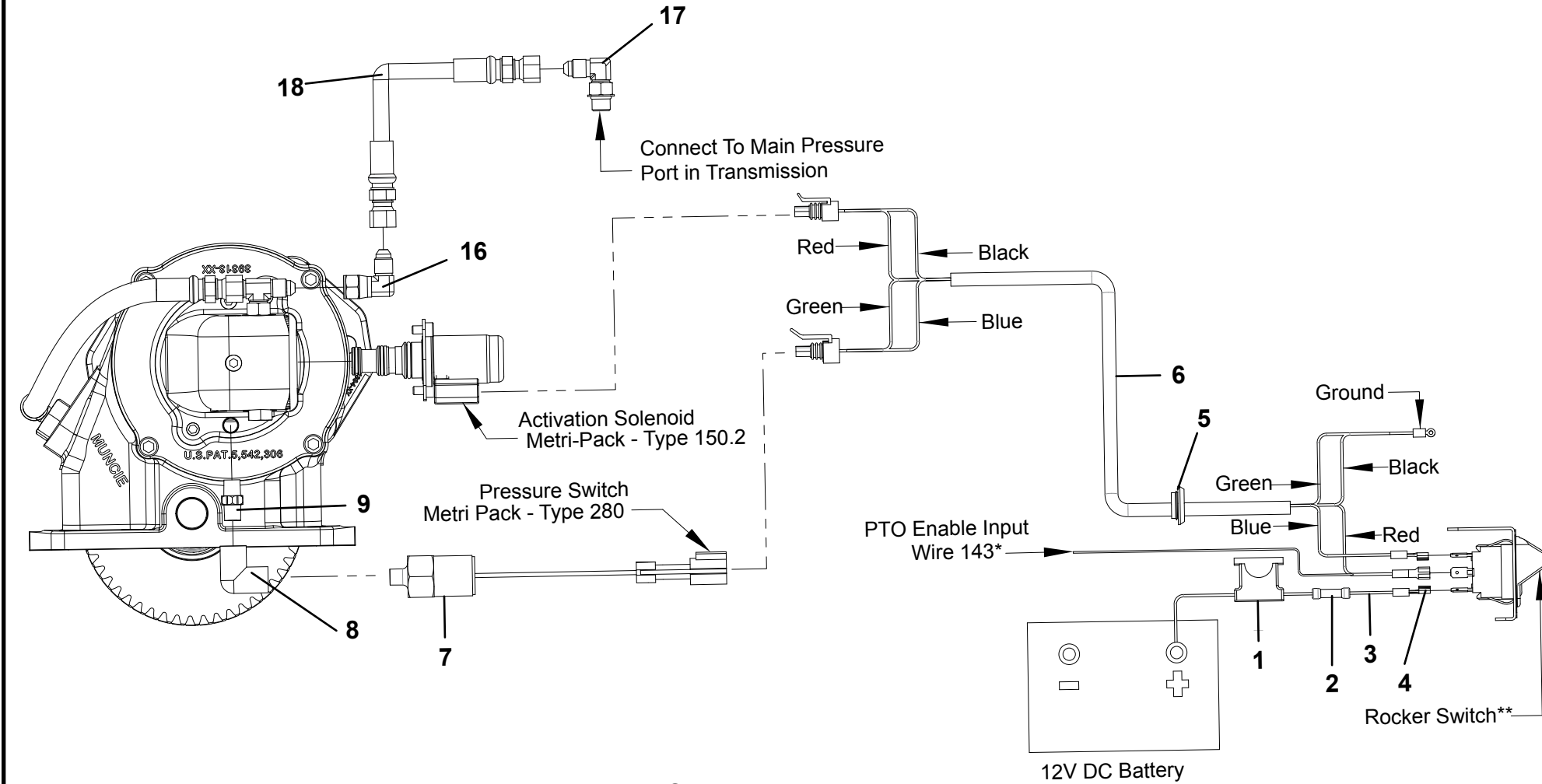
THIS PAGE INTENTIONALLY LEFT BLANK

CS24 SERIES PTO INSTALLATION

ITEM	PART NO.	DESCRIPTION	QTY
1	70050316	Fuse Assembly	
2	70050315	Butt Splice	
3	70050312	Wire	
4	70050314	Connector	
5	70050325	Grommet	
6	70050328	Wire Harness	
7	7870000062	Pressure Switch	
8	70050329	Elbow	
9	70050330	Nipple	
10	70050313	Terminal	
11	70050331	Connector	
12	7706000005	Switch Bracket	
13	7706000001	Face Plate	
14	7870000045	Switch, 12V	
15	70050319	Bolt Kit	
16	7443000431*	Fitting	
17	7443000244*	Fitting	
18	70050468*	Hose	

* Also available as Hose Kit - 70050467

CS24 SERIES PTO INSTALLATION



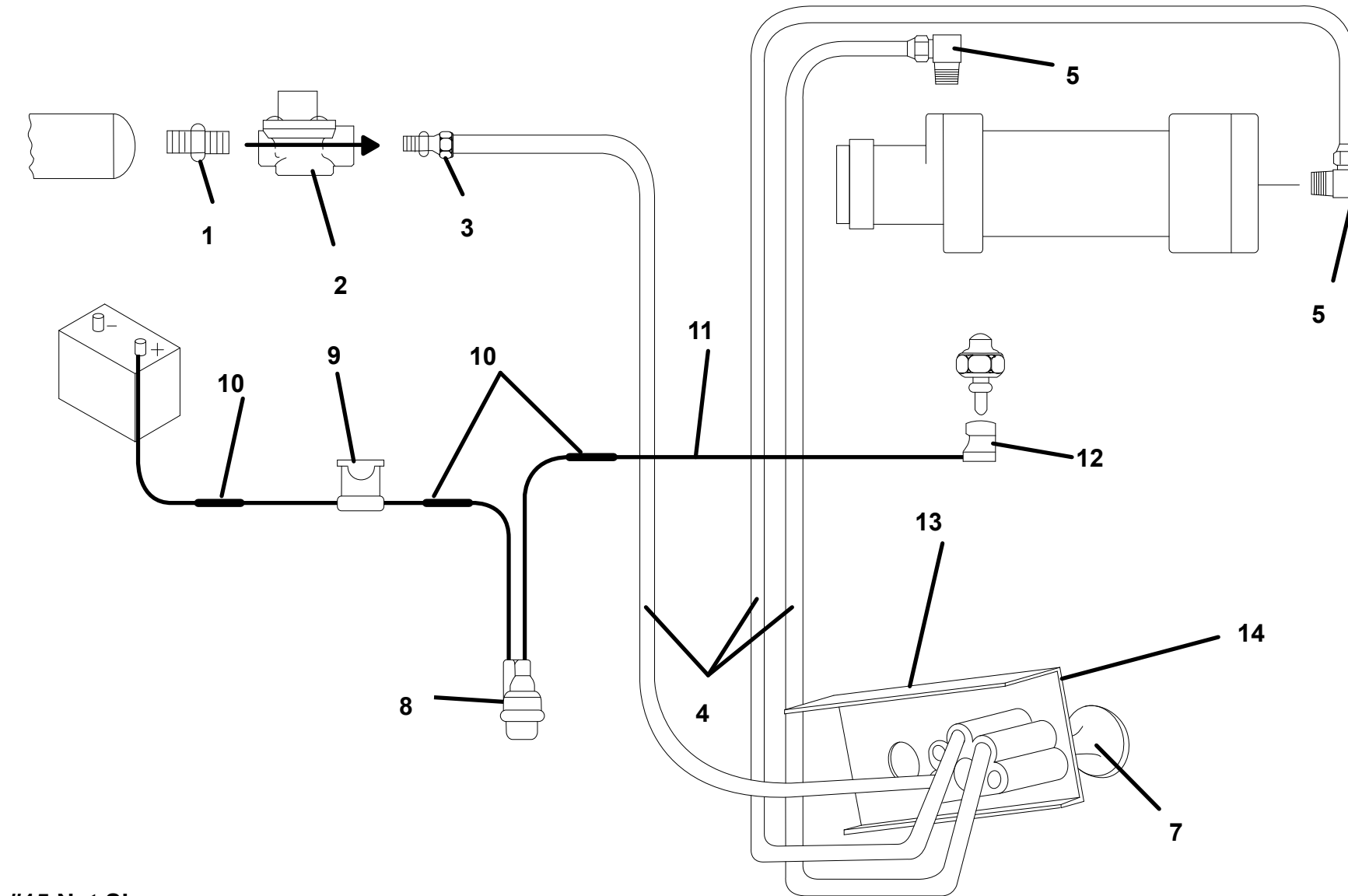
*Item # 10, 11, 12, 13 14, and 15 Not Shown

82 SERIES PTO INSTALLATION

ITEM	PART NO.	DESCRIPTION	QTY
1	70050308	Nipple	1
2	9935740034	Valve, Pressure Protection	1
3	70050309	Fitting	1
4	7565000019	Air Tubing - 30Ft	1
5	70050310	Fitting	2
6	70050320	Fitting	1
7	70050567	Valve, Air	1
8	7590000049	12V Light	1
	70050321	24V Light	1
9	70050316	Fuse Assembly	1
10	70050315	Butt Splice	3
11	70050312	Wire	15
12	70050318	Connector	1
13	70050571	Dash Bracket	1
14	70050573	Face Plate	1
15	70050319	Bolt Kit	1

* Also all available as Installation Kit - 9577760232

82 SERIES PTO INSTALLATION

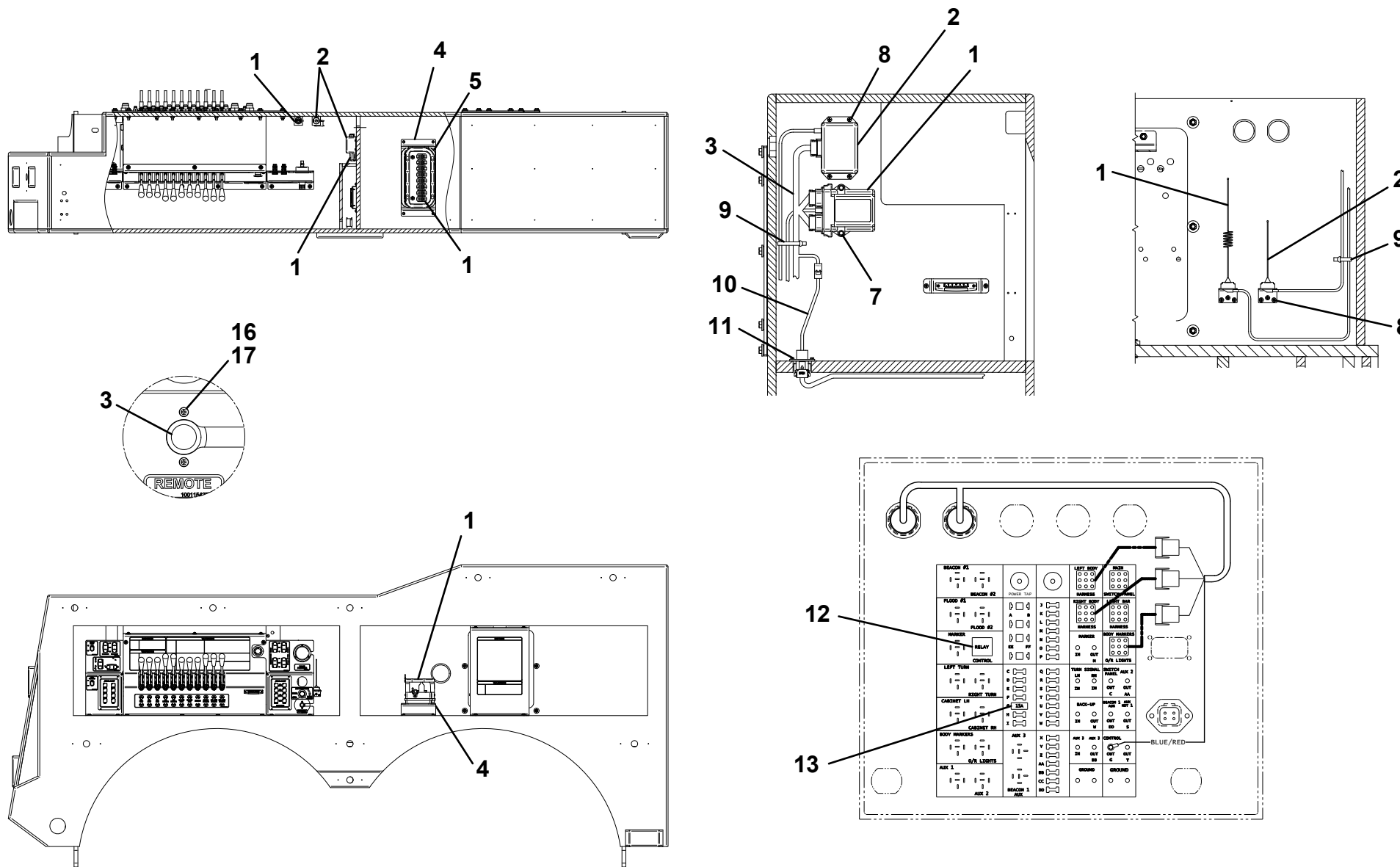


Item #15 Not Shown

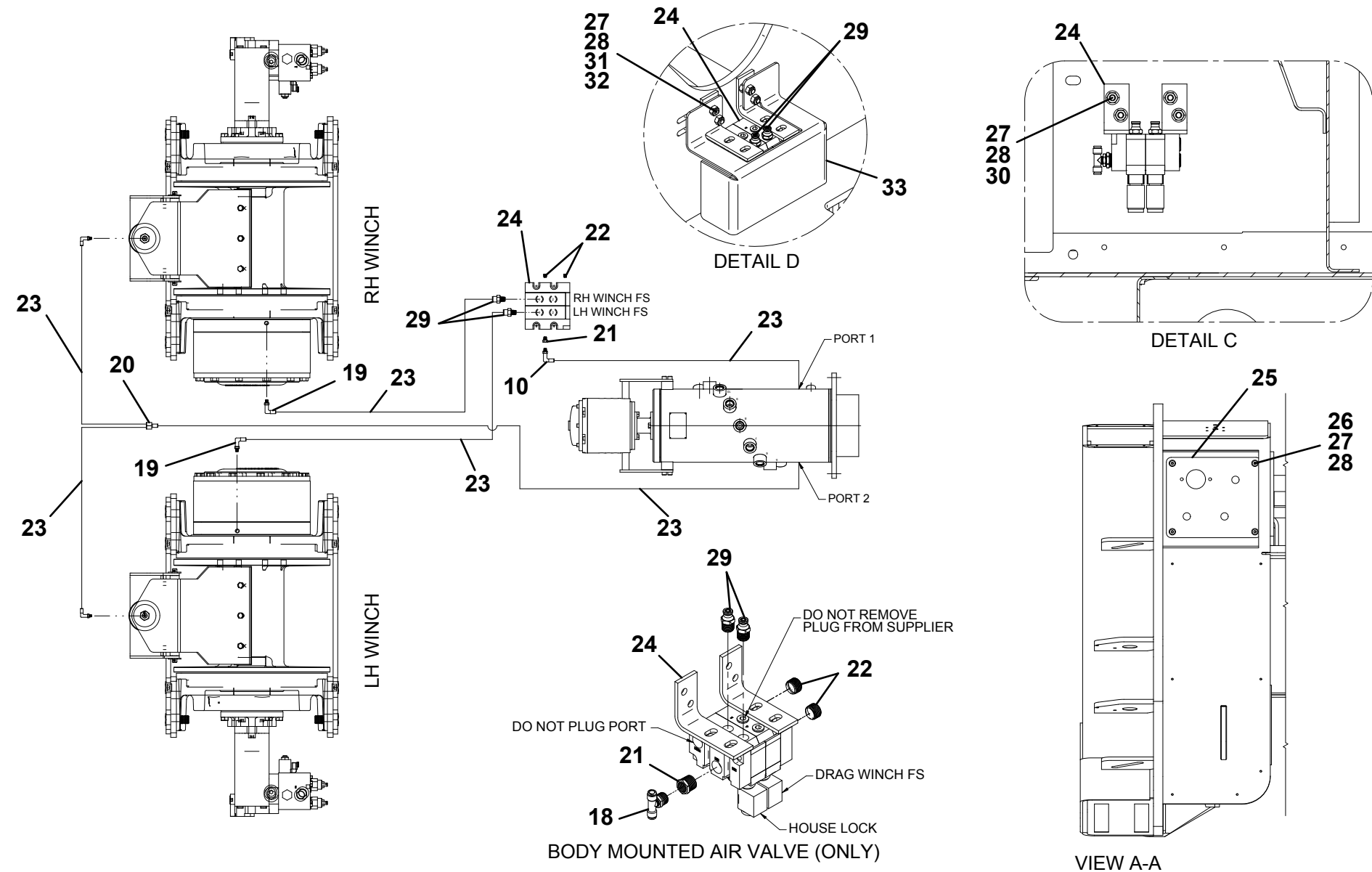
WIRELESS REMOTE INSTALLATION

ITEM	PART NO.	DESCRIPTION	QTY	ITEM	PART NO.	DESCRIPTION	QTY
1	1001143542	Control, Wireless 16 Function	1	CONTROLLER SERVICE PARTS			
2	7295000146	Control, Wireless 6 Function	1				
3	1001130891	Harness	1			1001143542 - Control, Wireless 16 Function	
4	4178000699	Bracket	1				
5	8632000012	Trim Lock	2.5 FT			1001143565 Receiver	1
6	7790141251	Screw, 0.25" x 0.75"	4			1001143564 Transmitter	1
7	7790142051	Screw, 0.25" x 1.25"	2			9295310061 Antenna Kit	1
8	1001166322	Screw, #10-12 x 0.62"	10			9552310033 Tether - 25 Ft	1
9	5526000553	Tie Strap	5				
10	1001167448	Harness	1			7295000146 - Control, Wireless 6 Function	
11	1001141592	Bolt, #8 x 0.50"	4				
12	7740000001	Relay, 40 Amp	1			9295310027 Transmitter	1
13	7457000006	Fuse, 15 Amp	1			9295310029 Transmitter Rubber Boot	1
14	7075000006*	Battery, D 1.5V	3			9295310030 Transmitter Belt Clip	1
15	7075000003*	Battery, 9V	1			9295310031 Transmitter Battery Retainer	1
16	7120000047	Screw, #4-40NC x 0.62"	2			9295310068 Receiver	1
17	7660040000	Nut, #4-40NC	2			9295310069 Antenna Kit	1

WIRELESS REMOTE INSTALLATION



AIR INSTALLATION

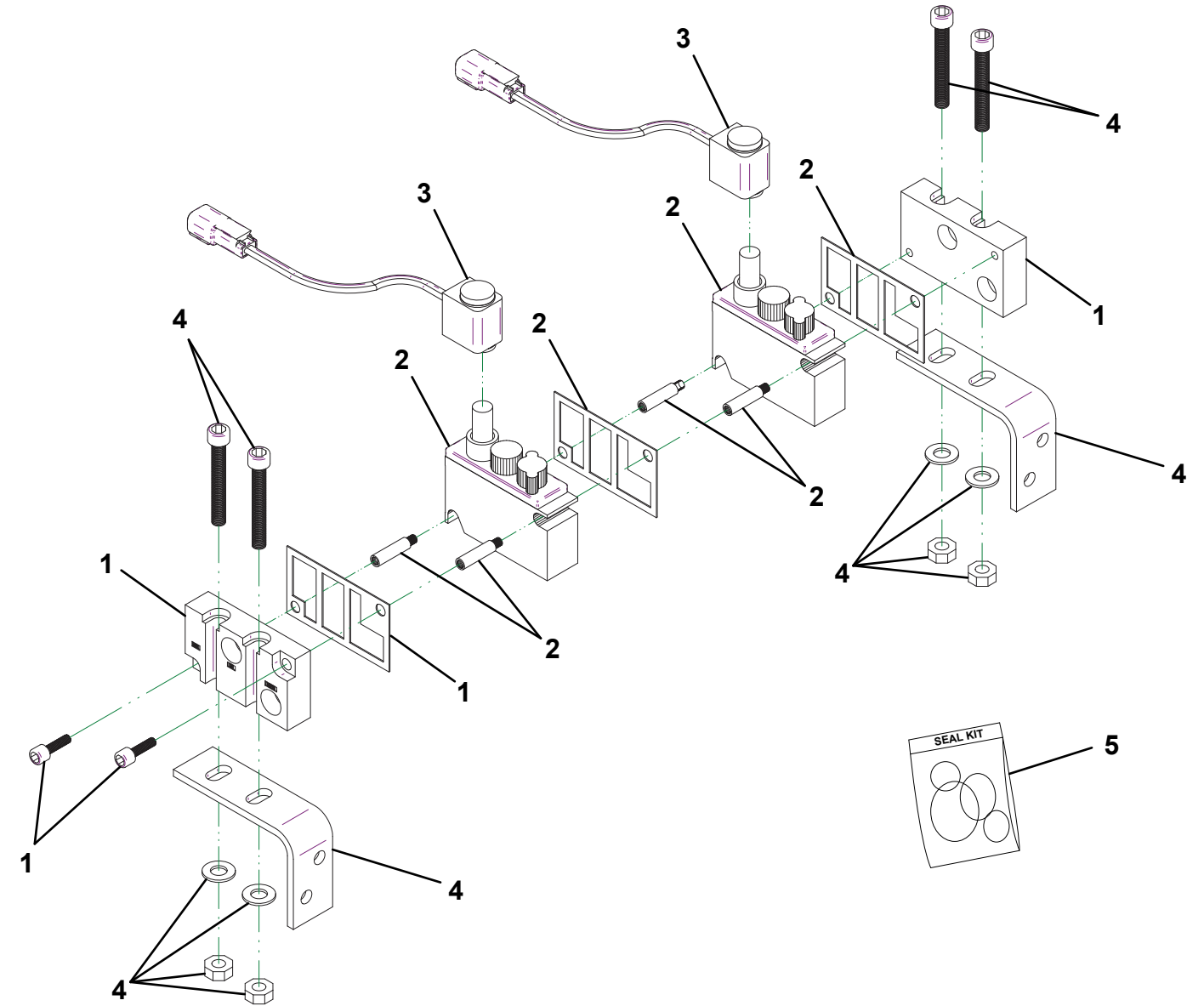


THIS PAGE INTENTIONALLY LEFT BLANK

AIR VALVE - 1001129800

ITEM	PART NO.	DESCRIPTION	QTY
1	70050526	Kit, Stacking	1
2	70050527	Valve	2
3	70050528	Coil	2
4	70050529	Kit, Mounting Bracket	1
5	70050530	Kit, Spool Seal	2

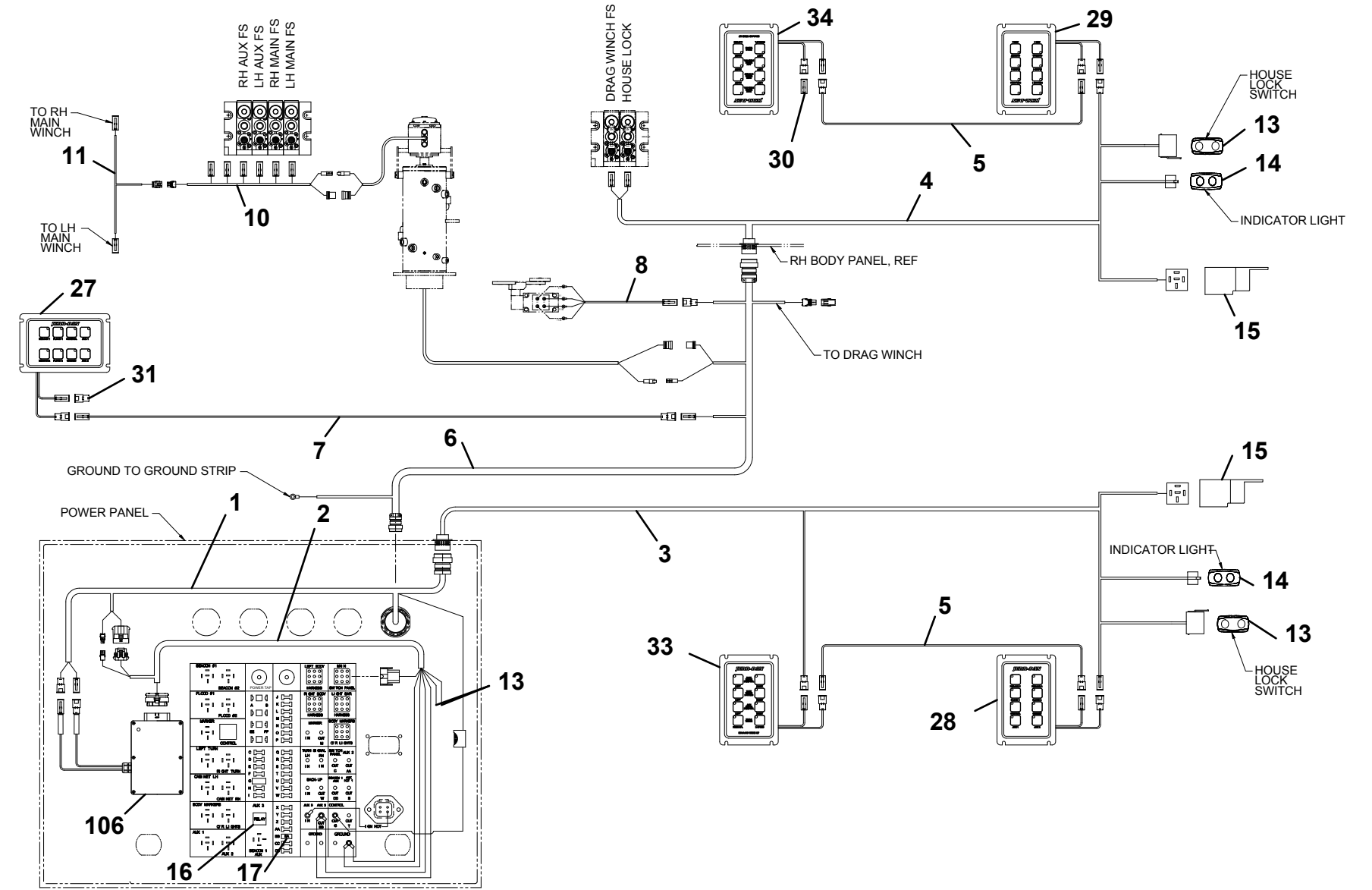
AIR VALVE - 1001129800



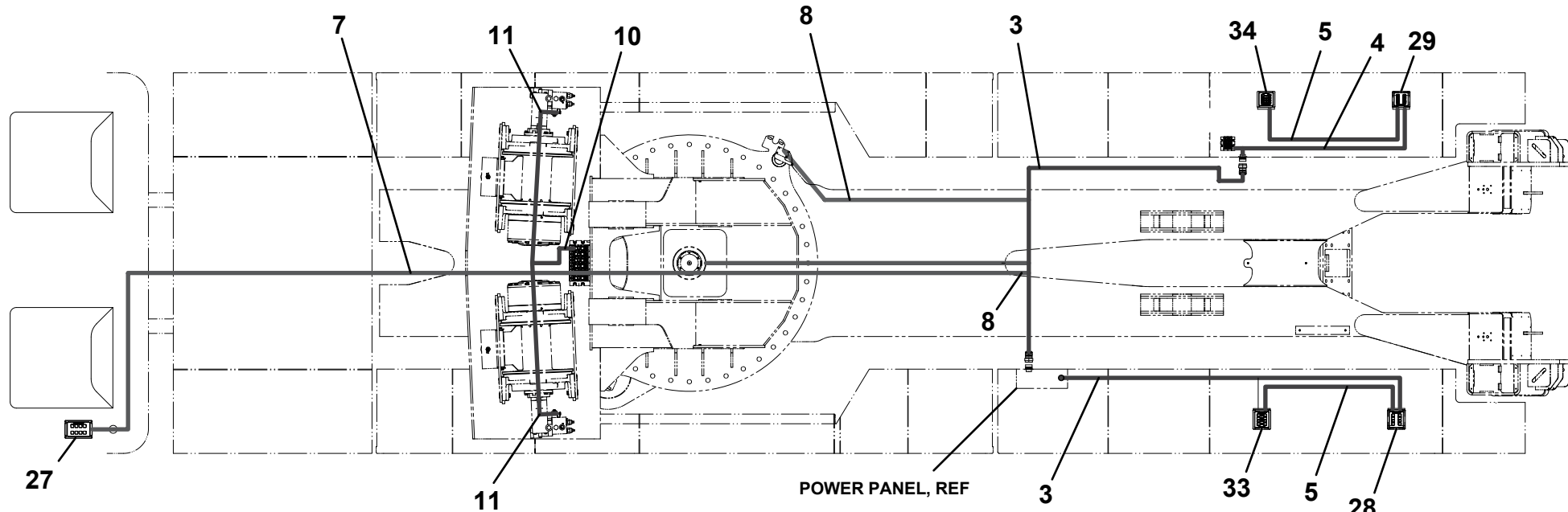
M-PLEX ELECTRICAL INSTALLATION

ITEM	PART NO.	DESCRIPTION	QTY
1	1001163074	Harness	1
2	1001163016	Harness	1
3	1001163024	Harness	1
4	1001163129	Harness	1
5	7552000456	Harness	2
6	1001163102	Harness	1
7	7552000455	Harness	1
8	1001154068	Harness	1
9	1001167310	Strap	20
10	1001130883	Harness	1
11	1001130884	Harness	1
12	7346000039	Tube, 0.25"ID	0.1
13	1001154073	Switch	2
14	1001154074	Elec Assy, Illuminated Plug	2
15	3740080	Relay	2
16	7740000001	Relay	1
17	7457000019	Fuse	1
18	1001162827	Plate	1
19	4686000254	Plate	1
20	7790141651	Screw, 0.25" x 1.00"	4
21	7950140141	Flatwasher, 0.25"	24
22	7661000024	Nut, #10-24NC	4
23	7114100418	Capscrew, #10-24NC x 0.50"	24
24	7950100103	Flatwasher, #10 ID	24
25	7660102604	Locknut, #10-24NC	20
26	0751406	Screw	20
27	7870000155	Switch Panel	1
28	7870000159	Switch Panel	1
29	1001135134	Switch Panel	1
30	7346000276	Harness Terminal	1
31	7346000277	Harness Terminal	1
32	1001135089	Switch Panel	1
33	1001134354	Switch Panel	1
34	1001135136	Switch Panel	1

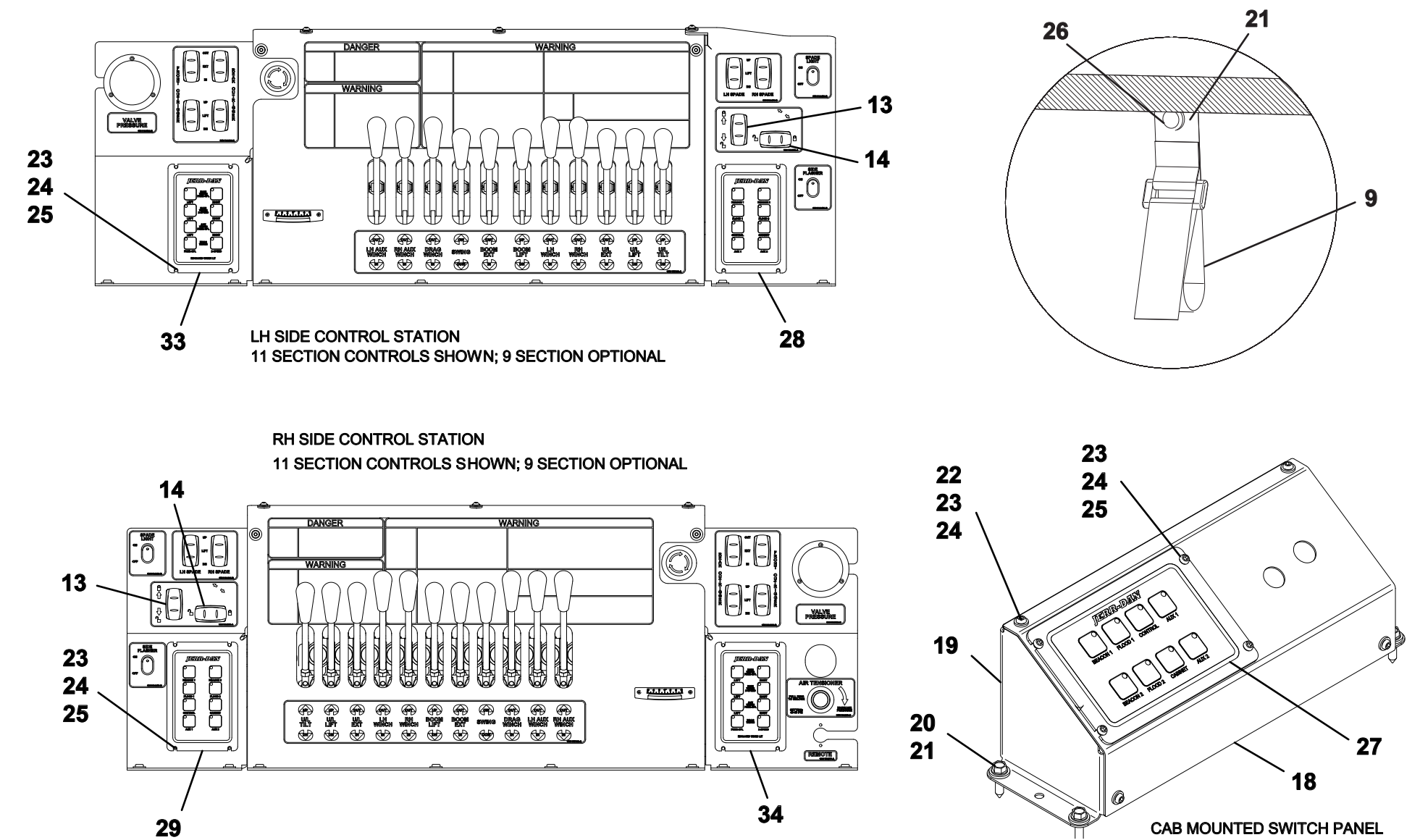
M-PLEX ELECTRICAL INSTALLATION



M-PLEX ELECTRICAL INSTALLATION



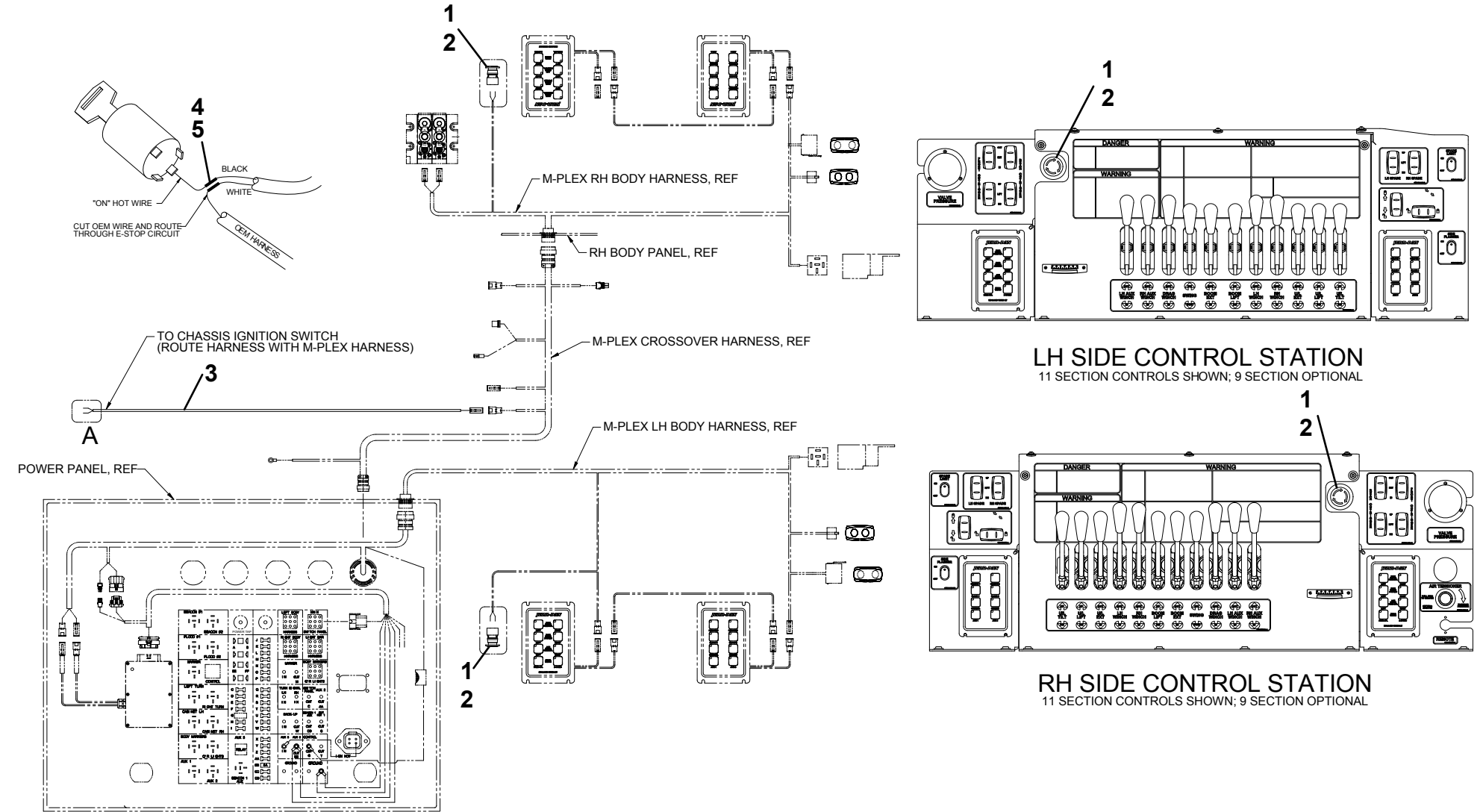
M-PLEX ELECTRICAL INSTALLATION



EMERGENCY STOP INSTALLATION

ITEM	PART NO.	DESCRIPTION	QTY
1	7870000128	Switch, Push Button	2
2	7870000129	Switch, Contact Block	2
3	1001171394	Harness	1
4	7345001714	Terminal	2
5	7348000039	Tubing	.125 ft

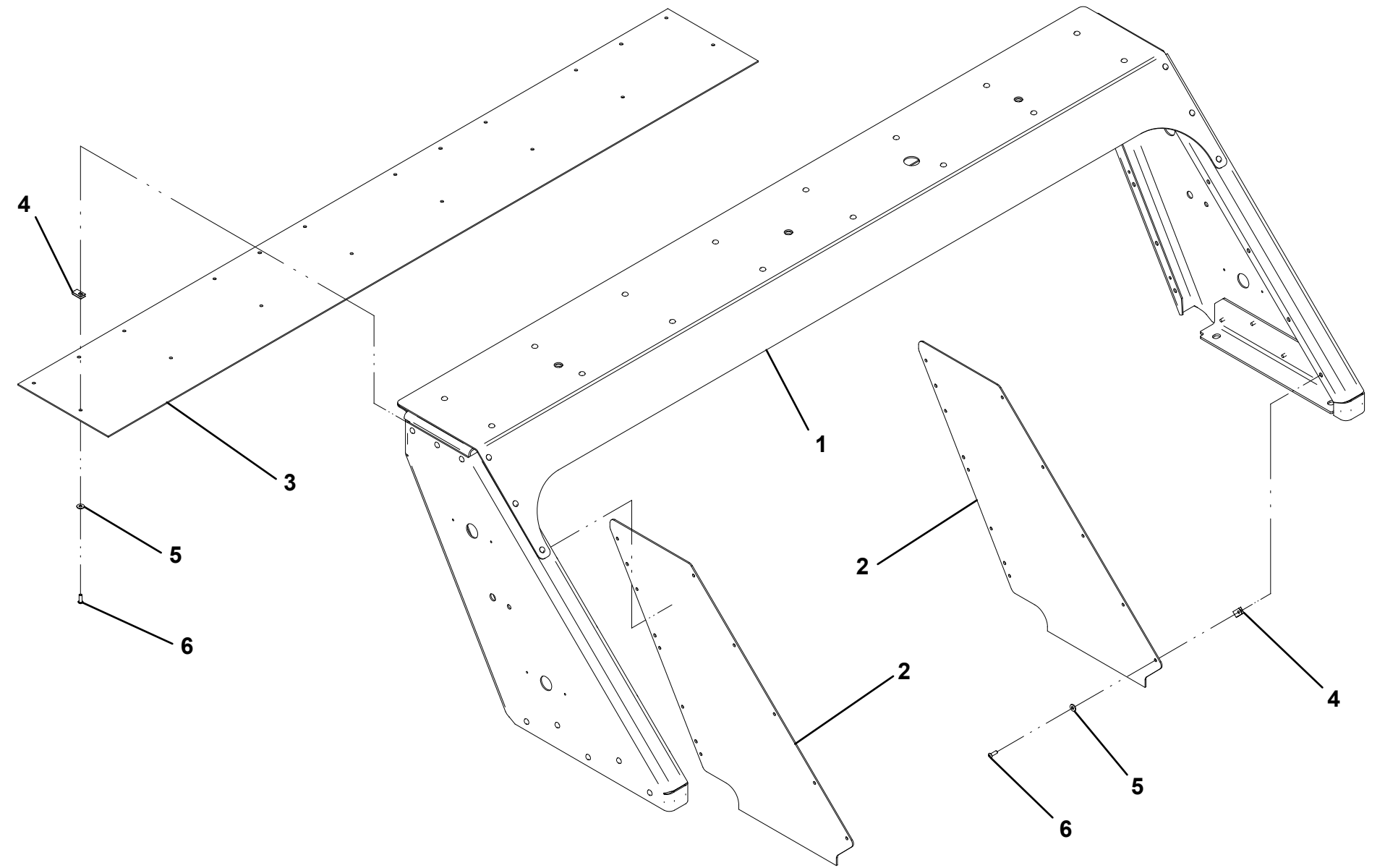
EMERGENCY STOP INSTALLATION



HEADBOARD ASSEMBLY - 1001150180

ITEM	PART NO.	DESCRIPTION	QTY
1	1001150151	Headboard Bondment	1
2	1001129818	Panel, Headboard Cover LH & RH	2
3	1001129820	Panel, Headboard Cover Top	1
4	7661000019	U-Nut, 0.25"-20NC	36
5	7950140143	Flatwasher, 0.25" ID	36
6	7114140618	Capscrew, 0.25"-20NC x 0.75"	36

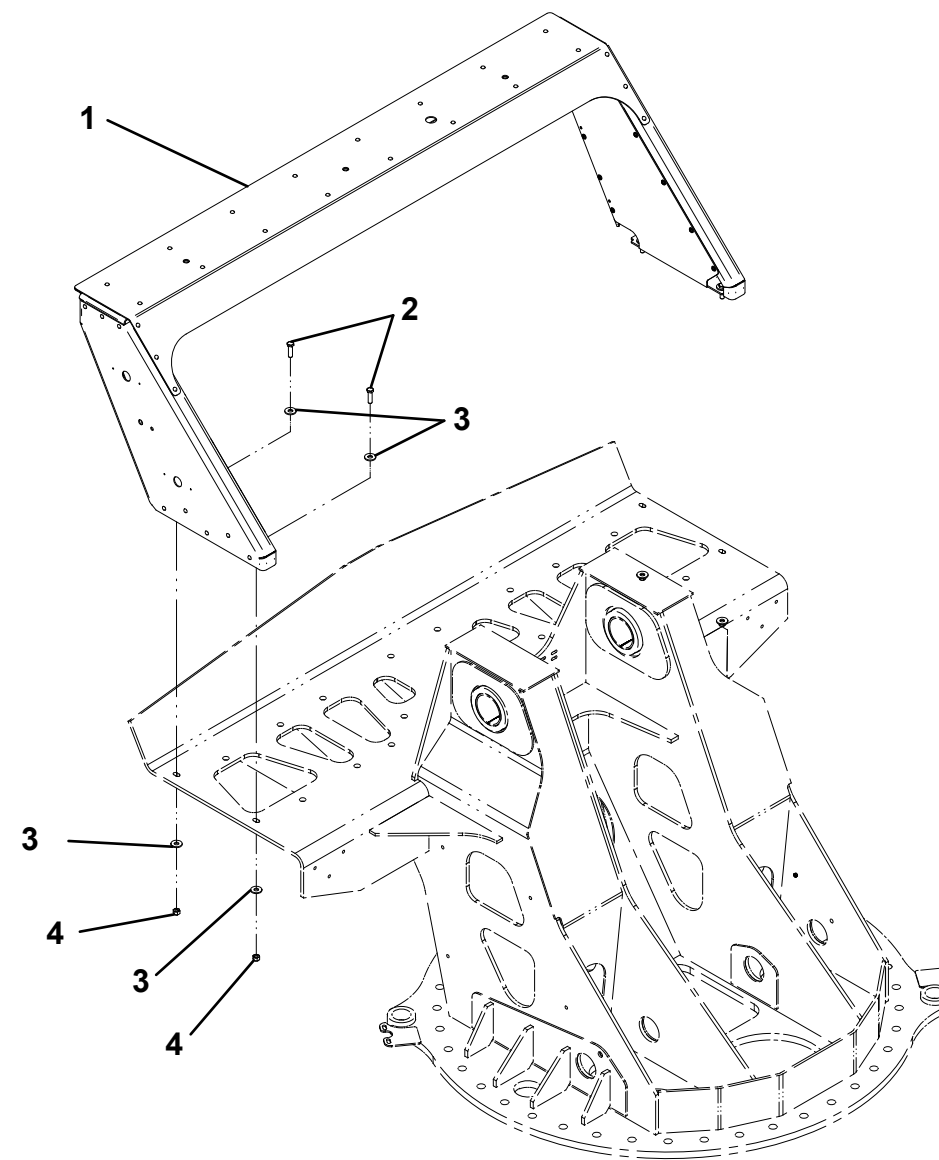
HEADBOARD ASSEMBLY - 1001150180



HEADBOARD INSTALLATION - 1001150422

ITEM	PART NO.	DESCRIPTION	QTY
1	1001150180	Headboard, Assembly	1
2	7115181450	Capscrew, 0.50"-13NC x 1.75"	4
3	7950180161	Flatwasher, 0.50" ID	8
4	7660182601	Locknut, 0.50"-13NC	4

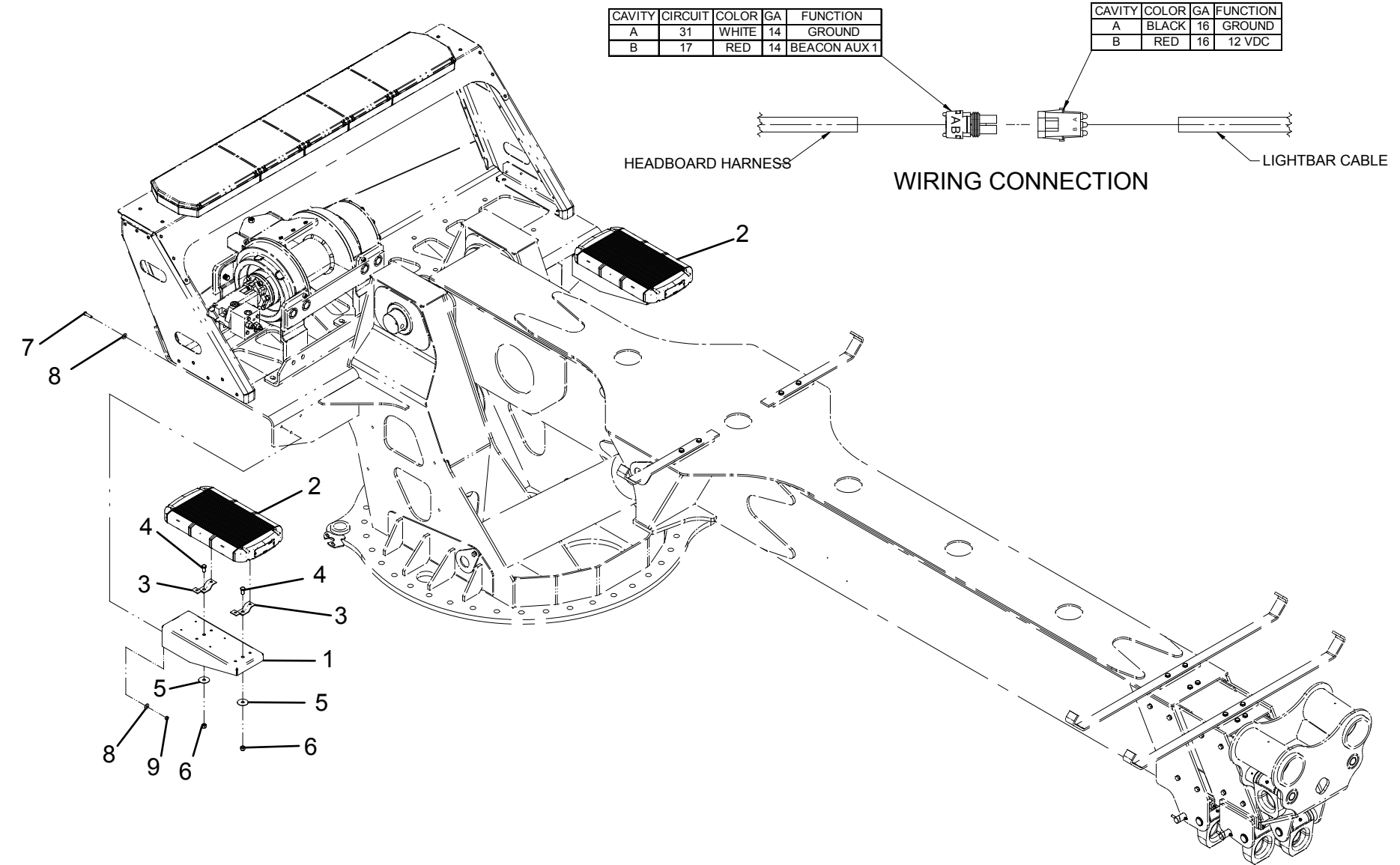
HEADBOARD INSTALLATION - 1001150422



WING LIGHT INSTALLATION - 1001129862

ITEM	PART NO.	DESCRIPTION	QTY
1	1001129828	Bracket	2
2	1001129861	Light Bar, 22" WHELEN	2
3	4178000402	Bracket	4
4	7115180850	Capscrew, 0.50"-13NC x 1.00"	4
5	7949000072	Washer, 2.00" OD x 0.50" ID	4
6	7660182601	Locknut, 0.50"-13NC	4
7	7115161250	Bolt, 0.38"-16NC x 1.50"	6
8	7950160161	Flatwasher, 0.38" ID	12
9	7660162601	Locknut, 0.38"-16NC	6
10	7894000042	Tie Strap	4

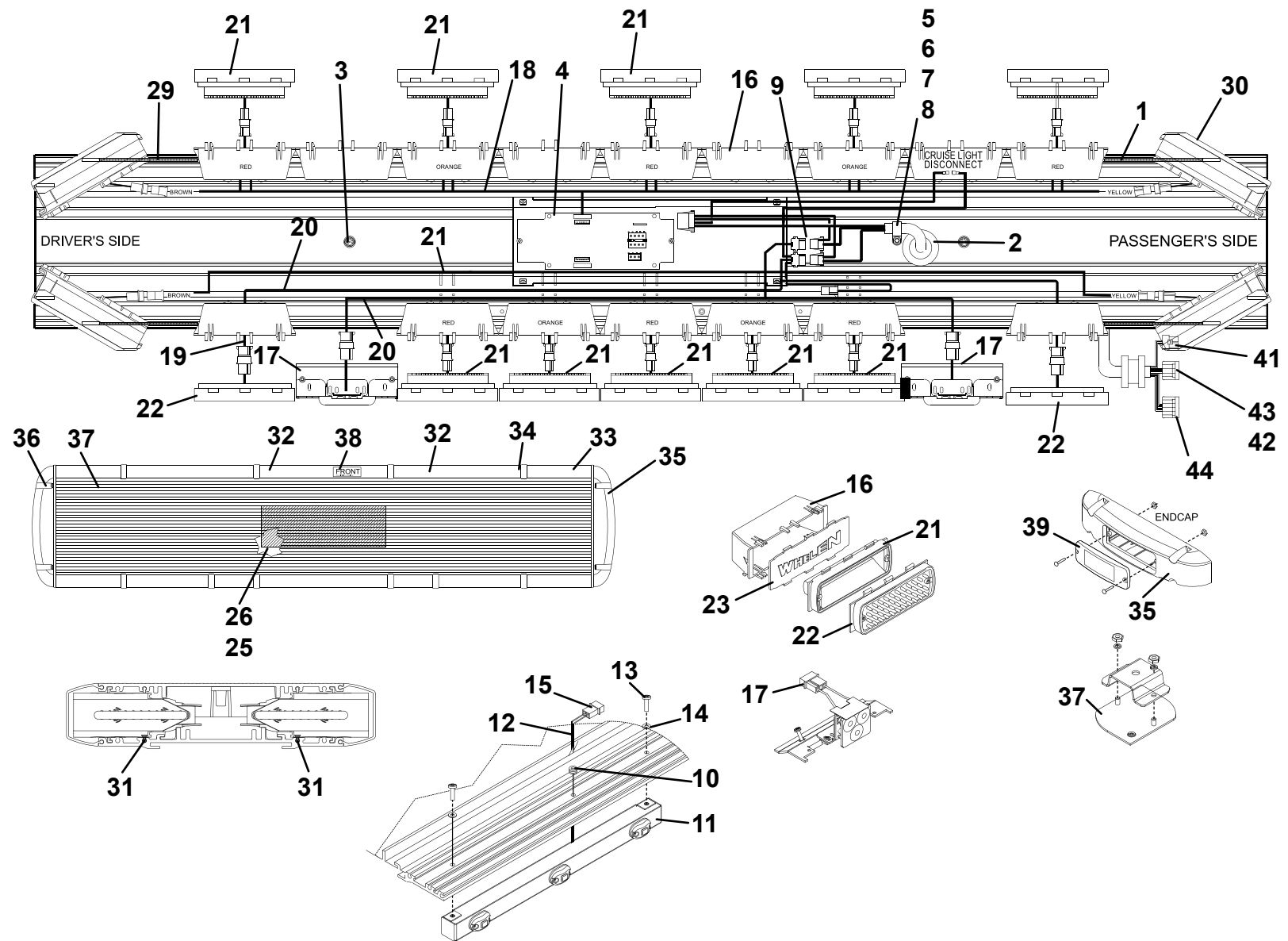
WING LIGHT INSTALLATION - 1001129862



LIGHTBAR 72" LED - WHELEN

ITEM	PART NO.	DESCRIPTION	QTY	ITEM	PART NO.	DESCRIPTION	QTY
1	70050392	Base	1	40	70050207	Label, Model & Serial Number	1
2	70050169	Grommet	1	41	70050208	Connector	1
3	70050170	Plug	2	42	70050209	Connector	1
4	70050163	Assembly, HC I/O Liberty, Jerr-Dan	1	43	70050210	Connector	1
5	70050171	Cable	1	44	70050211	Connector	1
6	70050172	Screw, #10-24NC x 1.00"	1				
7	70050393	Clamp	1				
8	70050174	Wiznut, #10-24NC	1				
9	70050175	Housing	2				
10	70050176	Grommet	1				
11	70050177	Light Cluster	1				
12	70050178	Harness	1				
13	70050179	Screw, #10-32NF x 0.50"	2				
14	70050180	Washer, #10 ID	2				
15	70050181	Housing	1				
16	70050182	Housing	16				
17	70050183	LR11 TD Single Full 20 Deg.	2				
18	70050394	Harness	2				
19	70050185	Harness	1				
20	70050186	Harness	1				
21	70050187	Light Assembly, LED	10				
22	70050188	500 BTT Max	2				
23	70050189	Panel	4				
24	70050190	End Support Bracket	2				
25	70050191	Insulator	1				
26	70050192	Decal	1				
27	70050395	Top Cover	1				
28	70050194	Screw, #10-24NC x 0.38"	4				
29	70050195	Spacer	4				
30	70050196	Corner LED Assembly	4				
31	70050197	Spacer	4				
32	70050199	Lens	6				
33	70050200	Lens	4				
34	70050201	Lens Divider	8				
35	70050202	End Cap	2				
36	70050203	Screw, #10-24NC x 1.25"	8				
37	70050204	Rotational Mtg Adapter	3				
38	70050205	Label, "Front"	1				
39	70050206	Label, Jerr-Dan Logo	1				

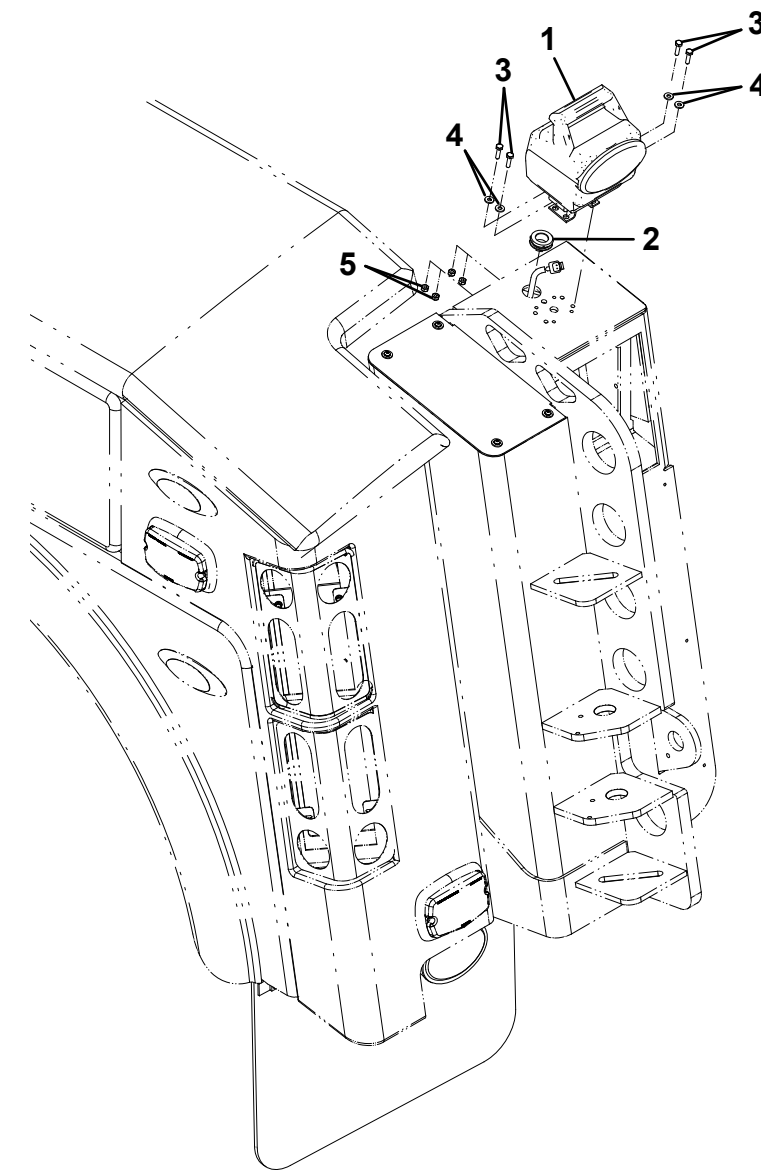
LIGHTBAR 72" LED - WHELEN



UPPER HOOK-UP LIGHTS INSTALLATION

ITEM	PART NO.	DESCRIPTION	QTY
1	1001131171	Lamp	2
2	7493000003	Grommet	2
3	7115140850	Capscrew, 0.25"-20NC x 1.00"	8
4	7950140143	Flatwasher, 0.25" ID	8
5	7660142604	Locknut, 0.25"-20NC	8
6	7894000010	Tie Strap	6

UPPER HOOK-UP LIGHTS INSTALLATION



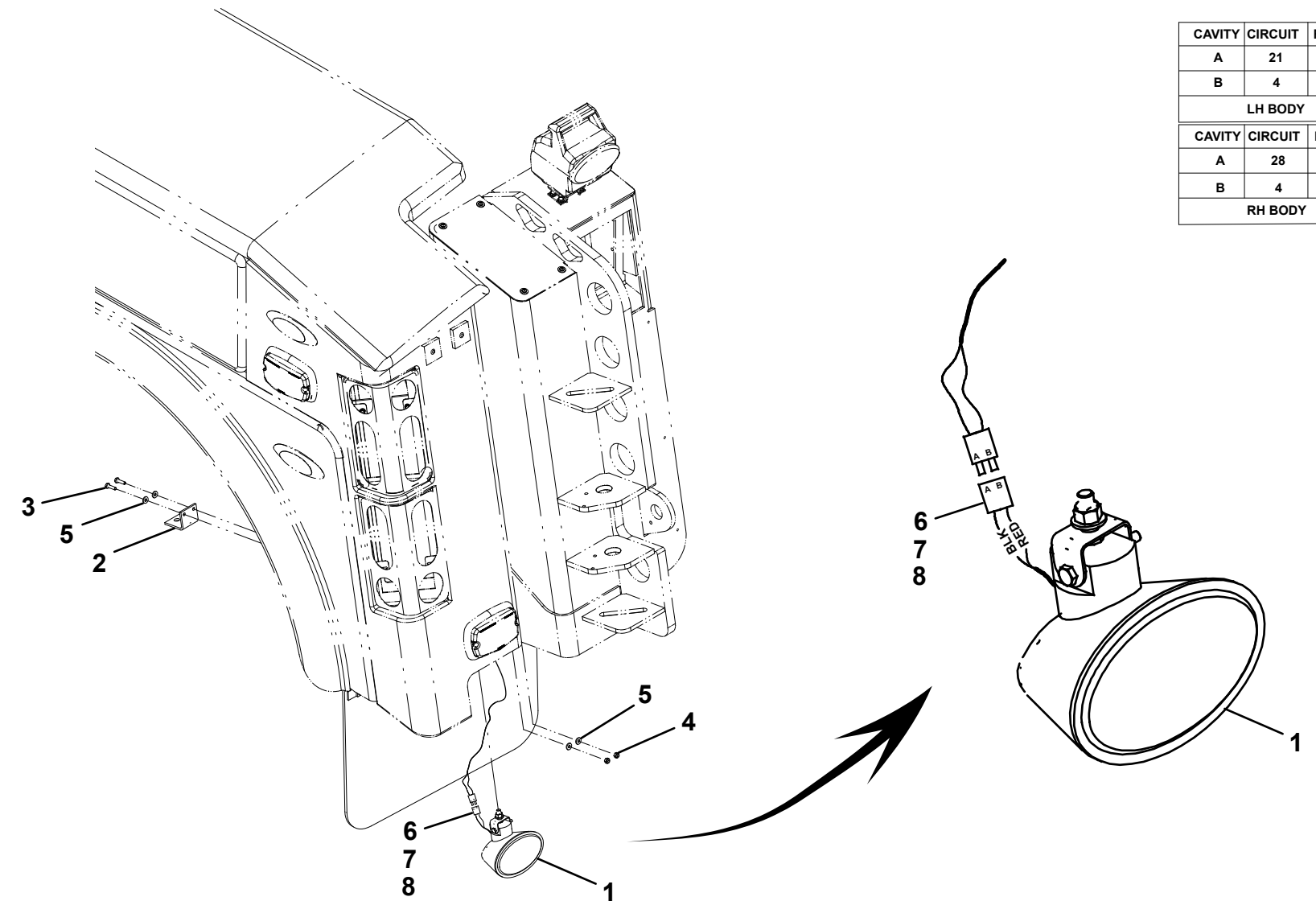
CAVITY	CIRCUIT	FUNCTION
1	21	GROUND
2	4	FLOOD 2
LH BODY		
CAVITY	CIRCUIT	FUNCTION
1	28	GROUND
2	4	FLOOD 2
RH BODY		

Item #6, Not Shown

LOWER HOOK-UP LIGHTS INSTALLATION

ITEM	PART NO.	DESCRIPTION	QTY
1	1001131160	Lamp	1
2	4178000659	Bracket	2
3	7115140850	Capscrew, 0.25"-20NC x 1.00"	4
4	7660142601	Locknut, 0.25"-20NC	4
5	7950140143	Flatwasher, 0.25" ID	8
6	7346000094	Electrical Connector	2
7	7346000035	Electrical Terminal	4
8	7346000037	Electrical Seal	4
9	7274000026	Clamp	6
10	8597650002	Wire Loom	1ft
11	7894000010	Tie Strap	6

LOWER HOOK-UP LIGHTS INSTALLATION



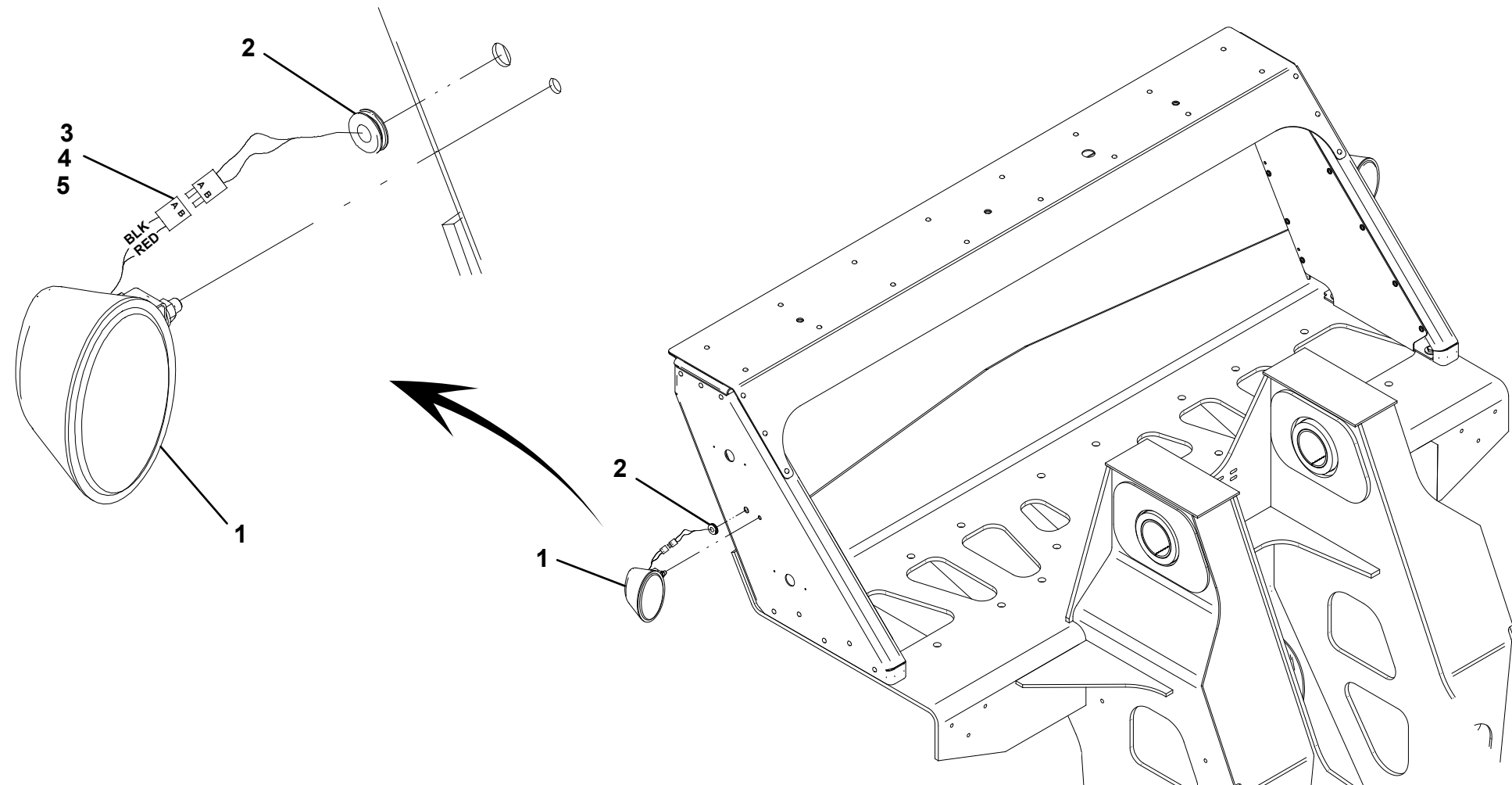
Items #9, #10 and #11, Not Shown

UPPER WORK LIGHTS INSTALLATION

ITEM	PART NO.	DESCRIPTION	QTY
1	1001131160	Lamp	2
2	7493000021	Grommet	2
3	7346000094	Electrical Connector	2
4	7346000035	Electrical Terminal	4
5	7346000037	Electrical Seal	4
6	8597650002	Wire Loom	1ft
7	7894000010	Tie Strap	6

UPPER WORK LIGHTS INSTALLATION

CAVITY	CIRCUIT	FUNCTION
A	30	GROUND
B	3	FLOOD 1



Items #6, and #7, Not Shown

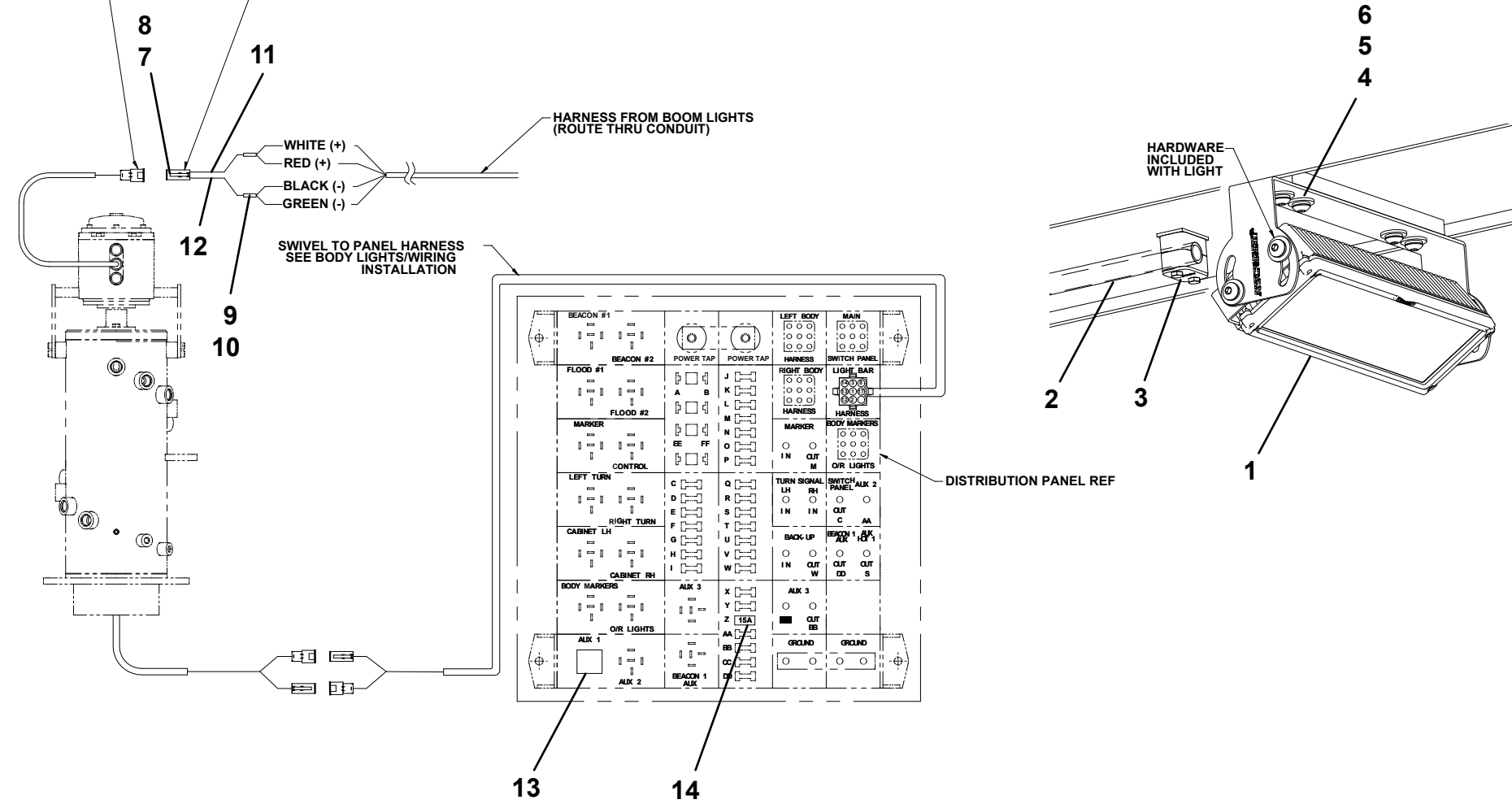
WRECKER BOOM LIGHTS INSTALLATION

ITEM	PART NO.	DESCRIPTION	QTY
1	1001130429	Lamp	1
2	4695000026	Pipe	1
3	7247000095	Assembly, Clamp	4
4	7114160618	Capscrew, 0.38"-16NC x 0.75"	4
5	7950160003	Lockwasher, 0.38" ID	4
6	7950160163	Flatwasher, 0.38" ID	4
7	4461018	Electrical Terminal	1
8	4460509	Electrical Socket	2
9	7345001914	Electrical Terminal	2
10	7346000039	Tubing, Heat Shrink	8in
11	8977030200	Wire, #12Ga. - Red	1ft
12	8977030300	Wire, #12Ga. - White	1ft
13	7740000001	Relay, 12V - 40 Amp	1
14	7457000006	Fuse, 15 Amp	1

WRECKER BOOM LIGHTS INSTALLATION

CAVITY	CIRCUIT	COLOR	GA	FUNCTION
1	13	BROWN/BLACK	12	GROUND
2	12	YELLOW/BLACK	12	AUX 1

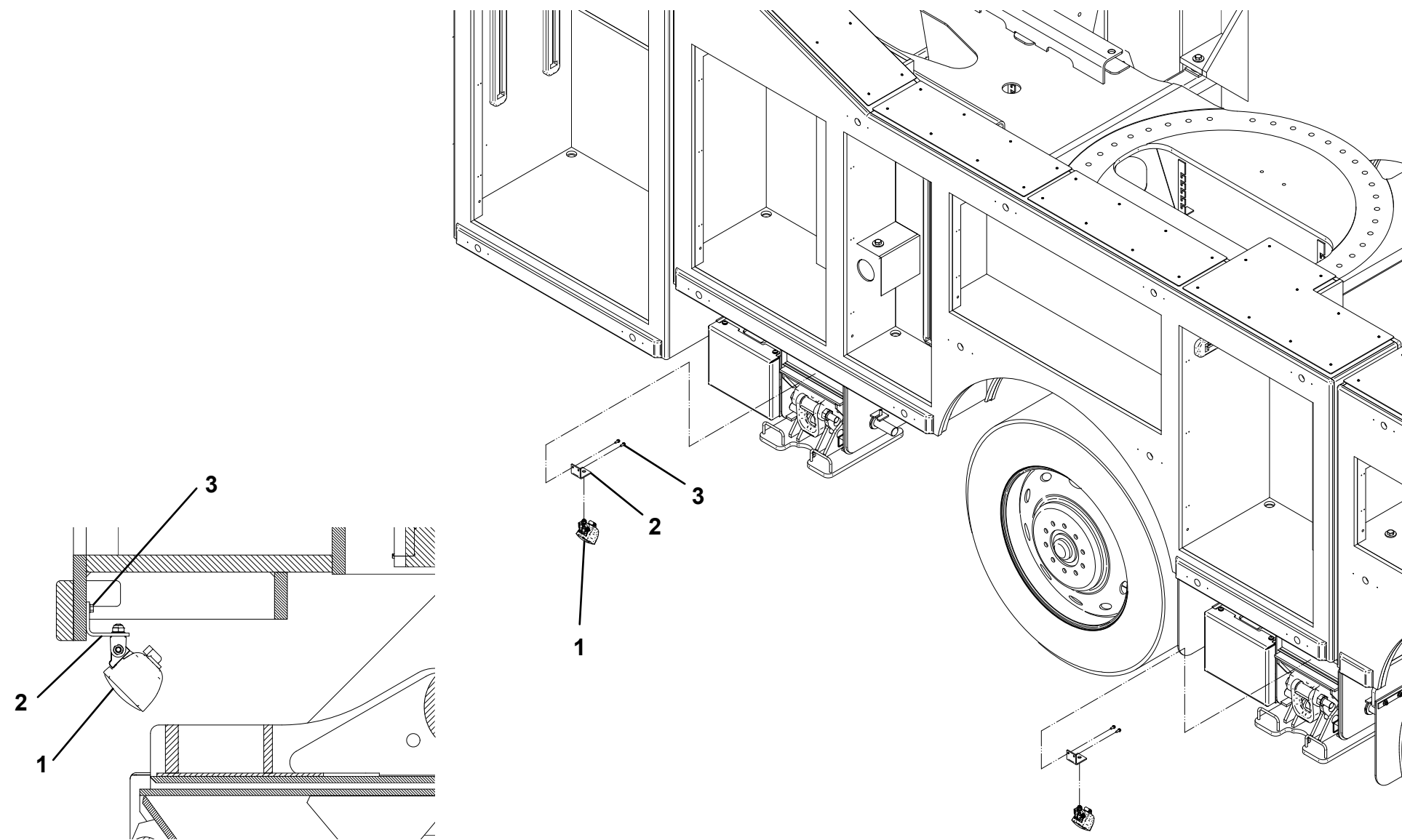
CAVITY	COLOR	GA	FUNCTION
1	WHITE	12	GROUND
2	RED	12	AUX 1



OUTRIGGER LIGHT INSTALLATION

ITEM	PART NO.	DESCRIPTION	QTY
1	7590000350	Light	4
2	4178000659	Bracket	4
3	7790141251	Screw, 0.25" x 0.75"	8

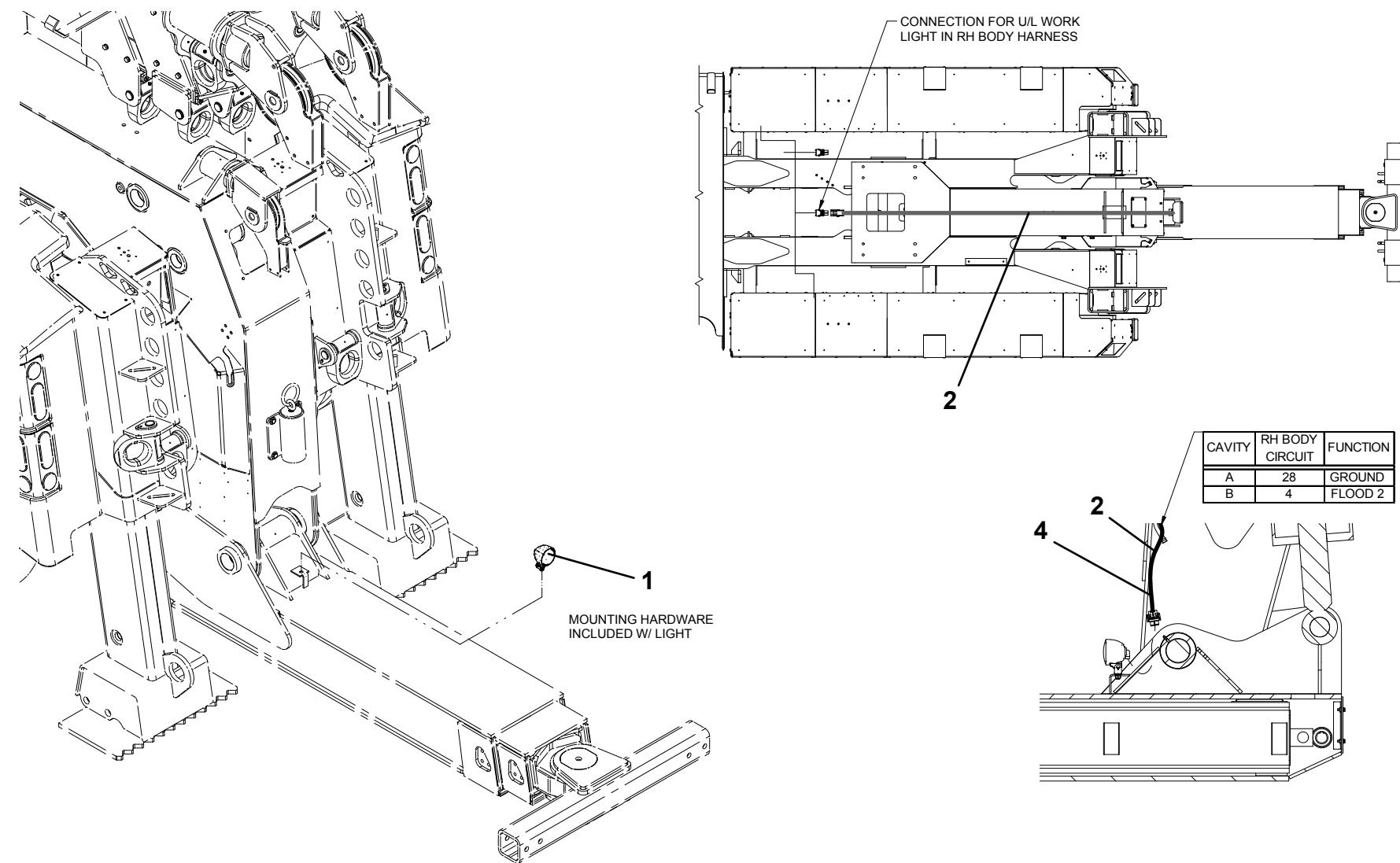
OUTRIGGER LIGHT INSTALLATION



UNDERLIFT LIGHT INSTALLATION

ITEM	PART NO.	DESCRIPTION	QTY
1	7590000350	Light	1
2	1001130467	Harness	1
3	7894000010	Tie Strap	12
4	8597650002	Wire Loom	6in

UNDERLIFT LIGHT INSTALLATION

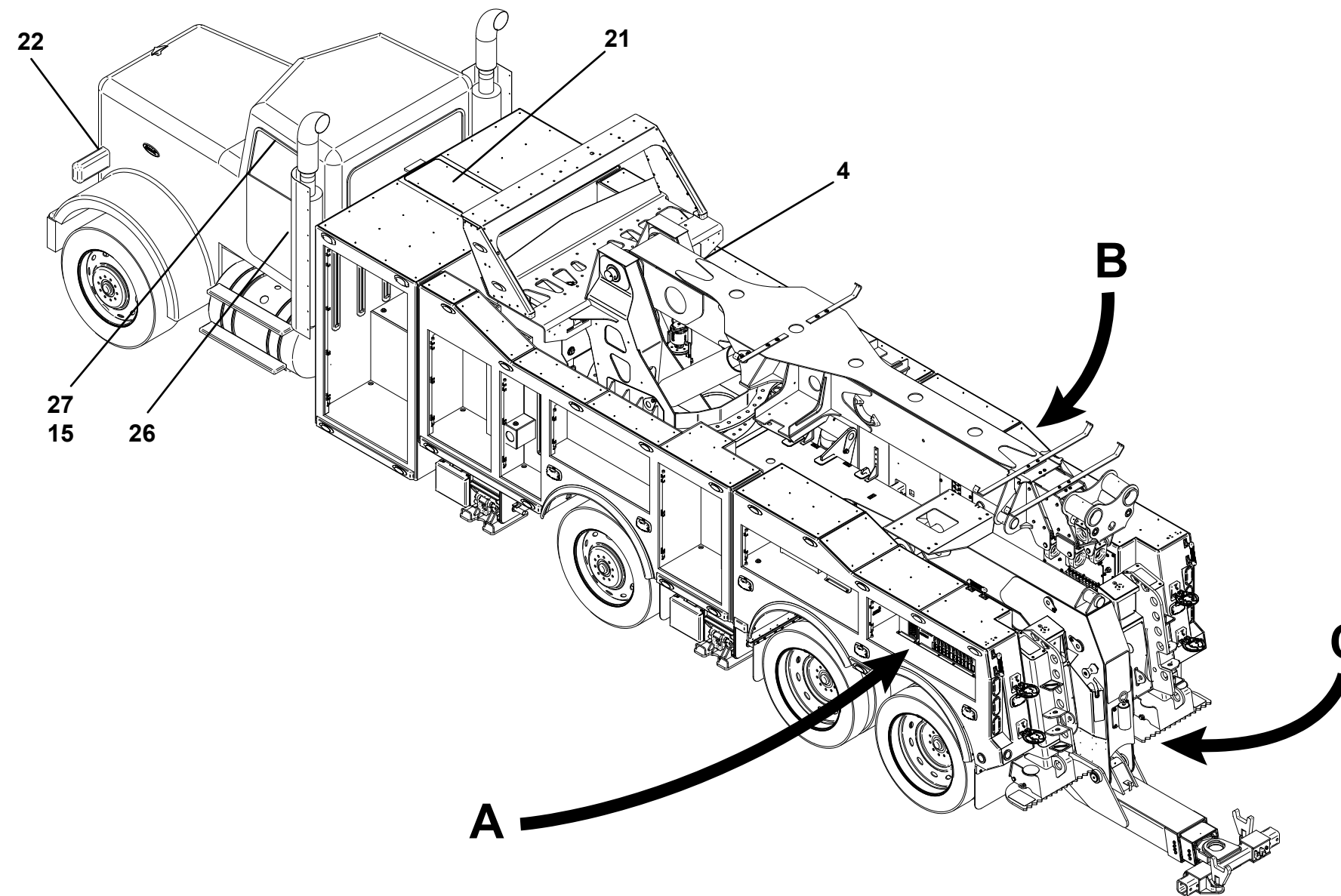


ITEM #3 NOT SHOWN

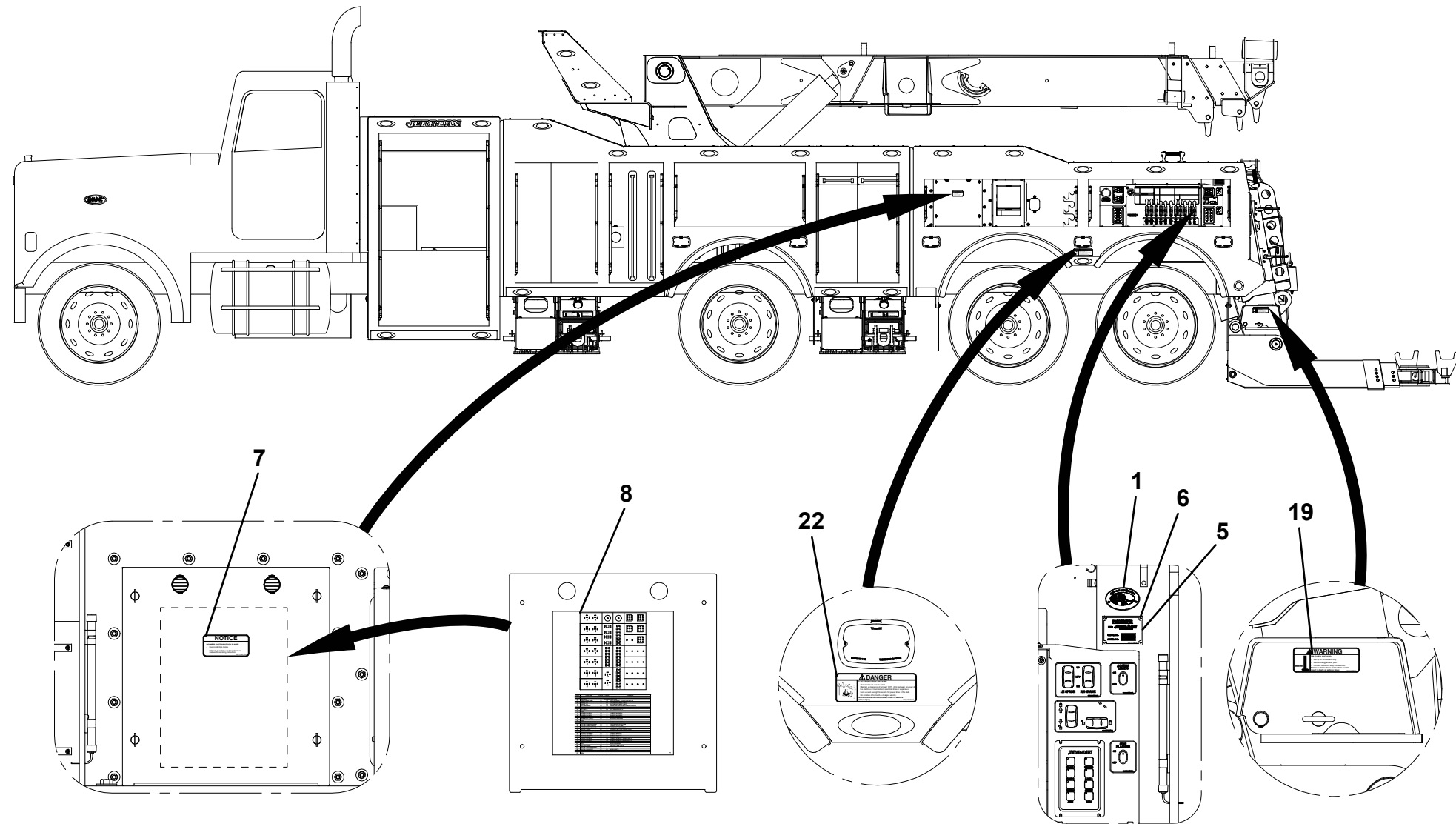
DECAL INSTALLATION

ITEM	PART NO.	DESCRIPTION	QTY
1	7330000143	Decal, Made in USA	1
2	1001136175	Decal, Lube Chart	1
3	1001137185	Decal, Outrigger/Spade Warning	4
4	1001136119	Decal, Hydraulic Fluid	1
5	1001127220	Decal	1
6	7759000004	Rivet	14
7	1001136075	Decal, High Voltage	1
8	7330000688	Decal, Fuse Panel	1
9	1001153789	Decal, Jerr-Dan Logo	2
10	7330000208	Decal, Service Air	1
11	7330000209	Decal, Supply Air	1
12	7330000210	Decal, Aux. Air	1
13	1001136094	Decal, Crushing Hazard	2
14	1001136091	Decal, Towed Load Hazard	2
15	1001142828	Decal, Fall Hazard	1
16	1001132242	Decal	1
17	1001132346	Patent Placard	1
18	1001137169	Decal, Pinch Hazard	2
19	1001136080	Decal, Recovery Stability	2
20	1001142452	Decal, No Step	2
21	1001138612	Decal, Battery Warning	1
22	1001136103	Decal, Power Line Warning	4
23	1001191519	Decal, Load Chart	2
24	1001191518	Decal, Load Chart	2
25	1001138537	Decal, Hook Notice	2
26	7330000689	Decal	1
27	1001141227	Decal, Backing Hazard	1
28	1001174339	Decal, Spade Housing Step	4
29	1001174343	Decal, Spade Step Circle	2
30	1001174346	Decal, Spade Step	4

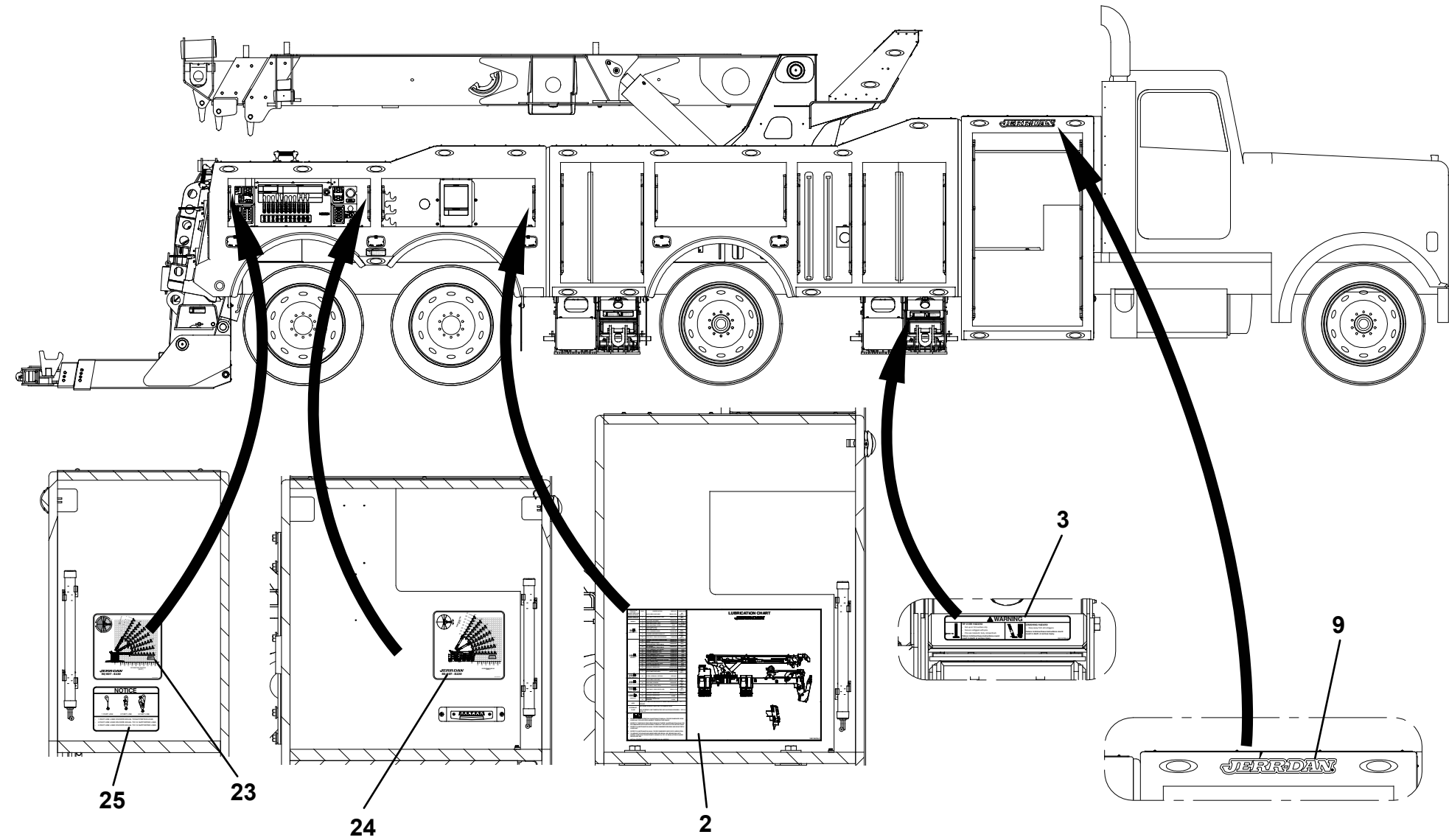
DECAL INSTALLATION



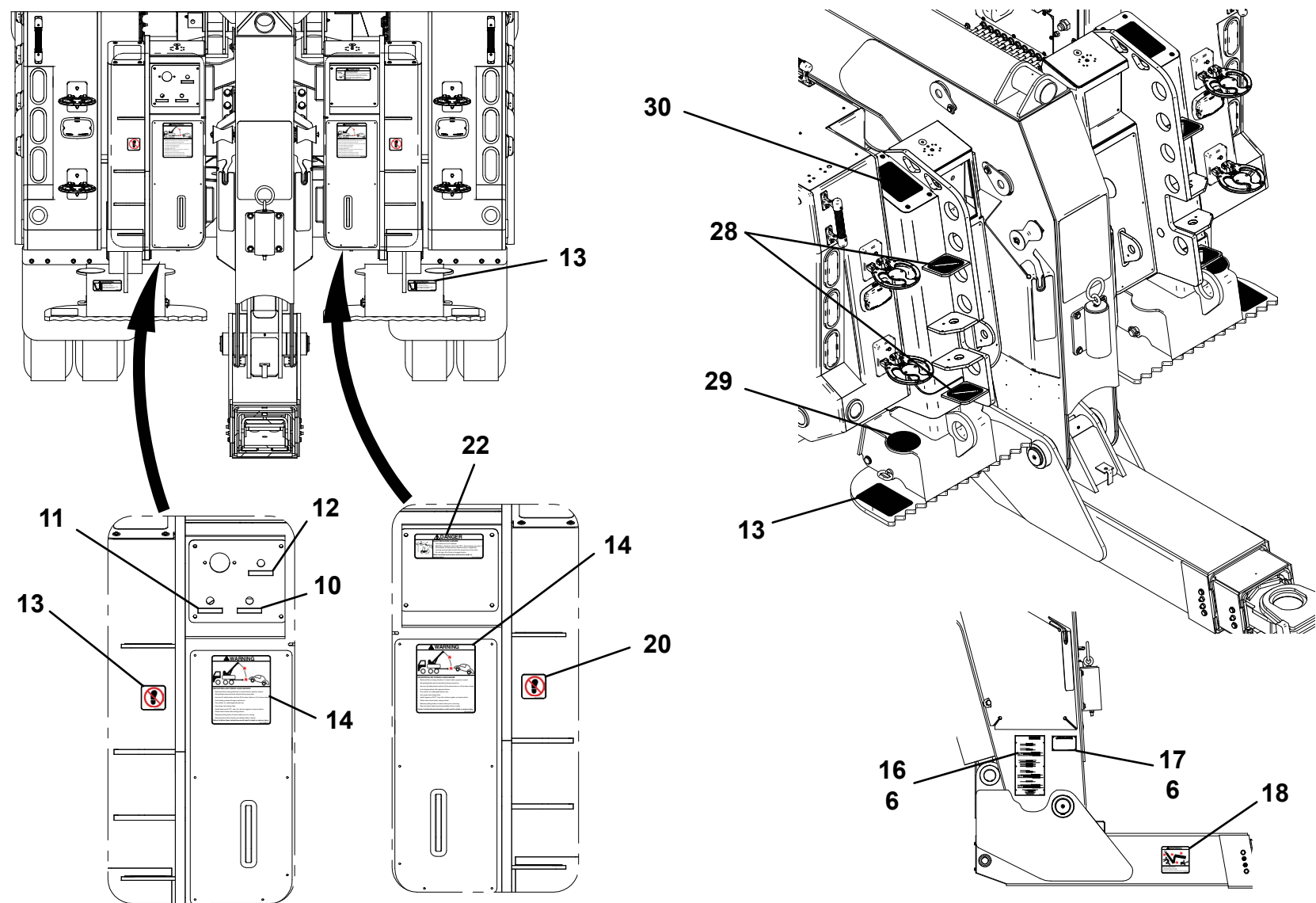
DECAL INSTALLATION



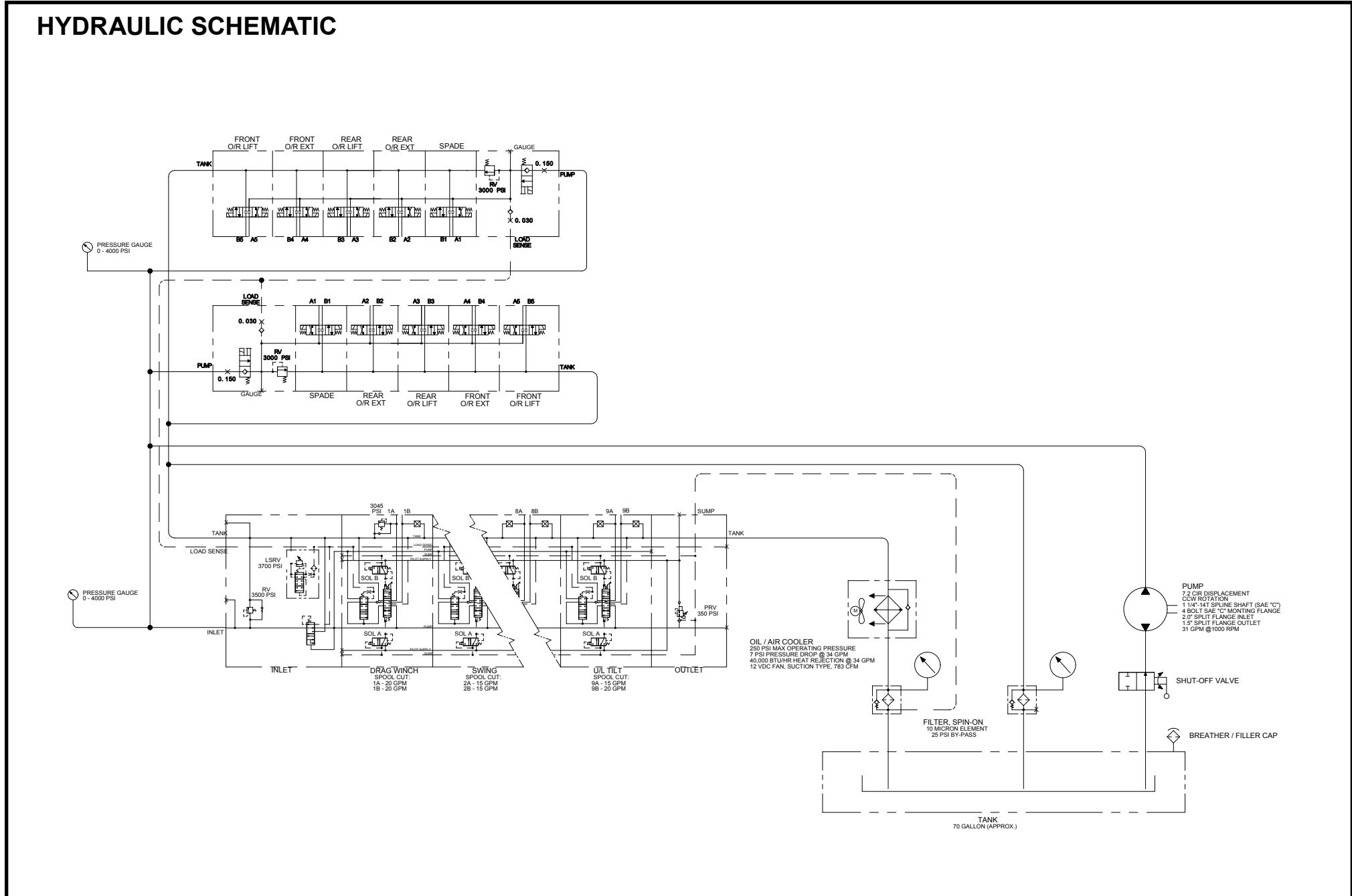
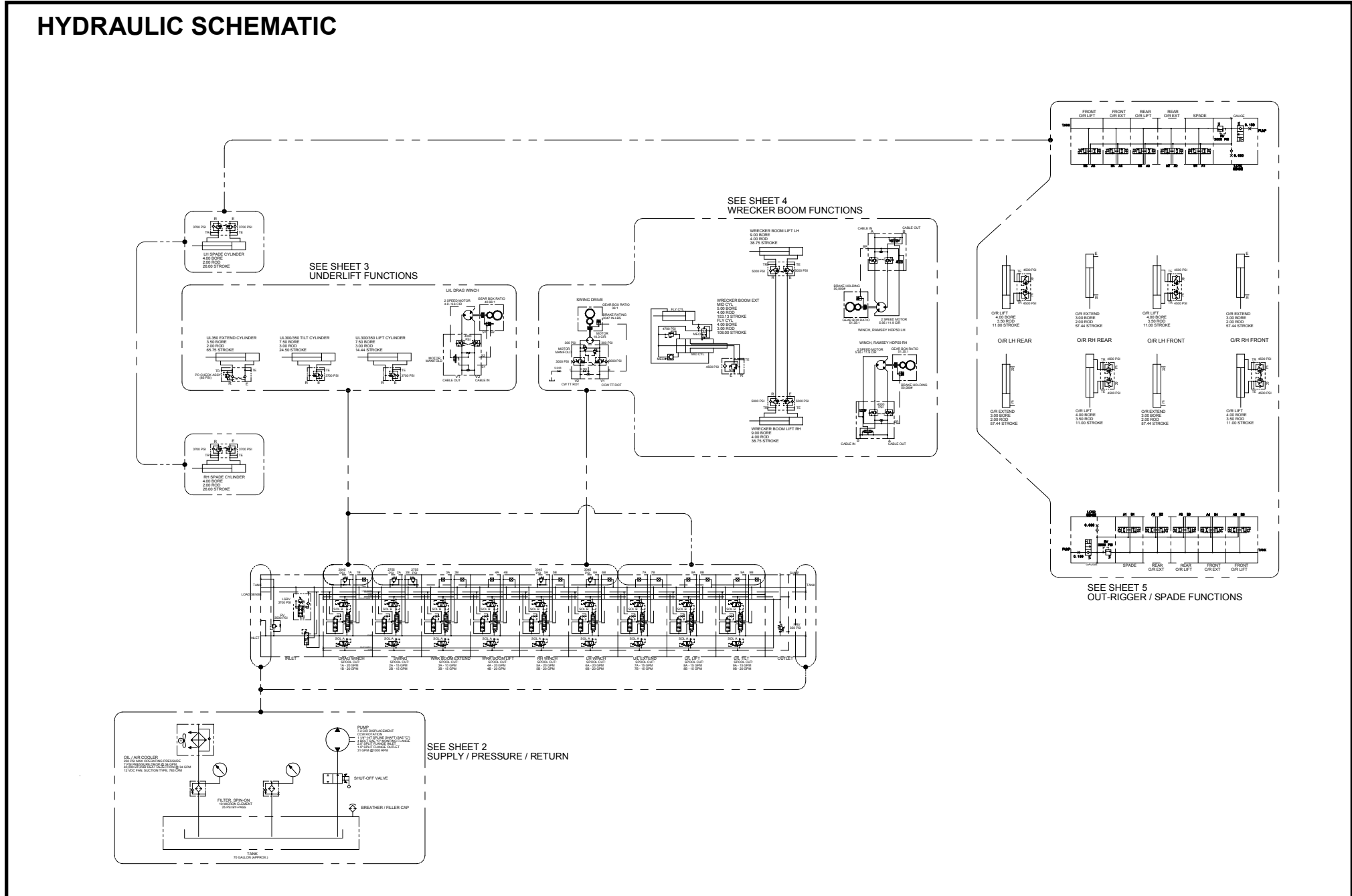
DECAL INSTALLATION



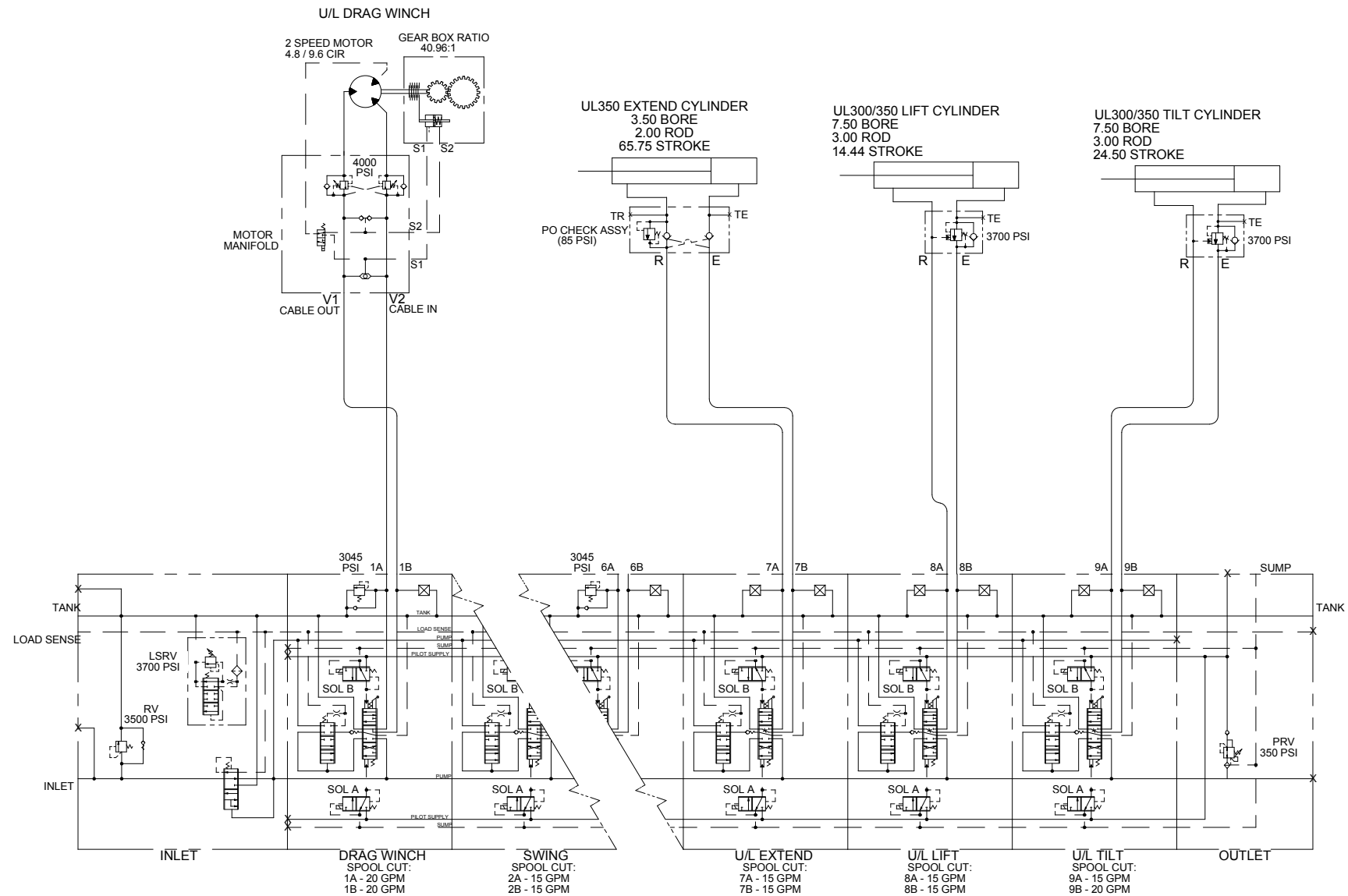
DECAL INSTALLATION



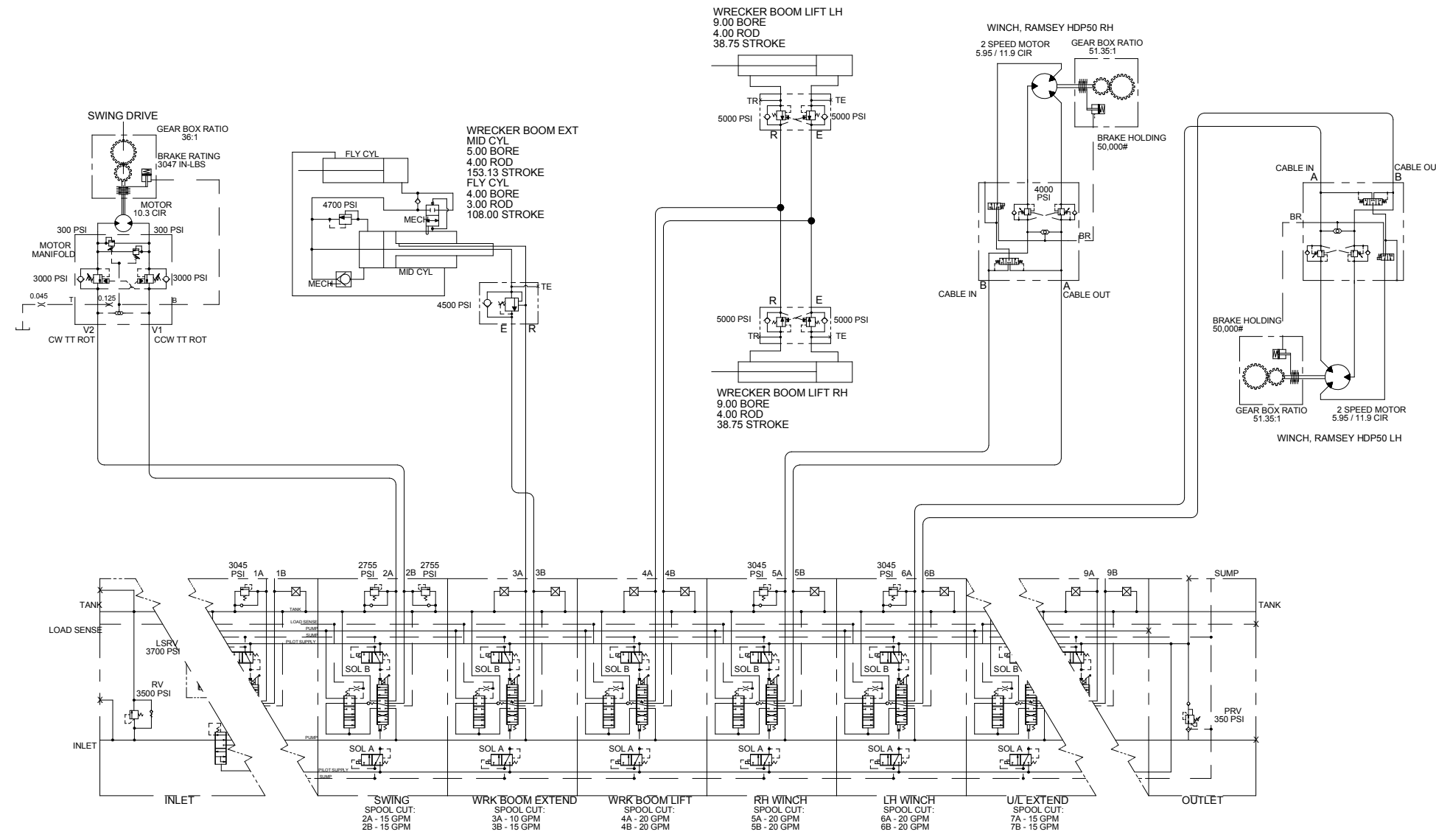
THIS PAGE INTENTIONALLY LEFT BLANK

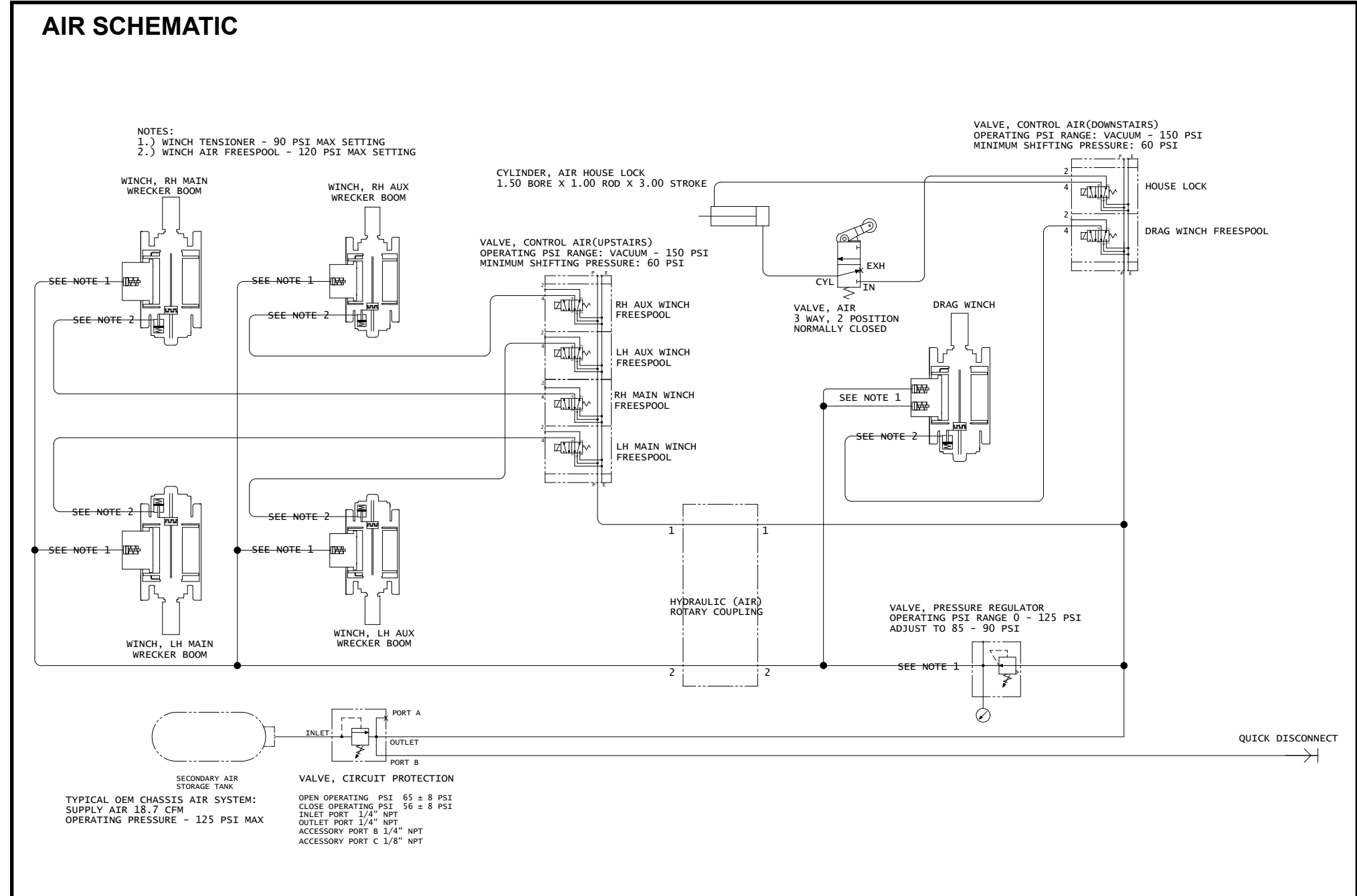
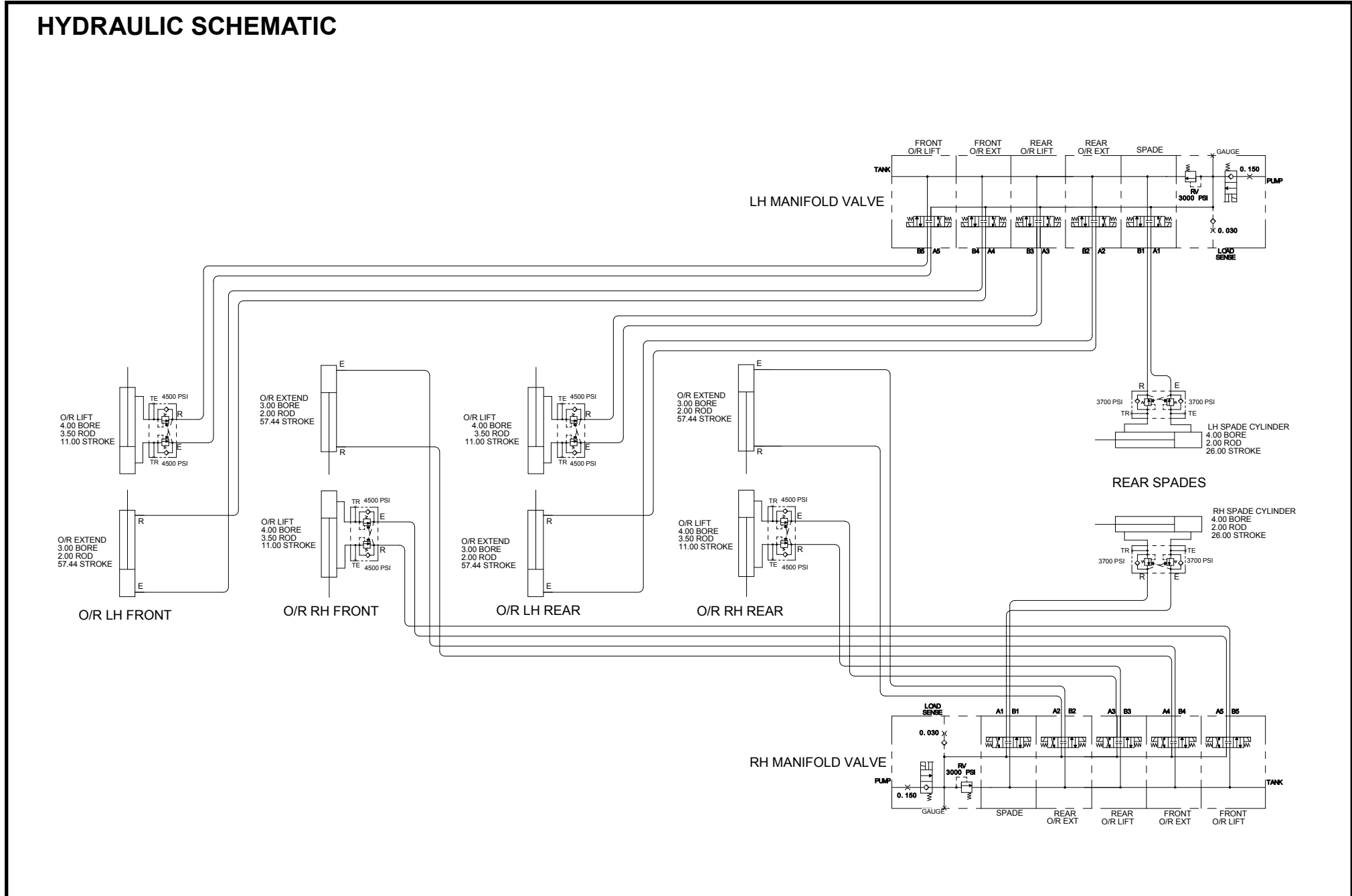


HYDRAULIC SCHEMATIC



HYDRAULIC SCHEMATIC





PART NUMBER INDEX

Part Number	Page	Part Number	Page	Part Number	Page	Part Number	Page
0100011	26, 32, 72, 78, 94, 142, 172	7005348	112, 116, 120, 124, 128, 132, 136, 140	70050129	98	70050201	324
641614	32			70050132	98	70050202	324
642034	172	7005365	40, 70, 112, 116, 120, 124, 132, 136, 140	70050139	102	70050203	324
682016	32			70050140	102	70050204	324
0682212	24, 26, 110, 114	7019828	40, 124, 128	70050141	102	70050205	324
682220	26	7019829	136, 140	70050147	88, 106, 150	70050206	324
0682248	110, 114	7019844	124, 128	70050151	108	70050207	324
0682622	52	7019845	124, 128	70050152	108	70050208	324
0682652	44	7019846	124, 128	70050163	324	70050209	324
750504	248	7019892	112, 120	70050169	324	70050210	324
751003	248, 296	7023518	136, 140	70050170	324	70050211	324
0751006	194	7023593	70	70050171	324	70050215	40, 116, 132
0751406	194, 312	7024101	136, 140	70050172	324	70050216	112, 120
0751408	194, 274	7024444	20	70050174	324	70050217	124
2220773	260	7024445	20	70050175	324	70050218	124
2220775	260	7029760	28, 34, 64	70050176	324	70050232	116
2220973	261	07050505	232	70050177	324	70050273	22
2221051	260	8034697	284, 292	70050178	324	70050274	22
3020029	32	10701259	44, 52	70050179	324	70050275	22
3272001	32	10837929	284, 292	70050180	324	70050276	22
3272201	26	10837937	284, 292	70050181	324	70050277	22
3311605	32	70021648	40, 70, 112, 116, 120, 124, 128, 132, 136, 140	70050182	324	70050278	22
3740080	312			70050183	324	70050279	22
3760308	232, 248	70021757	116, 132	70050185	324	70050280	22
3841203	94, 142	70021774	70	70050186	324	70050281	22
3841258	32, 72, 78	70022067	28, 64	70050187	324	70050282	22
3841287	26	70022563	36	70050188	324	70050308	302
3931624	32	70022564	36	70050189	324	70050309	302
4460509	332	70022603	28	70050190	324	70050310	302
4461018	332	70023370	36	70050191	324	70050312	302
4712200	26	70023371	36	70050192	324	70050315	302
7003116	136, 140	70050085	108	70050194	324	70050316	302
7003212	40, 124, 128	70050086	108	70050195	324	70050318	302
7003281	124, 128	70050113	98	70050196	324	70050319	302
7005314	112, 116, 120, 132	70050115	98	70050197	324	70050320	302
7005322	40	70050126	98	70050199	324	70050321	302
		70050127	98	70050200	324	70050332	74

PART NUMBER INDEX

Part Number	Page	Part Number	Page	Part Number	Page	Part Number	Page
70050333	74	70050370	80, 154	70050411	64	70050452	34
70050334	74	70050371	80, 154	70050412	64	70050472	284, 292
70050335	74	70050372	80, 154	70050413	64	70050473	284, 292
70050336	74	70050373	80	70050414	34	70050474	284, 292
70050337	74	70050374	86	70050415	64	70050475	284, 292
70050338	74	70050375	90	70050416	64	70050476	284, 292
70050339	74	70050376	90	70050419	64	70050477	284, 292
70050340	74	70050377	90	70050420	64	70050478	284, 292
70050341	74	70050378	90	70050421	64	70050479	284, 292
70050342	74	70050379	90	70050422	64	70050480	284, 292
70050343	74	70050380	84	70050423	64	70050481	284, 292
70050344	74	70050381	82	70050424	28	70050482	284, 292
70050345	74	70050382	82	70050425	28	70050483	284
70050346	74	70050383	82	70050426	28	70050484	284, 292
70050347	74	70050384	88, 106, 150	70050427	28	70050485	284, 292
70050348	74	70050385	92	70050428	28	70050486	284, 292
70050349	74	70050386	20	70050430	28	70050487	284, 292
70050350	74	70050387	20	70050431	28	70050488	284, 292
70050351	74	70050388	20	70050432	28	70050489	284, 292
70050352	74	70050389	20	70050433	28	70050490	284, 292
70050353	74	70050390	20	70050434	28	70050491	284, 292
70050354	74	70050391	20	70050435	28	70050492	284, 292
70050355	74	70050392	324	70050436	28	70050501	284, 292
70050356	74	70050393	324	70050437	34	70050502	284, 292
70050357	74	70050394	324	70050438	28, 34	70050503	284, 292
70050358	74	70050395	324	70050439	28, 34	70050504	284, 292
70050359	74	70050396	74	70050440	28	70050505	284, 292
70050360	74, 76	70050399	154	70050441	34	70050506	284, 292
70050361	76	70050400	154	70050442	34	70050507	284, 292
70050362	76	70050401	98, 154	70050444	34	70050508	284, 292
70050363	76	70050402	154	70050445	34	70050510	284, 292
70050364	76	70050403	64	70050446	34	70050526	310
70050365	128	70050404	64	70050447	34	70050527	310
70050366	76	70050407	64	70050448	34	70050528	310
70050367	80	70050408	64	70050449	34	70050529	310
70050368	80, 154	70050409	64	70050450	34	70050530	310
70050369	80, 154	70050410	64	70050451	34	70050531	40

PART NUMBER INDEX

Part Number	Page	Part Number	Page	Part Number	Page	Part Number	Page
70050534	136, 140	70050572	70	70050753	104	70050839	238
70050535	136, 140	70050573	302	70050754	106	70050840	238
70050536	136	70050574	70	70050755	106	70050841	238
70050537	136	70050575	70	70050756	106	70050842	246
70050538	136	70050576	70	70050757	106	70050843	246
70050540	136, 140	70050577	70	70050758	106	70050844	246
70050541	136, 140	70050578	70	70050759	106	70050845	246
70050542	120	70050579	70	70050760	106	70050846	246
70050543	120	70050580	70	70050761	108	70050847	246
70050544	116, 132	70050581	70	70050791	36	70050848	246
70050545	116, 132	70050582	70	70050792	36	70050849	246
70050546	116	70050583	70	70050793	36	70050922	236, 238
70050547	116	70050584	70	70050794	36	70050923	236, 238
70050548	116, 132	70050585	70	70050795	36	70050924	236, 238
70050549	116, 132	70050586	70	70050796	36	70050925	236, 238
70050550	140	70050587	70	70050797	36	80004049	116, 132
70050551	140	70050588	70	70050798	36	80004056	140
70050552	140	70050589	70	70050799	36	83304140	70, 112, 120
70050553	124	70050590	70	70050800	36	83304143	70, 120
70050554	124	70050591	70	70050801	36	83304173	20
70050555	124	70050592	70	70050802	36	83304174	20
70050556	70	70050594	132	70050803	36	83304181	70
70050557	70	70050595	132	70050804	36	88671001	26
70050558	70	70050734	292	70050805	36	90022234	28
70050559	70	70050739	98	70050806	36	90022282	28
70050560	70	70050740	98	70050807	36	91024100	34
70050561	70	70050741	98	70050808	36	91034041	64
70050562	70	70050742	98	70050809	36	91034051	34
70050563	70	70050743	98	70050810	36	1001003803	30
70050564	70	70050744	98	70050831	238	1001118961	44
70050565	70	70050745	100	70050832	238	1001122235	232, 248
70050566	70	70050746	100	70050833	238	1001127220	338
70050567	302	70050747	100	70050834	238	1001127311	24, 26, 28
70050568	70, 136	70050749	100	70050835	238	1001127312	30, 34, 36
70050569	70	70050750	102	70050836	238	1001127313	60, 62, 64
70050570	70	70050751	102	70050837	238	1001127315	18
70050571	302	70050752	102	70050838	238	1001127316	44

PART NUMBER INDEX

Part Number	Page	Part Number	Page	Part Number	Page	Part Number	Page
1001127324	46	1001129800	306, 310	1001130884	312	1001136075	338
1001127327	288, 290	1001129818	318	1001130891	304	1001136080	338
1001127656	50	1001129820	318	1001131032	274	1001136091	338
1001127671	280, 282	1001129828	322	1001131060	44	1001136094	338
1001127836	66, 68	1001129861	322	1001131123	282, 290	1001136103	338
1001127841	66, 68	1001129987	48	1001131124	282, 290	1001136119	338
1001127853	66	1001130086	274	1001131129	282, 290	1001136146	274
1001127918	30	1001130087	274	1001131131	282, 284	1001136175	338
1001127996	18, 20	1001130208	280, 288	1001131160	328, 330	1001136270	296
1001128160	114	1001130209	280, 288	1001131171	326	1001136470	142
1001128283	60, 62	1001130210	280, 288	1001131302	260	1001136692	44
1001128323	72, 74	1001130211	280, 288	1001132242	338	1001136761	261
1001128391	52	1001130215	280, 288	1001132346	338	1001136772	261
1001128440	110	1001130216	280, 288	1001133242	114	1001136792	261
1001128450	110	1001130217	280, 288	1001133286	114	1001136807	261
1001128463	60	1001130218	280	1001133571	10, 14	1001136811	260
1001128697	110, 114	1001130258	280	1001134239	52	1001136811*	260
1001129004	66, 68	1001130262	274	1001134354	312	1001136814	260
1001129005	66, 68	1001130347	274	1001134376	274	1001136817	260
1001129006	66, 68	1001130395	10, 14	1001134411	274	1001136821	260
1001129393	66, 68	1001130426	260	1001134412	274	1001136824	260
1001129405	24	1001130427	184, 249	1001134433	274	1001136833	260
1001129406	30	1001130429	332	1001134450	274	1001136836	260
1001129416	24	1001130437	18	1001134451	248	1001136841	260
1001129470	54	1001130467	336	1001134461	274	1001136843	260
1001129495	72, 74	1001130491	274, 282, 290	1001134462	274	1001136844	260
1001129498	30	1001130587	260	1001134463	274	1001136845	260
1001129534	110	1001130589	260	1001134739	10, 14	1001136846	260
1001129535	110	1001130597	260	1001134740	10, 14	1001136851	260
1001129540	72	1001130607	260	1001135089	312	1001136861	260
1001129541	72	1001130608	260	1001135127	72, 78	1001136876	260
1001129542	72	1001130609	260	1001135134	312	1001136881	260
1001129543	72	1001130610	260	1001135136	312	1001136883	260
1001129628	48, 50	1001130611	260	1001135301	306	1001136884	261
1001129777	8	1001130696	274	1001135645	8	1001136891	261
1001129778	8	1001130840	46	1001135652	30	1001136893	261
1001129786	8	1001130883	312	1001135667	30, 32	1001136896	261

PART NUMBER INDEX

Part Number	Page	Part Number	Page	Part Number	Page	Part Number	Page
1001136939	261	1001151049	110	1001158448	68	1001163615	176
1001136957	261	1001151050	114	1001158540	62	1001163626	176
1001136958	261	1001151184	110, 114	1001158844	32	1001163628	176
1001136960	261	1001151185	110, 114	1001159354	94	1001163629	176
1001137048	260	1001151763	18, 22	1001160799	226	1001163630	176
1001137049	260	1001151789	172	1001162242	248	1001163651	274
1001137052	260	1001153789	338	1001162243	248	1001163652	274
1001137159	274	1001154068	312	1001162277	248	1001163669	248
1001137160	274	1001154069	274	1001162321	248	1001163674	274
1001137169	338	1001154073	312	1001162382	248	1001163681	274
1001137185	338	1001154074	312	1001162399	248	1001163682	288
1001138021	196	1001154075	274	1001162402	248	1001163687	274
1001138022	196	1001154101	184, 249	1001162519	248	1001163690	274
1001138537	338	1001154274	274	1001162714	248	1001163926	248
1001138612	338	1001154275	274	1001162827	312	1001164154	172
1001141149	196	1001154276	274	1001162904	248	1001164193	172
1001141227	338	1001154277	274	1001162928	248	1001164558	192
1001141265	216	1001154530	182	1001162945	248	1001164560	192
1001141592	248, 304	1001154786	30, 32	1001162947	248	1001164562	192
1001142452	338	1001156061	54	1001162982	248	1001164601	190
1001142626	54	1001156079	274	1001162993	296	1001164614	190
1001142828	338	1001156279	274	1001163012	296	1001164718	208
1001143542	304	1001157093	290, 292	1001163016	312	1001164719	208
1001143564	304	1001157110	288	1001163024	312	1001164720	208
1001143565	304	1001157212	288	1001163074	312	1001164872	196
1001143937	260	1001157228	274	1001163094	296	1001164929	196
1001144012	18, 248, 296	1001157228	274	1001163094	296	1001164929	196
1001144068	18	1001157232	274	1001163102	312	1001164930	196
1001145521	78	1001157233	274	1001163129	312	1001164931	196
1001145522	78	1001157240	274	1001163153	296	1001165515	230
1001145523	78	1001157245	274	1001163357	178	1001165564	198
1001145524	78	1001157309	274	1001163358	178	1001165570	198
1001145566	78	1001157913	94	1001163396	176	1001165571	198
1001146735	248	1001157914	94	1001163428	176	1001165584	198
1001150151	318	1001157954	94	1001163446	176	1001165587	198
1001150180	320	1001157970	54	1001163447	176	1001165652	198
1001150426	248	1001158142	10, 14	1001163453	176	1001165661	198
		1001158198	96	1001163454	176	1001165687	200

PART NUMBER INDEX

Part Number	Page	Part Number	Page	Part Number	Page	Part Number	Page
1001165692	172	1001167456	180	1001170328	230	1001172004	188
1001165862	202	1001167607	248	1001170329	230	1001172053	110, 114
1001165863	202	1001168320	248	1001170330	230	1001172054	110, 114
1001165982	232	1001168321	248	1001170331	230	1001172120	176
1001165991	204	1001168322	248	1001170332	230	1001172121	176
1001166095	172	1001168323	248	1001170425	204	1001172127	176
1001166097	172	1001168325	248	1001170428	230	1001172651	274
1001166098	172	1001168326	248	1001170434	204	1001172652	274
1001166099	172	1001168328	248	1001170443	202	1001172758	274
1001166100	172	1001168544	190, 192, 196, 224, 226	1001170528	210	1001173737	226
1001166322	176, 188, 274, 304	1001168545	192, 202	1001170532	210	1001173803	230
1001166401	206	1001168733	192	1001170550	222	1001173804	230
1001166402	206	1001168985	208	1001170618	212	1001173847	172
1001166546	182	1001168986	208	1001170707	218	1001174051	234
1001166547	182	1001168993	198, 202, 204, 208, 226	1001170725	220	1001174137	224
1001166548	182	1001169063	198	1001170839	214	1001174138	224
1001166549	182	1001169064	198	1001170846	216	1001174140	224
1001166644	198, 200, 202, 204, 208, 210, 226, 230, 232	1001169076	198	1001170849	180	1001174339	338
1001166670	232	1001169078	198	1001170935	180	1001174341	208
1001166674	232	1001169080	198, 200, 210, 226, 230	1001170937	180	1001174342	208
1001166679	232	1001169083	198, 222	1001170968	202	1001174343	338
1001166898	186	1001169140	196	1001170970	202	1001174346	338
1001166930	232, 248	1001169144	198	1001170971	202	1001174680	248
1001166966	274, 288	1001169617	94, 142	1001170995	216	1001174681	248
1001166974	190, 192, 196, 224, 226, 248, 274	1001169618	72, 78	1001171106	280	1001175064	228
1001166978	274	1001169893	94, 142	1001171113	274, 280	1001175231	208
1001167099	274	1001170037	72, 78	1001171114	274	1001175233	208
1001167286	206, 214	1001170090	230	1001171394	316	1001175248	194
1001167310	312	1001170091	230	1001171538	248	1001175249	194
1001167351	178	1001170092	196	1001171549	248	1001175252	194
1001167352	178	1001170139	226	1001171550	248	1001176936	188
1001167358	178	1001170141	226	1001171669	188	1001177202	172
1001167448	304	1001170143	226	1001171670	188	1001177203	172
1001167452	249	1001170172	160	1001171671	188	1001178692	32
1001167455	180	1001170305	230	1001171672	188	1001178865	32
		1001170307	230	1001171673	188	1001178867	32
		1001170310	230	1001171674	188	1001179003	32

PART NUMBER INDEX

Part Number	Page	Part Number	Page	Part Number	Page	Part Number	Page
1001179129	32	3484000048	162	4062000522	66, 68	4679000159	122, 126
1001179131	26	3484000049	162	4062000589	66, 68	4679000161	122, 126
1001179132	32	3484000072	164	4062000715	66, 68	4679000205	122, 126
1001179143	32	3484000073	164	4062000717	274	4679000206	122, 126
1001179153	26	3507100001	130, 134	4120000021	60, 62	4679000243	30
1001179160	32	3551000036	160	4178000349	260	4679000245	114
1001179170	32	3561000008	162, 164	4178000402	322	4679000277	138
1001179349	230	3561000015	164	4178000659	328, 334	4679000293	138
1001191518	338	3691000126	38	4178000678	224	4679000313	66, 68
1001191519	338	3691000144	166	4178000699	304	4679000314	66, 68
2502880300	164	3691000145	166	4178000811	66, 68	4679000319	66, 68
3007000004	160	3691000160	118	4249000002	94, 142	4679000326	66, 68
3020000119	162, 164	3691000171	110	4561000012	162, 164	4686000254	312
3020000120	162, 164	3691000174	42	4567110065	261	4691000200	38
3170000123	134	3691000223	30, 32	4567112024	261	4691000242	170
3170000124	134	3691000227	24, 26	4567112038	261	4691000274	162, 164
3170000125	134	3691000228	24, 26	4567120022	261	4691000285	66, 68
3170000220	118, 126	3691000231	114	4567120069	260	4691000290	130
3170000221	126	3691000232	130	4567120071	261	4691000291	130
3170000223	126	3691000247	30	4567122014	280, 288	4691000292	134
3170000224	126	3691000252	60, 62	4567122064	261	4691000293	134, 138
3170000400	138	3691000253	30	4567130135	260	4691000311	118
3170000401	138	3691000267	38	4567132085	260	4691000316	122, 126
3170000406	138	3706000080	166	4567150016	260	4691000317	118
3170000407	130, 138	3706000177	122, 126	4567182031	261	4691000318	122, 126
3170000430	122	3706000178	122, 126	4569140046	260	4691000321	138
3170000431	122	3706000179	122, 126	4569160030	260	4691000416	66, 68
3170000432	122	3706000180	122, 126	4569180044	261	4691000417	66, 68
3170000433	118, 122	3706000241	66, 68	4570000167	261	4691000450	54
3178000226	160	3706000261	38	4570000218	261	4691000489	30
3178000240	166	3706000348	30	4570000361	260	4691000556	60, 62
3178000499	166	3911000068	172	4619000006	261	4691960030	76
3249000012	94, 142	3912000033	162, 164	4679000127	114	4695000026	332
3249000037	72, 78	3912000034	142	4679000140	66, 68	4705000705	172
3263000118	38	3912000038	162, 164	4679000146	134	4706001815	234
3272605001	32	3913000094	170	4679000147	134	4706002207	134
3274000011	172	4017001727	196	4679000158	122, 126	4706002208	134

PART NUMBER INDEX

Part Number	Page	Part Number	Page	Part Number	Page	Part Number	Page
4706002209	134	4949000055	42	7114160850	32, 230	7115201050	60, 62, 72, 78
4706002210	134	5526000553	304	7115140650	122, 126, 134, 138	7115201250	110, 114
4706002211	134	6906960019	154	7115140850	54, 196, 326, 328	7115201650	48
4706002467	122, 126	7007000036	10, 14	7115141250	248	7115201850	150
4706003144	122, 126	7007000055	160	7115141450	54	7115202250	150
4706003708	122, 126, 134	7007000056	160	7115141650	196	7115203250	48, 172
4706003709	122, 126, 134	7007960040	80	7115142050	94, 142	7115220850	114, 130
4706003710	134	7011000006	258	7115150650	10, 14, 84, 248	7115222450	88
4706003716	38	7056000003	168	7115150664	10, 14	7115222650	88
4706003717	134	7056000004	168	7115150850	46, 306	7115241650	74
4706003718	134	7056000005	168	7115150864	158	7118140427	66, 68
4706003719	122, 126	7056000006	168	7115151050	260	7118165250	152
4706003720	122, 126	7075000003*	304	7115151250	306	7118172050	80, 98, 154
4706003721	122, 126	7075000006*	304	7115151450	234	7118180820	66, 68
4706003722	122, 126	7082000005	274	7115160623	114	7118181205	80, 154
4706003723	122, 126	7105163650	74	7115160650	42, 274	7118181250	168
4706003724	122, 126	7105180850	122, 126	7115160850	18, 22, 54	7118201616	94, 142
4706003725	122, 126	7108180850	66, 68, 134, 138	7115161050	274	7118221650	46
4706003844	260	7108181050	134	7115161223	110	7118221816	72, 78
4706004173	54	7110201423	144	7115161250	196, 322	7118221850	24
4706004174	54	7110201823	82	7115161450	110, 114, 274, 280, 288	7118222416	72
4706005262	138	7114080418	248	7115161650	38, 248, 261, 274	7118222816	78
4706005263	138	7114080618	248	7115161850	274	7118222850	96
4706005281	138	7114100418	66, 68, 312	7115163250	274	7118225650	60, 62
4754000004	42, 66, 68	7114100518	54	7115180650	66, 68	7118267250	166
4754000006	30, 32	7114100618	248	7115180850	66, 68, 94, 110, 118, 142,	7120000035	248
4763000295	54	7114101618	54	322	7120000036	166	
4811000942	54	7114140418	122, 126	7115181050	172	7120000040	66, 68
4812000057	134	7114140423	196	7115181250	110, 114, 172	7120000047	274, 304
4831000108	72, 78	7114140518	38, 134, 138, 210	7115181250*	142	7120000053	96
4831000115	96	7114140618	30, 192, 206, 274, 318	7115181450	66, 68, 320	7120000053*	142
4831000115*	142	7114140818	52, 66, 68	7115181650	92, 156	7120000062	8
4912000369	54	7114140823	196	7115181850	18	7178000025	249
4949000041*	170	7114141218	66, 68	7115182050	196	7178000038	54
4949000042*	170	7114150818	306	7115182250	80, 172	7189000014	96
4949000045	94, 142	7114160618	332	7115182850	72, 78	7189000014*	142
		7114160818	30, 206	7115185650	74	7189000017	114

PART NUMBER INDEX

Part Number	Page	Part Number	Page	Part Number	Page	Part Number	Page
7209000022	170	7330000208	338	7443000148	158, 306	7445081043	260, 280, 288
7209000023	10, 14	7330000209	338	7443000154	306	7445081045	50
7209000024	10, 14	7330000210	338	7443000155	306	7445100843	260, 261
7209000029	118, 130	7330000278	162, 164	7443000156	306	7445100845	261
7209000033	10, 14	7330000533	198	7443000158	260	7445101018	260
7247000095	332	7330000550	162, 164	7443000173	50, 260, 306	7445101025	280, 288
7248000148	142	7330000688	338	7443000175	306	7445101043	50, 260, 261, 280, 288
7248000149	72, 78	7330000689	338	7443000178	306	7445101045	50, 261
7253000002	24, 26, 30, 32, 42, 60, 62, 66, 68, 72, 78, 94, 110, 114, 118, 130, 142	7345001704	249	7443000204	92, 156	7445121243	280, 288
7262000025	110, 114	7345001714	316	7443000205	92, 156	7445161243	260, 280, 288
7262000026	160	7345001914	332	7443000207	280, 288	7445161245	260, 280, 288
7274000026	328	7345222202	248	7443000243	306	7445161620	260
7274000030	10, 14	7345242202	248	7443000258	260	7445161622	260
7274000076	260	7346000035	328, 330	7443000270	306	7445161625	280, 288
7274000088	10, 14	7346000037	328, 330	7443000329	306	7445161637	260
7277000012	54	7346000039	249, 312, 332	7443000396	306	7445161645	280, 288
7280000006	248	7346000040	190	7443000397	306	7446100836	232
7293000006	8	7346000045	248	7443000408	260	7446502518	158, 306
7295000029	306	7346000055	158	7443000414	50	7454000003	160
7295000146	304	7346000056	54	7443000448	306	7454000004	160
7312000015	158	7346000078	158	7444020013	306	7454000005	160
7312000016	158	7346000094	328, 330	7444030037	306	7454000006	160
7312000017	306	7346000276	312	7445040421	260	7457000006	248, 304, 332
7320000006	38, 40	7346000277	312	7445040425	260	7457000011	248
7320000026	134, 136	7348000039	316	7445040445	80, 154	7457000012	248
7320000039	118, 120	7413000002	274	7445060435	158	7457000019	248, 312
7320000040	110, 112	7430000004	260	7445060625	280, 288	7457000023	248
7320000042	126, 128	7440000000	24, 60, 62	7445060643	260, 261, 280, 288	7470000002	260
7320000063	114, 116	7440030000	42, 60, 62, 66, 68, 72, 78, 94, 110, 114, 118, 122, 126, 130, 134, 138, 142	7445060645	280, 288	7470000004	260
7320000068	138, 140			7445060648	260	7470000006	306
7320000069	54	7440030400	30, 32, 124, 128	7445080643	260	7470000014	66, 68
7320000076	122, 124	7440300000	170	7445080644	260	7470000019	66, 68
7320000085	66, 68, 70	7443000108	260	7445080825	280, 288	7491000207	38
7320000096	130, 132	7443000139	306	7445080837	260	7493000003	326
7330000143	338	7443000145	158	7445080843	260	7493000009	249
		7443000146	158	7445081039	260	7493000021	330
						7493000026	248

PART NUMBER INDEX

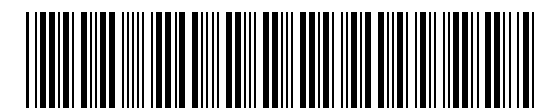
Part Number	Page	Part Number	Page	Part Number	Page	Part Number	Page
7552000455	312	7660152604	306	7691000025	166	7809000018	72, 78
7552000456	312	7660160000	22	7691000026	162, 164	7821000009	196
7561000020	168	7660162601	18, 38, 54, 190, 192, 196, 206, 222, 224, 226, 230, 248, 274, 280, 288, 322	7691000042	110, 114	7843000038	54
7565000014	158, 306			7691000047	42	7870000043	248
7565000015	232			7691000048	30, 32	7870000123	248
7565000016	261, 306			7691000049	54	7870000128	316
7565000019	302	7660162604	198, 200, 232	7691000050	54	7870000129	316
7577000063	132	7660170230	54	7740000001	248, 304, 312, 332	7870000143	248
7577000145	158	7660180001	54	7740000003	18, 248, 296	7870000155	312
7577000167	40	7660180200	54	7740000008	248	7870000159	312
7577000273	274	7660180230	122, 126	7754000008	38	7894000004	260
7577000320	116	7660182301	172	7754000009	274	7894000010	326, 328, 330, 336
7577000368	164	7660182601	18, 66, 68, 72, 78, 96, 172, 196, 320, 322	7754000014	66, 68	7894000028	162, 164
7577250204	120	7660182601*	142	7754000018	118, 130	7894000037	162, 164
7577250255	112	7660200001	92, 106, 150, 156, 172	7754000033	38	7894000041	162
7577250271	124, 128	7660200200	92, 106, 156, 260	7754000042	170	7894000042	322
7577250334	136, 140	7660202601	48, 110, 114	7754000043	122, 126, 134, 138	7894000057	164
7590000049	302	7660220001	88	7754000049	94, 142	7894000060	164
7590000105	249	7660222308	72, 78	7754000051	118, 130	7935000120	306
7590000262	184, 248	7660222601	24, 60, 62, 110, 114	7754000055	66, 68	7935000273	54
7590000282	184, 249	7660262600	30	7754000058	30	7949000015	18, 110, 114
7590000343	248	7661000018	94, 142	7754000083	72, 78	7949000016	18
7590000350	334, 336	7661000019	122, 126, 138, 318	7759000004	162, 164, 338	7949000019	172
7636000008	172	7661000022	10, 14	7785152420	260	7949000020	172
7660040000	304	7661000023	248	7785181200	74	7949000025	38
7660082500	248	7661000024	312	7786000008	122, 126	7949000053	248
7660082604	248	7661000027	10, 14	7790060676	260	7949000072	322
7660102601	54	7661000041	306	7790100856	18	7950000000	130
7660102604	248, 312	7663000006	18	7790141251	178, 214, 224, 226, 258, 304, 334	7950100103	312
7660140001	54, 274	7690021210	54	7790141651	178, 200, 212, 214, 218, 224, 228, 312	7950140000	52, 66, 68, 122, 126, 134, 138, 274
7660140230	274	7690142845	198			7950140003	192
7660142601	54, 66, 68, 180, 196, 206, 248, 328	7690144840	66, 68			7950140141	54, 248, 312
7660142604	94, 142, 210, 326	7690153245	84			7950140143	180, 192, 206, 214, 226, 318, 326, 328
7660150000	282, 290	7691000019	38			7950140153	38, 224
7660150001	306	7691000020	160, 162, 164			7950140161	52, 274
7660152601	158, 180, 234, 260	7691000021	160, 162, 164				
		7691000022	160				

PART NUMBER INDEX

Part Number	Page	Part Number	Page	Part Number	Page	Part Number	Page
7950140163	178, 196	7950220142	46	9209960025	146	9571960006	80, 154
7950150000	10, 14, 46, 248	7950220151	88	9209960026	108, 152	9575960012	144
7950150143	306	7970000069	142	9254250007	116, 132	9577760232	302
7950150153	180	7970000169	78	9254250009	124	9577960113	88, 92
7950150161	158, 234, 236, 248, 260	7978000011	248	9280960002	82, 144	9577960119	80, 98
7950160000	22, 30, 42, 54, 152, 261, 274	7990000027	54	9281960004	84	9577960120	80, 98, 154
7950160003	332	8597650001	248	9295310027	304	9577960139	154
7950160141	30, 54, 110, 114, 196, 230	8597650002	328, 330, 336	9295310029	304	9661960033	88
7950160143	32, 190, 192, 198, 200, 202, 204, 206, 208, 210, 222, 224, 226	8632000011	172	9295310030	304	9661960034	106
7950160153	232	8632000012	304	9295310031	304	9690960039	92, 156
7950160161	18, 22, 38, 248, 274, 280, 288, 322	8977030200	332	9295310061	304	9691960019	92, 156
7950160163	332	8977030300	332	9295310068	304	9691960021	80, 98, 154
7950170000	80, 98, 154	9007250005	124, 128	9295310069	304	9691960032	76
7950170153	126	9020960002	92, 156	9309960011	152	9698250014	120
7950180000	66, 68, 80, 90, 92, 106, 110, 114, 118, 138, 156, 168	9064960001	92	9314960022	152	9698250017	112
7950180141	18, 54, 110, 114	9064960007	156	9330960006	146	9698250018	124, 128
7950180143	196	9064960008	76	9443960006	80, 154	9698250019	124, 128
7950180150	172	9073960002	88	9443960010	74	9698960008	80, 98, 154
7950180150*	142	9073960003	150	9443960019	74	9698960009	84
7950180153	72, 78, 122, 134	9073960004	150	9443960020	76	9698960015	108, 152
7950180161	66, 68, 110, 114, 118, 320	9082960013	80, 98, 154	9443960021	76	9698960016	152
7950180252	172	9082960014	80, 84	9472960029	80	9701960010	80
7950180800	80, 98, 154	9082960015	90	9472960030	84	9701960011	90, 108, 152
7950200000	48, 60, 62, 150	9082960018	146, 154	9472960032	80	9701960012	90, 108, 152
7950200141	60, 62	9120960019	92, 106, 156	9472960033	80	9701960013	80
7950200151	92, 106, 156	9120960020	88	9472960036	84	9701960018	108, 152
7950200161	48, 172	9120960024	74	9472960052	146	9706960027	80
7950220000	24, 88, 96, 114	9120960042	76	9472960053	146	9724250014	40
7950220141	24, 60, 62, 96, 110, 114, 130	9120960054	74	9472960054	152	9754250009	40, 70, 136, 140
		9120960063	92, 156	9472960055	146	9754250011	116, 132
		9154960027	84	9472960056	146	9754250014	70, 136, 140
		9177960001	84	9552310033	304	9754250015	40, 124, 128
		9177960002	80	9553250009	40	9754250017	116, 132
		9177960003	146	9553250010	136, 140	9754250043	112, 120
		9177960004	154	9553250015	124, 128	9754250045	112, 120
		9178960011	92, 156	9553250016	128	9754250049	124, 128
		9183960001	80, 90, 108, 152	9570960005	76	9754250054	70

PART NUMBER INDEX

Part Number	Page	Part Number	Page	Part Number	Page	Part Number	Page
9754250055	70	9796960118	108	9970418177	76		
9754960026	108, 152	9796960119	152	9970456008	74		
9754960029	80, 84	9796960120	146, 152	9970960020	144		
9754960030	90	9796960121	146	9970960027	74		
9754960046	108, 152	9796960145	98				
9754960047	108, 152	9796960157	74				
9763250009	40	9796960159	74				
9763250022	112	9796960188	102, 108				
9763250025	128	9806960013	80				
9763250026	128	9806960014	80				
9796250057	40, 136, 140	9806960015	84				
9796250058	70, 136, 140	9806960020	148				
9796250061	40	9806960021	146				
9796250062	112, 116, 120, 132	9831960007	88				
9796250066	40	9831960008	98				
9796250068	132	9831960009	92, 156				
9796250071	70, 112, 120	9831960018	144				
9796250073	40, 136, 140	9843960023	92, 106, 156				
9796250080	40, 124, 128	9843960025	84				
9796250081	136, 140	9843960032	108, 152				
9796250083	116, 132	9912250004	40				
9796250084	70	9912250018	112				
9796250113	112, 120	9912250021	128				
9796250117	112, 120	9912960010	92, 156				
9796250124	112, 120	9935250025	128, 136, 140				
9796250125	112	9935740034	302				
9796250133	124, 128	9935960026	80, 154				
9796250135	124, 128	9935960067	74				
9796250137	124, 128	9935960068	74				
9796250138	124, 128	9949000056	102				
9796250149	70	9949960012	92, 156				
9796960085	80, 84, 90	9949960013	84, 90				
9796960087	80, 84	9949960027	146				
9796960088	80, 154	9949960028	146, 152, 154				
9796960089	144	9949960044	74				
9796960090	80	9949960050	84, 92, 108, 156				
9796960093	84	9949960051	88				
9796960116	108	9949960057	102				



5376000168-0