

# JD16INT POLYBODY MEDIUM DUTY WRECKER PARTS MANUAL

## ***JERR-DAN***<sup>®</sup>

An Oshkosh Corporation Company

13224 Fountainhead Plaza  
Hagerstown, MD 21742  
Phone (717) 597-7111  
[www.jerr-dan.com](http://www.jerr-dan.com)

5-376-000162  
Rev 0 - April 1, 2013

© 2013 Jerr-Dan Corporation. All Rights Reserved



This manual covers the following Jerr-Dan Models:

JD16INT - 16 Ton Integrated With PolyBody

Jerr-Dan Corporation strives to provide information that is accurate, complete and useful. Descriptions and illustrative material contained within this manual are as accurate as known at the time of publication and are subject to change, without notice, as a result of continuous product improvements. Jerr-Dan reserves the right to amend the information in this document at any time without prior notice.

Information contained in this manual reflects how this vehicle was built at the factory. Modifications or additions by the distributor or owner are not reflected in this manual.

This parts manual does not include service parts information for the commercial chassis (IHC, Ford, GM, etc.). That information is provided by the chassis manufacturer.

When ordering parts, please refer to your unit's Serial Number and Model Number. This information is be found on the aluminum tag riveted to the inside of the driver's side rear compartment of the main body.



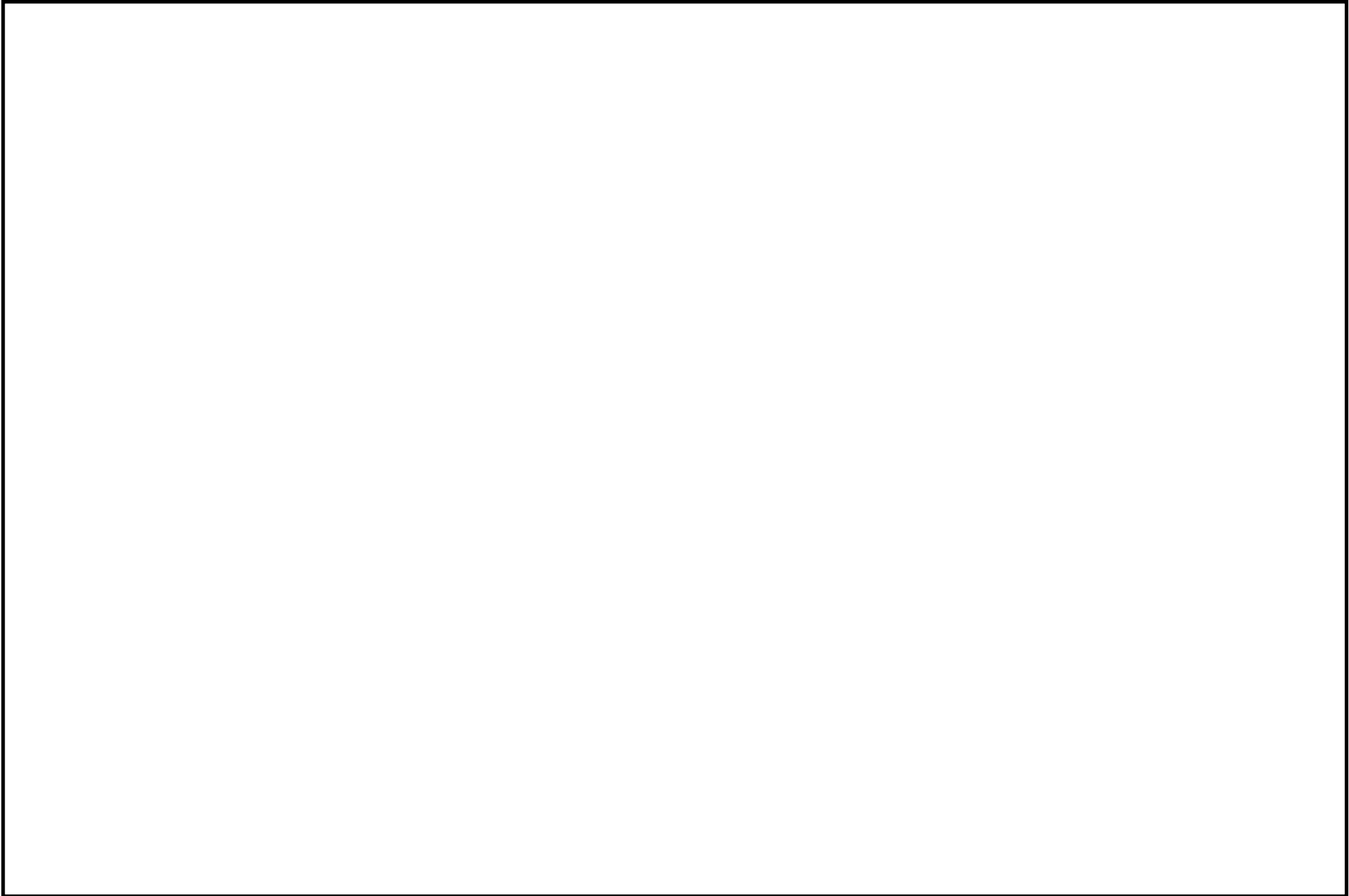
Additional or replacement manuals can be ordered by calling Jerr-Dan Parts at 717-597-7111. Price and availability will be quoted at time of the request.

Please report comments and/or errors by contacting Jerr-Dan Corporation's Technical Publications Department by e-mail at [technicalpublications@jerr-dan.com](mailto:technicalpublications@jerr-dan.com) or by FAX on 717-485-7162.

Manufactured under one or more of the following patents: 5,575,606; 5,672,042; 5,697,741; 5,713,714; 5,722,810; 5,782,596; 5,839,775 and 6,315,515 B1 with other Patents Pending.

Jerr-Dan and the Jerr-Dan logo are registered trademarks and Run Hard is a service mark of Jerr-Dan Corporation, Greencastle, PA USA.

The material in this document is confidential and the property of Jerr-Dan Corporation. No part of this document may be photocopied, Reproduced or translated to another language without the express written consent of Jerr-Dan Corporation.



## TABLE OF CONTENTS

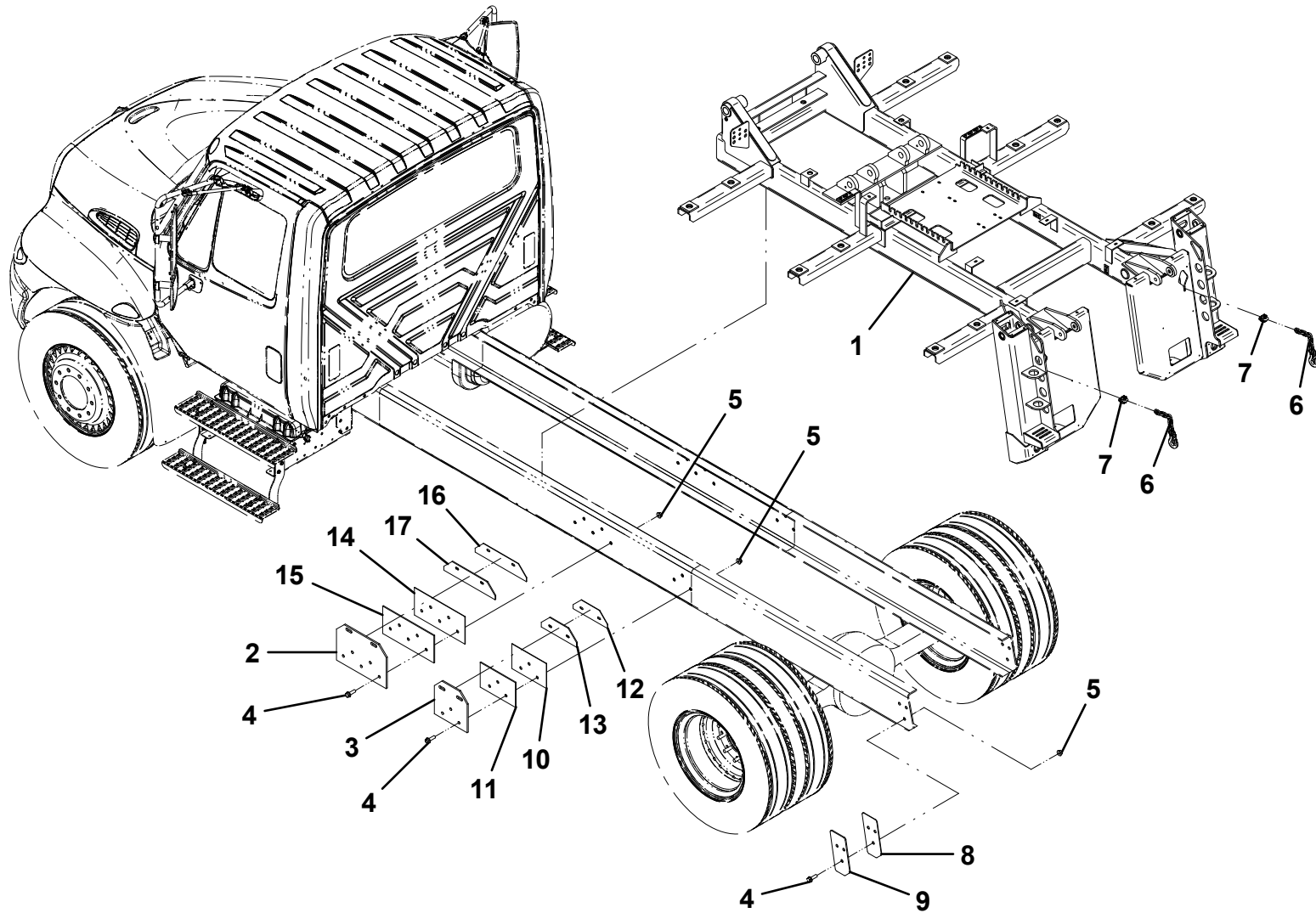
Subframe Installation.....	6	Back-up Alarm Installation.....	84
Subframe Hydraulic Tubing.....	8	Battery Tray Installation.....	86
Hydraulic Tank Installation.....	10	Tool Storage Slide Out - LH & RH Side.....	88
Valve Bank Cover Installation.....	12	Tool Storage Chest Installation.....	90
Auxiliary Air Cover Installation.....	14	Light Pylon Installation.....	92
Rear Deck Assembly.....	16	Body Light And Wiring Installation.....	96
Rear Spade Assembly.....	18	Lightbar Installation.....	100
Spade Cylinder Assembly - 3320000083.....	20	Lightbar - Code 3 - 1001136990.....	102
Boom Installation.....	22	Lightbar - Whelen - 1001129872.....	104
Boom Lift Cylinder Assembly - 3320000085.....	24	Supply Pressure And Return Assembly.....	108
Wrecker Boom Assembly - 2 Piece.....	26	Hydraulic Lines And Fittings.....	110
Wrecker Boom Extension Cylinder Assembly - 3320000080.....	28	Controls And Valve Assembly.....	118
Boom Tube Assembly.....	30	Valve Assembly - 7935000293.....	124
Winch Installation - 16K DP Planetary Winch.....	32	TG Series Electric-Air Shift PTO.....	126
Winch - 16K DP - 1001147414 - Motor End Installation.....	34	TG Series Standard Air Shift PTO.....	128
Winch - 16K DP - 1001147414 - Drum Installation.....	36	TG Series Lectra Shift PTO.....	130
Winch - 16K DP - 1001147414 - Gear End Installation.....	38	CS24 PTO Installation.....	132
Winch - 16K DP - 1001147414 - Input Shaft Installation.....	40	Controls - Electrical With Wireless Remote.....	134
Winch - 16K DP - 1001147414 - Base Mount Installation.....	42	Switch Panel Installation 2 Function - 2870000012.....	138
Winch - 16K DP - 1001147414 - Gear End Cover Installation.....	44	Switch Panel Installation 4 Function In-Dash - 1001135464.....	140
Winch Air Shift.....	46	Switch Panel Installation 6 Function - 3870000005.....	142
Underlift Installation.....	48	Switch Panel Installation 6 Function, 3 Underlift - 3870000022.....	144
Underlift Tilt Cylinder Assembly - 3320000139.....	50	Switch Panel Installation 9 Function - 3870000007.....	146
Underlift Assembly - 3170000294.....	52	Switch Panel Installation 9 Function, 3 Underlift - 3870000021.....	148
Underlift Extension Cylinder Assembly - 3320000072.....	54	Switch Panel Installation 6 Function In-Dash - 3870000009.....	150
Crosstube Installation.....	56	Auxiliary Air Installation.....	152
Underlift Tools - Frame Forks.....	58	Upper Rear Work Light Installation.....	154
Underlift Tools - L-Arm Assembly - 2504880010.....	60	Decals.....	156
Underlift Tools - Medium Duty Tire Lift - 2504880009.....	62	Part Number Index.....	158
Underlift Tools - Fifth Wheel Attachment - 2503880077.....	64		
Underlift Tools - Ball Hitch.....	66		
Underlift Tools - Pintle Hook.....	68		
Rear Tail Plate Installation.....	70		
Body Installation.....	72		
Polybody Doors.....	74		
In-Body Shelving Installation.....	76		
Tool Holder Installation.....	78		
Underbody Tool Box Installation.....	80		
Mudflap Installation.....	82		

**SUBFRAME INSTALLATION**

ITEM	PART NO.	DESCRIPTION	QTY
1	1001140488	Subframe	1
2	4706002918	Plate	2
3	4706002919	Plate	2
4	7118201616	Capscrew, 0.63"-11NC x 2.00"	22
5	7661000018	Nut, 0.63"-11NC	22
6	7262000038	Chain	2
7	7274000109	Clamp	2
8	4706002921*	Plate	2
9	4706002922*	Plate	2
10	4706002925*	Plate	2
11	4706002926*	Plate	2
12	4706002927*	Plate	2
13	4706002928*	Plate	2
14	4706002929*	Plate	2
15	4706002930*	Plate	2
16	4706002931*	Plate	2
17	4706002932*	Plate	2

\* Also Available In Shim Kit - 3577000053

# SUBFRAME INSTALLATION

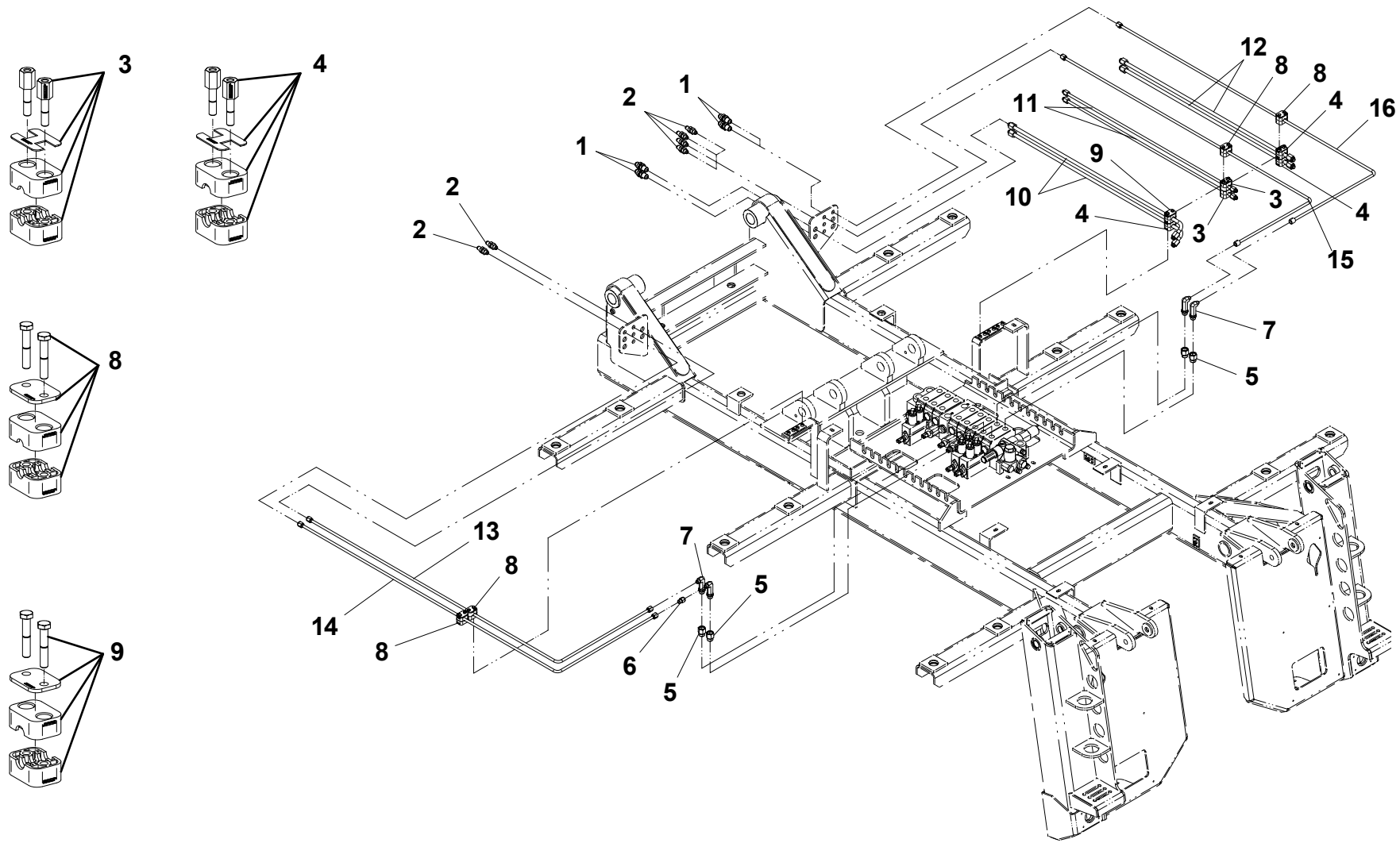


**SUBFRAME HYDRAULIC TUBING**

ITEM	PART NO.	DESCRIPTION	QTY
1	7445080825	Union, Bulkhead	4
2	7445060625	Fitting	6
3	1001140895	Clamp Kit Stackable, 3/8" OD	2
4	1001140894	Clamp Kit Stackable, 1/2" OD	3
5	7443000241	Fitting	4
6	7443000108	Restrictor	1
7	7443000231	Fitting	4
8	1001140722	Clamp Kit, 3/8" OD	4
9	1001136559	Clamp Kit, 1/2" OD	1
10	7912000295*	Tube Assembly	2
11	7912000294*	Tube Assembly	2
12	7912000293*	Tube Assembly	2
13	7912000336*	Tube Assembly	1
14	7912000337*	Tube Assembly	1
15	7912000338*	Tube Assembly	1
16	7912000339*	Tube Assembly	1



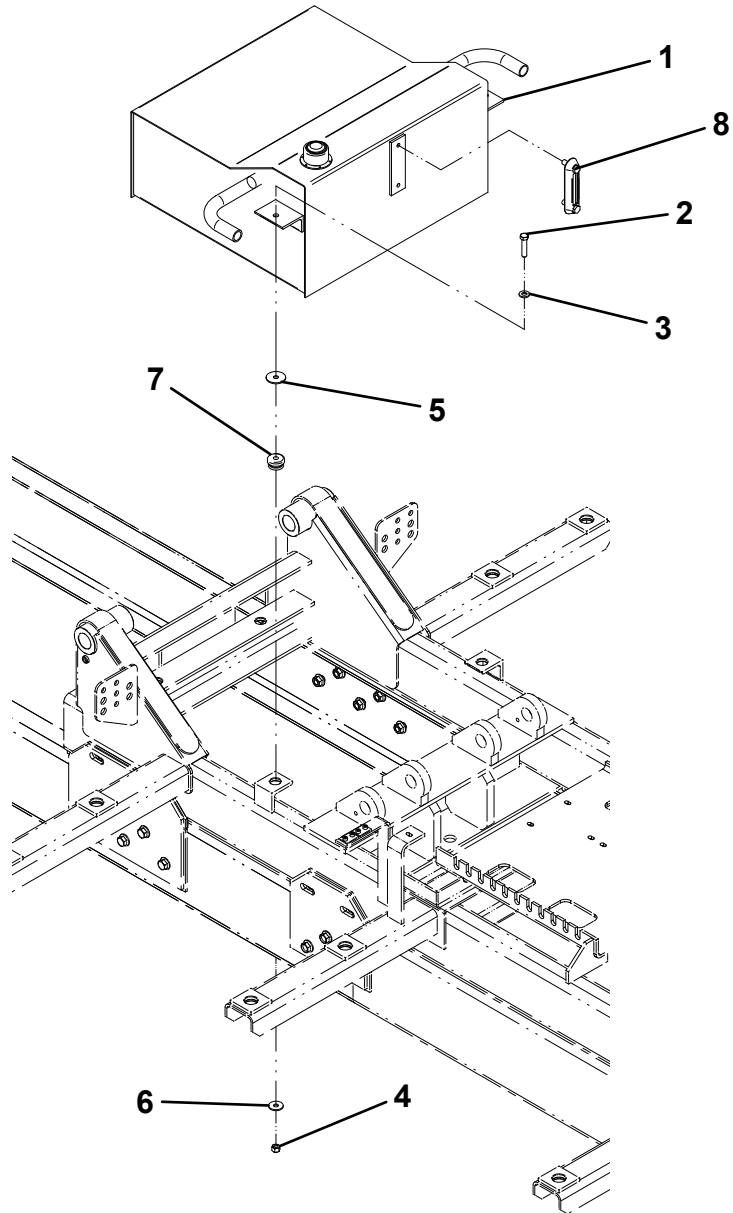
# SUBFRAME HYDRAULIC TUBING



**HYDRAULIC TANK INSTALLATION**

ITEM	PART NO.	DESCRIPTION	QTY
1	3750000027	Hydraulic Tank Assembly	1
2	7115181850	Capscrew, 0.50"-13NC x 2.25"	4
3	7950180141	Flatwasher, 0.50" ID	4
4	7660182601	Locknut, 0.50"-13NC	4
5	7949000015	Washer, Head	4
6	7949000016	Washer, Tail	4
7	7636000006	Rubber Mount	4
8	7470000003	Sight Gauge	1

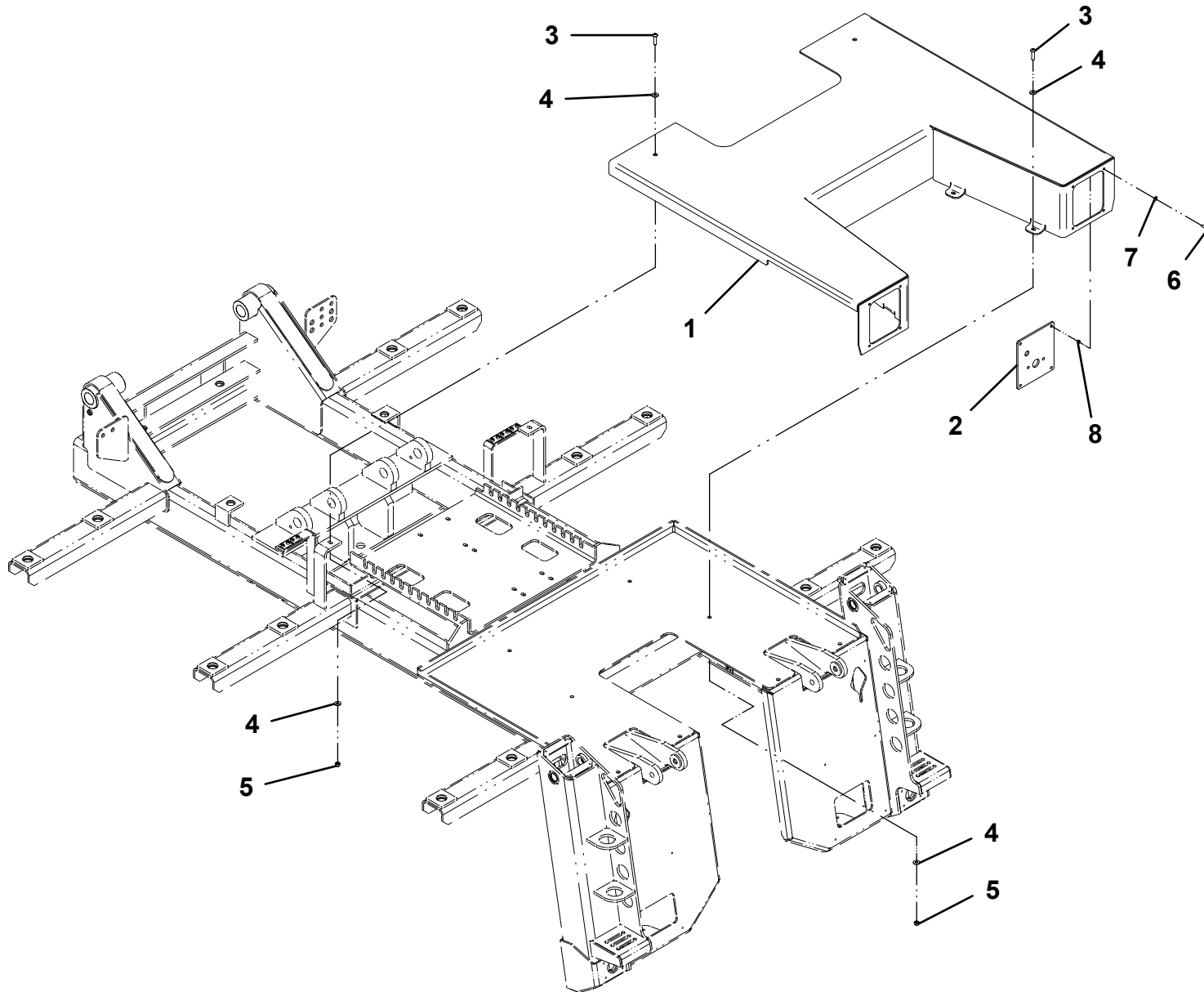
# HYDRAULIC TANK INSTALLATION



**VALVE BANK COVER INSTALLATION**

ITEM	PART NO.	DESCRIPTION	QTY
1	1001140390	Valve Bank Cover	1
2	1001140385	Plate, Auxiliary Air	1
3	7114161218	Capscrew, 0.38"-16NC x 1.50"	6
4	7950160153	Flatwasher, 0.38" ID	12
5	7660162601	Locknut, 0.38"-16NC	6
6	7114140818	Capscrew, 0.25"-20NC x 1.00"	4
7	7950140143	Flatwasher, 0.25" ID	4
8	7413000002	Nutsert, 0.25"-20NC	4

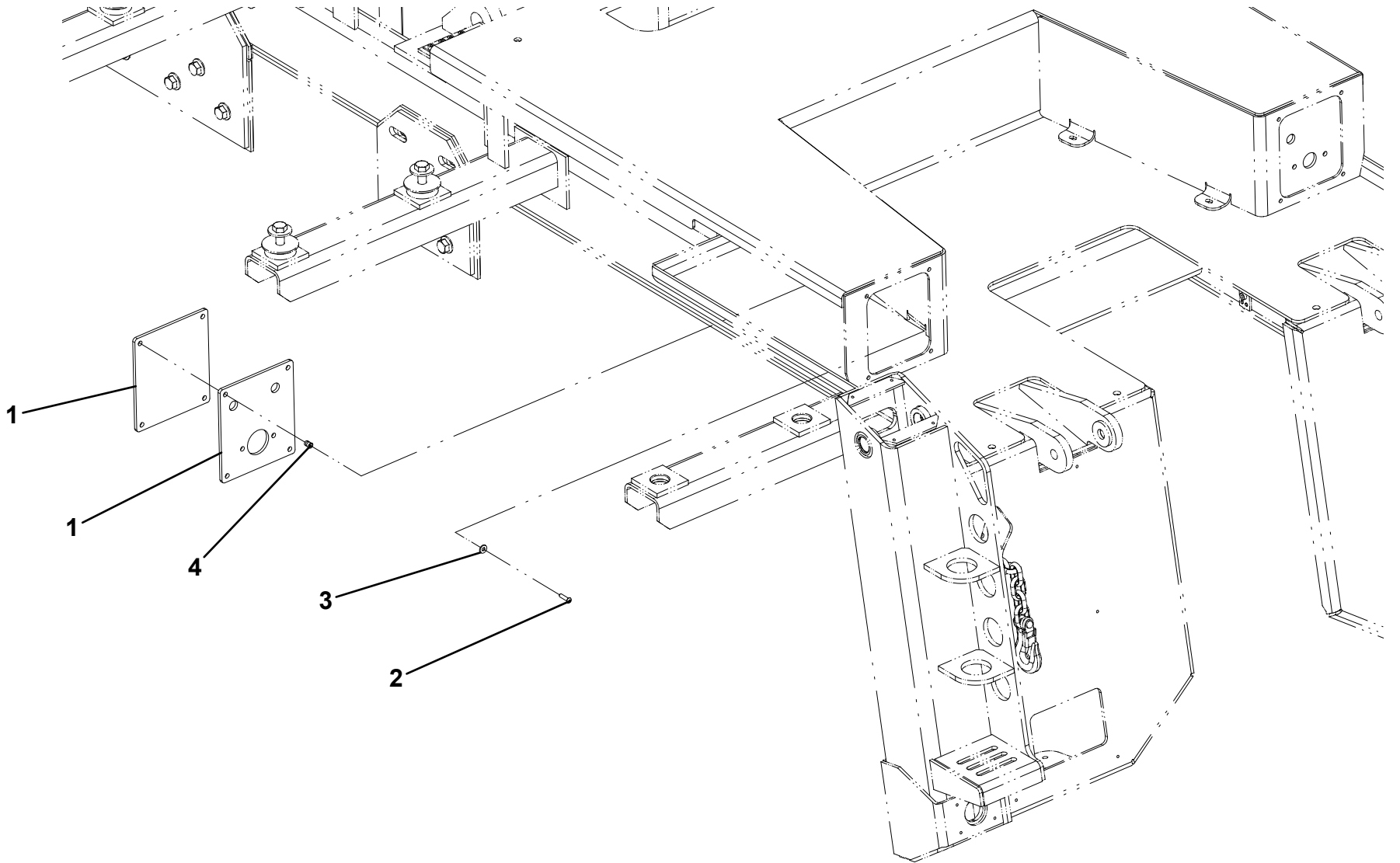
# VALVE BANK COVER INSTALLATION



**AUXILIARY AIR COVER INSTALLATION**

ITEM	PART NO.	DESCRIPTION	QTY
1	1001140471	Plate, 7way & Service Air	1
	1001140481	Plate, No Trailer Package	1
2	7114140818	Capscrew, 0.25"-20NC x 1.00"	4
3	7950140143	Flatwasher, 0.25" ID	4
4	7413000002	Nutsert, 0.25"-20NC	4

# AUXILIARY AIR COVER INSTALLATION

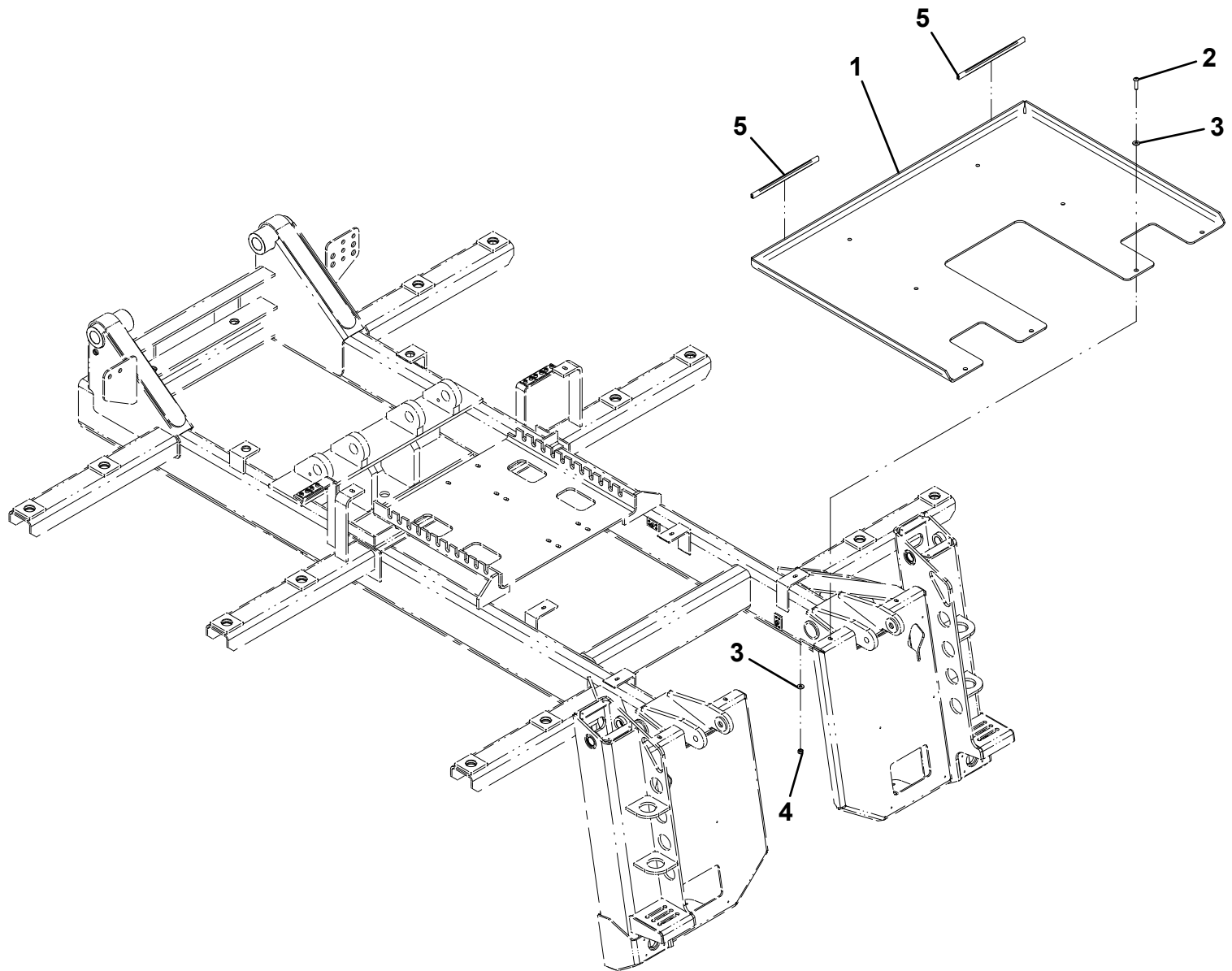


**REAR DECK ASSEMBLY**

ITEM	PART NO.	DESCRIPTION	QTY
1	1001140440	Plate	1
2	7114161218	Capscrew, 0.38"-16NC X 1.50	4
3	7950160153	Flatwasher, 0.38" ID	8
4	7660162601	Locknut, 0.38"-16NC	4
5	8632000002	Trim	2ft



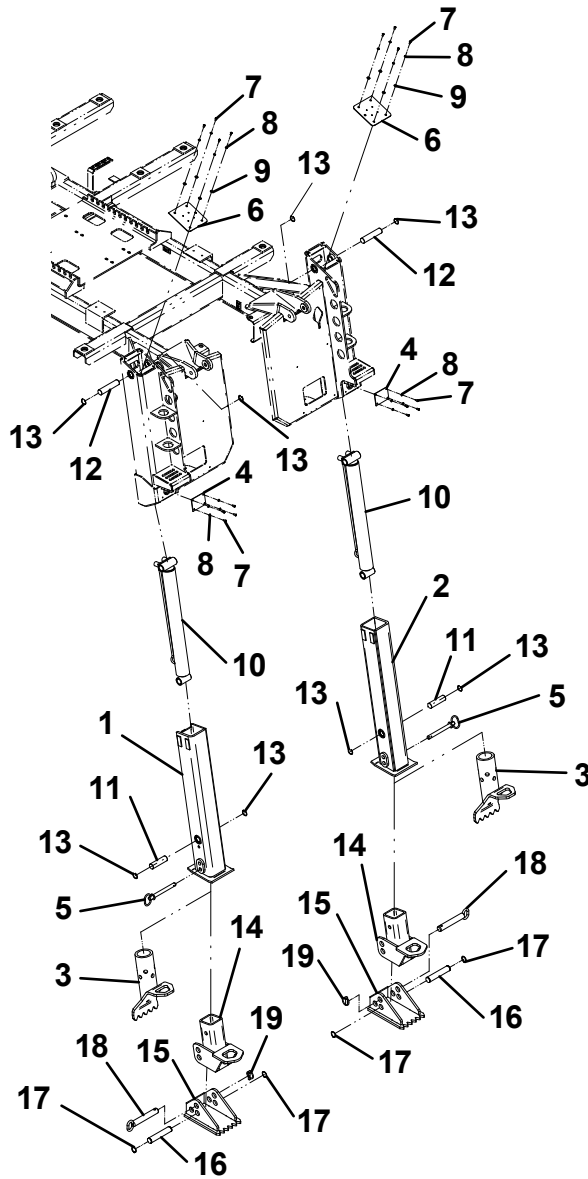
# REAR DECK ASSEMBLY



**REAR SPADE ASSEMBLY**

ITEM	PART NO.	DESCRIPTION	QTY
1	3913000071	Channel Spade LH	1
2	3913000072	Channel Spade RH	1
3	3706000142	Spade Claw	2
4	4706002992	Plate	2
5	7691000031	Pin	2
6	4706002887	Plate	6
7	7114140518	Capscrew, 0.25"-20NC x 0.62"	16
8	7950140000	Lockwasher, 0.25" ID	16
9	7950140141	Flatwasher, 0.25" ID	8
10	3320000083	Spade Cylinder Assembly	2
11	4691000345	Pin	2
12	4691000346	Pin	2
13	7754000062	Retaining Ring	8
14	3178000563	Spade Foot Pivot	2
15	3178000564	Spade Foot	2
16	4691000608	Pin	2
17	7754000006	Retaining Ring	4
18	3691000281	Pin	2
19	7691000019	Pin	2

# REAR SPADE ASSEMBLY



**SPADE CYLINDER ASSEMBLY - 3320000083**

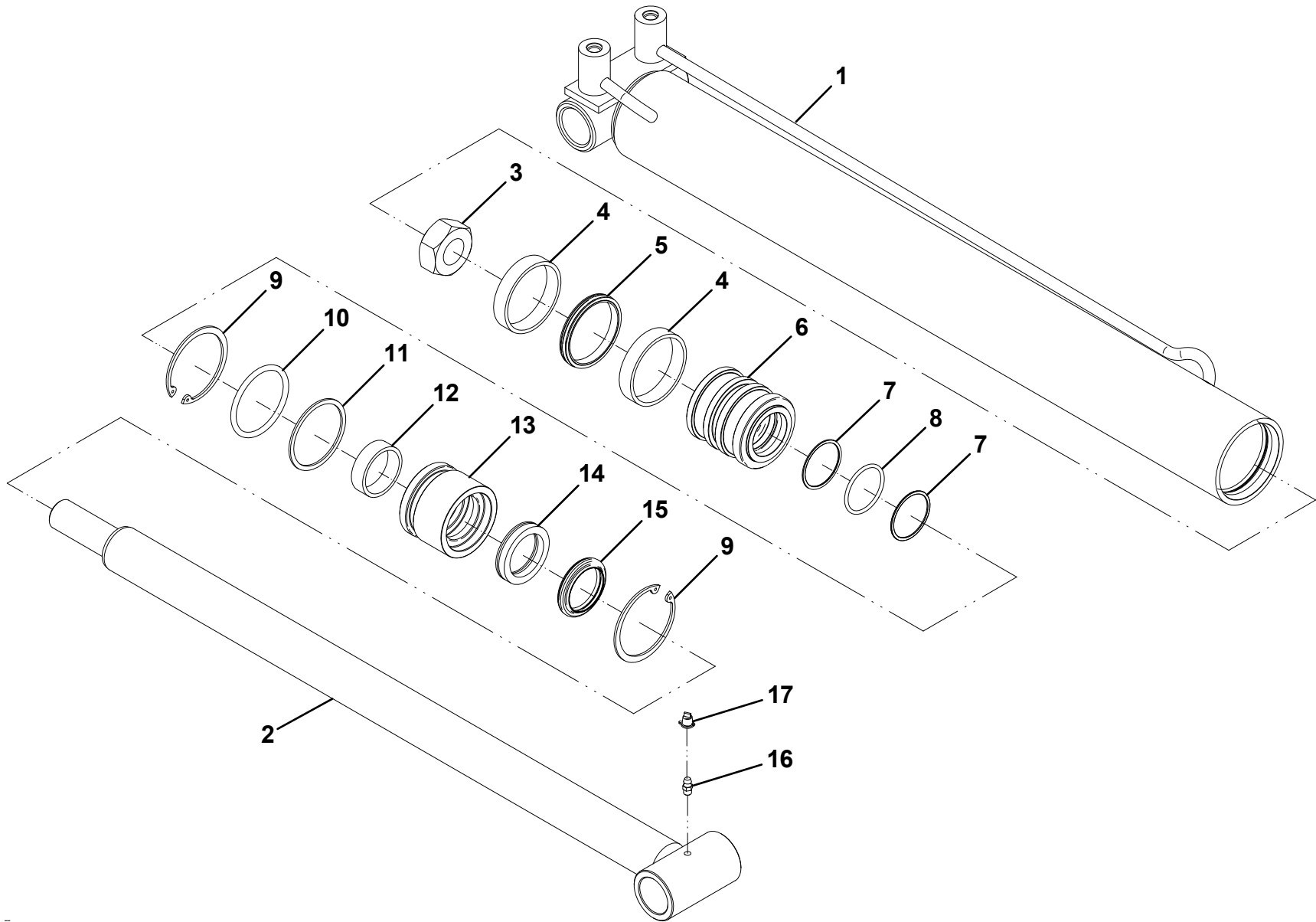
ITEM	PART NO.	DESCRIPTION	QTY
1	3071000077	Barrel Weldment	1
2	3763000096	Rod Weldment	1
3	7661000034	Locknut, 1.00"-14NF	1
4	7796000053*	Ring, Wear	2
5	7796000067*	Seal, Piston	1
6	4698000015	Piston	1
7	7755222609*	Ring, Back-up	2
8	7755222000*	Seal, "O" Ring	1
9	7754000071	Retaining Ring	2
10	7755330000^	Seal, "O" Ring	1
11	7755330609^	Ring, Back-up	1
12	7754000054^	Ring, Wear	1
13	4553000016	Head	1
14	7796000045^	Seal, Rod	1
15	7796000046^	Seal, Rod Wiper	1
16	7440030000	Grease Fitting	1
17	7253000002	Cap, Grease Fitting	1

\* Included in Piston Assembly, P/N 3698000006

^ Included in Head Assembly, P/N 3553000016

Service Seal Kit, P/N 7577250206

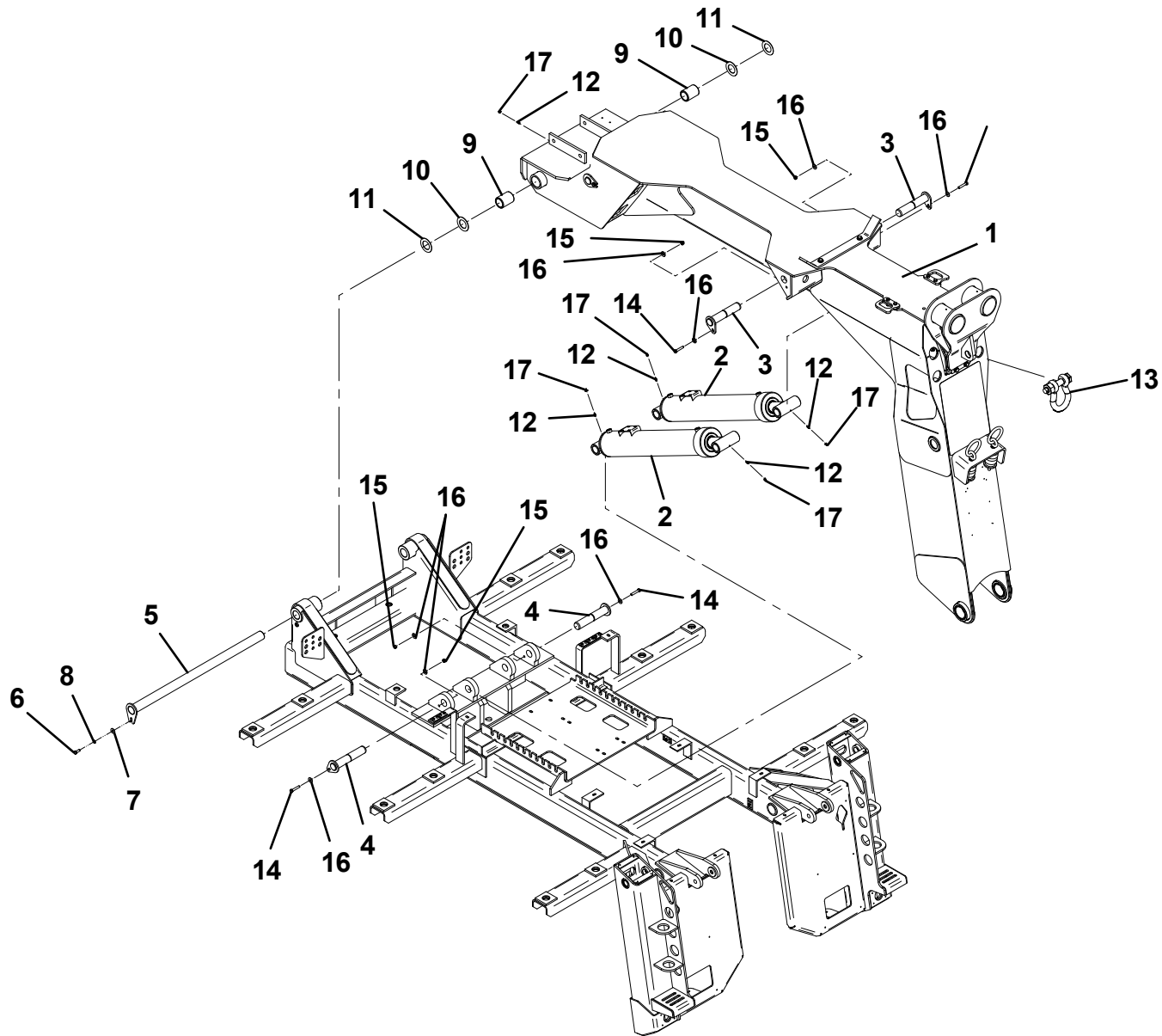
# SPADE CYLINDER ASSEMBLY - 3320000083



**BOOM INSTALLATION**

ITEM	PART NO.	DESCRIPTION	QTY
1	3170000319	Boom Assembly	1
2	3320000085	Lift Cylinder Assembly	2
3	3691000174	Pin	2
4	3691000176	Pin	2
5	3691000175	Pin	1
6	7115160850	Capscrew, 0.38"-16NC x 1.00"	1
7	7950160161	Flatwasher, 0.38" ID	1
8	7950160000	Lockwasher, 0.38" ID	1
9	7209000039	Bushing	2
10	4949000053	Washer, 3.00" OD x 1.81" ID x 0.06"	2
11	4949000054	Washer, 3.00" OD x 1.81" ID x 0.09"	2
12	7440030000	Grease Fitting	5
13	7804000003	Shackle	1
14	7115161650	Capscrew, 0.38"-16NC x 2.00"	4
15	7660161600	Locknut, 0.38"-16NC	4
16	7950160160	Flatwasher, 0.38" ID	8
17	7253000002	Grease Fitting Cap	5

# BOOM INSTALLATION



**BOOM LIFT CYLINDER ASSEMBLY - 3320000085**

ITEM	PART NO.	DESCRIPTION	QTY
1	3071000079	Barrel Weldment	1
2	3763000095	Rod Weldment	1
3	7661000035	Locknut, 1.50"-12NF	1
4	7754000065*	Ring, Wear	2
5	7796000061*	Seal, Piston	1
6	4698000017	Piston	1
7	7755226609*	Ring, Back-up	2
8	7755226000*	Seal, "O" Ring	1
9	7755346000^	Seal, "O" Ring	1
10	7755346609^	Ring, Back-up	1
11	7754000066^	Ring, Wear	1
12	4553000018	Head	1
13	7796000025^	Seal, Rod	1
14	7796000011^	Seal, Rod Wiper	1
15	4254000014	Cap	1

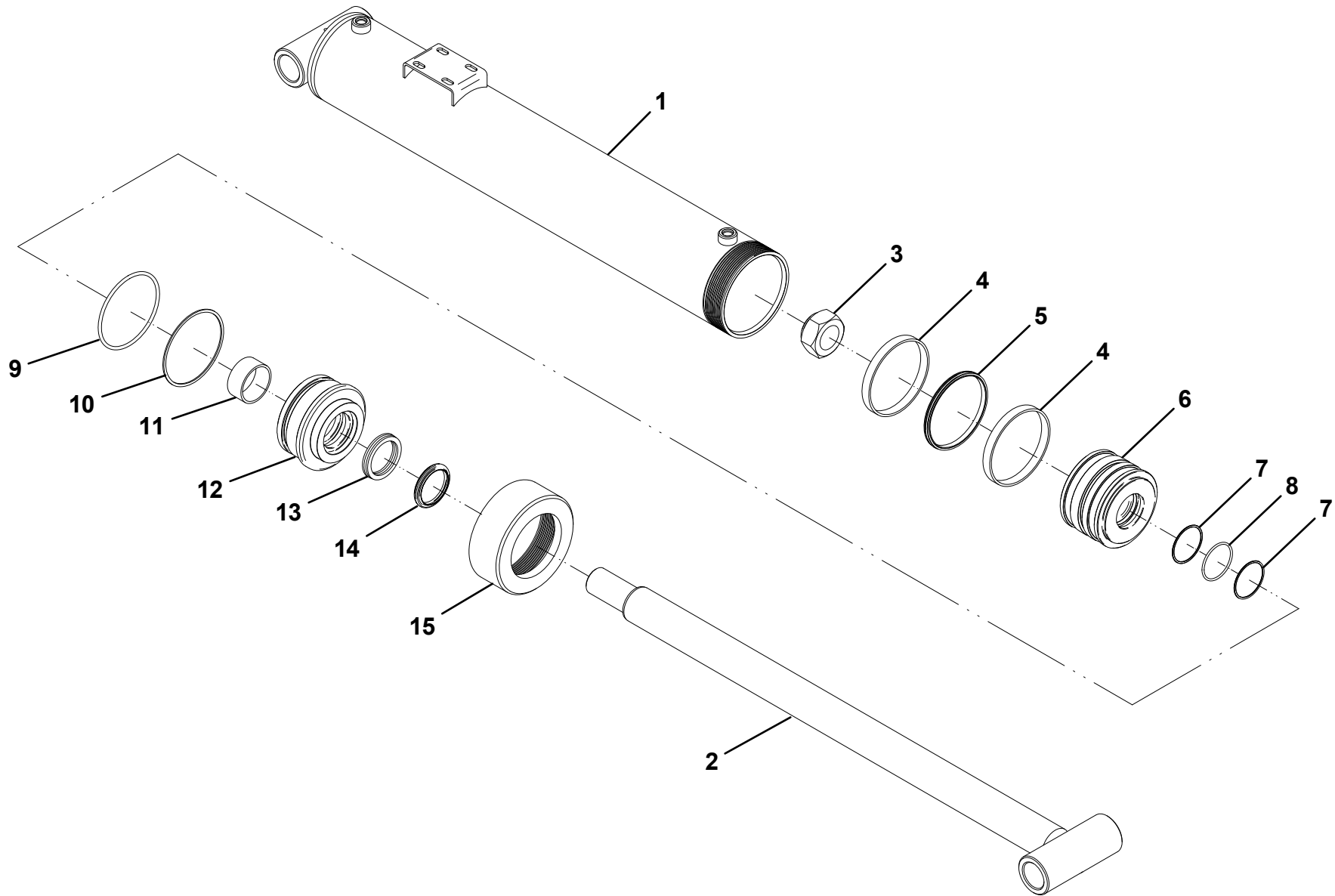
\* Included in Piston Assembly, P/N 3698000008

^ Included in Head Assembly, P/N 3553000018

Service Seal Kit, P/N 7577250236



# BOOM LIFT CYLINDER ASSEMBLY - 3320000085

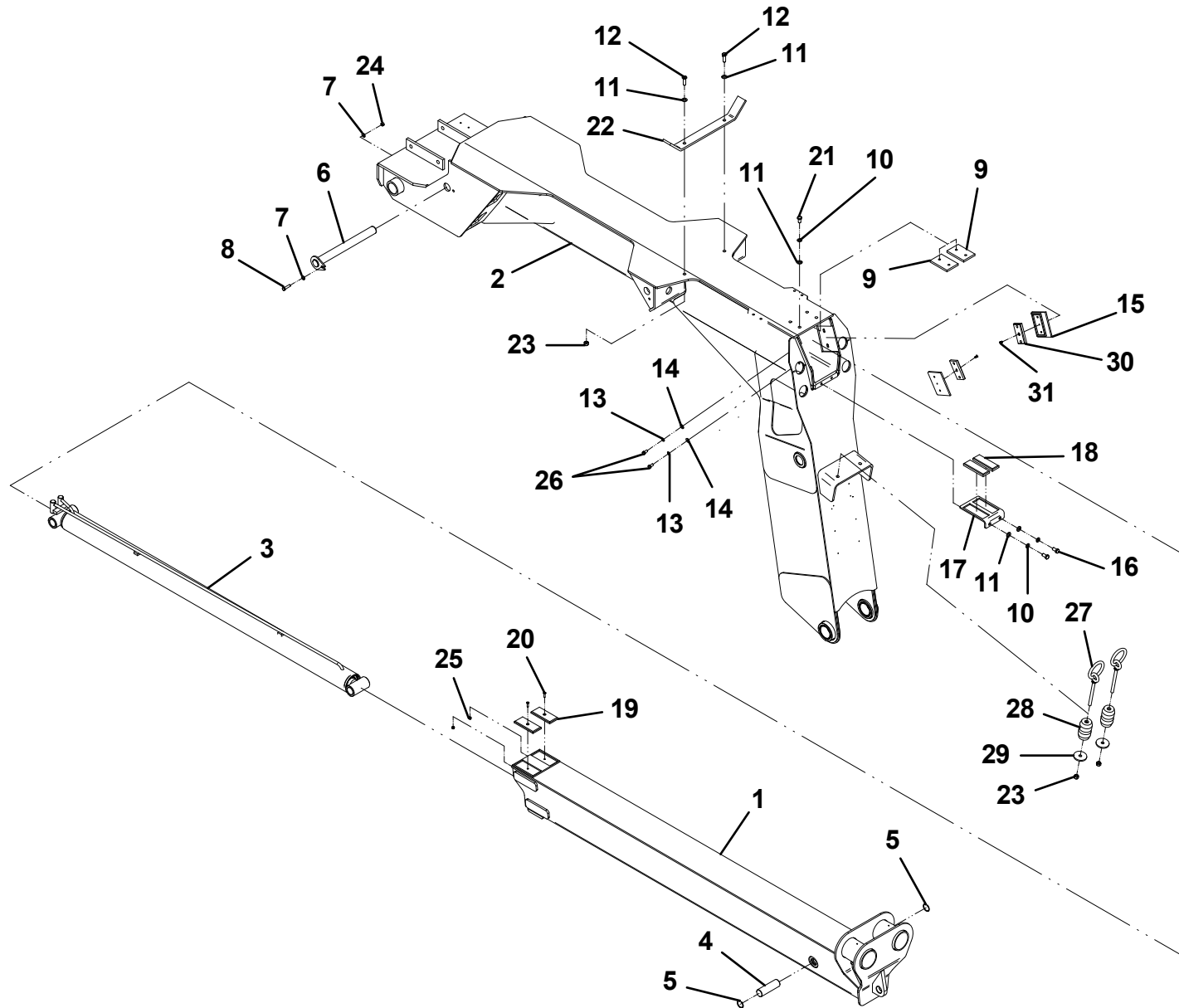


**WRECKER BOOM ASSEMBLY - 2 PIECE**

ITEM	PART NO.	DESCRIPTION	QTY
1	3170000192	Boom Weldment, Fly Section	1
2	3170000318	Boom Weldment, Base Section	1
3	3320000080	Extension Cylinder Assembly	1
4	4691000333	Pin	1
5	7754000043	Retaining Ring	2
6	3691000173	Pin	1
7	7950160251	Flatwasher, 0.38" ID	2
8	7115161250	Capscrew, 0.38"-16NC x 1.50"	1
9	4831000061	Spacer	2
10	7950180000	Lockwasher, 0.59" ID	6
11	7950180153	Flatwasher, 0.50" ID	8
12	7115181450	Capscrew, 0.50"-13NC x 1.50"	2
13	7950160000	Lockwasher, 0.38" ID	4
14	7950160153	Flatwasher, 0.38" ID	4
15	3679000012	Pad Assembly	2
16	7115180850	Capscrew, 0.50"-13NC x 1.00"	2
17	4706002828	Plate	1
18	4679000177	Pad	2
19	4679000176	Pad	2
20	7114140823	Capscrew, 0.25"-20NC x 1.00"	2
21	7115180750	Capscrew, 0.50"-13NC x 0.88"	4
22	1001139041	Bar	1
23	7660182601	Locknut, 0.50"-13NC	2
24	7660160000	Nut, 0.38"-16NC	1
25	7660142604	Locknut, 0.25"-20NC	2
26	7115160650	Capscrew, 0.38"-16NC x 0.75"	4
27	7120000025	Ring	2
28	7189000014	Spring	2
29	4706001799	Plate	2
30	4679000178*	Pad	2
31	7118140423*	Capscrew, 0.25"-20NC x 0.50"	2

\* Also Included In P/N - 3679000012

# WRECKER BOOM ASSEMBLY - 2 PIECE



**WRECKER BOOM EXTENSION CYLINDER ASSEMBLY - 3320000080**

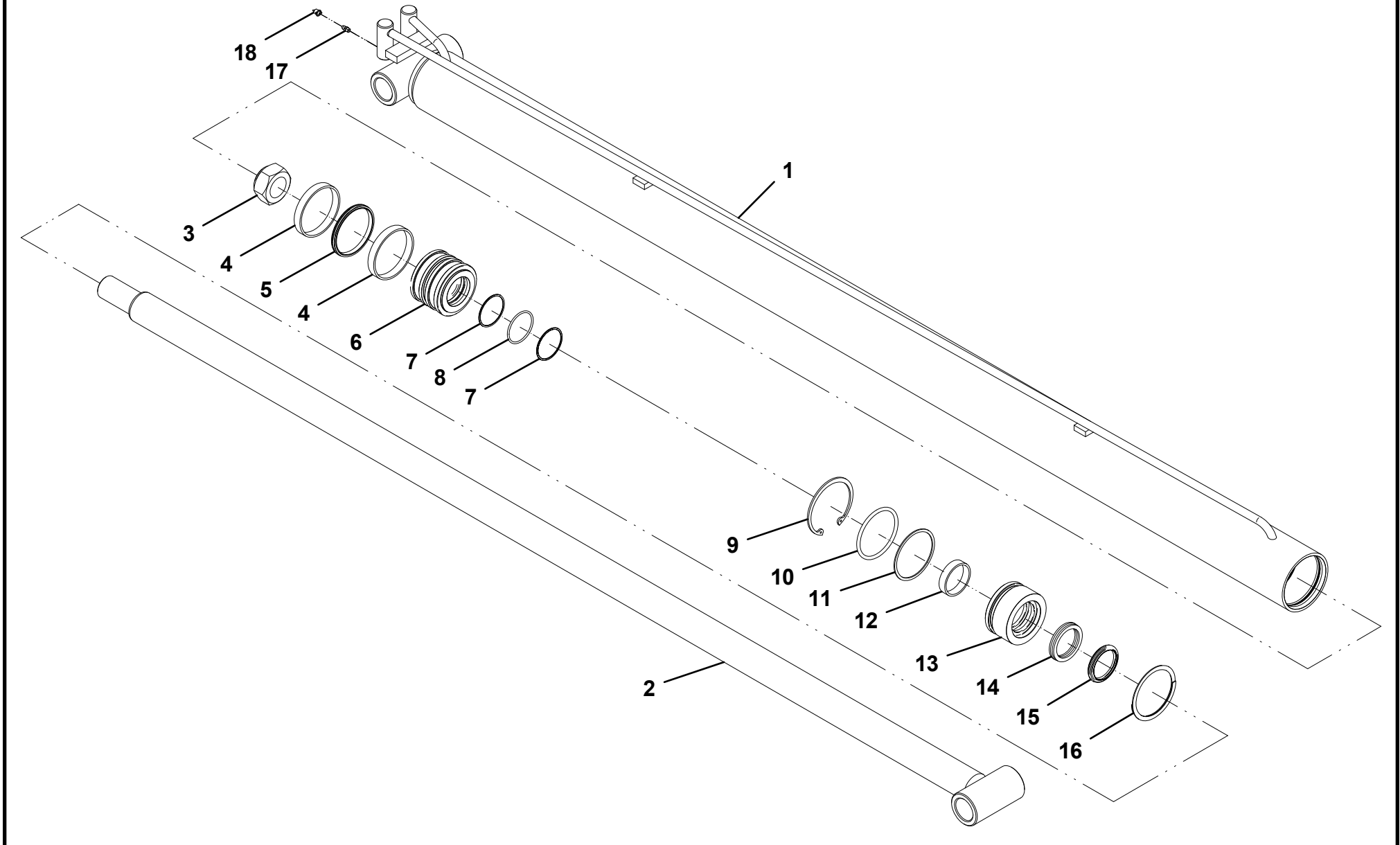
ITEM	PART NO.	DESCRIPTION	QTY
1	3071000074	Barrel Weldment	1
2	3763000094	Rod Weldment	1
3	7661000035	Locknut, 1.50"-12NF	1
4	7796000013*	Ring, Wear	2
5	7796000064*	Seal, Piston	1
6	4698000009	Piston	1
7	7755226609*	Ring, Back-up	2
8	7755226000*	Seal, "O" Ring	1
9	7754000016	Retaining Ring	1
10	7755338000^	Seal, "O" Ring	1
11	7755338609^	Ring, Back-up	1
12	7754000012^	Ring, Wear	1
13	4553000010	Head	1
14	7796000025^	Seal, Rod	1
15	7796000011^	Seal, Rod Wiper	1
16	7754000027	Retaining Ring	1
17	7440030000	Grease Fitting	1
18	7253000002	Cap, Grease Fitting	1

\* Included in Piston Assembly, P/N 3698000004

^ Included in Head Assembly, P/N 3553000014

Service Seal Kit, P/N 7577250025

# WRECKER BOOM EXTENSION CYLINDER ASSEMBLY - 330000080

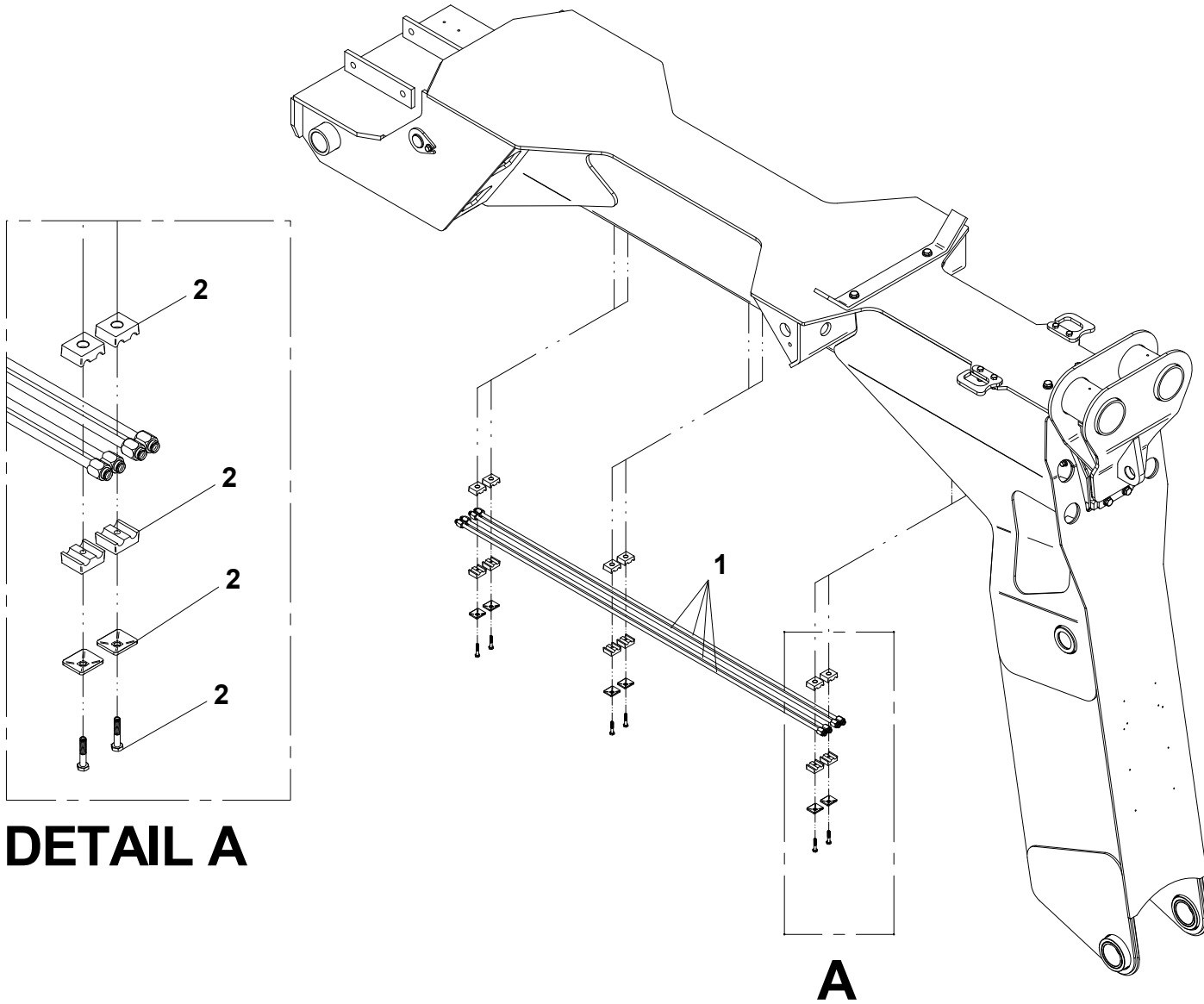


**BOOM TUBE ASSEMBLY**

ITEM	PART NO.	DESCRIPTION	QTY
1	7912000173*	Tube Assembly	4
2	1001131306	Clamp	6

\* Available in Hydraulic Tubing Kit - 7577000681

# BOOM TUBE ASSEMBLY



**DETAIL A**

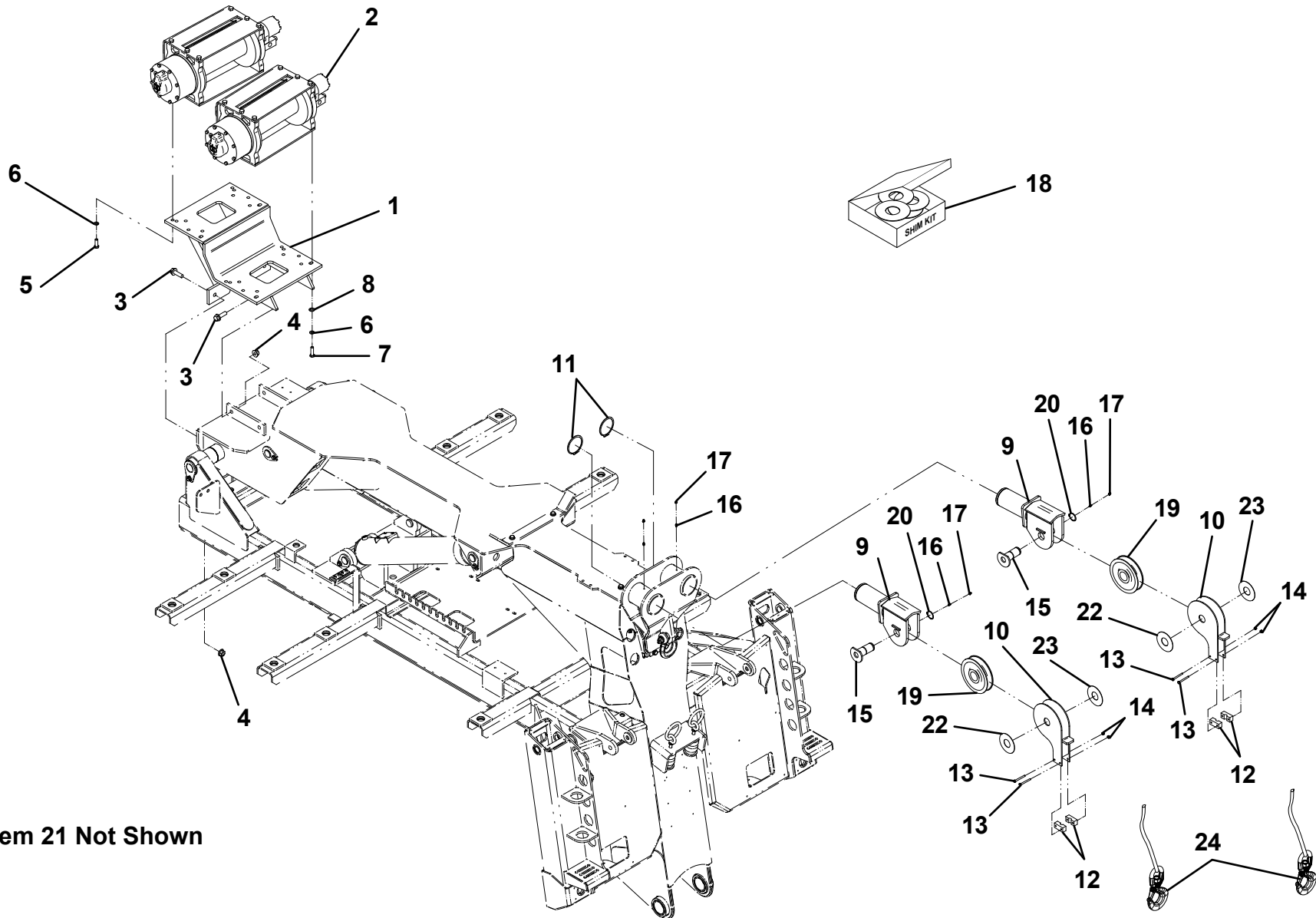
**WINCH INSTALLATION - 16K DP PLANETARY WINCH**

ITEM	PART NO.	DESCRIPTION	QTY
1	3073000013	Bracket, Winch Mount	1
2	1001147414	Winch	2
3	7118201616	Capscrew, 0.63"-11NC x 2.00"	6
4	7661000018	Nut, 0.63"-11NC	6
5	7118181250	Capscrew, 0.50"-13NC x 1.50"	8
6	7950180000	Lockwasher, 0.59" ID	12
7	7118181450	Capscrew, 0.50"-13NC x 1.75	4
8	7950180252	Flatwasher, 0.50" ID	4
9	3249000013	Sheave Support Weldment	2
10	3249000014	Weldment Cable Guide	2
11	7754000049	Retaining Ring	2
12	4249000003	Cable Guide	4
13	7115142050	Capscrew, 0.25"-20NC x 2.50"	4
14	7660142601	Locknut, 0.25"-20NC	4
15	3691000181	Pin	2
16	7440030000	Grease Fitting	4
17	7253000002	Cap, Grease Fitting	4
18	3577000052	Kit, Shim	1
19	7809000020	Sheave	2
20	7754000033	Retaining Ring	2
21	1001151407	Valve, Port Relief	2
22	4949000055*	Washer, 4.00" x 1.62" x 0.06"	4
23	4949000056*	Washer, 4.00" x 1.62" x 0.09"	4
24	7248000058	Cable, 0.50" x 150'	2
	7248000145	Cable, 0.50" x 150' W/ Swivel Hook	2

\*Also Sold in Shim Kit - 3577000052



# WINCH INSTALLATION - 16K DP PLANETARY WINCH



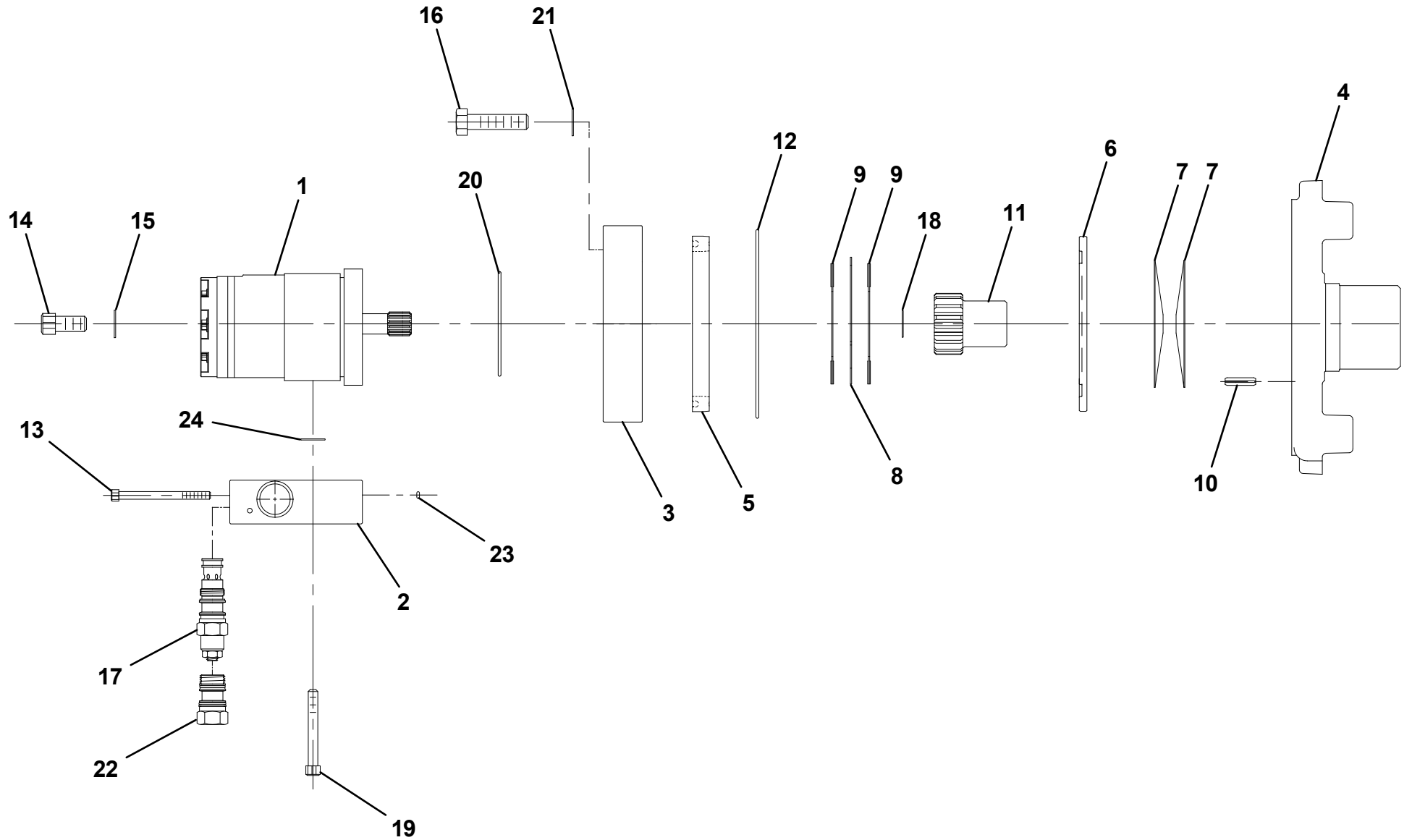
Item 21 Not Shown

**WINCH - 16K DP - 1001147414 - MOTOR END INSTALLATION**

ITEM	PART NO.	DESCRIPTION	QTY
1	70050113	Motor, Hydraulic	1
2	70050114	Valve, Counterbalance	1
3	70050116	Housing, Brake	1
4	70050117	Support, Motor End	1
5	70050118	Seal, U Cup	1
6	70050119	Plate - Thrust - Brake	1
7	70050120	Spring - Belleville	2
8	70050121	Plate - Stationary - Brake	1
9	70050122	Plate - Friction - Brake	2
10	70050123	Pin, Spiral	2
11	70050124	Shaft - Brake	1
12	70050125	Shaft, O-Ring	1
13	70050126	Capscrew - SH - 0.25"-20NC x 4.50"	1
14	70050127	Capscrew - SH - 0.50"-13NC x 1.25"	2
15	7950180800	Lockwasher - Hi Collar - 0.50" ID	2
16	70050128	Capscrew - 0.50"-13NC x 2.00"	4
17	70050129	Cartridge	1
18	70050130	Retaining Ring	1
19	70050131	Capscrew - SH - 0.31"-18NC x 1.50"	4
20	9796960145	Seal, O-Ring	1
21	7950180000	Lockwasher, 0.50" ID	4
22	70050132	Plug	1
23	9796960146*	Seal, O-Ring	2
24	70050115*	Seal, O-Ring	1

\* Available Only In Kit - 70050133

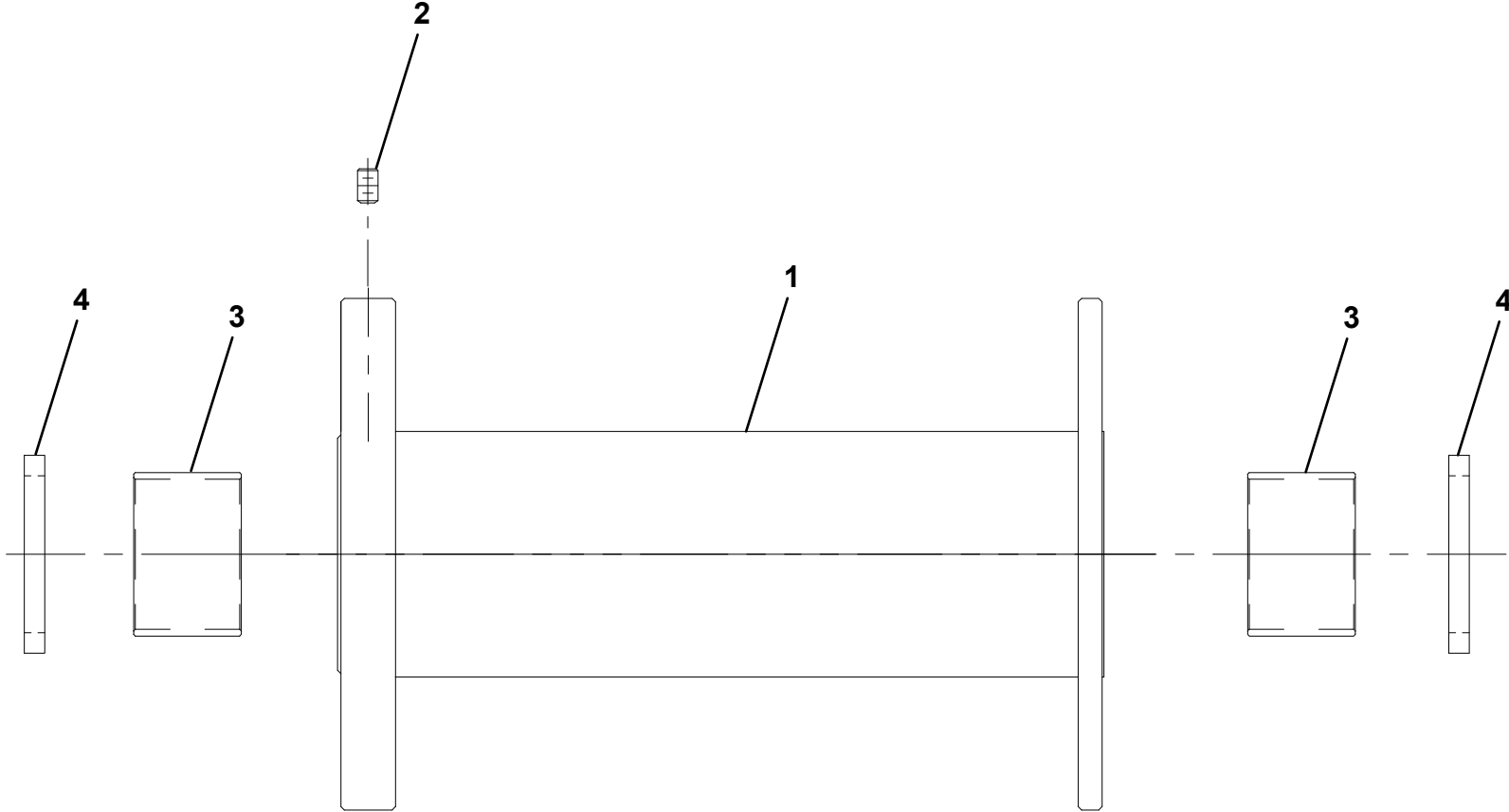
# WINCH - 16K DP - 1001147414 - MOTOR END INSTALLATION



**WINCH - 16K DP - 1001147414 - DRUM INSTALLATION**

ITEM	PART NO.	DESCRIPTION	QTY
1	70050134	Drum	1
2	70050135	Set Screw, SH, 0.38"-16NC x 1.25"	2
3	70050136	Bearing, Bronze	2
4	70050137	Seal	2

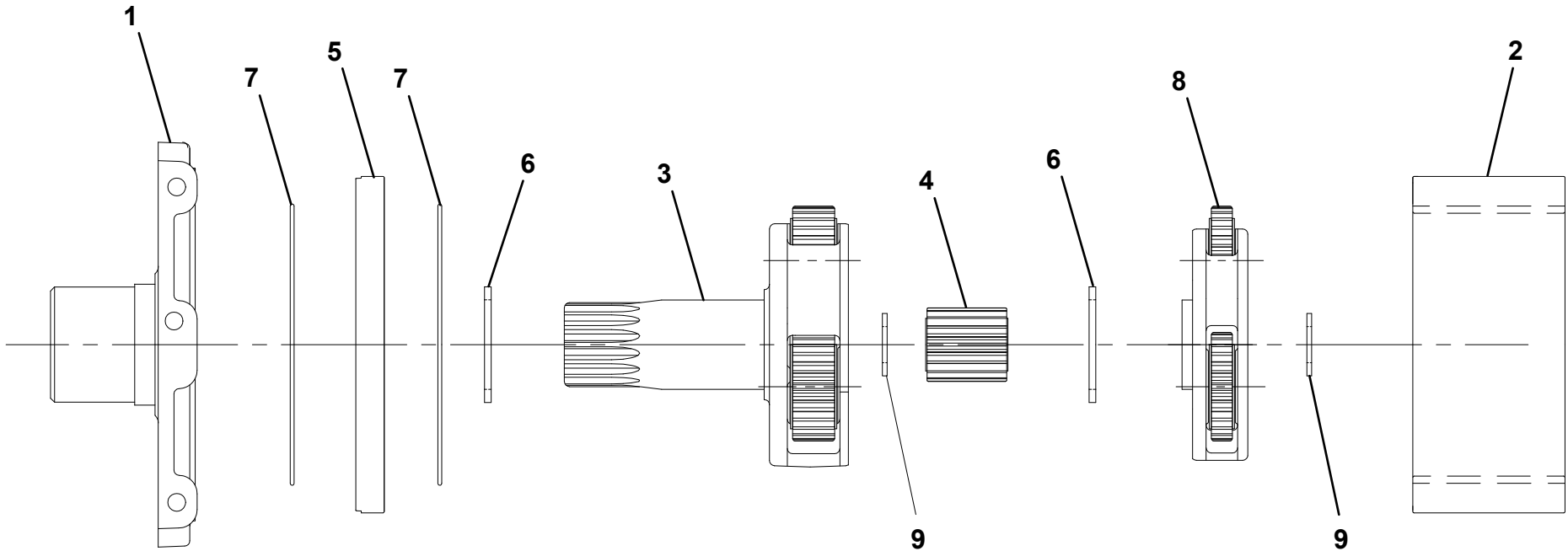
**WINCH - 16K DP - 1001147414 - DRUM INSTALLATION**



**WINCH - 16K DP - 1001147414 - GEAR END INSTALLATION**

ITEM	PART NO.	DESCRIPTION	QTY
1	70050138	Support - Gear - End	1
2	70050139	Gear - Ring	1
3	70050068	Cover, Gearbox	1
4	70050140	Gear - Sun- Secondary	1
5	9831960028	Spacer - Gear Ring	1
6	9949000056	Washer - Thrust - Nylon	2
7	9796960188	Seal, O-Ring	2
8	70050141	Carrier - Assembly - Primary	1
9	9949960057	Washer - Thrust	2

WINCH - 16K DP - 1001147414 - GEAR END INSTALLATION

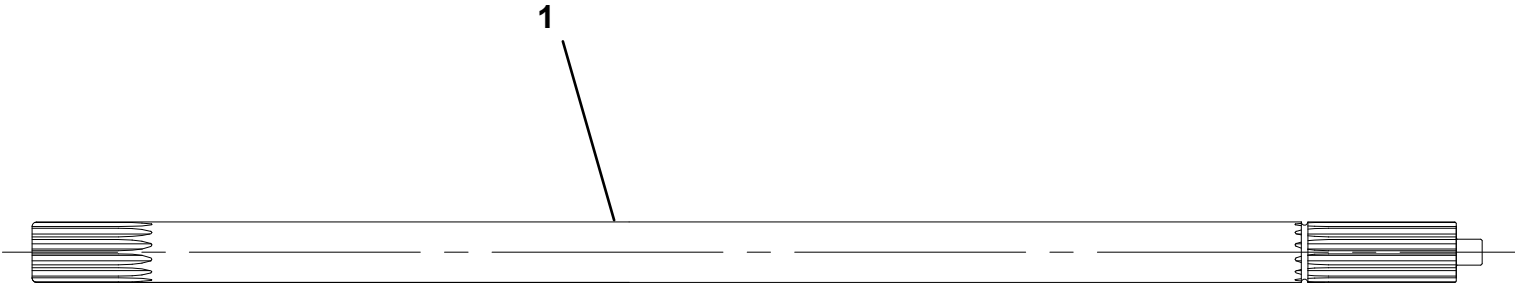


**WINCH - 16K DP - 1001147414 - INPUT SHAFT INSTALLATION**

ITEM	PART NO.	DESCRIPTION	QTY
1	70050142	Shaft	1



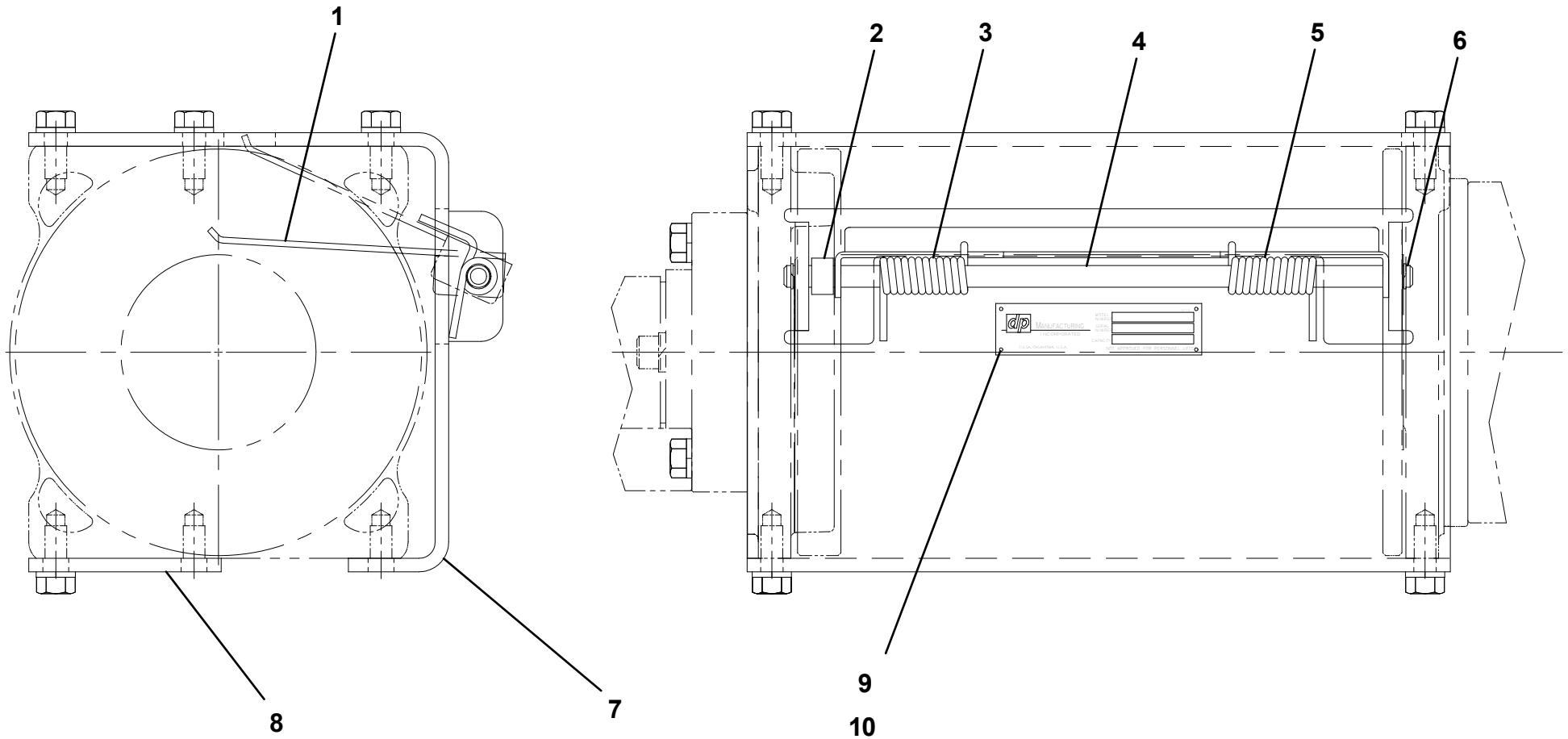
WINCH - 16K DP - 1001147414 - INPUT SHAFT INSTALLATION



**WINCH - 16K DP - 1001147414 - BASE MOUNT INSTALLATION**

ITEM	PART NO.	DESCRIPTION	QTY
1	70050004	Arm - Cable Holddown-15J-Underwound	1
2	70050143	Spacer-Arm-Cable Hold down	1
3	70050144	Spring-Torsion-LH	1
4	70050005	Shaft- Pivot-Cable Hold down	1
5	70050145	Spring-Torsion-RH	1
6	70050146	Retaining Ring	2
7	70050149	Base Mount	1
8	70050150	Spacer	1
9	70050147	Rivet - Drive - U Type - #2	4
10	70050148	Plate, ID	1

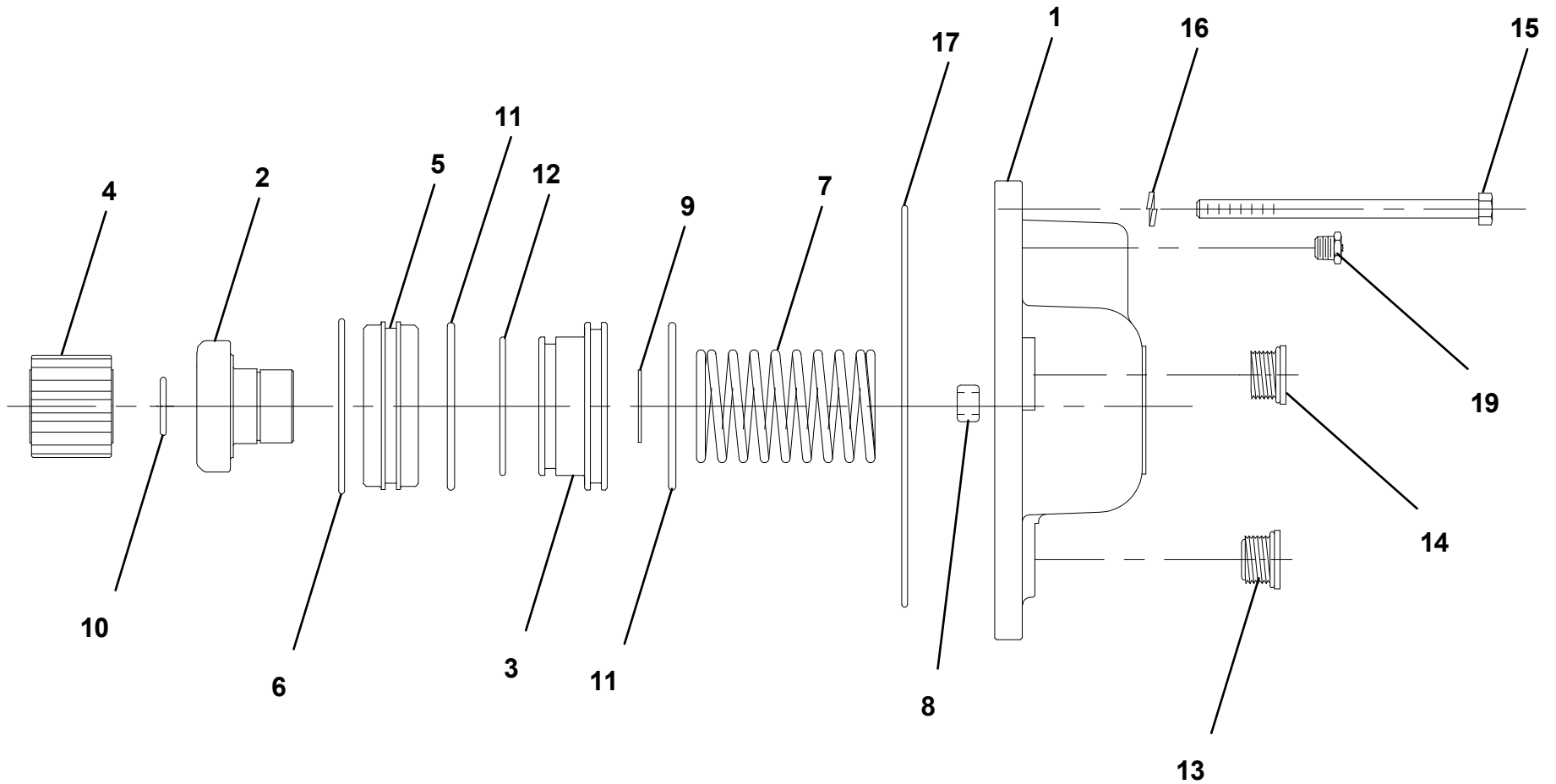
# WINCH - 16K DP - 1001147414 - BASE MOUNT INSTALLATION



**WINCH - 16K DP - 1001147414 - GEAR END COVER INSTALLATION**

ITEM	PART NO.	DESCRIPTION	QTY
1	70050151	Cover - Gear End	1
2	70050085	Coupling - Drive	1
3	70050086	Piston	1
4	70050152	Gear - Sun	1
5	9698960015	Cylinder - Piston	1
6	9754960026	Retaining Ring	1
7	9843960032	Spring, Compression	1
8	9209960026	Bushing, Bronze	1
9	9754960046	Retaining Ring	1
10	9754960047	Retaining Ring	1
11	9796960119	Seal, O-Ring	2
12	9796960118	Seal, O-Ring	1
13	9701960012	Plug, Magnetic	1
14	9701960011	Plug	1
15	70050153	Capscrew, 0.31"-18NC x 5.50"	8
16	9949960050	Lockwasher, 0.31" ID	8
17	9796960188	Seal, O-Ring	1
18	9701960018	Plug	1
19	9183960001	Vent	1

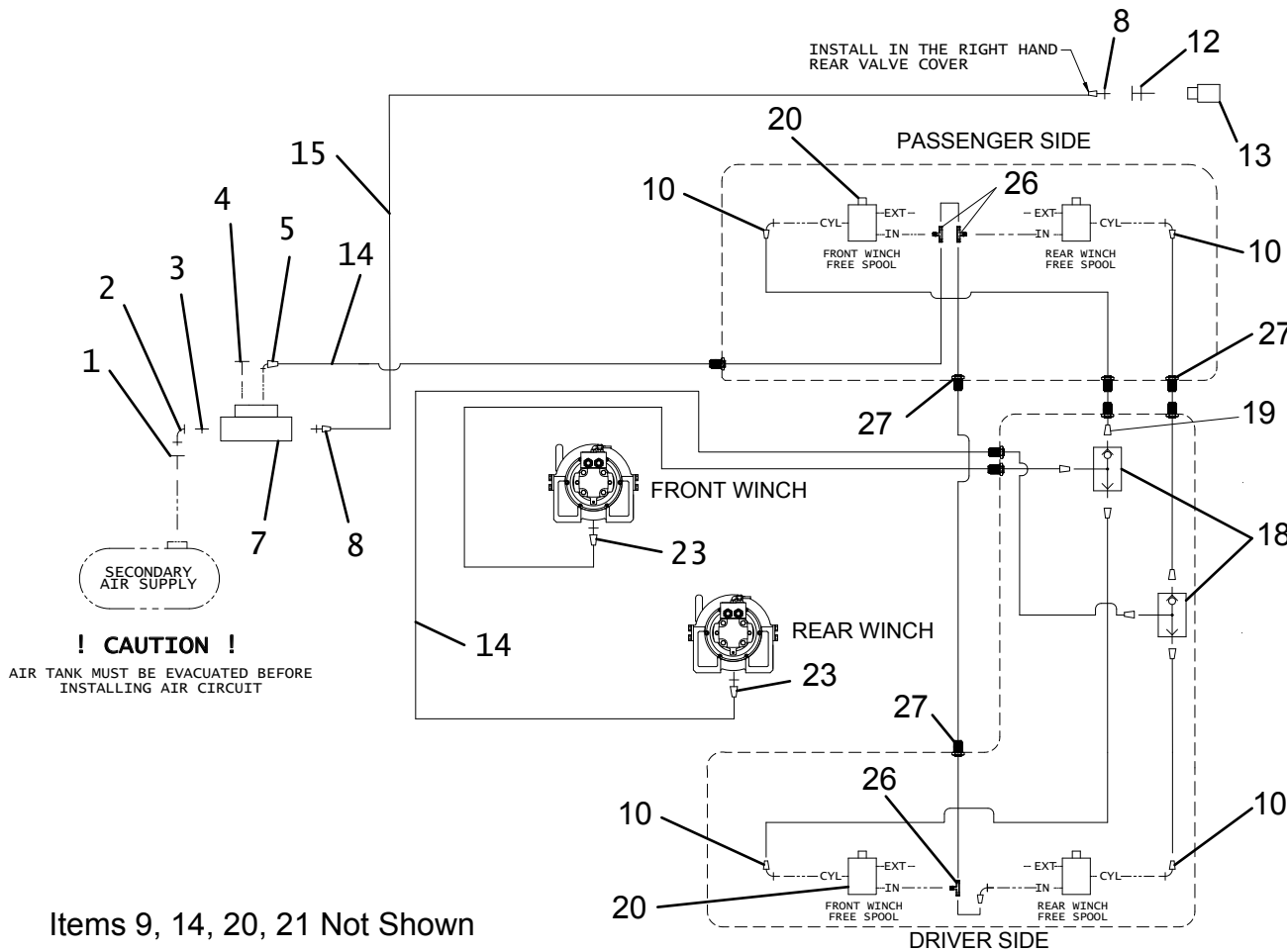
# WINCH - 16K DP - 1001147414 - GEAR END COVER INSTALLATION



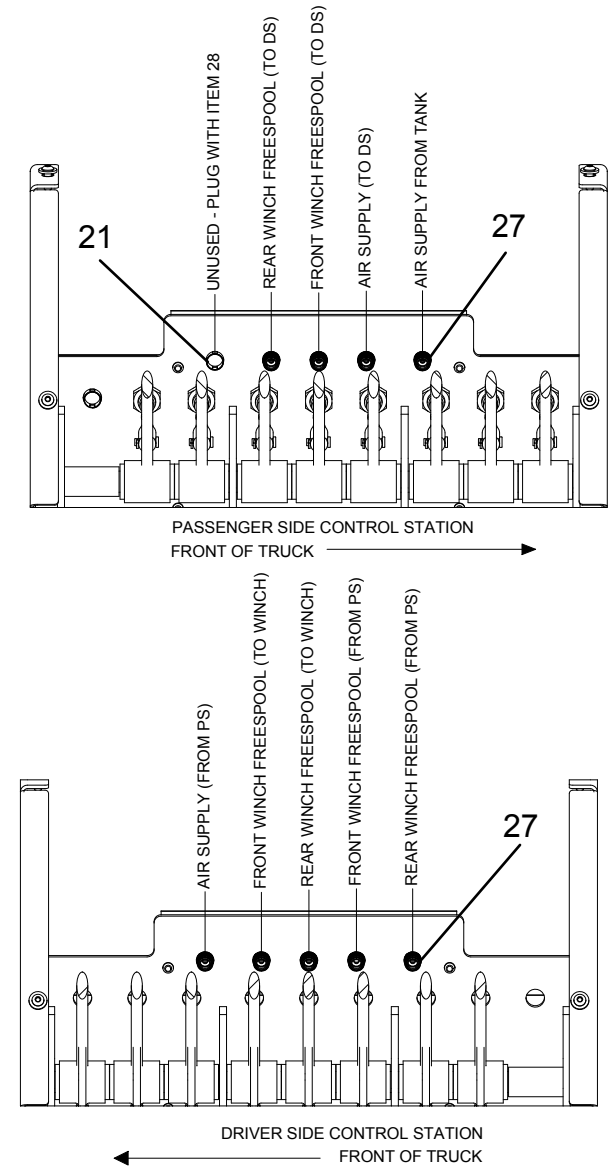
**WINCH AIR SHIFT**

ITEM	PART NO.	DESCRIPTION	QTY
1	7443000154	Bushing	1
2	7443000155	Elbow	1
3	7443000156	Nipple	1
4	7443000152	Plug	1
5	7443000139	Fitting	2
6	7935000120	Pressure Valve	1
7	7443000175	Fitting	2
8	7443000173	Fitting	5
9	7950140161	Flatwasher, 0.25" ID	2
10	7446502518	Fitting	1
11	7312000017	Coupling, Quick Disconnect	1
12	7565000016	Airline Tubing, 0.25" OD	100ft
13	7565000014	Airline Tubing, 0.38" OD	25ft
14	7894000031	Cable Tie, 15.00"	6
15	7935000229	Valve	2
16	7443000177	Fitting	6
17	7935000136	Valve	4
18	1001140357	Plug	1
19	7443000459	Fitting	2
20	7493000011	Grommet, 1.38" ID	1
21	7330000210	Decal	1
22	7443000174	Fitting	3
23	7443000178	Union	9

# WINCH AIR SHIFT



Items 9, 14, 20, 21 Not Shown

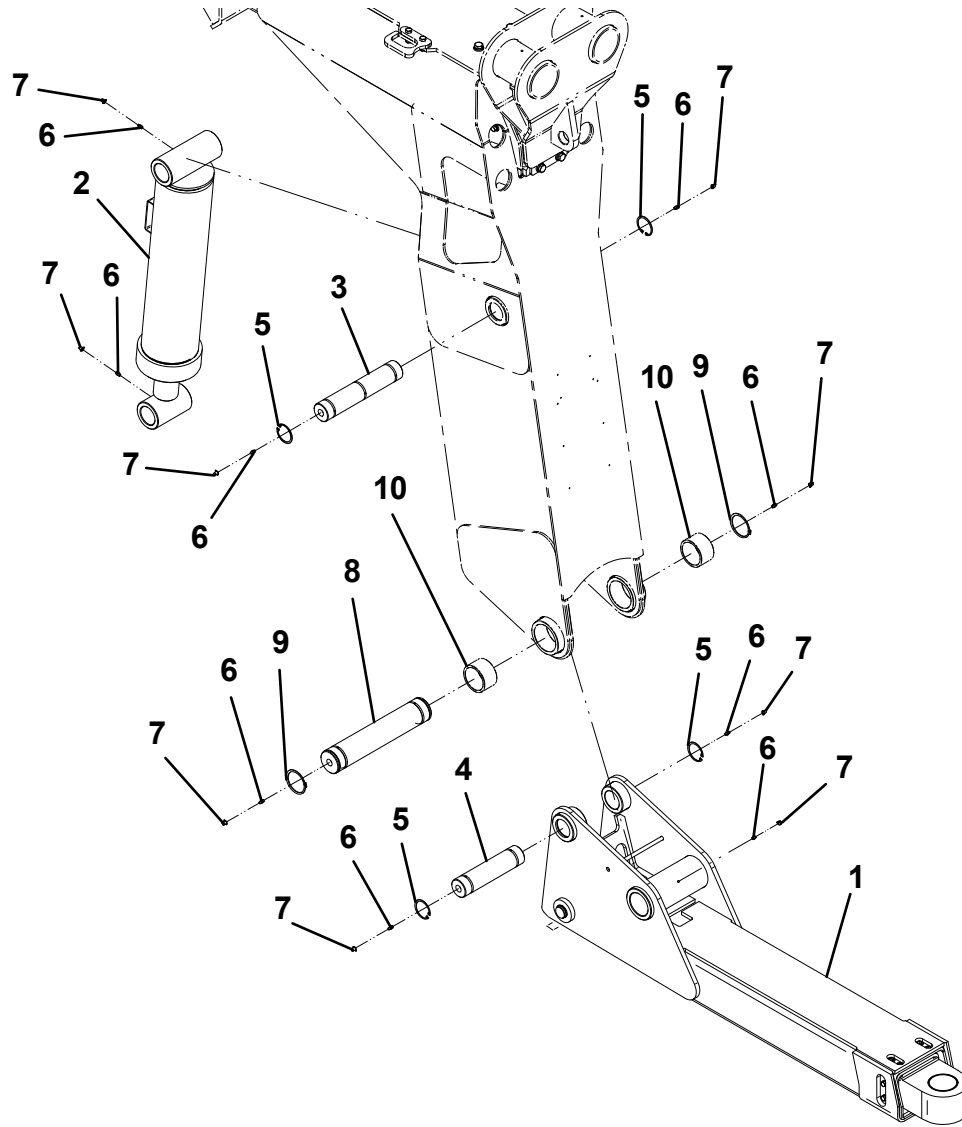


**UNDERLIFT INSTALLATION**

ITEM	PART NO.	DESCRIPTION	QTY
1	3170000294	Underlift Assembly	1
2	3320000139	Underlift Tilt Cylinder Assembly	1
3	4691000432	Pin	1
4	4691000433	Pin	1
5	7754000061	Retaining Ring	4
6	7440030000	Grease Fitting	9
7	7253000002	Grease Fitting Cap	9
8	4691000434	Pin	1
9	7754000005	Retaining Ring	2
10	7209000050	Bushing	2



# UNDERLIFT INSTALLATION



**UNDERLIFT TILT CYLINDER ASSEMBLY - 3320000139**

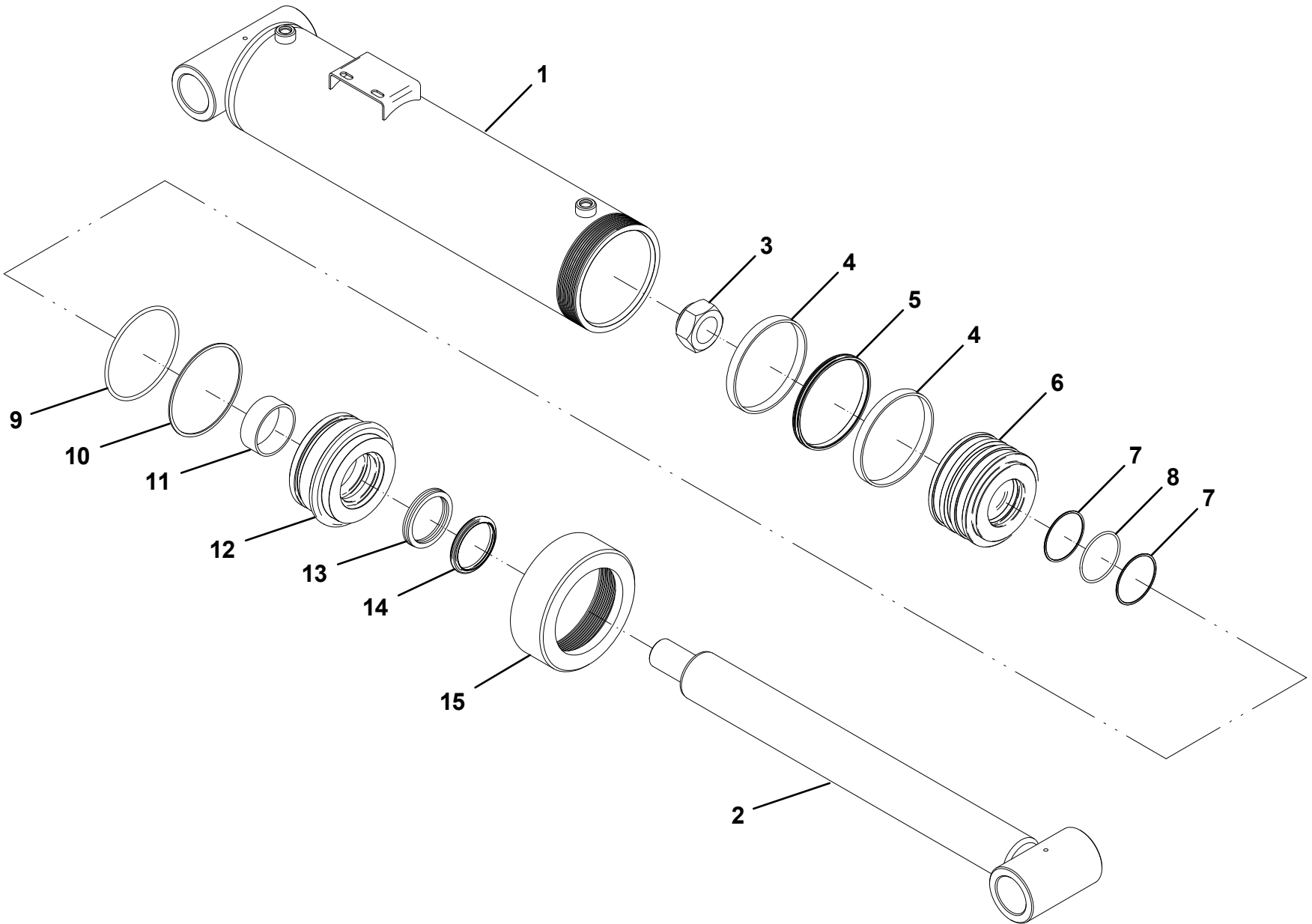
ITEM	PART NO.	DESCRIPTION	QTY
1	3071000112	Barrel Weldment	1
2	3763000124	Rod Weldment	1
3	7661000035	Locknut, 1.50"-12NF	1
4	7754000077*	Ring, Wear	2
5	7796000087*	Seal, Piston	1
6	4698000021	Piston	1
7	7755230609*	Ring, Back-up	2
8	7755230000*	Seal, "O" Ring	1
9	7755350000^	Seal, "O" Ring	1
10	7755350609^	Ring, Back-up	1
11	7754000063^	Ring, Wear	1
12	4553000020	Head	1
13	7796000058^	Seal, Rod	1
14	7796000059^	Seal, Rod Wiper	1
15	4254000016	Cap	1

\* Included in Piston Assembly, P/N 3698000013

^ Included in Head Assembly, P/N 3553000021

Service Seal Kit, P/N 7577000327

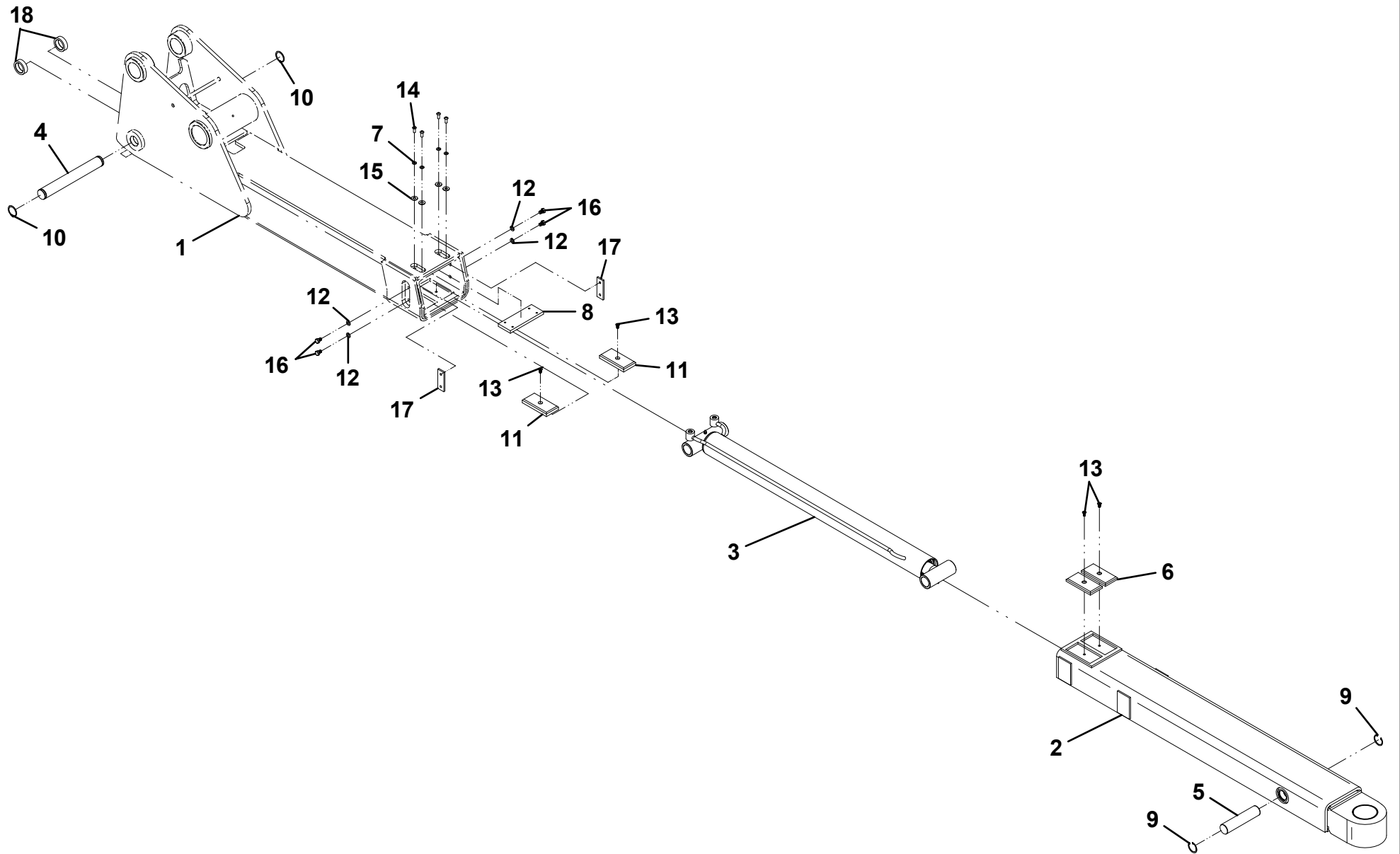
# UNDERLIFT TILT CYLINDER ASSEMBLY - 3320000139



**UNDERLIFT ASSEMBLY - 3170000294**

ITEM	PART NO.	DESCRIPTION	QTY
1	3170000289	Base Section Boom Weldment	1
2	3170000187	Fly Section Boom Weldment	1
3	3320000072	Underlift Extension Cylinder Assembly	1
4	4691000329	Pin	1
5	4691000330	Pin	1
6	4679000175	Pad	2
7	7950140000	Lockwasher, 0.25" ID	4
8	4679000173	Pad	1
9	7754000062	Retaining Ring	2
10	7754000006	Retaining Ring	2
11	4679000174	Pad	2
12	7950150000	Flatwasher, 0.31" ID	4
13	7118140423	Capscrew, 0.25"-20NC x 0.50"	4
14	7118140527	Capscrew, 0.25"-20NC x 0.63"	4
15	7950140161	Flatwasher, 0.25" ID	4
16	7105150450	Capscrew, 0.31"-24NF x 0.50"	4
17	4831000071	Spacer	2
18	4209000019	Bushing	2

# UNDERLIFT ASSEMBLY - 3170000294



**UNDERLIFT EXTENSION CYLINDER ASSEMBLY - 332000072**

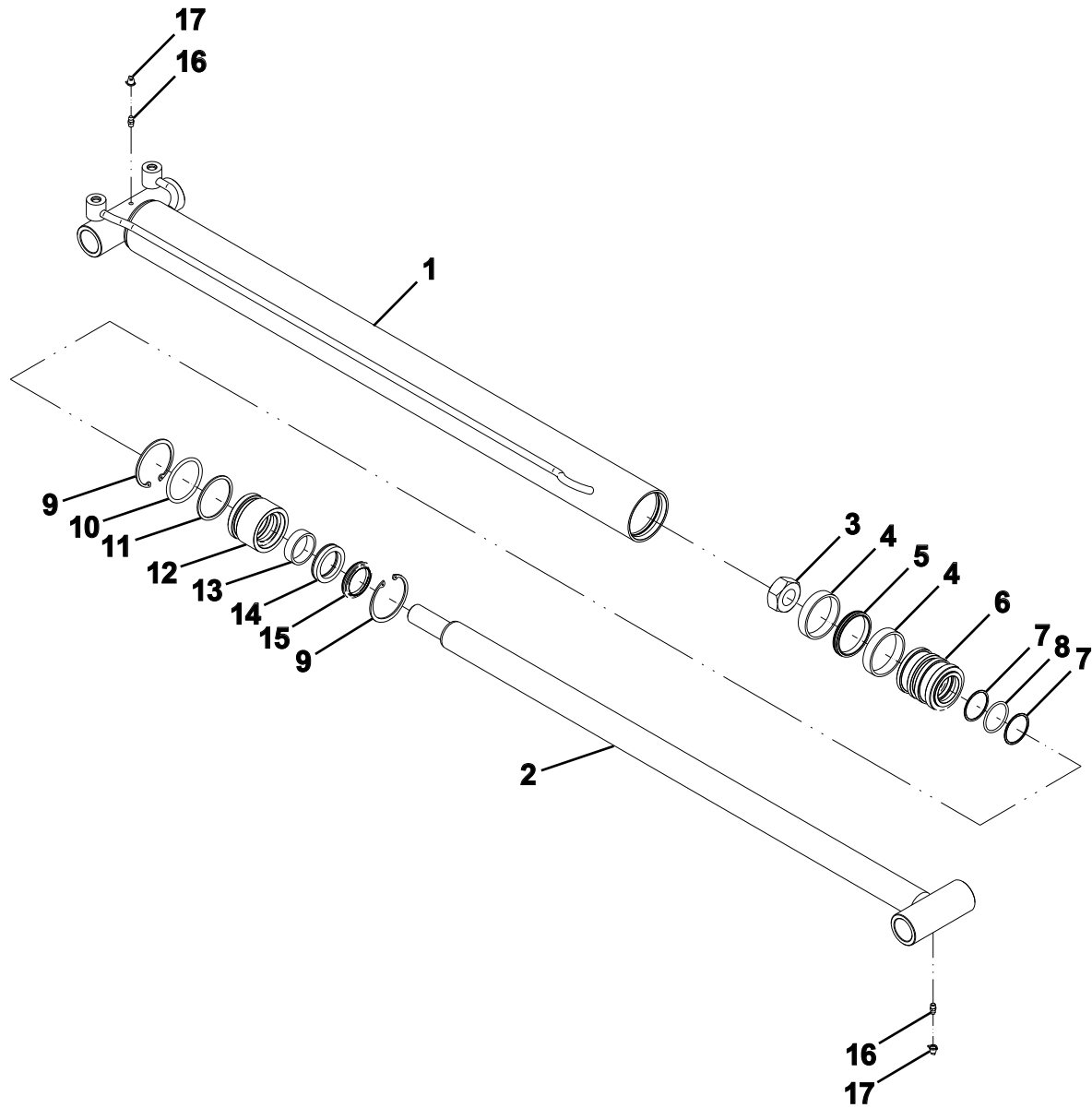
ITEM	PART NO.	DESCRIPTION	QTY
1	3071000071	Barrel Weldment	1
2	3763000089	Rod Weldment	1
3	7661000034	Locknut, 1.00"-14NF	1
4	7754000053*	Ring, Wear	2
5	7796000067*	Seal, Piston	1
6	4698000015	Piston	1
7	7755222609*	Ring, Back-up	2
8	7755222000*	Seal, "O" Ring	1
9	7754000051	Retaining Ring	2
10	7755330000^	Seal, "O" Ring	1
11	7755330609^	Ring, Back-up	1
12	4553000016	Head	1
13	7754000054^	Ring, Wear	1
14	7796000045^	Seal, Rod	1
15	7796000046^	Seal, Rod Wiper	1
16	7440030000	Grease Fitting	2
17	7253000002	Cap, Grease Fitting	2

\* Included in Piston Assembly, P/N 3698000006

^ Included in Head Assembly, P/N 3553000016

Service Seal Kit, P/N 7577250206

# UNDERLIFT EXTENSION CYLINDER ASSEMBLY - 3320000072

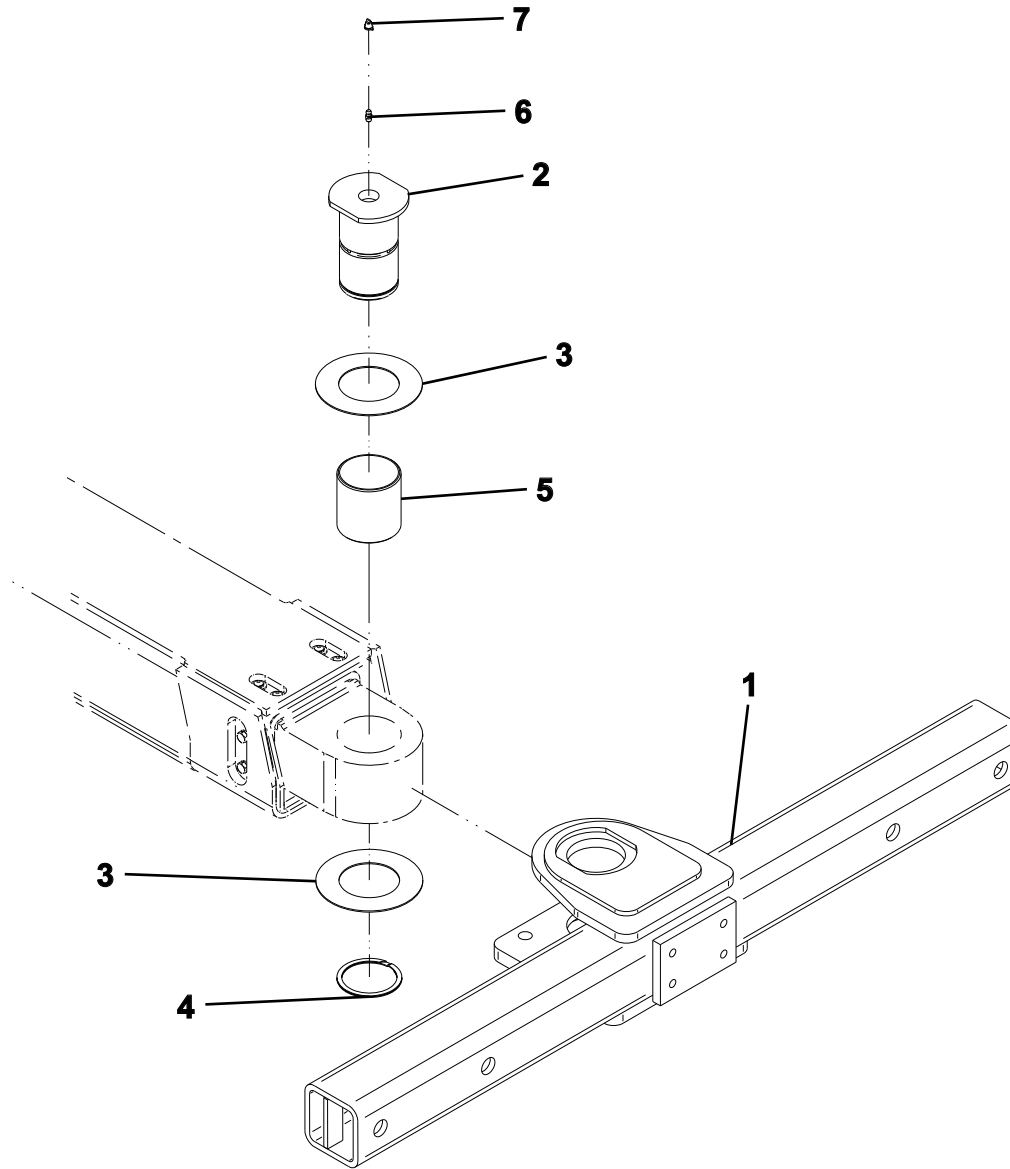


**CROSSTUBE INSTALLATION**

ITEM	PART NO.	DESCRIPTION	QTY
1	3913000064	Crosstube Weldment	1
2	4691000103	Pin	1
3	4949000047	Washer 5.00" OD x 2.84" ID x 0.063"	2
4	7754000024	Retaining Ring	1
5	7209000028	Connex Bushing	1
6	7440030000	Grease Fitting	1
7	7253000002	Cap, Grease Fitting	1



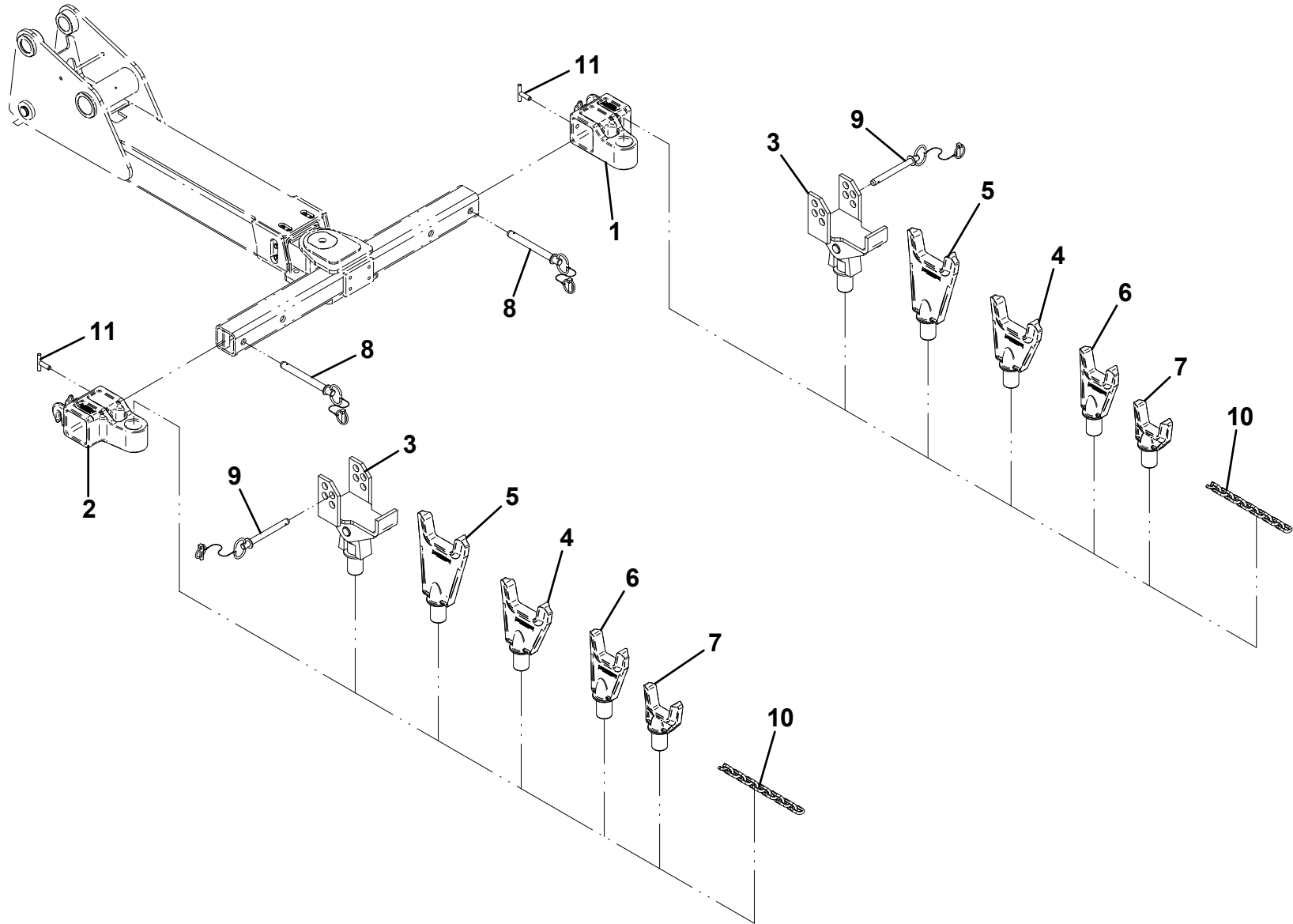
# CROSTUBE INSTALLATION



**UNDERLIFT TOOLS - FRAME FORKS**

ITEM	PART NO.	DESCRIPTION	QTY
1	7007000058	Adapter, Frame Fork - RH	1
2	7007000057	Adapter, Frame Fork - LH	1
3	3178000226	Spring Lift Bracket	2
4	7454000003	Fork, 4.50" Medium	2
5	7454000004	Fork, 4.50" Long	2
6	7454000005	Fork, 3.00" Medium	2
7	7454000006	Fork, 3.00" Short	2
8	7691000021	Hitch Pin	2
9	7691000031	Hitch Pin	2
10	7262000026	Chain, Tie-Down	2
11	3551000036	Handle	2

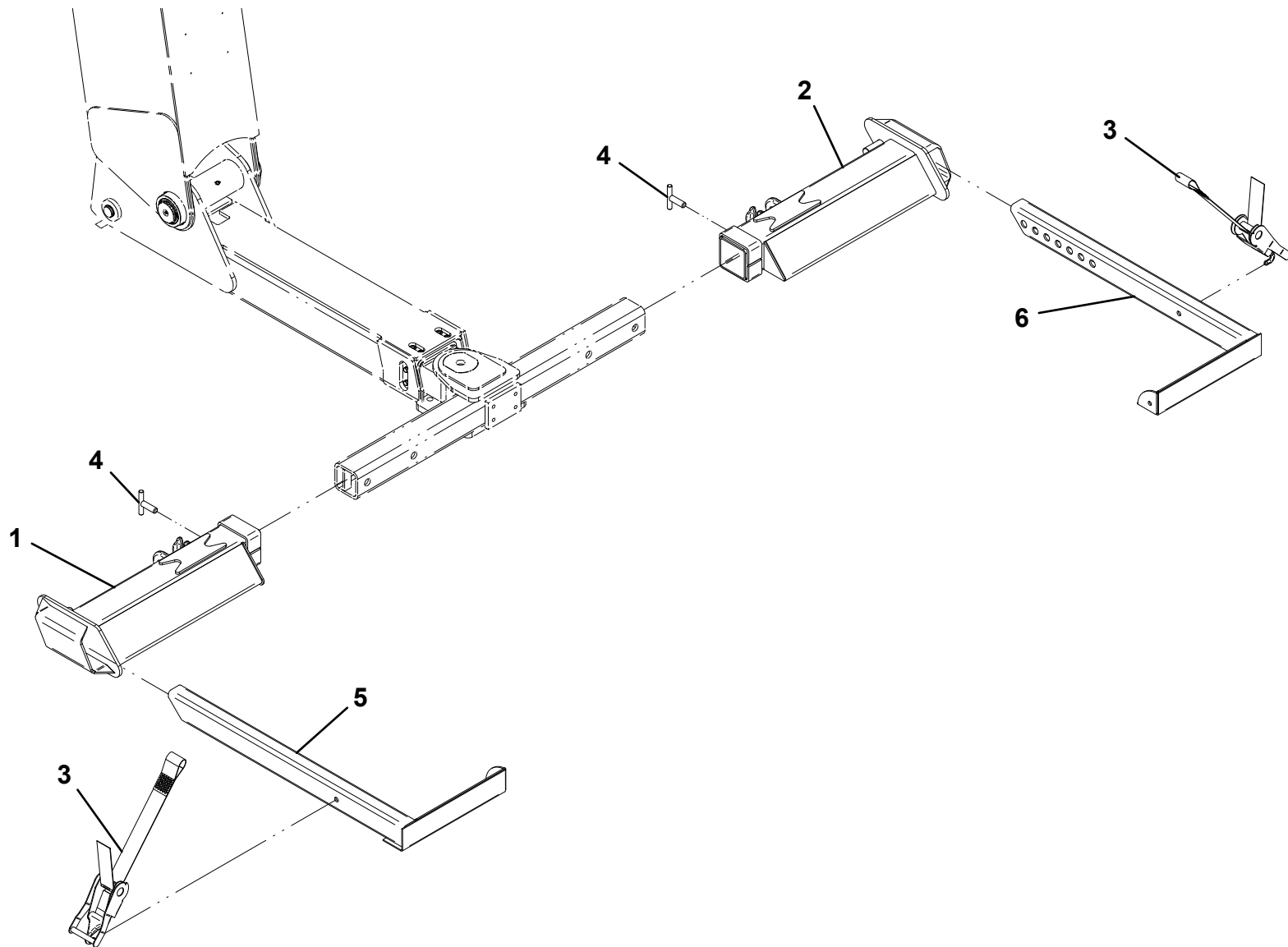
# UNDERLIFT TOOLS - FRAME FORKS



**UNDERLIFT TOOLS - L-ARM ASSEMBLY - 2504880010**

ITEM	PART NO.	DESCRIPTION	QTY
1	3484000041	Tire Grid Weldment - LH	1
2	3484000040	Tire Grid Weldment - RH	1
3	7894000034	Ratchet Strap 2" Wide	2
4	3551000036	Handle	2
5	3020000037	L-Arm Weldment - LH	1
6	3020000038	L-Arm Weldment - RH	1

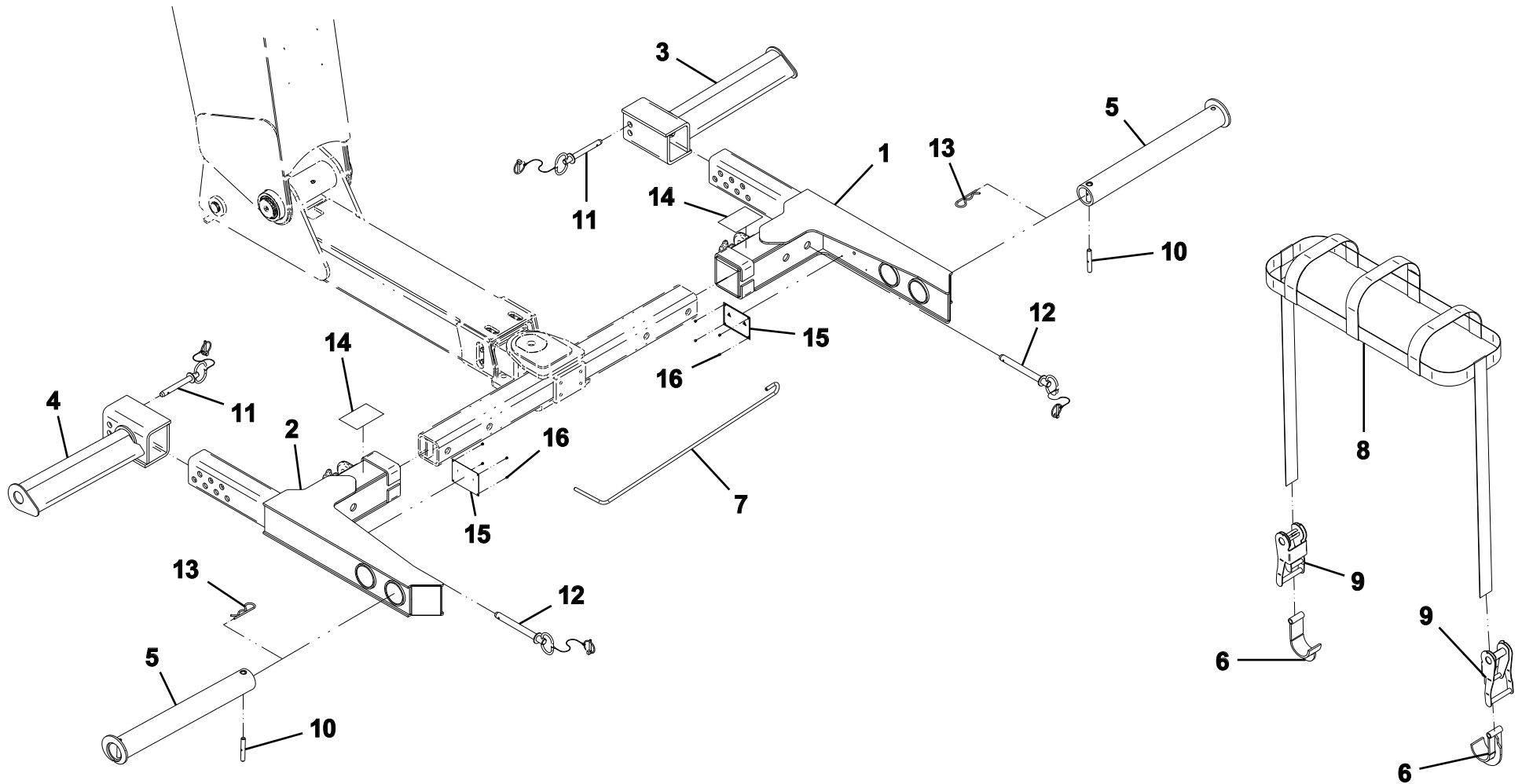
# UNDERLIFT TOOLS - L-ARM ASSEMBLY - 2504880010



**UNDERLIFT TOOLS - MEDIUM DUTY TIRE LIFT - 2504880009**

ITEM	PART NO.	DESCRIPTION	QTY
1	3484000036	Tire Lift Grid - RH	1
2	3484000037	Tire Lift Grid - LH	1
3	3020000060	Tire Lift Arm Weldment - RH	1
4	3020000059	Tire Lift Arm Weldment - LH	1
5	3912000011	Tire Lift Tube Weldment	2
6	3561000011	Hook, 2" Wide Strap	4
7	4561000012	Hook, Pull	1
8	7894000041	Strap, 2" Wide	2
9	7894000028	Ratchet, 2" Wide Strap	4
10	4691000356	Pin	2
11	7691000030	Hitch Pin	2
12	7691000031	Hitch Pin	2
13	7691000020	Hairpin	2
14	7330000325	Decal	2
15	7330000324	Decal	2
16	7759000004	Rivet	8

# UNDERLIFT TOOLS - MEDIUM DUTY TIRE LIFT - 2504880009



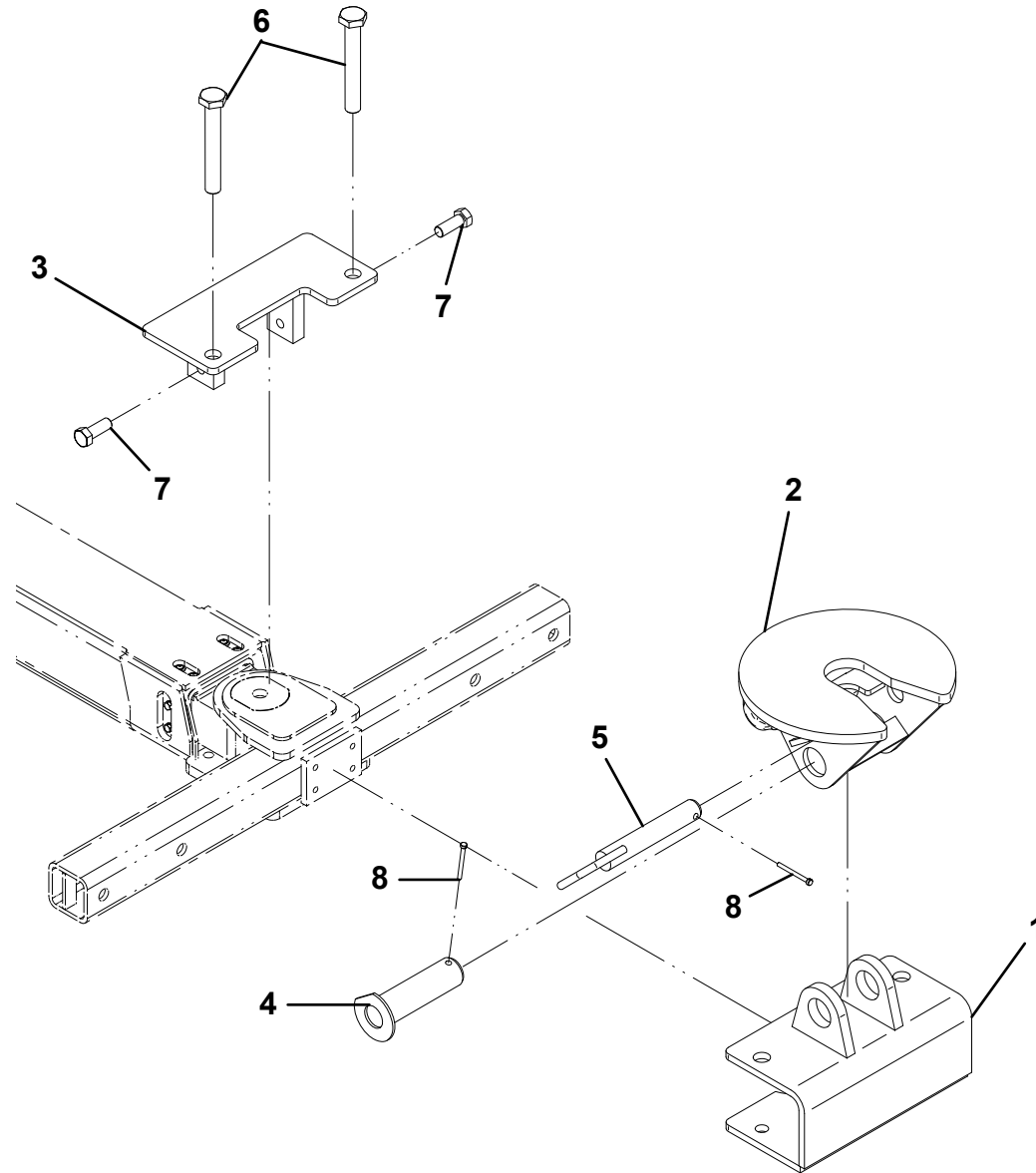
**UNDERLIFT TOOLS - FIFTH WHEEL ATTACHMENT - 2503880077**

ITEM	PART NO.	DESCRIPTION	QTY
1	3178000426*	Bracket Weldment	1
2	3178000499*	Bracket, Fifth Wheel Weldment	1
3	3706000311*	Plate Weldment	1
4	3691000144*	Pin	1
5	3691000145*	Pin	1
6	7118265650*	Capscrew, 1.00"-8NC x 7.00"	2
7	7118221650*	Capscrew, 0.75"-10NC x 2.00"	2
8	7691000025*	Pin	2

\* Also available as - 2503880077



# UNDERLIFT TOOLS - FIFTH WHEEL ATTACHMENT - 2503880077



**UNDERLIFT TOOLS - BALL HITCH**

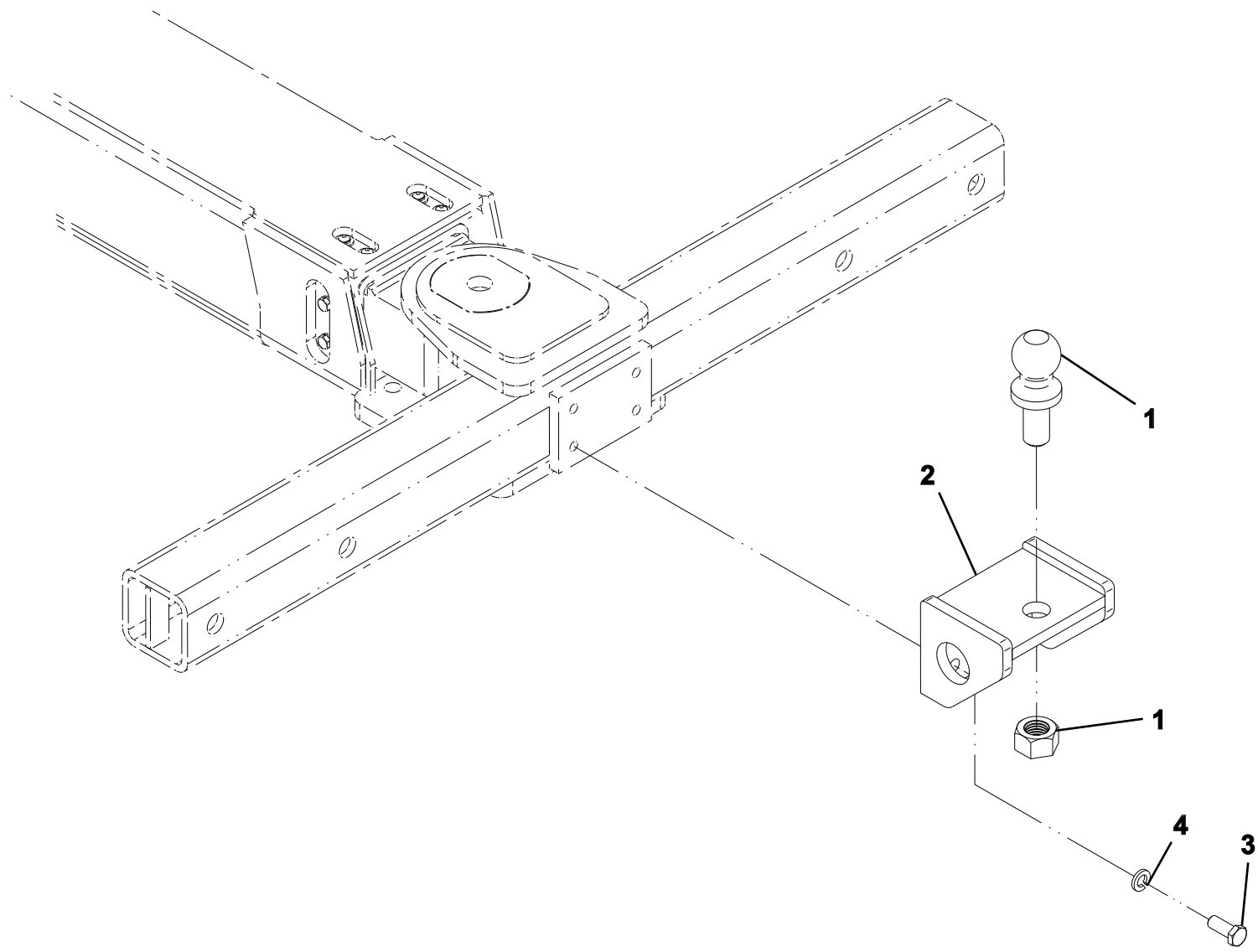
ITEM	PART NO.	DESCRIPTION	QTY
1	7056000007	Chrome Ball, 1.88" Dia.	1
	7056000008	Chrome Ball, 2.00" Dia.	1
	7056000009	Chrome Ball, 2.31" Dia.	1
2	3706000150	Plate, Ball Hitch Weldment	1
3	7115181050	Capscrew, 0.50"-13NC x 1.50"	4
4	7950180000	Lockwasher, 0.50" ID	4

\* Also Available as - 2503880023 with 1.88" Dia. Ball

\* Also Available as - 2503880024 with 2.00" Dia. Ball

\* Also Available as - 2503880025 with 2.31" Dia. Ball

# UNDERLIFT TOOLS - BALL HITCH

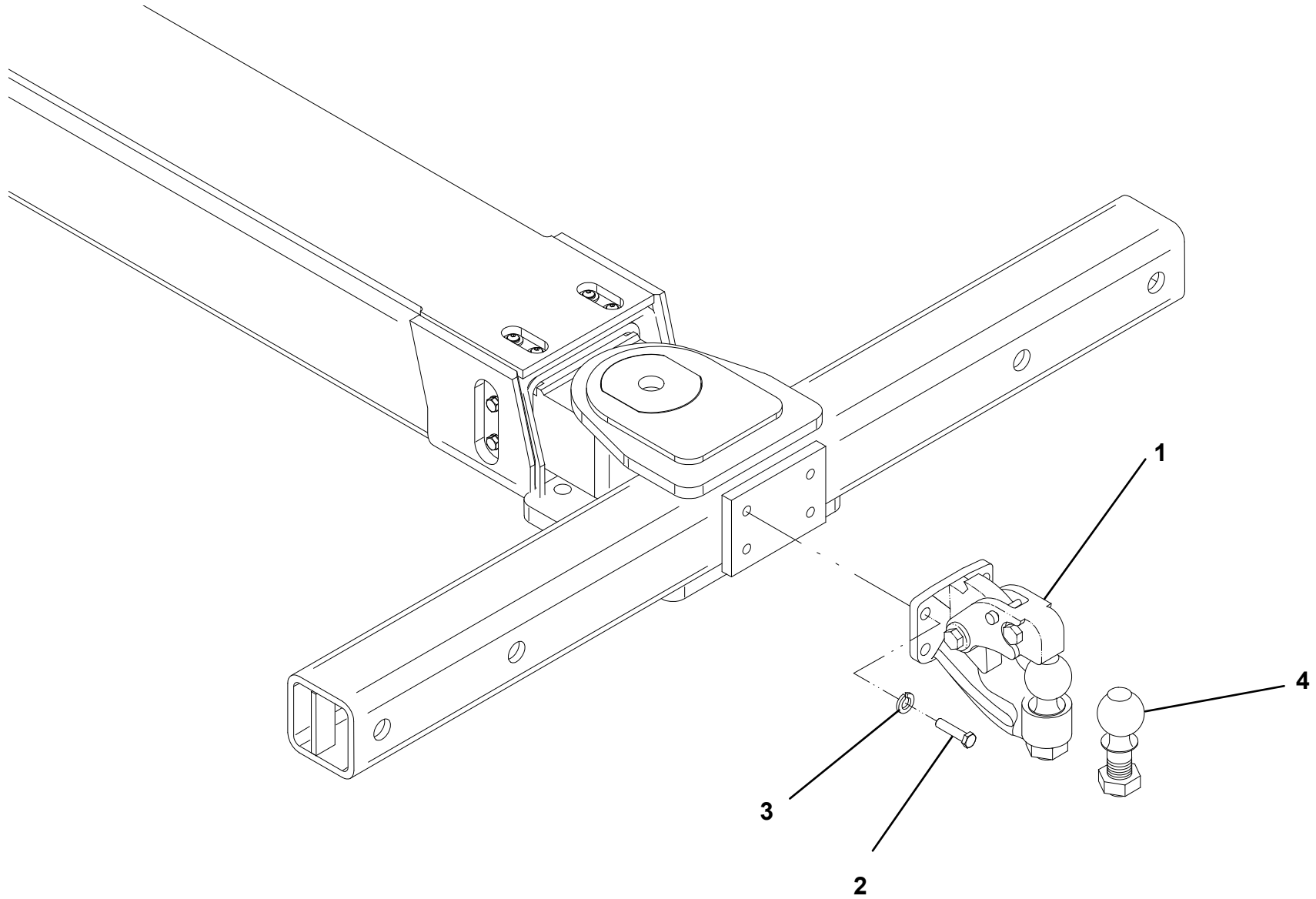


**UNDERLIFT TOOLS - PINTLE HOOK**

ITEM	PART NO.	DESCRIPTION	QTY
1	7561000020*	Hitch, Pintle Hook	1
2	7115181250*	Capscrew, 0.50"-13NC x 1.50"	4
3	7950180000*	Lockwasher, 0.50" ID	4
4	7056000007	Chrome Ball, 1.88" Dia.	1
	7056000008	Chrome Ball, 2.00" Dia.	1
	7056000009	Chrome Ball, 2.31" Dia.	1

\* Also Available as Assembly 2504880026

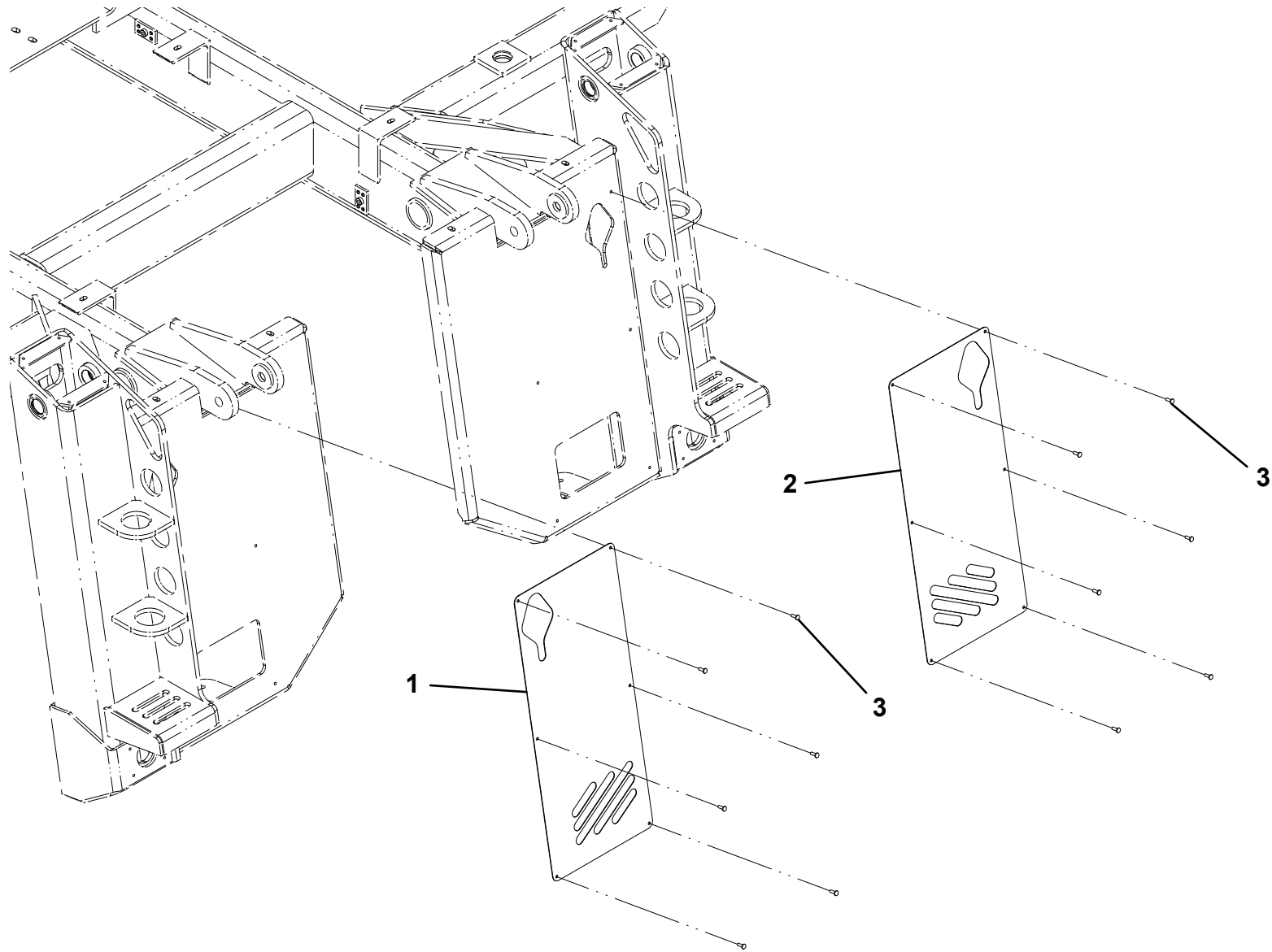
# UNDERLIFT TOOLS - PINTLE HOOK



**REAR TAIL PLATE INSTALLATION**

ITEM	PART NO.	DESCRIPTION	QTY
1	1001141067	Plate - LH	1
2	1001141068	Plate - RH	1
3	7759000018	Rivet	14

# REAR TAIL PLATE INSTALLATION

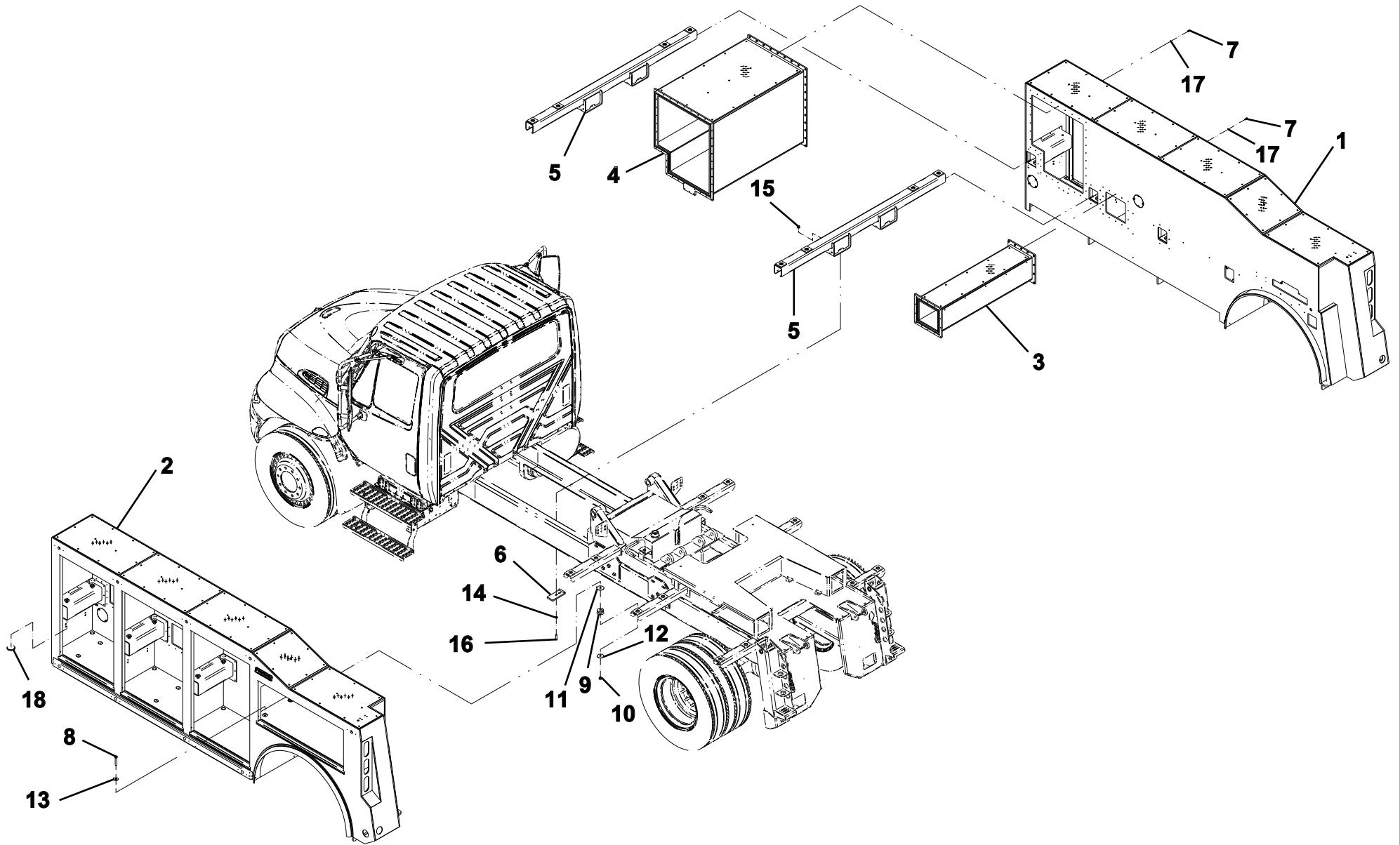


**BODY INSTALLATION**

ITEM	PART NO.	DESCRIPTION	QTY
1	1001154524	Body Side, RH - Painted Door Finish	1
	1001154526	Body, Side RH - Brushed Door Finish	1
2	1001154523	Body Side, LH - Painted Door Finish	1
	1001154525	Body Side, LH - Brushed Door Finish	1
3	1001140520	Box, Small Tunnel	1
4	1001140522	Box, Large Tunnel	1
5	1001137453	Mount, Body Support	2
6	3274000014	Clamp	4
7	1001143687	Screw, 0.25"-20NC x 1.00"	108
8	7115202850	Capscrew, 0.63"-11NC x 3.50"	20
9	7636000008	Mount	20
10	7660200001	Nut, 0.63"-11NC	20
11	7949000019	Washer	20
12	7949000020	Washer	20
13	7950200161	Flatwasher, 0.63" ID	20
14	7115181650	Capscrew, 0.50"-13NC x 2.00"	4
15	7660182301	Locknut, 0.50"-13NC	4
16	7950180252	Flatwasher, 0.50" ID	4
17	1001143686	Lockwasher, 0.50" ID	108
18	1001143119	Plug, 3.00"	12



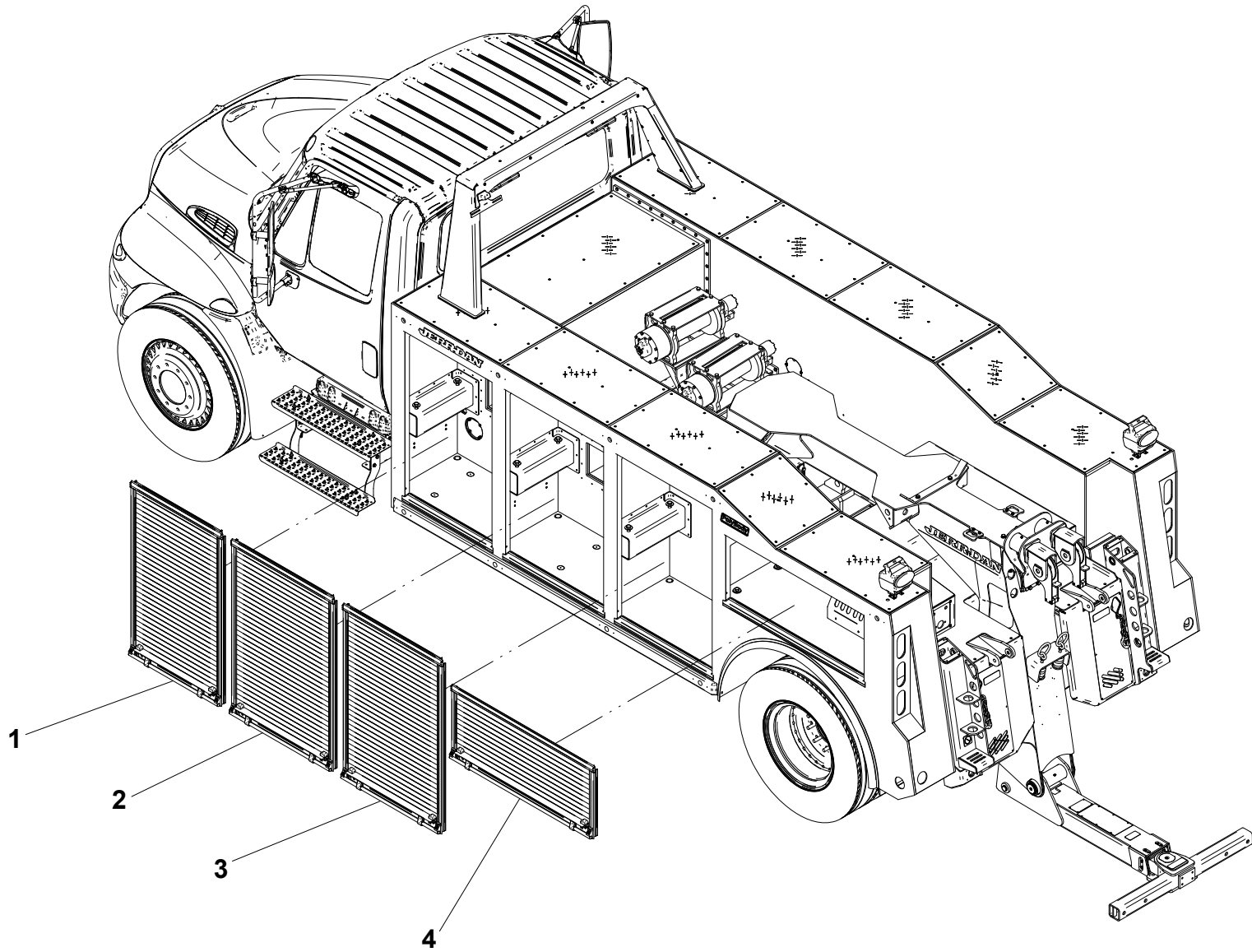
# BODY INSTALLATION



**POLYBODY DOORS**

ITEM	PART NO.	DESCRIPTION	QTY
1	70050300	R.O.M. Door - 29.38" x 47.50" Brushed	2
2	70050301	R.O.M. Door - 33.00" x 47.50" Brushed	2
3	70050302	R.O.M. Door - 32.00" x 47.50" Brushed	2
4	70050303	R.O.M. Door - 46.38" x 19.06" Brushed	2

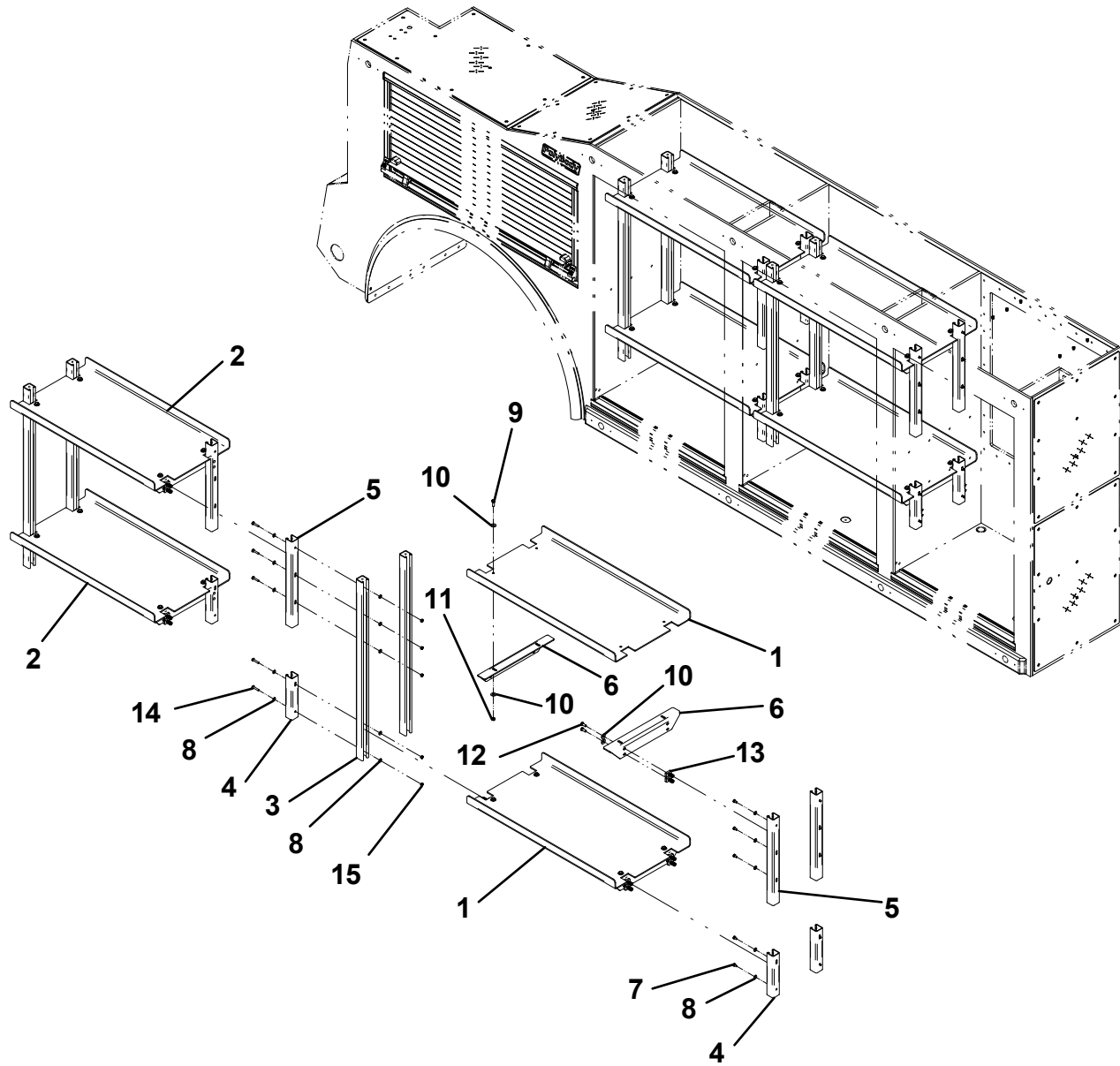
# POLYBODY DOORS



**IN-BODY SHELVING INSTALLATION**

ITEM	PART NO.	DESCRIPTION	QTY
1	1001141089	Tray, In-Body Shelf Long	2
2	1001141088	Tray, In-Body Shelf Short	2
3	1001141085	Channel, Full Shelf Track	4
4	1001141086	Channel, Shelf Track Short (Bottom)	4
5	1001141087	Channel, Shelf Track Short (Top)	4
6	1001141090	Angle	8
7	7114140418	Capscrew, 0.25"-20NC x 0.50"	18
8	7950140143	Flatwasher, 0.25" ID	36
9	7114150818	Capscrew, 0.31"-18NC x 1.00"	16
10	7950150143	Flatwasher, 0.31" ID	64
11	7660152604	Locknut, 0.31"-18NC x 1.25"	16
12	7114150618	Capscrew, 0.31"-18NC x 0.75"	32
13	1001141091	Channel Nut W/Spring	32
14	7114141018	Capscrew, 0.25"-20NC x 1.25"	10
15	7660142604	Locknut, 0.25"-20NC ID	10

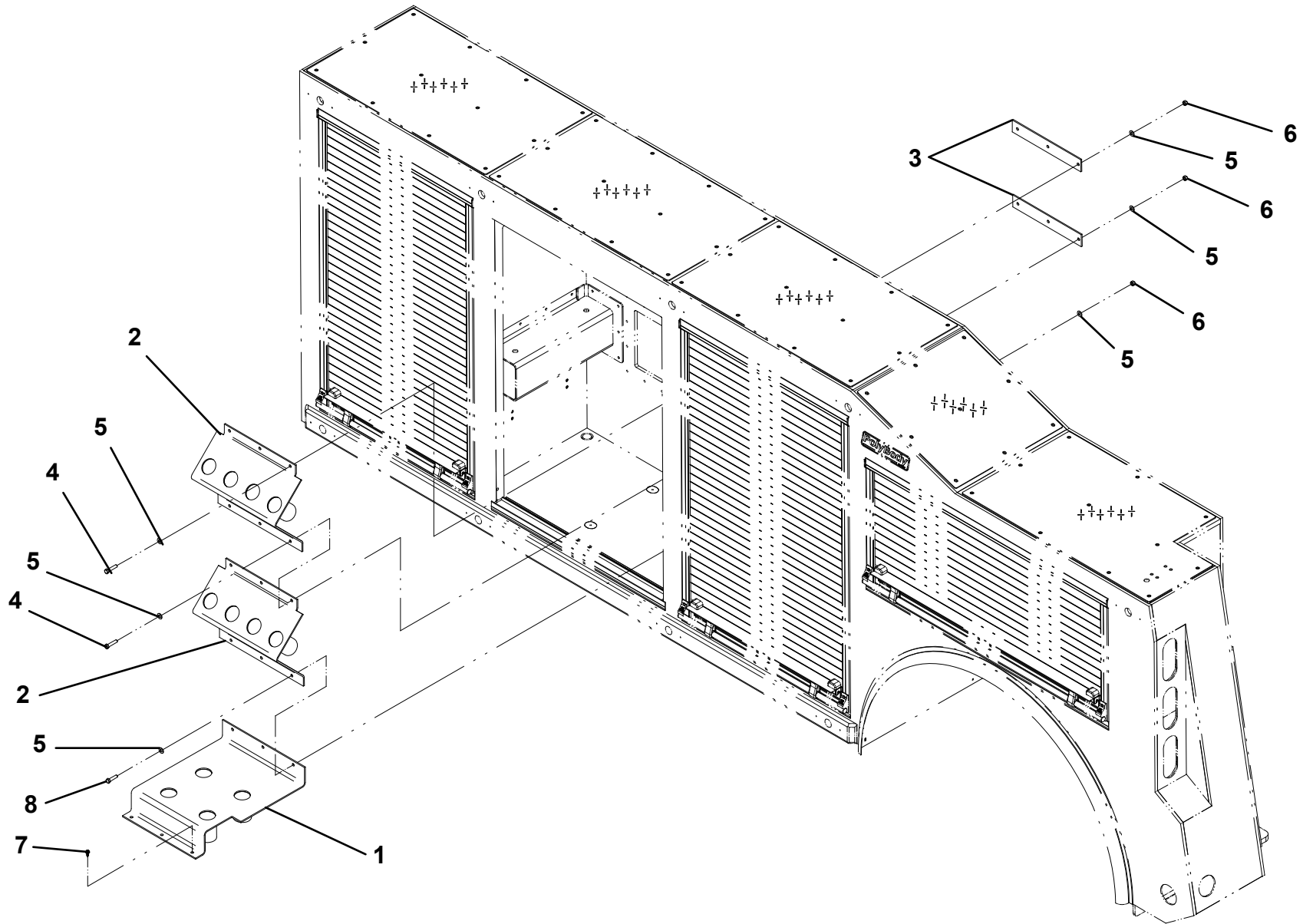
# IN-BODY SHELVING INSTALLATION



**TOOL HOLDER INSTALLATION**

ITEM	PART NO.	DESCRIPTION	QTY
1	1001141252	Bracket	1
2	1001141253	Bracket	2
3	1001141249	Bar	2
4	7115161450	Capscrew, 0.38"-16NC x 1.75"	6
5	7950160141	Flatwasher, 0.38" ID	18
6	7660162601	Locknut, 0.38"-16NC	9
7	1001141265	Screw, 0.38"-16NC x 0.75"	3
8	7115161250	Capscrew, 0.38"-16NC x 1.50"	3

# TOOL HOLDER INSTALLATION

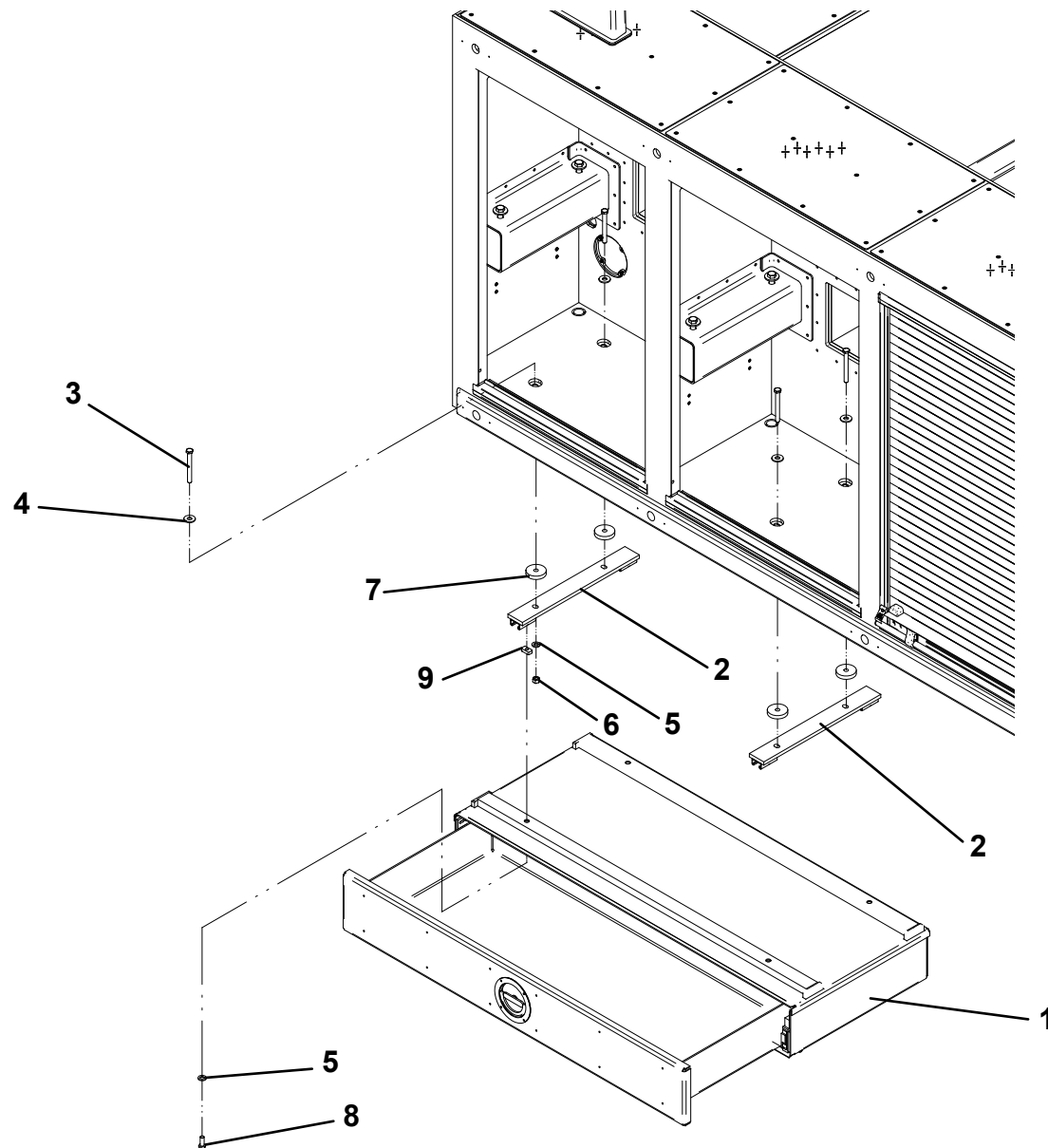


**UNDERBODY TOOL BOX INSTALLATION**

ITEM	PART NO.	DESCRIPTION	QTY
1	1001137963	Underbody Drawer	1
2	1001141151	Channel	2
3	7115183650	Capscrew, 0.50"-13NC x 4.50"	4
4	7950180161	Flatwasher, 0.50" ID Wide	4
5	7950180153	Flatwasher, 0.50" ID	8
6	7660182601	Locknut, 0.50"-13NC	4
7	4831000121	Spacer, 0.50" x 2.50" OD x 0.56" ID	4
8	7115181050	Capscrew, 0.50"-13NC x 1.25"	4
9	1001145327	Nut-Spec, 0.50"-13NC	4



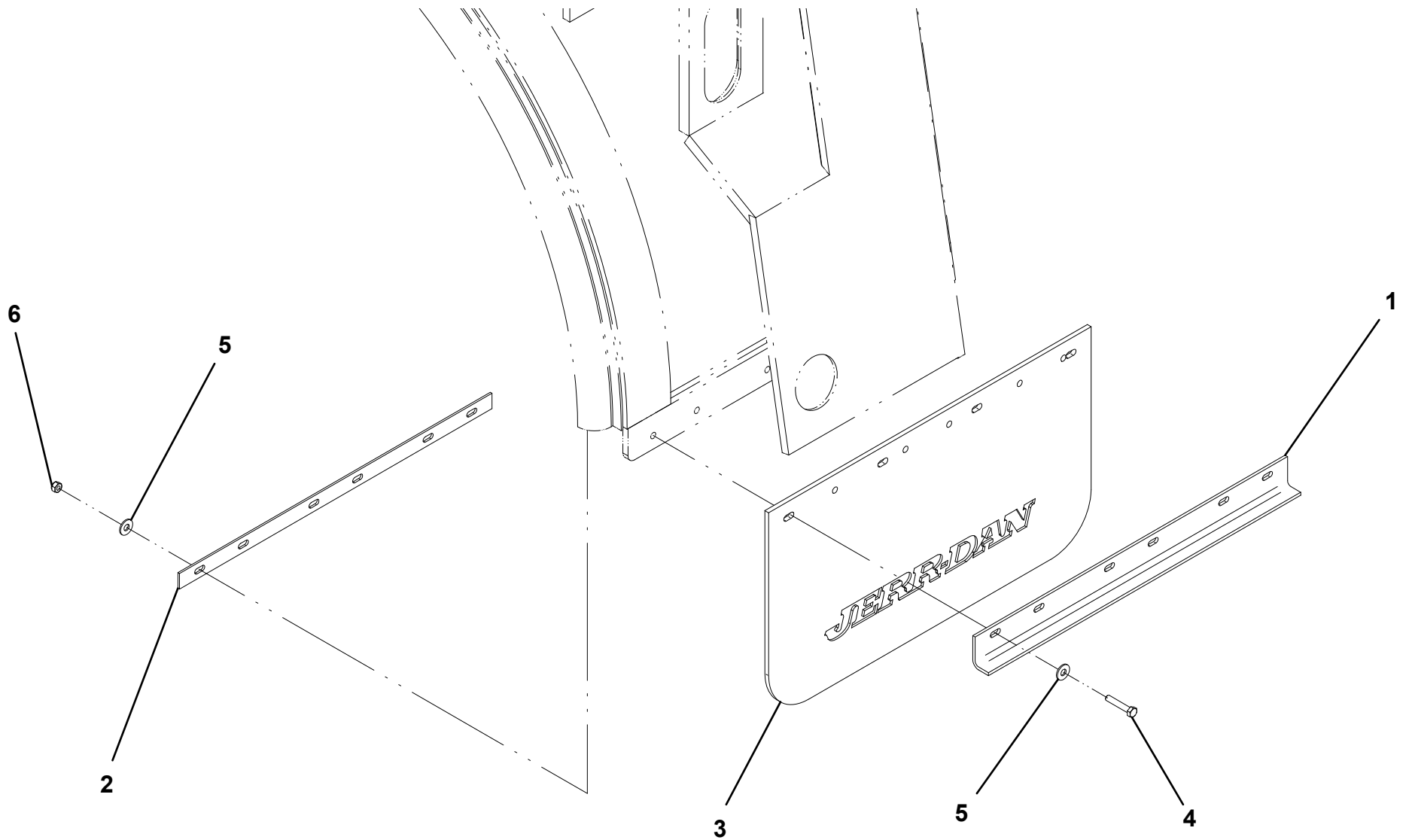
# UNDERBODY TOOL BOX INSTALLATION



**MUDFLAP INSTALLATION**

ITEM	PART NO.	DESCRIPTION	QTY
1	4017000719	Angle	2
2	4706001815	Plate	2
3	7638000007	Mudflap, W/ Jerr-Dan Logo	2
4	7115151450	Capscrew, 0.31"-18NC x 1.75"	12
5	7950150161	Flatwasher, 0.31" ID	24
6	7660152601	Locknut, 0.31"-18NC	12

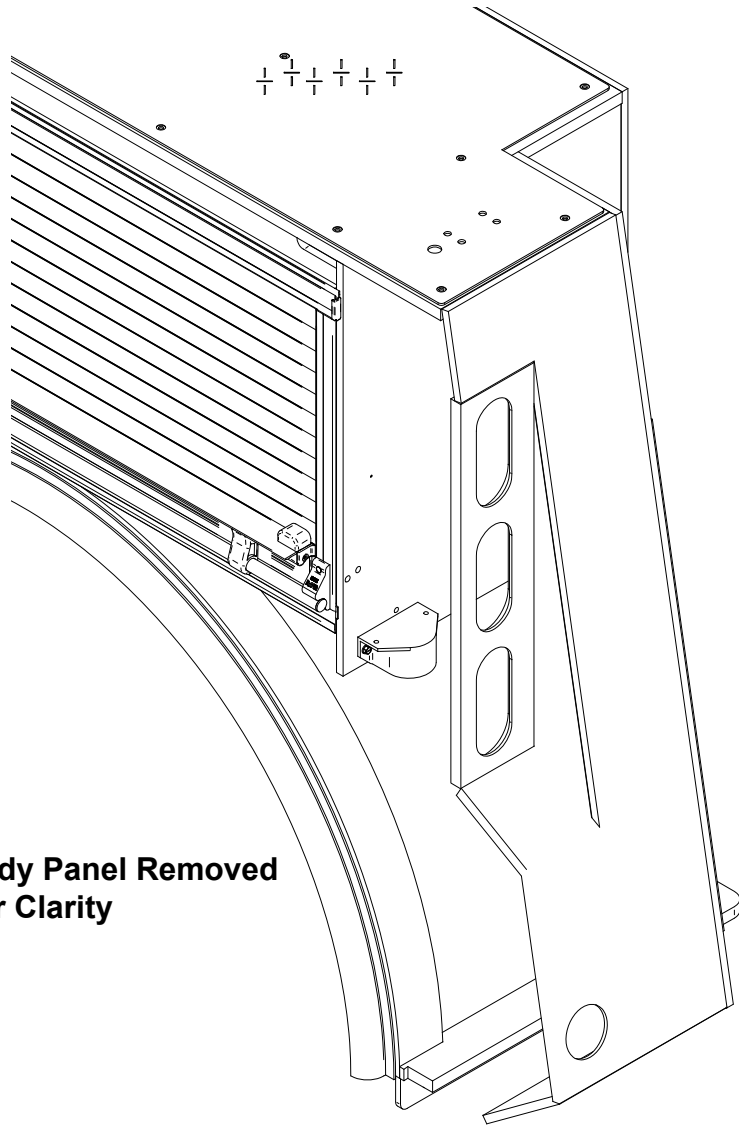
# MUDFLAP INSTALLATION



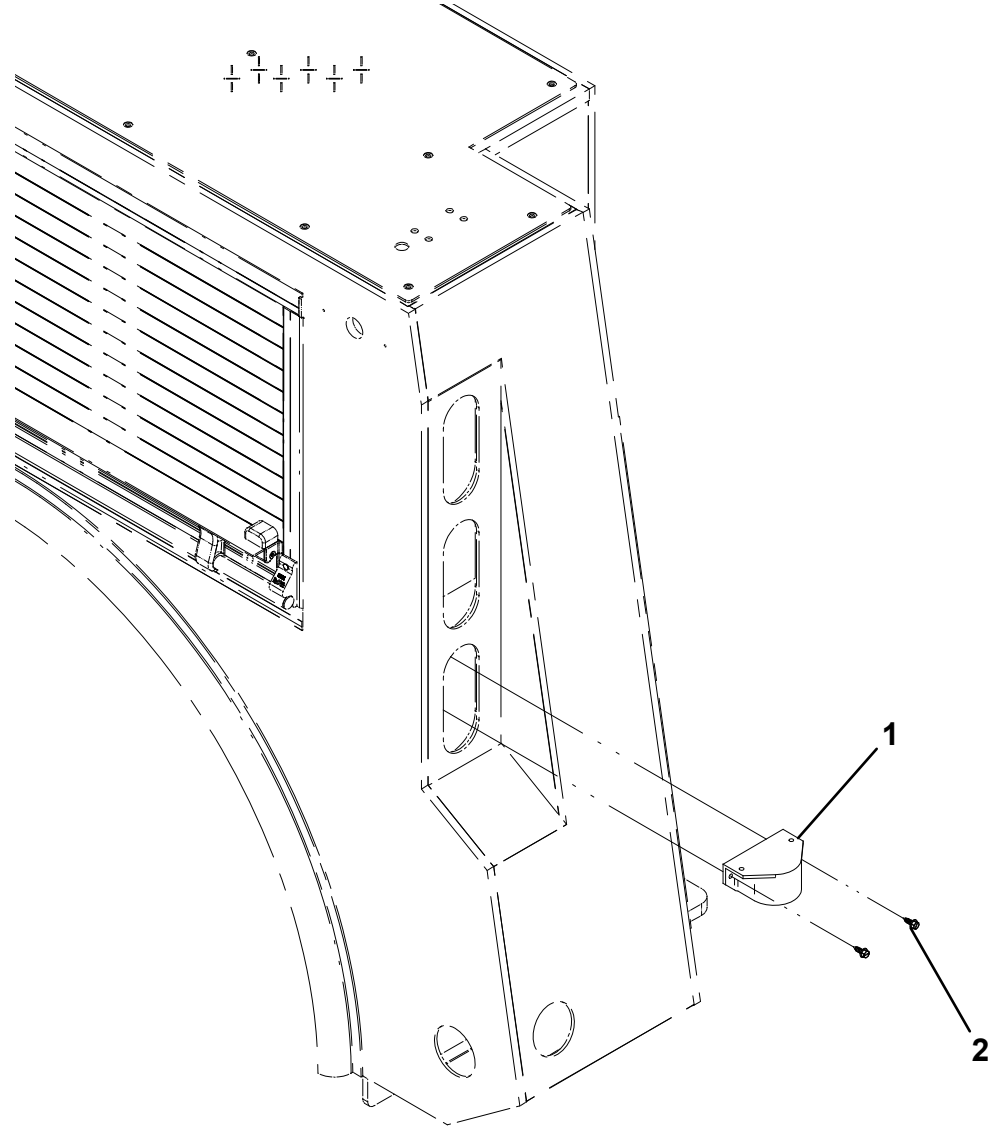
**BACK-UP ALARM INSTALLATION**

ITEM	PART NO.	DESCRIPTION	QTY
1	7011000007	Alarm, Backup	1
2	1001141265	Screw, #14 x 0.75"	2

# BACK-UP ALARM INSTALLATION



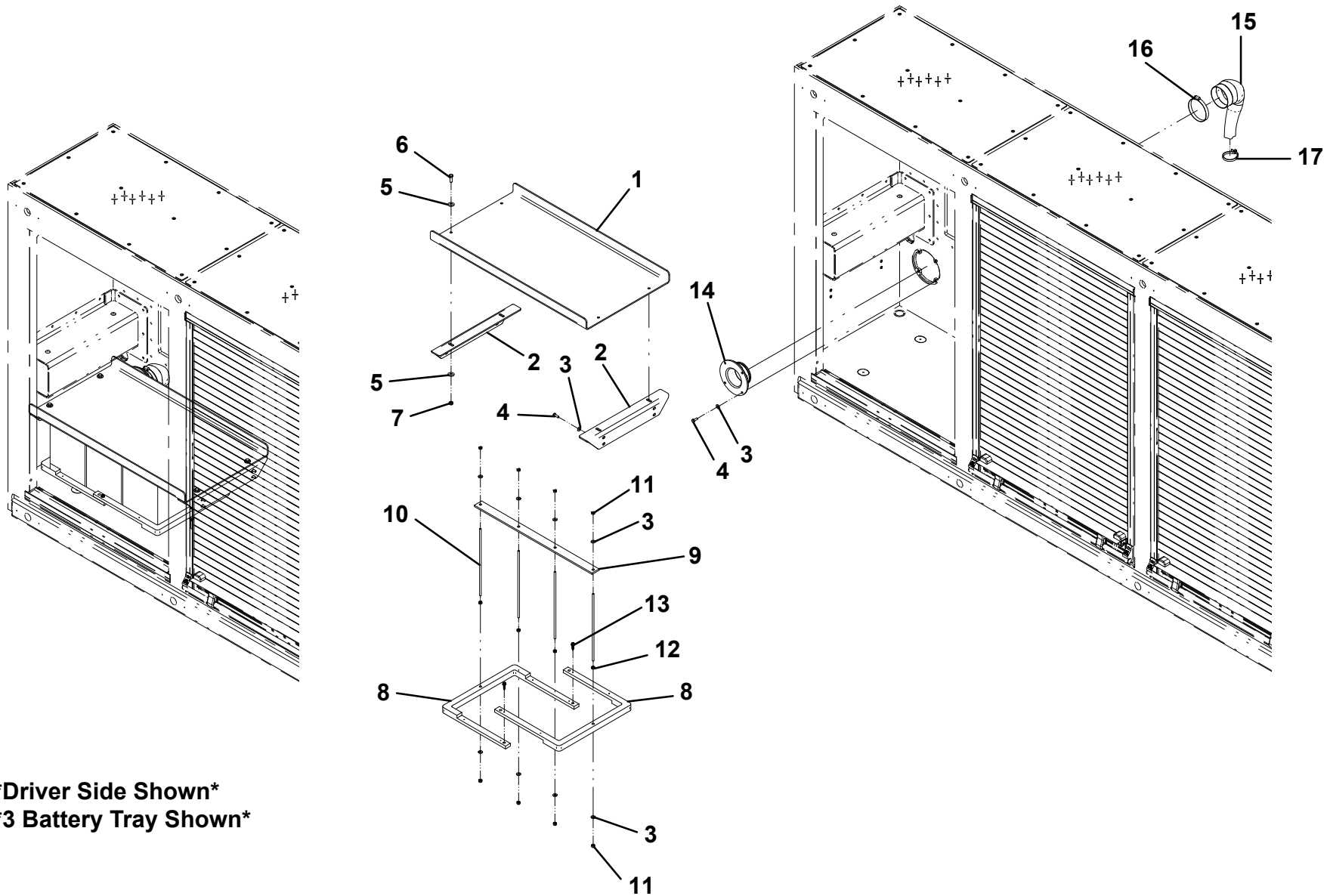
Body Panel Removed  
For Clarity



**BATTERY TRAY INSTALLATION**

ITEM	PART NO.	DESCRIPTION	QTY	ITEM	PART NO.	DESCRIPTION	QTY
<b>2 Battery Tray - DS/PS</b>				<b>3 Battery Tray - DS/PS</b>			
1	1001141841	Tray	1	1	1001141841	Tray	1
2	1001141090	Angle	2	2	1001141090	Angle	2
3	7950140143	Flatwasher, 0.25" ID	20	3	7950140143	Flatwasher, 0.25" ID	23
4	7115140650	Capscrew, 0.25"-20NC x 0.75"	12	4	7115140650	Capscrew, 0.25"-20NC x 0.75"	12
5	7950150161	Flatwasher, 0.31" ID	8	5	7950150161	Flatwasher, 0.31" ID	8
6	7115150850	Capscrew, 0.31"-18NC x 1.00"	4	6	7115150850	Capscrew, 0.31"-18NC x 1.00"	4
7	7660152604	Locknut, 0.31"-18NC	4	7	7660152604	Locknut, 0.31"-18NC	4
8	1001141634	Plate	2	8	1001141634	Plate	2
9	1001141857	Bar	2	9	1001141858	Bar	2
10	1001141654	Rod 0.25"-20NC x 12.00"	3	10	1001141654	Rod 0.25"-20NC x 12.00"	4
11	7660142604	Locknut, 0.25"-20NC	6	11	7660142604	Locknut, 0.25"-20NC	8
12	7660140000	Nut, 0.25"-20NC	3	12	7660140000	Nut, 0.25"-20NC	4
13	1001141832	Screw, #14 x 1.00"	2	13	1001141832	Screw, #14 x 1.00"	2
14	1001141909	Cover, Battery Cable Port	1	14	1001141909	Cover, Battery Cable Port	1
15	1001142253	Sleeve	1	15	1001142253	Sleeve	1
16	7274000052	Hose Clamp, 2.75" to 3.75"	1	16	7274000052	Hose Clamp, 2.75" to 3.75"	1
17	7894000004	Tie Strap, 0.3125" x 15.00"	1	17	7894000004	Tie Strap, 0.3125" x 15.00"	1

# BATTERY TRAY INSTALLATION



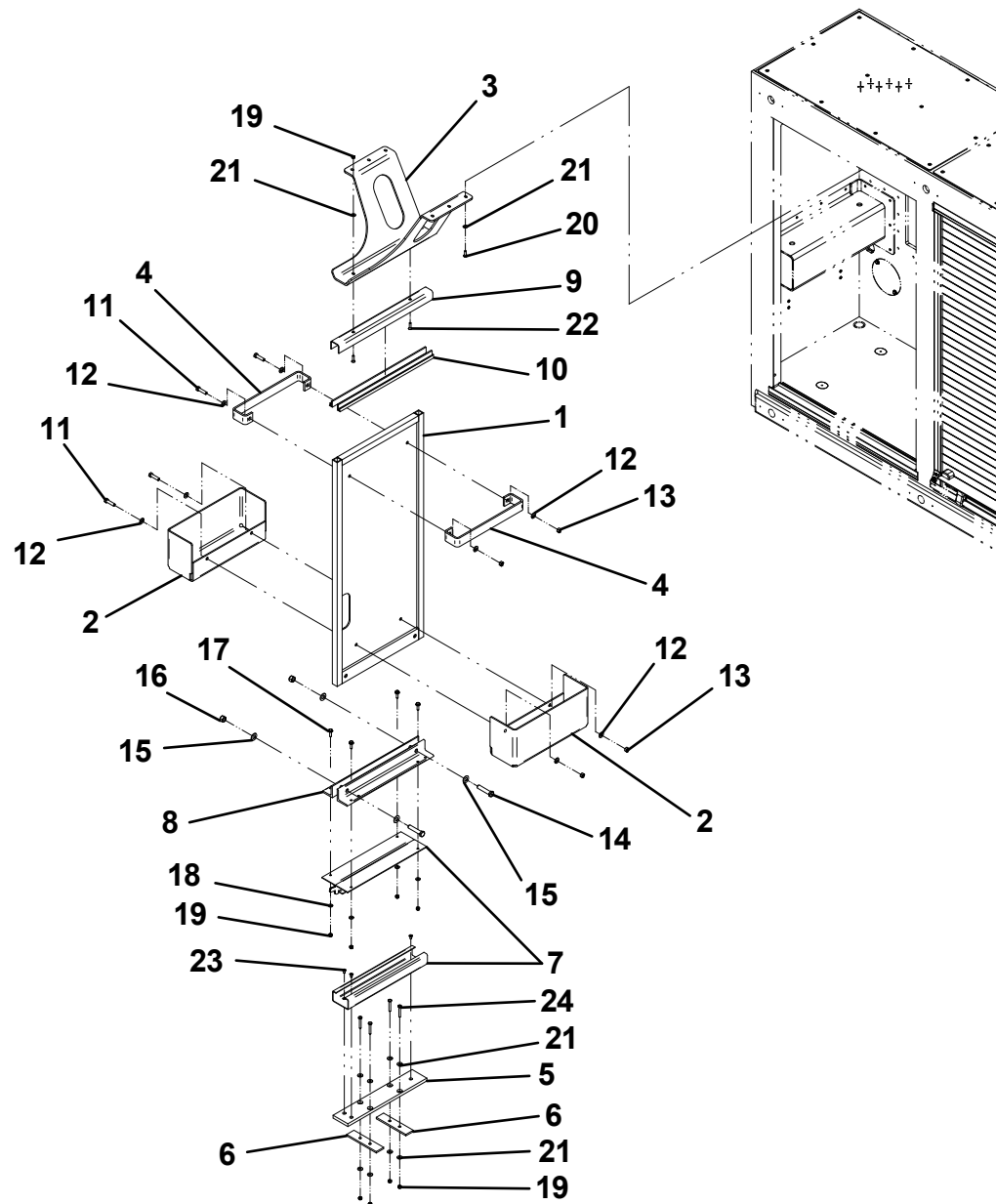
**\*Driver Side Shown\***  
**\*3 Battery Tray Shown\***

**TOOL STORAGE SLIDE OUT - LH & RH SIDE**

ITEM	PART NO.	DESCRIPTION	QTY
1	1001141186	Tool Board	1
2	1001138022	Box	2
3	1001141183	Bracket	1
4	1001138021	Bracket	2
5	1001141149	Bar	1
6	1001141150	Plate	2
7	7821000009	Slide Lock	1
8	4017001727	Angle	2
9	4263000941	Channel, 1.66" x 1.44" x 0.12" x 19.00"	1
10	4679000323	Slide Pad. Clip-On "J" 19.00"	2
11	7115161250	Capscrew, 0.38"-16NC x 1.50"	4
12	7950160141	Flatwasher, 0.50" ID	8
13	7660162601	Locknut, 0.38"-16NC	4
14	7115182050	Capscrew, 0.50"-13NC x 2.50"	2
15	7950180143	Flatwasher, 0.50" ID	4
16	7660182601	Locknut, 0.50"-13NC	2
17	7115140850	Capscrew, 0.25"-20NC x 1.00"	4
18	7950140141	Flatwasher, 0.25" ID	8
19	7660142604	Locknut, 0.25"-20NC	14
20	7115140650	Capscrew, 0.25"-20NC x 0.75"	6
21	7950140163	Flatwasher, 0.25" ID	16
22	7114140823	Capscrew, 0.25"-20NC x 1.00"	2
23	7114140423	Capscrew, 0.25"-20NC x 0.50"	3
24	7115141450	Capscrew, 0.25"-20NC x 1.75"	4



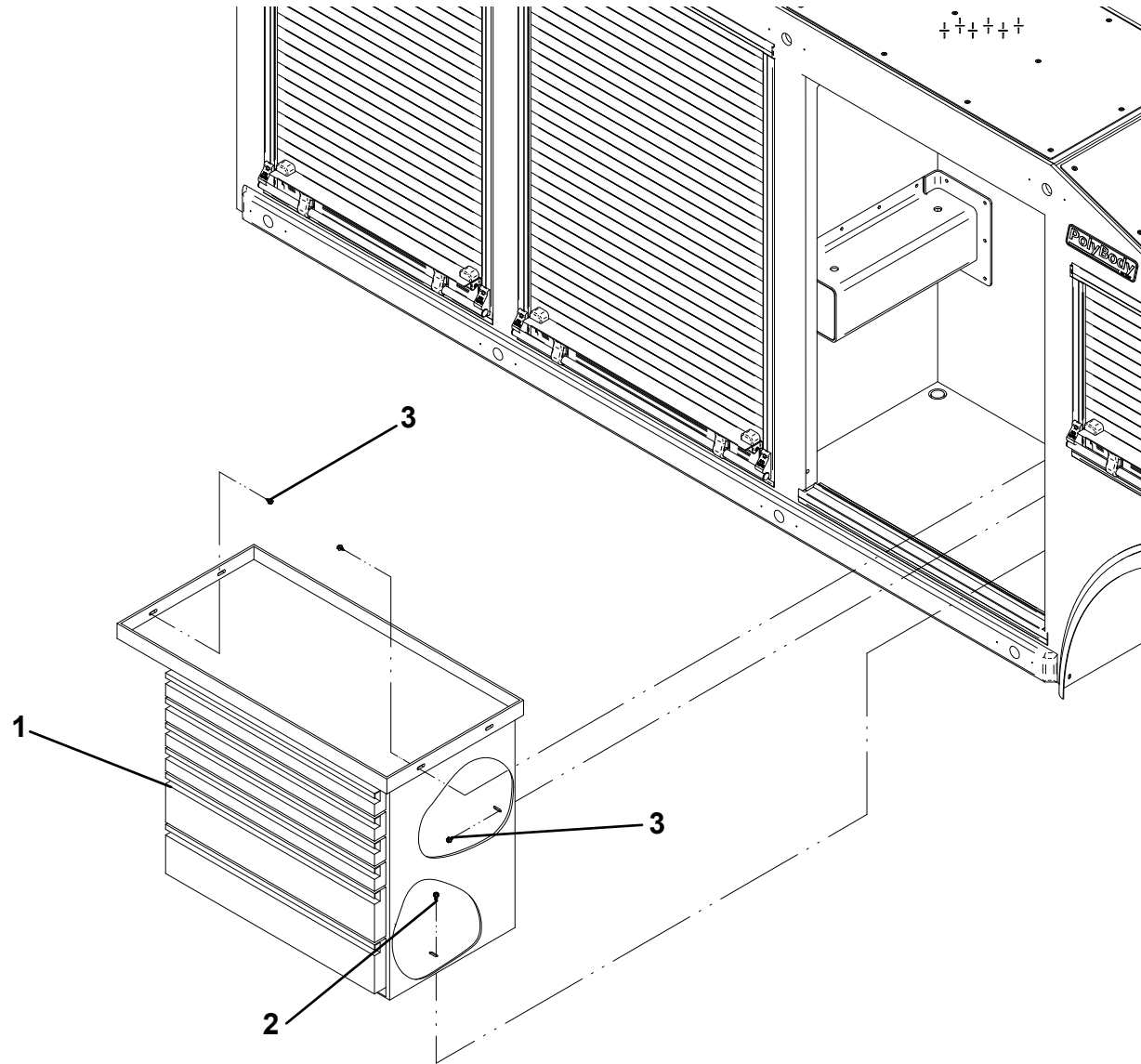
# TOOL STORAGE SLIDE OUT - LH & RH SIDE



**TOOL STORAGE CHEST INSTALLATION**

ITEM	PART NO.	DESCRIPTION	QTY
1	1001138018	Tool Box	1
2	1001141265	Screw, 0.38" x 0.75"	6
3	1001141264	Screw, 0.38" x 0.50"	10

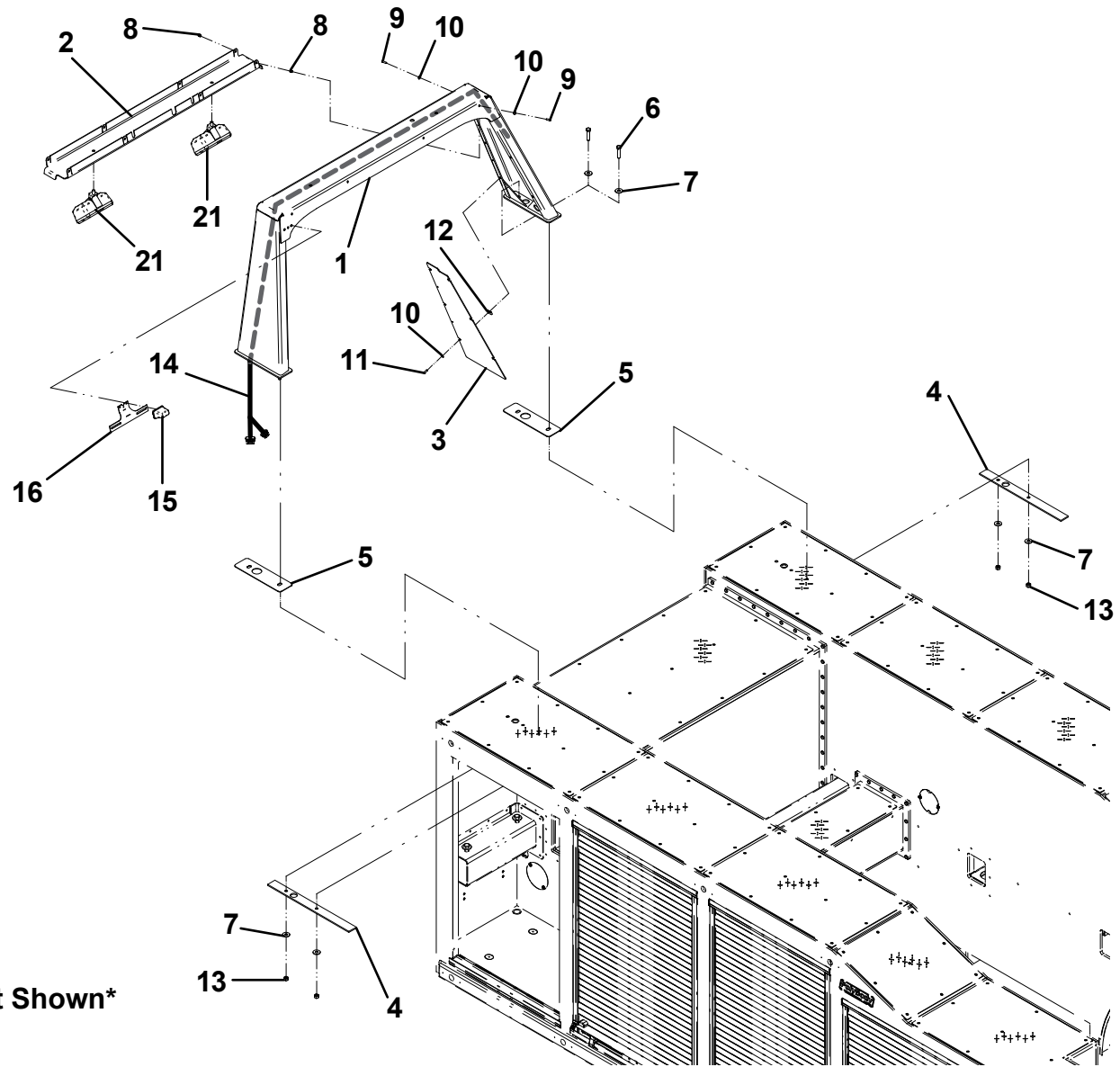
# TOOL STORAGE CHEST INSTALLATION



**LIGHT PYLON INSTALLATION**

ITEM	PART NO.	DESCRIPTION	QTY
1	3509570135	Light Pylon	1
2	4263000689	Channel	1
3	4314000102	Cover Plate	2
4	1001141409	Plate	2
5	7796000101	Gasket	2
6	7115181850	Capscrew, 0.50"-13NC x 2.50"	4
7	7950180161	Flatwasher, 0.50" ID	8
8	7413000002	Nutsert, 0.25"-20NC	8
9	7114140818	Capscrew, 0.25"-20NC x 1.00"	8
10	7950140143	Flatwasher, 0.25" ID	20
11	7114140618	Capscrew, 0.25"-20NC x 0.75"	12
12	7661000019	U-Nut, 0.25"-20NC	12
13	7660182601	Locknut, 0.50"-13NC	4
14	755200293	Harness	1
15	7590000105	Light, License Plate	1
16	7178000025	Bracket, License Plate	1
17	7346000039	Tubing, 0.25" ID	6in
18	7894000042	Tie Strap, 0.25" x 8.39"	1
19	5526000553	Tie Strap, 0.31" x 8.00"	1
20	7950100163	Flatwasher, #10 ID	2
21	7590000144	Light, Halogen Work	2
22	7346000039	Tubing, 0.25" ID	1

# LIGHT PYLON INSTALLATION



\*Items 17,18,19,20 and 22 Not Shown\*

## LIGHT PYLON INSTALLATION

CIRCUIT	GA	COLOR	FUNCTION
15	16	GRAY	WORK LIGHT, LIGHTBAR
12	12	ORANGE	BEACON 1
11	12	ORANGE/BLACK	BEACON 2
10	16	BLUE/BLACK	WORK LIGHT, PYLON
9	10	WHITE	GROUND
8	16	BLUE/WHITE	RIGHT TURN (FOREIGN)
5	16	BROWN	MARKER/TAIL
3	16	GREEN	RH STOP/TURN
2	16	YELLOW	LH STOP/TURN
1	16	PURPLE/WHITE	LEFT TURN (FOREIGN)

CIRCUIT	GA	FUNCTION	TERMINAL
10	16	WORK LIGHT, PYLON	BUTT CONNECTOR
9	16	GROUND	BUTT CONNECTOR

CAVITY	CIRCUIT	GA.
A	5	16
B	3	16
C	2	16
D	15	16

CAVITY	CIRCUIT	GA.
A	11	12
B	12	12
C	9	10

CIRCUIT	GA	FUNCTION	TERMINAL
9	16	GROUND	BUTT CONNECTOR
10	16	WORK LIGHT, PYLON	BUTT CONNECTOR

CIRCUIT	GA	FUNCTION
5	16	MARKER/TAIL
9	16	GROUND

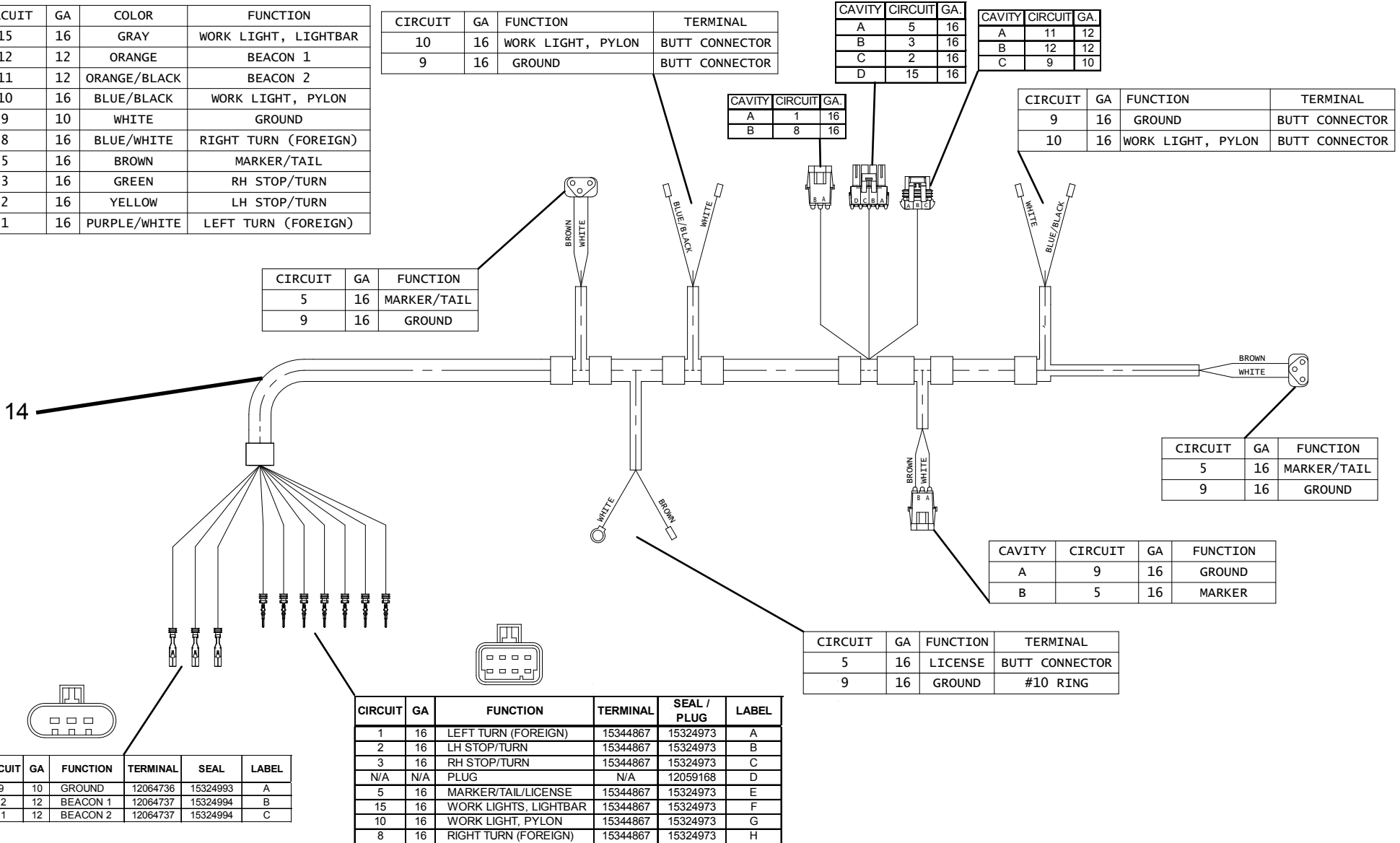
CIRCUIT	GA	FUNCTION
5	16	MARKER/TAIL
9	16	GROUND

CAVITY	CIRCUIT	GA	FUNCTION
A	9	16	GROUND
B	5	16	MARKER

CIRCUIT	GA	FUNCTION	TERMINAL
5	16	LICENSE	BUTT CONNECTOR
9	16	GROUND	#10 RING

CIRCUIT	GA	FUNCTION	TERMINAL	SEAL	LABEL
9	10	GROUND	12064736	15324993	A
12	12	BEACON 1	12064737	15324994	B
11	12	BEACON 2	12064737	15324994	C

CIRCUIT	GA	FUNCTION	TERMINAL	SEAL / PLUG	LABEL
1	16	LEFT TURN (FOREIGN)	15344867	15324973	A
2	16	LH STOP/TURN	15344867	15324973	B
3	16	RH STOP/TURN	15344867	15324973	C
N/A	N/A	PLUG	N/A	12059168	D
5	16	MARKER/TAIL/LICENSE	15344867	15324973	E
15	16	WORK LIGHTS, LIGHTBAR	15344867	15324973	F
10	16	WORK LIGHT, PYLON	15344867	15324973	G
8	16	RIGHT TURN (FOREIGN)	15344867	15324973	H



## LIGHT PYLON INSTALLATION

THIS PAGE INTENTIONALLY LEFT BLANK

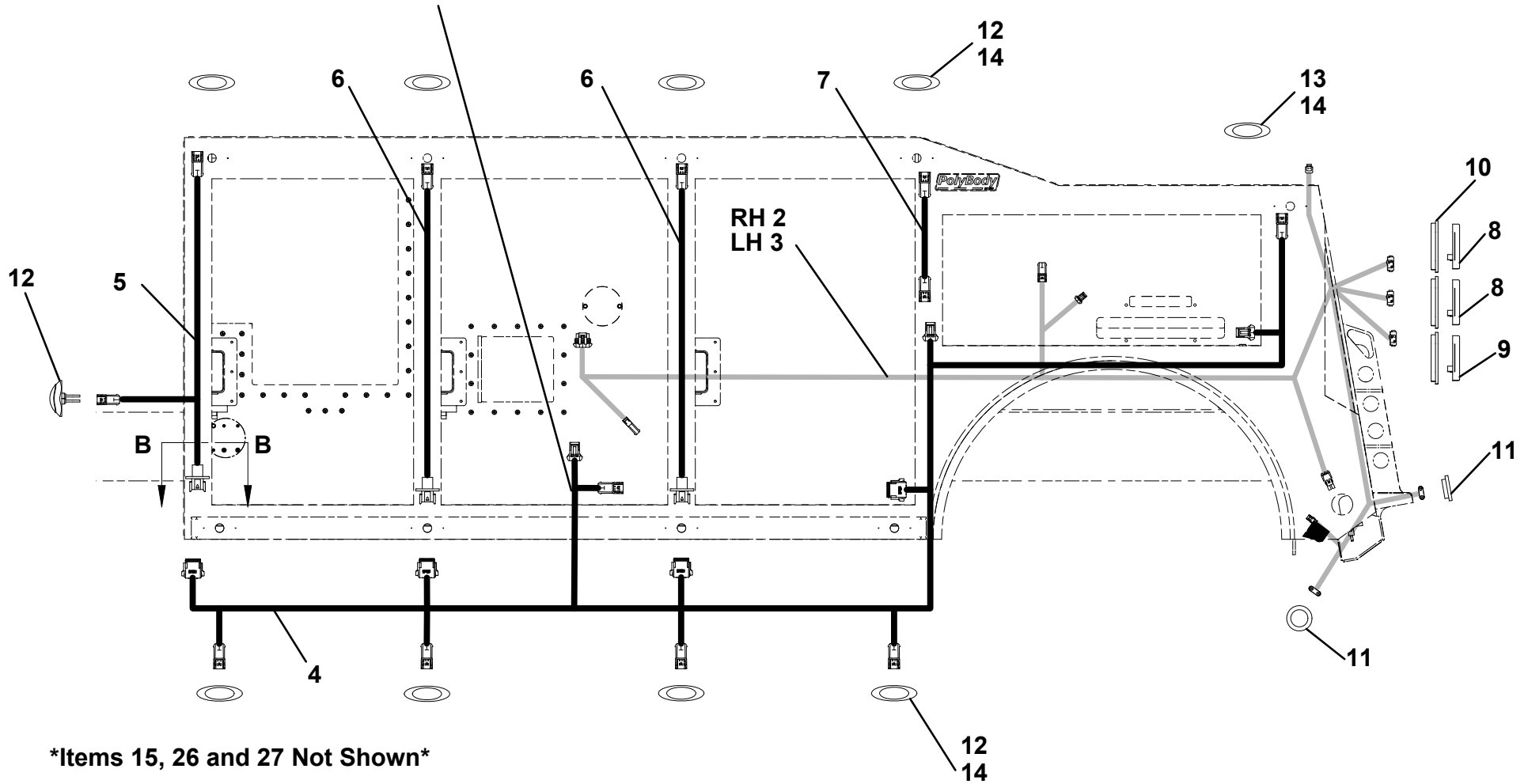
**BODY LIGHT AND WIRING INSTALLATION**

ITEM	PART NO.	DESCRIPTION	QTY
1	1001145388	Harness, Cab To Subframe	1
2	1001145389	Harness, RH Body	1
3	1001141219	Harness, LH Body	1
4	1001141220	Harness, Marker - Cabinet	2
5	1001141221	Harness, Cabinet - 1	2
6	1001141222	Harness, Cabinet - 2	4
7	1001141223	Harness, Cabinet - 3	2
8	7590000284	Light, Red Oval	4
9	7590000317	Light, White Oval	2
10	7493000026	Grommet, Oval	6
11	7590000304	Light, Red Round	4
12	7590000262	Light, Amber LED	18
13	7590000282	Light, Red LED	2
14	7792000001	Screw, #10 x 0.75"	38
15	7346000039	Tubing, 0.25"	48in
16	1001141265	Screw, #14 x 0.75"	2
17	1001141592	Bolt, #8 x 0.50"	32
18	7280000006	Clip, 0.63" Dia.	74
19	1001146735	Rivet, 0.25" x 0.38"	74
20	7590000185	Light, Round Rubber Work	2
21	1001145499	Breaker, 60 Amp	1
22	1001117106	Terminal, 0.25"	2
23	8977540200	Wire, #8 Ga	7ft
24	8594100003	Wire Loom, 0.38" ID	7ft
25	8220164	Terminal, 0.38"	1
26	7894000031	Cable Tie, 15in	15
27	8597650002	Wire, 0.25"	4ft
28	1001145387	Harness, Headboard to Cab	1

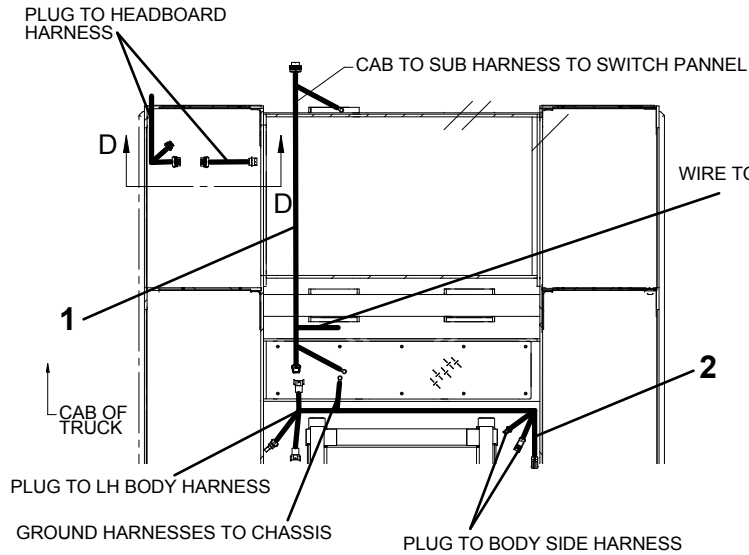


# BODY LIGHT AND WIRING INSTALLATION

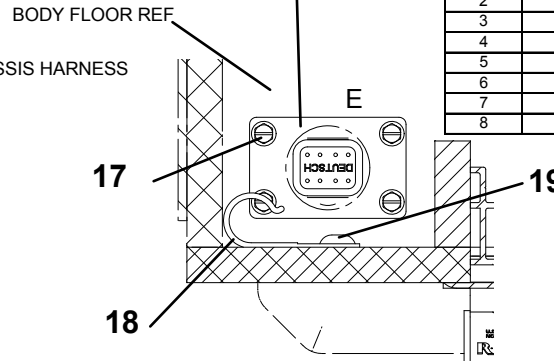
ROUTE HARNESS ACROSS BOTTOM TO BACK SIDE OF BODY SIDE AND PLUG INTO LH AND RH BODY HARNESSES (TYP BOTH SIDES OF TRUCK)



## BODY LIGHT AND WIRING INSTALLATION

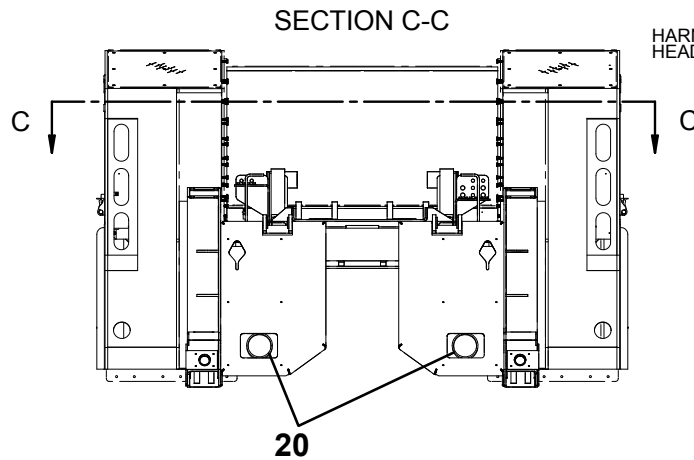
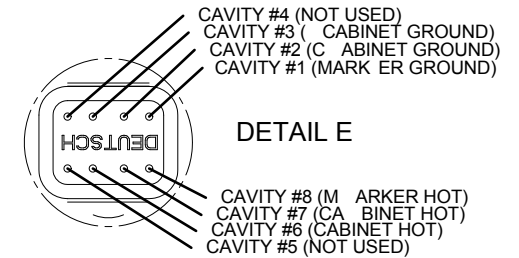


BULKHEAD CONNECTOR ON ITEMS #5, #6, AND #7

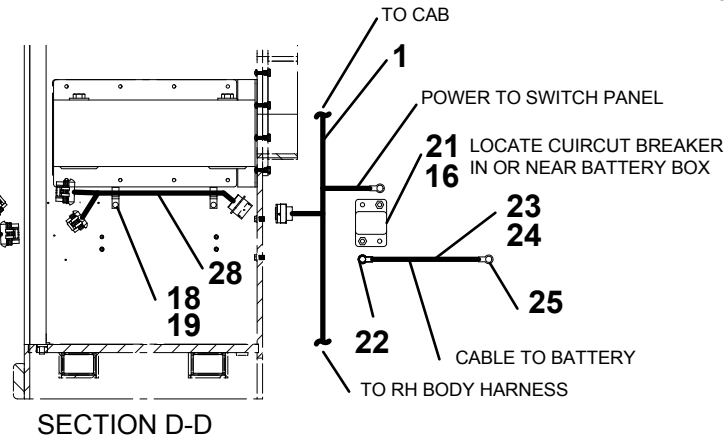


SECTION B-B  
VIEW TYPICAL 8 PLACES

PLUG TO CABINET HARNESS			
8 WAY PIN LOCATIONS			
CAVITY	CIRCUIT	GA	FUNCTION
1	9	16	GROUND
2	9	16	GROUND (BLACK WIRE FROM CABINET LIGHT)
3	9	16	GROUND (BLACK WIRE FROM CABINET LIGHT)
4			PLUG
5			PLUG
6	6	16	CABINET LIGHTS (RED WIRE FROM CABINET LIGHT)
7	6	16	CABINET LIGHTS (RED WIRE FROM CABINET LIGHT)
8	5	16	MARKER / TAIL



HARNESS TO HEADBOARD



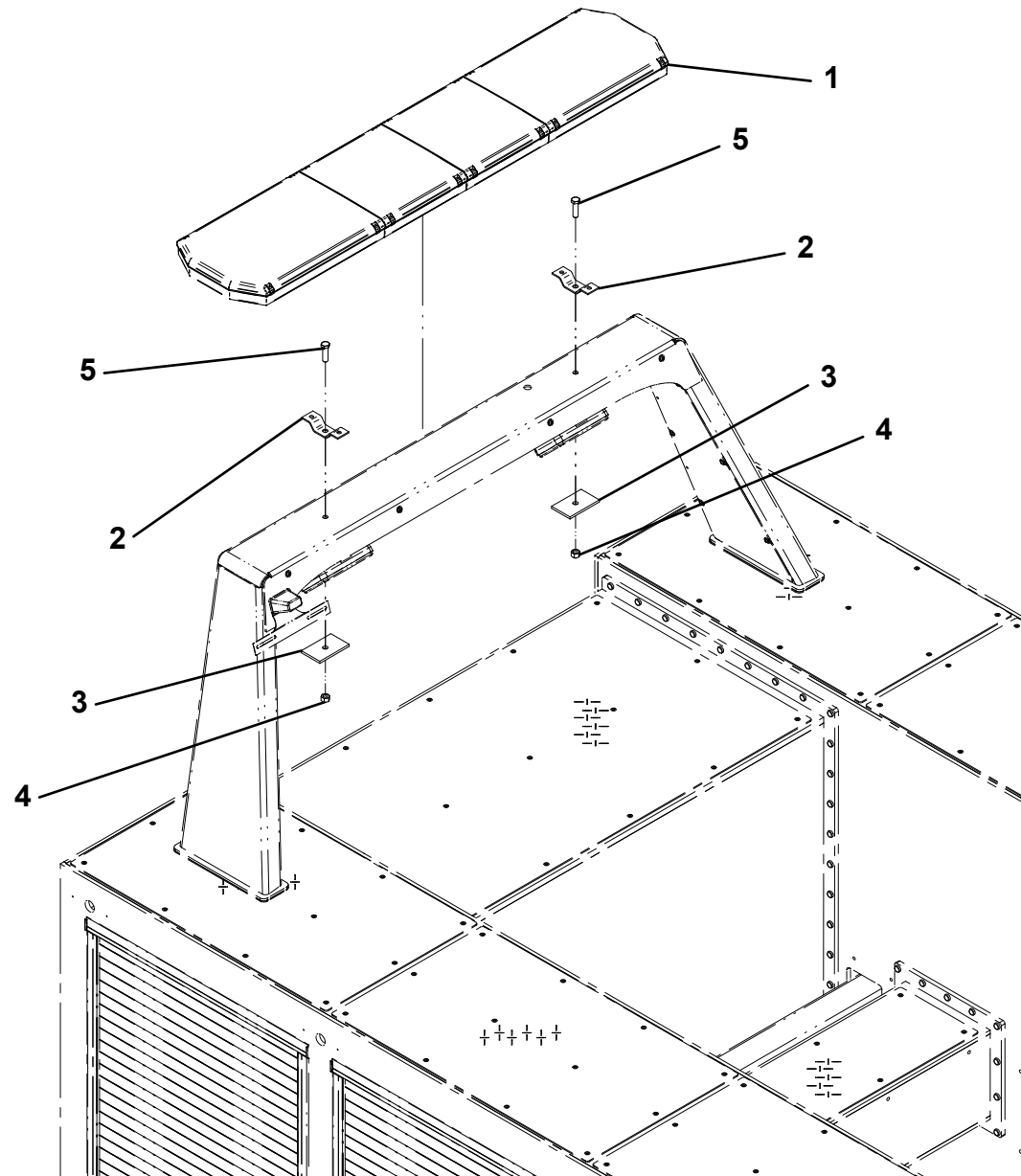
## BODY LIGHT AND WIRING INSTALLATION

THIS PAGE INTENTIONALLY LEFT BLANK

**LIGHTBAR INSTALLATION**

ITEM	PART NO.	DESCRIPTION	QTY
1	1001136990	Lamp, 58" Code 3 LED	1
	1001129872	Lamp, 60" Whelen LED	1
2	4178000402	Bracket	2
3	4706001478	Plate	2
4	7660182601	Locknut, 0.50"-13NC	2
5	7115181450	Capscrew, 0.50"-13NC x 1.75"	2
6	7346000039	Tube, 0.25" Dia.	0.12ft

# LIGHTBAR INSTALLATION

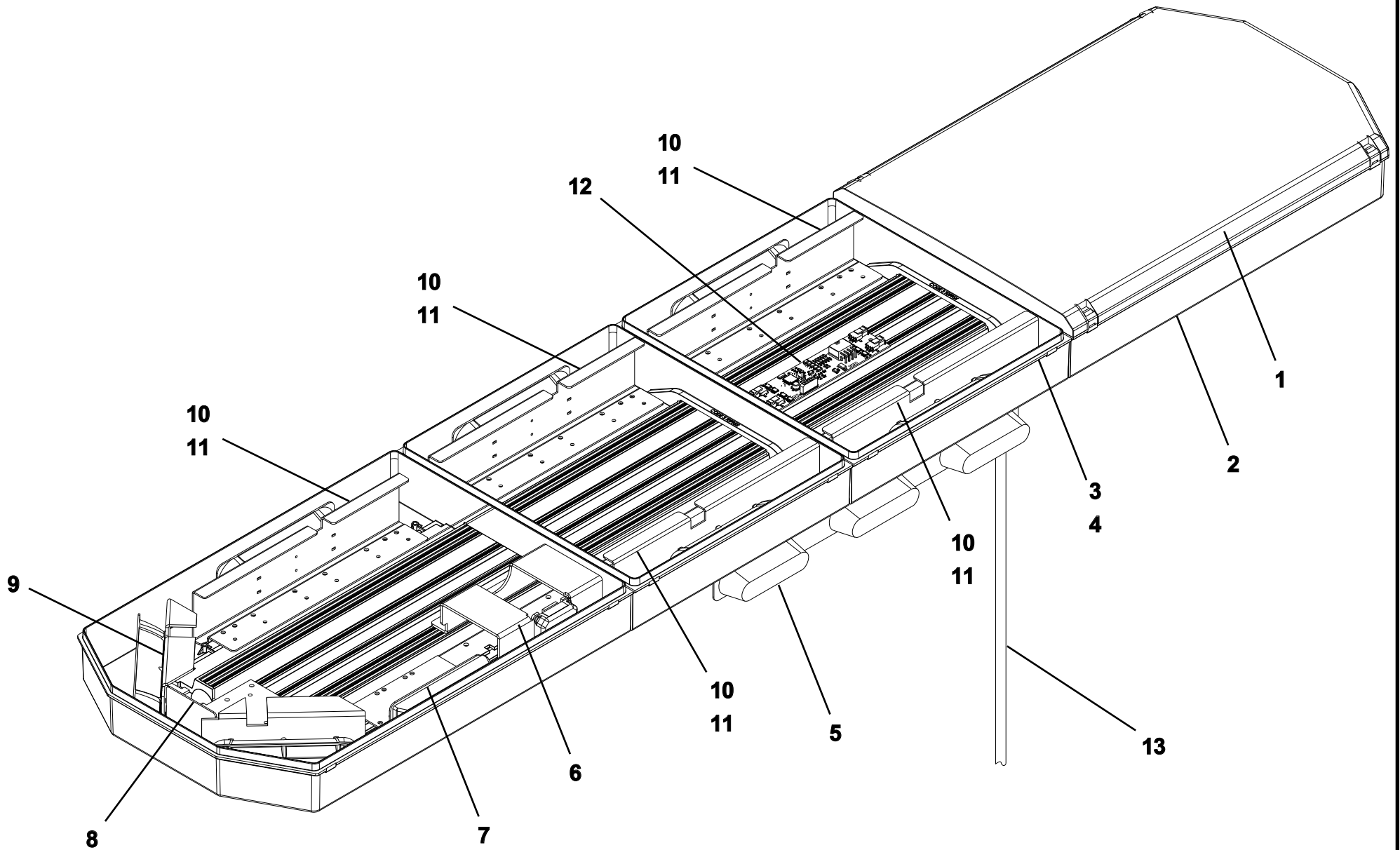


\*Item 6 Not Shown\*

**LIGHTBAR - CODE 3 - 1001136990**

ITEM	PART NO.	DESCRIPTION	QTY
1	9590310197	Lens, Clear Upper Outboard	2
2	9590310200	Lens, Clear Lower Outboard	2
3	9590310203	Lens, Clear Lower Center	2
4	9590310195	Lens, Clear Upper Center	2
5	1001126269	3 Light D.O. T. Strip	1
6	70050164	Worklight, LED	2
7	1001130702	Module, LED Stop/Tail/Turn	2
8	70050166	Bracket, Blank	4
9	9590310206	Module, Corner LED Amber & Bracket	4
10	9590310205	Module, LED Amber	6
11	9590310202	Bracket, Mounting	6
12	70050167	Controller, General	1
13	70050165	Cable, Jerr-Dan 9 Wire	1

**LIGHTBAR - CODE 3 - 1001136990**



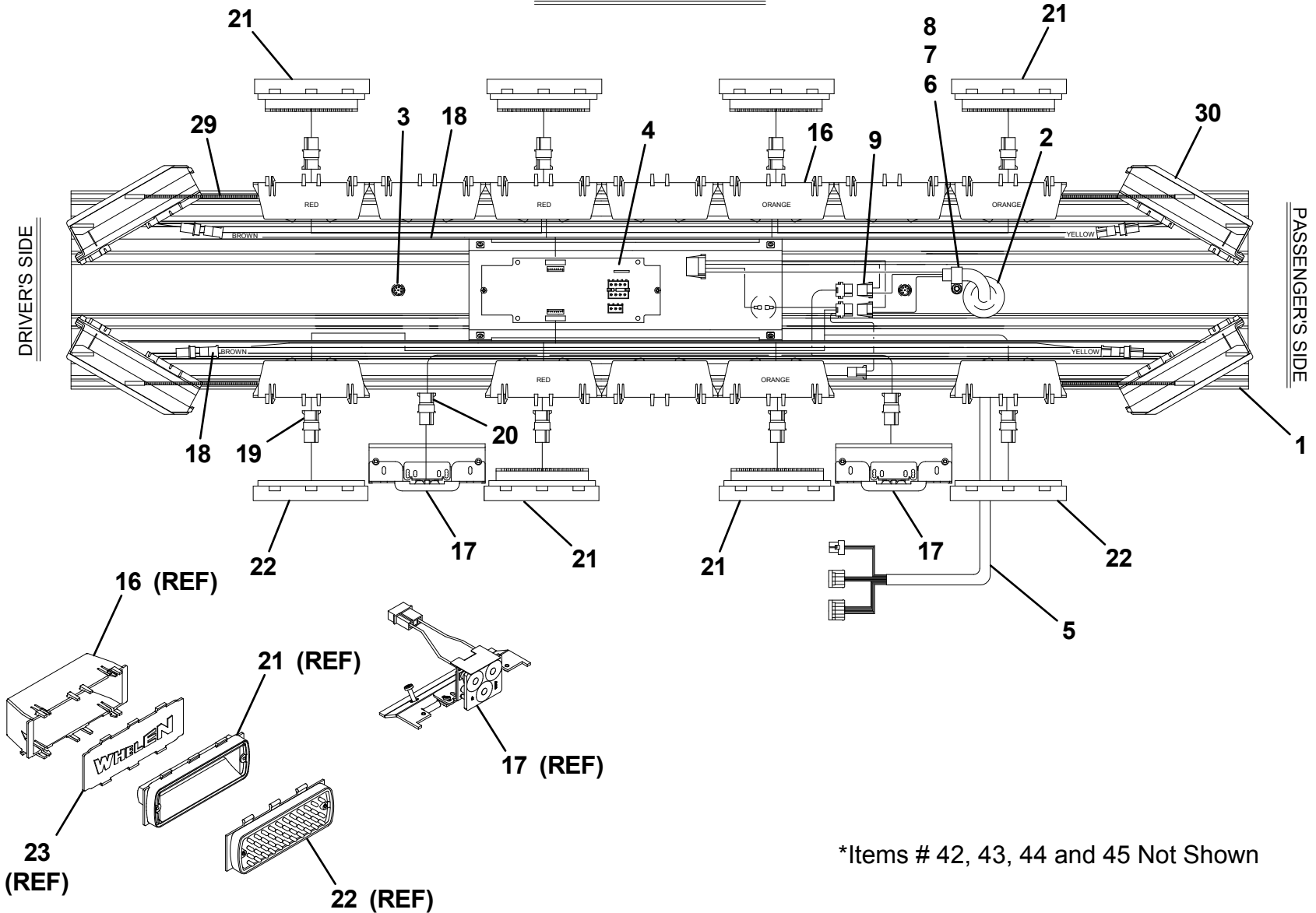
**LIGHTBAR - WHELEN - 1001129872**

ITEM	PART NO.	DESCRIPTION	QTY	ITEM	PART NO.	DESCRIPTION	QTY
1	70050168	Base	1	40	70050206	Label, Jerr-Dan Logo	1
2	70050169	Grommet	1	41	70050207	Label, Model & Serial Number	1
3	70050170	Plug, Vent	2	42	70050208	Assembly, Housing	1
4	70050163	Assembly, HC I/O Liberty	1	43	70050209	Connector	1
5	70050171	Cable, 9-Wire	1	44	70050210	Housing, Lock	1
6	70050172	Screw, #10-24NC x 1.00"	1	45	70050211	Housing	1
7	70050173	Clamp, Cable	1				
8	70050174	Wiz Nut, #10-24NC	1				
9	70050175	Housing, 6-Position Socket	2				
10	70050176	Grommet	1				
11	70050177	Subassembly, ICC Light Cluster	1				
12	70050178	Harness, ICC Light	1				
13	70050179	Screw, #10-24NC x 0.50"	2				
14	70050180	Lockwasher, #10 ID	2				
15	70050181	Housing	1				
16	70050182	Housing, Lighthouse	12				
17	70050183	Subassembly, LR11 TD Single	2				
18	70050184	Harness	2				
19	70050185	Harness, Brake/Tail/Turn	1				
20	70050186	Harness, Take Down/Work	1				
21	70050187	Subassembly, 500 4-LED Amber	6				
22	70050188	Assembly, 500 BTT Max	2				
23	70050189	Panel, Filler	4				
24	70050190	Subassembly, End Support Bracket	2				
25	70050191	Insulator, Foam Pad	1				
26	70050192	Label, Wiring Schematic	1				
27	70050193	Top, Extruded	1				
28	70050194	Screw, #10-24NC x 0.38"	4				
29	70050195	Spacer, Corner	4				
30	70050196	Assembly, Corner 9-LED Amber	4				
31	70050197	Spacer, Corner Retention	4				
32	70050198	Lens, Clear Optic Center	2				
33	70050199	Lens, Clear-15.80"	4				
34	70050200	Lens, Clear-8.38"	4				
35	70050201	Assembly, Lens Divider	8				
36	70050202	Subassembly, End Cap Clear	2				
37	70050203	Screw, #10-24NC x 1.25"	8				
38	70050204	Kit, Rotational Mtg. Adapter	2				
39	70050205	Label, "Front" Lightbar Assembly	1				

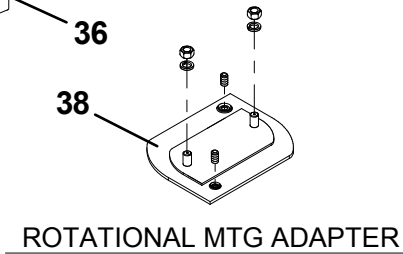
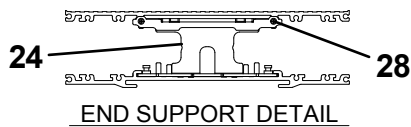
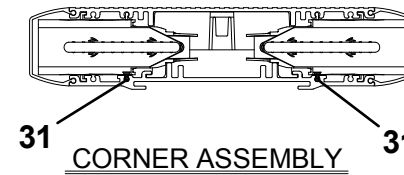
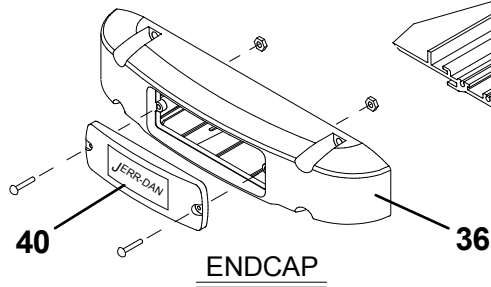
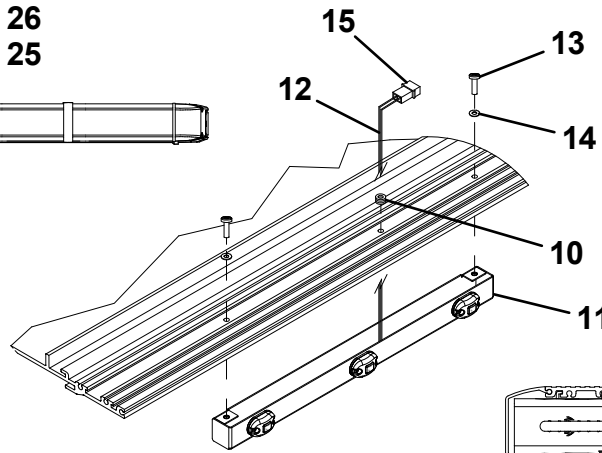
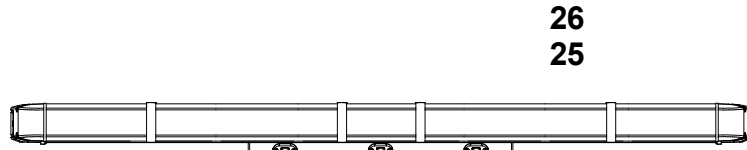
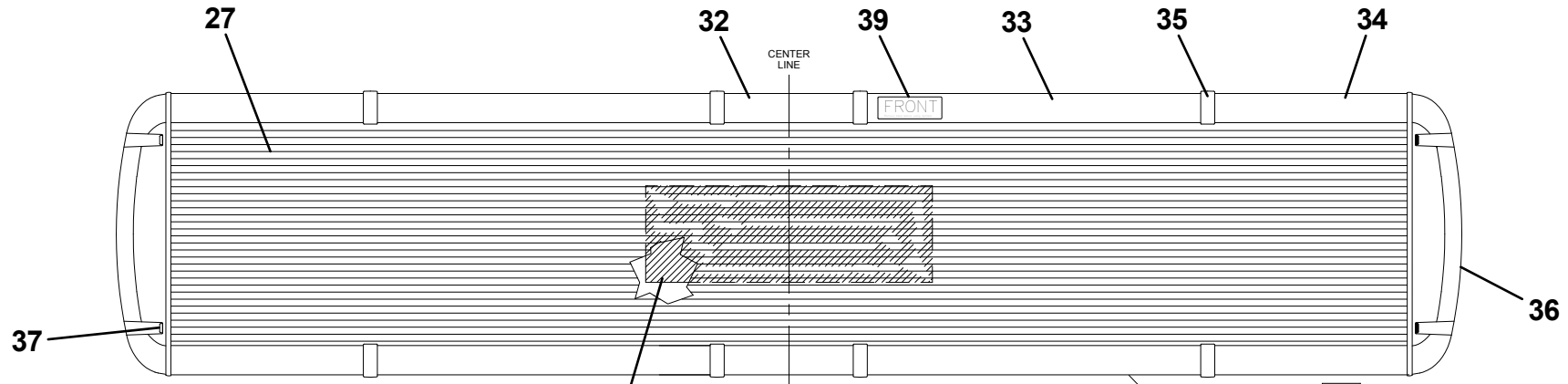


# LIGHTBAR - WHELEN - 1001129872

FRONT OF LIGHTBAR



**LIGHTBAR - WHELEN - 1001129872**



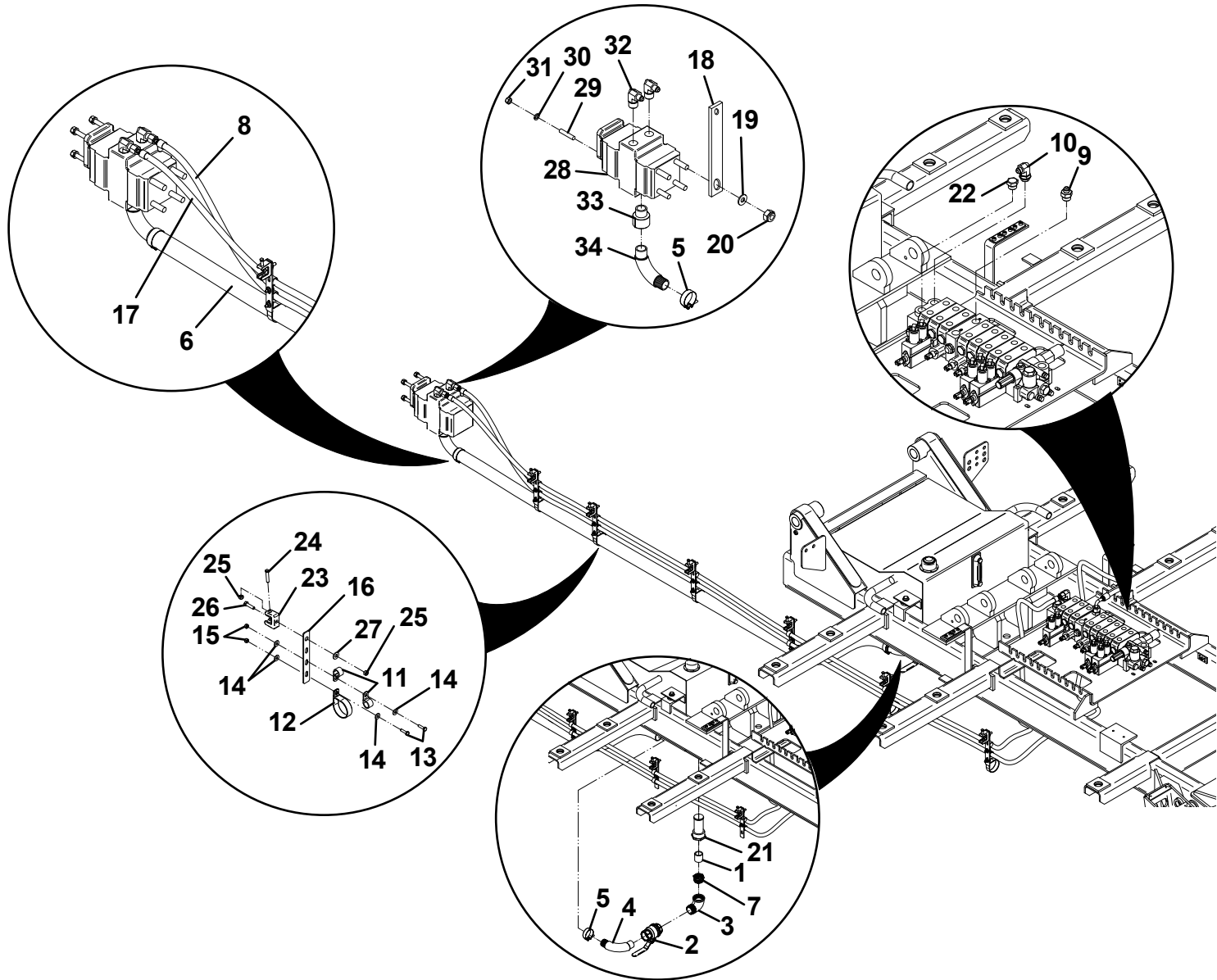
**LIGHTBAR - WHELEN - 1001129872**

**THIS PAGE INTENTIONALLY LEFT BLANK**

**SUPPLY PRESSURE AND RETURN ASSEMBLY**

ITEM	PART NO.	DESCRIPTION	QTY
1	7650100137	Pipe Nipple	1
2	7935000116	Ball Valve	1
3	7444121271	Elbow, 1.50"	1
4	7443000254	Fitting	2
5	7274000028	Clamp	2
6	8565000026	Hose	12ft
7	7444121050	Reducer Bushing	1
8	4567132156	Hose	1
9	7445081243	Adapter	1
10	7445081245	Elbow	1
11	7247000040	Clamp	20
12	7274000071	Clamp	10
13	7115140850	Capscrew, 0.25"-20NC x 1.00"	20
14	7950140152	Washer, 0.25" ID	20
15	7660142601	Locknut, 0.25"-20NC	20
16	4706003844	Plate	10
17	4567130155	Hose	1
18	4178000349	Bracket	1
19	7950200161	Flatwasher, 0.63" ID	5
20	7660202601	Locknut, 0.63"-11NC	1
21	7430000010	In-Tank Filter	1
22	7443000441	Fitting	1
23	7274000076	Clamp	10
24	7785152420	Setscrew, 0.31"-18NC x 1.50"	10
25	7660152601	Locknut, 0.31"-18NC	20
26	7115151050	Capscrew, 0.31"-18NC x 1.25"	10
27	7950150161	Flatwasher, 0.31" ID	10
28	7724000024	Pump (CCW Rotation)	1
	7724000153	Pump (CW Rotation)	1
29	7865182065	Stud, 0.50"-13NC x 2.50"	4
30	7950180000	Lockwasher, 0.50" ID	4
31	7660180000	Nut, 0.50"-13NC	4
32	7445081645	Elbow	2
33	7445242403	Adapter	1
34	7443000254	Fitting	1

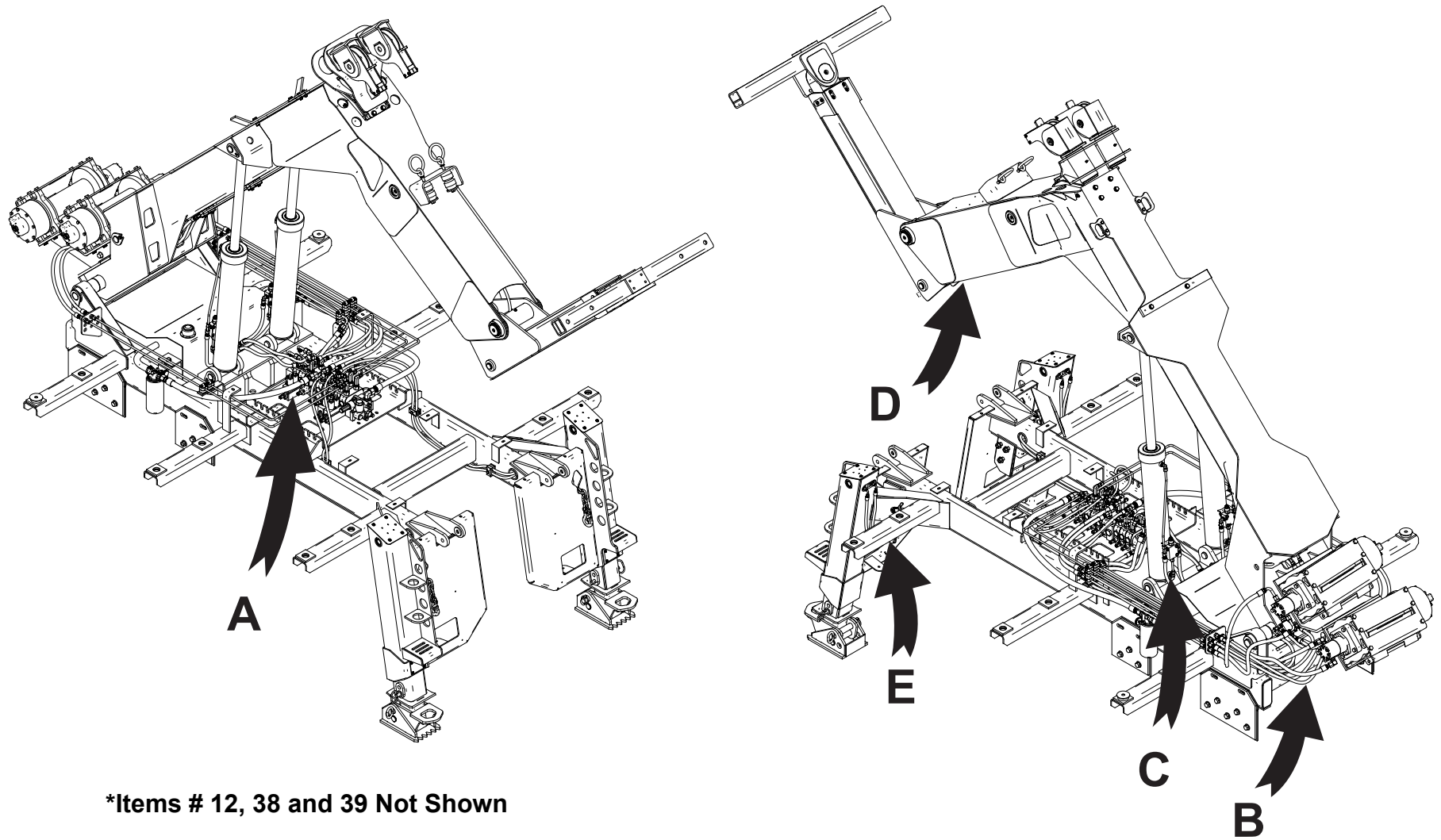
# SUPPLY PRESSURE AND RETURN ASSEMBLY



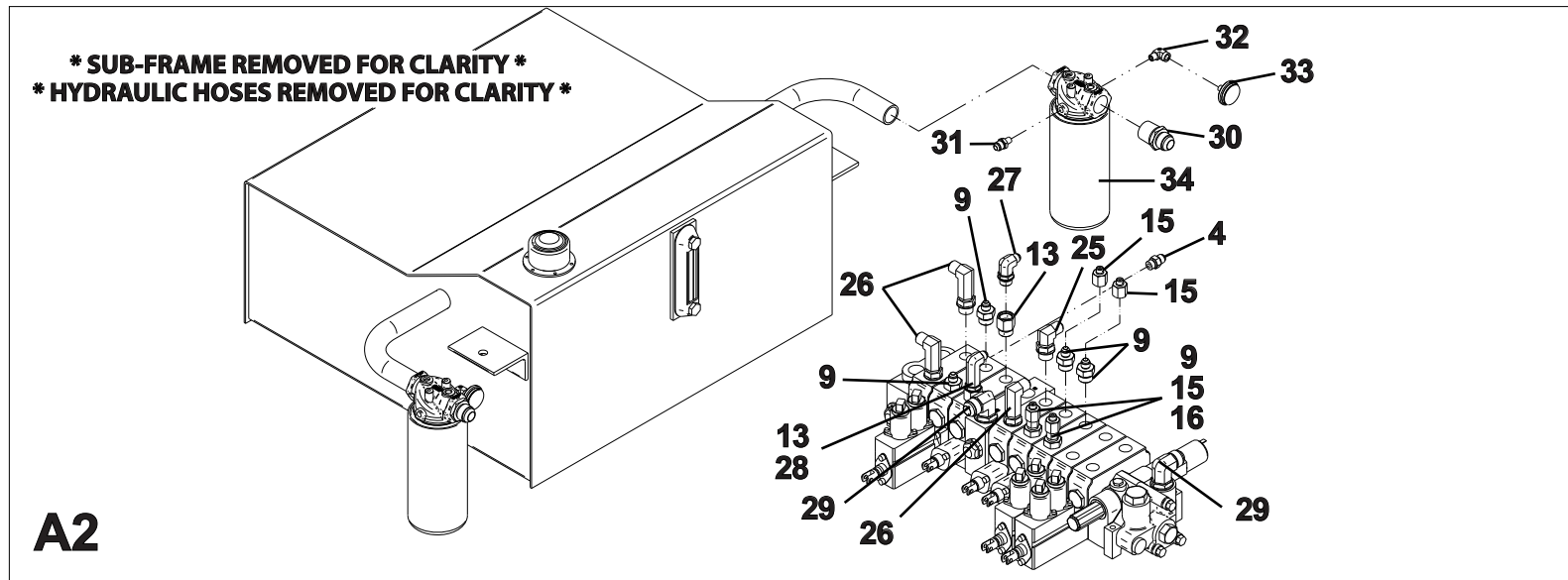
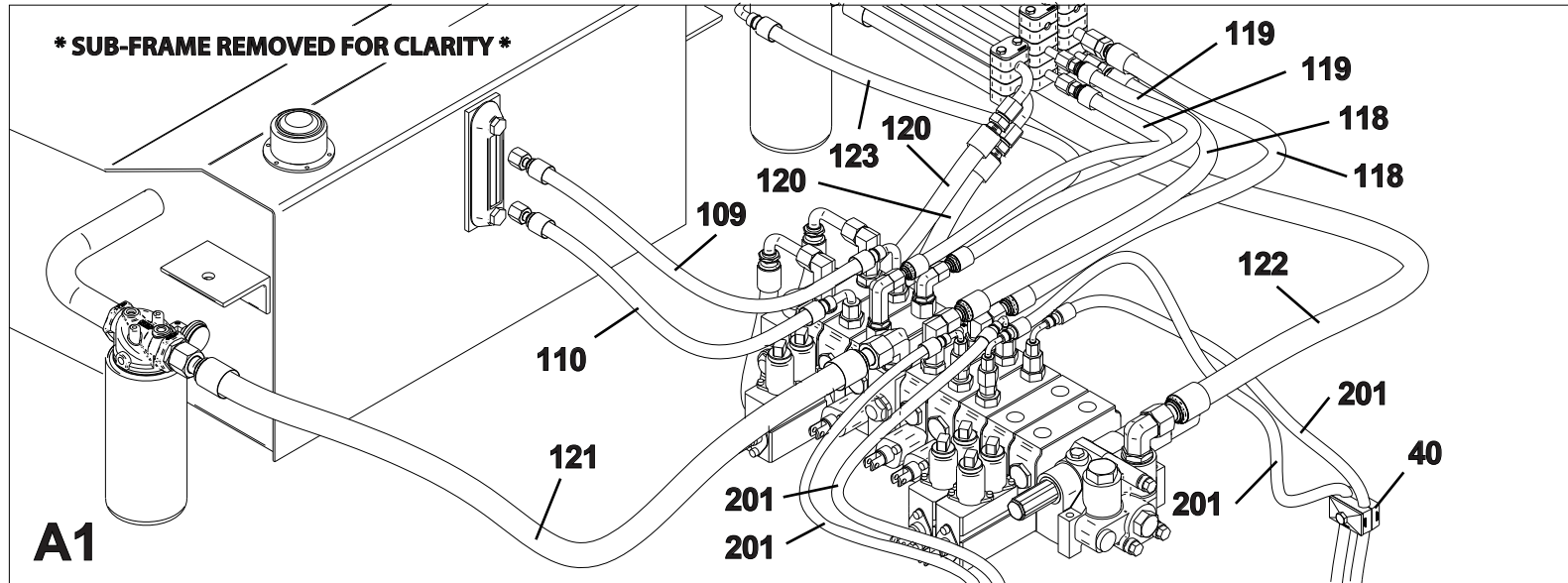
## HYDRAULIC LINES AND FITTINGS

ITEM	PART NO.	DESCRIPTION	QTY	ITEM	PART NO.	DESCRIPTION	QTY
1	7445080843	Adapter	2	40	1001136447	Clamp	4
2	7445060645	Elbow	12	41	7577000683^	Hydraulic Spade Hose Kit	1
3	7445060646	Elbow	1			<b>Hydraulic Hose Kit - 7577000682</b>	
4	7445060643	Adapter	6	101	4567133026*	Hose Assembly	1
5	7935000308	Valve	4	102	4567132026*	Hose Assembly	1
6	7115151650	Capscrew, 0.31"-18NC x 2.00"	10	103	4567132026*	Hose Assembly	1
7	7660152601	Locknut, 0.31"-18NC	12	104	4567130032*	Hose Assembly	1
8	7950150161	Flatwasher, 0.31" ID	10	105	4567122032*	Hose Assembly	1
9	7445061043	Adapter	6	106	4567120035*	Hose Assembly	1
10	7445060637	Union	2	107	4567122038*	Hose Assembly	1
11	7445060647	Tee	3	108	4567122033*	Hose Assembly	1
12	7445040446	Elbow	2	109	4567123029*	Hose Assembly	1
13	7443000241	Fitting	2	110	4567122027*	Hose Assembly	1
14	7445040643	Adapter	2	111	4567120017*	Hose Assembly	2
15	7445060439	Reducer	4	112	4567120021*	Hose Assembly	2
16	7443000108	Restrictor	2	113	4569121072*	Hose Assembly	2
17	7935000307	Valve	2	114	4569121073*	Hose Assembly	2
18	7445040443	Adapter	4	115	4567110046*	Hose Assembly	2
19	7445040645	Elbow	8	116	4569121032*	Hose Assembly	3
20	7935000309	Valve	1	117	4569121034*	Hose Assembly	1
21	7118151623	Capscrew, 0.31"-18NC x 2.00"	2	118	4569140031*	Hose Assembly	2
22	4706004511	Plate	1	119	4569120025*	Hose Assembly	2
23	7115151250	Capscrew, 0.31"-18NC x 1.50"	2	120	4569143023*	Hose Assembly	2
24	7445060648	Tee	1	121	4567160042*	Hose Assembly	1
25	7445081045	Elbow	1	122	4567160053*	Hose Assembly	1
26	7443000240	Fitting	3	123	4567122035*	Hose Assembly	1
27	7445060845	Elbow	1			<b>Hydraulic Tube Kit - 1001127064</b>	
28	7443000231	Fitting	1	201	4567112074^	Hose Assembly	4
29	7445121245	Elbow	2	202	4567112023^	Hose Assembly	4
30	7445121619	Adapter	2			<b>Hydraulic Hose Kit - 7577000683</b>	
31	7445060219	Adapter	1	301	1001127060#	Tube Assembly	2
32	7443000158	Fitting	2	302	7912000078#	Tube Assembly	3
33	7470000002	Oil Filter Gauge	2	303	7912000175#	Tube Assembly	1
34	7430000004	Oil Filter Assembly	2				
35	7577000682*	Hydraulic Hose Kit	1				
36	1001127064#	Hydraulic Tube Kit	1				
37	7445080845	Elbow	2				
38	7819000005	Nylon Hose Sleeve, 6.00'	2				
39	5526000553	Tie Strap	12				

# HYDRAULIC LINES AND FITTINGS



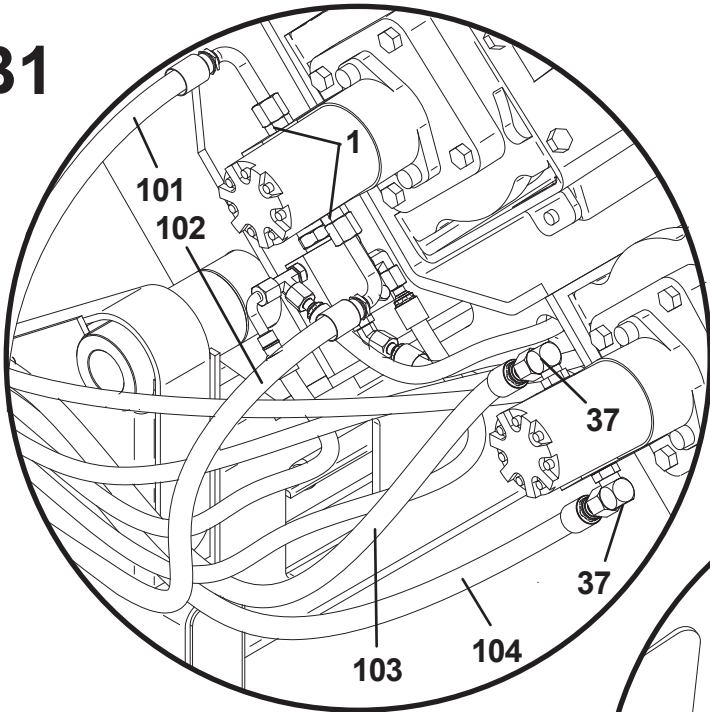
\*Items # 12, 38 and 39 Not Shown

**HYDRAULIC LINES AND FITTINGS**

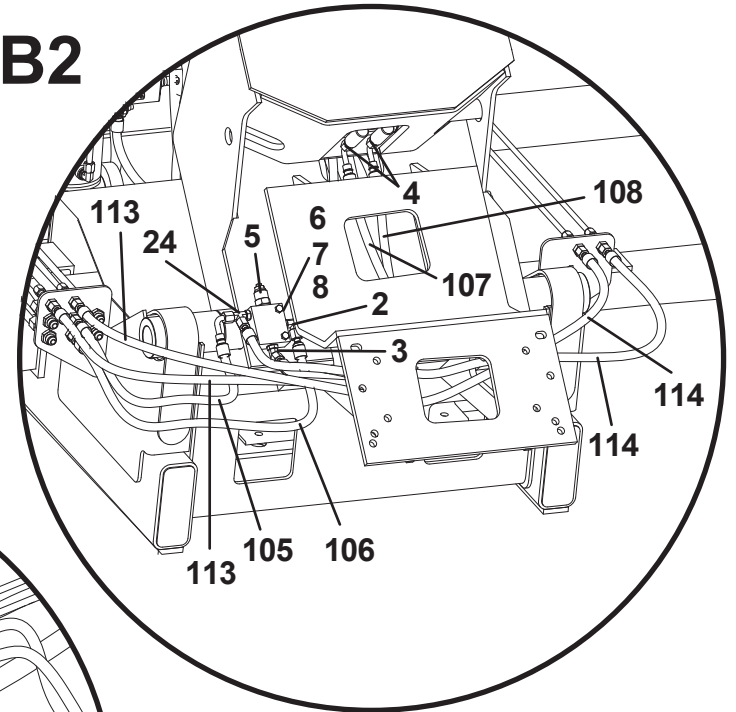


# HYDRAULIC LINES AND FITTINGS

**B1**

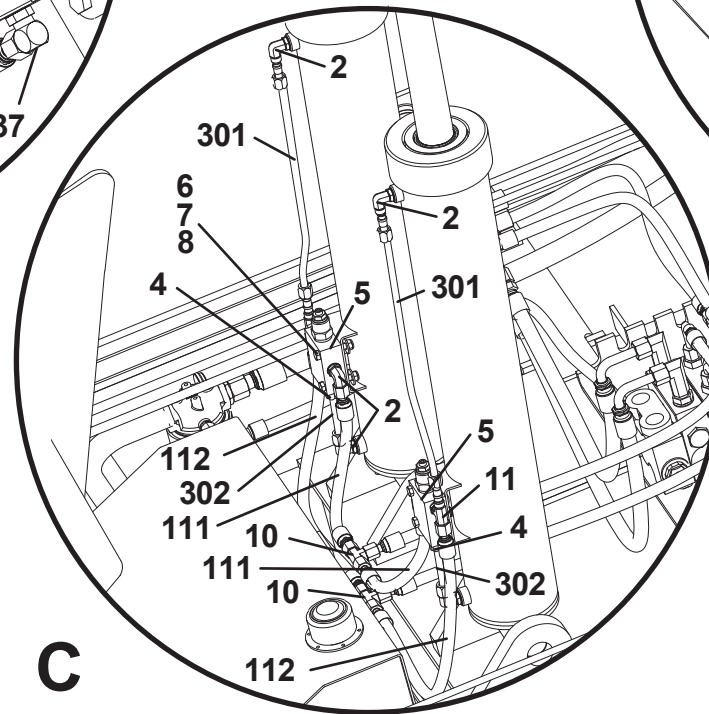


**B2**



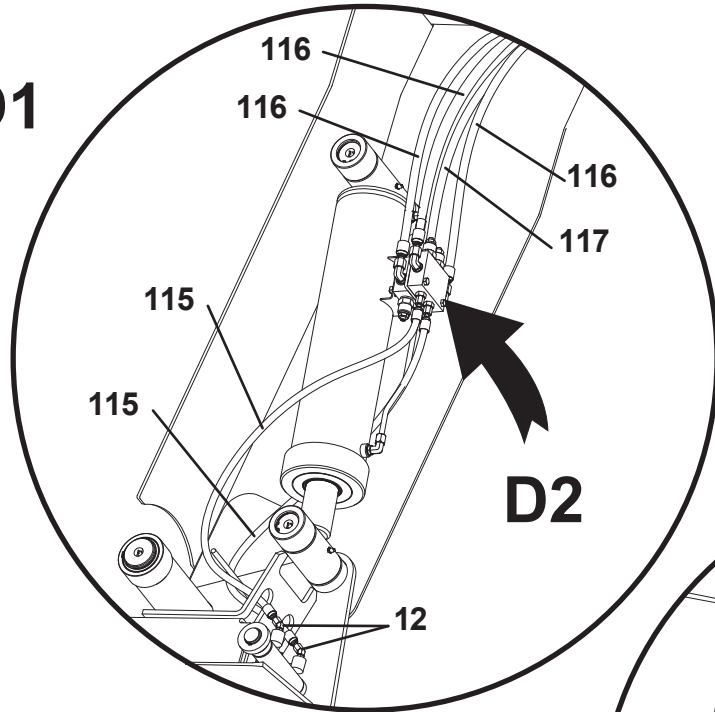
**\*WINCHES REMOVED FOR CLARITY\***

**C**

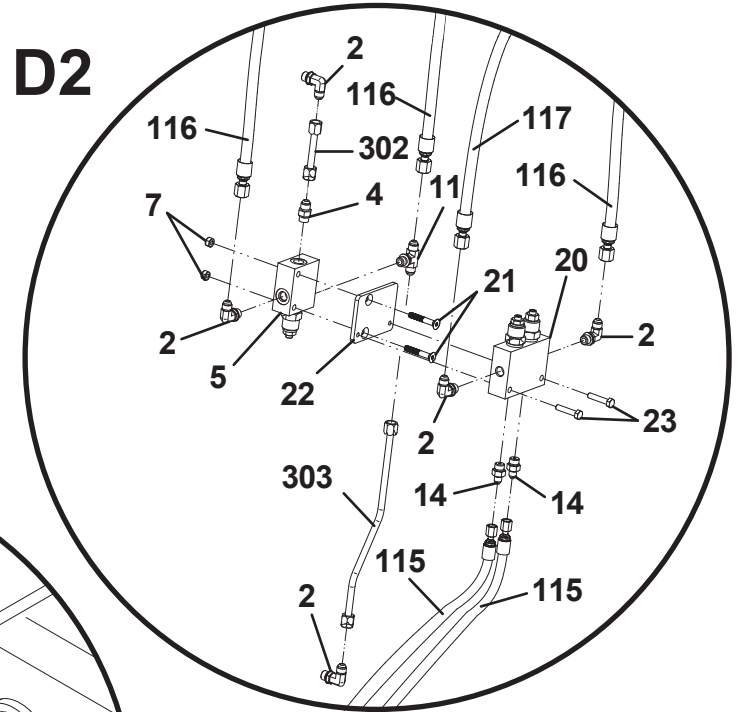


**HYDRAULIC LINES AND FITTINGS**

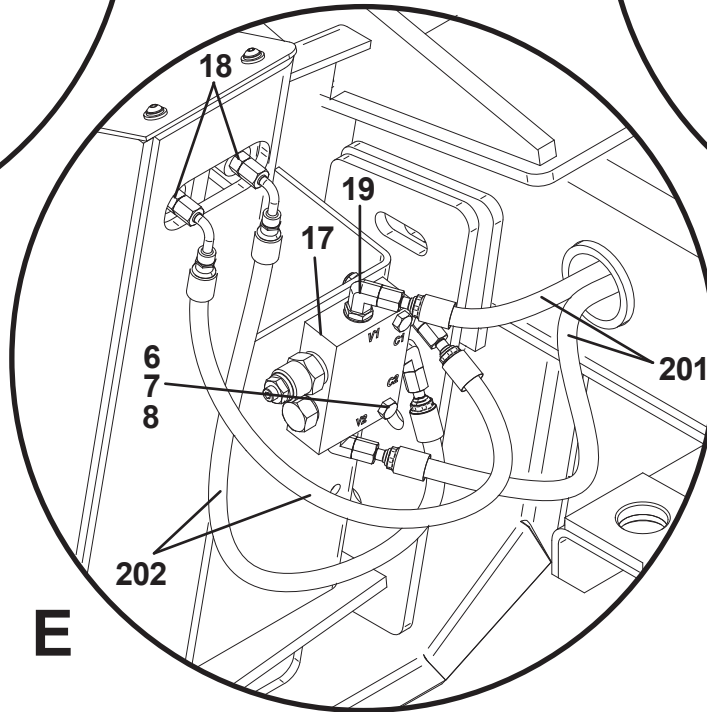
**D1**



**D2**

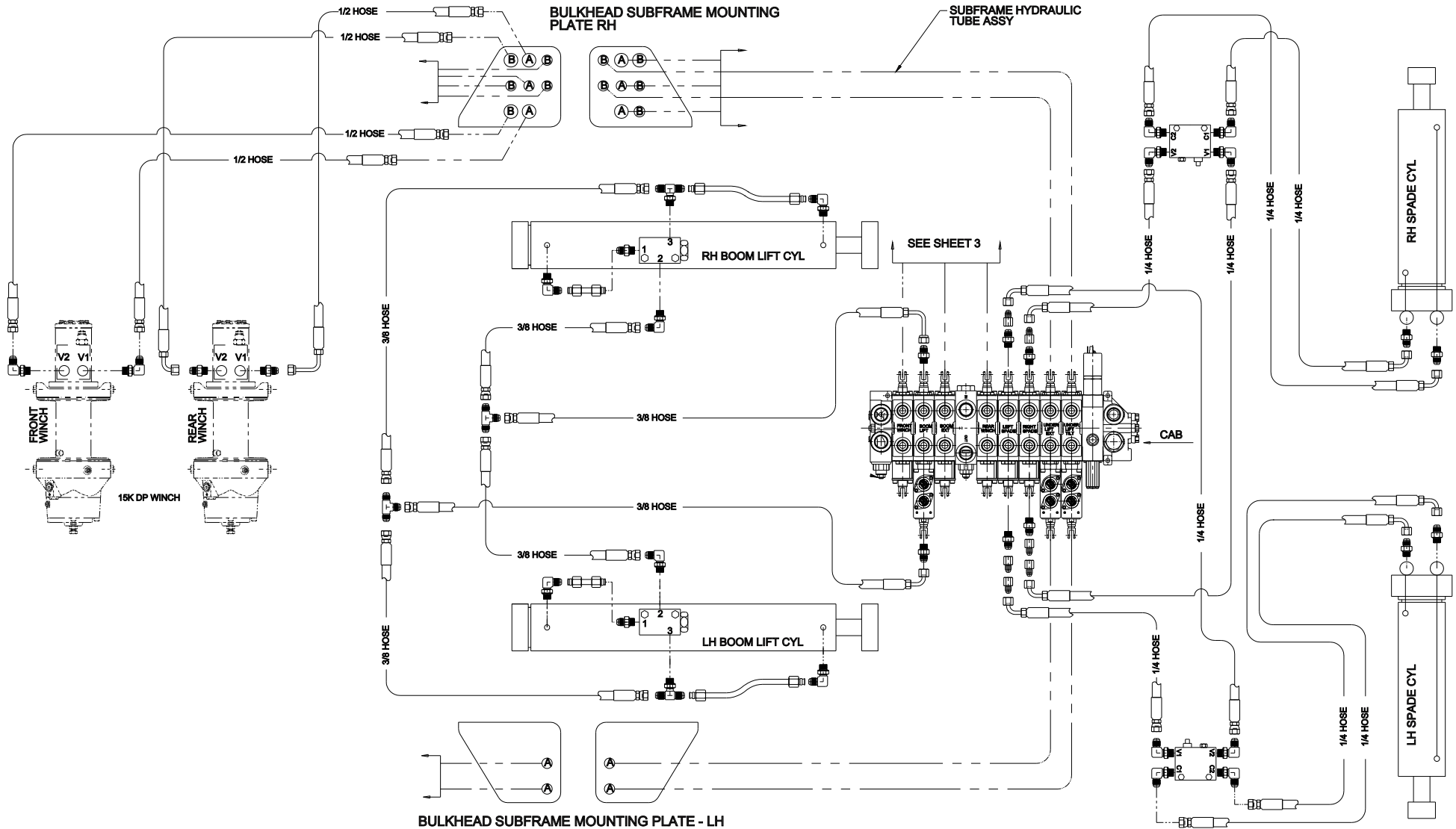


**\*SIDE AND REAR PLATE REMOVED FOR CLARITY\***

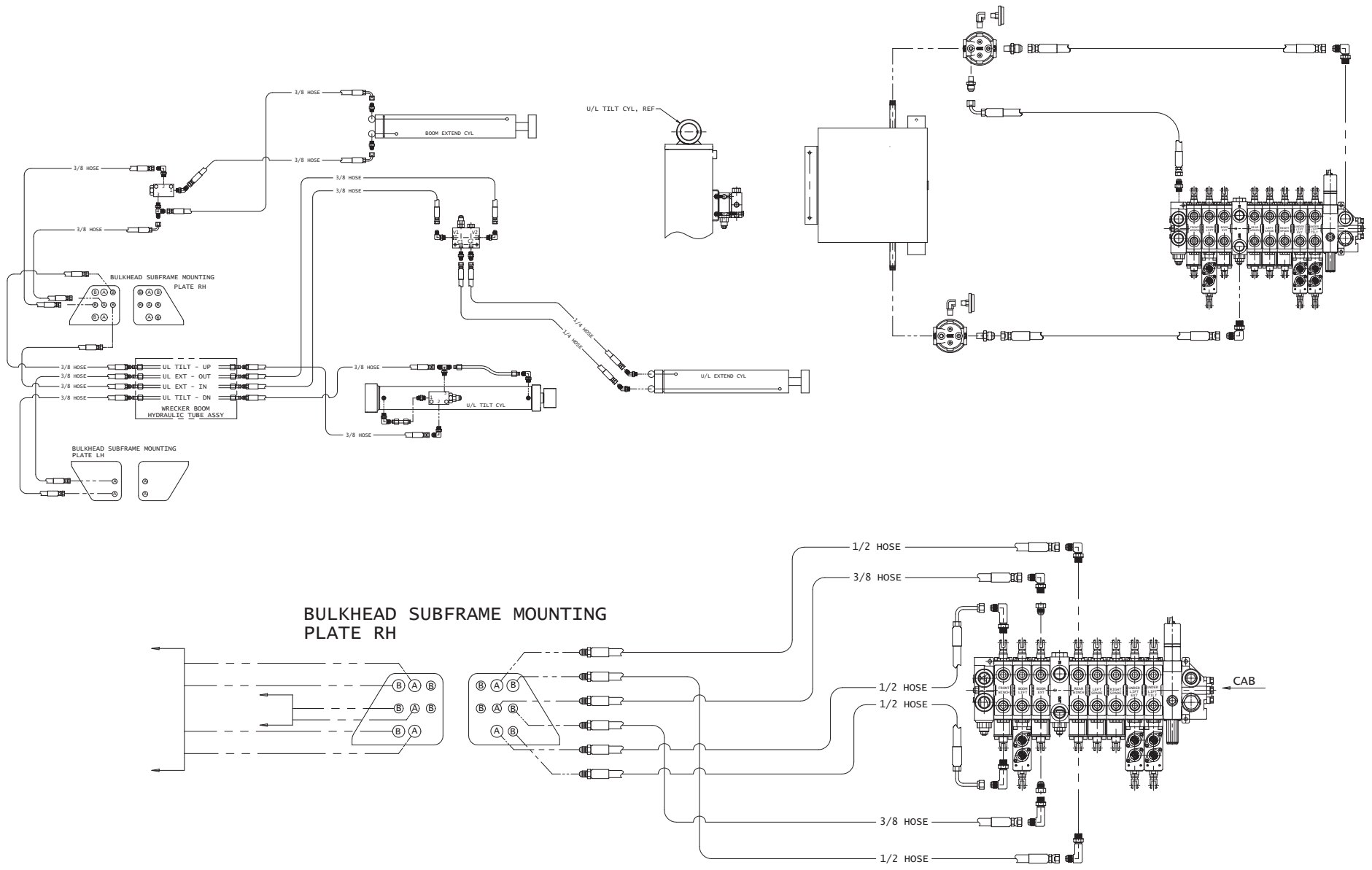


**E**

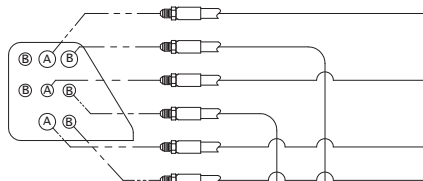
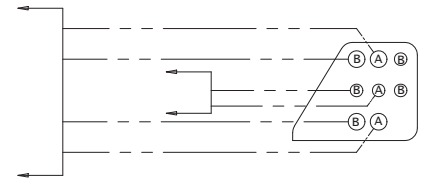
# HYDRAULIC LINES AND FITTINGS



# HYDRAULIC LINES AND FITTINGS



**BULKHEAD SUBFRAME MOUNTING PLATE RH**



CAB

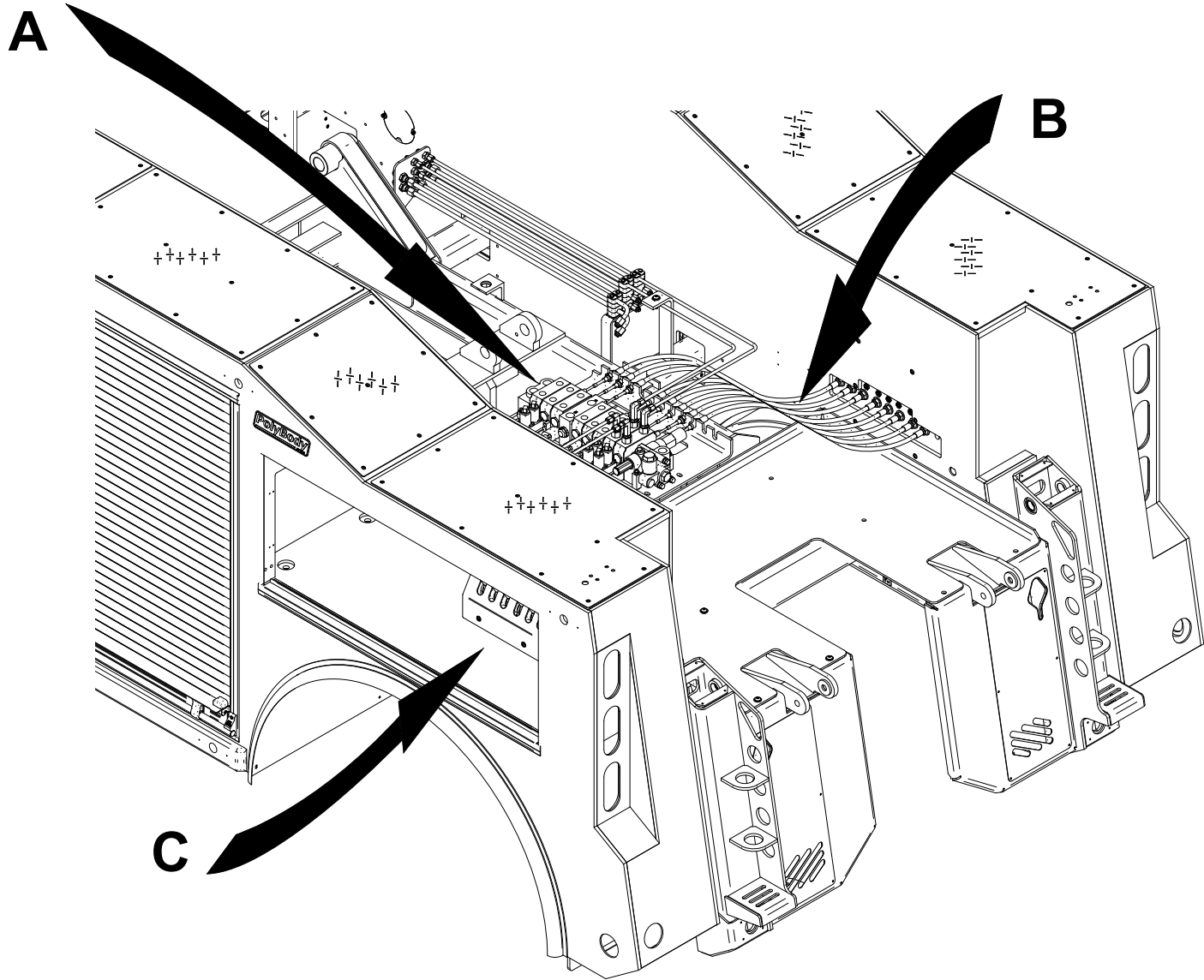
## HYDRAULIC LINES AND FITTINGS

THIS PAGE INTENTIONALLY LEFT BLANK

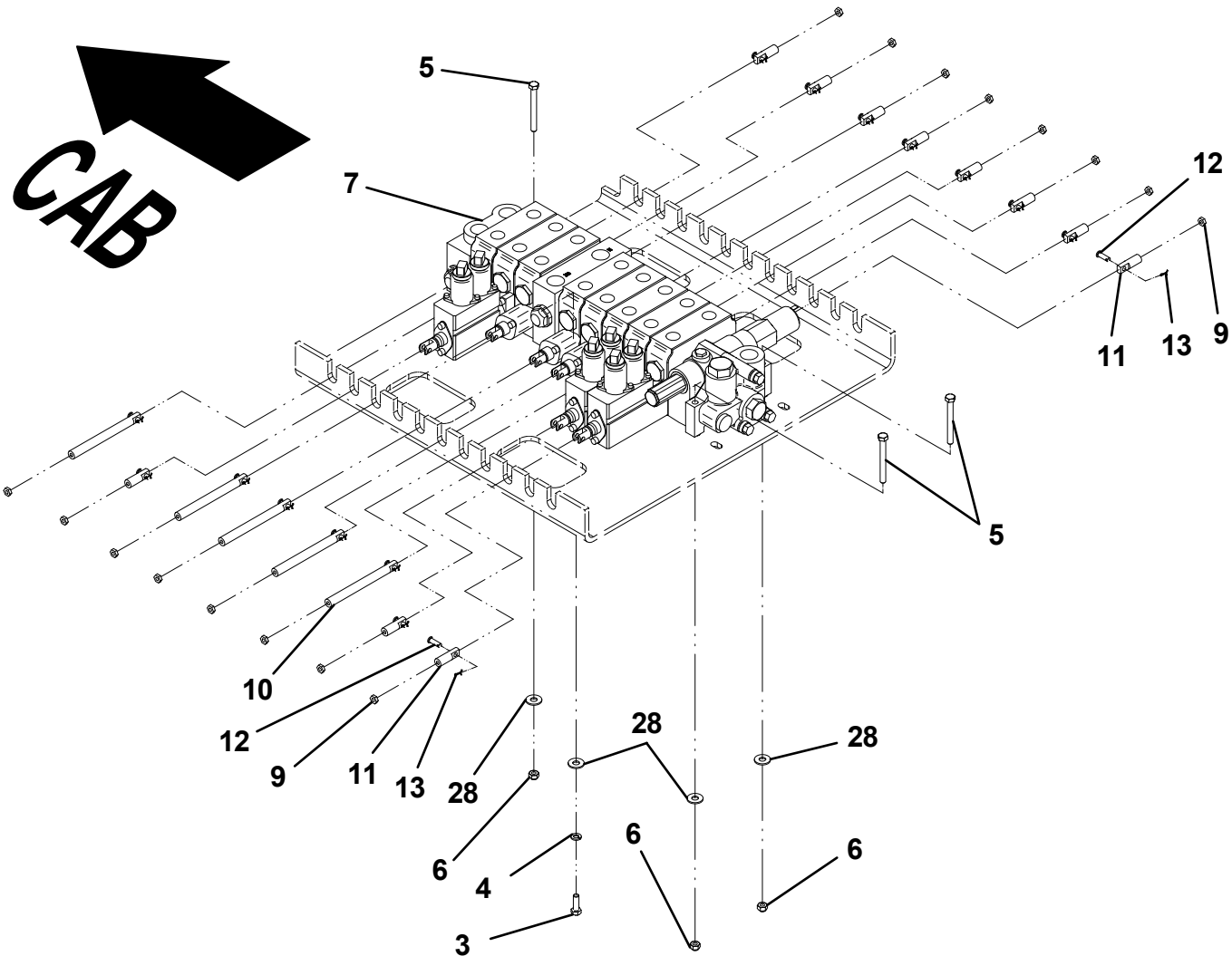
**CONTROLS AND VALVE ASSEMBLY**

ITEM	PART NO.	DESCRIPTION	QTY
1	1001140254	Plate, LH	1
2	1001140258	Plate, RH	1
3	7115150850	Capscrew, 0.31"-18NC X 1.00"	1
4	7950150000	Washer, 0.31" ID	1
5	7115152450	Capscrew, 0.31"-18NC X 3.00"	3
6	7660152601	Locknut, 0.31"-18NC	3
7	7935000293	Valve Assembly	1
8	1001137913	Cable, Control Push-Pull 46"	16
9	7660140234	Nut, 0.25"-28NF	32
10	4309000007	Cable Coupling, Long	5
11	4309000001	Cable Coupling, Short	11
12	7691000035	Pin	32
13	7691000075	Pin, Cotter	32
14	7551000033	Handle, Control Assembly	16
15	1001140265	Plate, LH	2
16	1001140266	Plate, RH	2
17	1001140291	Plate	2
18	4831000122	Spacer, 1.94"	2
19	7796000012	Seal	10ft
20	1001137439	Shaft	2
21	7754000009	Retaining Ring, 0.75" ID	4
22	7990000003	End Yoke, 0.25"-28NF x 2.00"	16
23	1001137438	Plate	2
24	1001145441	Decal, Rear Winch Freespool	2
25	1001145401	Decal, LH Controls	1
26	1001145402	Decal, RH Controls	1
27	1001145440	Decal, Front Winch Freespool	2
28	7950150161	Flatwasher, 0.31" ID	4
29	7114140618	Capscrew, 0.25"-20NC x 0.75"	12
30	7413000002	Nutsert, 0.25"-20NC	24
31	7114140818	Capscrew, 0.25"-20NC x 1.00"	18
32	7661000006	Nut, 0.25"-20NC	6
33	7950140143	Flatwasher, 0.25" ID	30
34	1001140357	Plug, 0.63" x 0.25"	2

# CONTROLS AND VALVE ASSEMBLY



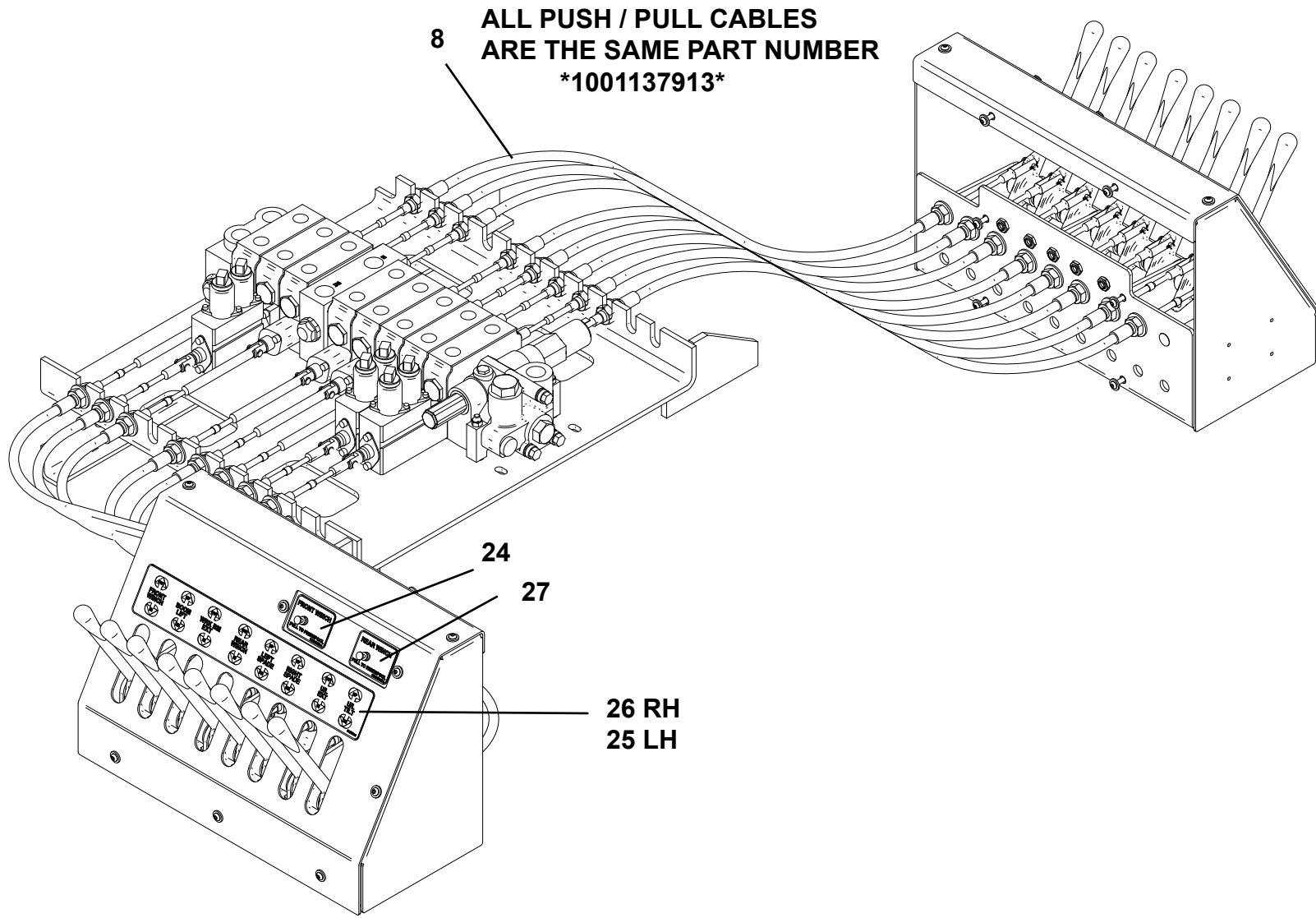
**CONTROLS AND VALVE ASSEMBLY**

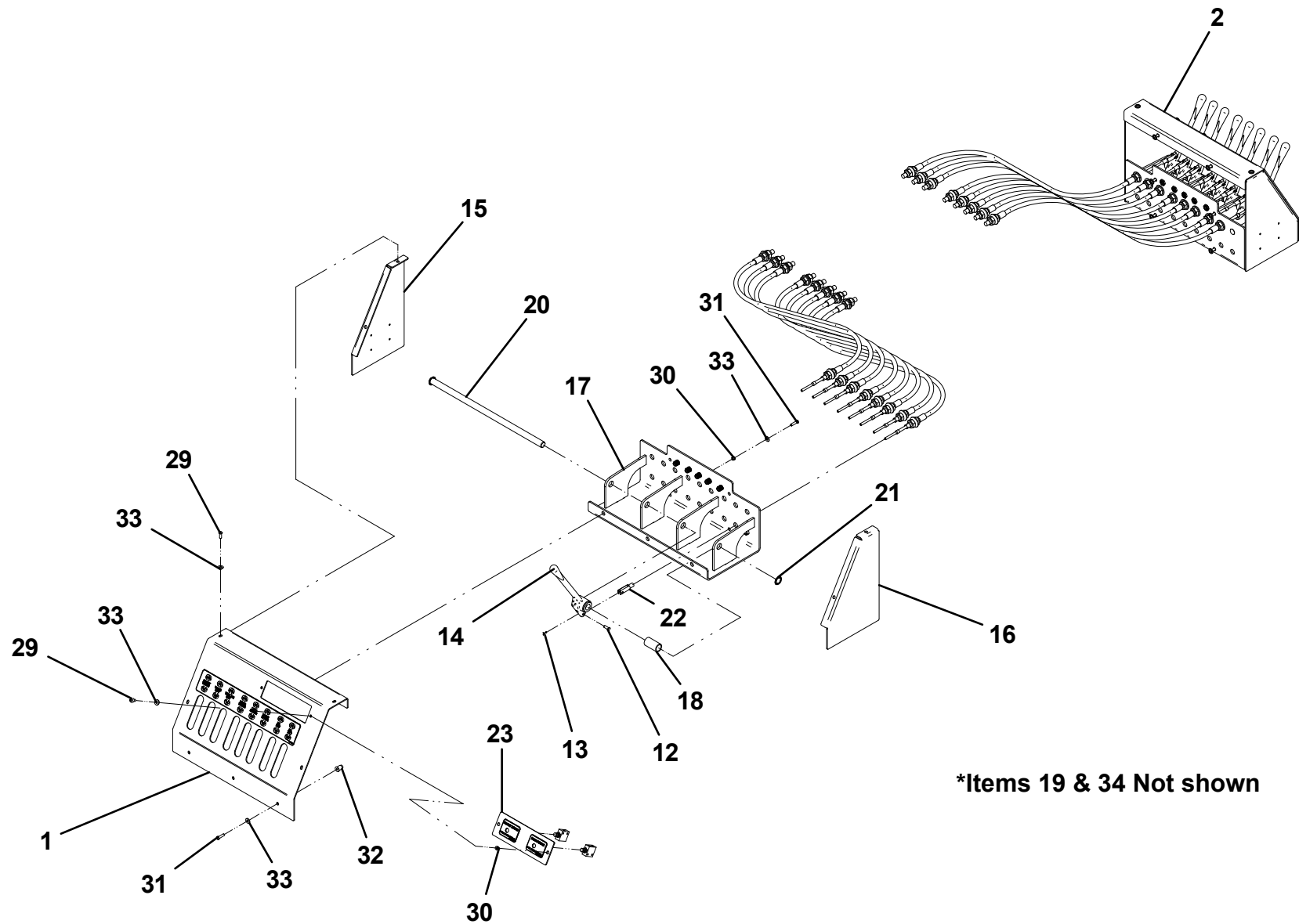


**A**



# CONTROLS AND VALVE ASSEMBLY



**CONTROLS AND VALVE ASSEMBLY**

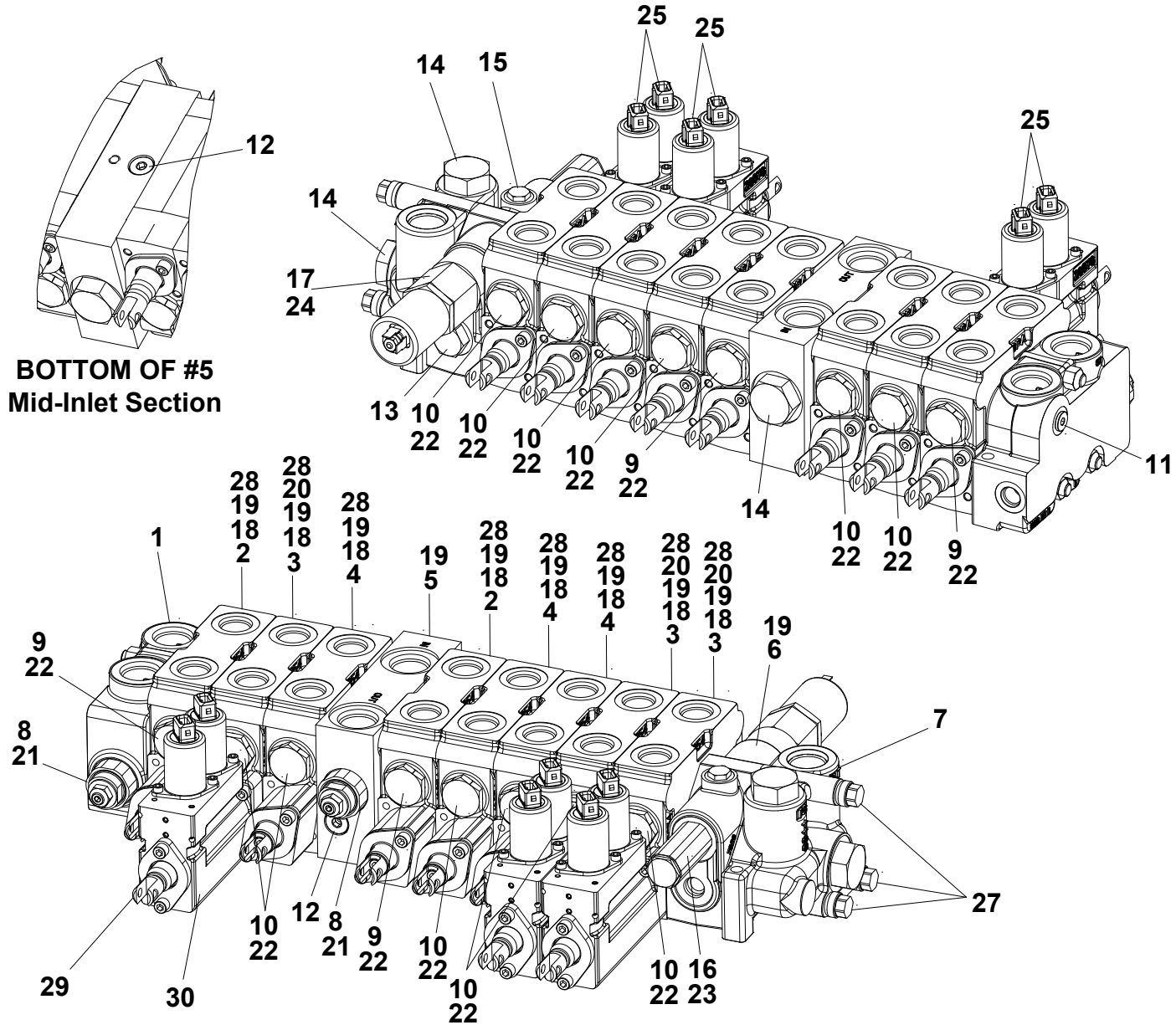
## CONTROLS AND VALVE ASSEMBLY

THIS PAGE INTENTIONALLY LEFT BLANK

**VALVE ASSEMBLY - 7935000293**

ITEM	PART NO.	DESCRIPTION	QTY
1	7935000315	Assembly, Inlet Cover	1
2	9935960122	Assembly, Work Section	2
3	9935930119	Assembly, Work Section	3
4	7935000316	Assembly, Work Section	3
5	7935000323	Mid-Inlet Section	1
6	7935000317	Utility Section	1
7	91084009	Assembly, Outlet Cover	1
8	70050243	Valve, Relief	2
9	91084010	Plug, Load Check	4
10	70050245	Plug, Load Check	12
11	70050246	Plug, SAE #4	1
12	70050247	Plug, SAE #6	2
13	91084017	Plug, SAE #8	1
14	70050249	Plug, SAE #12	3
15	70050241	Plug, Gage	1
16	70050242	Valve, Pressure Relief	1
17	70050250	Valve, Pressure Relief	1
18	70050251	Seal, Spool	13
19	70050252	Seal, O-Ring	40
20	70050253	Seal, O-Ring	6
21	70050253	Kit, Seal	2
22	7029865	Kit, Seal	16
23	70050255	Kit, Seal	1
24	70050256	Kit, Seal	1
25	9346930086	Solenoid with Screw	6
26	70050240	Assembly, Section Seal	1
27	70050239	Assembly, Stud	1
28	70050257	Seal, Spool Wiper	16
29	70050260	Piston-V20-DSP	3
30	70050230	Bonnet	3

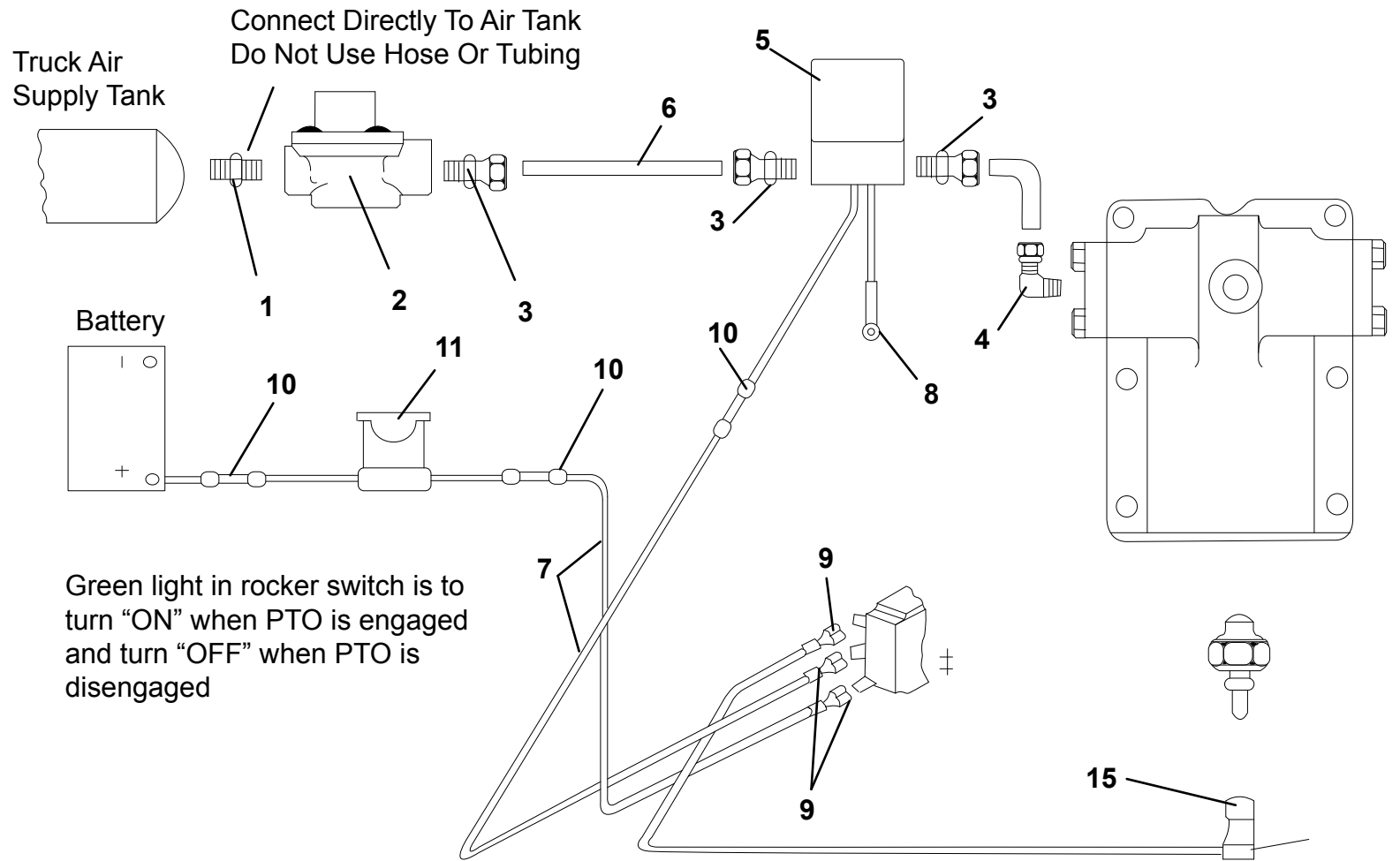
# VALVE ASSEMBLY - 7935000293



**TG SERIES ELECTRIC-AIR SHIFT PTO**

ITEM	PART NO.	DESCRIPTION	QTY
1	70050308	Nipple, Pipe	1
2	9935740034	Pressure Protection Valve	1
3	70050309	Fitting	3
4	70050310	Fitting	1
5	9346760019	12v Solenoid Valve	1
	70050311	24v Solenoid Valve	1
6	7565000019	Tubing,	30ft
7	70050312	Wire	30ft
8	70050313	Terminal	1
9	70050314	Terminal	3
10	70050315	Butt Splice	3
11	70050316	Fuse Assembly	1
12	7706000005	Dash Bracket	1
13	7706000003	Face Plate	1
14	7870000045	Switch 12VDC	1
	70050317	Switch 24VDC	1
15	70050318	Connector	1
16	70050319	Bolt Kit	1

# TG SERIES ELECTRIC-AIR SHIFT PTO

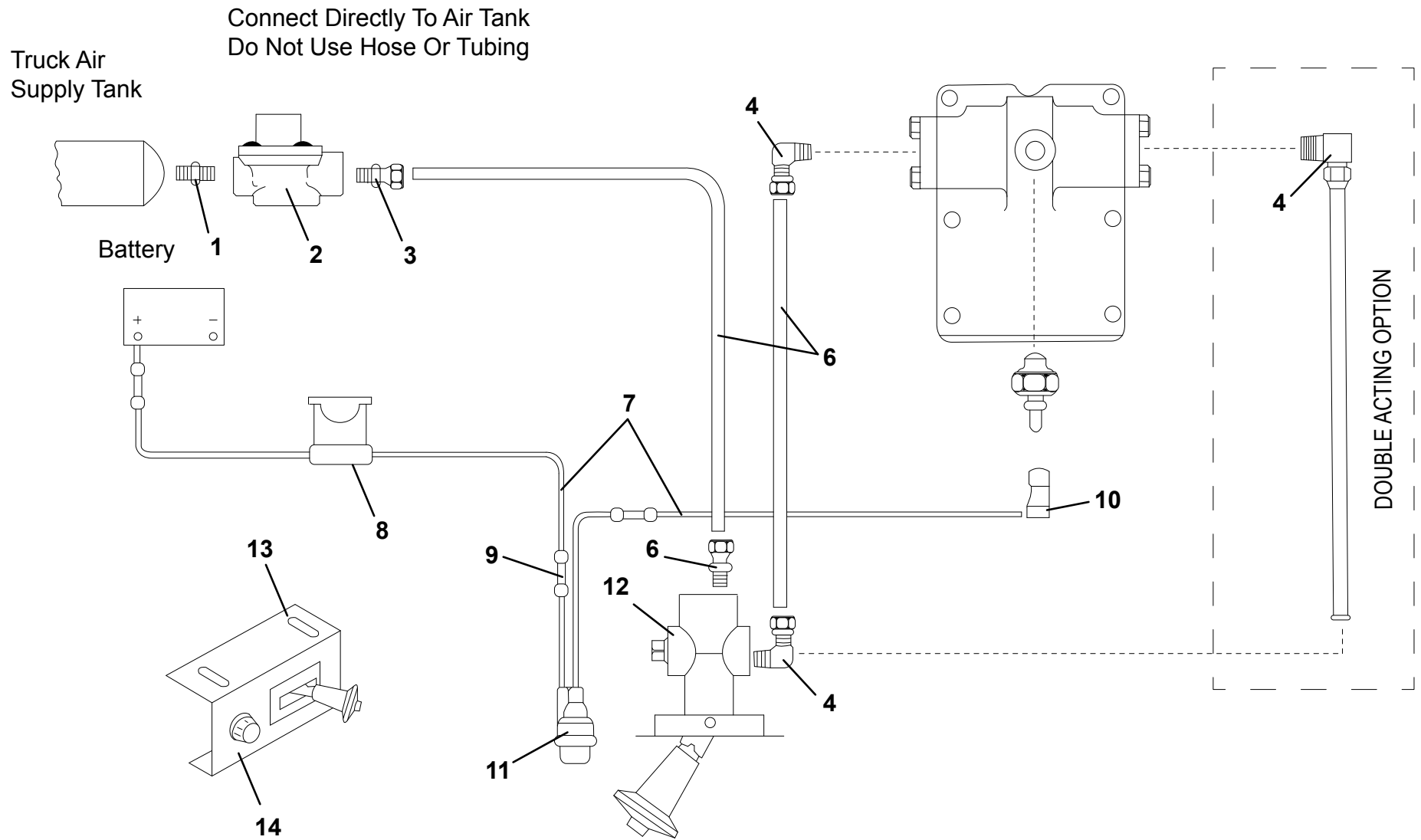


**TG SERIES STANDARD AIR SHIFT PTO**

ITEM	PART NO.	DESCRIPTION	QTY
1	70050308	Pipe Nipple	1
2	9935740034	Pressure Protection Valve	1
3	70050309	Fitting	1
4	70050310	Fitting	2
5	70050320	Fitting	1
6	7565000019	Tubing	30ft
7	70050312	Wire	12ft
8	70050316	Fuse Assembly	1
9	70050315	Butt Splice	3
10	70050318	Connector	1
11	7590000049	12V Light	1
12	70050321	24V Light	1
13	7935000104	Air Valve	1
14	70050322	Dash Bracket	1
15	7706000004	Face Plate	1
16	70050319	Bolt Kit	1



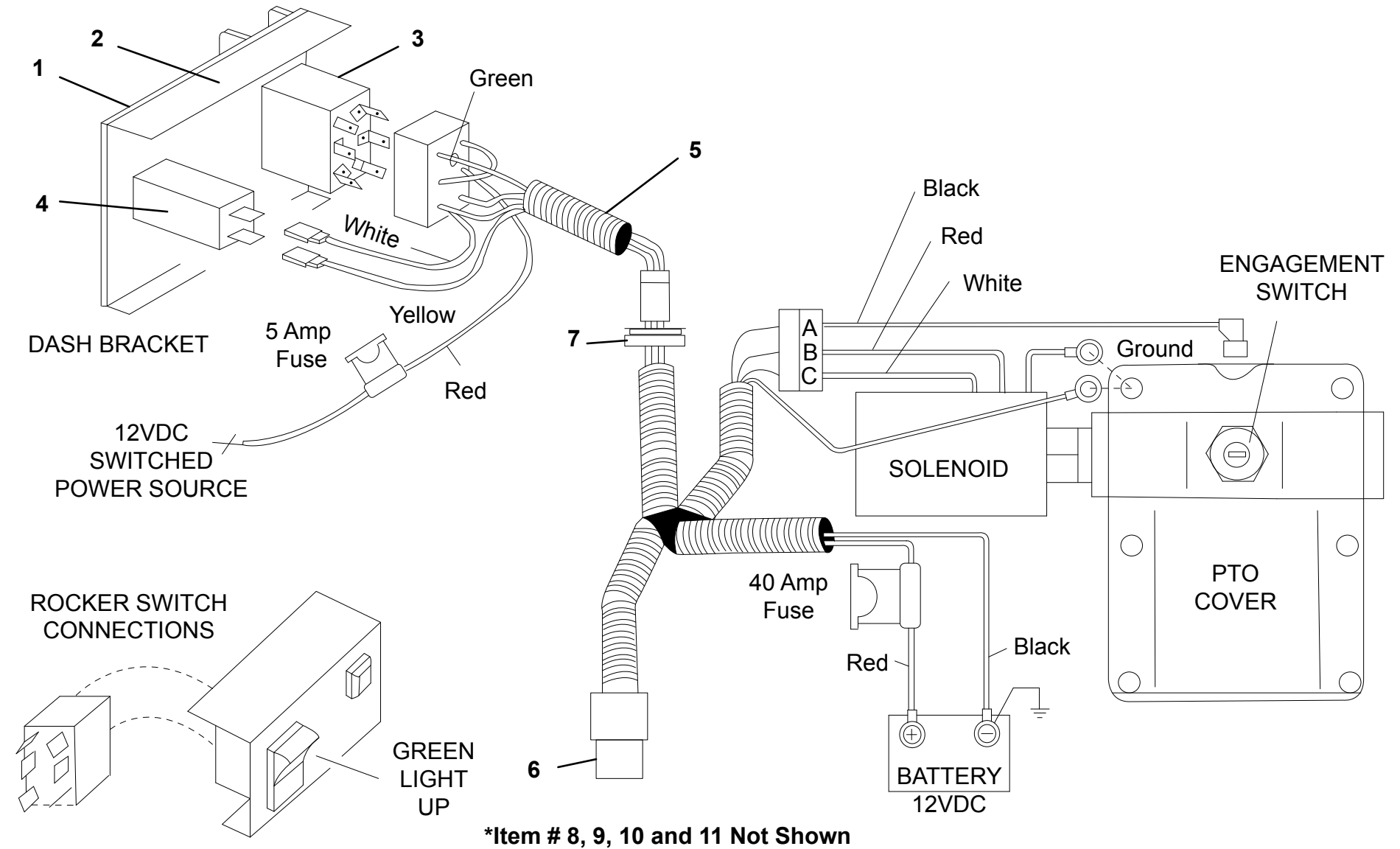
# TG SERIES STANDARD AIR SHIFT PTO



**TG SERIES LECTRA SHIFT PTO**

ITEM	PART NO.	DESCRIPTION	QTY
1	70050323	Face Plate	1
2	7706000005	Dash Bracket	1
3	7870000052	Switch	1
4	70050324	Light, 12VDC	1
5	9552740006	Wire Harness	1
6	9740740002	Relay	1
7	70050325	Grommet	1
8	70050326	Sheet Metal Screws	1
9	70050327	Wire Tie	5
10	70050319	Bolt Kit	1
11	9330740004	Dash Label	1

# TG SERIES LECTRA SHIFT PTO

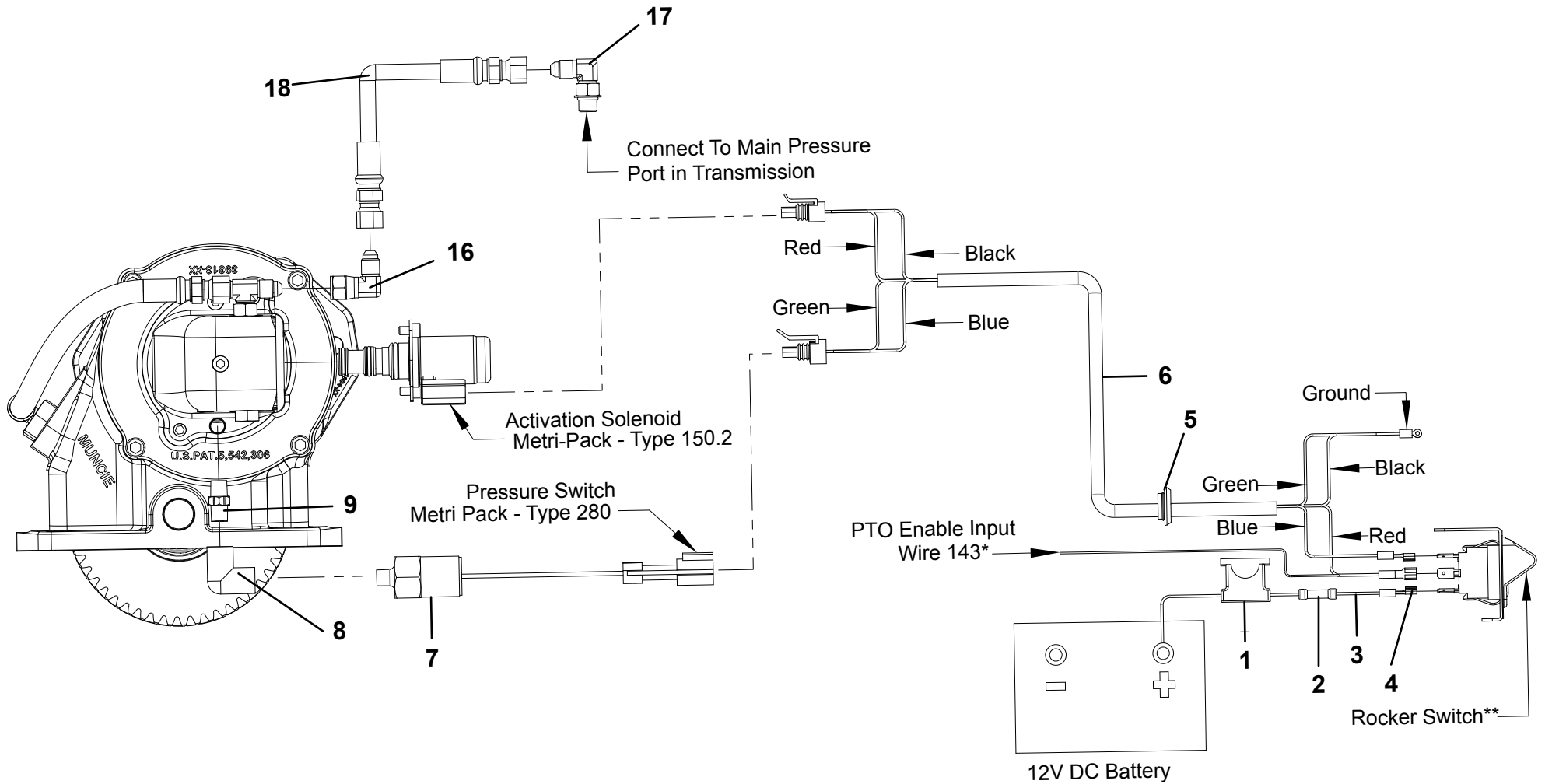


**CS24 PTO INSTALLATION**

ITEM	PART NO.	DESCRIPTION	QTY
1	70050316	Fuse Assembly	1
2	70050315	Butt Splice	1
3	70050312	Wire	6ft
4	70050314	Connector	1
5	70050325	Grommet	1
6	70050328	Wire Harness	1
7	7870000062	Pressure Switch	1
8	70050329	Elbow	1
9	70050330	Nipple	1
10	70050313	Terminal	2
11	70050331	Connector	3
12	7706000005	Switch Bracket	1
13	7706000001	Face Plate	1
14	7870000045	Switch, 12V	1
15	70050319	Bolt Kit	1
16	7443000431*	Fitting	1
17	7443000244*	Fitting	1
18	70050468*	Hose	1

\* Also available as Hose Kit - 70050467

# CS24 PTO INSTALLATION



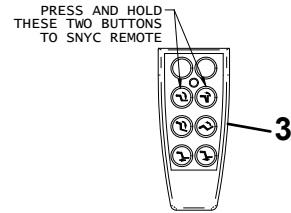
\*Item # 10, 11, 12, 13 14, and 15 Not Shown

**CONTROLS - ELECTRICAL WITH WIRELESS REMOTE**

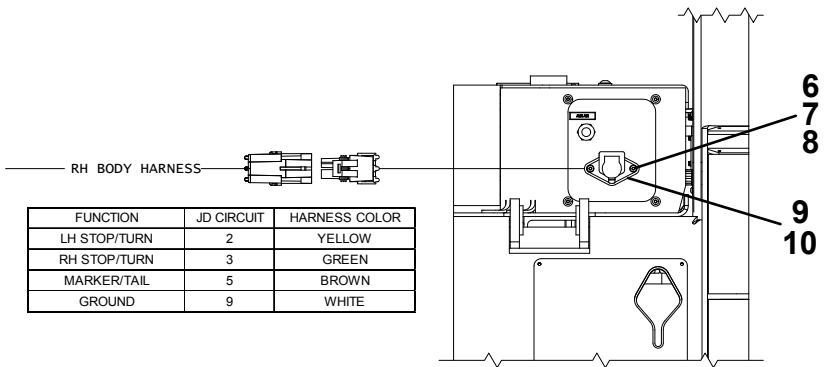
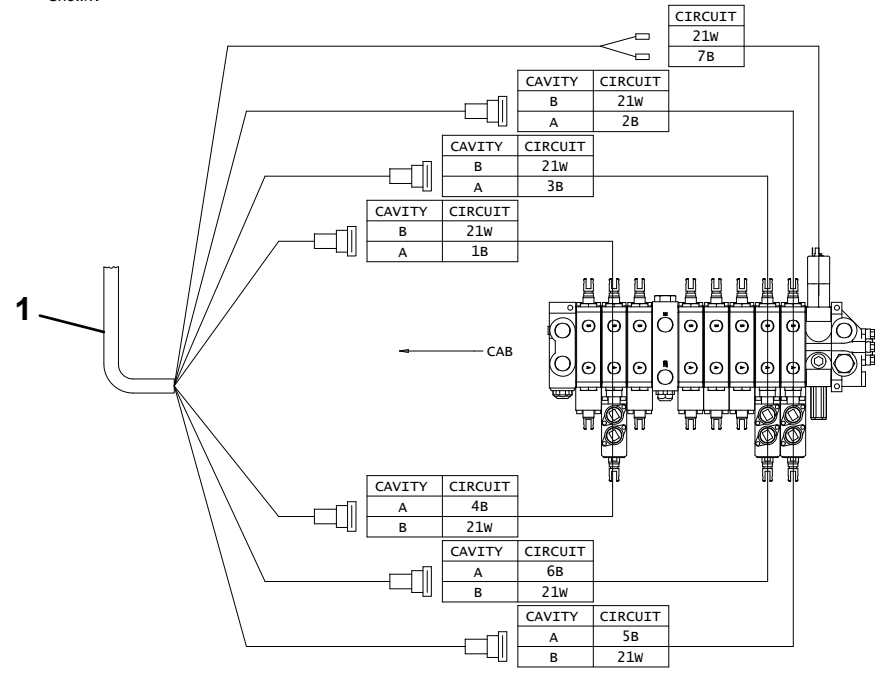
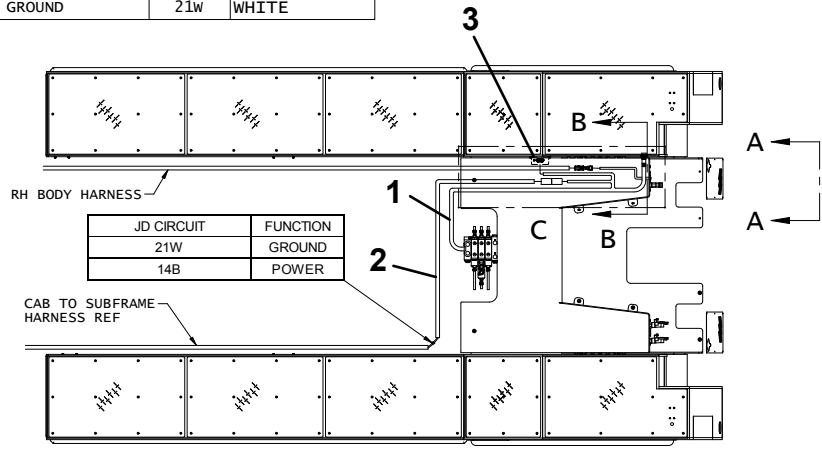
ITEM	PART NO.	DESCRIPTION	QTY
1	7552000358	Harness	1
2	7552000151	Harness	1
3	7295000107	Wireless Remote	1
4	7330000247	Decal	1
5	1001141592	Bolt, #8 x 0.50"	4
6	7114140818	Capscrew, 0.25"-20NC x 1.00"	2
7	7950140000	Lockwasher, 0.25" ID	2
8	7413000002	Nutsert, 0.25"-20NC	2
9	7291000010	Female Receptacle W/ Connector	1
10	7796000096	Gasket	1
11	7075000003	Battery 9V	1

# CONTROLS - ELECTRICAL WITH WIRELESS REMOTE

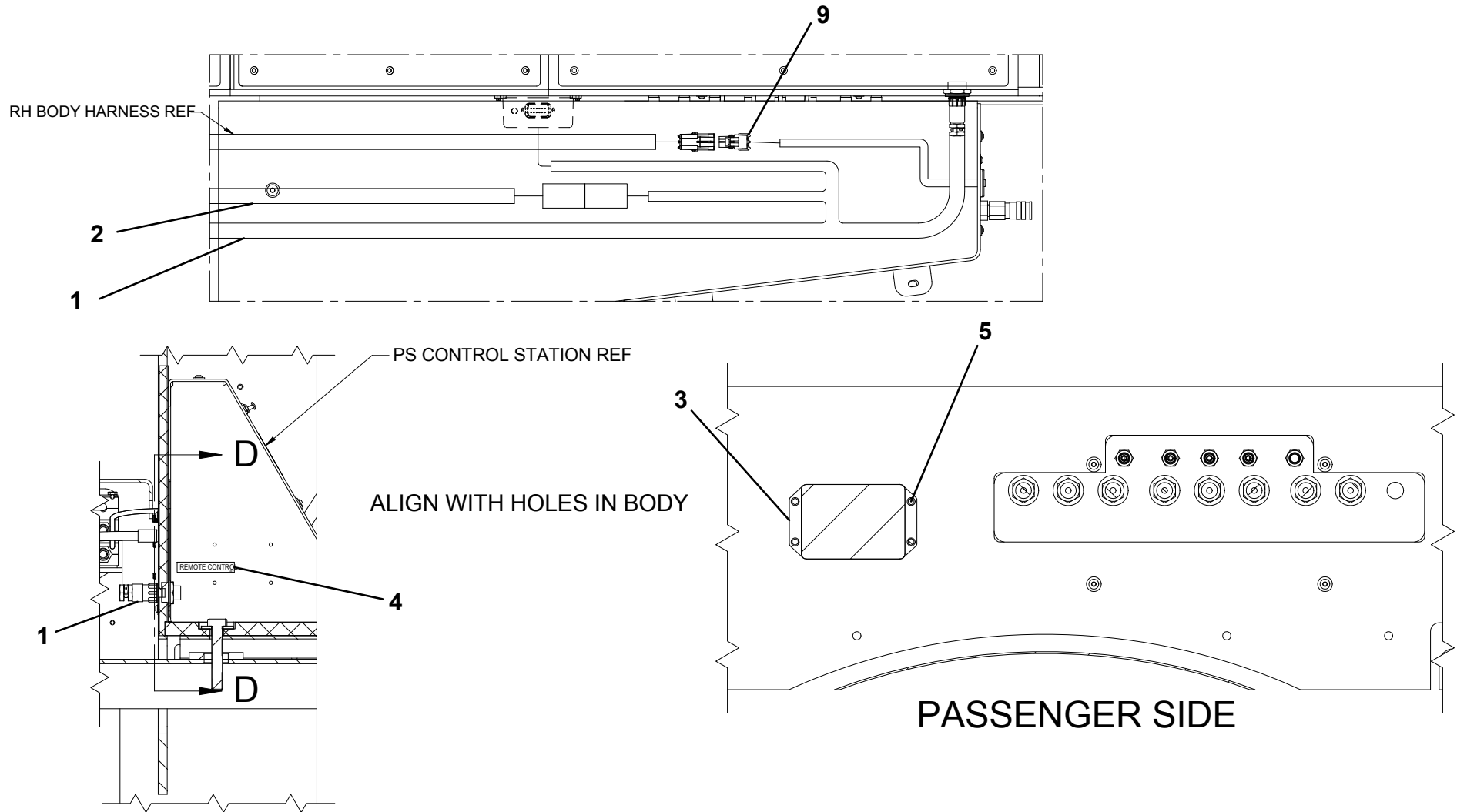
FUNCTION	JD CIRCUIT	HARNESS COLOR
BOOM UP	1B	BLUE
TILT UP	2B	LT GREEN
WL BOOM OUT	3B	LT BLUE
BOOM DOWN	4B	BLUE/BLK
TILT DOWN	5B	LT GREEN/BLK
WL BOOM IN	6B	LT BLUE/BLK
PRESSURE	7B	BROWN/WHT
POWER	14B	BLACK
GROUND	21W	WHITE



9V BATTERY IS REQUIRED WITH REMOTE TRANSMITTER BUT IS NOT SHOWN.



### CONTROLS - ELECTRICAL WITH WIRELESS REMOTE





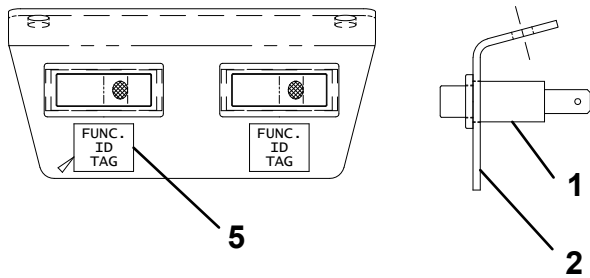
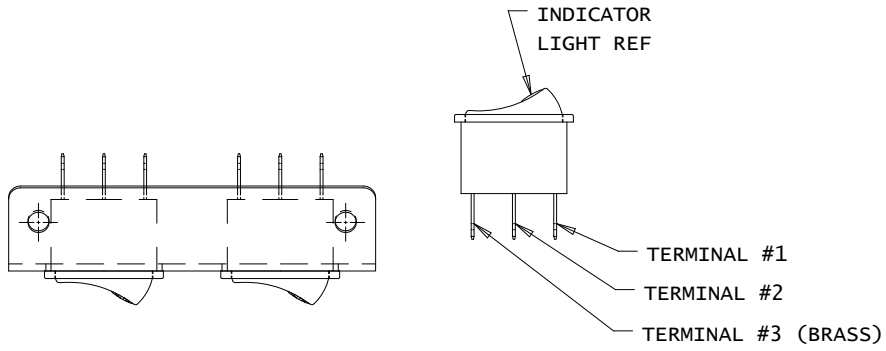
**CONTROLS - ELECTRICAL WITH WIRELESS REMOTE**

**THIS PAGE INTENTIONALLY LEFT BLANK**

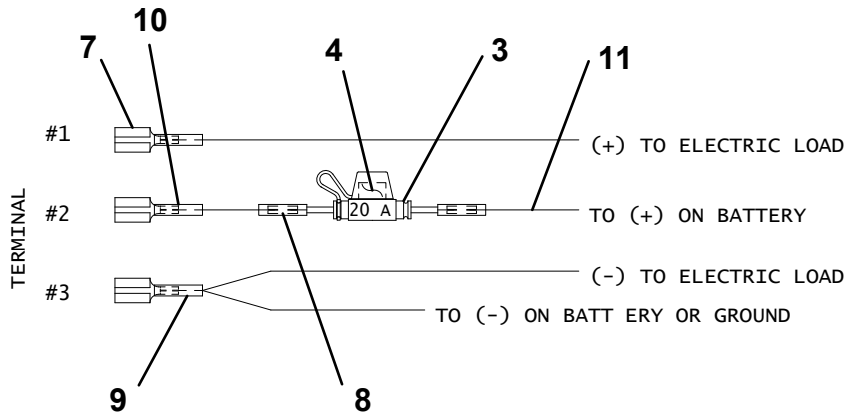
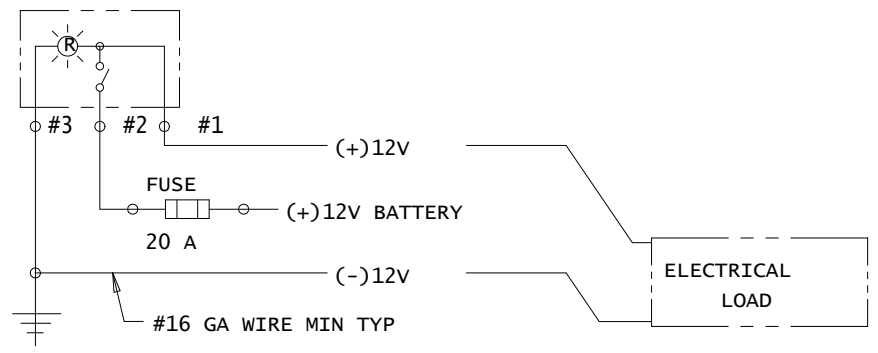
**SWITCH PANEL INSTALLATION 2 FUNCTION - 2870000012**

ITEM	PART NO.	DESCRIPTION	QTY
1	7870000083	Switch	2
2	4178000427	Bracket	1
3	7346000126	Fuse Holder	2
4	7457000015	Fuse, 20 Amp	2
5	7330000288	Decal	1
6	7120000034	Screw, #10 x 0.75"	2
7	7345001710	Tab	4
8	7345001914	Terminal	4
9	4346000005	Heat Shrink Tubing, 1.5" Long	10
10	7345001910	Tab	2
11	4978000046	Wire, 10Ga x 12ft	1

# SWITCH PANEL INSTALLATION 2 FUNCTION - 2870000012



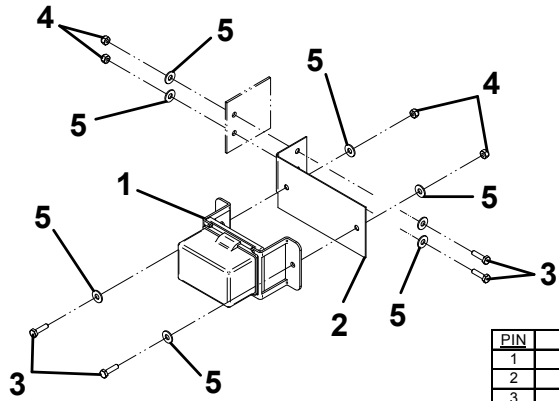
\*Item # 6 Not Shown



**SWITCH PANEL INSTALLATION 4 FUNCTION IN-DASH - 1001135464**

ITEM	PART NO.	DESCRIPTION	QTY
1	1001134383	Fuse Panel	1
2	1001135461	Angle	1
3	7115140850	Capscrew, 0.25"-20NC x 1.00"	4
4	7660142601	Locknut, 0.25"-20NC	4
5	7950140161	Flatwasher, 0.25" ID	8
6	1001129095	Terminal	4
7	8977510200	Wire, #14 Ga	12ft
8	7345001714	Terminal	7
9	7346000039	Tubing, 0.25"	2ft
10	7345221702	Terminal	2
11	8977540200	Wire, #8Ga	5ft
12	8597650002	Wire, 0.25"	2ft
13	4460933	Plug	1
14	4460942	Terminal	12
15	7457000014	Fuse, 10 Amp	1
16	7457000015	Fuse, 20 Amp	4
17	8597650001	Loom	1ft

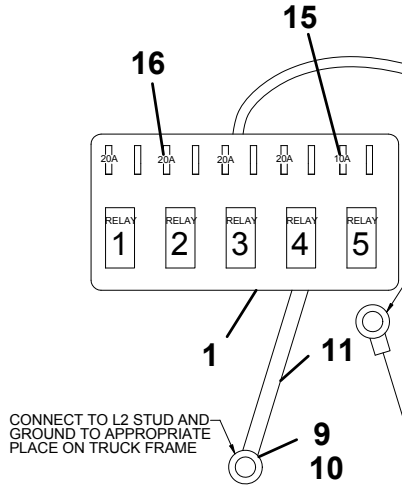
# SWITCH PANEL INSTALLATION 4 FUNCTION IN-DASH - 1001135464



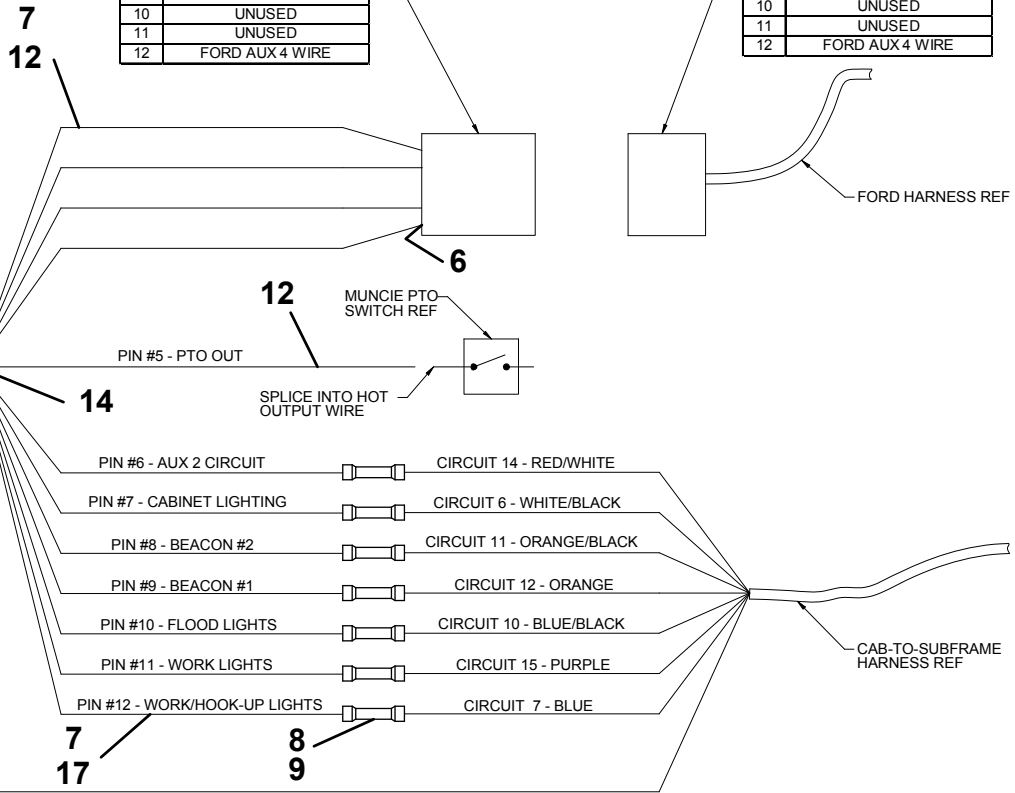
PIN	FUNCTION
1	FORD AUX 4 WIRE
2	FORD AUX 1 WIRE
3	FORD AUX 2 WIRE
4	FORD AUX 3 WIRE
5	PTO OUT
6	AUX 2 CIRCUIT
7	CABINET LIGHTING
8	BEACON #2
9	BEACON #1
10	FLOOD LIGHTS
11	WORK LIGHTS
12	WORK/HOOK-UP LIGHTS

PIN	FUNCTION
1	FORD AUX 1 WIRE
2	UNUSED
3	UNUSED
4	FORD AUX 2 WIRE
5	UNUSED
6	UNUSED
7	UNUSED
8	UNUSED
9	FORD AUX 3 WIRE
10	UNUSED
11	UNUSED
12	FORD AUX 4 WIRE

PIN	FUNCTION
1	FORD AUX 1 WIRE
2	UNUSED
3	UNUSED
4	FORD AUX 2 WIRE
5	UNUSED
6	UNUSED
7	UNUSED
8	UNUSED
9	FORD AUX 3 WIRE
10	UNUSED
11	UNUSED
12	FORD AUX 4 WIRE



PIN	FUNCTION	COLOR
1	RELAY 1 SWITCH	YELLOW
2	RELAY 2 SWITCH	GREEN
3	RELAY 3 SWITCH	BLACK
4	RELAY 4 SWITCH	BLUE
5	RELAY 5 SWITCH	RED
6	RELAY 5 OUTPUT	RED/WHITE
7	RELAY 1 OUTPUT	YELLOW/BLACK
8	RELAY 2 OUTPUT	GREEN/BLACK
9	RELAY 2 OUTPUT	GREEN
10	RELAY 3 OUTPUT	BLACK/WHITE
11	RELAY 3 OUTPUT	BLACK/WHITE
12	RELAY 4 OUTPUT	BLUE/WHITE



CONNECT TO L2 STUD AND GROUND TO APPROPRIATE PLACE ON TRUCK FRAME

CONNECT TO L1 STUD

SPLICE INTO HOT OUTPUT WIRE

FORD HARNESS REF

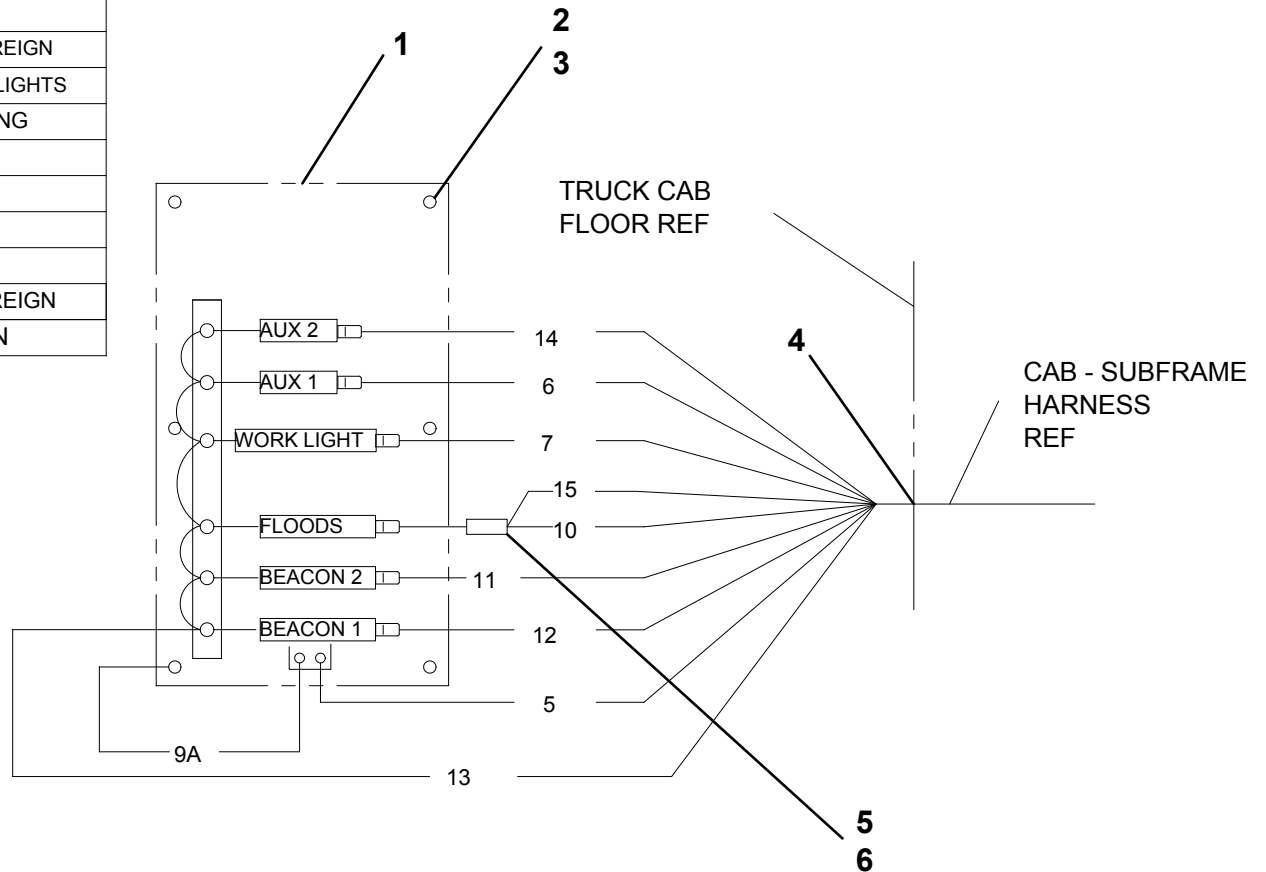
CAB-TO-SUBFRAME HARNESS REF

**SWITCH PANEL INSTALLATION 6 FUNCTION - 3870000005**

ITEM	PART NO.	DESCRIPTION	QTY
1	7870000064	Switch Panel - 6 Function	1
2	7790141651	Screw, 0.25" x 1.00"	6
3	7950140141	Flatwasher, 0.25" ID	6
4	7493000003	Grommet	1
5	7346000039	Tubing, 0.25" Heat Shrink	0.5in
6	7345001914	Terminal	1

# SWITCH PANEL INSTALLATION 6 FUNCTION - 3870000005

14	RED/WHITE	AUX 2 CIRCUIT
13	RED	POWER
12	ORANGE	BEACON #1 ROTATORS/FLASHERS
11	ORANGE/BLACK	BEACON #2 OSICILASERS
10	BLUE/BLK	FLOOD LIGHTS
9A	WHITE	GROUND, SWITCH PANEL
9	WHITE	GROUND
8	BLUE/WHITE	RIGHT TURN, FOREIGN
7	BLUE	WORK/HOOK-UP LIGHTS
6	WHITE/BLK	CABINET LIGHTING
5	BROWN	MARKER/TAIL
4	BLACK	BACK-UP
3	GREEN	RH STOP/TURN
2	YELLOW	LH STOP/TURN
1	PURPLE/WHITE	LEFT TURN, FOREIGN
CIRCUIT I.D.	COLOR	FUNCTION



\*Item # 7 and 8 Not Shown

**SWITCH PANEL INSTALLATION 6 FUNCTION, 3 UNDERLIFT - 3870000022**

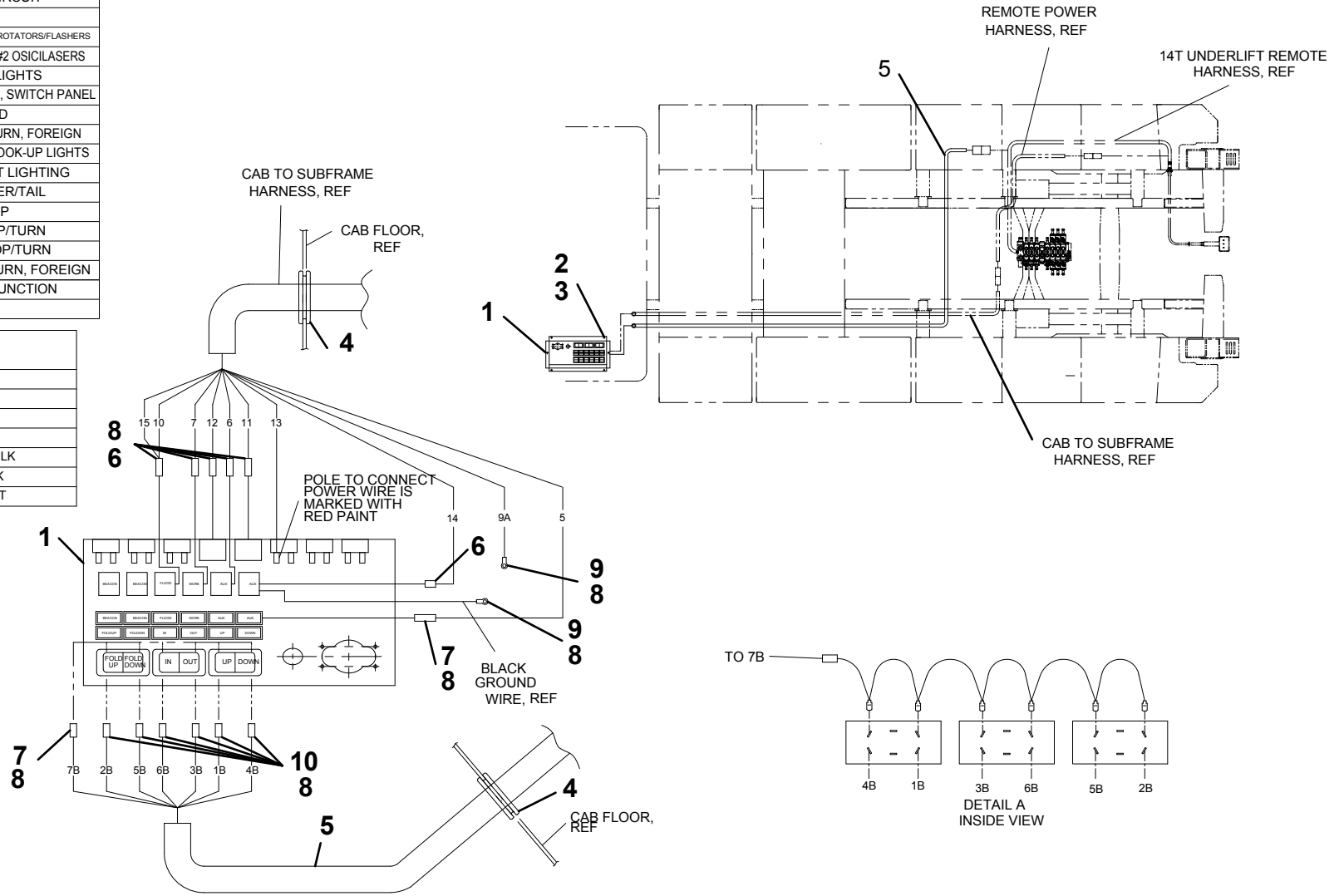
ITEM	PART NO.	DESCRIPTION	QTY
1	7870000068	Switch Panel	1
2	7790141651	Screw, 0.25" x 1.00"	6
3	7950140141	Flatwasher, 0.25" ID	6
4	7493000003	Grommet	2
5	7552000359	Harness	1
6	7345001914	Terminal	6
7	7345001714	Terminal	2
8	7346000039	Tubing, 0.25"	2
9	7345001710	Tab Terminal	6



# SWITCH PANEL INSTALLATION 6 FUNCTION, 3 UNDERLIFT - 387000022

14	RED/WHITE	AUX 2 CIRCUIT
13	RED	POWER
12	ORANGE	BEACON #1 ROTATORS/FLASHERS
11	ORANGE/BLACK	BEACON #2 OSCILASERS
10	BLUE/BLK	FLOOD LIGHTS
9A	WHITE	GROUND, SWITCH PANEL
9	WHITE	GROUND
8	BLUE/WHITE	RIGHT TURN, FOREIGN
7	BLUE	WORK/HOOK-UP LIGHTS
6	WHITE/BLK	CABINET LIGHTING
5	BROWN	MARKER/TAIL
4	BLACK	BACK-UP
3	GREEN	RH STOP/TURN
2	YELLOW	LH STOP/TURN
1	PURPLE/WHITE	LEFT TURN, FOREIGN
CIRCUIT I.D.	COLOR	FUNCTION
HEADBOARD HARNESS		

FUNCTION	JD CIRCUIT	HARNESS COLOR
BOOM UP	1B	BLUE
TILT UP	2B	LT GREEN
WL BOOM OUT	3B	LT BLUE
BOOM DOWN	4B	BLUE/BLK
TILT DOWN	5B	LT GREEN/BLK
WL BOOM IN	6B	LT BLUE/BLK
PRESSURE	7B	BROWN/WHT

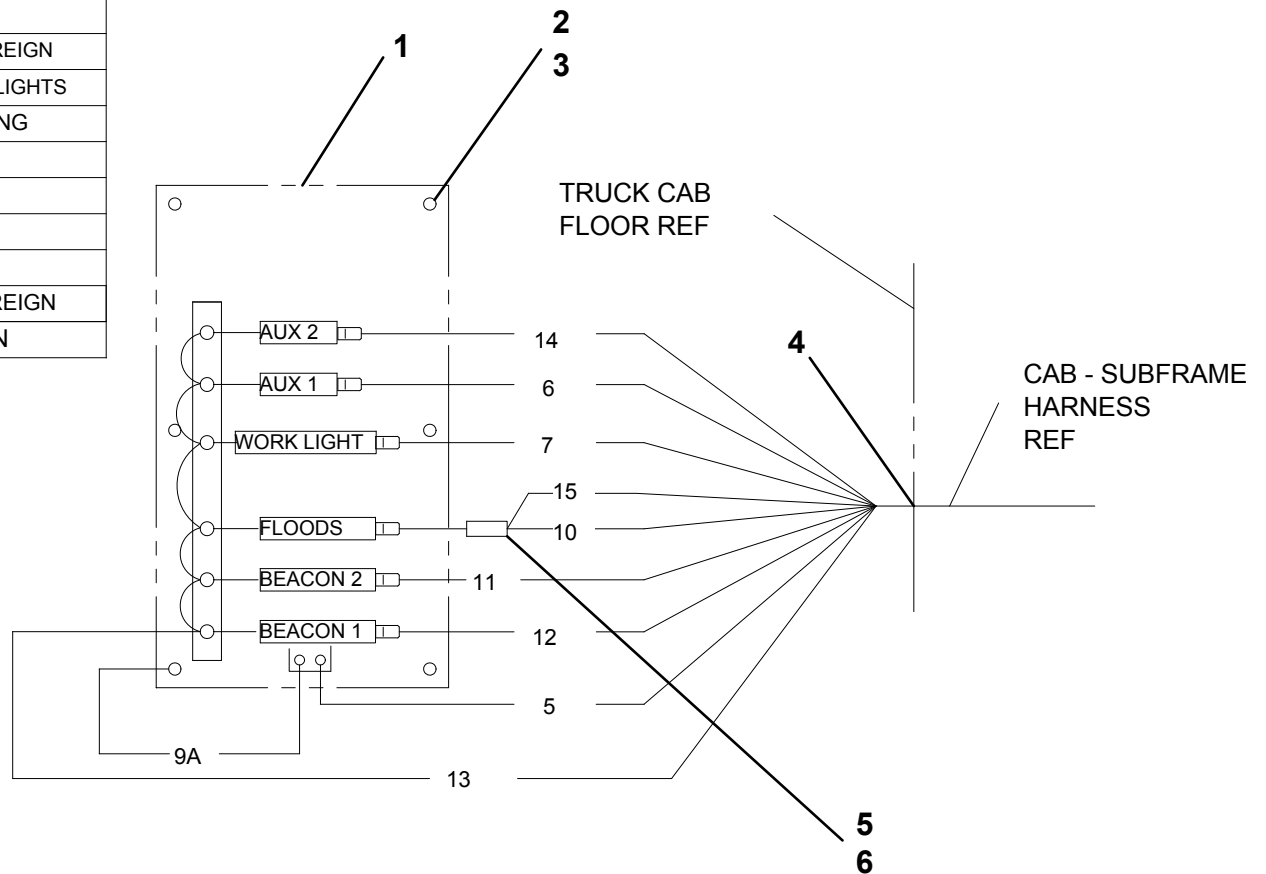


**SWITCH PANEL INSTALLATION 9 FUNCTION - 3870000007**

ITEM	PART NO.	DESCRIPTION	QTY
1	7870000075	Switch Panel	1
2	7790141651	Screw, 0.25" x 1.00"	6
3	7950140141	Flatwasher, 0.25" ID	6
4	7493000003	Grommet	2
5	7345001710	Terminal	4
6	7345001910	Terminal	2
7	7345001714	Terminal	3
8	7346000039	Tubing, 0.25"	0.5in

# SWITCH PANEL INSTALLATION 9 FUNCTION - 3870000007

14	RED/WHITE	AUX 2 CIRCUIT
13	RED	POWER
12	ORANGE	BEACON #1 ROTATORS/FLASHERS
11	ORANGE/BLACK	BEACON #2 OSICILASERS
10	BLUE/BLK	FLOOD LIGHTS
9A	WHITE	GROUND, SWITCH PANEL
9	WHITE	GROUND
8	BLUE/WHITE	RIGHT TURN, FOREIGN
7	BLUE	WORK/HOOK-UP LIGHTS
6	WHITE/BLK	CABINET LIGHTING
5	BROWN	MARKER/TAIL
4	BLACK	BACK-UP
3	GREEN	RH STOP/TURN
2	YELLOW	LH STOP/TURN
1	PURPLE/WHITE	LEFT TURN, FOREIGN
CIRCUIT I.D.	COLOR	FUNCTION



\*Item # 7 and 8 Not Shown

**SWITCH PANEL INSTALLATION 9 FUNCTION, 3 UNDERLIFT - 3870000021**

ITEM	PART NO.	DESCRIPTION	QTY
1	7870000058	Switch Panel	1
2	7493000003	Grommet	2
3	7790141651	Screw, 0.25" x 1.00"	4
4	7950140141	Flatwasher, 0.25" ID	4
5	7552000359	Harness	1
6	7345001710	Terminal	6
7	7346000039	Tubing, 0.25"	0.5in
8	7345001914	Terminal	9
9	7345001714	Terminal	1

# SWITCH PANEL INSTALLATION 9 FUNCTION, 3 UNDERLIFT - 3870000021

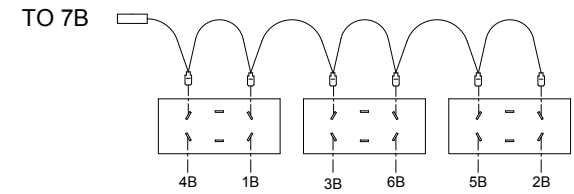
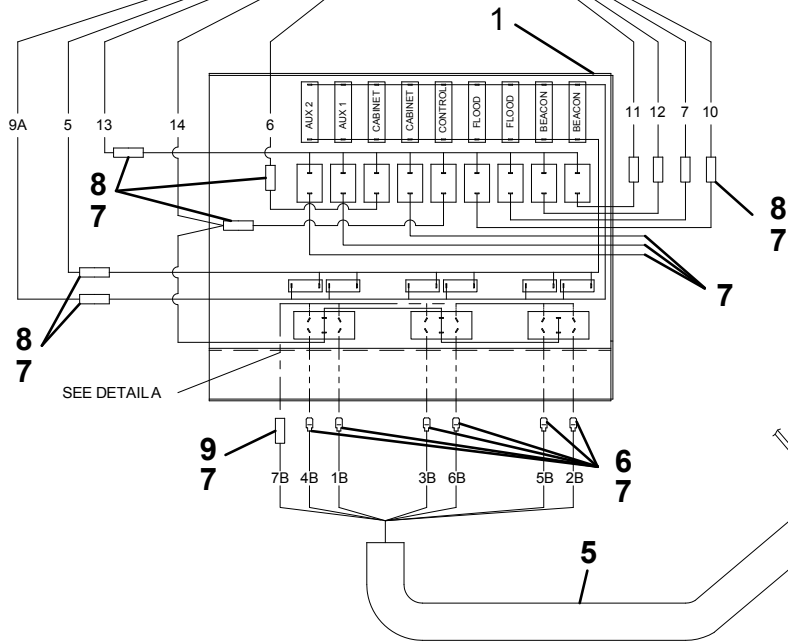
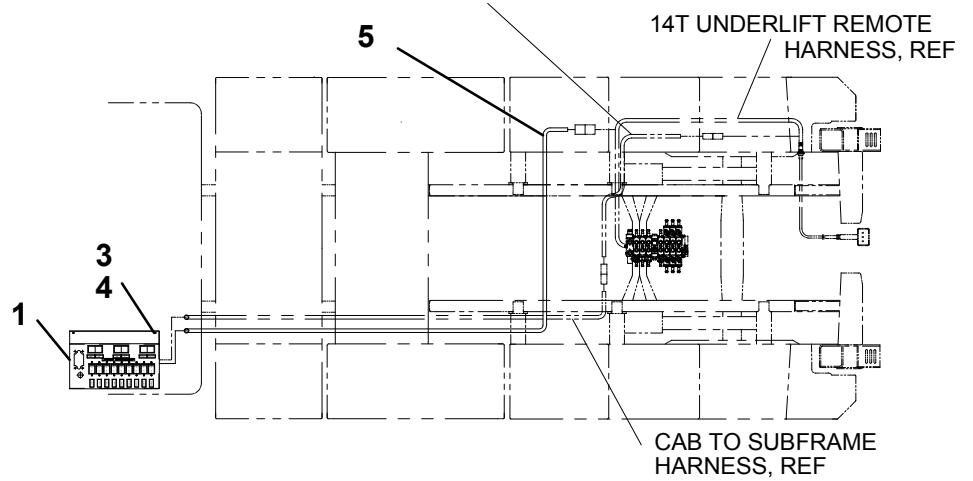
14	RED/WHITE	AUX 2 CIRCUIT
13	RED	POWER
12	ORANGE	BEACON #1 ROTATORS/FLASHERS
11	ORANGE/BLACK	BEACON #2 OSICILASERS
10	BLUE/BLK	FLOOD LIGHTS
9A	WHITE	GROUND, SWITCH PANEL
9	WHITE	GROUND
8	BLUE/WHITE	RIGHT TURN, FOREIGN
7	BLUE	WORK/HOOK-UP LIGHTS
6	WHITE/BLK	CABINET LIGHTING
5	BROWN	MARKER/TAIL
4	BLACK	BACK-UP
3	GREEN	RH STOP/TURN
2	YELLOW	LH STOP/TURN
1	PURPLE/WHITE	LEFT TURN, FOREIGN
CIRCUIT I.D.	COLOR	FUNCTION
HEADBOARD HARNESS		

CAB TO SUBFRAME HARNESS, REF

CAB FLOOR, REF

REMOTE POWER HARNESS, REF

14T UNDERLIFT REMOTE HARNESS, REF



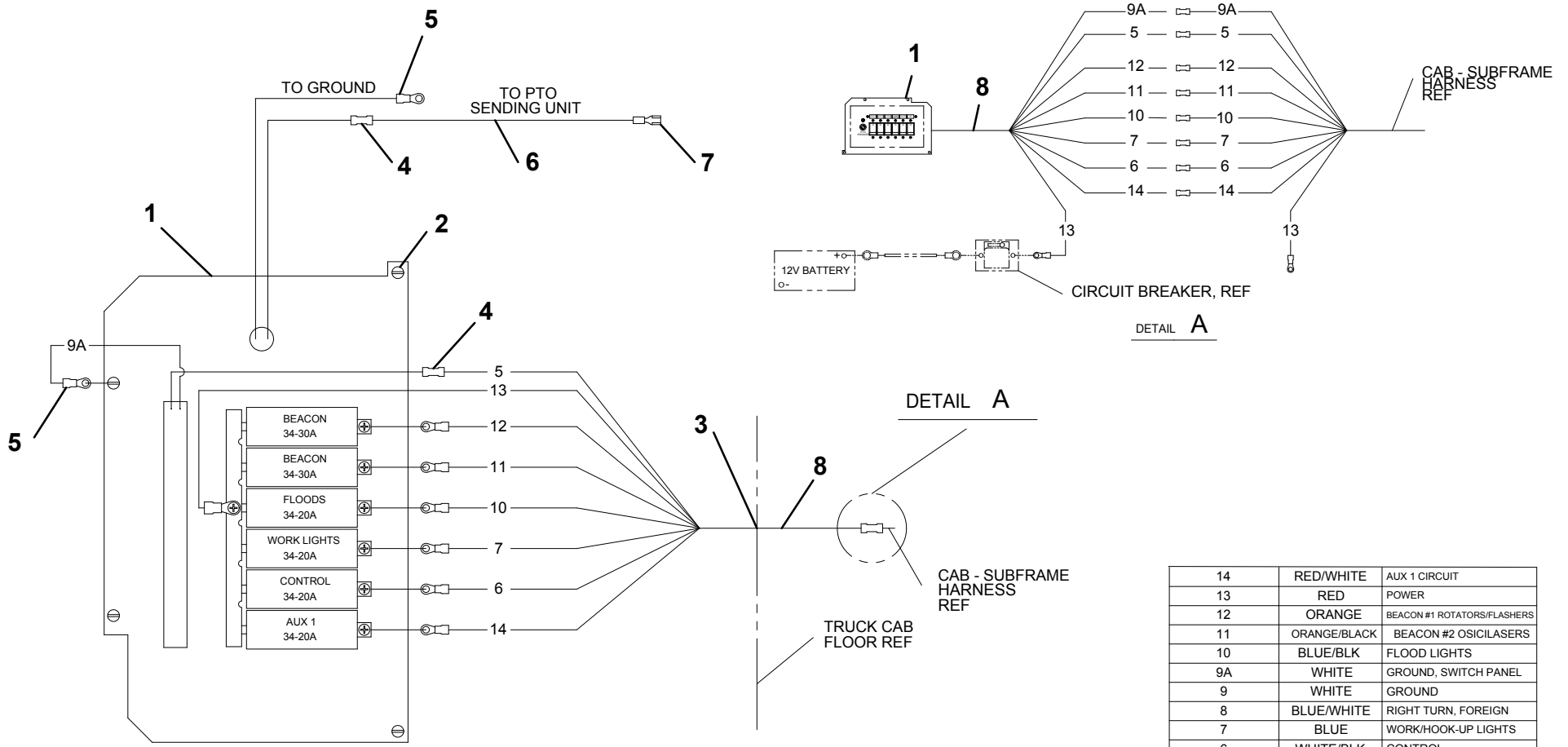
DETAIL A

FUNCTION	JD CIRCUIT	HARNESS COLOR
BOOM UP	1B	BLUE
TILT UP	2B	LT GREEN
WL BOOM OUT	3B	LT BLUE
BOOM DOWN	4B	BLUE/BLK
TILT DOWN	5B	LT GREEN/BLK
WL BOOM IN	6B	LT BLUE/BLK
PRESSURE	7B	BROWN/WHT

**SWITCH PANEL INSTALLATION 6 FUNCTION IN-DASH - 3870000009**

ITEM	PART NO.	DESCRIPTION	QTY
1	7870000079	Switch Panel	1
2	7790080871	Screw, #8 x 0.50"	4
3	7493000003	Grommet	1
4	7345001713	Connector	2
5	7345221601	Terminal	2
6	4978000047	Wire, 16 Ga.	1
7	7345001710	Tab	1
8	7552000202	Harness	1
9	7346000039	Tubing	0.12

# SWITCH PANEL INSTALLATION 6 FUNCTION IN-DASH - 387000009



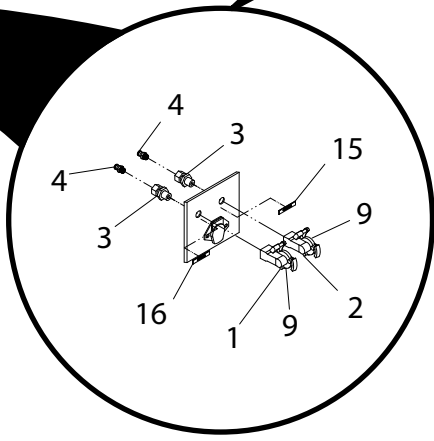
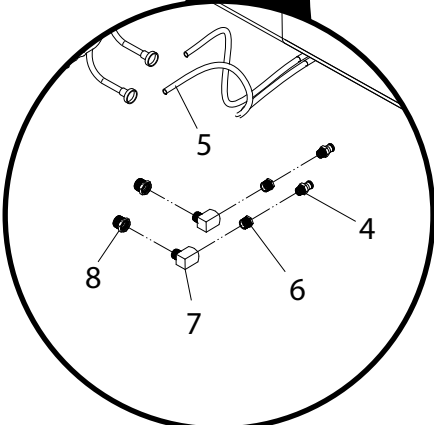
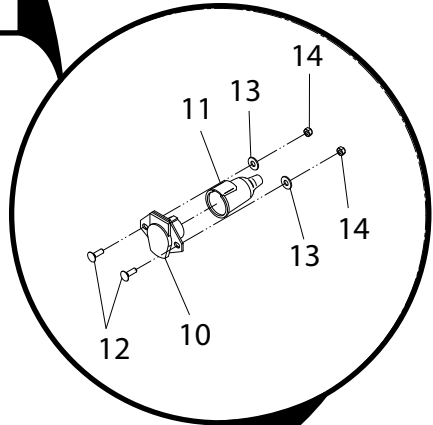
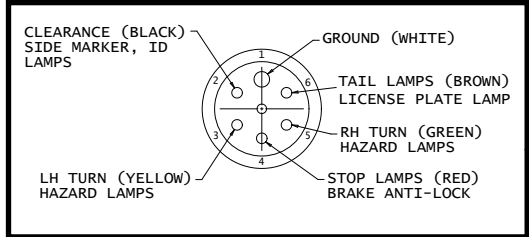
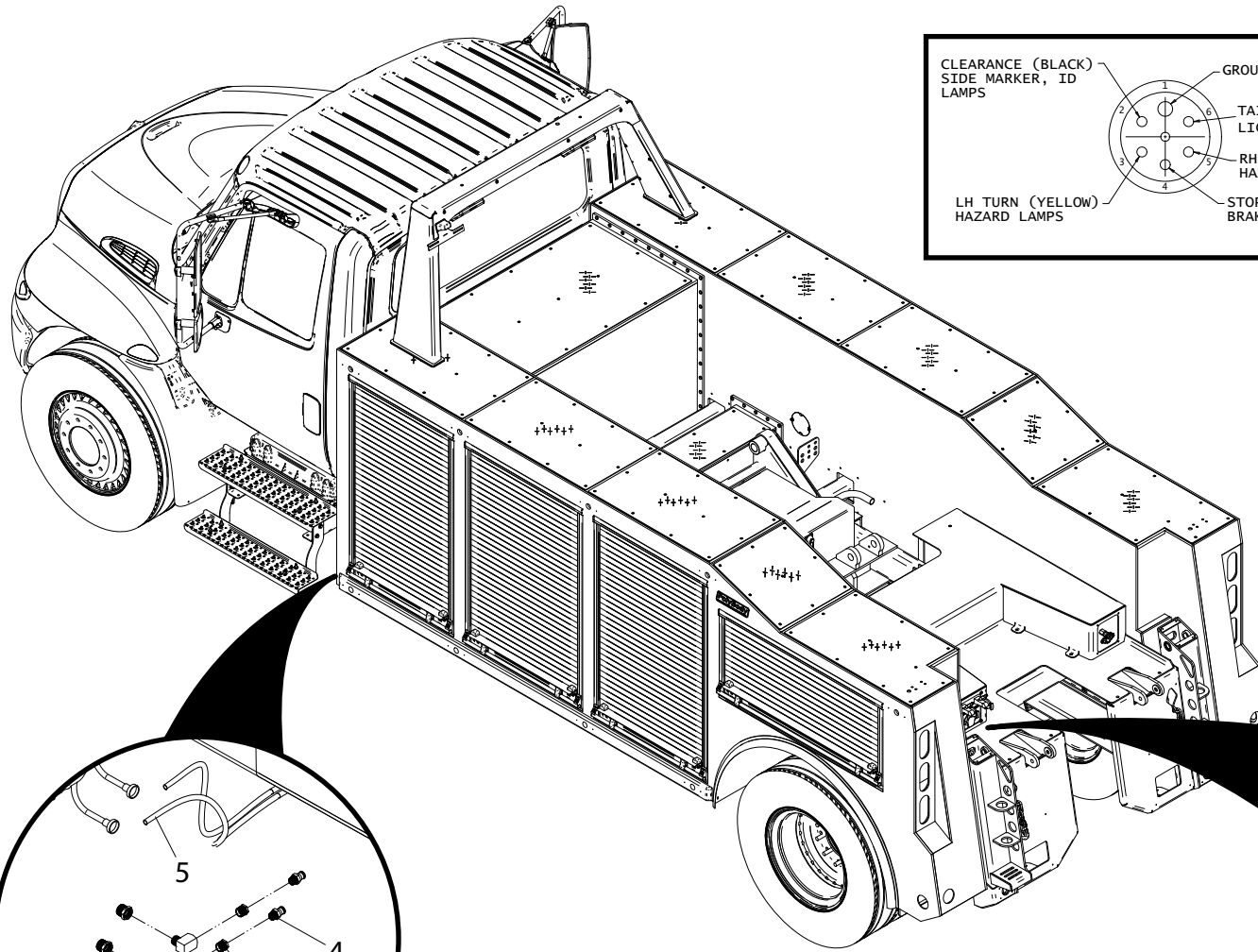
14	RED/WHITE	AUX 1 CIRCUIT
13	RED	POWER
12	ORANGE	BEACON #1 ROTATORS/FLASHERS
11	ORANGE/BLACK	BEACON #2 OSICILASERS
10	BLUE/BLK	FLOOD LIGHTS
9A	WHITE	GROUND, SWITCH PANEL
9	WHITE	GROUND
8	BLUE/WHITE	RIGHT TURN, FOREIGN
7	BLUE	WORK/HOOK-UP LIGHTS
6	WHITE/BLK	CONTROL
5	BROWN	MARKER/TAIL
4	BLACK	BACK-UP
3	GREEN	RH STOP/TURN
2	YELLOW	LH STOP/TURN
1	PURPLE/WHITE	LEFT TURN, FOREIGN
CIRCUIT I.D.	COLOR	FUNCTION

**AUXILIARY AIR INSTALLATION**

ITEM	PART NO.	DESCRIPTION	QTY
1	7312000015	Glad Hand - Blue	1
2	7312000016	Glad Hand - Red	1
3	7446502518	Fitting, Bulkhead	2
4	7446382506	Connector, 0.38" Tube - 0.25" Male	4
5	7565000014	Airline Tubing 0.38" OD	50ft
6	7443000148	Bushing, 0.38" Male x 0.25" Female	2
7	7443000146	Elbow, 0.38" Male x 0.38" Female	2
8	7443000145	Bushing, 0.50" Male x 0.38" Female	2
9	7577000145	Seal Kit, Glad hands	1
10	7345000055	Electrical Receptacle, 7-way	1
11	7346000078	Electrical Boot, 7-way	1
12	7115150864	Bolt, 0.31"-18NC x 1.00"	2
13	7950150161	Flatwasher, 0.31" ID	2
14	7660152601	Locknut, 0.31"-18NC	2
15	7330000208	Decal, Service Air	1
16	7330000209	Decal, Supply Air	1



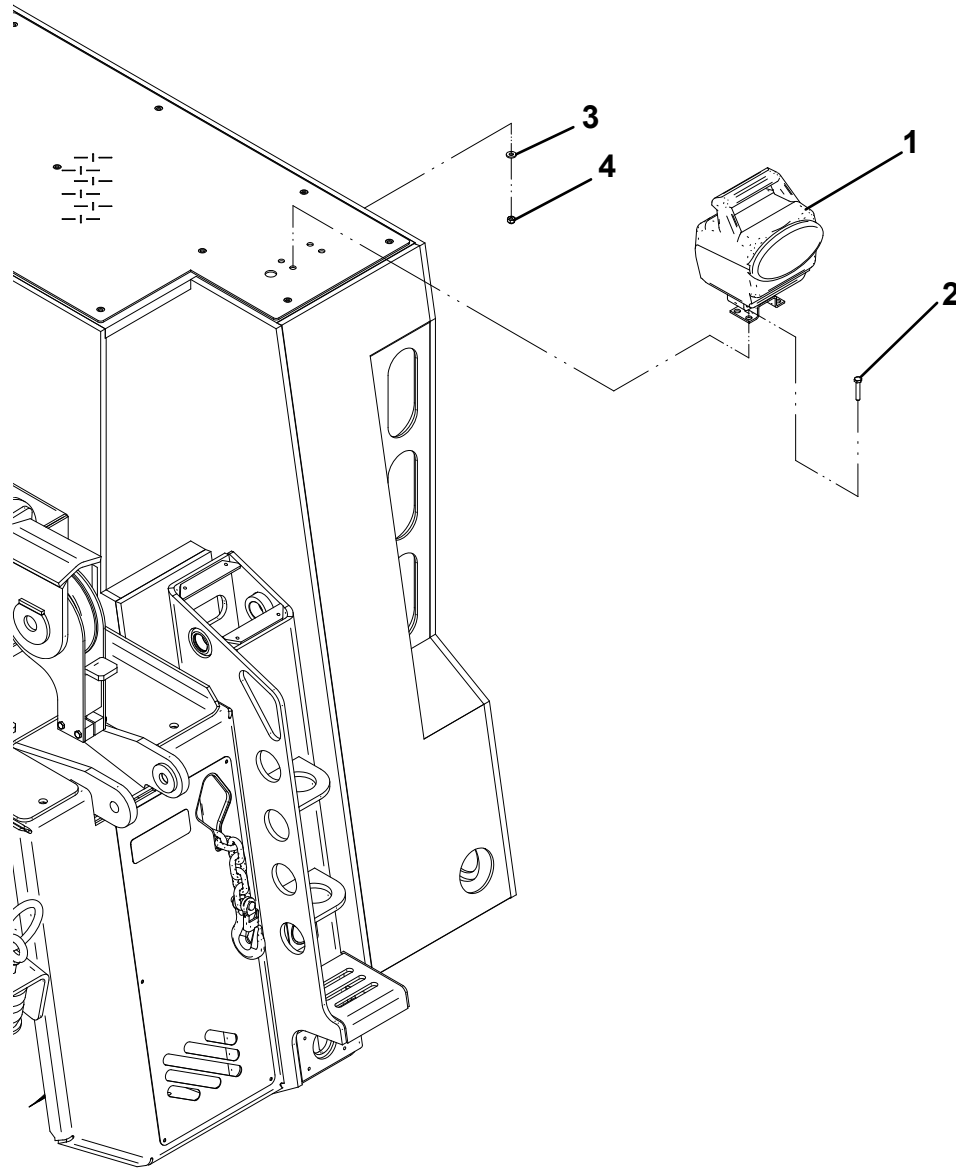
# AUXILIARY AIR INSTALLATION



**UPPER REAR WORK LIGHT INSTALLATION**

ITEM	PART NO.	DESCRIPTION	QTY
1	1001131171	Lamp, Halogen Work Light	2
2	7115141250	Capscrew, 0.25" - 20NC x 1.50"	8
3	7950140143	Flatwasher, 0.25" ID	8
4	7660142604	Locknut, 0.25"-20NC	8

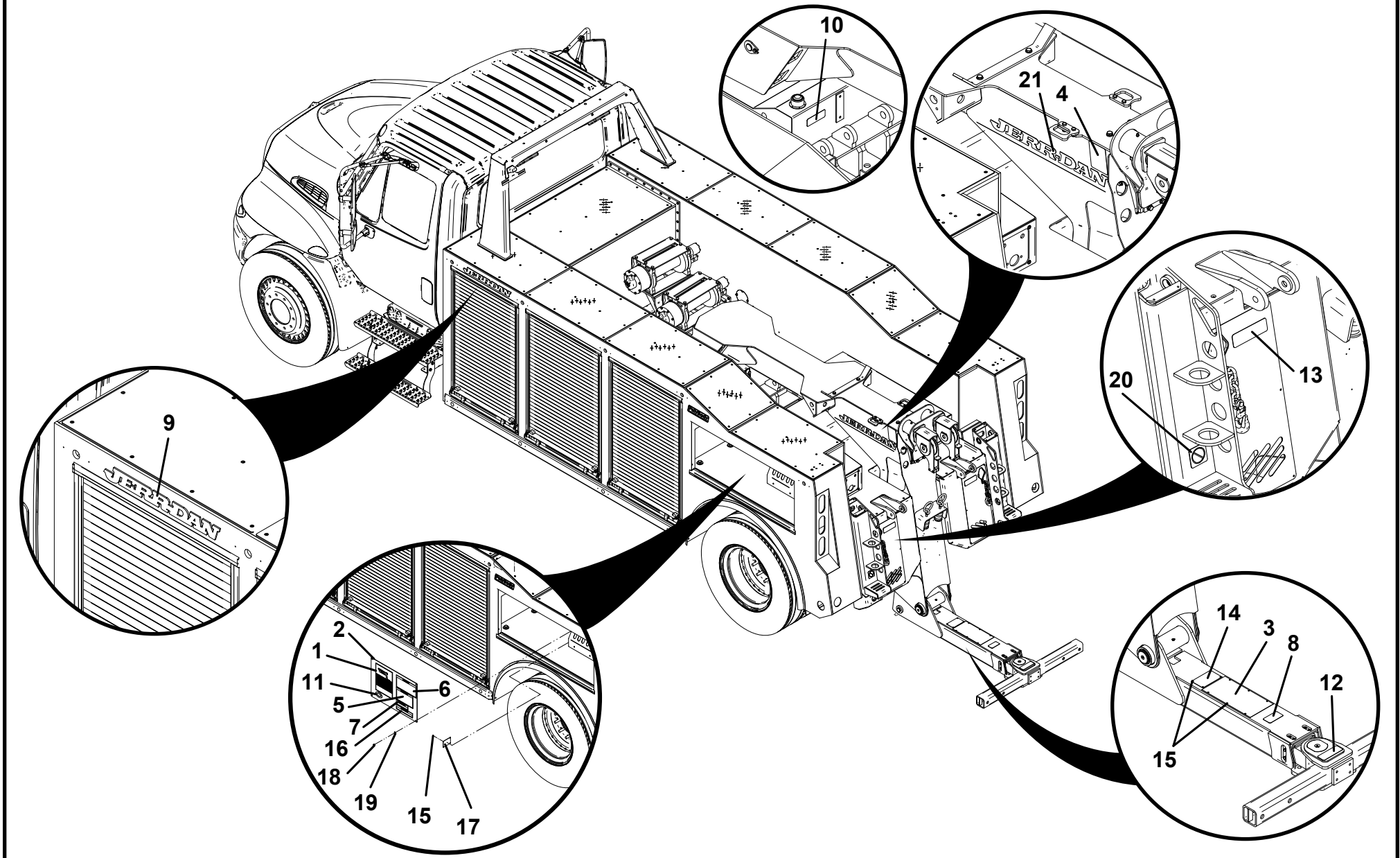
# UPPER REAR WORK LIGHT INSTALLATION



**DECALS**

ITEM	PART NO.	DESCRIPTION	QTY
1	1001151556	Decal, Lubrication Chart	2
2	1001141567	Plate	2
3	1001132328	Placard, Serial Number	1
4	7330000203	Decal, Warning-Power Lines	2
5	7330000199	Decal, Authorized Personnel	2
6	7330000200	Decal, Oper. Pre-Transport Checklist	2
7	7330000253	Decal, Wire Rope Caution	2
8	7330000599	Decal, Warning Pinch Point	1
9	7330000433	Decal, Jerr-Dan Logo	2
10	7330000034	Decal, Check Hydraulic Fluid	1
11	7330000143	Decal, Made In the USA	2
12	7330000211	Decal, Safety Chains Warning	1
13	7330000122	Decal, Safety Chains Warning	2
14	1001132346	Placard, Patent	1
15	7759000004	Pop Rivet	14
16	7330000262	Decal Winch Warning	2
17	1001127220	Decal Ident Tag	1
18	1001141264	Screw, #14 x 0.50"	8
19	7950140143	Flatwasher, 0.25" ID	8
20	1001142452	Decal, No Step	2
21	7330000337	Decal, Jerr-Dan Logo - Red	2
	7330000528	Decal, Jerr-Dan Logo - White	2

# DECALS



**PART NUMBER INDEX**

<b>Part Number</b>	<b>Page</b>	<b>Part Number</b>	<b>Page</b>	<b>Part Number</b>	<b>Page</b>	<b>Part Number</b>	<b>Page</b>
4460933	140	70050141	38	70050187	104	70050252	124
4460942	140	70050142	40	70050188	104	70050253	124
7029865	124	70050143	42	70050189	104	70050255	124
8220164	96	70050144	42	70050190	104	70050256	124
70050004	42	70050145	42	70050191	104	70050257	124
70050005	42	70050146	42	70050192	104	70050260	124
70050068	38	70050147	42	70050193	104	70050300	74
70050085	44	70050148	42	70050194	104	70050301	74
70050086	44	70050149	42	70050195	104	70050302	74
70050113	34	70050150	42	70050196	104	70050303	74
70050114	34	70050151	44	70050197	104	70050308	126, 128
70050115	34	70050152	44	70050198	104	70050309	126, 128
70050116	34	70050153	44	70050199	104	70050310	126, 128
70050117	34	70050163	104	70050200	104	70050311	126
70050118	34	70050164	102	70050201	104	70050312	126, 128, 132
70050119	34	70050165	102	70050202	104	70050313	126, 132
70050120	34	70050166	102	70050203	104	70050314	126, 132
70050121	34	70050167	102	70050204	104	70050315	126, 128, 132
70050122	34	70050168	104	70050205	104	70050316	126, 128, 132
70050123	34	70050169	104	70050206	104	70050317	126
70050124	34	70050170	104	70050207	104	70050318	126, 128
70050125	34	70050171	104	70050208	104	70050319	126, 128, 130, 132
70050126	34	70050172	104	70050209	104	70050320	128
70050127	34	70050173	104	70050210	104	70050321	128
70050128	34	70050174	104	70050211	104	70050322	128
70050129	34	70050175	104	70050230	124	70050323	130
70050130	34	70050176	104	70050239	124	70050324	130
70050131	34	70050177	104	70050240	124	70050325	130, 132
70050132	34	70050178	104	70050241	124	70050326	130
70050133	34	70050179	104	70050242	124	70050327	130
70050134	36	70050180	104	70050243	124	70050328	132
70050135	36	70050181	104	70050245	124	70050329	132
70050136	36	70050182	104	70050246	124	70050330	132
70050137	36	70050183	104	70050247	124	70050331	132
70050138	38	70050184	104	70050249	124	70050467	132
70050139	38	70050185	104	70050250	124	70050468	132
70050140	38	70050186	104	70050251	124	78700000	130

# PART NUMBER INDEX

Part Number	Page	Part Number	Page	Part Number	Page	Part Number	Page
91084009	124	1001140266	118	1001141253	78	2503880025	66
91084010	124	1001140291	118	1001141264	90, 156	2503880077	64
91084017	124	1001140357	46, 118	1001141265	78, 84, 90, 96	2504880009	62
369800004	28	1001140385	12	1001141409	92	2504880010	60
369800006	20	1001140390	12	1001141567	156	2504880026	68
369800008	24	1001140440	16	1001141592	96, 134	2870000012	138
755200293	92	1001140471	14	1001141634	86	3020000037	60
1001117106	96	1001140481	14	1001141654	86	3020000038	60
1001126269	102	1001140488	6	1001141832	86	3020000059	62
1001127060	110	1001140518	72	1001141841	86	3020000060	62
1001127064	110	1001140519	72	1001141857	86	3071000071	54
1001127220	156	1001140520	72	1001141858	86	3071000074	28
1001129095	140	1001140522	72	1001141909	86	3071000077	20
1001129872	100, 104, 106	1001140722	8	1001142253	86	3071000079	24
1001130702	102	1001140894	8	1001142452	156	3071000112	50
1001131171	154	1001140895	8	1001143119	72	3073000013	32
1001131306	30	1001141067	70	1001143686	72	3170000187	52
1001132328	156	1001141068	70	1001143687	72	3170000192	26
1001132346	156	1001141085	76	1001145327	80	3170000289	52
1001134383	140	1001141086	76	1001145387	96	3170000294	48, 52
1001135461	140	1001141087	76	1001145388	96	3170000318	26
1001135464	140	1001141088	76	1001145389	96	3170000319	22
1001136447	110	1001141089	76	1001145401	118	3178000226	58
1001136559	8	1001141090	76, 86	1001145402	118	3178000426	64
1001136990	100, 102	1001141091	76	1001145440	118	3178000499	64
1001137438	118	1001141149	88	1001145441	118	3178000563	18
1001137439	118	1001141150	88	1001145499	96	3178000564	18
1001137453	72	1001141151	80	1001146735	96	3249000013	32
1001137913	118	1001141183	88	1001147414	32, 34, 36, 38, 40, 42, 44	3249000014	32
1001137963	80	1001141186	88	1001151407	32	3274000014	72
1001138018	90	1001141219	96	1001151556	156	3320000072	52, 54
1001138021	88	1001141220	96	1001154523	72	3320000080	26, 28
1001138022	88	1001141221	96	1001154524	72	3320000083	18, 20
1001139041	26	1001141222	96	1001154525	72	3320000085	22, 24
1001140254	118	1001141223	96	1001154526	72	3320000139	48, 50
1001140258	118	1001141249	78	2503880023	66	3484000036	62
1001140265	118	1001141252	78	2503880024	66	3484000037	62

**PART NUMBER INDEX**

<b>Part Number</b>	<b>Page</b>	<b>Part Number</b>	<b>Page</b>	<b>Part Number</b>	<b>Page</b>	<b>Part Number</b>	<b>Page</b>
3484000040.....	60	3913000064.....	56	4567132026.....	110	4706002828.....	26
3484000041.....	60	3913000071.....	18	4567132156.....	108	4706002887.....	18
3509570135.....	92	3913000072.....	18	4567133026.....	110	4706002918.....	6
3551000036.....	58, 60	4017000719.....	82	4567160042.....	110	4706002919.....	6
3553000014.....	28	4017001727.....	88	4567160053.....	110	4706002921.....	6
3553000016.....	20, 54	4178000349.....	108	4569120025.....	110	4706002922.....	6
3553000018.....	24	4178000402.....	100	4569121032.....	110	4706002925.....	6
3553000021.....	50	4178000427.....	138	4569121034.....	110	4706002926.....	6
3561000011.....	62	4209000019.....	52	4569121072.....	110	4706002927.....	6
3577000052.....	32	4249000003.....	32	4569121073.....	110	4706002928.....	6
3577000053.....	6	4254000014.....	24	4569140031.....	110	4706002929.....	6
3679000012.....	26	4254000016.....	50	4569143023.....	110	4706002930.....	6
3691000144.....	64	4263000689.....	92	4679000173.....	52	4706002931.....	6
3691000145.....	64	4263000941.....	88	4679000174.....	52	4706002932.....	6
3691000173.....	26	4309000001.....	118	4679000175.....	52	4706002992.....	18
3691000174.....	22	4309000007.....	118	4679000176.....	26	4706003844.....	108
3691000175.....	22	4314000102.....	92	4679000177.....	26	4706004511.....	110
3691000176.....	22	4346000005.....	138	4679000178.....	26	4831000061.....	26
3691000181.....	32	4553000010.....	28	4679000323.....	88	4831000071.....	52
3691000281.....	18	4553000016.....	20, 54	4691000103.....	56	4831000121.....	80
3698000006.....	54	4553000018.....	24	4691000329.....	52	4831000122.....	118
3698000013.....	50	4553000020.....	50	4691000330.....	52	4949000047.....	56
3706000142.....	18	4561000012.....	62	4691000333.....	26	4949000053.....	22
3706000150.....	66	4567110046.....	110	4691000335.....	18	4949000054.....	22
3706000311.....	64	4567112023.....	110	4691000345.....	18	4949000055.....	32
3750000027.....	10	4567112074.....	110	4691000346.....	18	4949000056.....	32
3763000089.....	54	4567120017.....	110	4691000356.....	62	4949000056.....	32
3763000094.....	28	4567120021.....	110	4691000432.....	48	4978000046.....	138
3763000095.....	24	4567120025.....	110	4691000433.....	48	4978000047.....	150
3763000096.....	20	4567120035.....	110	4691000434.....	48	5526000553.....	92, 110
3763000124.....	50	4567122027.....	110	4691000608.....	18	7007000057.....	58
3870000005.....	142	4567122032.....	110	4698000009.....	28	7007000058.....	58
3870000007.....	146	4567122033.....	110	4698000015.....	20, 54	7011000007.....	84
3870000009.....	150	4567122035.....	110	4698000017.....	24	7056000007.....	66, 68
3870000021.....	148	4567122038.....	110	4698000021.....	50	7056000008.....	66, 68
3870000022.....	144	4567123029.....	110	4706001478.....	100	7056000009.....	66, 68
3912000011.....	62	4567130032.....	110	4706001799.....	26	7075000003.....	134
		4567130155.....	108	4706001815.....	82	7105150450.....	52



# PART NUMBER INDEX

Part Number	Page	Part Number	Page	Part Number	Page	Part Number	Page
7114140418.....	76	7118140423.....	26, 52	7330000200.....	156	7443000148.....	152
7114140423.....	88	7118140527.....	52	7330000203.....	156	7443000152.....	46
7114140518.....	18	7118151623.....	110	7330000208.....	152	7443000154.....	46
7114140618.....	92, 118	7118181250.....	32	7330000209.....	152	7443000155.....	46
7114140818.....	12, 14, 92, 118, 134	7118181450.....	32	7330000210.....	46	7443000156.....	46
7114140823.....	26, 88	7118201616.....	6, 32	7330000211.....	156	7443000158.....	110
7114141018.....	76	7118221650.....	64	7330000247.....	134	7443000173.....	46
7114150618.....	76	7118265650.....	64	7330000253.....	156	7443000174.....	46
7114150818.....	76	7120000025.....	26	7330000262.....	156	7443000175.....	46
7114161218.....	12, 16	7120000034.....	138	7330000288.....	138	7443000177.....	46
7115140650.....	86, 88	7178000025.....	92	7330000324.....	62	7443000178.....	46
7115140850.....	88, 108, 140	7189000014.....	26	7330000325.....	62	7443000231.....	8, 110
7115141250.....	154	7209000028.....	56	7330000337.....	156	7443000240.....	110
7115141450.....	88	7209000039.....	22	7330000433.....	156	7443000241.....	8, 110
7115142050.....	32	7209000050.....	48	7330000528.....	156	7443000244.....	132
7115150850.....	86, 118	7247000040.....	108	7330000599.....	156	7443000254.....	108
7115150864.....	152	7248000058.....	32	7345000055.....	152	7443000431.....	132
7115151050.....	108	7248000145.....	32	7345001710..	138, 144, 146, 148, 150	7443000441.....	108
7115151250.....	110	7253000002... 56	20, 22, 28, 32, 48, 54, 56	7345001713.....	150	7443000459.....	46
7115151450.....	82	7262000026.....	58	7345001714.....	140, 144, 146, 148	7444121050.....	108
7115151650.....	110	7262000038.....	6	7345001910.....	138, 146	7444121271.....	108
7115152450.....	118	7274000028.....	108	7345001914.....	138, 142, 144, 148	7445040443.....	110
7115160650.....	26	7274000052.....	86	7345221601.....	150	7445040446.....	110
7115160850.....	22	7274000071.....	108	7345221702.....	140	7445040643.....	110
7115161250.....	26, 78, 88	7274000076.....	108	7346000039... 144, 146, 148, 150	92, 96, 100, 140, 142, 144, 146, 148, 150	7445040645.....	110
7115161450.....	78	7274000109.....	6	7346000078.....	152	7445060219.....	110
7115161650.....	22	7280000006.....	96	7346000126.....	138	7445060439.....	110
7115180750.....	26	7291000010.....	134	7413000002.....	12, 14, 92, 118, 134	7445060625.....	8
7115180850.....	26	7295000107.....	134	7430000004.....	110	7445060637.....	110
7115181050.....	66, 80	7312000015.....	152	7430000010.....	108	7445060643.....	110
7115181250.....	68	7312000016.....	152	7440030000... 56	20, 22, 28, 32, 48, 54, 56	7445060645.....	110
7115181450.....	26, 100	7312000017.....	46	7443000108.....	8, 110	7445060646.....	110
7115181650.....	72	7330000034.....	156	7443000139.....	46	7445060647.....	110
7115181850.....	10, 92	7330000122.....	156	7443000145.....	152	7445060648.....	110
7115182050.....	88	7330000143.....	156	7443000146.....	152	7445060845.....	110
7115183650.....	80	7330000199.....	156			7445061043.....	110
7115202850.....	72					7445080825.....	8

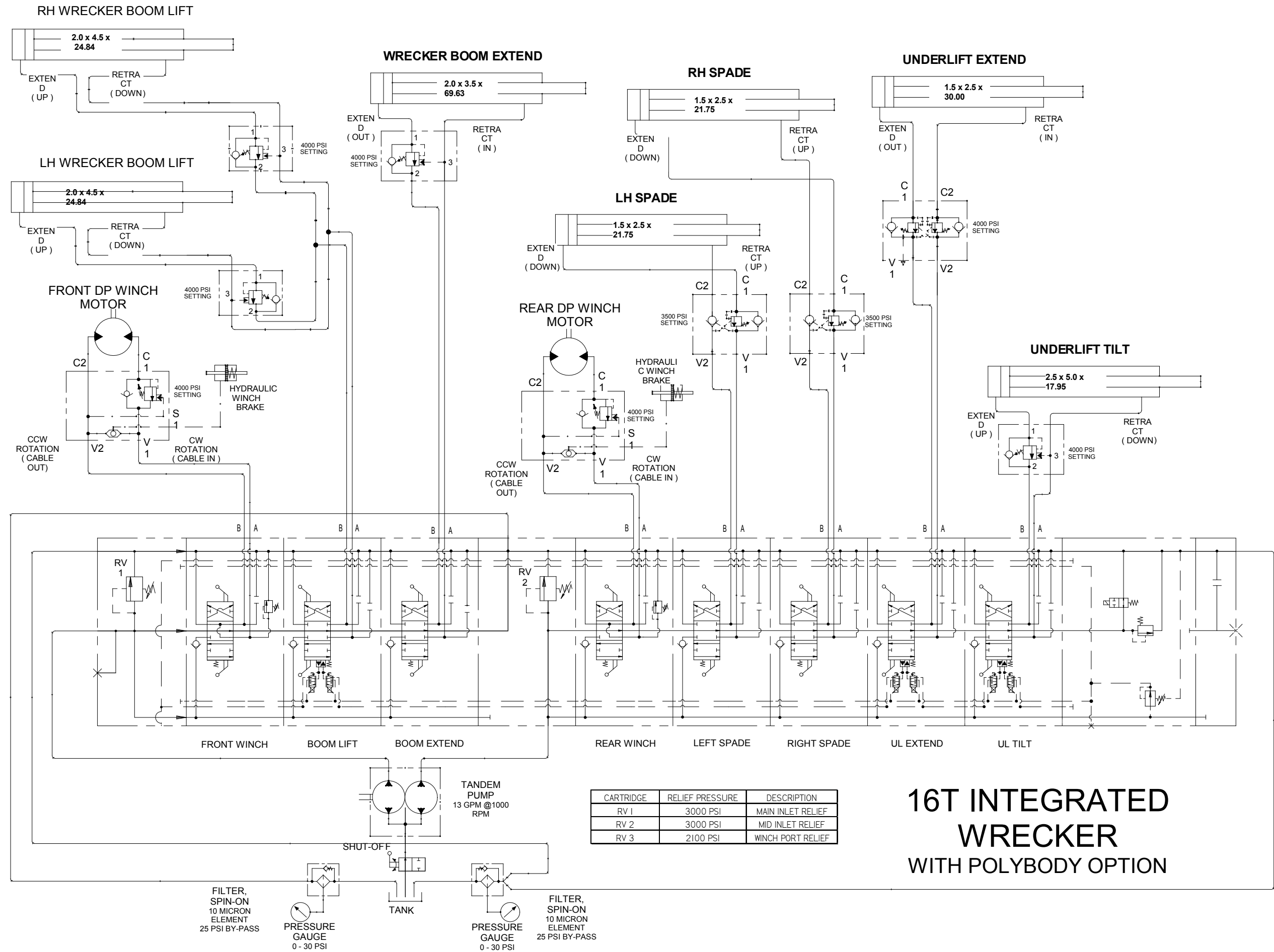
**PART NUMBER INDEX**

<b>Part Number</b>	<b>Page</b>	<b>Part Number</b>	<b>Page</b>	<b>Part Number</b>	<b>Page</b>	<b>Part Number</b>	<b>Page</b>
7445080843	110	7577250206	20, 54	7691000025	64	7755330000	20, 54
7445080845	110	7577250236	24	7691000030	62	7755330609	20, 54
7445081045	110	7590000049	128	7691000031	18, 58, 62	7755338000	28
7445081243	108	7590000105	92	7691000035	118	7755338609	28
7445081245	108	7590000144	92	7691000075	118	7755346000	24
7445081645	108	7590000185	96	7706000001	132	7755346609	24
7445121245	110	7590000262	96	7706000003	126	7755350000	50
7445121619	110	7590000282	96	7706000004	128	7755350609	50
7445242403	108	7590000284	96	7706000005	126, 130, 132	7759000004	62, 156
7446382506	152	7590000304	96	7724000024	108	7759000018	70
7446502518	46, 152	7590000317	96	7724000153	108	7785152420	108
7454000003	58	7636000006	10	7754000005	48	7790080871	150
7454000004	58	7636000008	72	7754000006	18, 52	7790141651	142, 144, 146, 148
7454000005	58	7638000007	82	7754000009	118	7792000001	96
7454000006	58	7650100137	108	7754000012	28	7796000011	24, 28
7457000014	140	7660140000	86	7754000016	28	7796000012	118
7457000015	138, 140	7660140234	118	7754000024	56	7796000013	28
7470000002	110	7660142601	32, 108, 140	7754000027	28	7796000025	24, 28
7470000003	10	7660142604	26, 76, 86, 88, 154	7754000033	32	7796000045	20, 54
7493000003	142, 144, 146, 148, 150	7660152601	82, 108, 110, 118, 152	7754000043	26	7796000046	20, 54
7493000011	46	7660152604	76, 86	7754000049	32	7796000053	20
7493000026	96	7660160000	26	7754000051	54	7796000058	50
7551000033	118	7660161600	22	7754000053	54	7796000059	50
7552000151	134	7660162601	12, 16, 78, 88	7754000054	20, 54	7796000061	24
7552000202	150	7660180000	108	7754000061	48	7796000064	28
7552000358	134	7660182301	72	7754000062	18, 52	7796000067	20, 54
7552000359	144, 148	7660182601	10, 26, 80, 88, 92, 100	7754000063	50	7796000087	50
7561000020	68	7660200001	72	7754000065	24	7796000096	134
7565000014	46, 152	7660202601	108	7754000066	24	7796000101	92
7565000016	46	7661000006	118	7754000071	20	7804000003	22
7565000019	126, 128	7661000018	6, 32	7754000077	50	7809000020	32
7577000145	152	7661000019	92	7755222000	20, 54	7819000005	110
7577000327	50	7661000034	20, 54	7755222609	20, 54	7821000009	88
7577000681	30	7661000035	24, 28, 50	7755226000	24, 28	7865182065	108
7577000682	110	7691000019	18	7755226609	24, 28	7870000045	126, 132
7577000683	110	7691000020	62	7755230000	50	7870000052	130
7577250025	28	7691000021	58	7755230609	50	7870000058	148

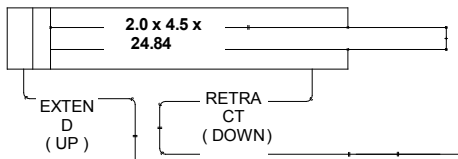
# PART NUMBER INDEX

Part Number	Page	Part Number	Page	Part Number	Page	Part Number	Page
7870000062	132	7949000019	72	9183960001	44		
7870000064	142	7949000020	72	9209960026	44		
7870000068	144	7950100163	92	9330740004	130		
7870000075	146	7950140000	18, 52, 134	9346760019	126		
7870000079	150	7950140141	18, 88, 142, 144, 146, 148	9346930086	124		
7870000083	138	7950140143	12, 14, 76, 86, 92, 118, 154, 156	9552740006	130		
7894000004	86	7950140152	108	9590310195	102		
7894000028	62	7950140161	46, 52, 140	9590310197	102		
7894000031	46, 96	7950140163	88	9590310200	102		
7894000034	60	7950150000	52, 118	9590310202	102		
7894000041	62	7950150143	76	9590310203	102		
7894000042	92	7950150161	82, 86, 108, 110, 118, 152	9590310205	102		
7912000078	110	7950160000	22, 26	9590310206	102		
7912000173	30	7950160141	78, 88	9698960015	44		
7912000175	110	7950160153	12, 16, 26	9701960011	44		
7912000293	8	7950160160	22	9701960012	44		
7912000294	8	7950160161	22	9701960018	44		
7912000295	8	7950160251	26	9740740002	130		
7912000336	8	7950180000	26, 32, 34, 66, 68, 108	9754960026	44		
7912000337	8	7950180141	10	9754960046	44		
7912000338	8	7950180143	88	9754960047	44		
7912000339	8	7950180153	26, 80	9754960118	44		
7935000104	128	7950180161	80, 92	9796960119	44		
7935000116	108	7950180252	32, 72	9796960145	34		
7935000120	46	7950180800	34	9796960146	34		
7935000136	46	7950200161	72, 108	9796960188	38, 44		
7935000229	46	7990000003	118	9831960028	38		
7935000293	118, 124	8565000026	108	9843960032	44		
7935000307	110	8594100003	96	9935740034	126, 128		
7935000308	110	8597650001	140	9935930119	124		
7935000309	110	8597650002	96, 140	9935960122	124		
7935000315	124	8632000002	16	9949000056	38		
7935000316	124	8977510200	140	9949960050	44		
7935000317	124	8977540200	96, 140	9949960057	38		
7935000323	124						
7949000015	10						
7949000016	10						

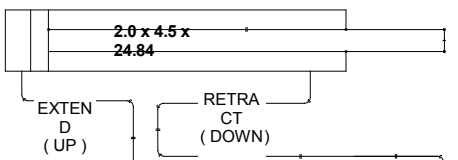
**THIS PAGE INTENTIONALLY LEFT BLANK**



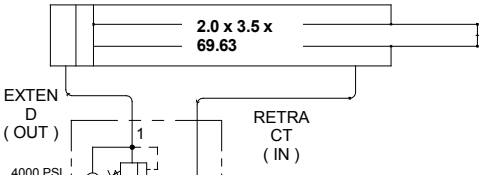
RH WRECKER BOOM LIFT



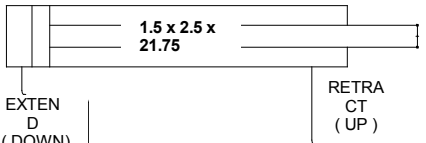
LH WRECKER BOOM LIFT



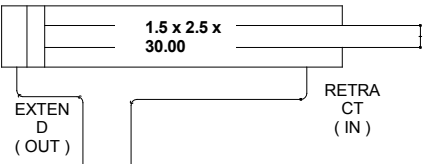
WRECKER BOOM EXTEND



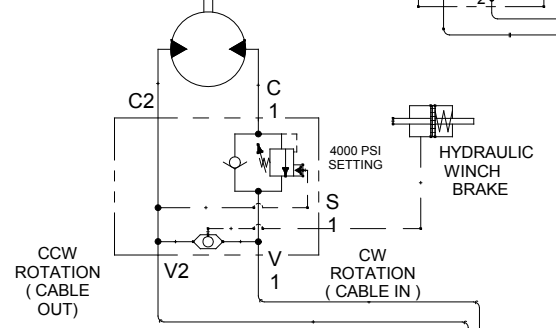
RH SPADE



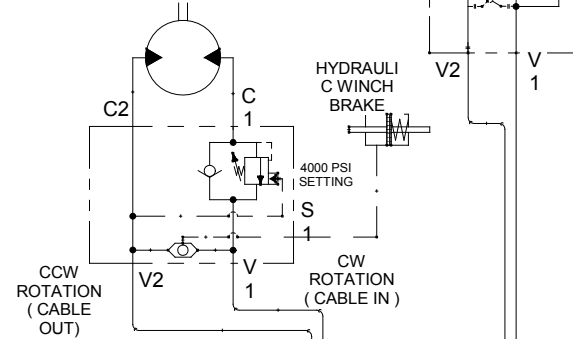
UNDERLIFT EXTEND



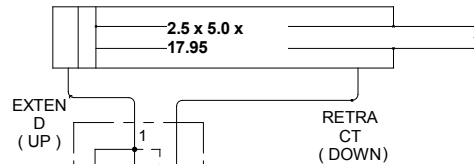
FRONT DP WINCH MOTOR



REAR DP WINCH MOTOR



UNDERLIFT TILT



FRONT WINCH

BOOM LIFT

BOOM EXTEND

REAR WINCH

LEFT SPADE

RIGHT SPADE

UL EXTEND

UL TILT

TANDEM PUMP  
13 GPM @1000 RPM

CARTRIDGE	RELIEF PRESSURE	DESCRIPTION
RV 1	3000 PSI	MAIN INLET RELIEF
RV 2	3000 PSI	MID INLET RELIEF
RV 3	2100 PSI	WINCH PORT RELIEF

**16T INTEGRATED  
WRECKER  
WITH POLYBODY OPTION**

FILTER, SPIN-ON  
10 MICRON  
ELEMENT  
25 PSI BY-PASS

PRESSURE GAUGE  
0 - 30 PSI

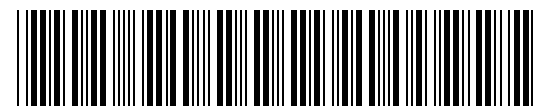
SHUT-OFF  
TANK

PRESSURE GAUGE  
0 - 30 PSI

FILTER, SPIN-ON  
10 MICRON  
ELEMENT  
25 PSI BY-PASS







5376000162-0