

# MPL-NG STANDARD DUTY WRECKER PARTS MANUAL

S/N (0230005338) TO PRESENT

# **JERR-DAN**<sup>®</sup>

An Oshkosh Corporation Company

13224 Fountainhead Plaza  
Hagerstown, MD 21742  
Phone (717) 597-7111  
[www.jerr-dan.com](http://www.jerr-dan.com)

5-376-000220  
Rev A

© 2018 Jerr-Dan Corporation. All Rights Reserved



This manual covers the following Jerr-Dan Models:

## MPL-NG

Jerr-Dan Corporation strives to provide information that is accurate, complete and useful. Descriptions and illustrative material contained within this manual are as accurate as known at the time of publication and are subject to change, without notice, as a result of continuous product improvements. Jerr-Dan reserves the right to amend the information in this document at any time without prior notice.

Information contained in this manual reflects how this vehicle was built at the factory. Modifications or additions by the distributor or owner are not reflected in this manual.

This parts manual does not include service parts information for the commercial chassis (IHC, Ford, GM, etc.). That information is provided by the chassis manufacturer.

When ordering parts, please refer to your unit's Serial Number and Model Number. This information is be found on the aluminum tag riveted to the inside of the driver's side rear compartment of the main body.



Additional or replacement manuals can be ordered by calling Jerr-Dan Parts at 717-597-7111. Price and availability will be quoted at time of the request.

Please report comments and/or errors by contacting Jerr-Dan Corporation's Technical Publications Department by e-mail at [technicalpublications@jerr-dan.com](mailto:technicalpublications@jerr-dan.com) or by FAX on 717-485-7162.

Manufactured under one or more of the following patents: 5,575,606; 5,672,042; 5,697,741; 5,713,714; 5,722,810; 5,782,596; 5,839,775 and 6,315,515 B1 with other Patents Pending.

Jerr-Dan and the Jerr-Dan logo are registered trademarks and Run Hard is a service mark of Jerr-Dan Corporation, Hagerstown, MD USA.

The material in this document is confidential and the property of Jerr-Dan Corporation. No part of this document may be photocopied, Reproduced or translated to another language without the express written consent of Jerr-Dan Corporation.

**EFFECTIVITY PAGE**

November 1, 2018 - Original Issue of Manual - Rev. A

# TABLE OF CONTENTS

<b>SECTION 1 - SUBFRAME.....</b>	<b>7</b>	Lights, Pylon, LED, Marker, 12V 1PR.....	158
Hydraulic Tank.....	10	Lights, Pylon, LED, Marker, 12V 3PR.....	160
<b>SECTION 2 - BOOM.....</b>	<b>15</b>	Lightbar, Amber, Code3, 58", 10 Light Head, 12V.....	162
Hydraulic Grid Assembly.....	30	Light, D.O.T. ID Bar, No Lightbar 12V.....	164
L-Arm Storage Installation.....	32	Lightbar, Amber, Whelen, 60", 12V.....	166
Bracket, Tow Ball.....	34	Lightbar, Amber, Code3, 58", 10 Light Head, 12V.....	168
Winch Assembly 8K RH.....	38	Backup Alarm Installation - 97Db.....	170
Cable Tensioner Installation.....	40	Backup Alarm Installation - Variable.....	172
<b>SECTION 3 - BODY.....</b>	<b>43</b>	Switch Panel, 2 Function.....	174
Fender Flare Alum Body 1.62".....	54	Switch Panel, 4 Function 11-16 Ford OEM F450/550.....	176
Fender Flare Alum Body 3.50".....	56	Switch Panel, 4 Function 2011+ Ford F650/750.....	178
Mud Flaps.....	58	Switch Panel, 5 Function In-Dash 2013 Dodge.....	180
Tunnel Toolbox Installation.....	60	Switch Panel, 6 Function 2017 Ford OEM F450/550.....	182
Tunnel Toolbox Installation.....	62	Installation Electrical MPL 84CA 3 Marker.....	184
Tunnel Tool Compartment, 22" Alum Isuzu NRR.....	64	Electrical Assembly Base Pylon MPL40/MPL-NG 60"CA.....	188
Stone Guard Kit Aluminum Tunnel Toolbox.....	66	Electrical Assembly Pylon & Tunnel.....	190
Stone Guard Kit Aluminum Body.....	68	<b>SECTION 8 - DECAL.....</b>	<b>193</b>
Light Pylon Installation 37".....	70	Decal Installation.....	194
Light Pylon Installation 28.31".....	72	<b>SECTION 9 - ACCESSORIES.....</b>	<b>197</b>
Light Pylon Installation 41.50".....	74	Tow Dolly Installation.....	200
Light Pylon Installation 50".....	76	Motorcycle Tow Bracket Installation.....	202
Fold Down Light Bar.....	78	Tow Accesory 5th Wheel.....	204
Light Pylon Installation 33".....	80	Upper Work Light Installation.....	206
Light Pylon Installation 34" Aluminum MPL Series.....	82	Lower Work Light Installation.....	208
Light Pylon Installation 28.31" MPL40.....	84	Wireless Remote Installation.....	210
Installation Pylon 37" 3 Marker.....	86	Wireless Remote Holder Installation.....	214
<b>SECTION 4 - CONTROL.....</b>	<b>89</b>	Backup Camera W/ DVR Installation.....	218
<b>SECTION 5 - CYLINDER.....</b>	<b>109</b>	Backup Camera Installation.....	220
Cylinder Assembly - 7320000077.....	114		
Cylinder Assembly - 7320000064.....	116		
<b>SECTION 6 - HYDRAULIC.....</b>	<b>119</b>		
Underlift Hose Track Assembly.....	122		
<b>SECTION 6 - ELECTRICAL.....</b>	<b>147</b>		
MPL-40 Body Wiring Installation.....	148		
Lights, Body, LED, Stop Turn Tail & Markers - 12V.....	150		
Lights, Body, LED, Stop Turn Tail & Markers - 12V.....	152		
Tail Light Installation.....	154		
Tail Light Installation MPL40/MPL-NG.....	156		

**THIS PAGE INTENTIONALLY LEFT BLANK**

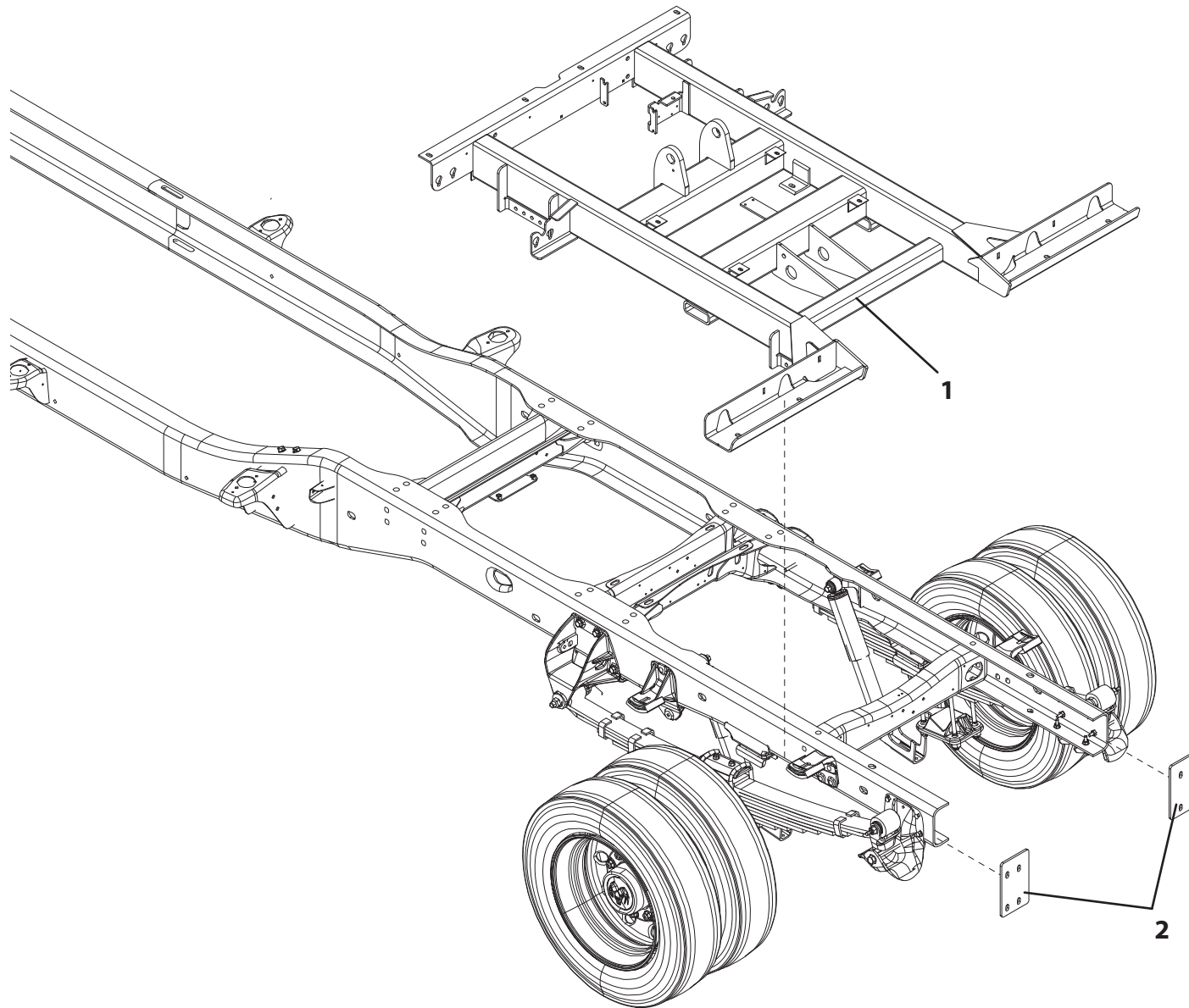
**SECTION 1 - SUBFRAME**

**SUBFRAME INSTALLATION**

ITEM	PART NO.	DESCRIPTION	QTY	REV
	1001196791	Subframe Installation	Ref	A
1	1001196792	Subframe	1	
2	4706004919	Plate	2	



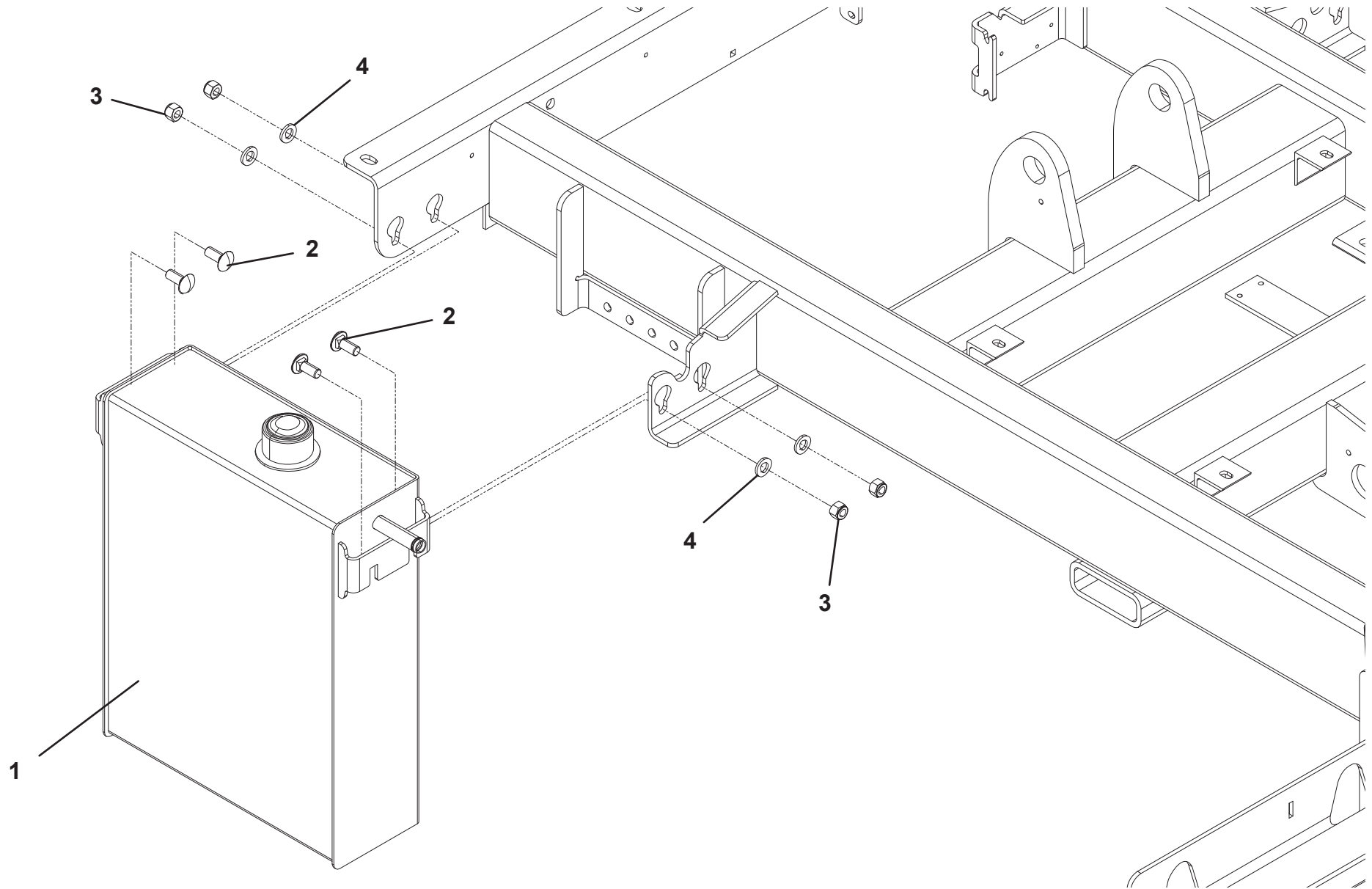
# SUBFRAME INSTALLATION



**HYDRAULIC TANK**

ITEM	PART NO.	DESCRIPTION	QTY
1	3750000061	Reservoir	1
2	7115181064	Bolt, 0.50" - 13NC x 1.25"	4
3	7660182601	Locknut, 0.50" - 13NC	4
4	7950180153	Flatwasher, 0.50" ID	4

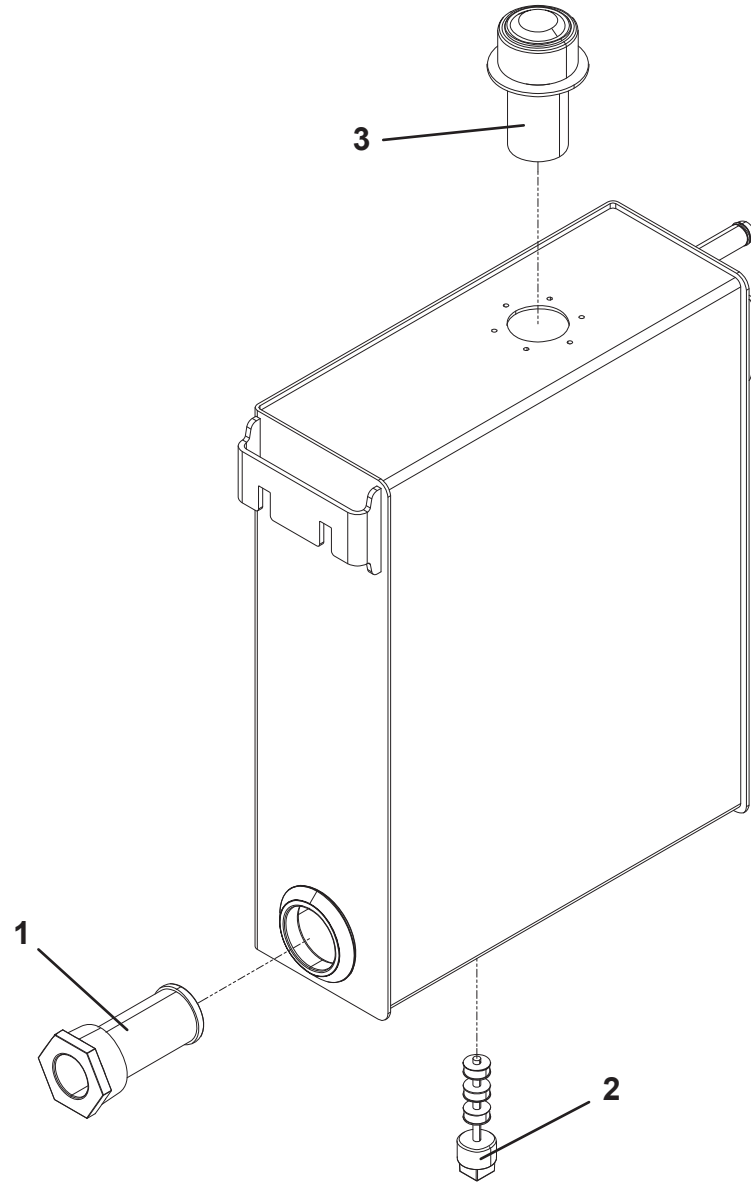
# HYDRAULIC TANK



**HYDRAULIC TANK RESERVOIR ASSEMBLY**

ITEM	PART NO.	DESCRIPTION	QTY	REV
	3750000061	Hydraulic Tank Reservoir Assembly	Ref	B
1	4811001093	Sheet	1	
2	4811001094	Sheet	1	
3	4686000234	Panel	1	
4	7912000290	Tube	1	
5	4497000553	Gusset	1	
6	4178000690	Bracket	2	
7	7449000011	Flange 2.00"	1	
8	7449000012	Flange 1.00"	1	
9	7430000010	Filter Tank	1	
10	7701000026	Plug	1	
11	7183000008	Breather	1	

# HYDRAULIC TANK RESERVOIR ASSEMBLY



**THIS PAGE INTENTIONALLY LEFT BLANK**

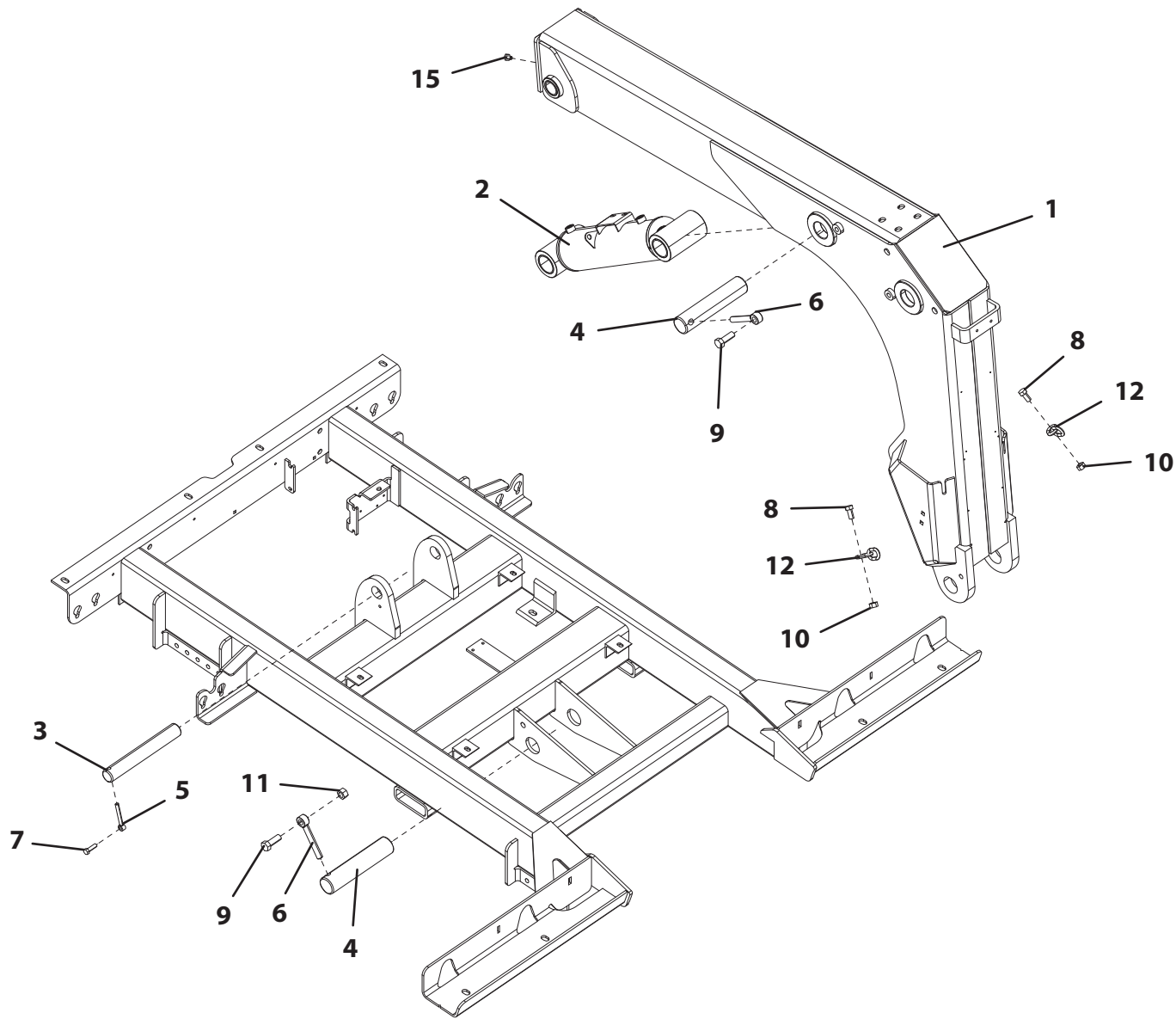
## SECTION 2 - BOOM

**KNEE BOOM INSTALLATION**

ITEM	PART NO.	DESCRIPTION	QTY	REV
	1001196813	Knee Boom Installation	Ref	A
1	1001196814	Knee Boom	1	
2	1001194371	Boom Lift Cylinder (See Separate Breakdown in CYLINDER Section)	1	
3	1001191715	Pin	1	
4	1001191717	Pin	2	
5	3841143	Keeper	1	
6	3841258	Rod	2	
7	0681610	Capscrew, 0.38"-16NC X 1.25"	1	
8	0641808	Capscrew, 0.5"-13NC X 1.00"	2	
9	0682014	Capscrew, 0.63"-11NC X 1.75"	2	
10	3271805	Locknut, 0.50"-13NC	2	
11	3272005	Locknut, 0.63"-11NC	1	
12	7262000040	Chain Link	2	
13	1001095650	Loctite 243	A/R	
14	3020039	Lubricant	A/R	
15	1001204780	Plug	1	



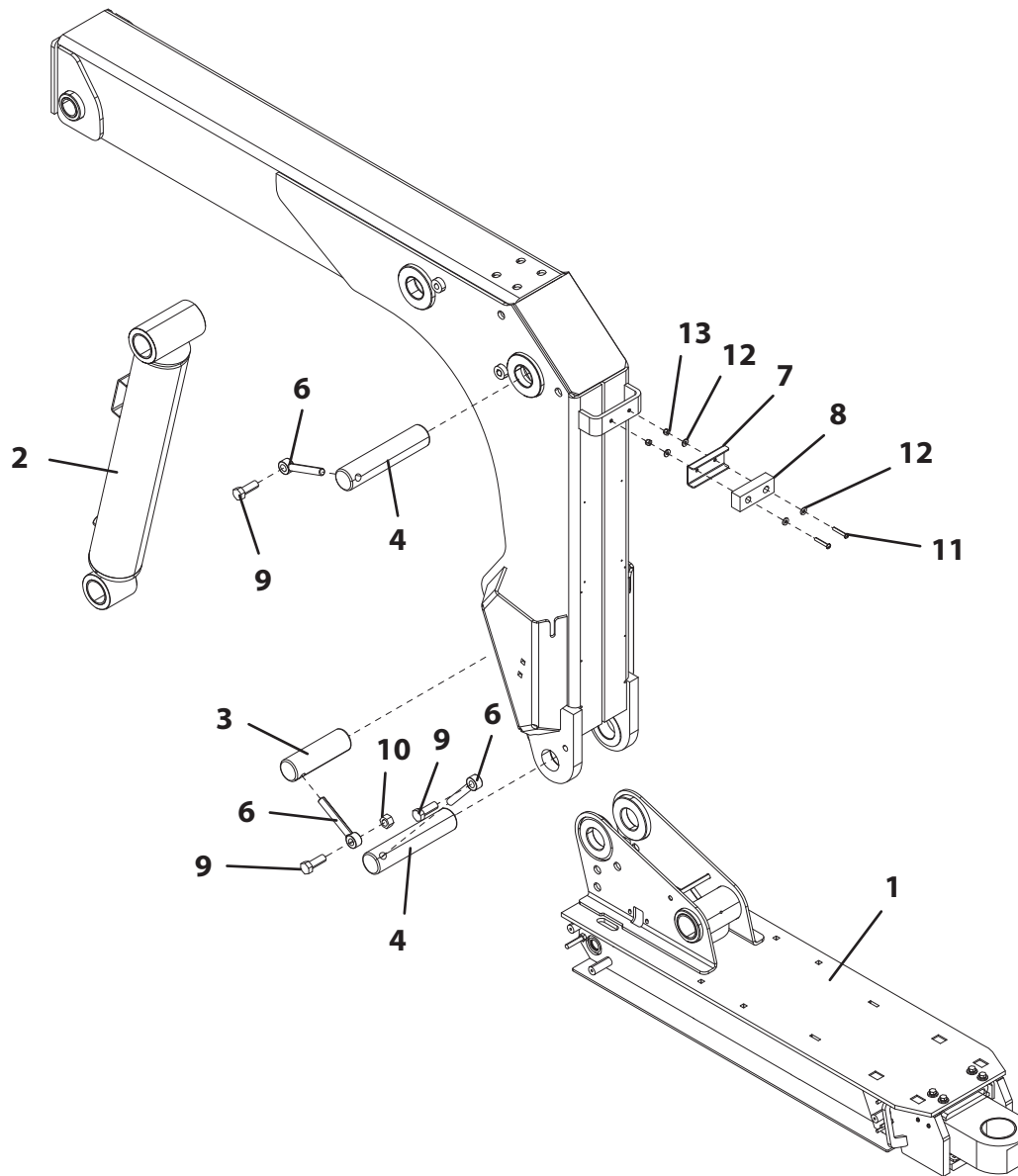
# KNEE BOOM INSTALLATION



**UNDERLIFT BOOM INSTALLATION HYD FIXED GRID**

ITEM	PART NO.	DESCRIPTION	QTY	REV
	1001196913	Underlift Boom Installation Hyd Fixed Grid	Ref	A
1	1001196509	Underlift Boom Assembly Hydraulic Grid (See Separate Breakdown in this Section)	1	
2	1001194372	Underlift Tilt Cylinder (See Separate Breakdown in CYLINDER Section)	1	
3	1001191718	Pin	1	
4	1001191717	Pin	2	
5	4949000050	Washer	2	
6	3841258	Keeper	3	
7	4263000814	Channel	1	
8	7189000023	Bumper	1	
9	0682014	Capscrew, 0.63"-11NC X 1.75"	3	
10	3272005	Locknut, 0.63"-11NC	1	
11	7114141218	Screw, 0.50"-20NC X 1.50"	2	
12	7950140143	Flatwasher, 0.25" ID	4	
13	7660142604	Locknut, 0.25"-20NC	2	
14	3020039	Lubricant	A/R	
15	1001095650	Loctite 243	A/R	

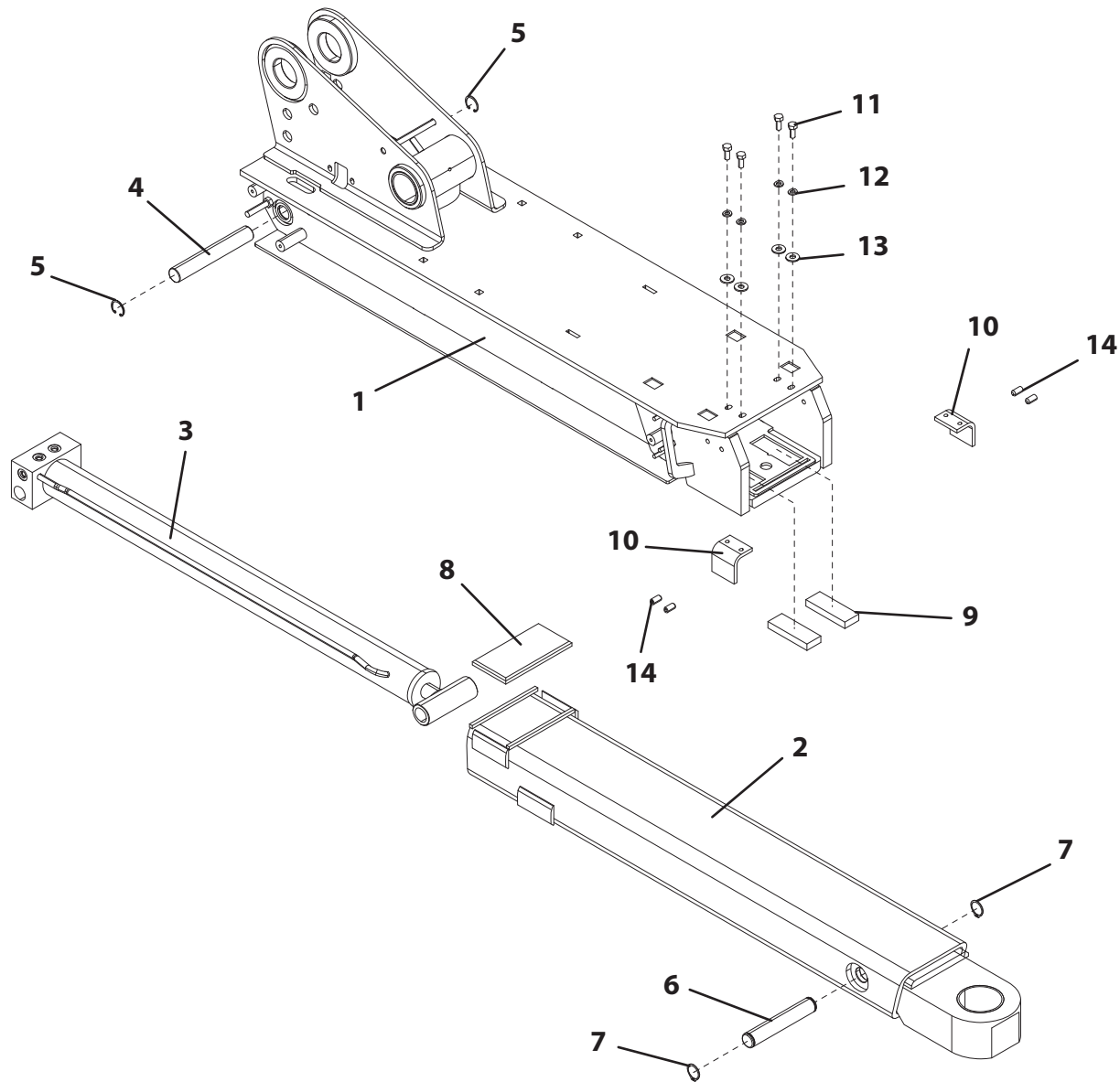
# UNDERLIFT BOOM INSTALLATION HYD FIXED GRID



**UNDERLIFT ASSEMBLY HYDRAULIC GRID**

ITEM	PART NO.	DESCRIPTION	QTY	REV
	1001196509	Underlift Assembly Hydraulic Grid	Ref	A
1	1001196510	Boom, Base	1	
2	3170000346	Boom, Inner	1	
3	7320000077	Cylinder Assembly (See Separate Breakdown in CYLINDER Section)	1	
4	4691000308	Pin	1	
5	7754000056	Snap Ring	5	
6	4691000307	Pin	1	
7	3760115	Retaining Ring	2	
8	4679000046	Pad	1	
9	4679000213	Pad	2	
10	4017001502	Angle	2	
11	7104150624	Capscrew, 0.31"-24NF X 0.75"	4	
12	4761500	Washer, 0.31" ID	4	
13	4751500	Washer, 0.31" ID	4	
14	7785161274	Screw, 0.38"-16NC X .0 75"	4	
15	3020039	Moly Paste	A/R	
16	1001152707	Lubricant	A/R	
17	1001155141	Lubricant	A/R	
18	1001095650	Adhesive	A/R	
19	1001204776	Grease Fitting	1	

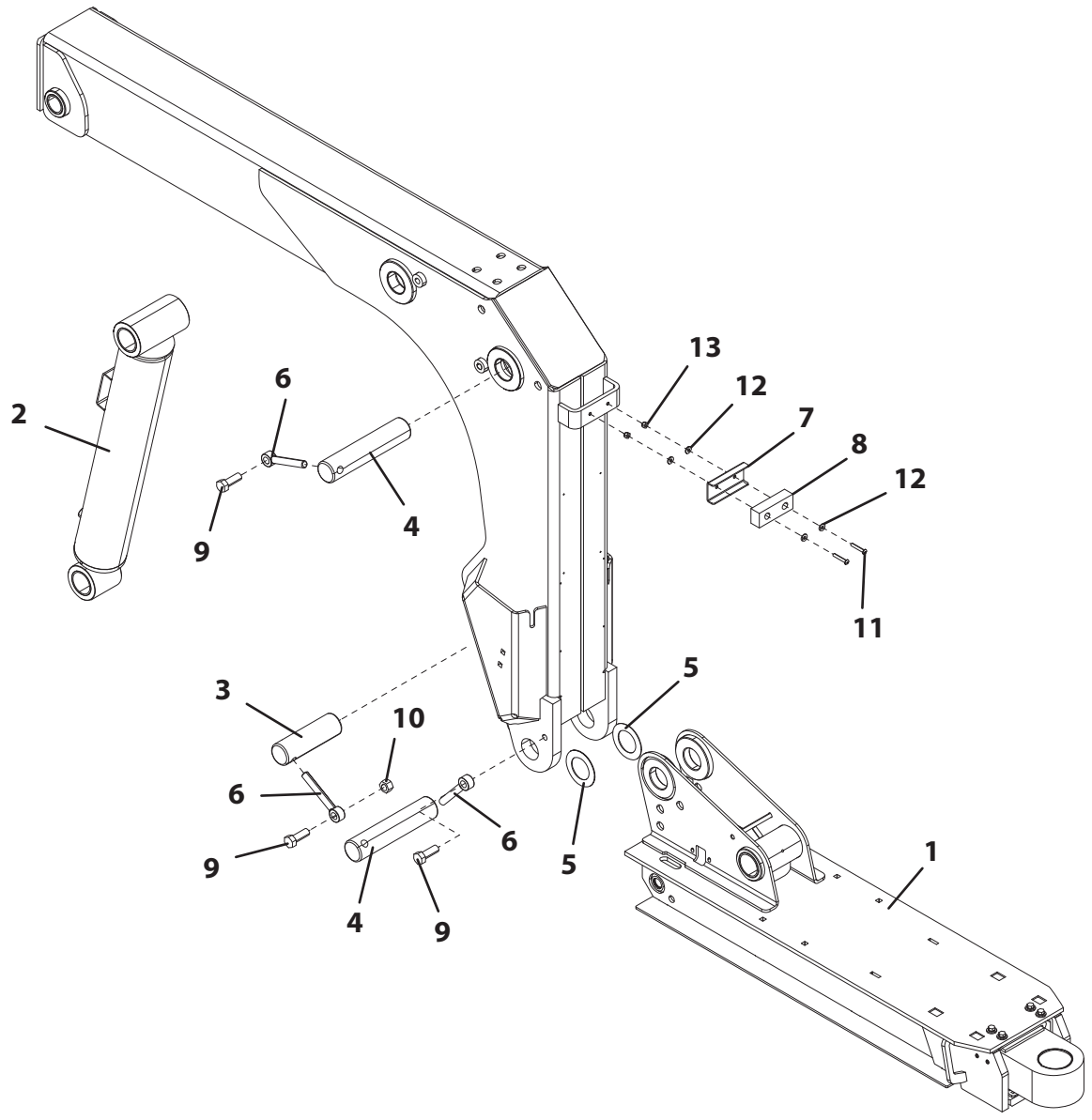
# UNDERLIFT ASSEMBLY HYDRAULIC GRID



**UNDERLIFT BOOM INSTALLATION MAIN GRID**

ITEM	PART NO.	DESCRIPTION	QTY	REV
	1001208065	Underlift Boom Installation Main Grid	Ref	A
1	1001207975	Underlift Boom Assembly Main Grid (See Separate Breakdown in this Section)	1	
2	1001194372	Underlift Tilt Cylinder (See Separate Breakdown in CYLINDER Section)	1	
3	1001191718	Pin	1	
4	1001191717	Pin	2	
5	4949000050	Washer	2	
6	3841258	Keeper	3	
7	4263000814	Channel	1	
8	7189000023	Bumper	1	
9	0682014	Capscrew, 0.63"-11NC X 1.75"	3	
10	3272005	Locknut, 0.63"-11NC	1	
11	7114141218	Screw, 0.50"-20NC X 1.50"	2	
12	7950140143	Flatwasher, 0.25" ID	4	
13	7660142604	Locknut, 0.25"-20NC	2	
14	3020039	Lubricant	A/R	
15	1001095650	Loctite 243	A/R	

# UNDERLIFT BOOM INSTALLATION MAIN GRID

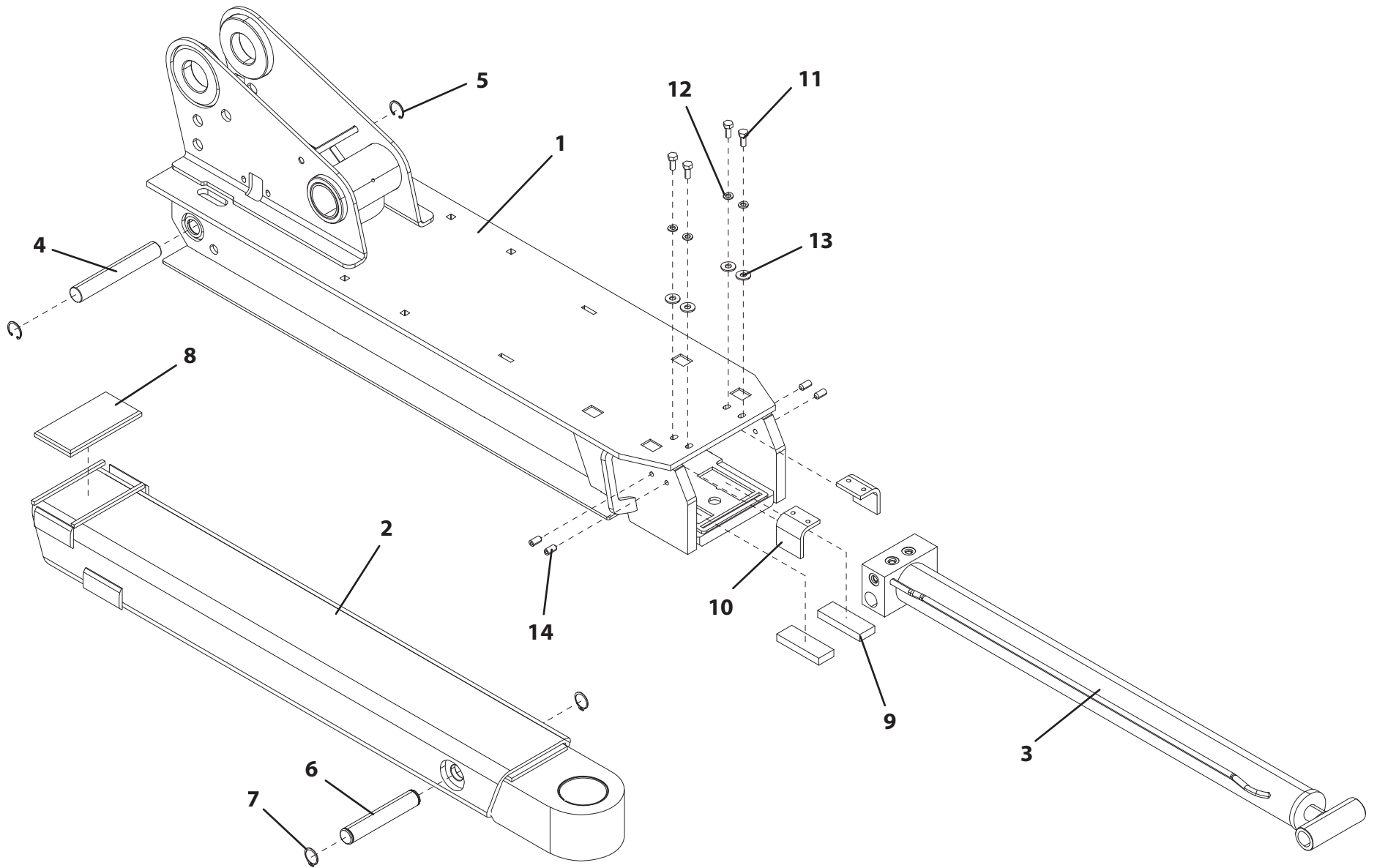


**UNDERLIFT BOOM ASSEMBLY MANUAL GRID**

ITEM	PART NO.	DESCRIPTION	QTY	REV
	1001207975	Underlift Boom Assembly Manual Grid	Ref	B
1	1001207976	Base Boom Weld Hyd Grid	1	
2	3170000393	Fly Boom Main Grid	1	
3	7320000077	Cylinder Assembly (See Separate Breakdown in CYLINDER Section)	1	
4	4691000308	Pin	1	
5	7754000056	Snap Ring	2	
6	4691000307	Pin	1	
7	3760115	Retaining Ring	2	
8	4679000046	Pad	1	
9	4679000213	Pad	2	
10	4017001502	Angle	2	
11	7104150624	Capscrew, 0.31"-24NF X 0.75"	4	
12	4761500	Washer, 0.31" ID	4	
13	4751500	Washer, 0.31" ID	4	
14	7785161274	Screw, 0.38"-16NC X .0 75"	4	
15	3020039	Moly Paste	A/R	
16	1001152707	Lubricant	A/R	
17	1001155141	Lubricant	A/R	
18	1001095650	Adhesive	A/R	
19	1001204776	Grease Fitting	1	



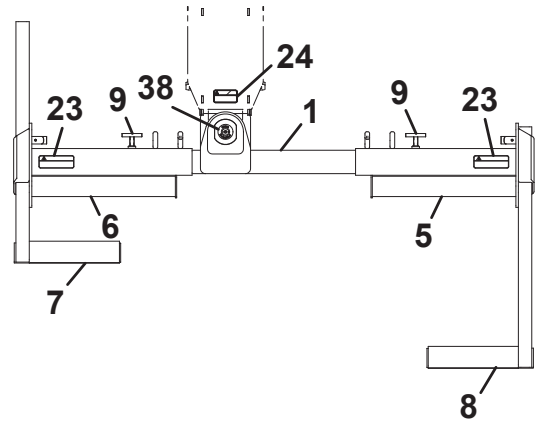
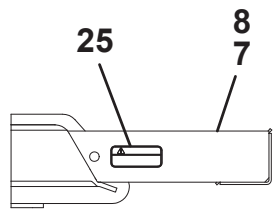
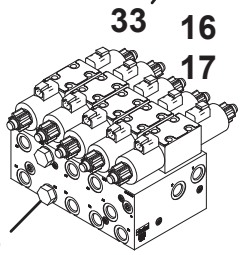
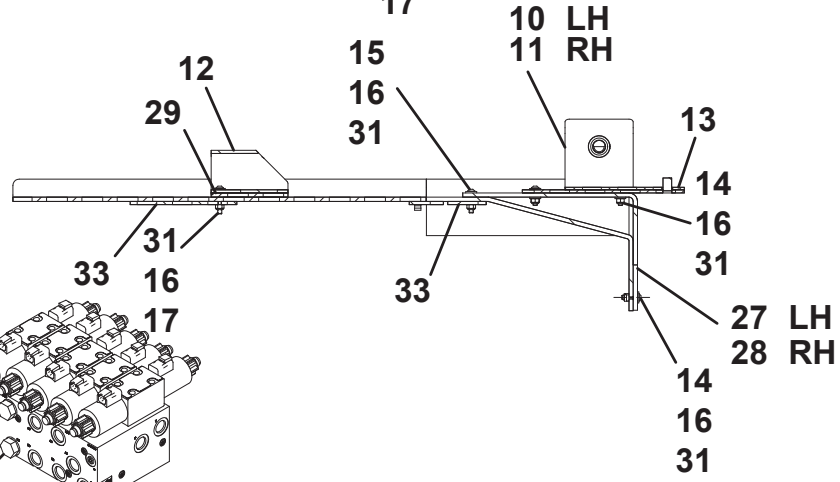
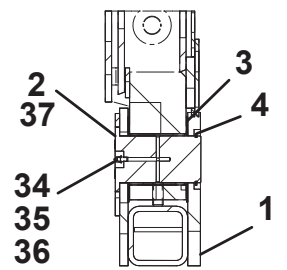
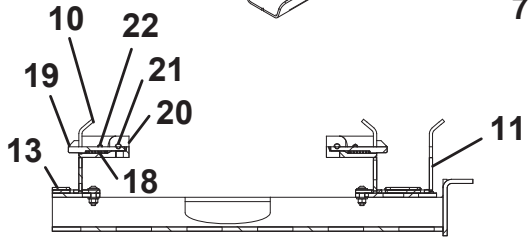
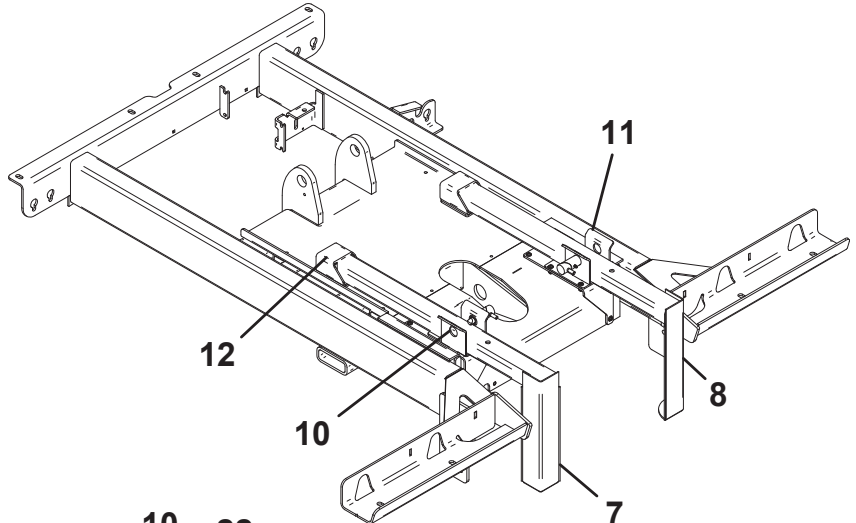
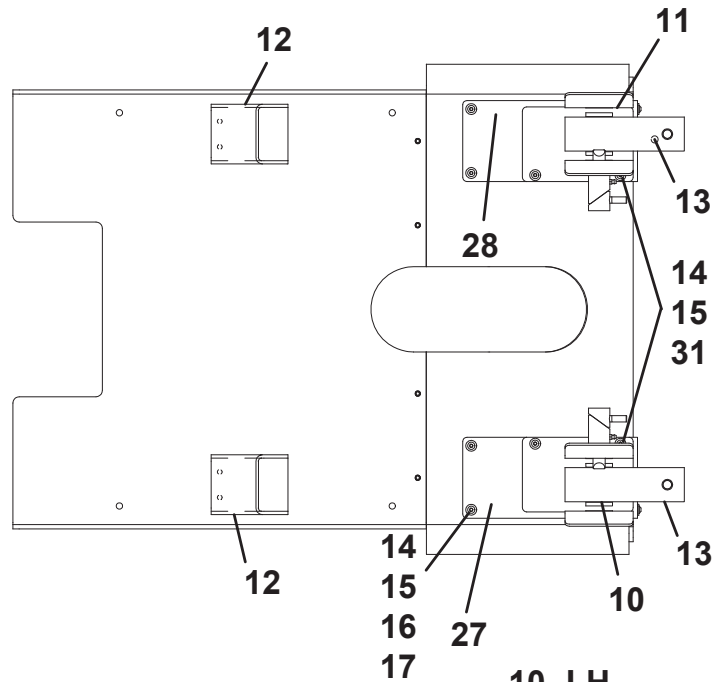
# UNDERLIFT BOOM ASSEMBLY MANUAL GRID



**GRID SYSTEM MANUAL**

ITEM	PART NO.	DESCRIPTION	QTY	REV
	3484000083	Grid System Manual	Ref	B
1	3170000390	Boom Weld Underlift Crosstube	1	
2	4691000103	Pin	1	
3	4949000047	Washer	2	
4	7754000024	Retaining Ring	1	
5	3484000030	Grid Weldment, RH	1	
6	3484000031	Grid Weldment, LH	1	
7	3020000037	Arm Weldment, LH	1	
8	3020000038	Arm Weldment, RH	1	
9	3551000036	T-Handle	2	
10	1001129410	Bracket, LH	1	
11	1001129411	Bracket, RH	1	
12	4911000454	Tube	2	
13	4090000013	Belt	2	
14	7114140818	Capscrew, 0.25"-20NC X 1.00"	6	
15	7114141018	Capscrew, 0.25"-20NC X 1.25"	4	
16	7950140143	Flatwasher, 0.25" ID	18	
17	7114141218	Capscrew, 0.25"-20NC X 1.50"	4	
18	7843000006	Spring	2	
19	4691000186	Pin	2	
20	4254000005	Cap	2	
21	4763000184	Rod	2	
22	7440030000	Grease Fitting	2	
23	7330000036	Decal - Secure Vehicle Warning	2	
24	7330000599	Decal - Pinch Point	1	
25	7330000553	Decal - L-Arm Storage	2	
26	7894000034	Ratchet Strap	2	
27	4178000826	Bracket, LH	1	
28	4178000827	Bracket, RH	1	
29	4706006094	Plate	2	
30	7114141018	Capscrew, 0.25"-20NC X 1.25"	4	
31	7660142601	Locknut, 0.25" -20NC	14	
32	7443000048	Fitting Plug	2	
33	1001129414	Plate	4	
34	88671008	Grease Fitting	1	
35	7253000002	Grease Cap	1	
36	3020029	Bearing Grease	A/R	
37	3020039	Moly Paste	A/R	
38	7330000609	Decal - Grease Required	1	

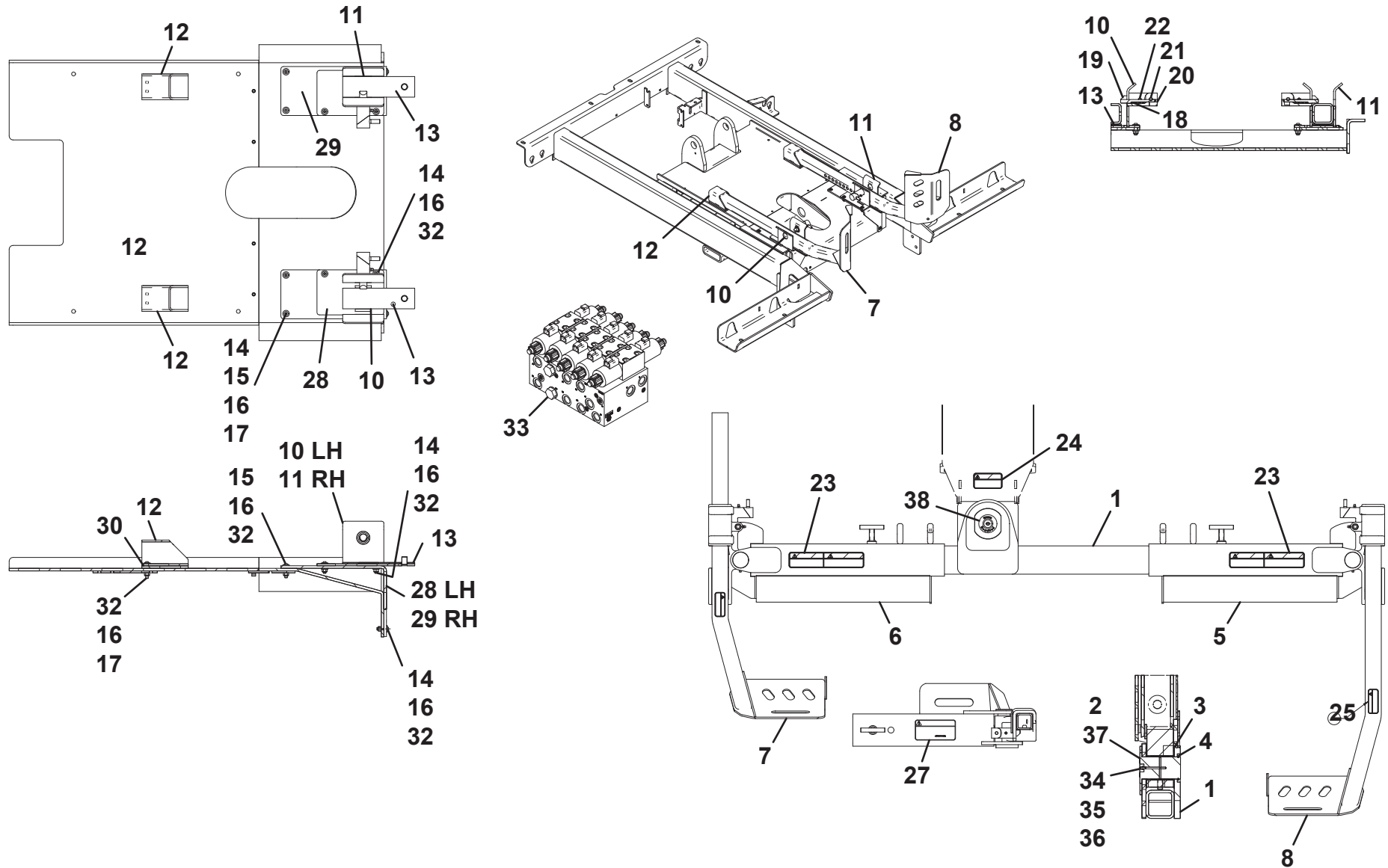
# GRID SYSTEM MANUAL



**GRID SYSTEM PIVOTING**

ITEM	PART NO.	DESCRIPTION	QTY	REV
	3484000082	Grid System Pivoting	Ref	B
1	3170000390	Boom Weld Underlift Crosstube	1	
2	4691000103	Pin	1	
3	4949000047	Washer	2	
4	7754000024	Retaining Ring	1	
5	3484000046	Grid Assembly, RH	1	
6	3484000047	Grid Assembly, LH	1	
7	3020000029	LH L-Arm	1	
8	3020000030	RH L-Arm	1	
9	7894000034	Strap	2	
10	1001129410	Bracket, LH	1	
11	1001129411	Bracket, RH	1	
12	4913000503	Tube	2	
13	4090000013	Belt	2	
14	7114140818	Capscrew, 0.25"-20NC X 1.00"	6	
15	7114141018	Capscrew, 0.25"-20NC X 1.25"	4	
16	7950140143	Flatwasher, 0.25" ID	18	
17	7114141218	Capscrew, 0.25"-20NC X 1.50"	4	
18	7843000006	Spring	2	
19	4691000186	Pin	2	
20	4254000005	Cap	2	
21	4763000184	Rod	2	
22	7440030000	Grease Fitting	2	
23	7330000683	Decal, Safety	2	
24	7330000599	Decal, Warning	1	
25	7330000553	Decal, L-Arm	2	
26	1001129414	Plate	4	
27	7330000384	Decal, T-37	2	
28	4178000826	Bracket, LH	1	
29	4178000827	Bracket, RH	1	
30	4706006093	Plate	2	
31	7114141018	Capscrew, 0.25"-20NC X 1.25"	4	
32	7660142601	Locknut, 0.25" -20NC	14	
33	7443000048	Fitting Plug	2	
34	88671008	Grease Fitting	1	
35	7253000002	Grease Cap	1	
36	3020029	Bearing Grease	A/R	
37	3020039	Molly Paste	A/R	
38	7330000609	Decal - Grease Required	1	

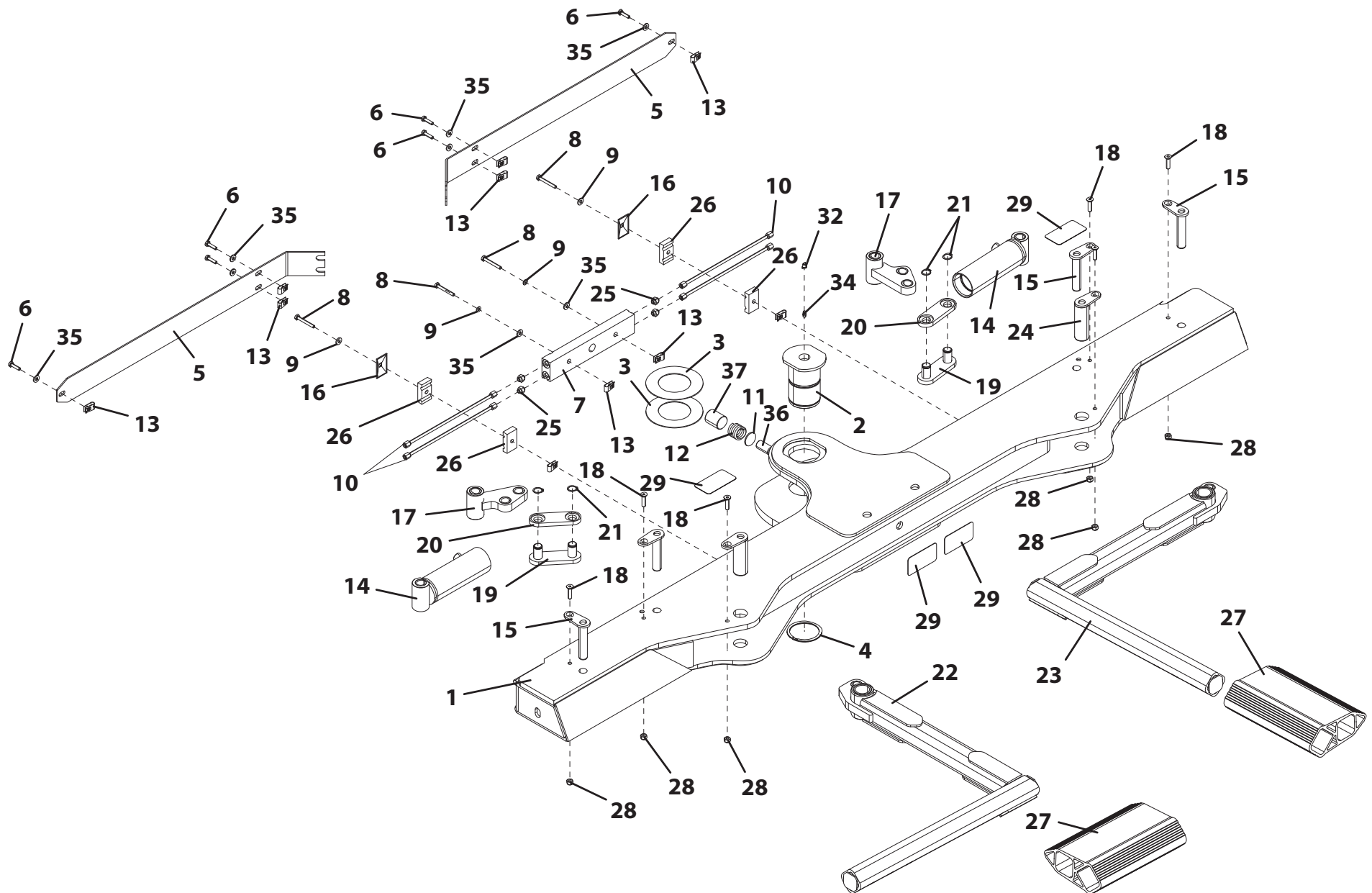
# GRID SYSTEM PIVOTING



**HYDRAULIC GRID ASSEMBLY**

ITEM	PART NO.	DESCRIPTION	QTY	ITEM	PART NO.	DESCRIPTION	QTY
1	1001185808	Grid Weldment	1	40	7082000026	Bearing	12
2	4691000198	Pin	1	41	0440234	Bearing	2
3	4949000047	Washer	2				
4	7754000024	Retaining Ring	1				
5	1001220280	Plate	2				
6	641406	Capscrew, 0.25" - 20NC X 0.75"	6				
7	4619000013	Manifold	1				
8	641416	Capscrew, 0.25" - 20NC X 2.00"	4				
9	4761400	Washer, 0.25" ID	2				
10	7912000184	Tube Assembly	4				
11	4831000095	Spacer	1				
12	7843000037	Spring	1				
13	7661000064	U-Nut	10				
14	7320000064	Cylinder	2				
15	3691000229	Pin	4				
16	7274000039	Cover	2				
17	3592000052	Link Weldment	2				
18	1001137904	Bolt, 0.31" - 18NC X 1.25"	6				
19	3592000051	Link Weldment	2				
20	4706003497	Plate	2				
21	3760351	Retaining Ring	4				
22	3020000124	L-Arm LH	1				
23	3020000125	L-Arm RH	1				
24	3691000230	Pin	2				
25	2220415	Adapter	4				
26	7274000086	Clamp	4				
27	8411080091	L-Arm Spacer	2				
28	3271505	Nut, 0.31" - 18NC	6				
29	7330000599	Decal, Pinch Point	4				
30	7330000036	Decal, Warning	1				
31	7577000367	Kit Strap	1				
32	7253000002	Grease Fitting	1				
33	7330000609	Decal, Grease Required	1				
34	88671008	Grease Fitting	1				
35	4711400	Washer, 0.25" ID	10				
36	7786000009	Setscrew 0.75"-16NF X 1.50"	1				
37	4064000052	Bar	1				
38	3020039	Molypaste	A/R				
39	3020029	Lubricant	A/R				

# HYDRAULIC GRID ASSEMBLY

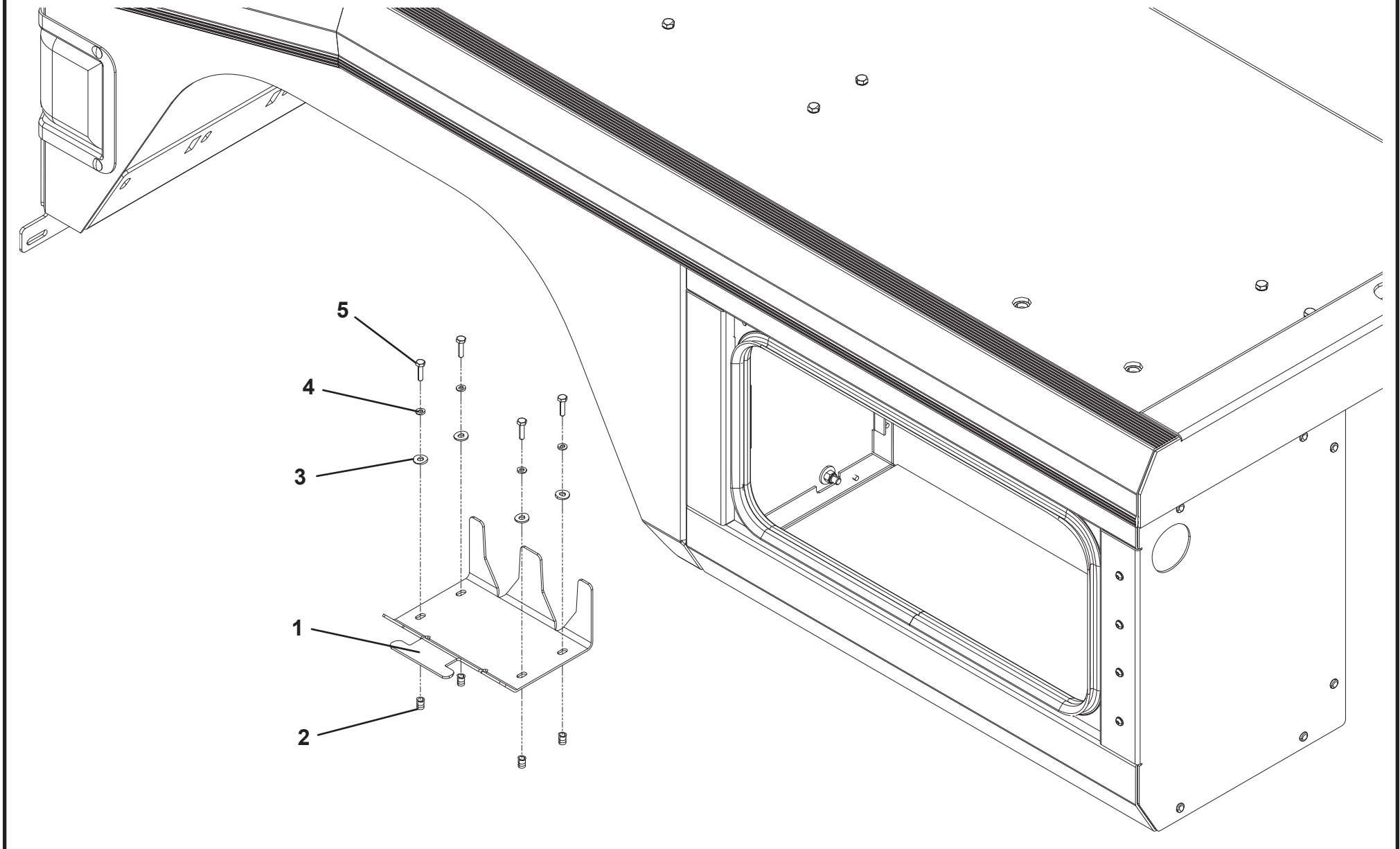


**L-ARM STORAGE INSTALLATION**

ITEM	PART NO.	DESCRIPTION	QTY
1	4178000721	Bracket	1
2	7413000002	Nutsert, 0.25" - 20NC	4
3	7950140161	Flatwasher, 0.25" ID	4
4	7950140000	Lockwasher, 0.25" ID	4
5	7115140650	Capscrew, 0.25" - 20NC x 0.75"	4



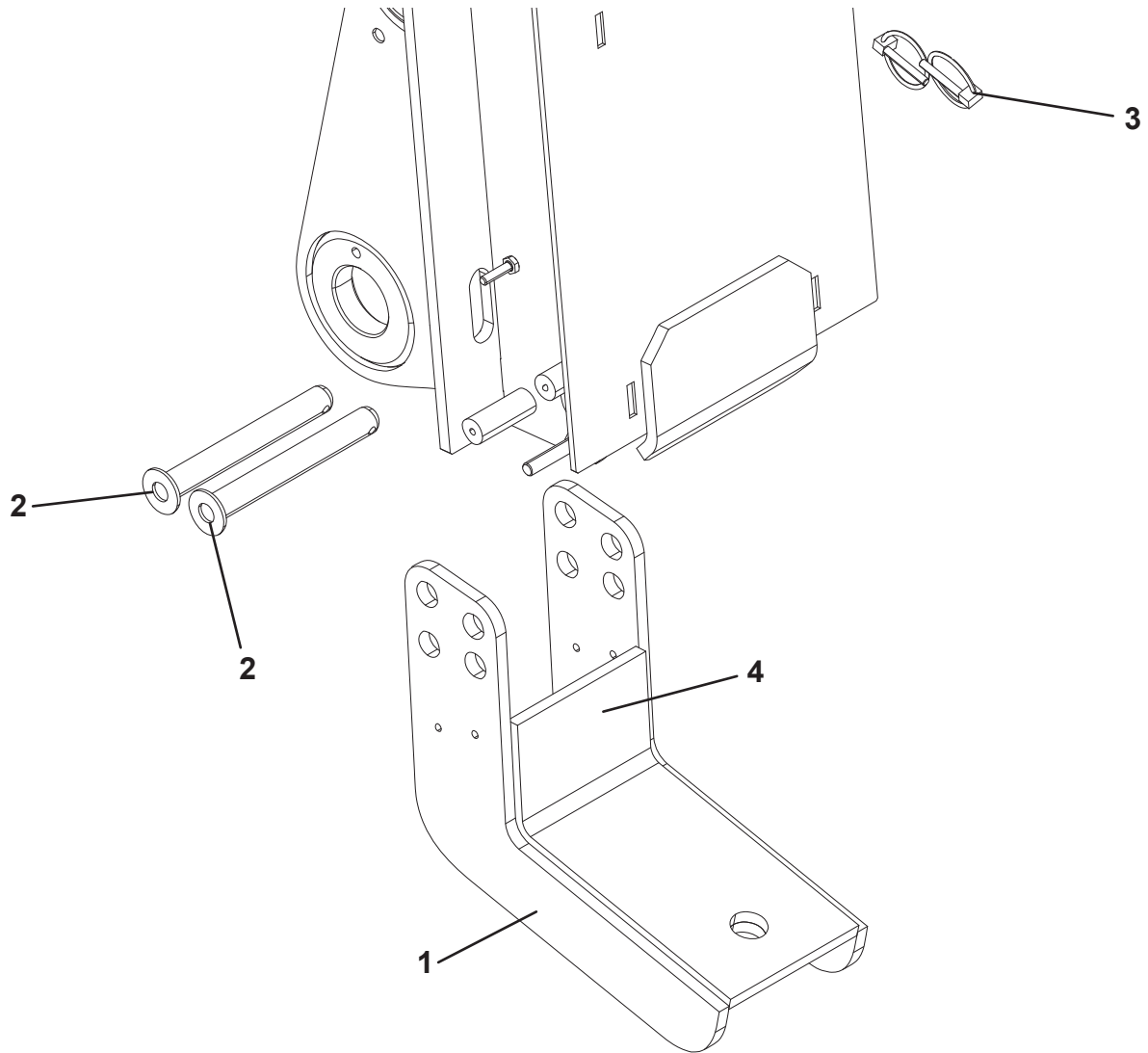
# L-ARM STORAGE INSTALLATION



**BRACKET, TOW BALL**

ITEM	PART NO.	DESCRIPTION	QTY
1	3178000507	Bracket Weld Ball Hitch Mpl-Ng	1
2	3691000195	Pin Weld Tow Hitch	2
3	7691000027	Pin Lynch W/Chain - 1.563" Lg	2
4	7330000424	Decal Tow Hitch Caution Rev01	1

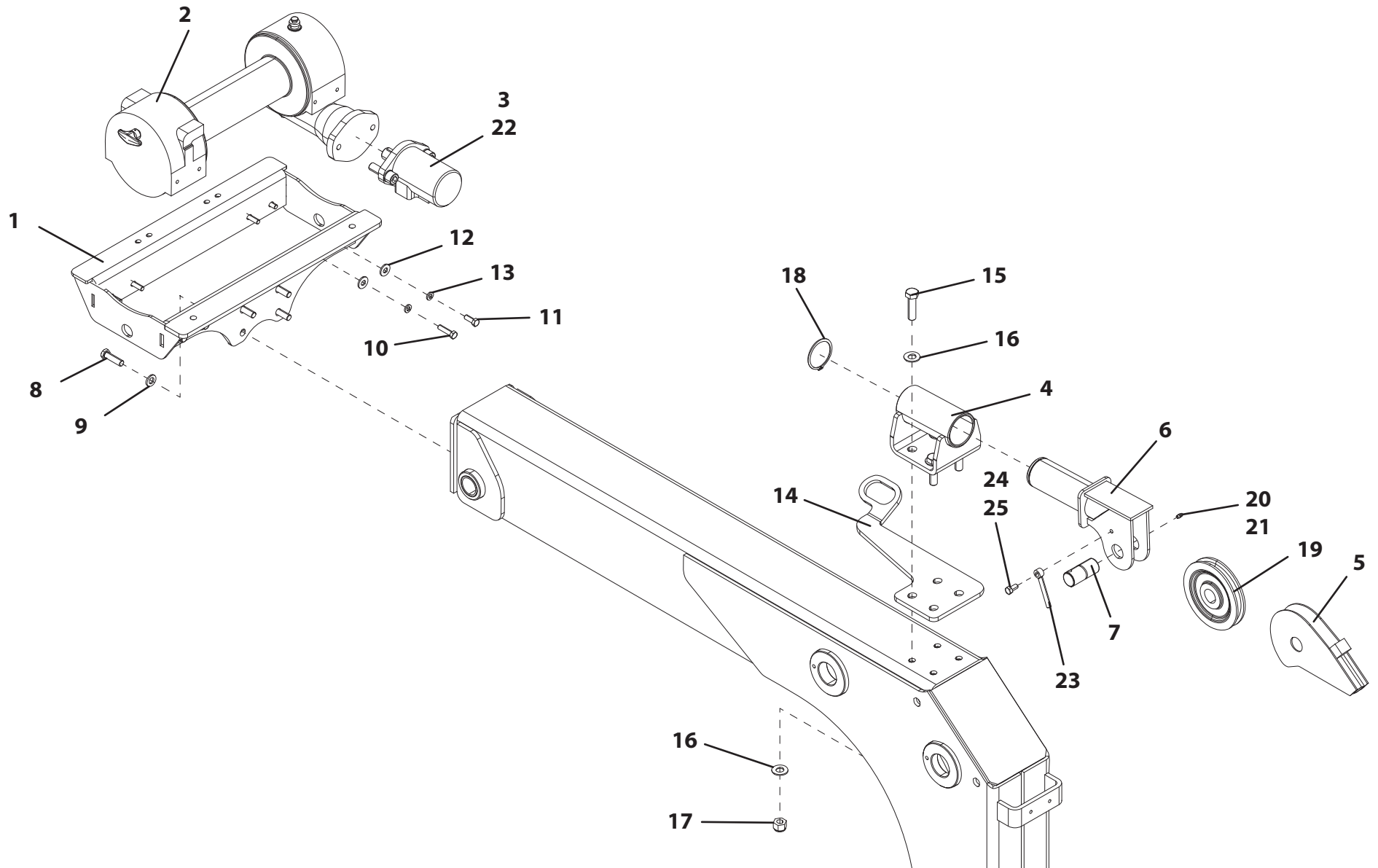
# BRACKET, TOW BALL



**WINCH INSTALLATION 8K RAMSEY**

ITEM	PART NO.	DESCRIPTION	QTY	REV
	1001208910	Winch Installation 8K Ramsey	Ref	A
1	3178000508	Bracket Weld Winch Mount Singl	1	
2	7970000150	Winch Assembly (See Separate Breakdown in this Section)	1	
3	7626000014	Orbit Motor	1	
4	1001206157	Support, Boom Nose Mpl Single	1	
5	1001206167	Support, Sd Wrecker Cable Guide	1	
6	1001206161	Support, Sd Wrecker Sheave	1	
7	1001206171	Pin, Sd Wrecker Sheave	1	
8	0641814	Capscrew, 0.50"-13NC X 1.75"	4	
9	4891800	Washer, 0.50" ID	4	
10	0641612	Capscrew, 0.37"-16NC X 1.50"	6	
11	0641608	Capscrew, 0.37"-16NC X 1.00"	2	
12	4891600	Washer, 0.38" ID	8	
13	4761600	Washer, 0.38" ID	8	
14	1001206185	Plate	1	
15	0642018	Capscrew, 0.62"-11NC X 2.25"	4	
16	4712000	Washer, 0.63" ID	8	
17	7660202601	Locknut, 0.63"-11NC	4	
18	7754000005	External Retaining Ring	1	
19	7809000001	Sheave Wire Rope	1	
20	88671008	Fitting	2	
21	7253000002	Grease Fitting	2	
22	7950180400	Lockwasher, 0.50" ID	2	
23	3841143	Rod	1	
24	4711600	Washer, 0.38" ID	1	
25	0651606	Capscrew, 0.37"-24NC X 0.75"	1	
26	3020039	Loctite	A/R	
27	3020029	Grease	A/R	
28	1001095650	Loctite 243	A/R	

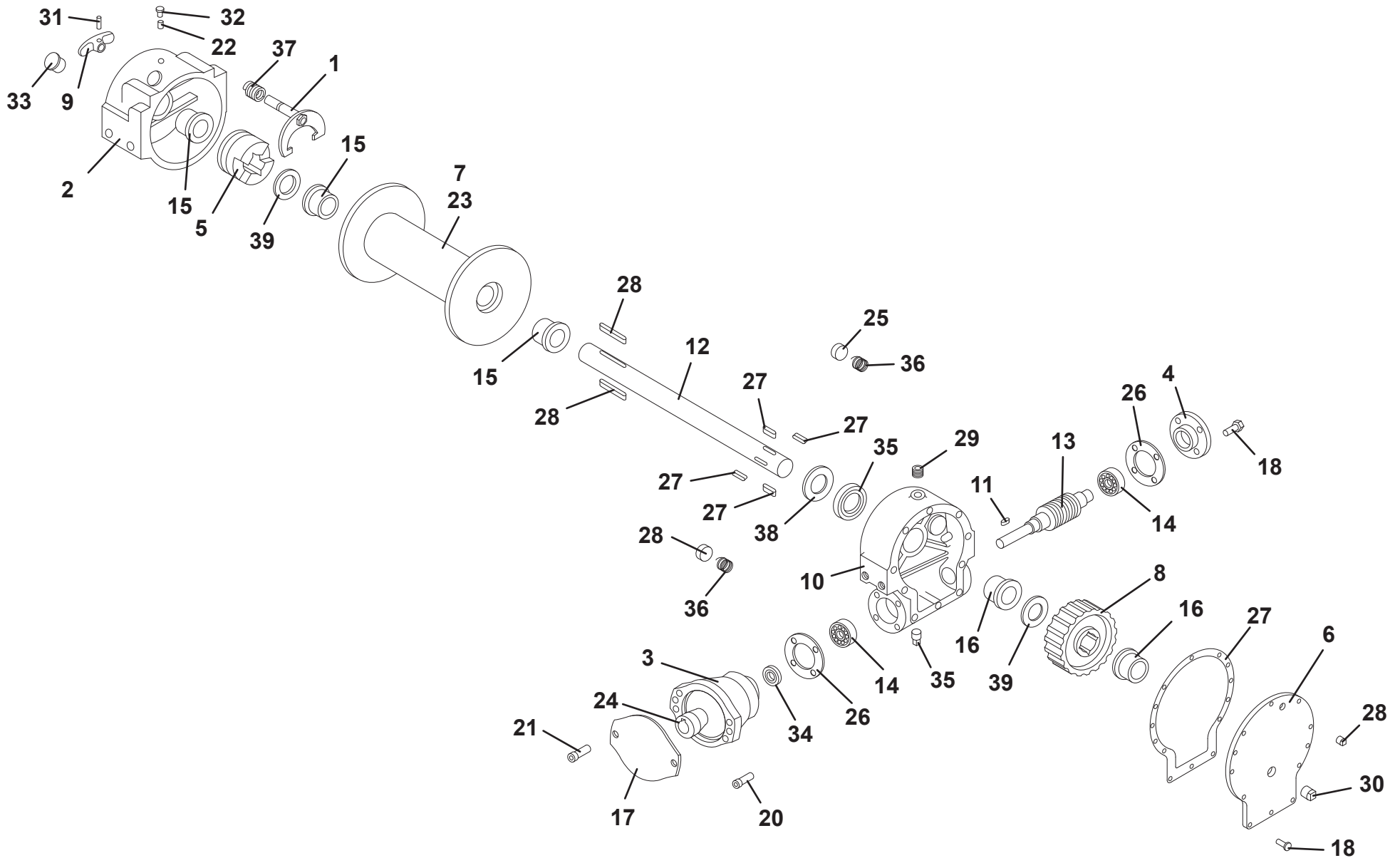
# WINCH INSTALLATION 8K RAMSEY



**WINCH ASSEMBLY 8K RH**

ITEM	PART NO.	DESCRIPTION	QTY	ITEM	PART NO.	DESCRIPTION	QTY
1	70051554	Shifter Assembly	1	40	9970518014	Thrust Washer	1
2	9560960022	Housing	1	41	9970518015	Thrust Washer	1
3	9970300057	Adapter	1				
4	9970316083	Bearing Cap	1				
5	9970960060	Clutch Jaw	1				
6	9314960024	Cover	1				
7	9970960068	Drum	1				
8	9472960072	Gear	1				
9	9970336010	Handle	1				
10	9560990011	Housing	1				
11	9970342027	Key	1				
12	9806960009	Shaft	1				
13	9970960062	Worm	1				
14	9970402002	Bearing	2				
15	9970412003	Bushing	4				
16	9970412045	Bushing	4				
17	70050679	Adapter	1				
18	9970414045	Capscrew, 0.25" - 20NC x 0.875"	14				
19	9120960034	Capscrew, 0.38" - 16NC x 1.00"	2				
20	70050682	Capscrew, 0.25" - 20NC x 0.75"	4				
21	9120960061	Capscrew, 0.50" - 13NC x 1.50"	2				
22	70051555	Setscrew, 0.25" - 20NC x 0.38"	1				
23	9786960015	Setscrew, 0.38" - 16NC x 0.50"	1				
24	9970431008	Coupling	1				
25	9970438014	Disk Brake	2				
26	9970442184	Gasket	2				
27	9970442205	Gasket	1				
28	9970450006	Key	2				
29	9575960014	Key	4				
30	9970456008	Fitting	1				
31	9701960015	Plug	1				
32	9970468011	Plug	2				
33	9691960001	Pin	1				
34	9970472012	Rubber Plug	1				
35	9970472013	Plug	1				
36	9970486009	Oil Seal	1				
37	9970483017	Oil Seal	1				
38	9970494002	Spring	2				
39	9970494053	Spring	1				

# WINCH ASSEMBLY 8K RH

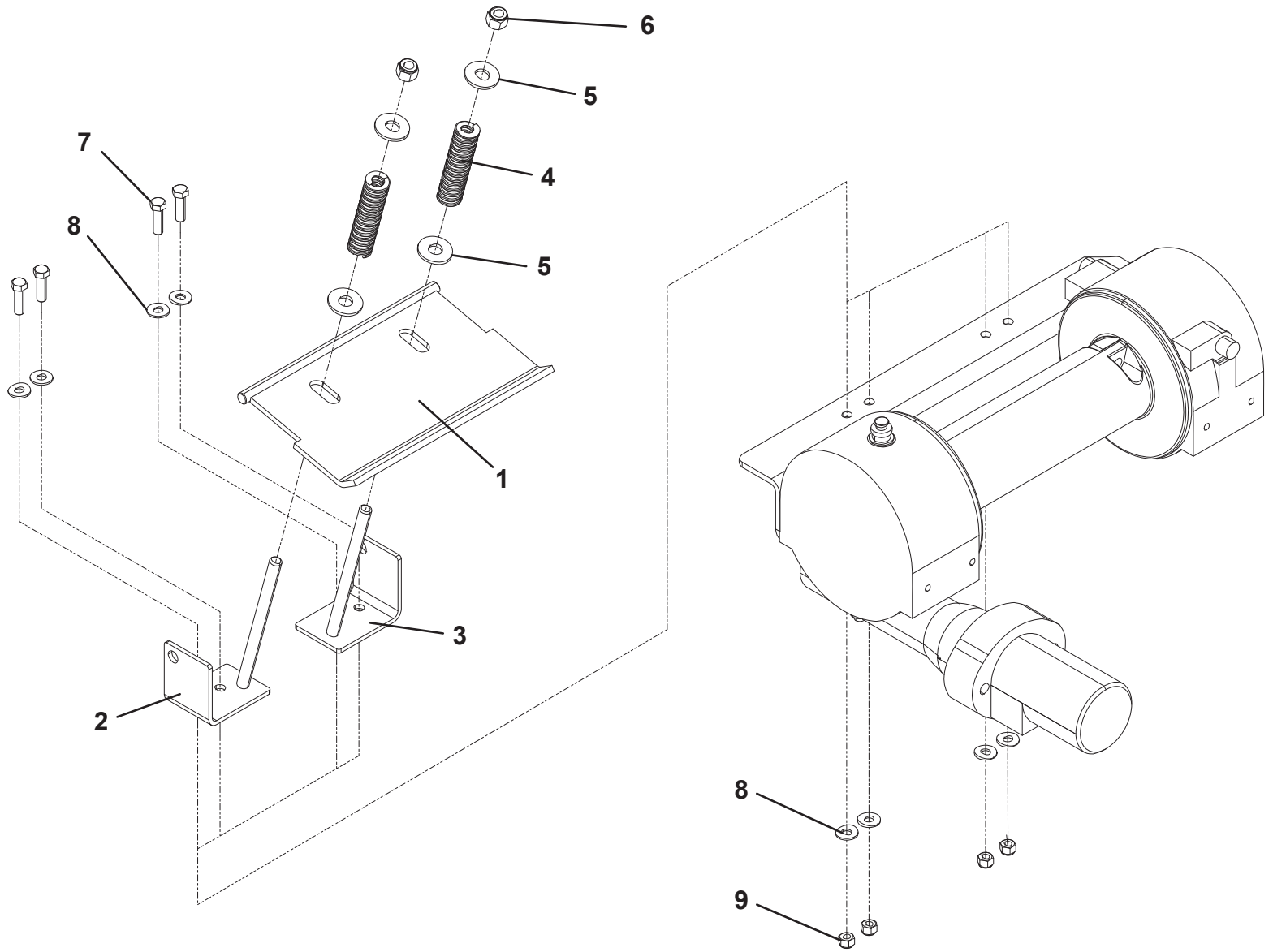


**CABLE TENSIONER INSTALLATION**

ITEM	PART NO.	DESCRIPTION	QTY
1	3706000099	Plate	1
2	3017000003	Angle, LH	1
3	3017000002	Angle, RH	1
4	7843000004	Spring	2
5	7950180161	Flatwasher, 0.50" ID	4
6	7660182601	Locknut, 0.50"-13NC	2
7	7115161050	Capscrew, 0.38"-16NC x 1.25"	4
8	7950150161	Flatwasher, 0.31" ID	8
9	7660162601	Locknut, 0.38"-16NC	4



# CABLE TENSIONER INSTALLATION



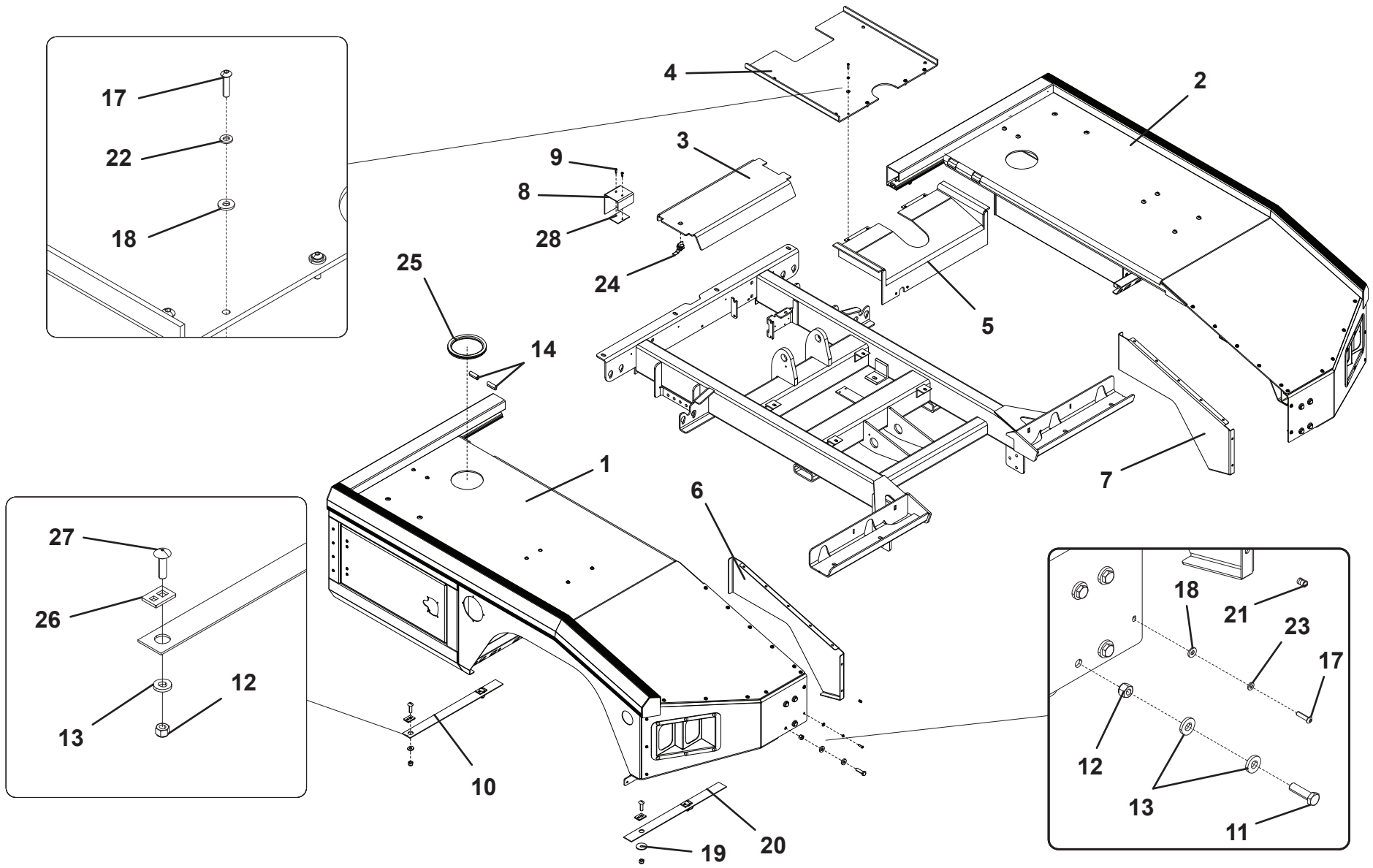
**THIS PAGE INTENTIONALLY LEFT BLANK**

**SECTION 3 - BODY**

**BODY INSTALLATION**

ITEM	PART NO.	DESCRIPTION	QTY	REV
	1001208045	Body Installation	Ref	B
1	1001224951	Deck Assembly - LH (See Separate Breakdown in this Section)	1	
2	1001224952	Deck Assembly - RH (See Separate Breakdown in this Section)	1	
3	4314000158	Plate	1	
4	4314000159	Plate	1	
5	3097000600	Deck Weld Mid Rear	1	
6	4811001160	Coverplate	1	
7	4811001161	Coverplate	1	
8	4314000175	Coverplate	1	
9	7120000046	Bolt, 0.25"-20NC X 0.75"	2	
10	4090000011	Belt	2	
11	0641814	Capscrew, 0.50"-13NC X 1.75"	8	
12	7660182601	Locknut, 0.50"-13NC	16	
13	4891800	Washer, 0.50" ID	16	
14	4632000058	Moulding	4	
15	7661000029	Nut, 0.31"-18NC	4	
16	7114150818	Capscrew, 0.31"-18NC X 1.00"	4	
17	7114140818	Capscrew, 0.25"-20NC X 1.00"	18	
18	7950140143	Flatwasher, 0.25" ID	18	
19	7949000015	Washer, Head	8	
20	4090000010	Belt	2	
21	7413000002	Nutsert, 0.25"-20NC	14	
22	7950140003	Lockwasher, 0.25" ID	18	
23	7796000012	Seal	A/R	
24	7585000023	Latch	1	
25	8632000002	Edge Trim	A/R	
26	4706005695	Plate	8	
27	7115181464	Bolt, 0.50"-13NC X 1.75"	8	
28	4706005751	Plate	1	

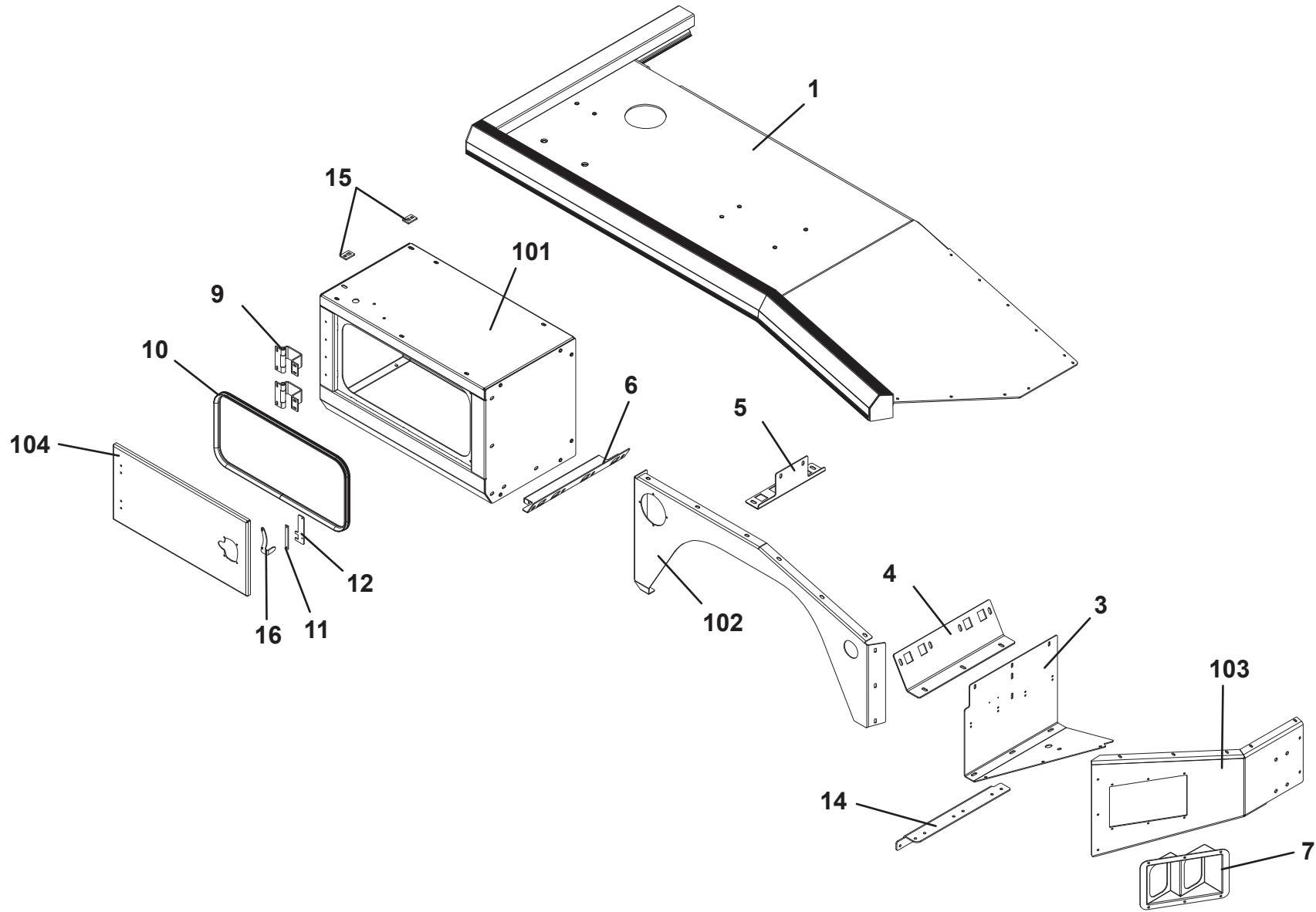
# BODY INSTALLATION

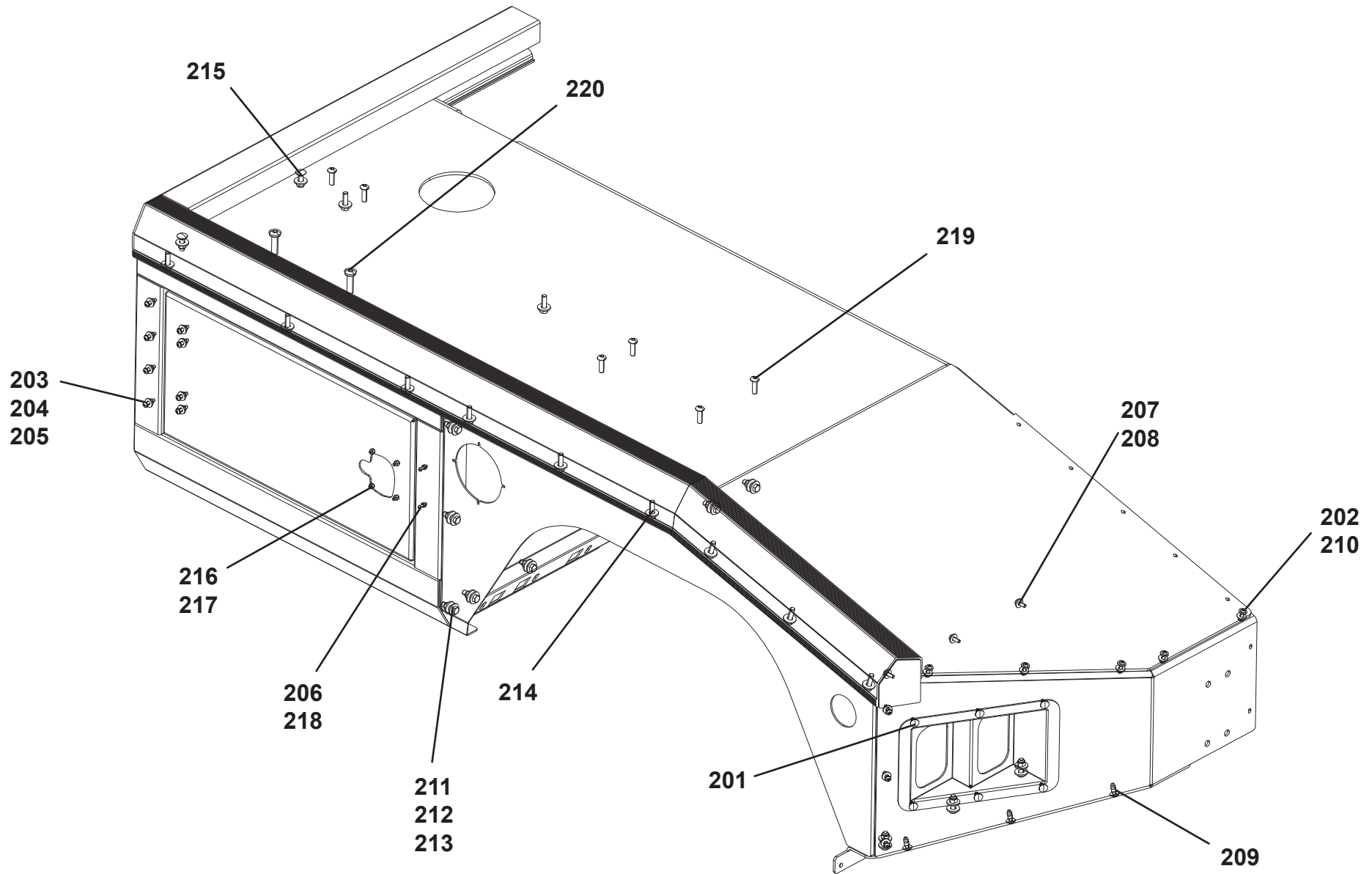


**DECK ASSEMBLY - LH**

ITEM	PART NO.	DESCRIPTION	QTY	REV	ITEM	PART NO.	DESCRIPTION	QTY	REV
	1001224951	Deck Assembly - LH	Ref	A	210	7950140143	Flatwasher, 0.25" ID	5	
1	1001136261	Deck Weld LH	1		211	0641610	Capscrew, 0.37"-16NC X 1.25"	21	
2	1001225784	Kit, Body Panels LH (includes items 101 thru 104)	1		212	4751600	Washer, 0.38" ID	33	
3	4314000091	Coverplate	1		213	3300492	Nut, 0.38"-16NC	12	
4	4178000744	Bracket	1		214	4761600	Washer, 0.38" ID	11	
5	4178000577	Bracket	1		215	7115161064	Bolt, 0.38"-16NC X 1.25"	2	
6	4811000840	Sheet	1		216	7950100143	Flatwasher, 0.19" ID	4	
7	7571000002	Taillight	1		217	3300455	Nut, #10-24NC	4	
8	7796000012	Seal	A/R		218	7660082604	Locknut, 0.80"-32NC	2	
9	7555000012	Hinge Door	2		219	7114161018	Capscrew, 0.38"-16NC	6	
10	4632000050	Seal	1		220	7114181418	Capscrew, 0.50"-13NC X 1.75"	2	
11	4062000569	Bar	1						
12	1001224954	Plate	1						
13	4811000823	Sheet	1						
14	4178000746	Bracket	1						
15	4706005695	Plate	2						
16	1001224955	Plate	1						
17	1001224968	Bolt, Kit Alum Body Assy (includes items 201 thru 220)	1						
18	1001223814	Latch	1						
19	1001130992	Plate	1						
20	1001130993	Plate	1						
21	4679000252	Pad	1						
22	3020039	Loctite	A/R						
23	8798820001	Sealant	A/R						
101	3899000119	Toolbox Bondment LH	1						
102	1001190936	Panel, LH	1						
103	1001190939	Panel, Weld LH	1						
104	1001224953	Door	1						
201	7413000013	Fastener	6						
202	7114140818	Capscrew, 0.25"-20NC X 1.00"	19						
203	7949000056	Washer, 0.27" ID	11						
204	4751400	Washer, 0.25" ID	22						
205	7660142601	Locknut, 0.25"-20NC	16						
206	7114080618	Screw, 0.80"-32NC X 0.75"	2						
207	0641406	Capscrew, 0.25"-20NC X 0.75"	3						
208	4761400	Washer, 0.25" ID	6						
209	7413000002	Nutsert, 0.25"-20NC	3						

# DECK ASSEMBLY - LH



**DECK ASSEMBLY - LH**

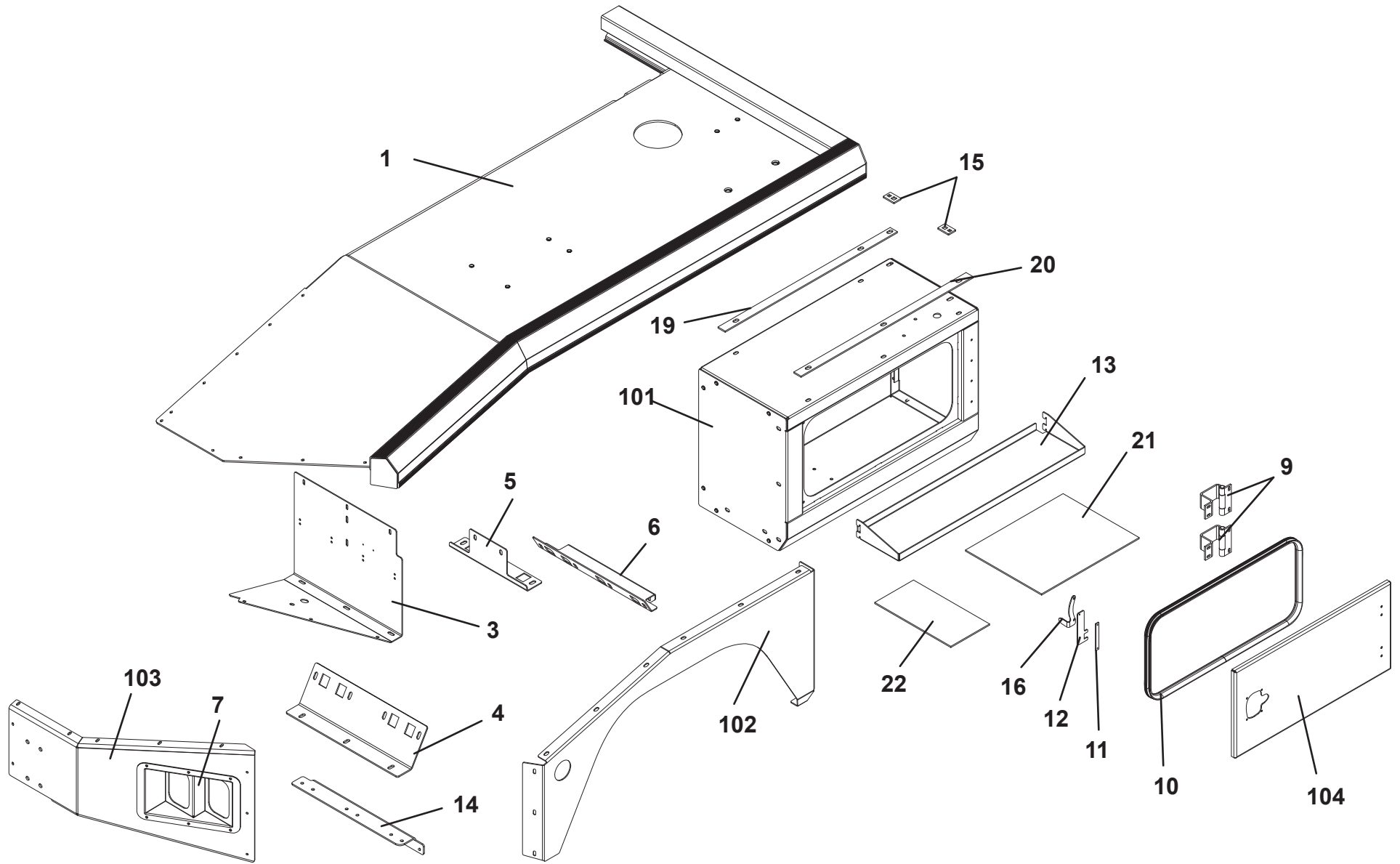


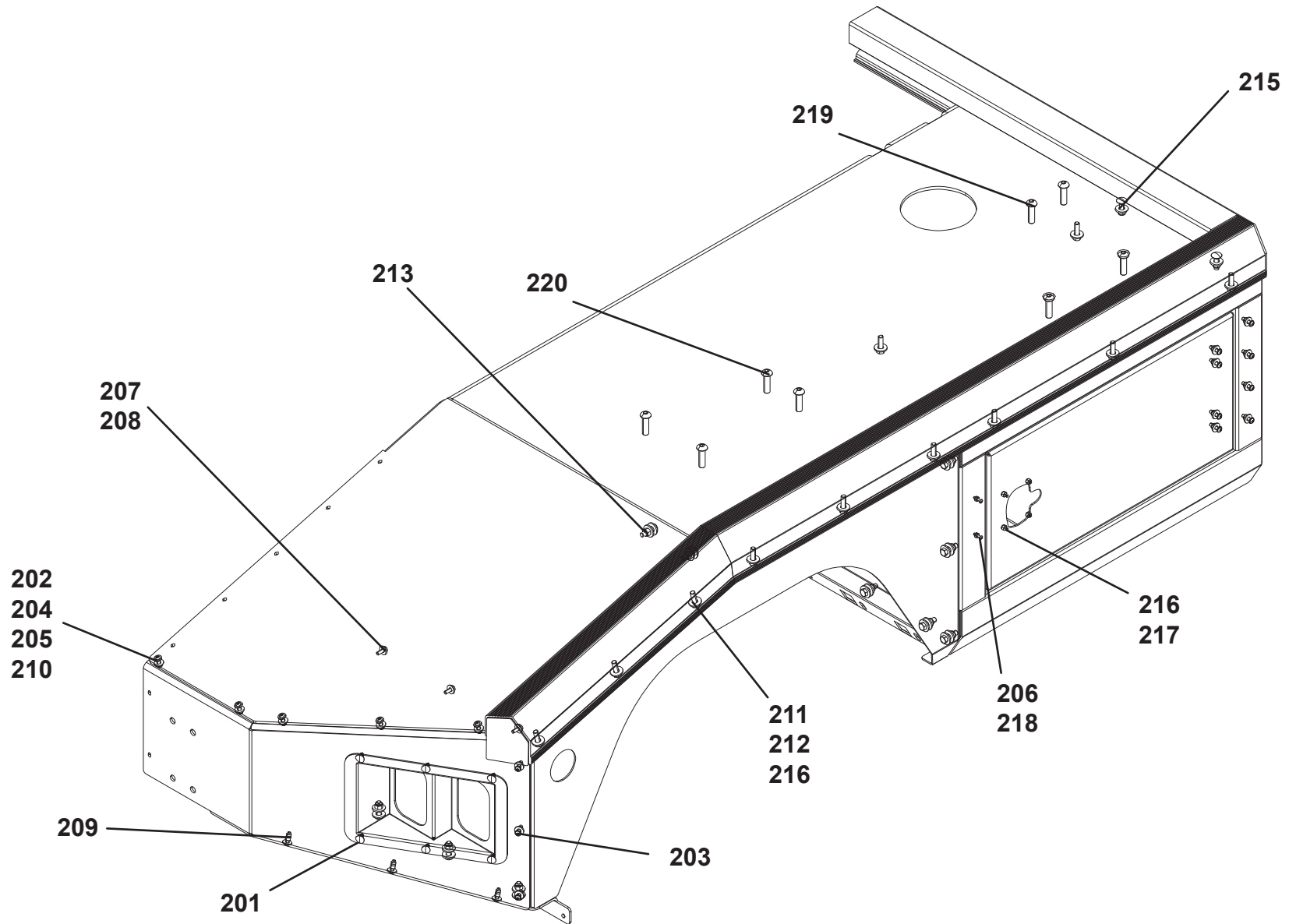
**DECK ASSEMBLY - LH**

**DECK ASSEMBLY - RH**

ITEM	PART NO.	DESCRIPTION	QTY	REV	ITEM	PART NO.	DESCRIPTION	QTY	REV
	1001224952	Deck Assembly - RH	Ref	A	209	7413000002	Nutsert, 0.25"-20NC	3	
1	1001136262	Deck Weld RH	1		210	7950140143	Flatwasher, 0.25" ID	5	
2	1001225785	Kit, Body Panels RH (includes items 101 thru 104)	1		211	0641610	Capscrew, 0.37"-16NC X 1.25"	21	
3	4314000092	Coverplate	1		212	4751600	Washer, 0.38" ID	33	
4	4178000744	Bracket	1		213	3300492	Nut, 0.38"-16NC	12	
5	4178000577	Bracket	1		214	4761600	Washer, 0.38" ID	11	
6	4811000840	Sheet	1		215	7115161064	Bolt, 0.38"-16NC X 1.25"	2	
7	7571000002	Taillight	1		216	7950100143	Flatwasher, 0.19" ID	4	
8	7796000012	Seal	A/R		217	3300455	Nut, #10-24NC	4	
9	7555000012	Hinge Door	2		218	7660082604	Locknut, 0.80"-32NC	2	
10	4632000050	Seal	1		219	7114161018	Capscrew, 0.38"-16NC	6	
11	4062000569	Bar	1		220	7114181418	Capscrew, 0.50"-13NC X 1.75"	2	
12	1001224954	Plate	1						
13	4811000823	Sheet	1						
14	4178000745	Bracket	1						
15	4706005695	Plate	2						
16	1001224956	Plate	1						
17	1001224968	Bolt, Kit Alum Body Assy (includes items 201 thru 220)	1						
18	1001223814	Latch	1						
19	1001130992	Plate	1						
20	1001130993	Plate	1						
21	4679000295	Pad	1						
22	4679000294	Pad	1						
23	3020039	Loctite	A/R						
24	8798820001	Sealant	A/R						
101	3899000120	Toolbox Bondment RH	1						
102	1001190937	Panel, RH	1						
103	1001190941	Panel, Weld RH	1						
104	1001224953	Door	1						
201	7413000013	Fastener	6						
202	7114140818	Capscrew, 0.25"-20NC X 1.00"	19						
203	7949000056	Washer, 0.27" ID	11						
204	4751400	Washer, 0.25" ID	22						
205	7660142601	Locknut, 0.25"-20NC	16						
206	7114080618	Screw, 0.80"-32NC X 0.75"	2						
207	0641406	Capscrew, 0.25"-20NC X 0.75"	3						
208	4761400	Washer, 0.25" ID	6						

# DECK ASSEMBLY - RH



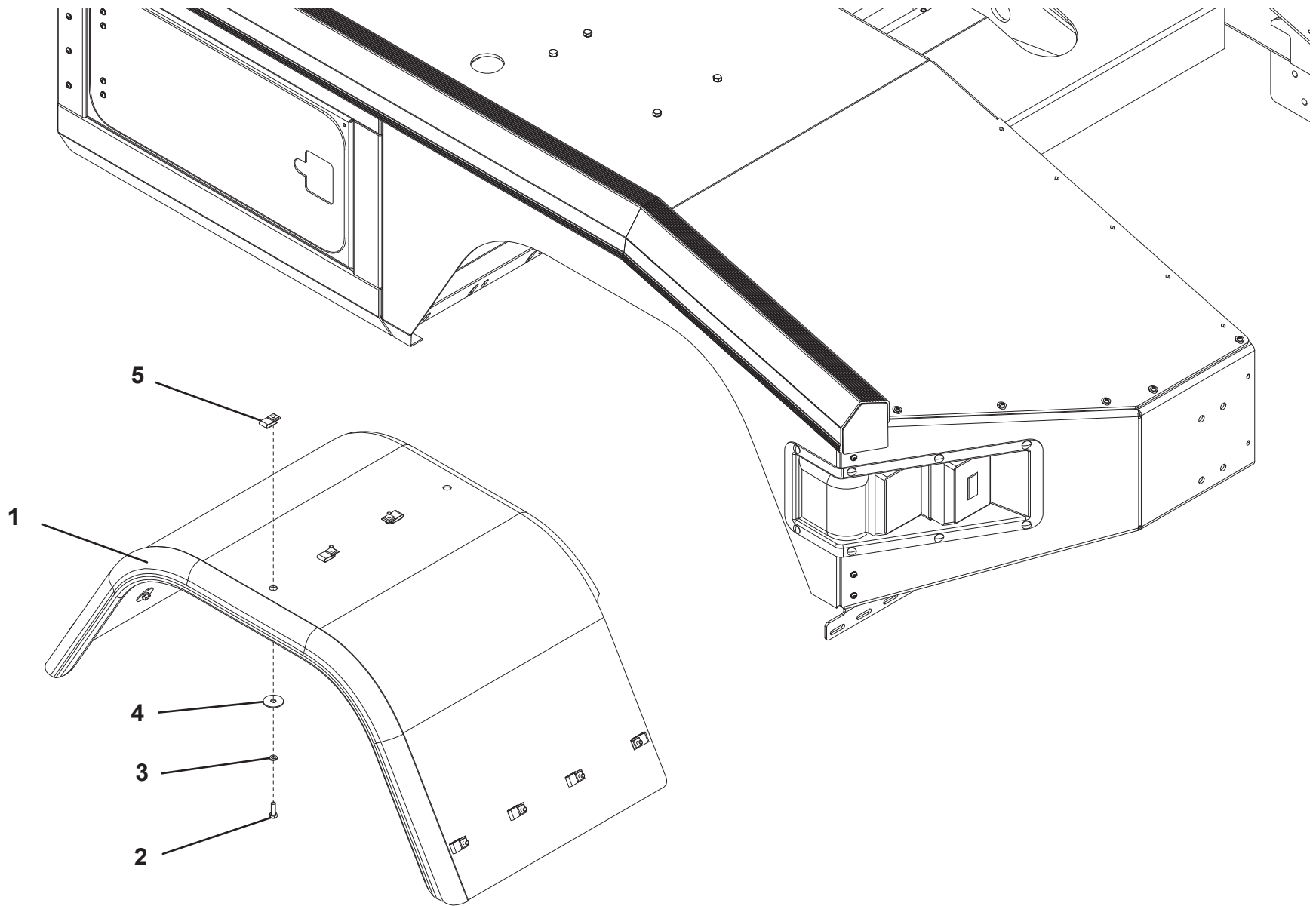
**DECK ASSEMBLY - RH**

**DECK ASSEMBLY - RH**

**FENDER FLARE ALUM BODY 1.62”**

ITEM	PART NO.	DESCRIPTION	QTY
1	7415000038	Fender Flare 1.62” Plastic W/In	2
2	7114150850	Capscrew 0.31"-18nc X 1.00" Hex	22
3	7950150000	Washer 0.31" Nom Reg Lock - Pla	22
4	7949000055	Washer Fender 1.50" OD X 0.38" I	22
5	7661000029	Nut J Type #C31280-5618-4	22

# FENDER FLARE ALUM BODY 1.62"

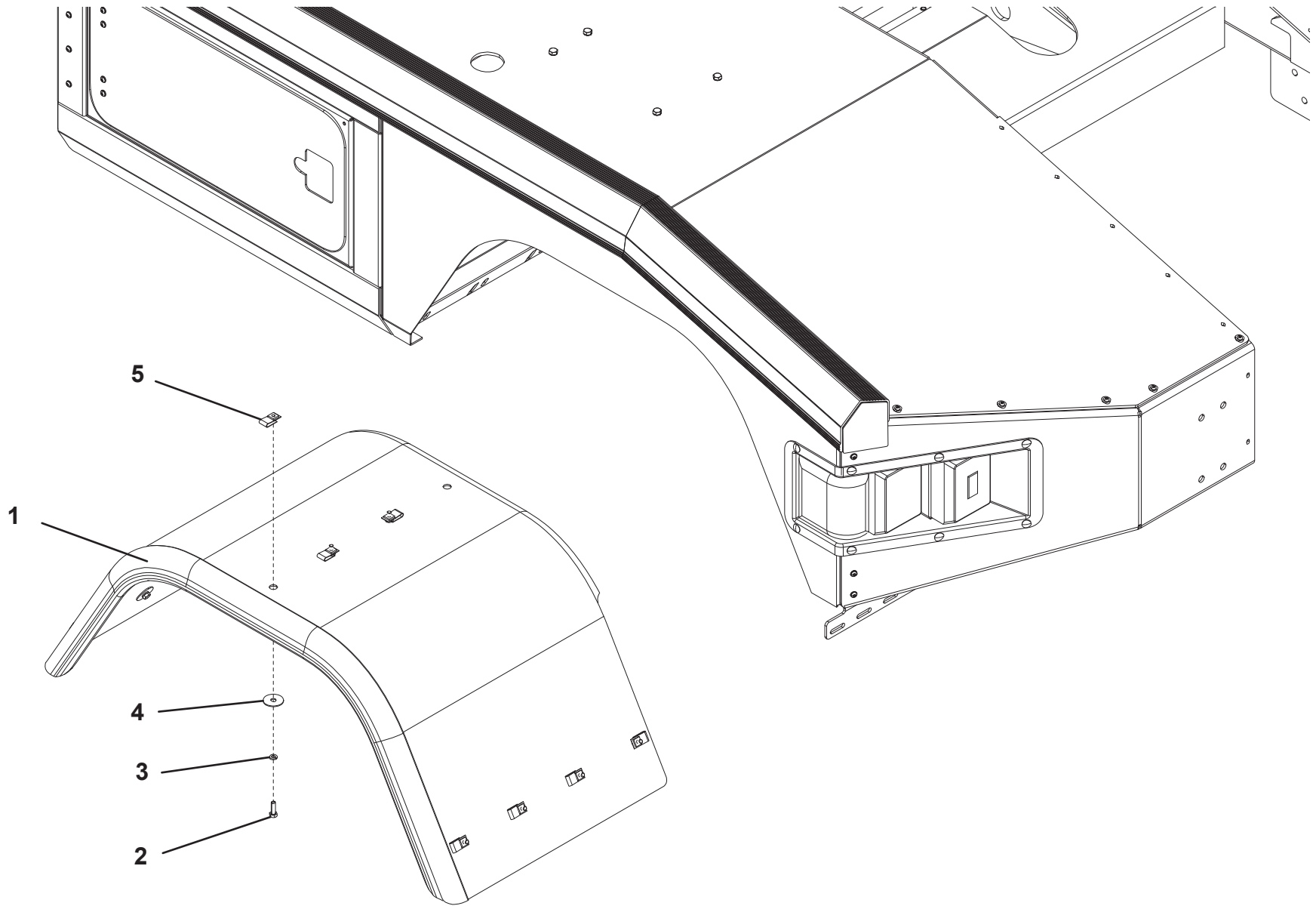


**FENDER FLARE ALUM BODY 3.50"**

ITEM	PART NO.	DESCRIPTION	QTY
1	7415000039	Fender Flare 3.50" Plastic W/ I	2
2	7114150850	Capscrew 0.31"-18nc X 1.00" Hex	22
3	7950150000	Washer 0.31" Nom Reg Lock - Pla	22
4	7949000055	Washer Fender 1.50" OD X 0.38" I	22
5	7661000029	Nut J Type #C31280-5618-4	22



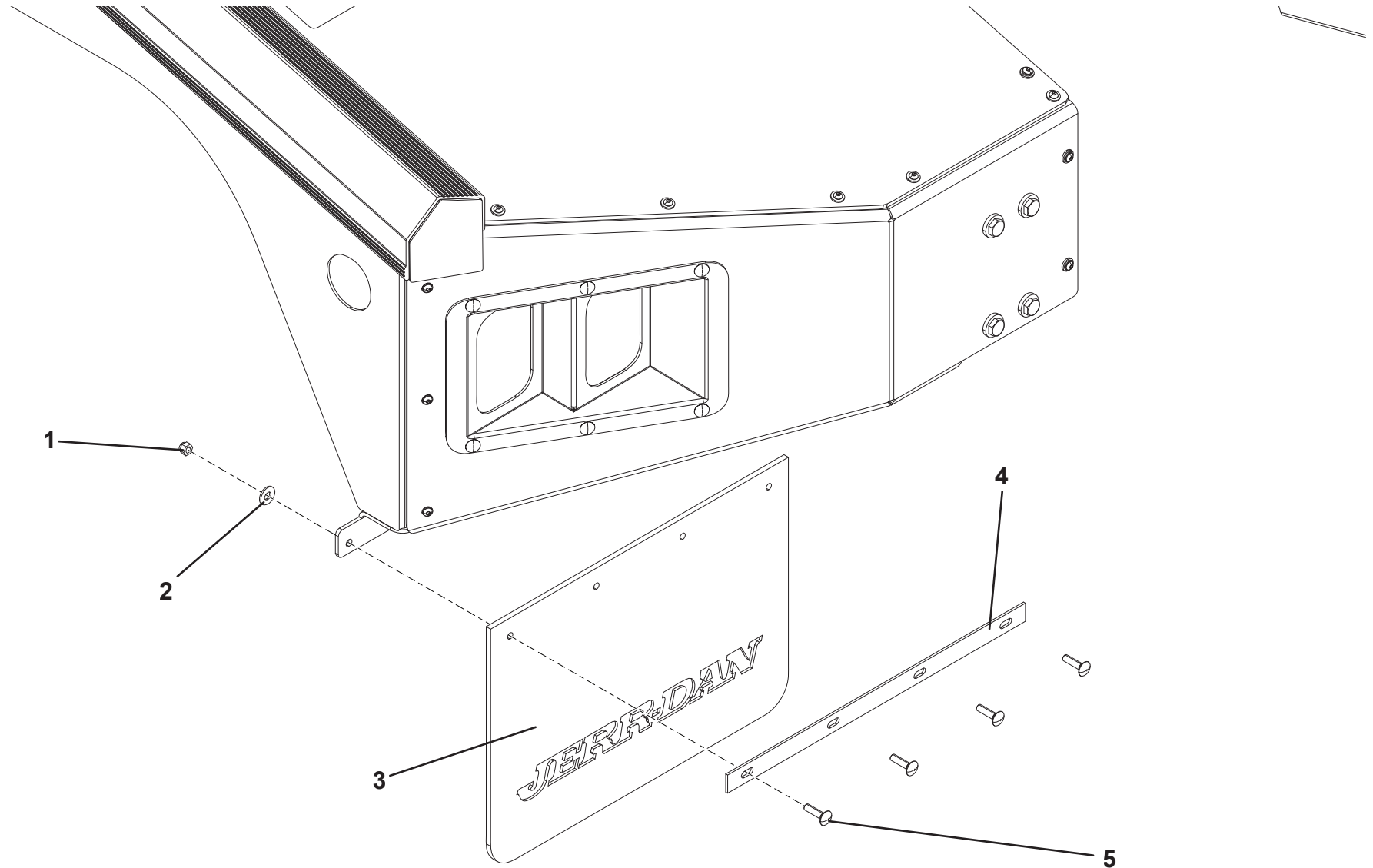
# FENDER FLARE ALUM BODY 3.50"



**MUD FLAPS**

ITEM	PART NO.	DESCRIPTION	QTY
1	7638000003	Flap Mud W/Jerr-Dan Logo - 19"	2
2	4706001123	Plate 0.13" X 1.00" X 19.00"	2
8	7115151064	Bolt 0.31"-18NC X 1.25" Carriage	8
9	7660152601	Locknut 0.031"-18NC Gr5 Hex Nyloc	8
10	7950150161	Flatwasher 0.31" Nom Wide - Pla	8

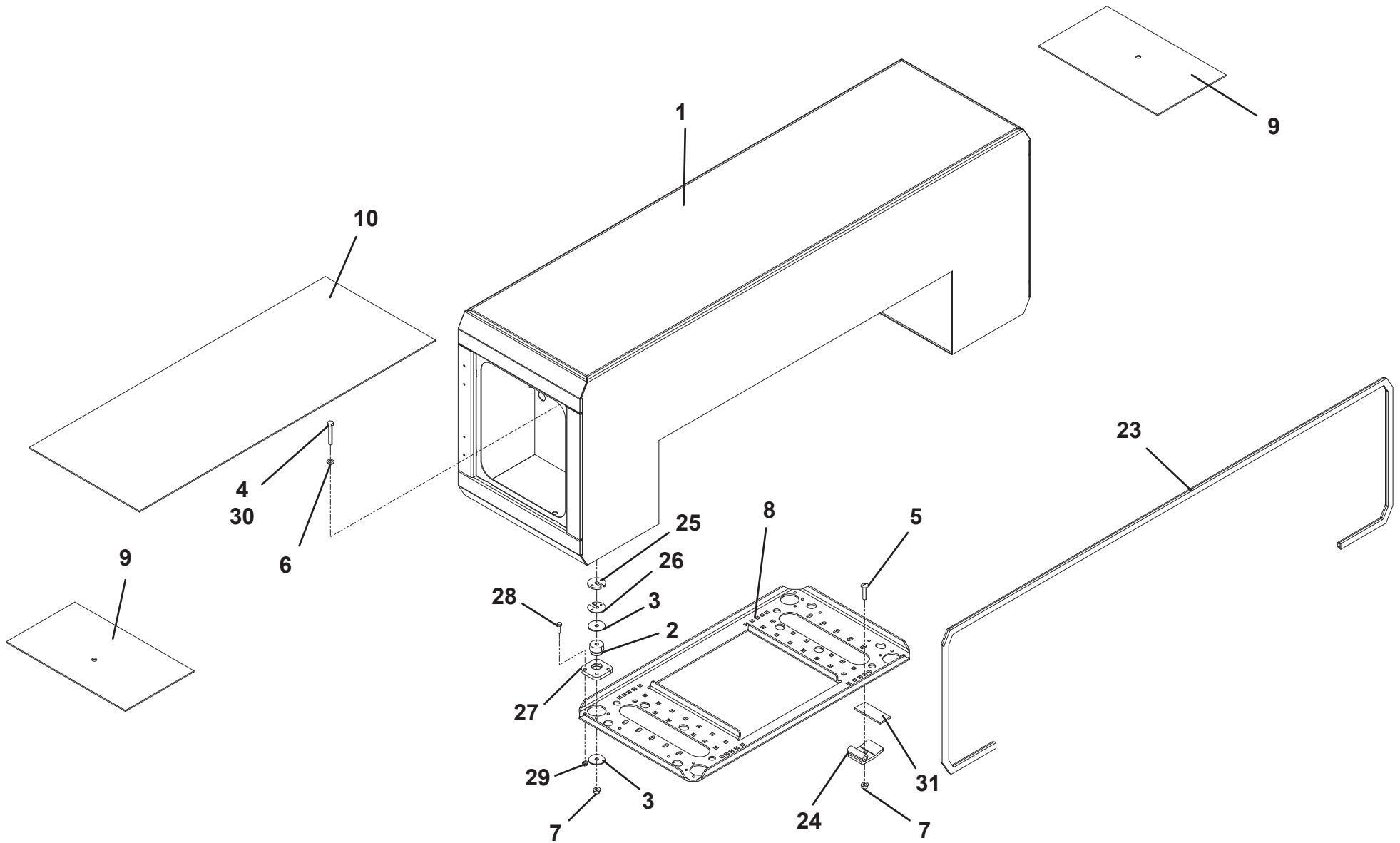
# MUD FLAPS



**TUNNEL TOOLBOX INSTALLATION**

ITEM	PART NO.	DESCRIPTION	QTY
1	1001225081	24" Tunnel Toolbox	1
2	7636000005	Mount	4
3	7949000013	Washer	8
4	0641824	Capscrew, 0.50"-13 X 3.00"	4
5	7115181864	Bolt, 0.50" -13NC x 2.25"	4
6	7950180153	Flatwasher, 0.50"	4
7	7660182301	Locknut, 0.50"-13NC	8
8	4636000041	Plate	1
9	4679000333	Pad	2
10	4679000334	Pad	1
23	7796000078	Gasket	12.5ft
24	1001220359	Clamp	4
25	4812000108	Shim	4
26	4812000107	Shim	4
27	4706005869	Plate	4
28	0641610	Capscrew, 0.38"-16NC X 1.25"	12
29	7660162301	Locknut, 0.38"-16NC	12
30	0641826	Capscrew, 0.50"-13 X 3.25"	4
31	3340898	Pad	1

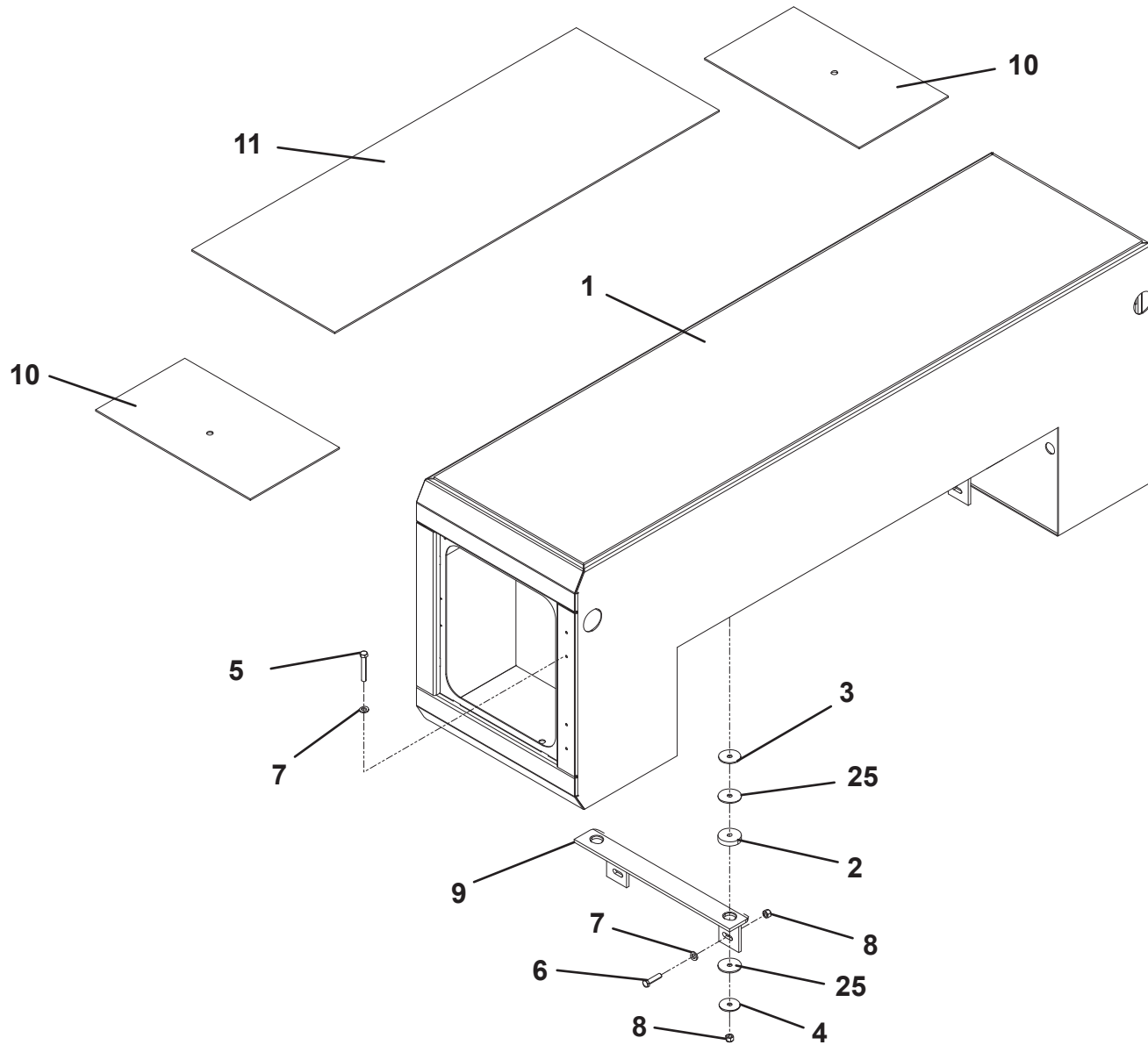
# TUNNEL TOOLBOX INSTALLATION



**TUNNEL TOOLBOX INSTALLATION**

ITEM	PART NO.	DESCRIPTION	QTY
1	1001225084	Box, Assy Tunnel MPL Arrow Brd	1
2	1001135107	Support, Adapter Tunnel Mount	4
3	7949000013	Washer 2.38" Dia. Rubber Head	4
4	7949000012	Washer 2.25" Dia. Rubber Tail	4
5	0641826	Scr Cap Hh 5, 0.50"-13" X 3.250"	4
6	0641816	Scr Cap Hh 5, 0.50"-13" X 2.00"	4
7	4891800	Wsh Hard 0.50" 0.526" 1.125" 0.187"	8
8	7660182601	Locknut 0.50"-13NC Gr5 Hex Nylo	8
9	4017000674	Angle 0.38" X 8.32" X 23.38"	2
10	4679000333	Pad 0.19" X 13.40" X 23.25" Rubbe	2
11	4679000334	Pad 0.19" X 21.50" X 57.83" Rubbe	1
24	7796000078	Gasket 0.9375" X 0.8125" High 50ft	12
25	1001135108	Pad, 0.13" X 0.50" X 2.50" Polyester	8

# TUNNEL TOOLBOX INSTALLATION

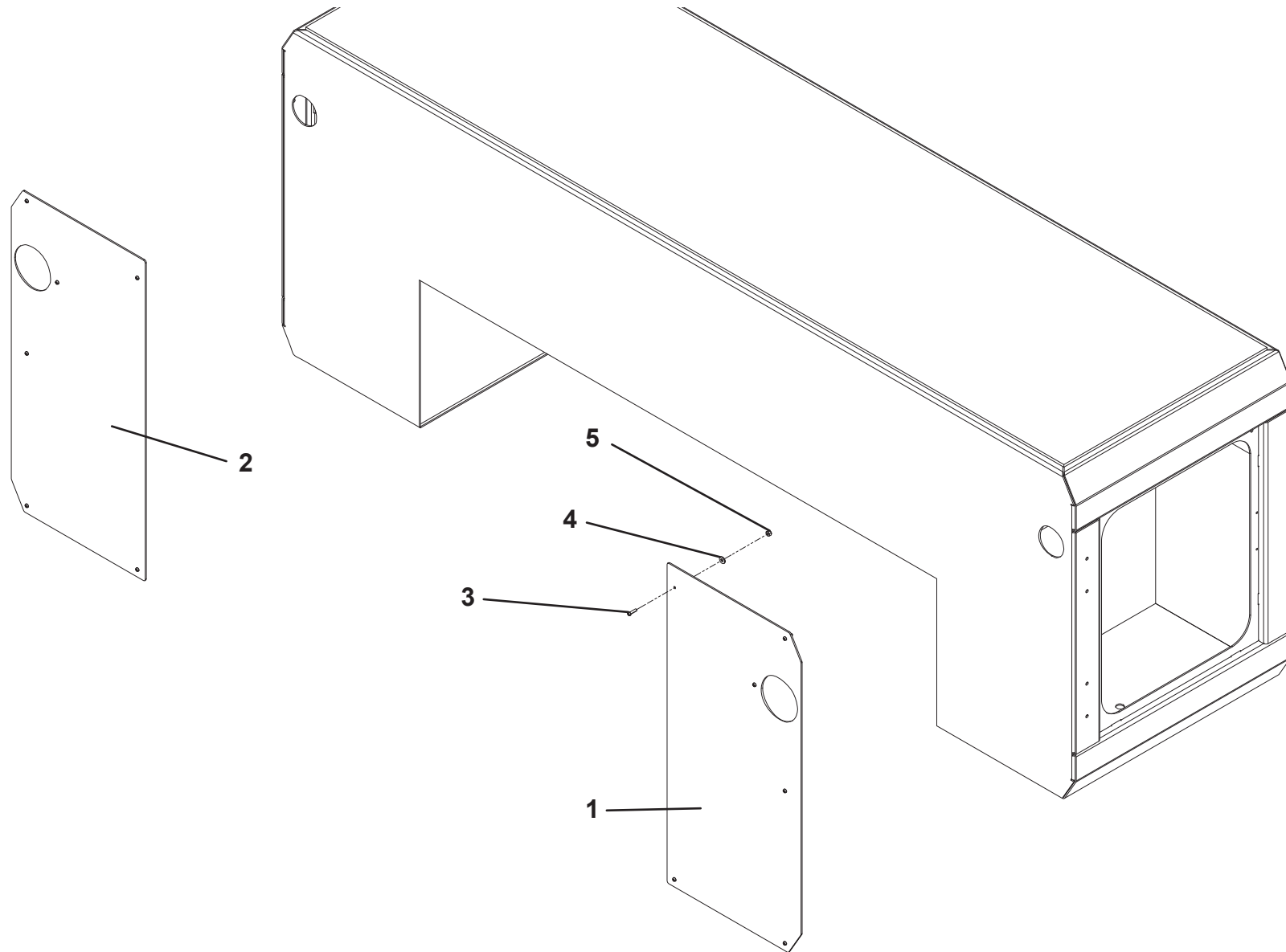


**STONE GUARD KIT ALUMINUM TUNNEL TOOLBOX**

ITEM	PART NO.	DESCRIPTION	QTY
1	1001130417	Panel, LH	1
2	1001130418	Panel, RH	1
3	7114100618	Capscrew, #10-24NC x 0.75"	12
4	7950100103	Flatwasher, #10 ID	12
5	7660102604	Locknut, #10-24NC	12



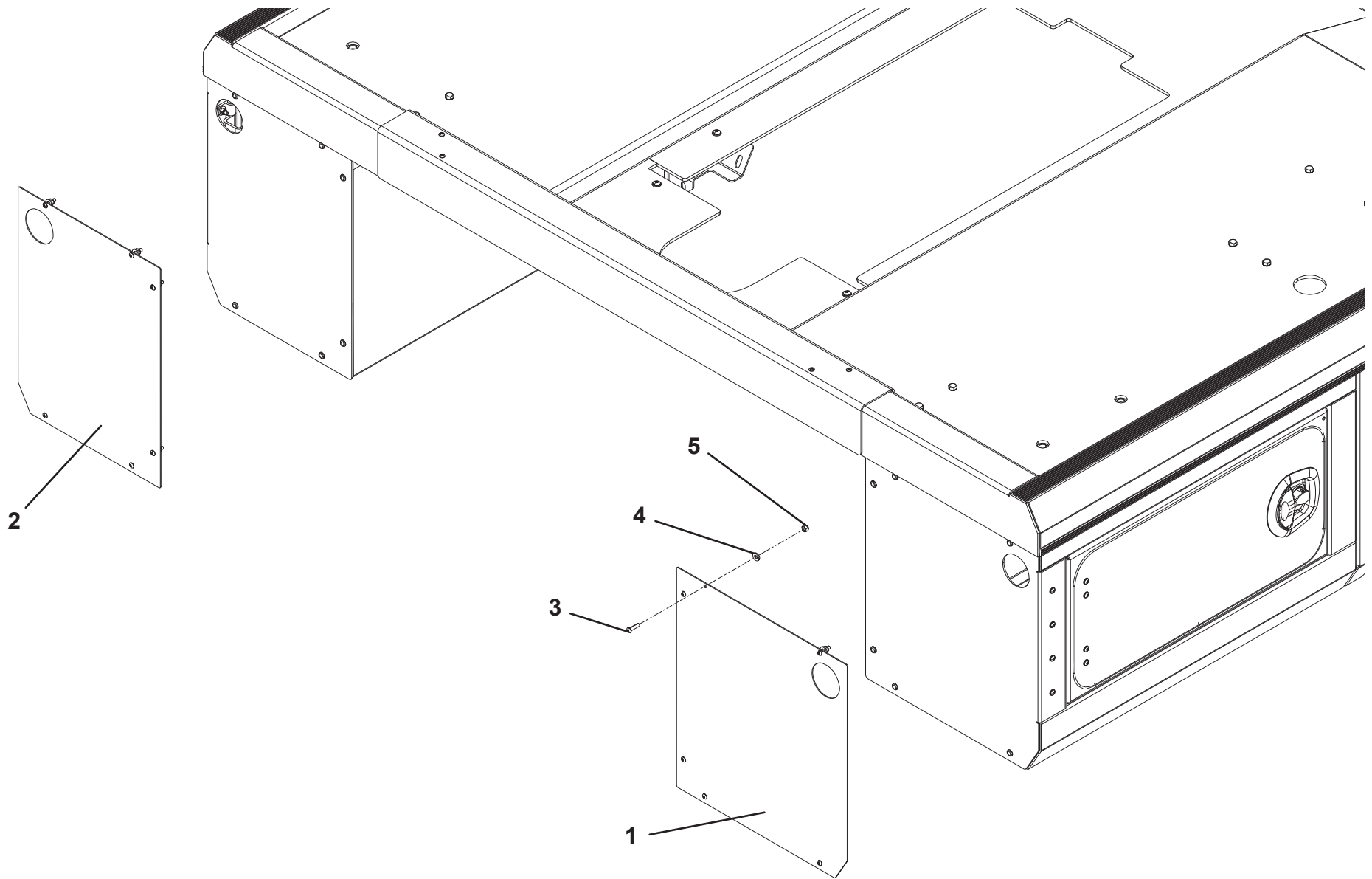
# STONE GUARD KIT ALUMINUM TUNNEL TOOLBOX



**STONE GUARD KIT ALUMINUM BODY**

ITEM	PART NO.	DESCRIPTION	QTY
1	4707000314	Plate, LH	1
2	4707000315	Plate, RH	1
3	7114140818	Capscrew, 0.25"-20NC x 1.00"	12
4	7950140141	Flatwasher, 0.25" ID	12
5	7660142600	Locknut, 0.25"-20NC	12

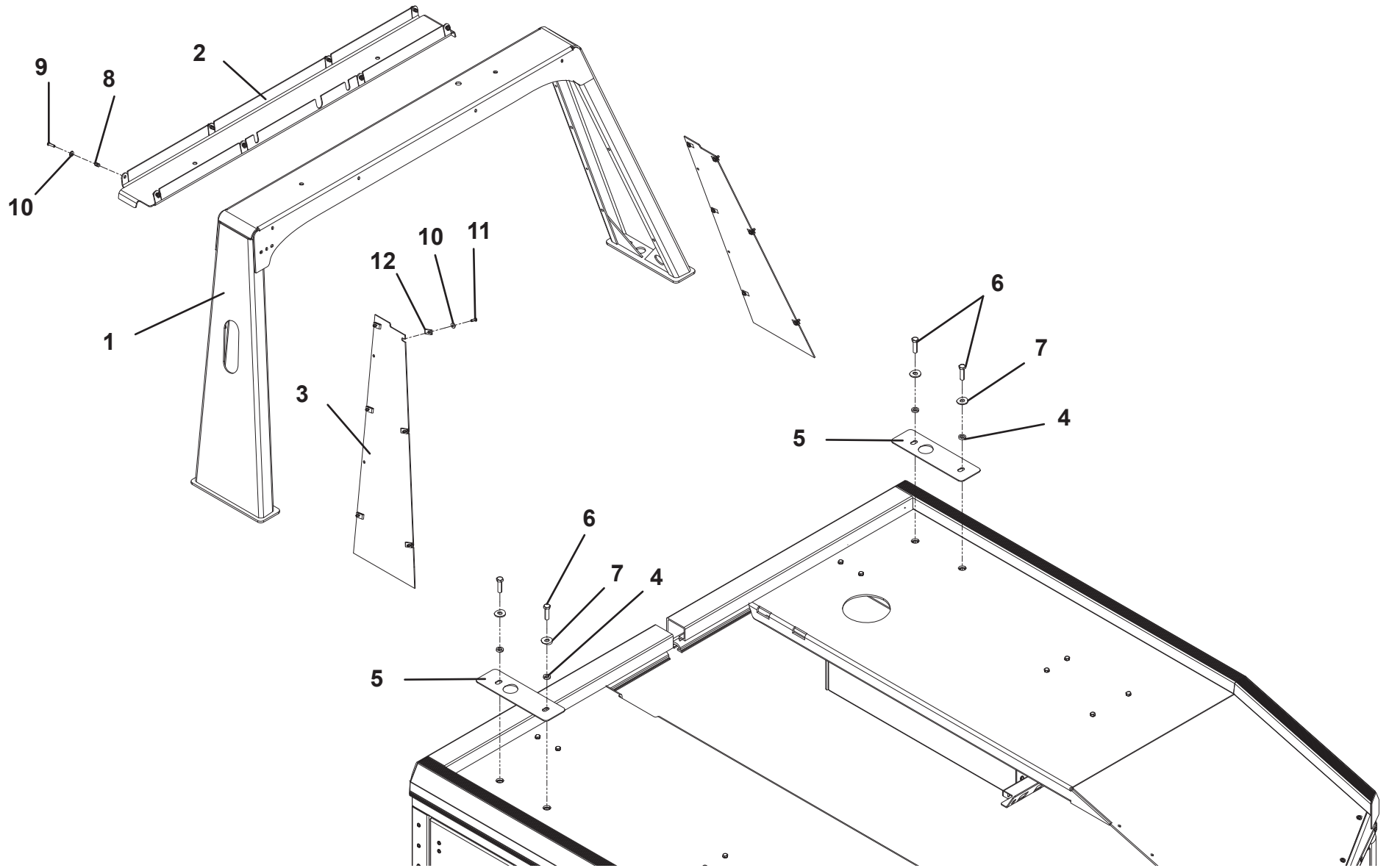
# STONE GUARD KIT ALUMINUM BODY



**LIGHT PYLON INSTALLATION 37"**

ITEM	PART NO.	DESCRIPTION	QTY
1	3509570103	Light Pylon	1
2	4263000689	Channel	1
3	4706005002	Plate	2
4	7949000058	Washer, 0.53" ID	4
5	7796000101	Gasket	2
6	7115181450	Capscrew, 0.50"-13NC x 1.75"	4
7	7950180161	Flatwasher, 0.50" ID	4
8	7413000002	Nutsert, 0.25"-20NC	8
9	7114140818	Capscrew, 0.25"-20NC x 1.00"	8
10	7950140143	Flatwasher, 0.25" ID	20
11	7114140618	Capscrew, 0.25"-20NC x 0.75"	12
12	7661000019	U-Nut, 0.25"-20NC	12

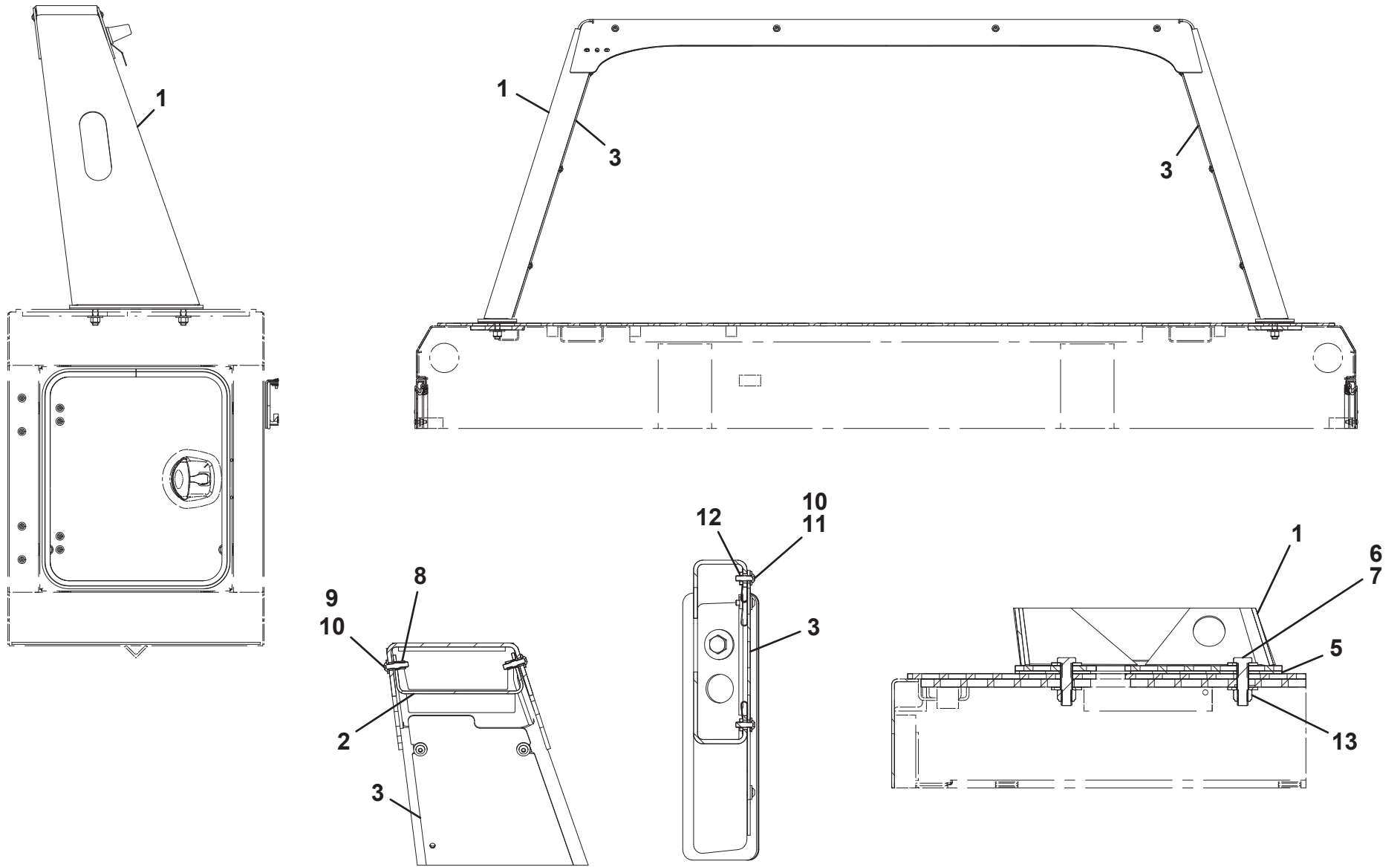
# LIGHT PYLON INSTALLATION 37"



**LIGHT PYLON INSTALLATION 28.31"**

ITEM	PART NO.	DESCRIPTION	QTY
1	3509570106	Pylon	1
2	4263000689	Channel	1
3	4314000102	Plate	2
5	7796000101	Gasket	2
6	7115181650	Capscrew, 0.50"-13NC x 2.00"	4
7	7950180161	Flatwasher, 0.50" ID	4
8	7413000002	Nutsert, 0.25"-20NC	8
9	7114140818	Capscrew, 0.25"-20NC x 1.00"	8
10	7950140143	Flatwasher, 0.25" ID	20
11	7114140618	Capscrew, 0.25"-20NC x 0.75"	12
12	7661000019	U-Nut, 0.25"-20NC	12
13	7660182601	Locknut, 0.50"-13NC	4

# LIGHT PYLON INSTALLATION 28.31"

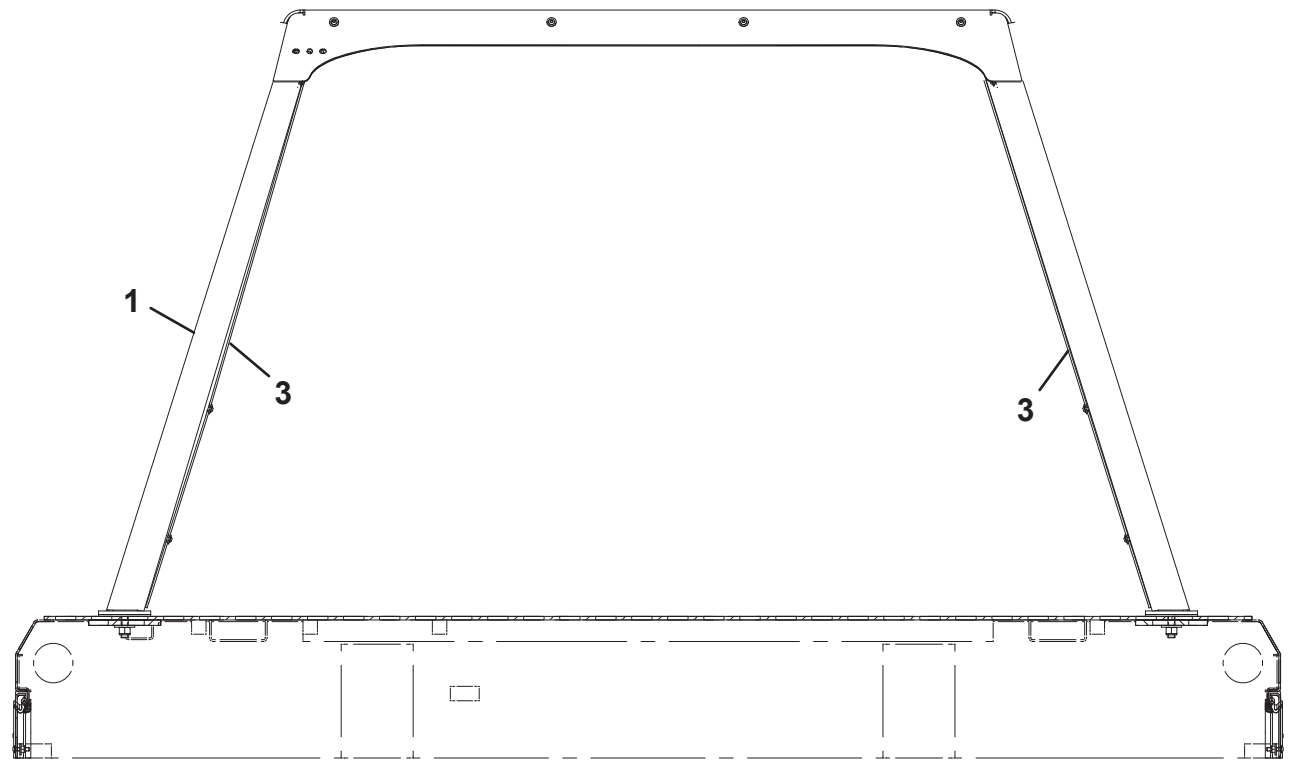
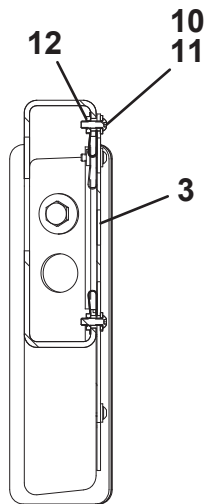
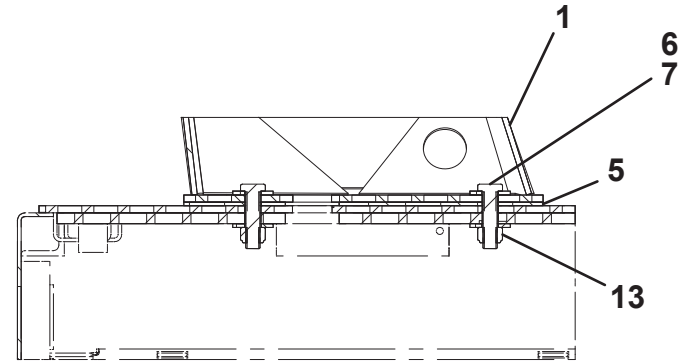
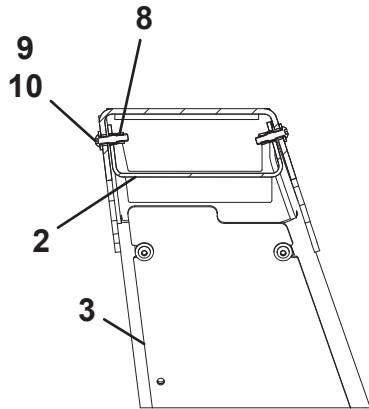


**LIGHT PYLON INSTALLATION 41.50"**

ITEM	PART NO.	DESCRIPTION	QTY
1	3509570111	Light Pylon	1
2	4263000689	Channel	1
3	4314000103	Cover Plate	2
5	7796000101	Gasket	2
6	7115181650	Capscrew, 0.50"-13NC x 2.00"	4
7	7950180161	Flatwasher, 0.50" ID	8
8	7413000002	Nutsert, 0.25"-20NC	8
9	7114140818	Capscrew, 0.25"-20NC x 1.00"	8
10	7950140143	Flatwasher, 0.25" ID	20
11	7114140618	Capscrew, 0.25"- 20NC x 0.75"	12
12	7661000019	U-Nut, 0.25"-20NC	12
13	7660182601	Locknut, 0.50"-13NC	4



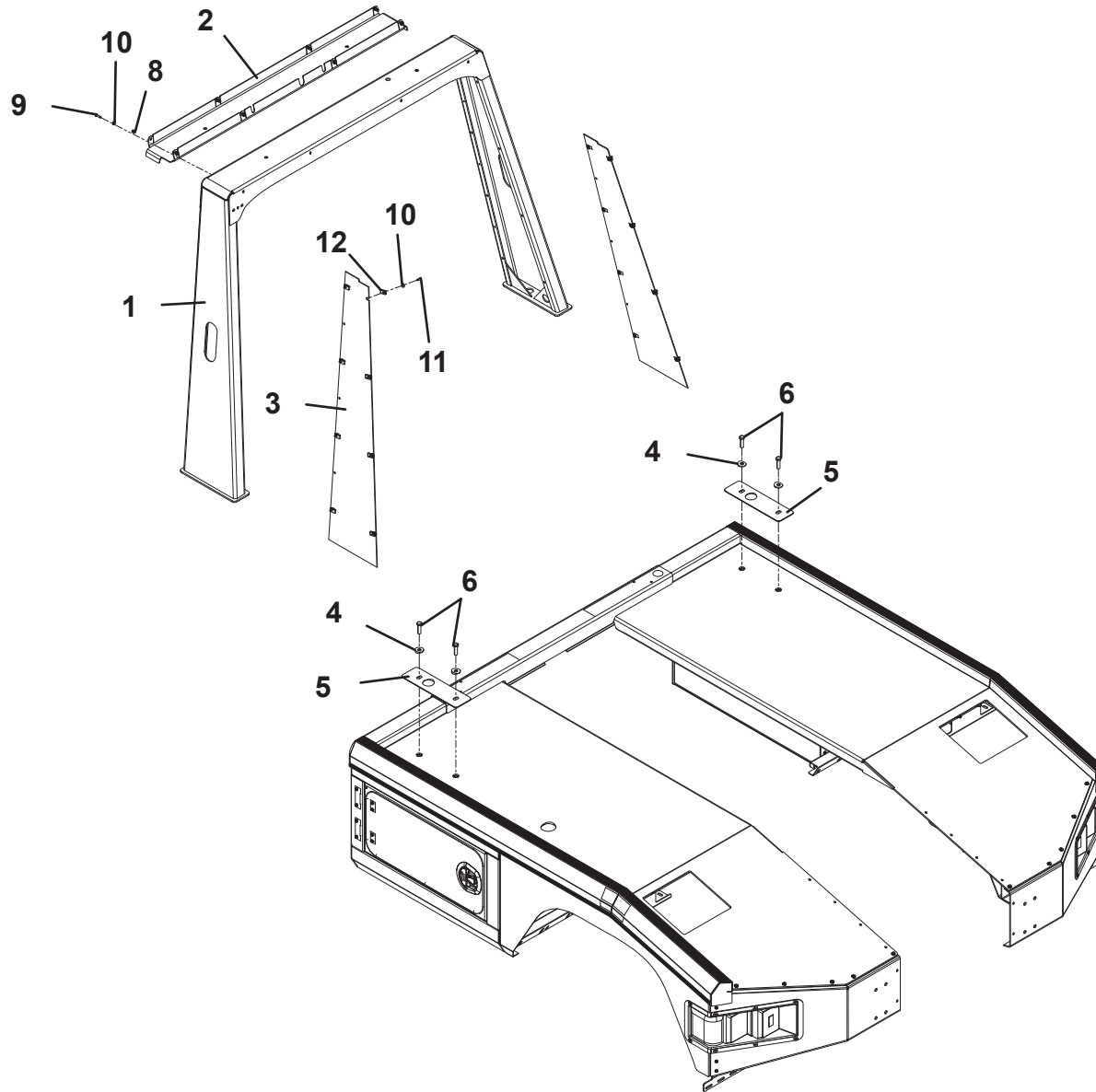
# LIGHT PYLON INSTALLATION 41.50"



**LIGHT PYLON INSTALLATION 50"**

ITEM	PART NO.	DESCRIPTION	QTY
1	3509570113	Light Pylon	1
2	4263000689	Channel	1
3	4314000125	Cover Plate	2
4	7949000058	Washer, 0.53" ID	4
5	7796000101	Gasket	2
6	7115181450	Capscrew, 0.50"-13NC x 1.75"	4
7	7950180161	Flatwasher, 0.50" ID	4
8	7413000002	Nutsert, 0.25"-20NC	8
9	7114140818	Capscrew, 0.25"-20NC x 1.00"	8
10	7950140143	Flatwasher, 0.25" ID	20
11	7114140618	Capscrew, 0.25"-20NC x 0.75"	12
12	7661000019	U-Nut, 0.25"-20NC	12

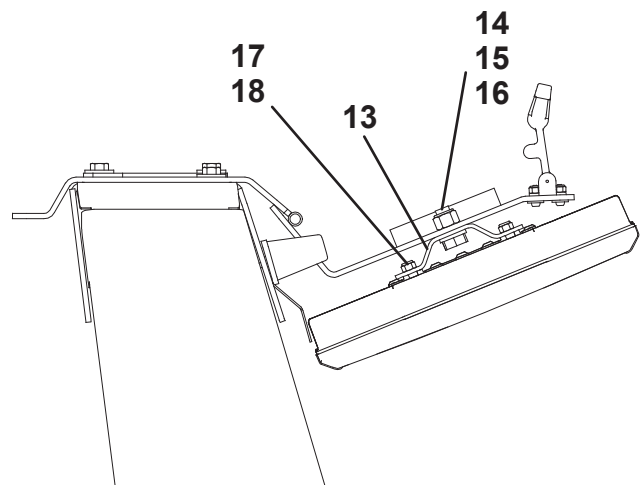
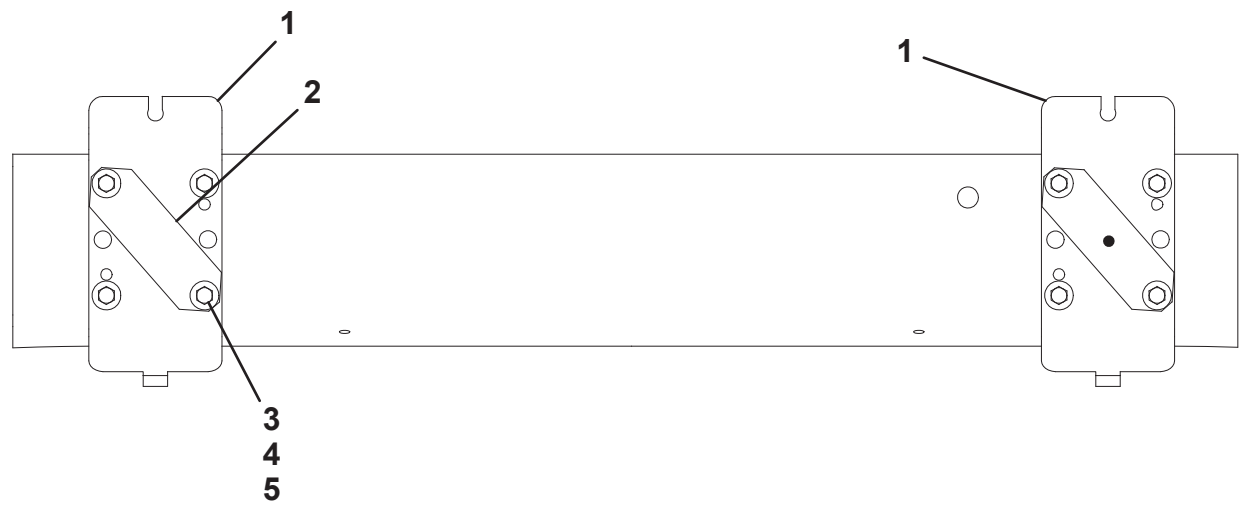
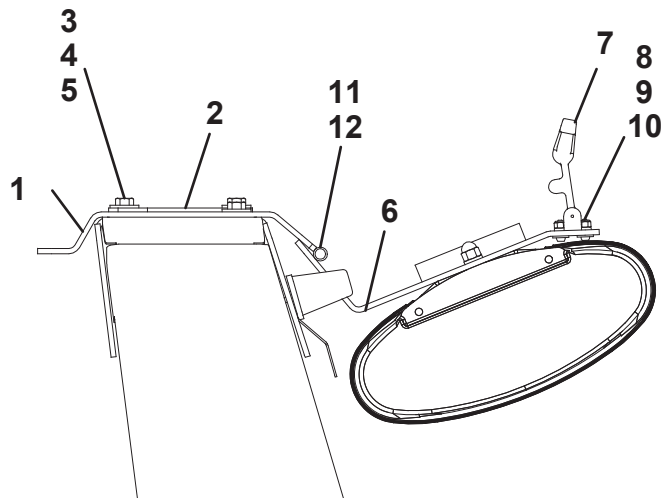
# LIGHT PYLON INSTALLATION 50"



**FOLD DOWN LIGHT BAR**

ITEM	PART NO.	DESCRIPTION	QTY
1	3178000443	Bracket	2
2	4090000012	Belt	2
3	7115161250	Capscrew, 0.38"-16NC x 1.50"	8
4	7950160161	Flatwasher, 0.38" ID	8
5	7660162601	Locknut, 0.38"-16NC	8
6	3178000444	Bracket	2
7	7585000001	Latch	2
8	7114100518	Capscrew, #10-24NC x 0.62"	4
9	7950100103	Flatwasher, #10 ID	4
10	7660102604	Locknut, #10-24NC	4
11	7690144800	Pin	2
12	7690000810	Pin	2
13	4178000402	Bracket	4
14	7115190950	Capscrew, 0.50"-13NC x 1.13"	4
15	7660182601	Locknut, 0.50"-13NC	4
16	7950180150	Flatwasher, 0.50" ID	4
17	7115150664	Bolt, 0.31"-18NC x 0.75"	4
18	7660152601	Locknut, 0.31"-18NC	4

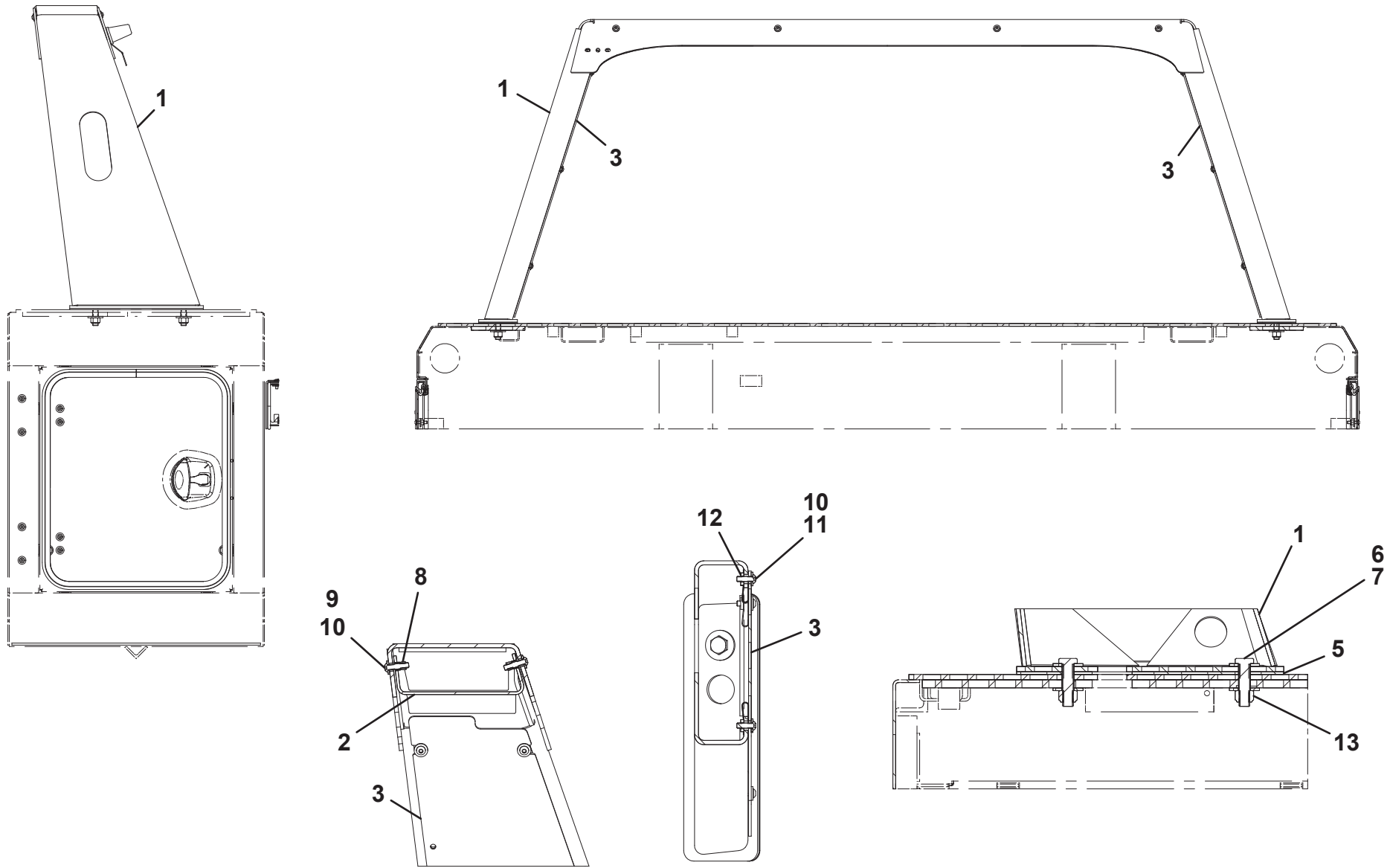
# FOLD DOWN LIGHT BAR



**LIGHT PYLON INSTALLATION 33"**

ITEM	PART NO.	DESCRIPTION	QTY
1	3509570119	Pylon	1
2	4263000689	Channel	1
3	4314000102	Plate	2
5	7796000101	Gasket	2
6	7115181650	Capscrew, 0.50"-13NC x 2.00"	4
7	7950180161	Flatwasher, 0.50" ID	4
8	7413000002	Nutsert, 0.25"-20NC	8
9	7114140818	Capscrew, 0.25"-20NC x 1.00"	8
10	7950140143	Flatwasher, 0.25" ID	20
11	7114140618	Capscrew, 0.25"- 20NC x 0.75"	12
12	7661000019	U-Nut, 0.25"-20NC	12
13	7660182601	Locknut, 0.50"-13NC	4

# LIGHT PYLON INSTALLATION 33"

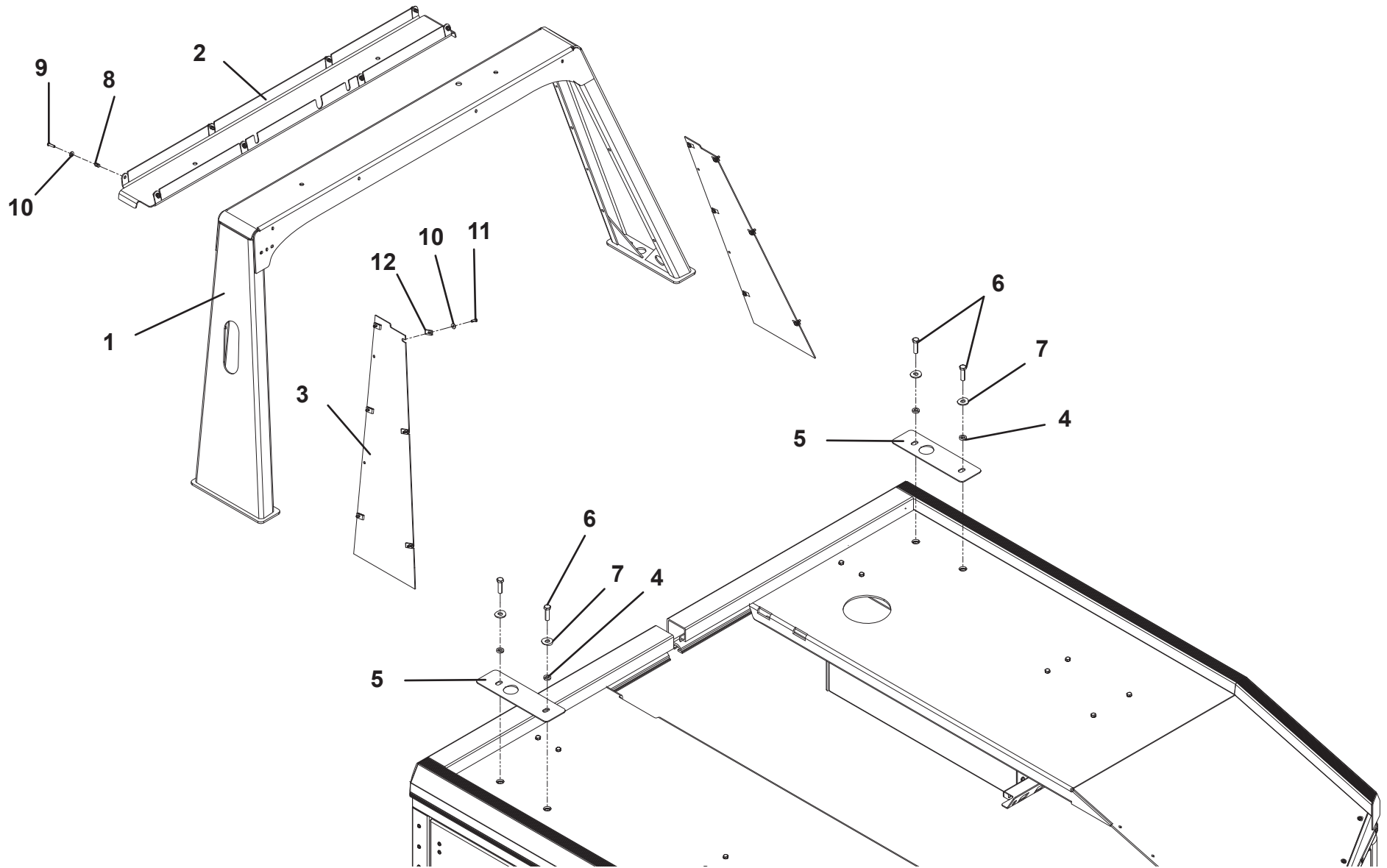


**LIGHT PYLON INSTALLATION 34" ALUMINUM MPL SE-**

ITEM	PART NO.	DESCRIPTION	QTY
1	3509570137	Light Pylon	1
2	4263000689	Channel	1
3	4314000224	Coverplate	2
4	7949000058	Washer	4
5	7796000101	Gasket	2
6	7115181450	Capscrew, 0.50"-13NC x 1.75"	4
7	7950180161	Flatwasher, 0.50" ID	4
8	7413000002	Nutsert, 0.25"-20NC	8
9	7114140818	Capscrew, 0.25"-20NC x 1.00"	8
10	7950140143	Flatwasher, 0.25" ID	20
11	7114140618	Capscrew, 0.25"-20NC x 0.75"	12
12	7661000019	U-Nut, 0.25"-20NC	12



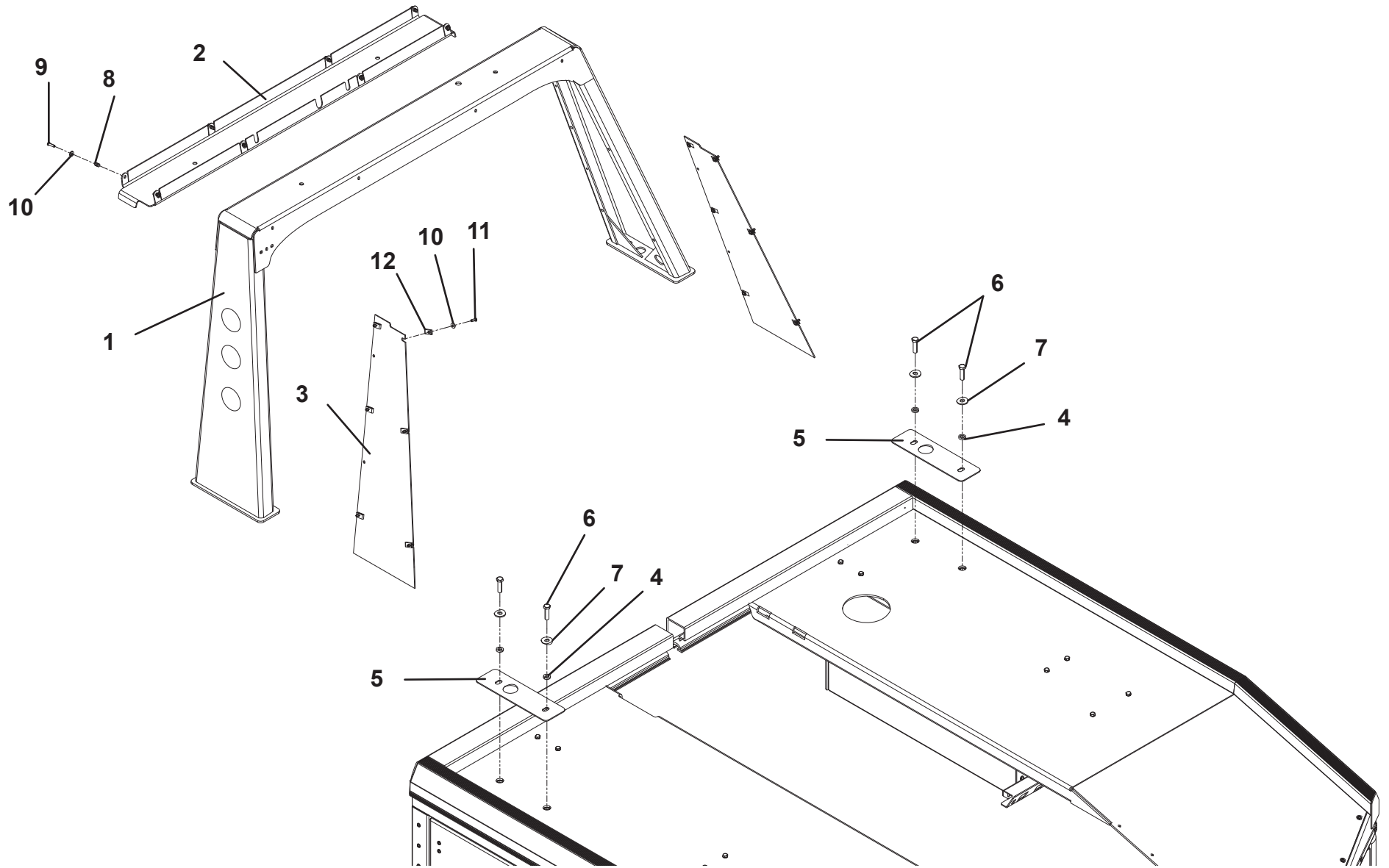
# LIGHT PYLON INSTALLATION 34" ALUMINUM MPL SERIES



**LIGHT PYLON INSTALLATION 28.31" MPL40**

ITEM	PART NO.	DESCRIPTION	QTY
1	3550001694	Pylon Weld 28" MPL-40 W/2.5" L	1
2	4263000689	Channel 0.12" X 9.13" X 55.32" Al	1
3	4314000102	Cover Plate 0.12" X 13.74" X 25"	2
5	7796000101	Gasket 0.12" X 3.62" X 12.50"	2
6	7115181650	Capscrew 0.50"-13nc X 2.00" He	4
7	7950180161	Flatwasher 0.50" Nom Wide - Pla	8
8	7413000002	Nutsert 0.25"-20nc Atlas Ind.	8
9	7114140818	Capscrew 0.25"-20 X 1.00" Ss B	8
10	7950140143	Flatwasher 0.25" Nom Narrow Ss	20
11	7114140618	Capscrew 0.25 - 20nc X 0.75" Ss B	12
12	7661000019	U-Nut 0.25"-20nc	12
13	7660182601	Locknut 0.50"-13NC Gr5 Hex Nylo	4

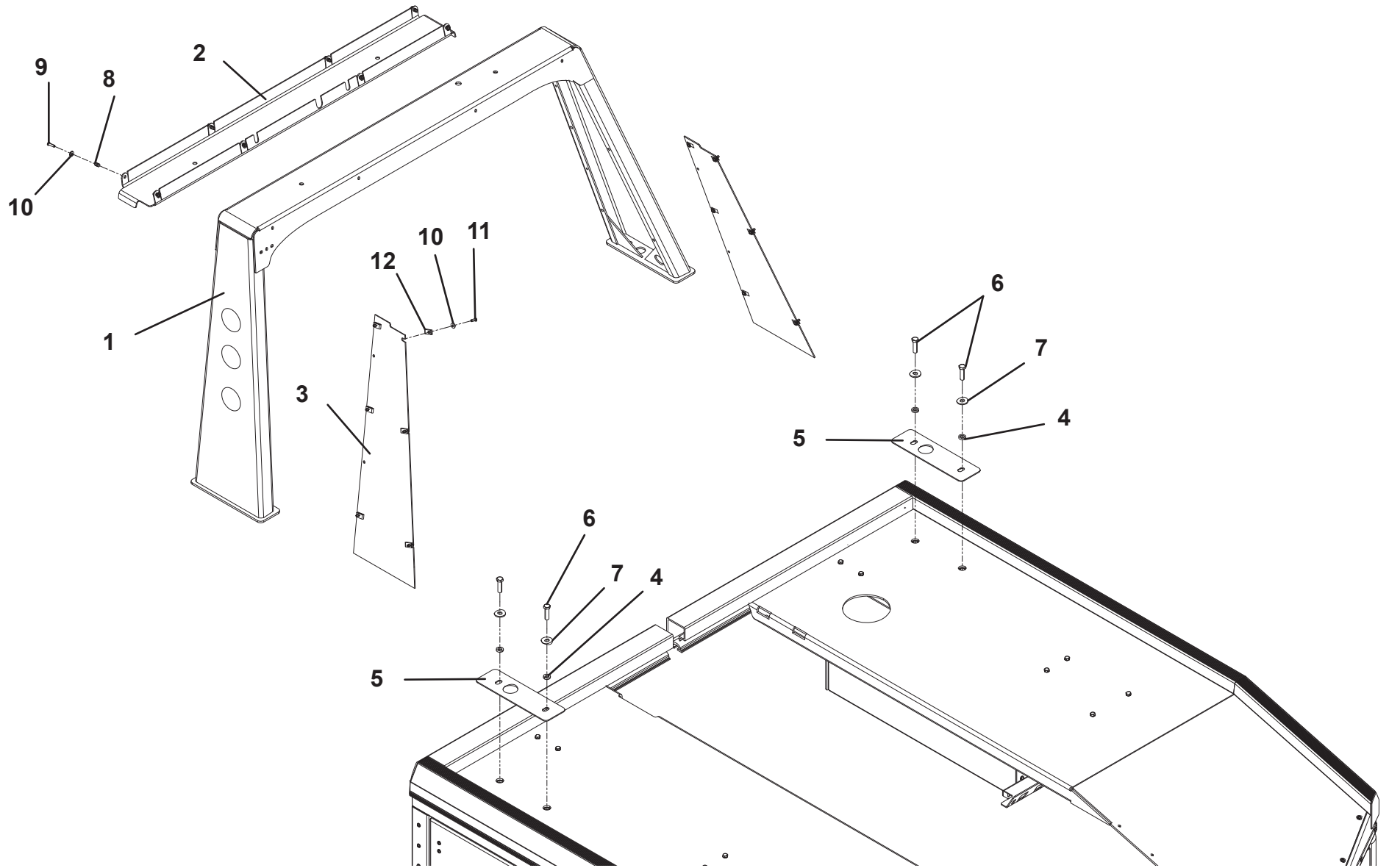
# LIGHT PYLON INSTALLATION 28.31" MPL40



**INSTALLATION PYLON 37" 3 MARKER**

ITEM	PART NO.	DESCRIPTION	QTY
1	3550001692	Pylon, 37"	1
2	4263000689	Channel	1
3	4706005002	Plate	2
4	7949000058	Washer, 0.53" ID	4
5	7796000101	Gasket	2
6	7115181450	Capscrew, 0.50"-13NC x 1.75"	4
7	7950180161	Flatwasher, 0.50" ID	4
8	7413000002	Nutsert, 0.25"-20NC	8
9	7114140818	Capscrew, 0.25"-20NC x 1.00"	8
10	7950140143	Flatwasher, 0.25" ID	20
11	7114140618	Capscrew, 0.25"-20NC x 0.75"	12
12	7661000019	U-Nut, 0.25"-20NC	12

# INSTALLATION PYLON 37" 3 MARKER



**THIS PAGE INTENTIONALLY LEFT BLANK**

## SECTION 4 - CONTROL

**HOSE INSTALLATION W/O ANTI-STALL**

ITEM	PART NO.	DESCRIPTION	QTY	REV
	3509530154	Hose Installation W/O Anti-Stall	Ref	D
1	7935000311	Valve Assembly Parker (See Separate Breakdown in this Section)	1	
2	7115150850	Capscrew, 0.31"-18NC X 1.00"	4	
3	7950150000	Washer, 0.31" ID	4	
4	7950150161	Flatwasher 0.31" ID	8	
5	7445080845	Elbow	1	
6	7443000435	Fitting	1	
7	7443000436	Fitting	1	
8	7445060643	Adapter Straight	2	
9	7445060843	Adapter	6	
10	7935000308	Valve Assembly	1	
11	7114151650	Capscrew, 0.31"-18NC X 2.00"	4	
12	7660152601	Locknut, 0.31"-18NC	4	
13	7445060645	Elbow	6	
14	7445060647	Branch	2	
15	7445060625	Fitting Union Bulkhead	2	
16	7445040443	Adapter	2	
17	4819000008	Hose	1	
18	7819000005	Hose	A/R	
19	1001173683	Valve	1	
20	4495000011	Guard	1	
21	5526000553	Tie Strap	3	
22	7430000003	Filter Assembly	1	
23	7114140650	Capscrew, 0.25"-20NC X .75"	2	
24	7950140003	Lockwasher, 0.25" ID	2	
25	7950140143	Flatwasher, 0.25" ID	2	
26	7443000066	Fitting	1	
27	7470000002	Gauge	1	
28	7443000319	Fitting	2	
29	7274000080	Hose Clamp	4	
30	7577000623	Tube	1	
31	7445080818	Nut	1	



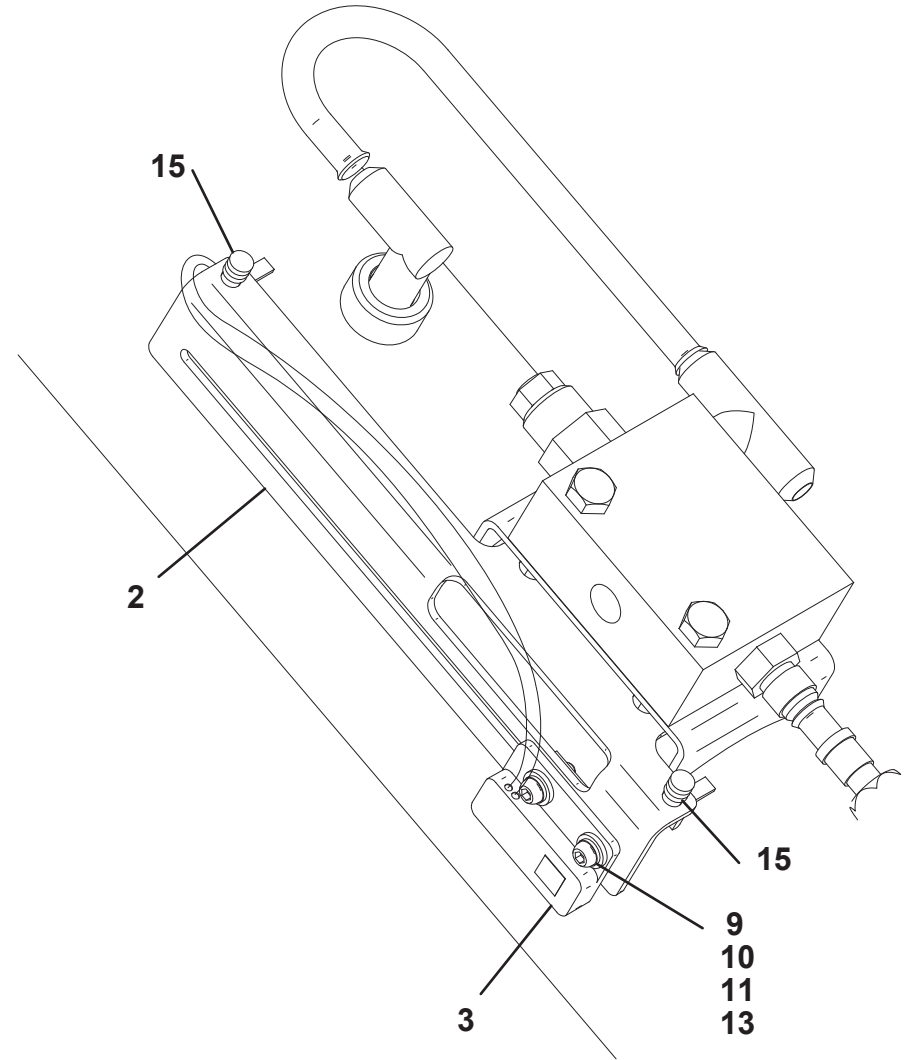
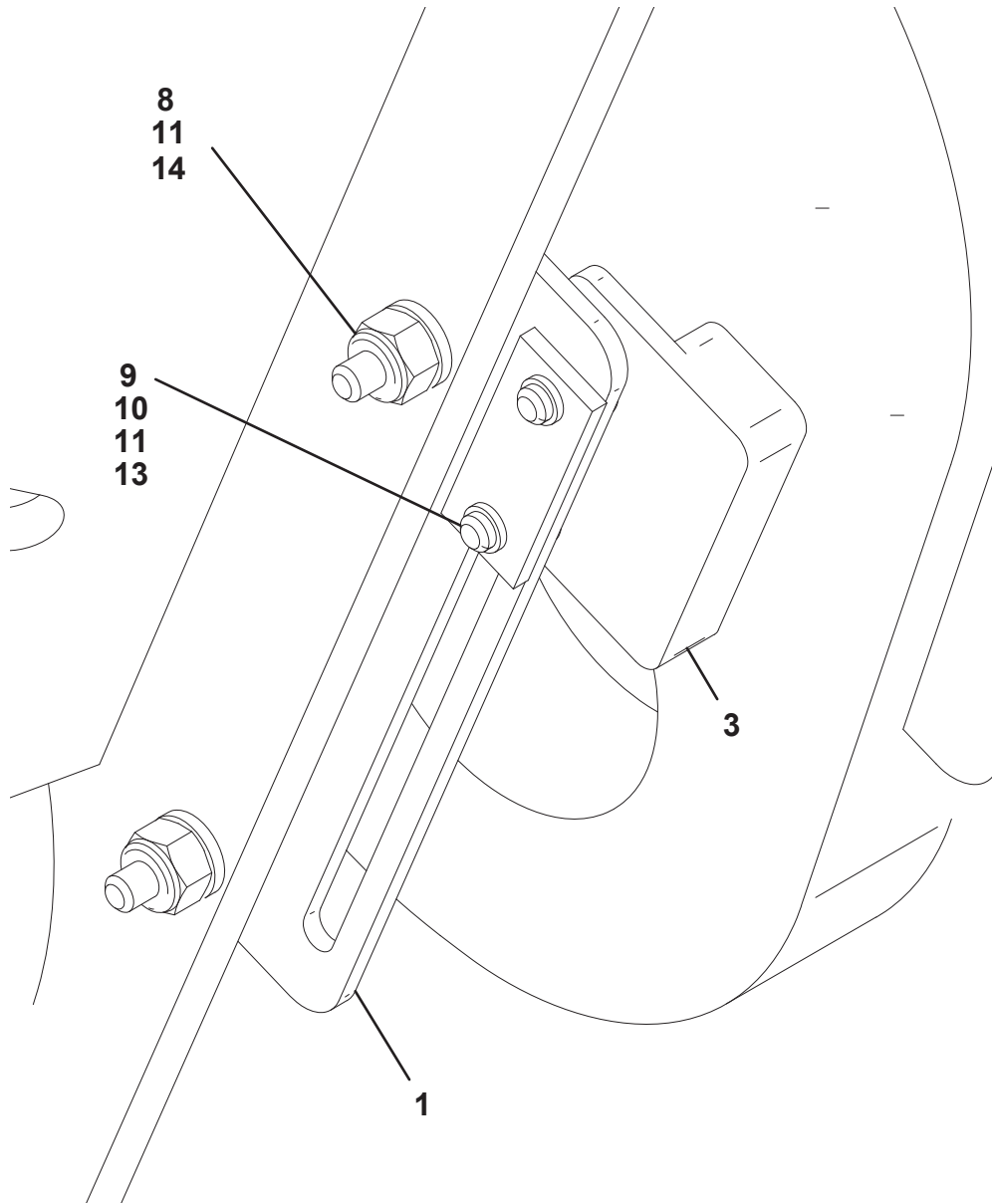
**HOSE INSTALLATION W/O ANTI-STALL**

**BBL Art To Be Inserted Soon  
Waiting on Vendor Information**

**UNDERLIFT LEVEL STOP**

ITEM	PART NO.	DESCRIPTION	QTY	REV
	2509170077	Underlift Level Stop	Ref	C
1	4178000709	Bracket	1	
2	4178000705	Bracket	1	
3	7870000126	Switch Steel Sensing Prox	2	
4	7346000261	Electrical controller Level Stop Relay	1	
5	7552000367	Harness Level Switch Lift Cylinder	1	
6	7552000368	Harness Level Switch Tilt Cylinder	1	
7	7114100618	Screw, #10-24NC X 0.75"	2	
8	7114100818	Screw, #10-24NC X 1.00"	2	
9	7114100518	Screw, #10-24NC X 0.62"	4	
10	7950100003	Washer	4	
11	7950100103	Flatwasher, #10	8	
12	7950100163	Flatwasher, #10	8	
13	7661000056	Nut	2	
14	7660102604	Locknut, #10-24NC	4	
15	7894000042	Tie Strap	4	
16	5526000553	Tie Strap Plastic	10	
17	7894000004	Tie Strap Plastic	3	

# UNDERLIFT LEVEL STOP



**VALVE ASSEMBLY PARKER**

ITEM	PART NO.	DESCRIPTION	QTY	REV
	7935000311	Valve Assembly Parker	Ref	C
1		Valve Body	1	
2		Directional Valve	2	
3		Relief valve	1	
4		Plug	14	
5		Plug	2	
6		Screw, 0.31"-18NC	20	
7		Plug	2	
8		Directional Valve	1	
9		Diff. Relief valve	1	
10		Plug	6	
11		Counterbalance Valve	1	
12		Directional Valve	2	

**VALVE ASSEMBLY PARKER**

**BBL Art To Be Inserted Soon  
Waiting on Vendor Information**

**HOSE INSTALLATION W/ ANTI-STALL**

ITEM	PART NO.	DESCRIPTION	QTY	REV
	3509530155	Hose Installation W/ Anti-Stall	Ref	C
1	7935000363	Valve Assembly Parker (See Separate Breakdown in this Section)	1	
2	7115150850	Capscrew, 0.31"-18NC X 1.00"	4	
3	7950150000	Washer, 0.31" ID	4	
4	7950150161	Flatwasher 0.31" ID	8	
5	7445080845	Elbow	1	
6	7443000435	Fitting	1	
7	7443000436	Fitting	1	
8	7445060643	Adapter Straight	2	
9	7445060843	Adapter	6	
10	7935000308	Valve Assembly	1	
11	7114151650	Capscrew, 0.31"-18NC X 2.00"	4	
12	7660152601	Locknut, 0.31"-18NC	4	
13	7445060645	Elbow	6	
14	7445060647	Branch	2	
15	7445060625	Fitting Union Bulkhead	2	
16	7445040443	Adapter	2	
17	4819000008	Hose	1	
18	7819000005	Hose	A/R	
19	1001173683	Valve	1	
20	4495000011	Guard	1	
21	5526000553	Tie Strap	3	
22	7430000003	Filter Assembly	1	
23	7114140650	Capscrew, 0.25"-20NC X .75"	2	
24	7950140003	Lockwasher, 0.25" ID	2	
25	7950140143	Flatwasher, 0.25" ID	2	
26	7443000066	Fitting	1	
27	7470000002	Gauge	1	
28	7443000319	Fitting	2	
29	7274000122	Hose Clamp	4	
30	7577000623	Tube	1	
31	7445080818	Nut	1	

## HOSE INSTALLATION W/ ANTI-STALL

**BBL Art To Be Inserted Soon  
Waiting on Vendor Information**

**VALVE ASSEMBLY PARKER**

ITEM	PART NO.	DESCRIPTION	QTY	REV
	7935000363	Valve Assembly Parker	Ref	C
1		Valve Body	1	
2		Directional Valve	2	
3		Plug	1	
4		Plug	14	
5		Plug	2	
6		Screw, 0.31"-18NC	20	
7		Plug	2	
8		Directional Valve	1	
9		Diff. Relief valve	1	
10		Plug	6	
11		Counterbalance Valve	1	
12		Directional Valve	2	



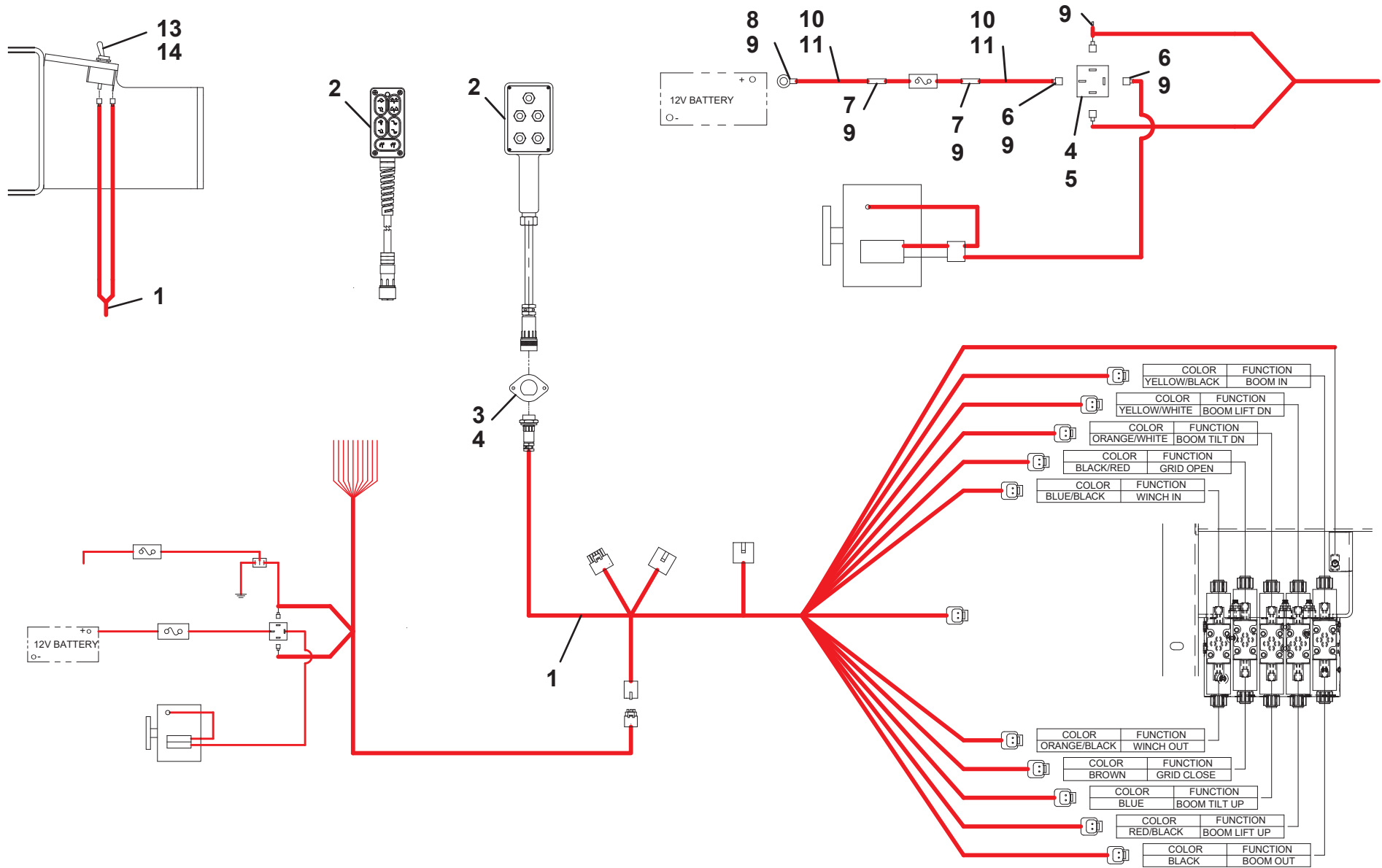
**VALVE ASSEMBLY PARKER**

**BBL Art To Be Inserted Soon  
Waiting on Vendor Information**

**ELECTRICAL ASSEMBLY CONTROLS**

ITEM	PART NO.	DESCRIPTION	QTY	REV
	3509330126	Electrical Assembly Controls	Ref	C
1	7552000365	Harness	1	
2	7295000062	Controller	1	
3	4706003402	Plate	1	
4	7120000034	Screw #10 X 0.75"	3	
5	7740000003	Relay	1	
6	7345001710	Tab	2	
7	7345001714	Terminal	1	
8	7345221702	Terminal	1	
9	7346000039	Tube	1	
10	8977500100	Wire	3	
11	8597650002	Wire	3	
13	1001174496	Switch	1	
14	7560000004	Boot Toggle Switch	1	

# ELECTRICAL ASSEMBLY CONTROLS



**ELECTRICAL WIRED CONTROLS**

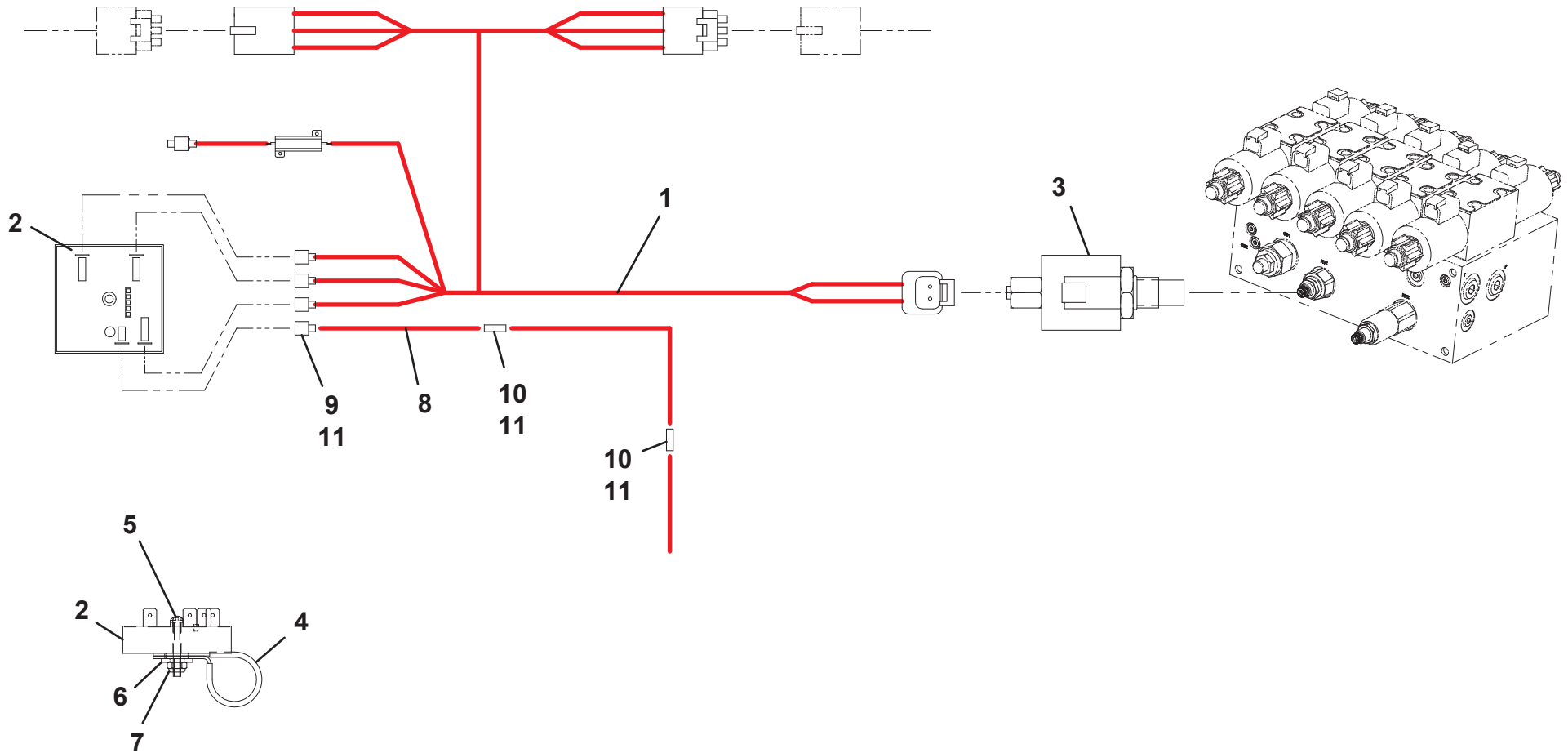
ITEM	PART NO.	DESCRIPTION	QTY	REV
	1001127427	Electrical Wired Controls	Ref	C
1	7552000365	Harness	1	
2	7295000131	Controller	1	
3	4706003402	Plate	1	
4	7120000034	Screw, #10 X 0.75"	3	
5	7740000003	Relay	1	
6	7345001710	Tab	2	
7	7345001714	Terminal	2	
8	7345221702	Terminal	1	
9	7346000039	Tube	1	
10	8977500100	Wire	3	
11	8597650002	Wire	3	
13	1001174496	Switch	1	
14	7560000004	Boot Toggle Switch	1	



**ELECTRICAL ASSEMBLY ANTI-STALL, 2011-2016 FORD V-8 GAS**

ITEM	PART NO.	DESCRIPTION	QTY	REV
	1001126958	Electrical Assembly Anti-Stall, 2011-2016 FORD V-8 GAS	Ref	
1	7552000427	Harness, Anti-Stall	1	
2	1001126957	Anti-Stall Control	1	
3	7935000361	Valve	1	
4	7274000040	Clamp	1	
5	7114060810	Capscrew, #6-32NC X 1.00"	1	
6	7950100163	Flatwasher, #10	1	
7	7660062604	Locknut, #6-32NC	1	
8	8977010400	Wire	2	
9	7345001710	Tab	1	
10	7345001714	Terminal	2	
11	7346000039	Tubing	A/R	

# ELECTRICAL ASSEMBLY ANTI-STALL, 2011-2016 FORD V-8 GAS

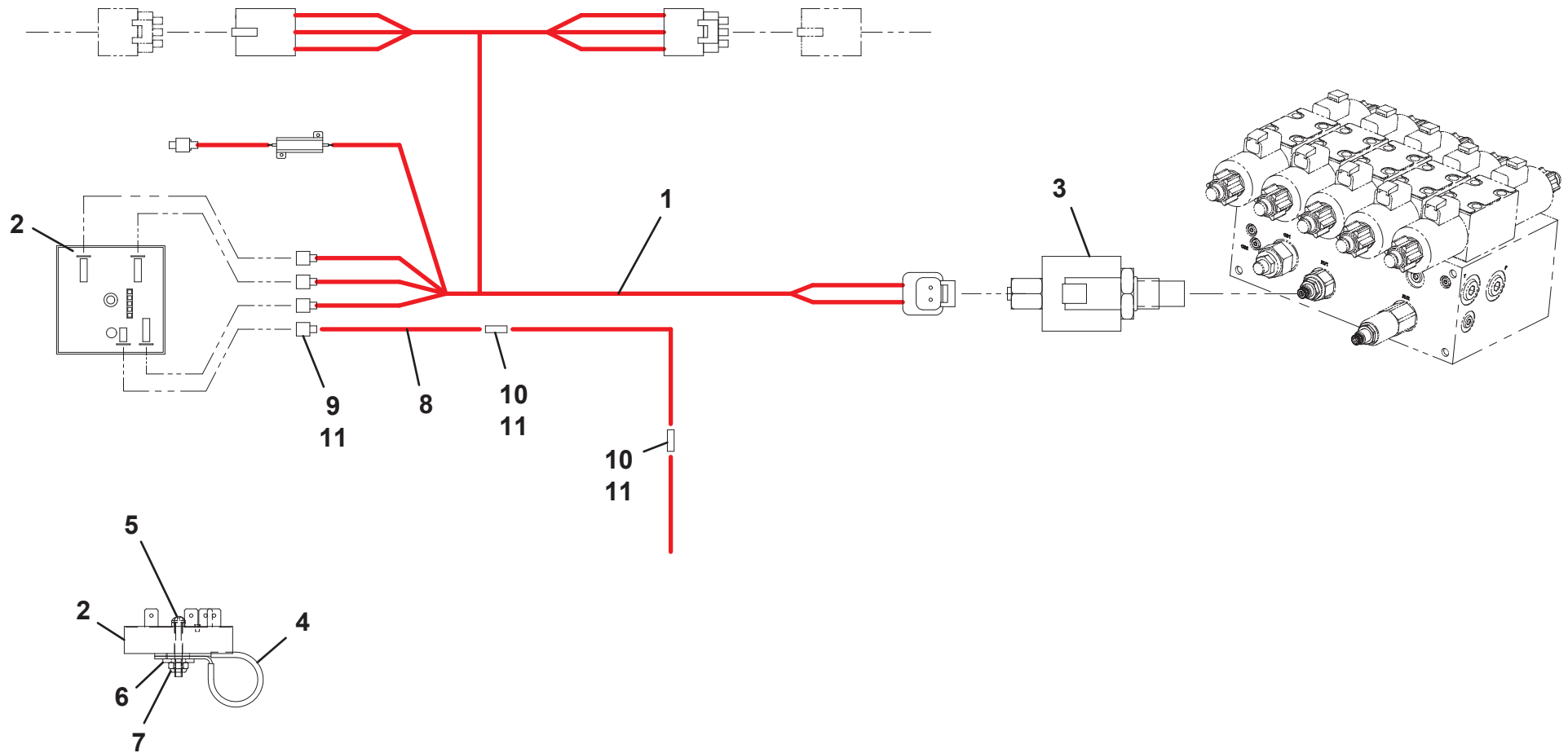


**ELECTRICAL ASSEMBLY ANTI-STALL, 2008 FORD V-10 GAS**

ITEM	PART NO.	DESCRIPTION	QTY	REV
	3509330128	Electrical Assembly Anti-Stall, 2008 FORD V-10 GAS	Ref	
1	7552000427	Harness, Anti-Stall	1	
2	3295000003	Control Assembly	1	
3	7935000361	Valve	1	
4	7274000040	Clamp	1	
5	7114060810	Capscrew, #6-32NC X 1.00"	1	
6	7950100163	Flatwasher, #10	1	
7	7660062604	Locknut, #6-32NC	1	
8	8977010400	Wire	2	
9	7345001710	Tab	1	
10	7345001714	Terminal	2	
11	7346000039	Tubing	A/R	



# ELECTRICAL ASSEMBLY ANTI-STALL, 2008 FORD V-10 GAS



**THIS PAGE INTENTIONALLY LEFT BLANK**

## SECTION 5 - CYLINDER

**BOOM LIFT CYLINDER ASSEMBLY**

ITEM	PART NO.	DESCRIPTION	QTY	REV
	1001194371	Boom Lift Cylinder Assembly	Ref	B

**BOOM LIFT CYLINDER ASSEMBLY**

**BBL Art To Be Inserted Soon  
Waiting on Vendor Information**

**UNDERLIFT TILT CYLINDER ASSEMBLY**

ITEM	PART NO.	DESCRIPTION	QTY	REV
	1001194372	Underlift Tilt Cylinder Assembly	Ref	B

## UNDERLIFT TILT CYLINDER ASSEMBLY

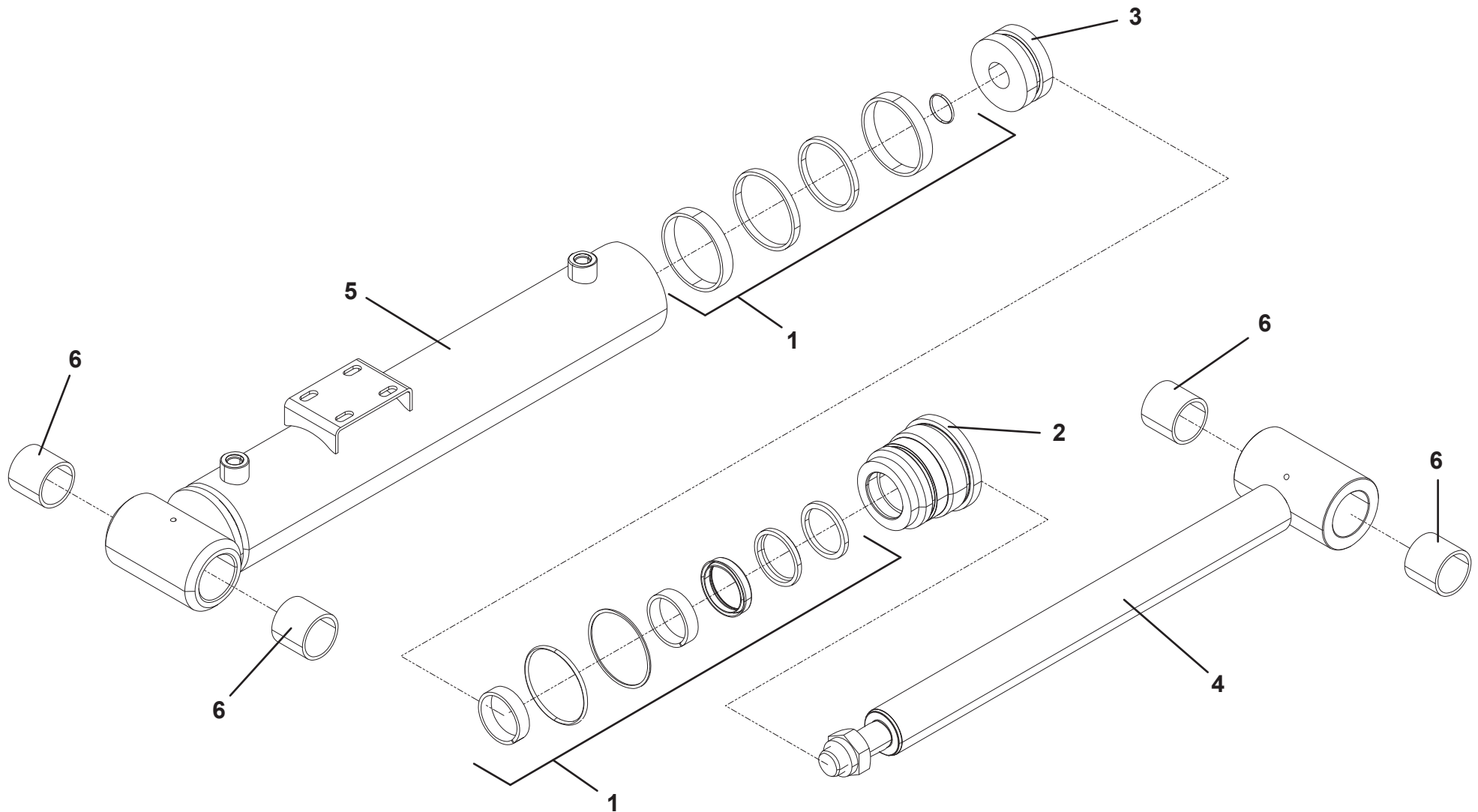
**BBL Art To Be Inserted Soon  
Waiting on Vendor Information**

**CYLINDER ASSEMBLY - 7320000077**

ITEM	PART NO.	DESCRIPTION	QTY
1	70051664	Seal Kit	1
2	70051660	Head	1
3	70051661	Piston	1
4	70051662	Rod Weldment	1
5	70051663	Barrel Weldment	1



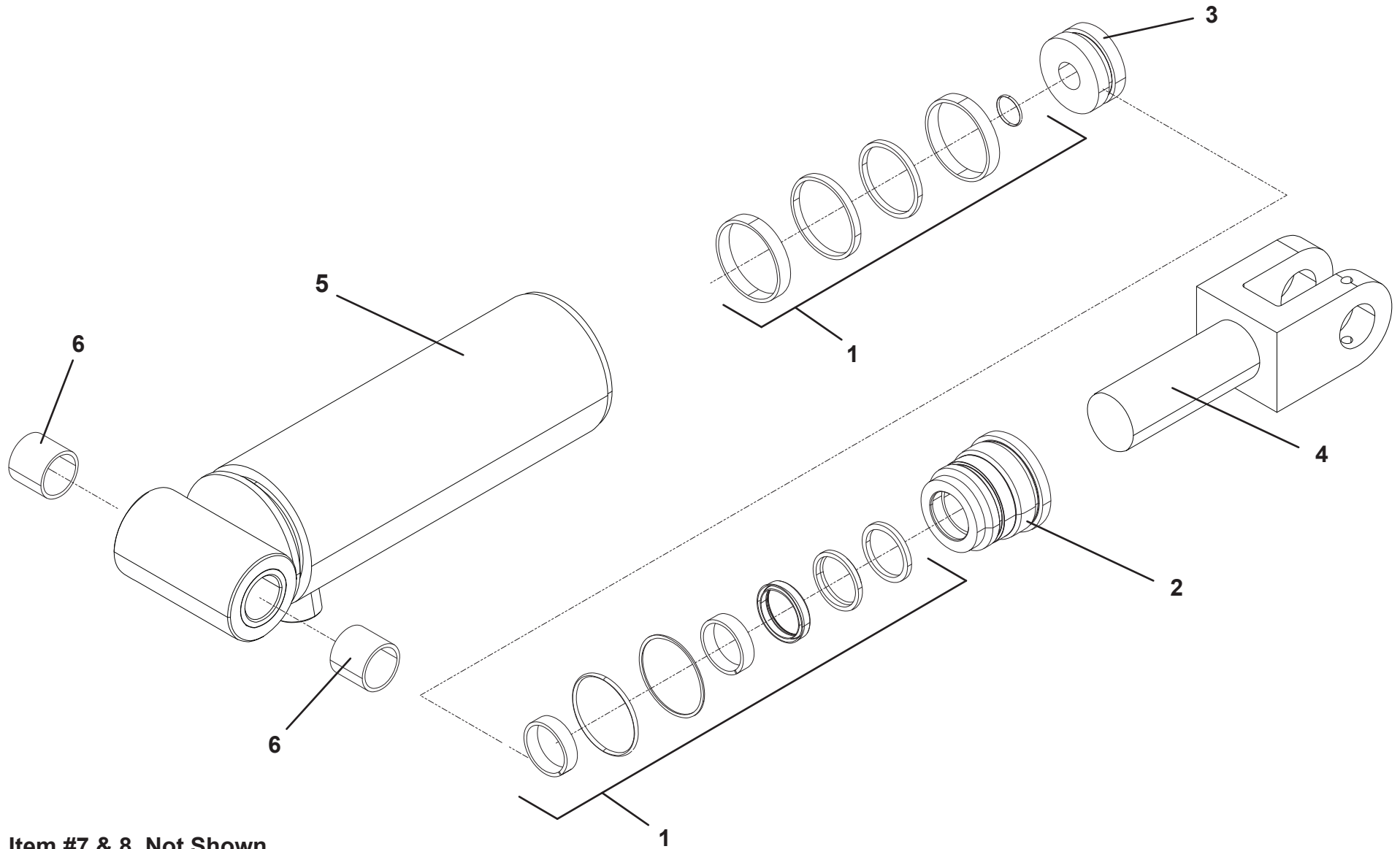
# CYLINDER ASSEMBLY - 732000077



**CYLINDER ASSEMBLY - 7320000064**

ITEM	PART NO.	DESCRIPTION	QTY
1	70051482	Seal Kit	1
2	70051654	Head	1
3	70051655	Piston	1
4	70051656	Rod Weldment	1
5	70051657	Barrel Weldment	1
6	7082000026	Bearings	4
7	70051658	Retention Pill	1
8	70051659	Roll Pin	1

# CYLINDER ASSEMBLY - 7320000064



Item #7 & 8, Not Shown

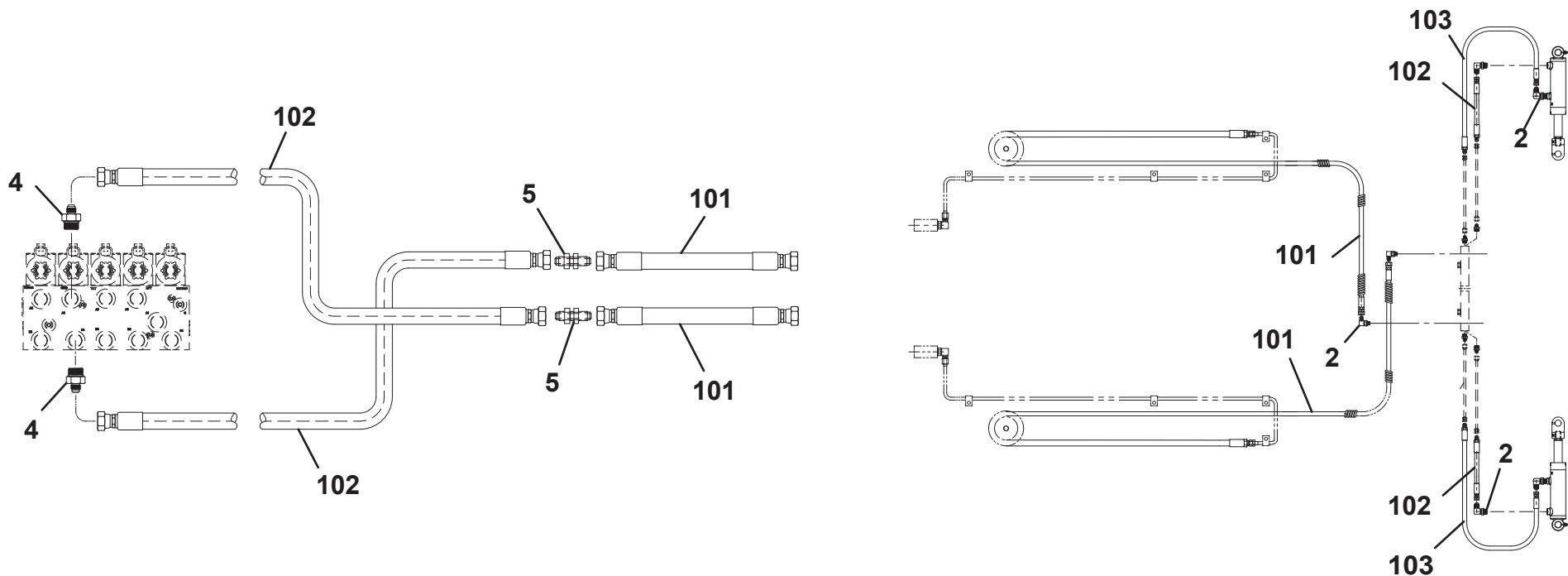
**THIS PAGE INTENTIONALLY LEFT BLANK**

## SECTION 6 - HYDRAULIC

## HYDRAULIC GRID HLF INSTALLATION

ITEM	PART NO.	DESCRIPTION	QTY	REV
	1001137494	Hydraulic Grid HLF Installation	Ref	B
1	3509530061	Hydraulic Schematic Grid	1	
2	3509870046	Hose Track Assy	1	
3	1001137495	Hose Kit	1	
4	7445060843	Adapter	2	
5	7445060625	Fitting	2	

# HYDRAULIC GRID HLF INSTALLATION

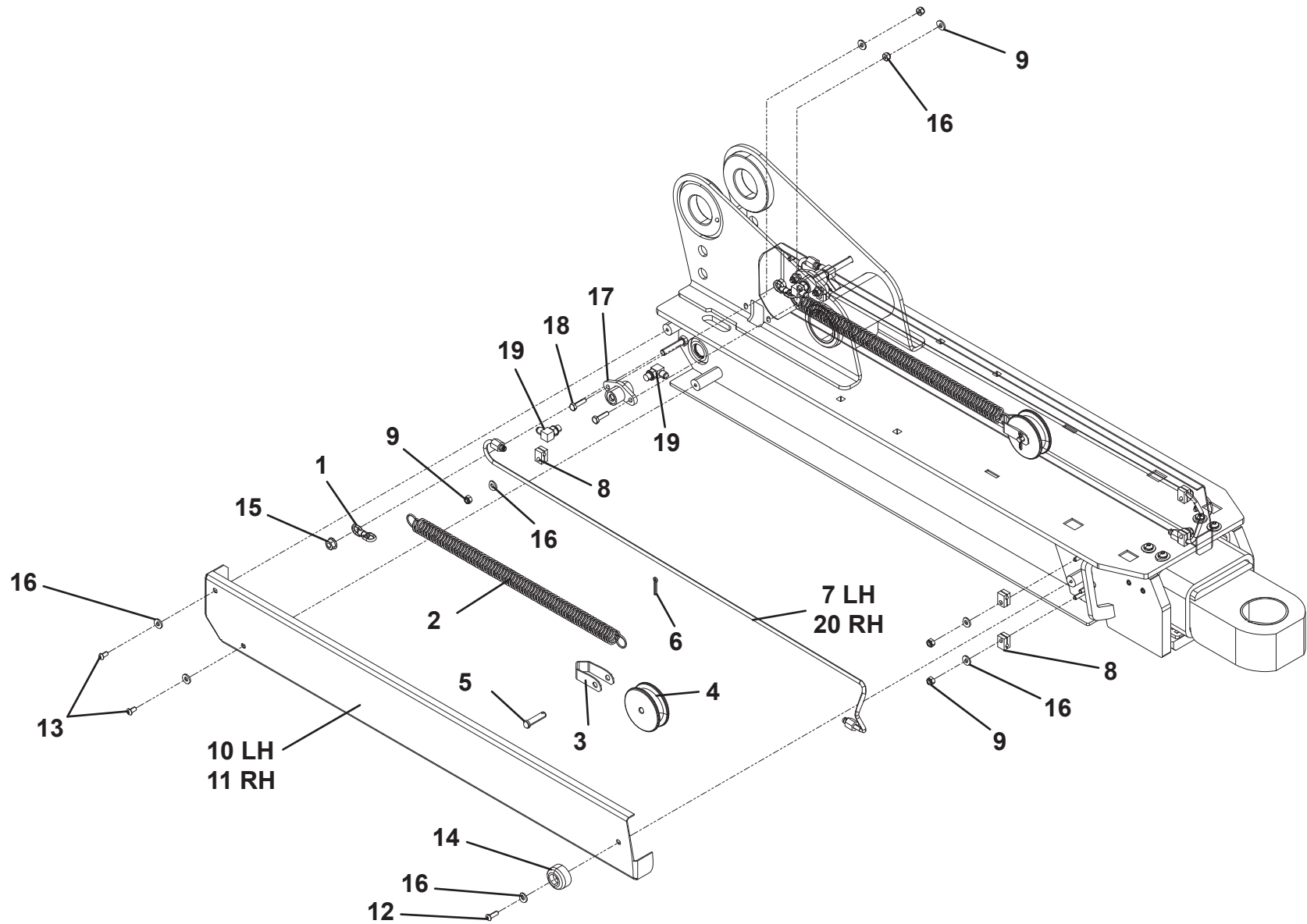


**UNDERLIFT HOSE TRACK ASSEMBLY**

ITEM	PART NO.	DESCRIPTION	QTY
1	7592000004	Swivel	2
2	7843000031	Spring	2
3	4706003501	Plate	2
4	7719000004	Roller	2
5	7691000040	Clevis	2
6	7691000042	Cotter Pin	2
7	7912000346	Tube Assembly	1
8	7274000073	Hose Clamp	6
9	7660142604	Locknut, 0.25" - 20NC	10
10	4706004066	Plate, LH	1
11	4706004067	Plate, RH	1
12	7114140618	Capscrew, 0.25" - 20NC x 0.75"	2
13	7114140427	Capscrew, 0.25" - 20NC x 0.50"	4
14	7189000019	Rubber Bumper	2
15	7660162301	Locknut, 0.38" - 16NC	2
16	7950140143	Flatwasher, 0.25" ID	16
17	3619000001	Manifold	2
18	7115140850	Capscrew, 0.25" - 20NC x 1.00"	4
19	7445040445	Elbow	4
20	7912000347	Tube Assembly	1



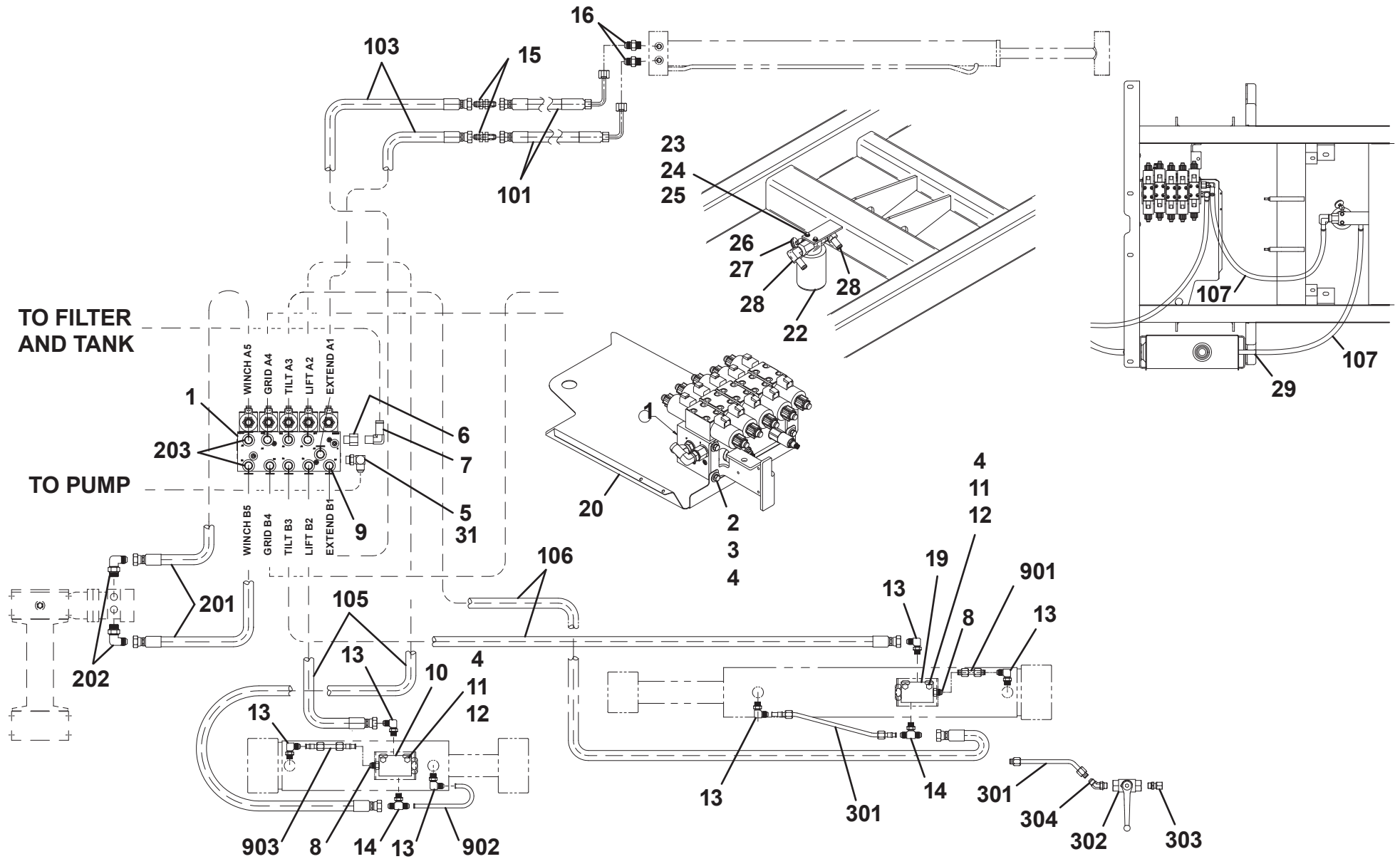
# UNDERLIFT HOSE TRACK ASSEMBLY



**HYDRAULIC LINES AND FITTINGS**

ITEM	PART NO.	DESCRIPTION	QTY	REV	ITEM	PART NO.	DESCRIPTION	QTY	REV
	5264001114	Hydraulic Lines and Fittings	Ref	B	24	7950140003	Lockwasher, 0.25"	2	
	3509530154	Hose Installation W/O Anti-Stall (includes items 1 thru 31)	1	D	25	7950140143	Flatwasher, 0.25"	2	
	3509530155	Hose Installation W/ Anti-Stall (includes items 1 thru 31)	1	C	26	7443000066	Fitting	1	
	1001137496	Hose, Kit HLF and Return (includes items 101 thru 107)	1	A	27	7470000002	Gauge	1	
	3509530149	Hose Installation W/O Winch (includes items 203)	1		28	7443000319	Fitting	2	
	3509530150	Hose Installation Tilt Cylinder W/O Ball Valve (includes items 301)	1		29	7274000080	Clamp	4	
	3509530151	Hose Installation Tilt Cylinder W/ Ball Valve (includes items 301 thru 304)	1			7274000122	Clamp	4	
	7577000623	Kit Steel Tube Kit (includes items 901 thru 903)	1	A	30	7577000623	Steel Tube Kit	1	
1	7935000311	Valve - W/O Anti-Stall	1		31	7445080818	Nut	1	
	7935000363	Valve - W/ Anti-Stall	1		101	4570000304	Hose Assembly	2	
2	7115150850	Capscrew, 0.31"-18NC x 1.00"	4		103	4567120112	Hose Assembly	2	
3	7950150000	Washer, 0.31"	4		105	4567120056	Hose Assembly	2	
4	7950150161	Flatwasher, 0.31"	8		106	4567120087	Hose Assembly	2	
5	7445080845	Fitting	1		107	4570000370	Hose Assembly	2	
6	7443000435	Fitting	1		203	7443000048	Fitting	2	
7	7443000436	Fitting	1		301	7912000292	Tube Assembly	1	
8	7445060643	Adapter	2		301	7912000315	Tube Assembly	1	
9	7445060843	Adapter	6		302	7935000345	Valve, High Pressure Ball	1	
10	7935000308	Valve	1		303	7445060698	Fitting	1	
11	7114151650	Capscrew, 0.31"-18NC X 2.00"	4		304	7445060646	Elbow	1	
12	7660152601	Locknut, 0.31" - 18NC	4		901	7912000078	Tube Assembly	1	
13	7445060645	Fitting	6		902	7912000080	Tube Assembly	1	
14	7445060647	Fitting	2		902	7912000348	Tube Assembly	1	
15	7445060625	Fitting	2		903	7912000291	Tube Assembly	1	
16	7445040443	Adapter	2						
17	4819000008	Sleeve	1						
18	7819000005	Sleeve	0.5						
19	1001173683	Valve	1						
20	4495000011	Guard	1						
21	5526000553	Tie Strap	3						
22	7430000003	Filter Assembly	1						
23	7114140650	Capscrew, 0.25"-20NC X 0.75"	2						

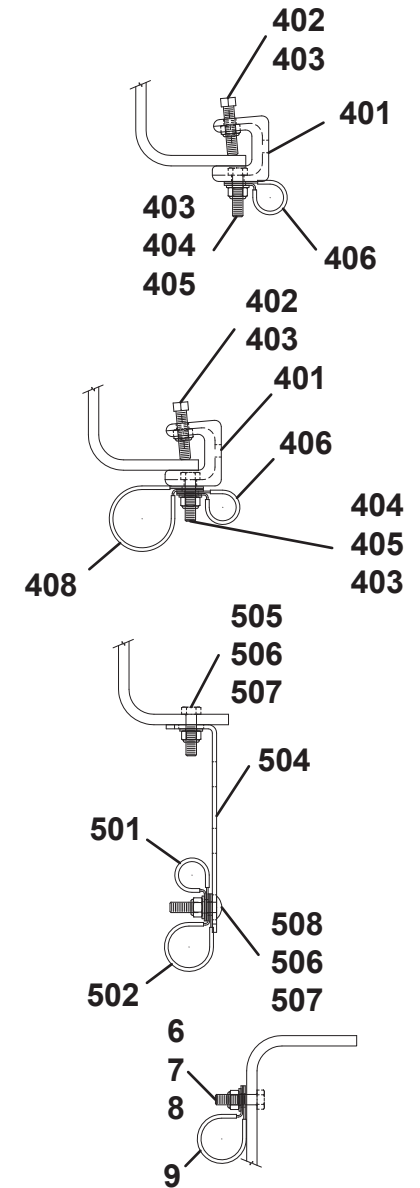
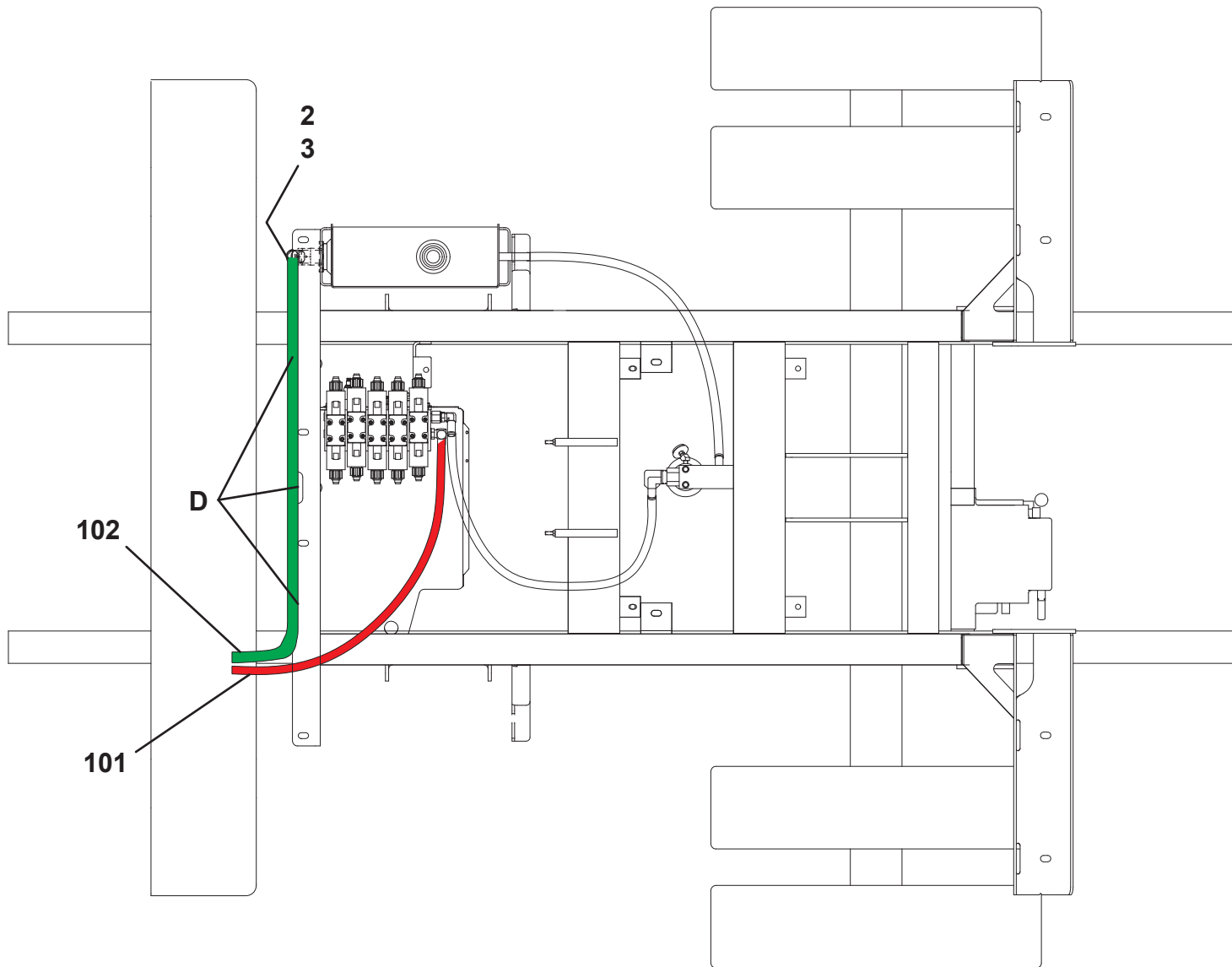
# HYDRAULIC LINES AND FITTINGS



**SPR HOSE INSTALLATION 137" WB GM G-CP**

ITEM	PART NO.	DESCRIPTION	QTY	REV
	1001132808	Spr Hose Installation 137" Wb GM G-CP	Ref	B
1	1001132833	Hose Kit	1	
2	7443000412	Elbow	1	
3	7274000002	Clamp	2	
4	1001132794	Clamp Kit	3	
5	1001132800	Clamp Kit	3	
6	7115150864	Bolt, 0.31"-18NC X 1.00"	3	
7	7274000040	Clamp	3	
8	7950150161	Flatwasher, 0.31" ID	3	
9	7660162601	Locknut, 0.31"-18NC	3	
10	7819000013	Sleeve	2	
	<b>1001132833</b>	<b>Hose Kit</b>	<b>Ref</b>	<b>0</b>
101	4567630151	Hose Assembly	1	
102	1001132633	Hose Assembly	1	

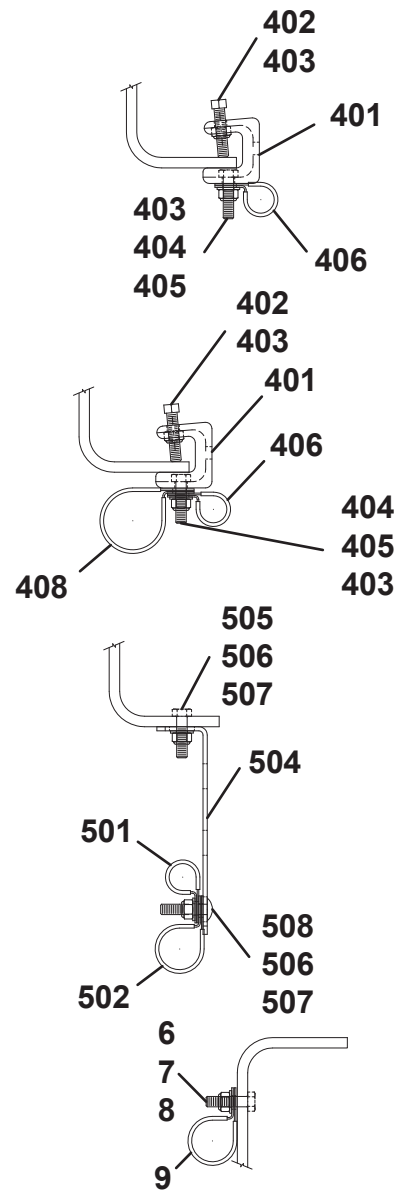
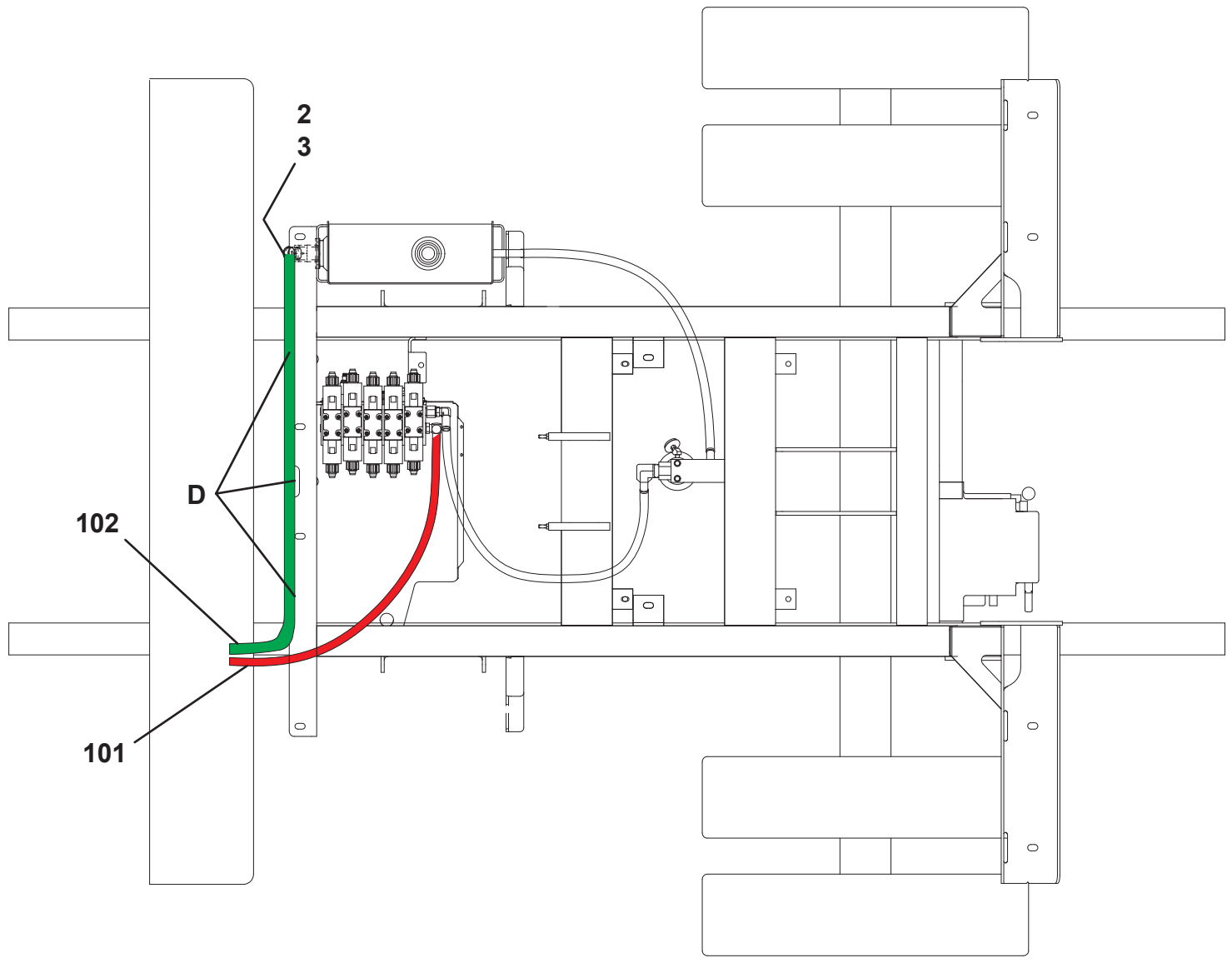
# SPR HOSE INSTALLATION 137" WB GM G-CP



**SPR HOSE INSTALLATION 144" WB, DG D-CP**

ITEM	PART NO.	DESCRIPTION	QTY	REV
	1001132809	Spr Hose Installation 144" Wb, DG D-CP	Ref	B
1	1001132834	Hose Kit	1	
2	7443000412	Elbow	1	
3	7274000002	Clamp	2	
4	1001132794	Clamp Kit	3	
5	1001132800	Clamp Kit	3	
6	7115150864	Bolt, 0.31"-18NC X 1.00"	3	
7	7274000040	Clamp	3	
8	7950150161	Flatwasher, 0.31" ID	3	
9	7660162601	Locknut, 0.31"-18NC	3	
10	7819000013	Sleeve	4	
	<b>1001132834</b>	<b>Hose kit</b>	Ref	O
101	4567630182	Hose Kit	1	
102	1001132846	Hose Kit	1	

# SPR HOSE INSTALLATION 144" WB, DG D-CP



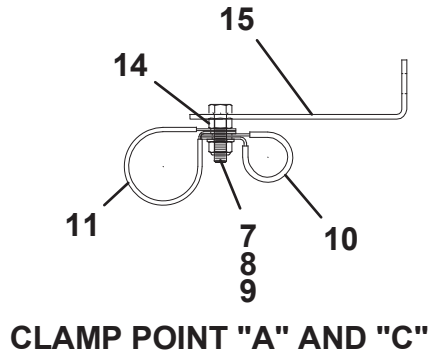
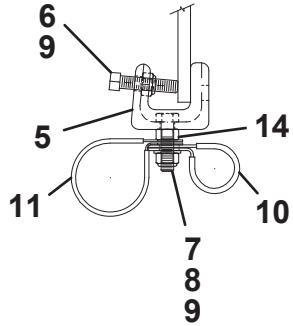
**SPR HOSE INSTALLATION 140" WB, 2011-2016 FORD V8 D-CP**

ITEM	PART NO.	DESCRIPTION	QTY	REV
	1001127001	Spr Hose Installation 140" Wb, 2011-2016 Ford V8 D-CP	Ref	B
1	4567630163	Hose Assembly	1	
2	4570000323	Hose	1	
3	7443000412	Elbow	1	
4	7274000002	Clamp	2	
5	7274000076	Clamp	2	
6	7785152420	Screw, 0.31"-18NC X 1.50"	2	
7	7115151050	Capscrew, 0.31"-18NC X 1.25"	5	
8	7950150161	Flatwasher, 0.31" ID	14	
9	7660152601	Locknut 0.31"-18NC	10	
10	7274000105	Clamp	5	
11	7274000042	Clamp	7	
12	7115150864	Bolt, 0.31"-18NC X 1.00"	2	
13	7819000013	Sleeve	4	
14	7660150000	Nut, 0.31"-18NC	5	
15	4706003844	Plate	3	

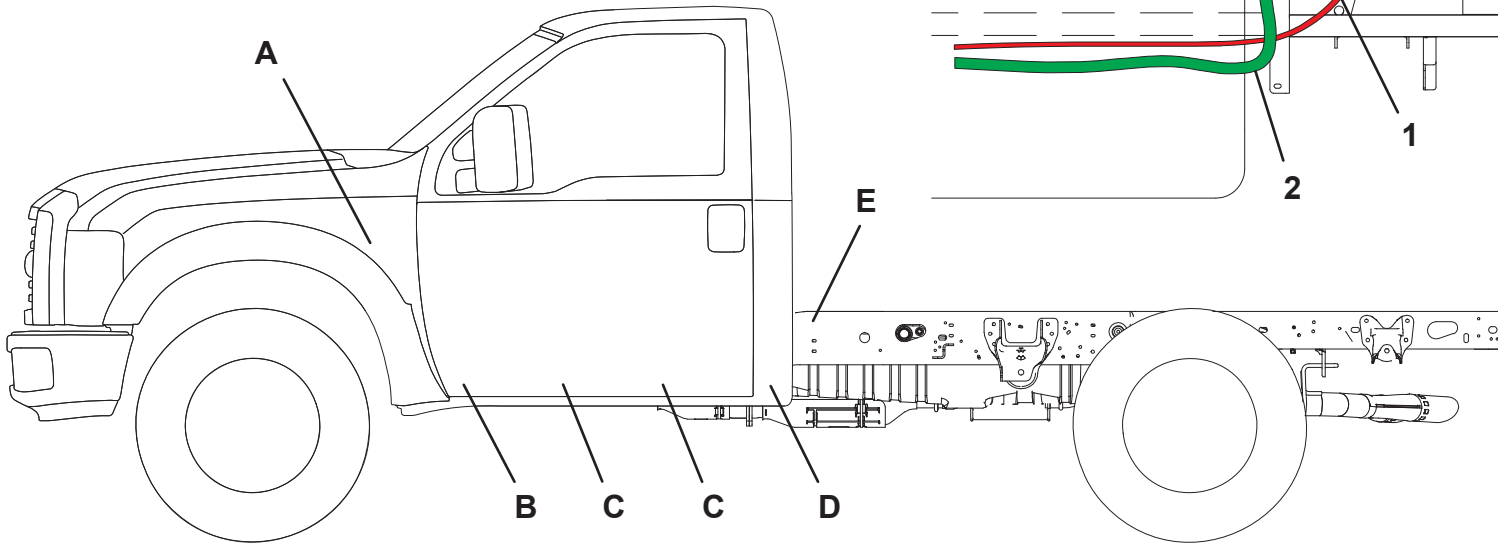
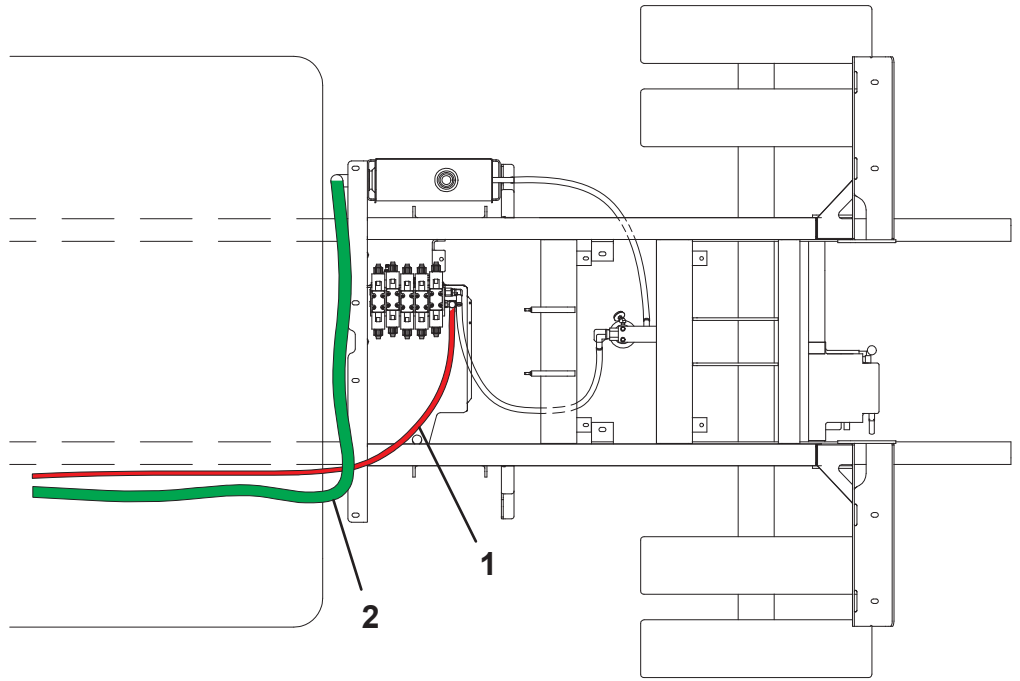


# SPR HOSE INSTALLATION 140" WB, 2011-2016 FORD V8 D-CP

## CLAMP POINT "B" AND "D"



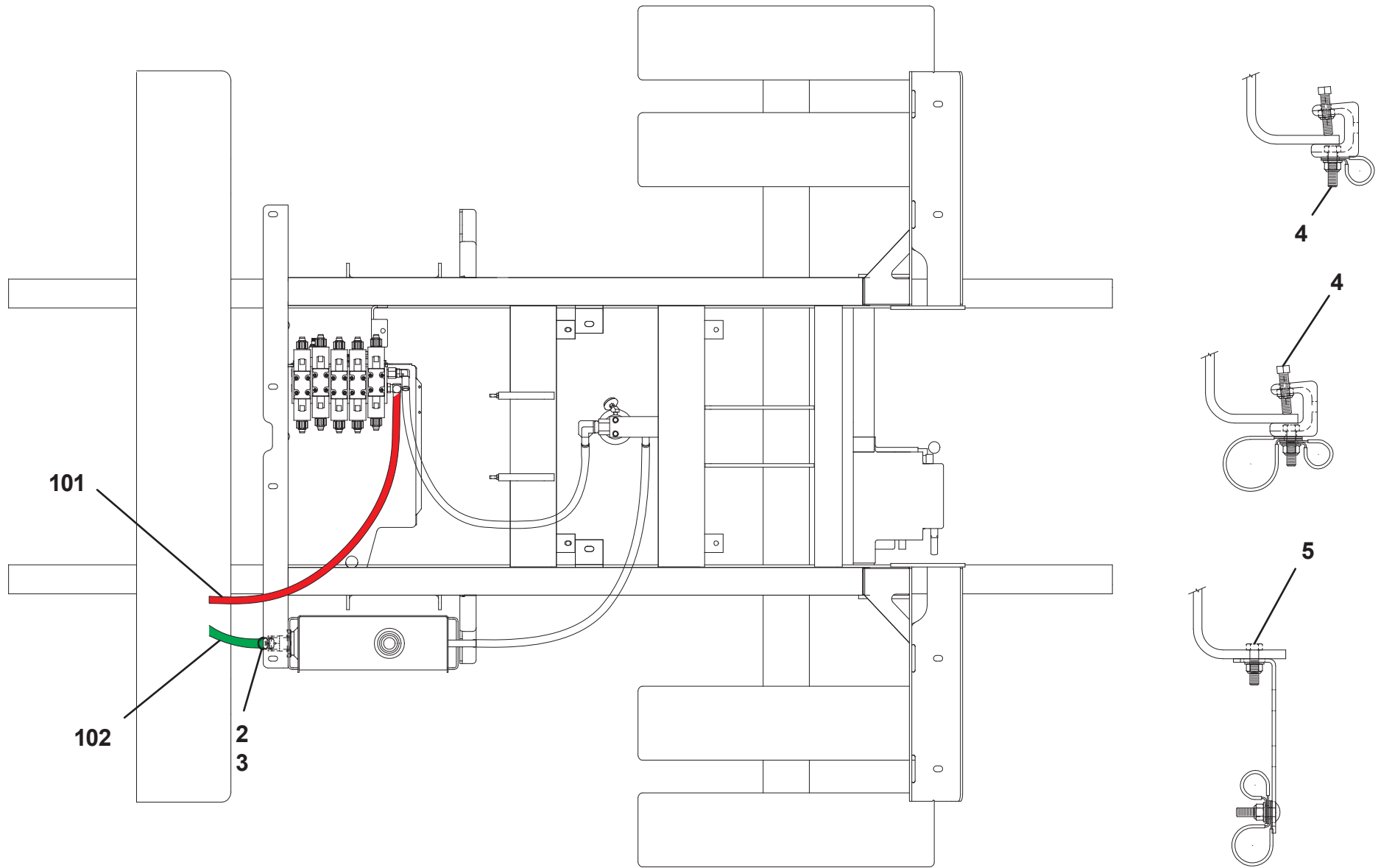
## CLAMP POINT "A" AND "C"



**SPR HOSE INSTALLATION 140" WB FORD D-PT**

ITEM	PART NO.	DESCRIPTION	QTY	REV
	1001132810	Spr Hose Installation 140" Wb, Ford D-PT	Ref	
1	1001132835	Hose Kit	1	
2	7443000013	Nipple	1	
3	7274000002	Clamp	2	
4	1001132794	Clamp Kit	3	
5	1001132800	Clamp Kit	3	

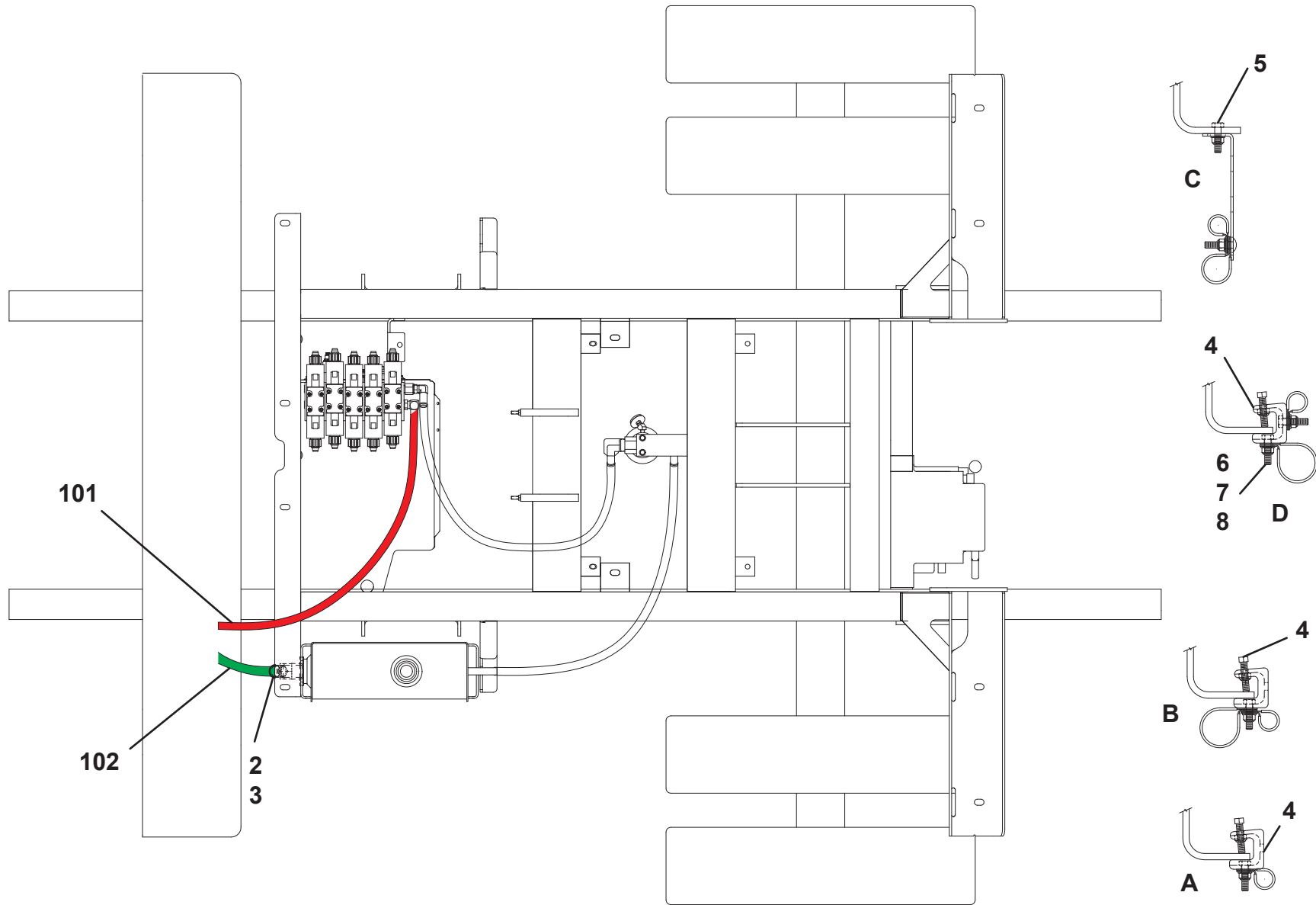
# SPR HOSE INSTALLATION 140" WB FORD D-PT



**SPR HOSE INSTALLATION 140" WB, 2011-2016 FORD D-CP**

ITEM	PART NO.	DESCRIPTION	QTY	REV
	1001132811	Spr Hose Installation 140" Wb, 2011-2016 Ford D-CP	Ref	B
1	1001132836	Hose Kit	1	
2	7443000013	Nipple	1	
3	7274000002	Clamp	2	
4	1001132794	Clamp Kit	4	
5	1001132800	Clamp Kit	4	
6	7115151050	Capscrew, 0.31"-18NC X 1.25"	1	
7	7950150161	Flatwasher, 0.31" ID	1	
8	7660152601	Locknut 0.31"-18NC	1	
9	7819000013	Sleeve	4	
	1001132836	<b>Hose Kit</b>	Ref	0
101	4567630177	Hose Assembly	1	
102	1001132635	Hose Assembly	1	

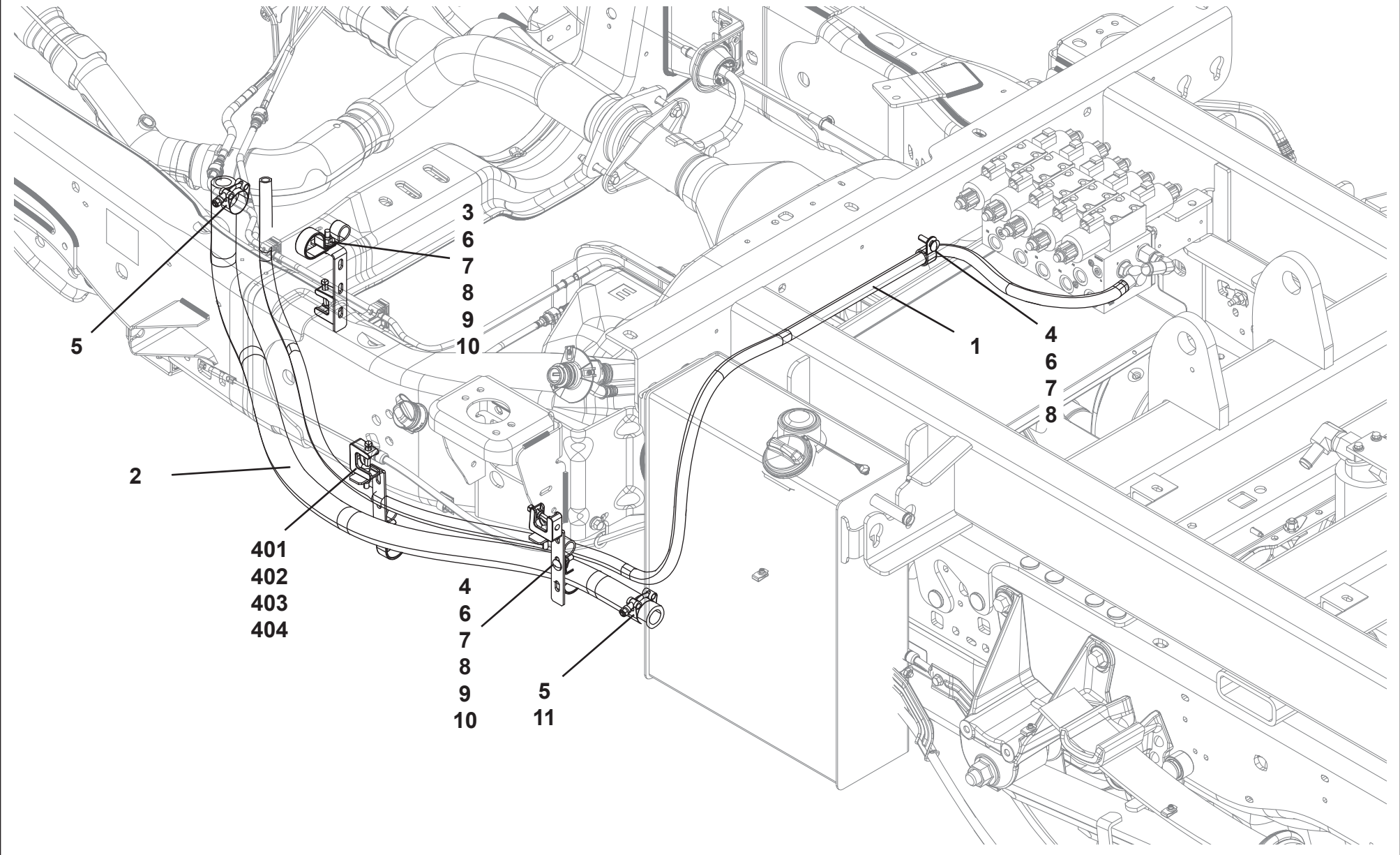
# SPR HOSE INSTALLATION 140" WB, 2011-2016 FORD D-CP



**SPR HOSE INSTALLATION 145" WB, 2017+ FORD PTO**

ITEM	PART NO.	DESCRIPTION	QTY	REV
	1001223730	Spr Hose Installation 145" Wb, 2017+ Ford PTO	Ref	A
1	1001136821	Hose Assembly	1	
2	4570000373	Hose	1	
3	7115151050	Capscrew, 0.31"-18NC X 1.25"	2	
4	7115151064	Bolt, 0.31"-18NC X 1.25"	4	
5	7274000002	Clamp	2	
6	7274000040	Clamp	3	
7	7660152601	Locknut 0.31"-18NC	6	
8	7950150161	Flatwasher, 0.31" ID	8	
9	4706003844	Plate	3	
10	7274000042	Clamp	1	
11	7443000013	Nipple	1	
	1001132794	Clamp Kit	Ref	B
401	7274000076	Clamp	1	
402	7785152420	Screw, 0.31"-18NC X 1.50"	1	
403	7660152601	Locknut 0.31"-18NC	2	
404	7115151050	Capscrew, 0.31"-18NC X 1.25"		
405	7950150161	Flatwasher, 0.31" ID		
406	7274000040	Clamp		
408	7274000042	Clamp		

# SPR HOSE INSTALLATION 145" WB, 2017+ FORD PTO

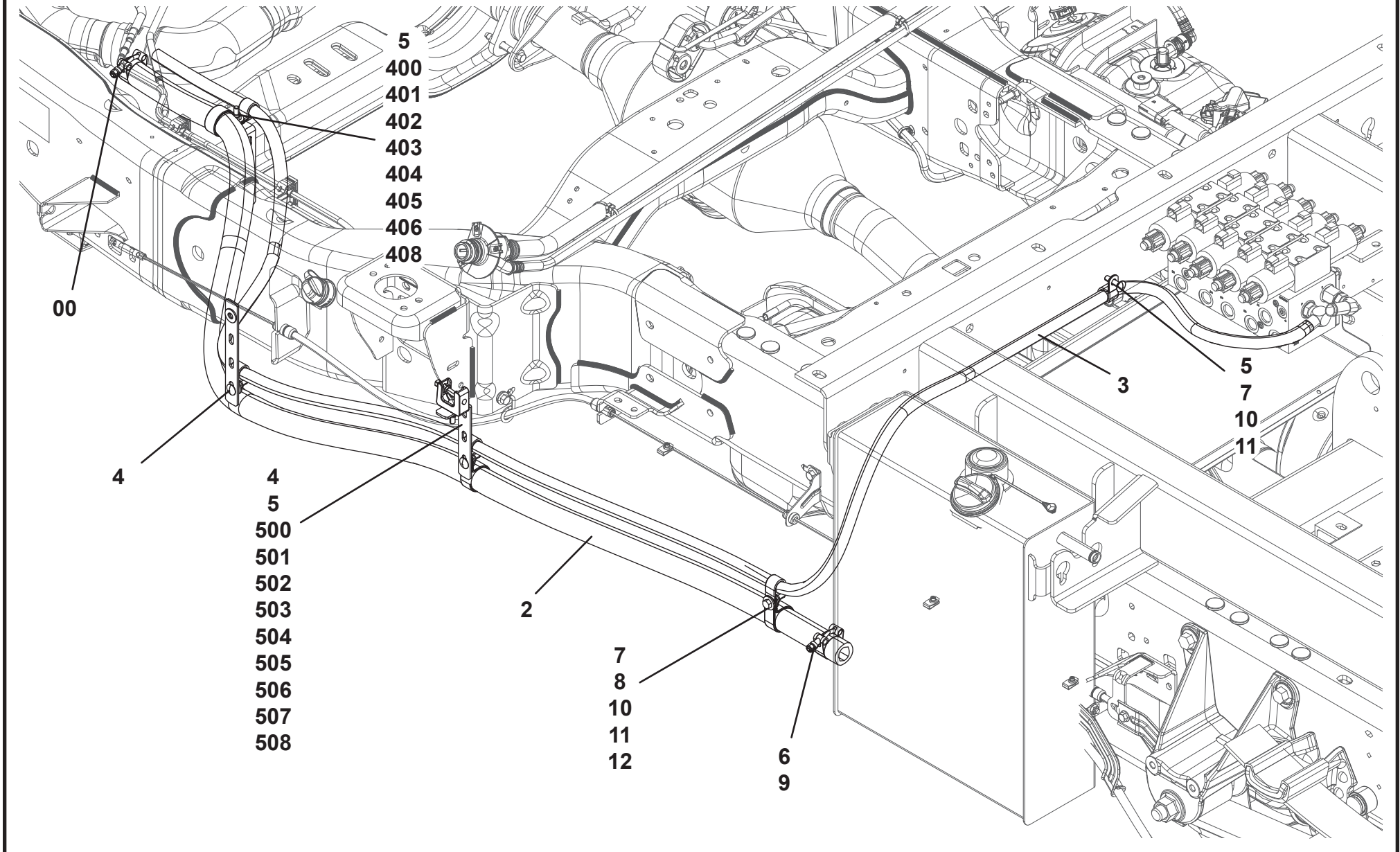


**SPR HOSE INSTALLATION 167-169" WB, 2017+ FORD PTO**

ITEM	PART NO.	DESCRIPTION	QTY	REV
	1001223731	Spr Hose Installation 167-169" Wb, 2017+ Ford PTO	Ref	A
1	3941506	Screw, 0.31" X 0.75"	1	
2	1001132605	Hose	1	
3	4567130135	Hose Assembly	1	
4	4706003844	Plate	2	
5	7115151064	Bolt, 0.31"-18NC X 1.25"	4	
6	7274000002	Clamp	2	
7	7274000040	Clamp	4	
8	7274000042	Clamp	2	
9	7443000013	Nipple	1	
10	7660152601	Locknut, 0.31"-18NC	7	
11	7950150161	Flatwasher, 0.31" ID	7	
12	7115151050	Capscrew, 0.31"-18NC X 1.25"	1	
	1001132794	Clamp Kit	Ref	B
401	7274000076	Clamp	1	
402	7785152420	Screw, 0.31"-18NC X 1.50"	1	
403	7660152601	Locknut 0.31"-18NC	2	
404	7115151050	Capscrew, 0.31"-18NC X 1.25"		
405	7950150161	Flatwasher, 0.31" ID		
406	7274000040	Clamp		
408	7274000042	Clamp		
	1001132800	Clamp Kit	Ref	B
501	7274000040	Clamp	1	
503	7274000042	Clamp	1	
504	4706003844	Plate	1	
505	7115151050	Capscrew, 0.31"-18NC X 1.25"	1	
506	7950150161	Flatwasher, 0.31" ID	3	
507	7660152601	Locknut, 0.31"-18NC	2	
508	7115151064	Bolt, 0.31"-18NC X 1.25"	1	



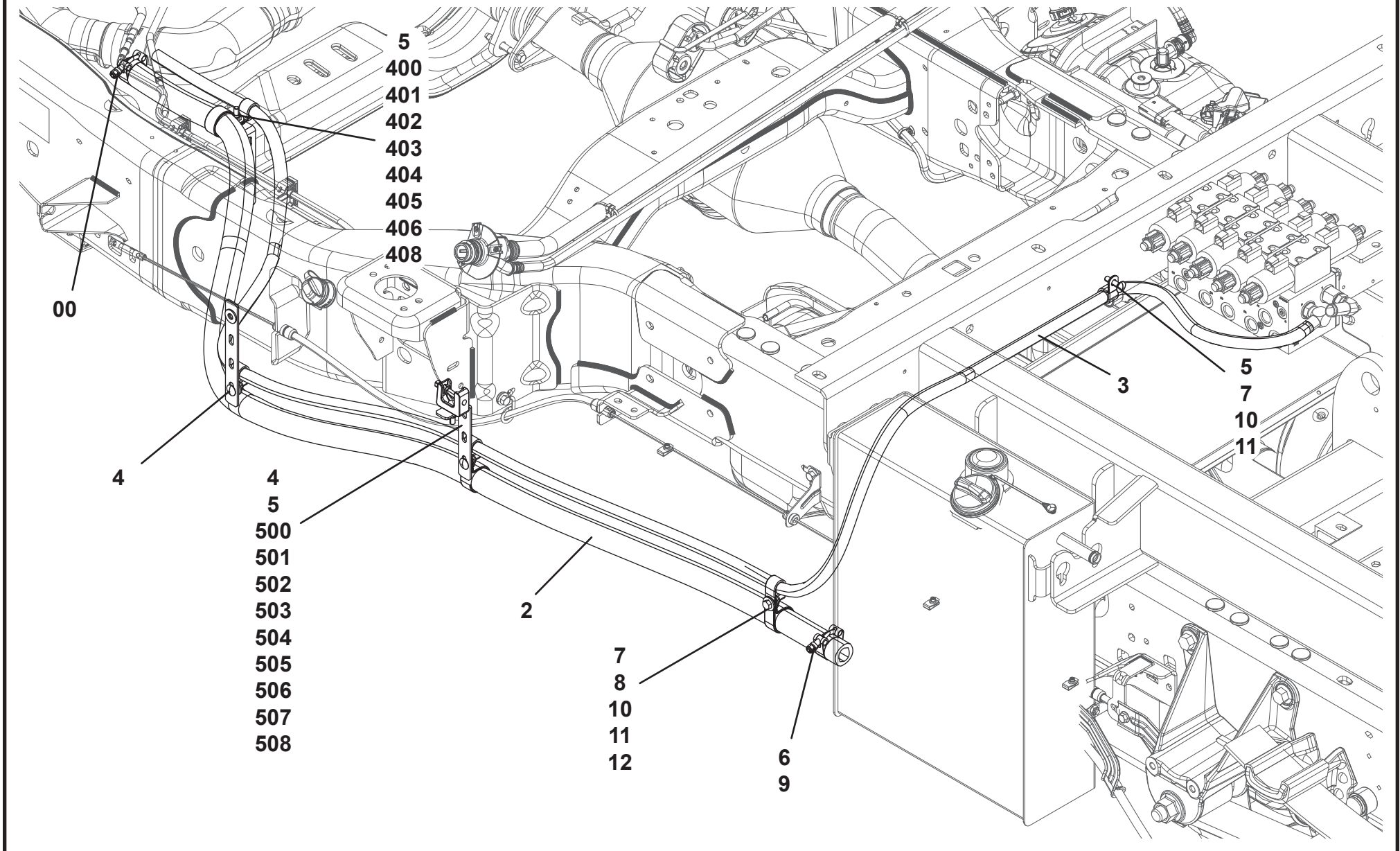
# SPR HOSE INSTALLATION 167-169" WB, 2017+ FORD PTO



**SPR HOSE INSTALLATION 179" WB, 2017+ FORD PTO**

ITEM	PART NO.	DESCRIPTION	QTY	REV
	1001223732	Spr Hose Installation 179" Wb, 2017+ Ford PTO	Ref	A
1	3941506	Screw, 0.31" X 0.75"	2	
2	1001132610	Hose	1	
3	4567130140	Hose Assembly	1	
4	4706003844	Plate	1	
5	7115151064	Bolt, 0.31"-18NC X 1.25"	3	
6	7274000002	Clamp	2	
7	7274000040	Clamp	4	
8	7274000042	Clamp	2	
9	7443000013	Nipple	1	
10	7660152601	Locknut, 0.31"-18NC	4	
11	7950150161	Flatwasher, 0.31" ID	6	
	1001132794	Clamp Kit	Ref	B
401	7274000076	Clamp	1	
402	7785152420	Screw, 0.31"-18NC X 1.50"	1	
403	7660152601	Locknut 0.31"-18NC	2	
404	7115151050	Capscrew, 0.31"-18NC X 1.25"		
405	7950150161	Flatwasher, 0.31" ID		
406	7274000040	Clamp		
408	7274000042	Clamp		
	1001132800	Clamp Kit	Ref	B
501	7274000040	Clamp	1	
503	7274000042	Clamp	1	
504	4706003844	Plate	1	
505	7115151050	Capscrew, 0.31"-18NC X 1.25"	1	
506	7950150161	Flatwasher, 0.31" ID	3	
507	7660152601	Locknut, 0.31"-18NC	2	
508	7115151064	Bolt, 0.31"-18NC X 1.25"	1	

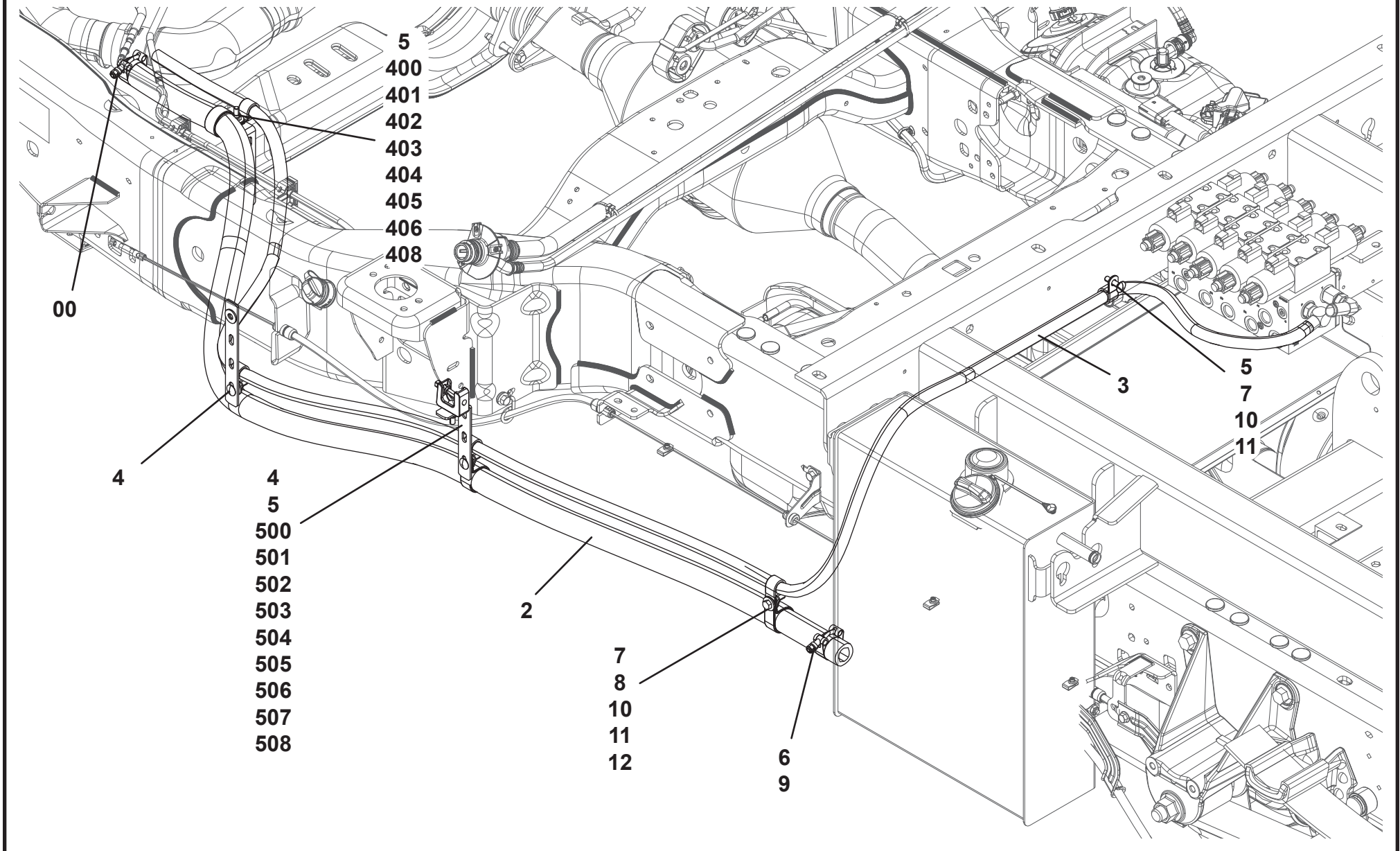
# SPR HOSE INSTALLATION 179" WB, 2017+ FORD PTO



**SPR HOSE INSTALLATION 192" WB, 2017+ FORD PTO**

ITEM	PART NO.	DESCRIPTION	QTY	REV
	1001223733	Spr Hose Installation 192" Wb, 2017+ Ford PTO	Ref	A
1	3941506	Screw, 0.31" X 0.75"	2	
2	1001132614	Hose	1	
3	4567130155	Hose Assembly	1	
4	4706003844	Plate	2	
5	7115151064	Bolt, 0.31"-18NC X 1.25"	4	
6	7274000002	Clamp	2	
7	7274000040	Clamp	4	
8	7274000042	Clamp	2	
9	7443000013	Nipple	1	
10	7660152601	Locknut, 0.31"-18NC	4	
11	7950150161	Flatwasher, 0.31" ID	6	
	1001132794	Clamp Kit	Ref	B
401	7274000076	Clamp	1	
402	7785152420	Screw, 0.31"-18NC X 1.50"	1	
403	7660152601	Locknut 0.31"-18NC	2	
404	7115151050	Capscrew, 0.31"-18NC X 1.25"		
405	7950150161	Flatwasher, 0.31" ID		
406	7274000040	Clamp		
408	7274000042	Clamp		
	1001132800	Clamp Kit	Ref	B
501	7274000040	Clamp	1	
503	7274000042	Clamp	1	
504	4706003844	Plate	1	
505	7115151050	Capscrew, 0.31"-18NC X 1.25"	1	
506	7950150161	Flatwasher, 0.31" ID	3	
507	7660152601	Locknut, 0.31"-18NC	2	
508	7115151064	Bolt, 0.31"-18NC X 1.25"	1	

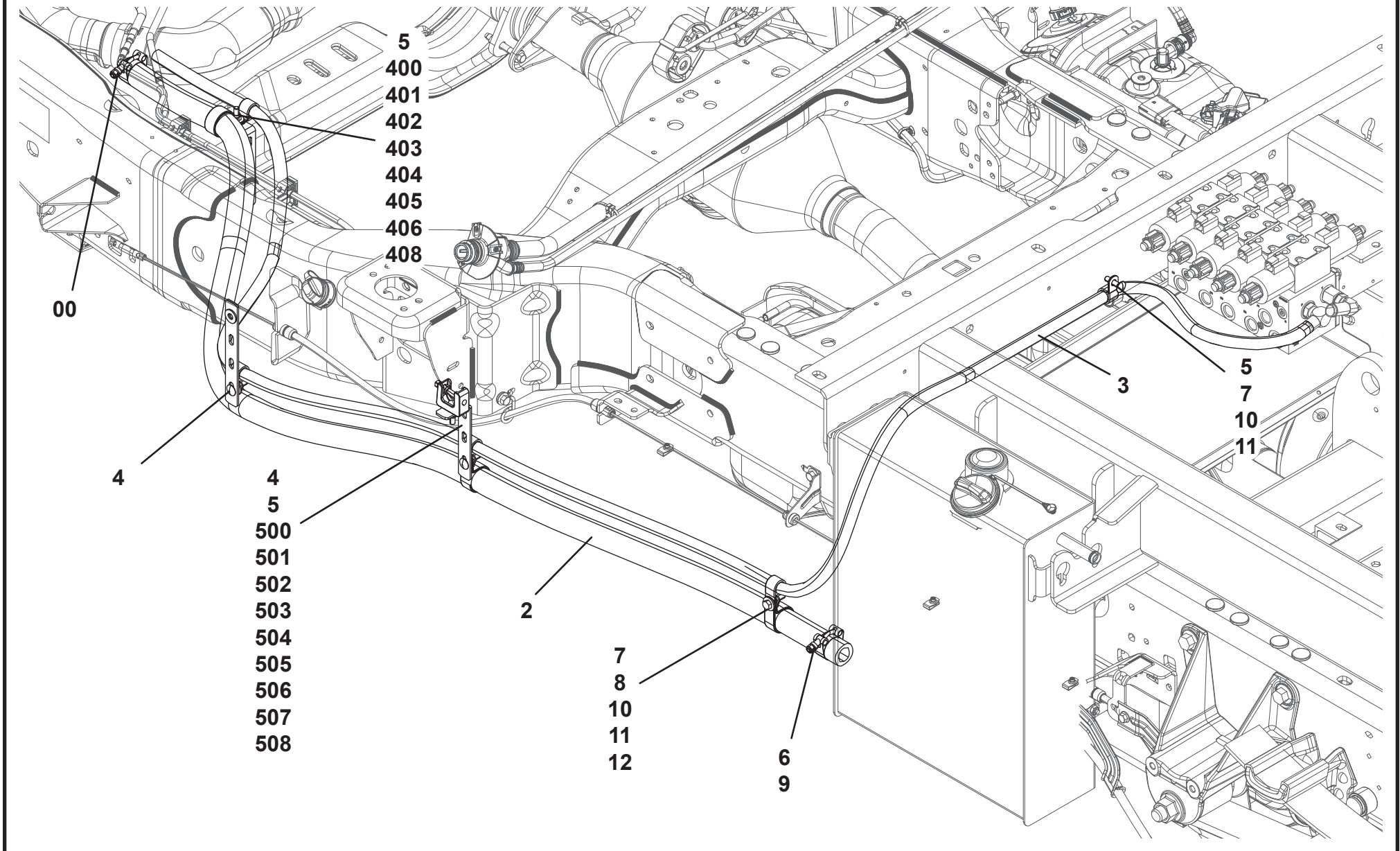
# SPR HOSE INSTALLATION 192" WB, 2017+ FORD PTO



**SPR HOSE INSTALLATION 203" WB, 2017+ FORD PTO**

ITEM	PART NO.	DESCRIPTION	QTY	REV
	1001223734	Spr Hose Installation 203" Wb, 2017+ Ford PTO	Ref	A
1	3941506	Screw, 0.31" X 0.75"	2	
2	1001132618	Hose	1	
3	4567130165	Hose Assembly	1	
4	4706003844	Plate	2	
5	7115151064	Bolt, 0.31"-18NC X 1.25"	4	
6	7274000002	Clamp	2	
7	7274000040	Clamp	4	
8	7274000042	Clamp	2	
9	7443000013	Nipple	1	
10	7660152601	Locknut, 0.31"-18NC	4	
11	7950150161	Flatwasher, 0.31" ID	6	
	1001132794	Clamp Kit	Ref	B
401	7274000076	Clamp	1	
402	7785152420	Screw, 0.31"-18NC X 1.50"	1	
403	7660152601	Locknut 0.31"-18NC	2	
404	7115151050	Capscrew, 0.31"-18NC X 1.25"		
405	7950150161	Flatwasher, 0.31" ID		
406	7274000040	Clamp		
408	7274000042	Clamp		
	1001132800	Clamp Kit	Ref	B
501	7274000040	Clamp	1	
503	7274000042	Clamp	1	
504	4706003844	Plate	1	
505	7115151050	Capscrew, 0.31"-18NC X 1.25"	1	
506	7950150161	Flatwasher, 0.31" ID	3	
507	7660152601	Locknut, 0.31"-18NC	2	
508	7115151064	Bolt, 0.31"-18NC X 1.25"	1	

# SPR HOSE INSTALLATION 203" WB, 2017+ FORD PTO



**THIS PAGE INTENTIONALLY LEFT BLANK**

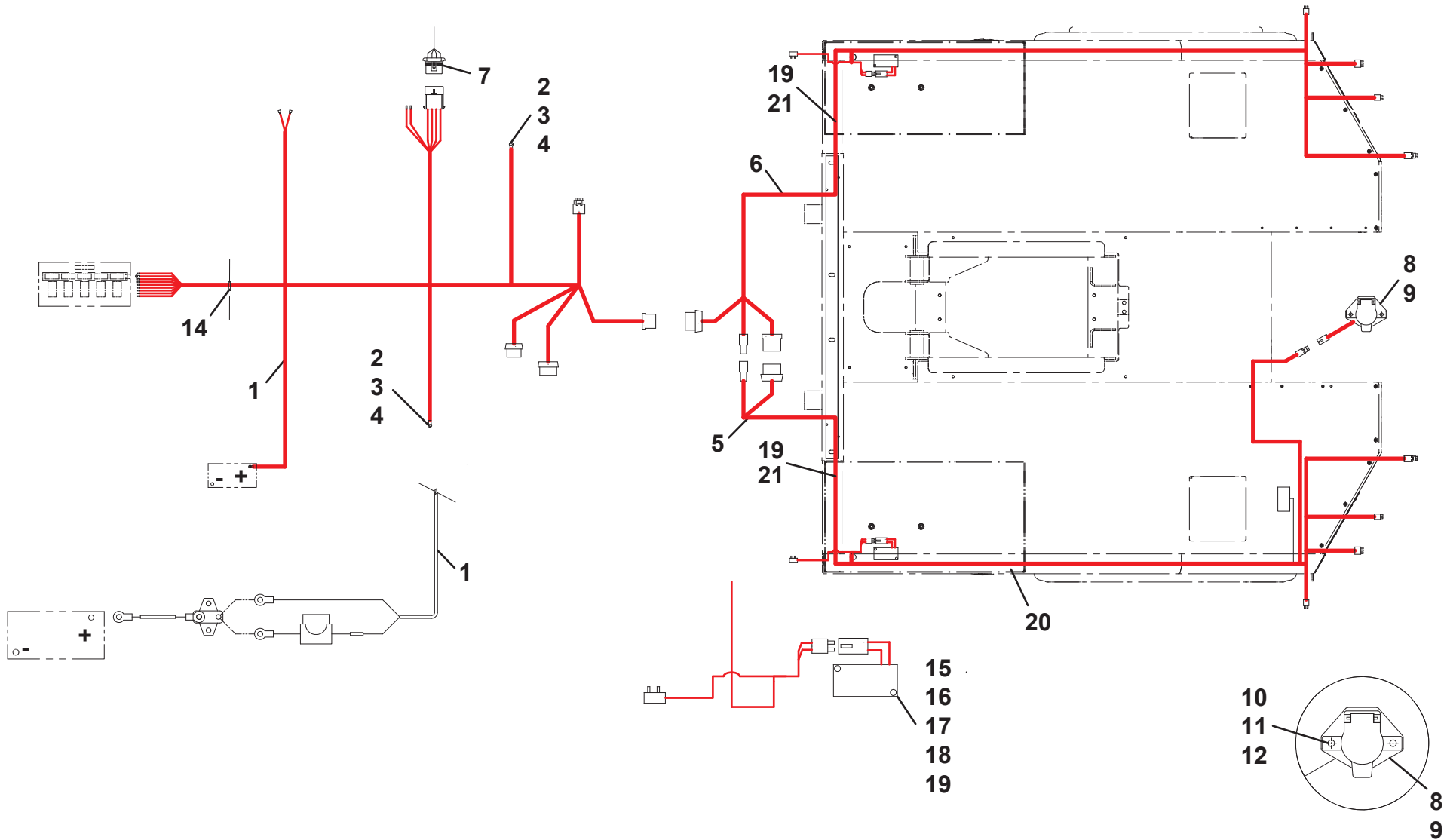


## SECTION 6 - ELECTRICAL

**MPL-40 BODY WIRING INSTALLATION**

ITEM	PART NO.	DESCRIPTION	QTY
1	7552000292	Harness	1
2	0641410	Capscrew, 0.25"-20NC X 1.25"	2
3	7660142600	Locknut, 0.25"-20NC	2
4	4711400	Washer, 0.25" ID	2
5	1001190945	Harness, LH	1
6	1001190946	Harness, RH	1
7	7577000194	Connectors Kit	1
8	7291000010	Connector	1
9	7796000048	Gasket	1
10	7111140613	Screw, 0.25"-20NC X 0.75"	2
11	4761400	Washer, 0.25" ID	2
12	7413000002	Nutsert, 0.25"-20NC	2
13	7894000042	Tie Strap	29
14	7493000003	Grommet	1
15	7590000273	Light	2
16	7120000081	Screw, #10-32 X 0.88"	4
17	7661000007	Nut, #10-32	4
18	7831000040	Spacer	4
19	8798820001	Sealant	A/R
20	7413000013	Fastener	2
21	4420002	Tape	A/R

# MPL-40 BODY WIRING INSTALLATION



**LIGHTS, BODY, LED, STOP TURN TAIL & MARKERS - 12V**

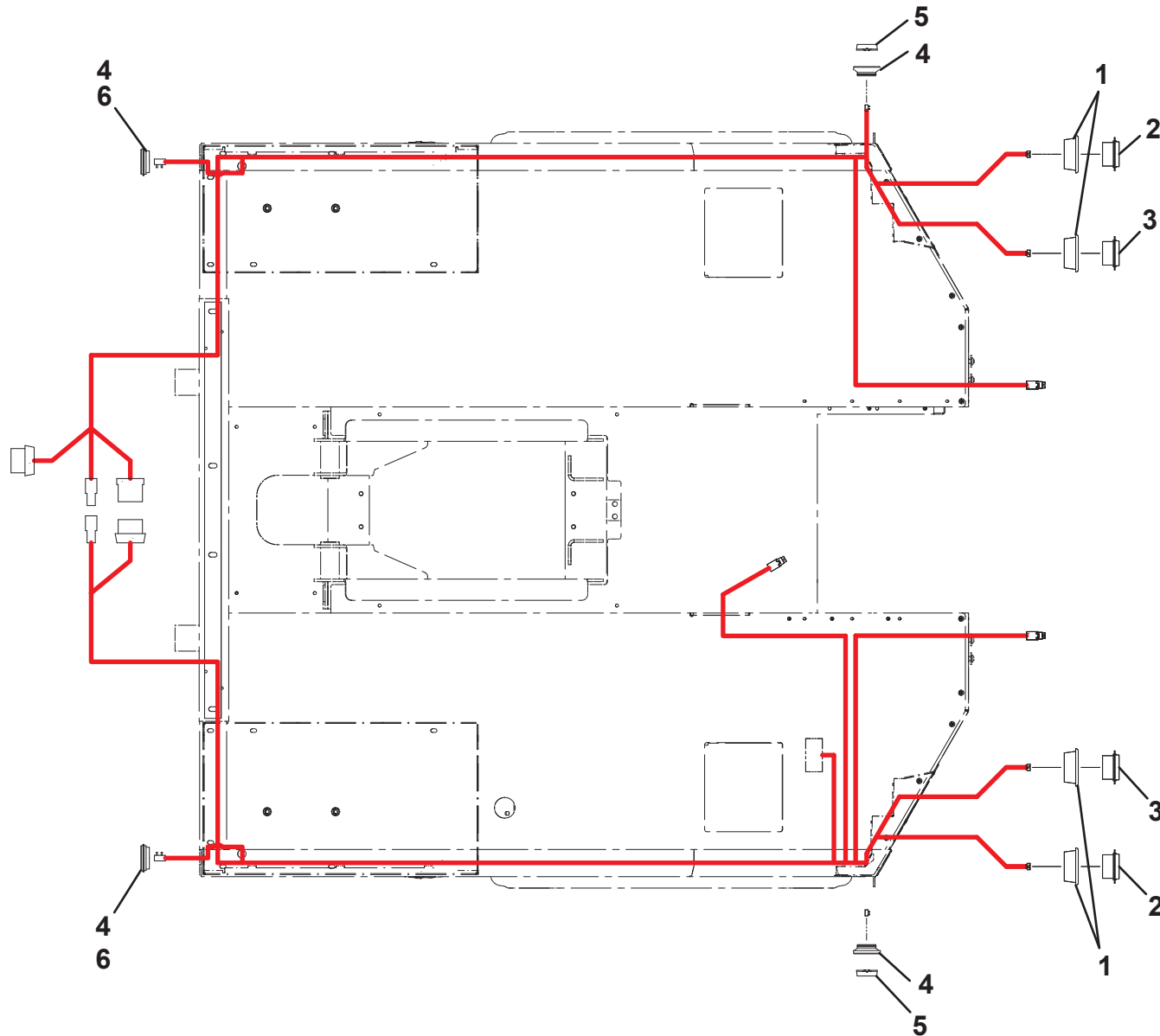
ITEM	PART NO.	DESCRIPTION	QTY
1	1001208291	Install,Taillight Mpl-40/Ng	1
2	2577000033	Kit Inst Resistor Mpl-Ngs Led	1
<b>RESISTOR KIT</b>			
2	7759000006	Pop Rivet 0.13"Dia X 0.50" Grip	4

**LIGHTS, BODY, LED, STOP TURN TAIL & MARKERS - 12V**

**LIGHTS, BODY, LED, STOP TURN TAIL & MARKERS - 12V**

ITEM	PART NO.	DESCRIPTION	QTY
1	7493000029	Grommet	4
2	7590000379	Light	2
3	7590000381	Light	2
4	7493000009	Grommet	4
5	7590000343	Light, Red	2
6	7590000342	Light, Amber	2

# LIGHTS, BODY, LED, STOP TURN TAIL & MARKERS - 12V

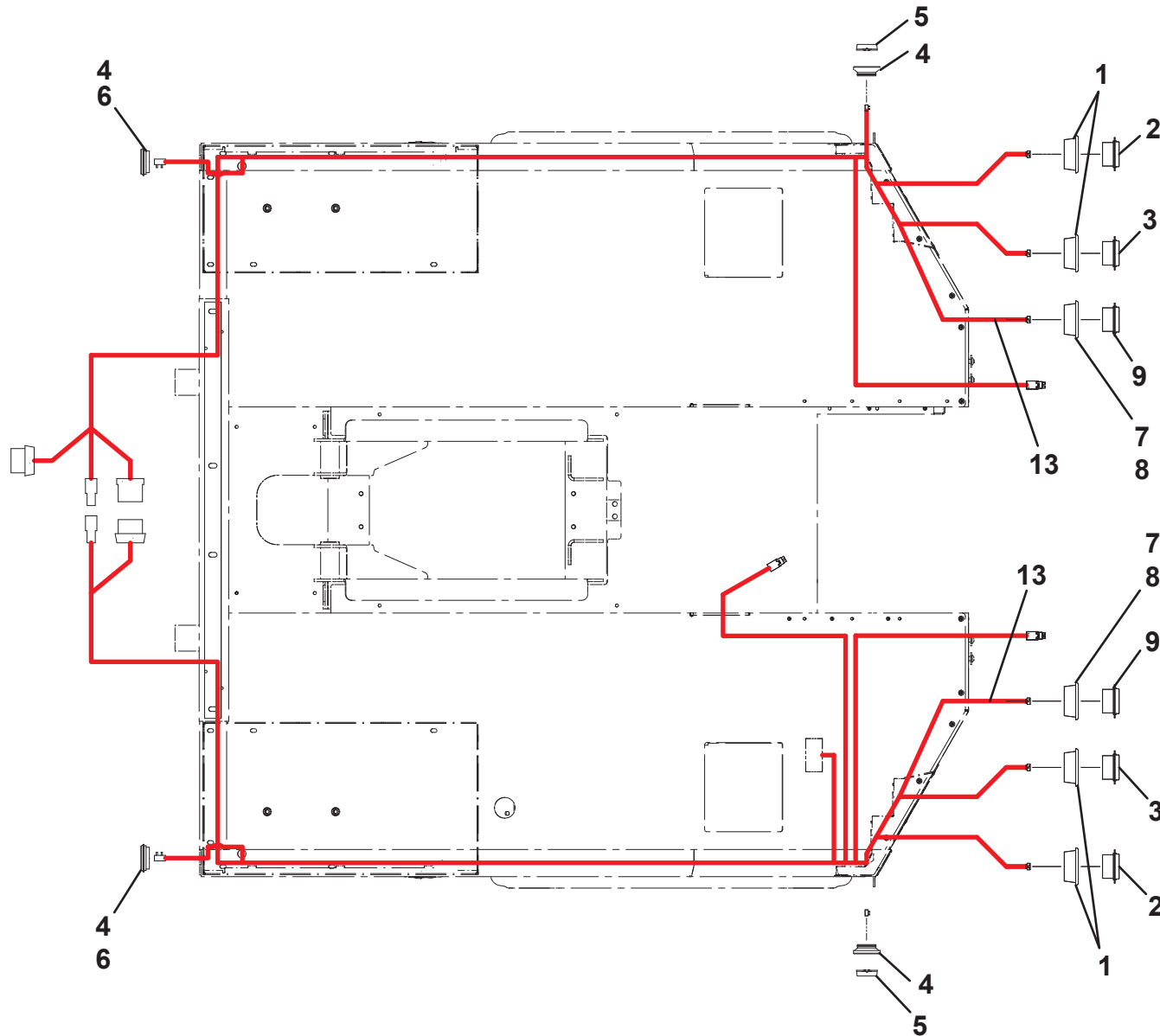


**TAIL LIGHT INSTALLATION**

ITEM	PART NO.	DESCRIPTION	QTY
1	7493000029	Grommet Trucklite #45700 45 Se	4
2	1001208290	Lamp Amber	2
3	7590000381	Light S/T/T Led Trucklight #45	2
4	7493000009	Light, Grommet Black	4
5	7590000343	Light 2.50" Dia Red Rflx 4-LED	2
6	7590000342	Light 2.50" Dia Amber Rflx 4-LED	2
7	7178000045	Bracket	2
8	7493000026	Grommet	2
9	1001174680	Lamp	2
10	0641610	Capscrew, 0.38" x 16NC x 1.25"	2
11	4751600	Washer, 0.38" ID	4
12	3300492	Nut, 0.38" - 16NC	2
13	1001206078	Harness	2
14	7345001714	Terminal	14
15	7346000039	Tubing	.38ft
16	1001159336	Converter	1
17	1001100949	Diode	1
18	5526000553	Tie Strap	4



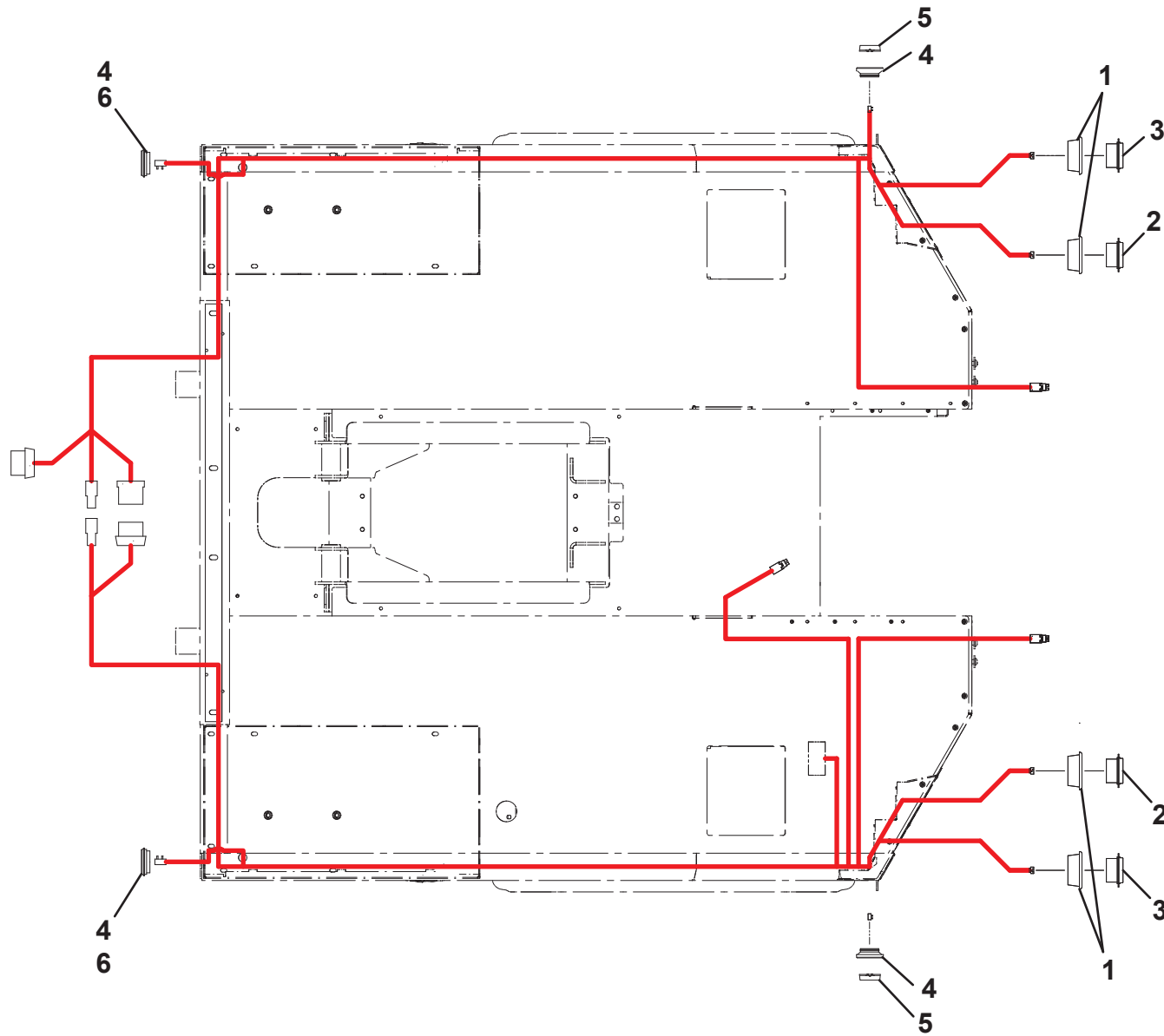
# TAIL LIGHT INSTALLATION



**TAIL LIGHT INSTALLATION MPL40/MPL-NG**

ITEM	PART NO.	DESCRIPTION	QTY
1	7493000029	Grommet Trucklite #45700 45 Se	4
2	7590000379	Light Backup 45 Sreies Truck-L	2
3	7590000381	Light S/T/T Led Trucklight #45	2
4	7493000009	Light, Grommet Black	4
5	7590000343	Light 2.50" Dia Red Rflx 4-LED	2
6	7590000342	Light 2.50" Dia Amber Rflx 4-LED	2

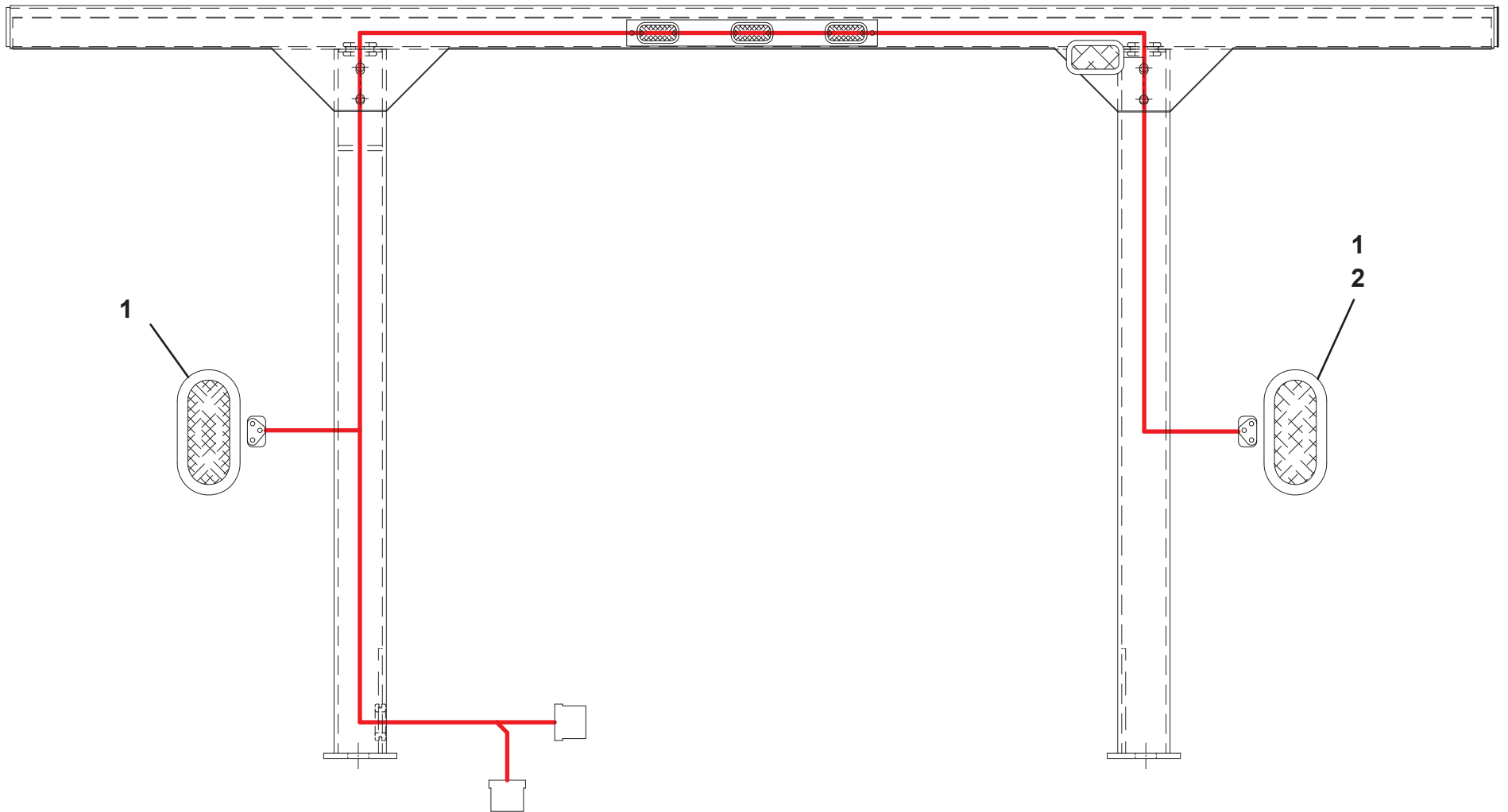
# TAIL LIGHT INSTALLATION MPL40/MPL-NG



**LIGHTS, PYLON, LED, MARKER, 12V 1PR**

ITEM	PART NO.	DESCRIPTION	QTY
1	1001174682	Lamp, Amber	2
2	7493000026	Grommet	2
3	7894000010	Tie Strap	2

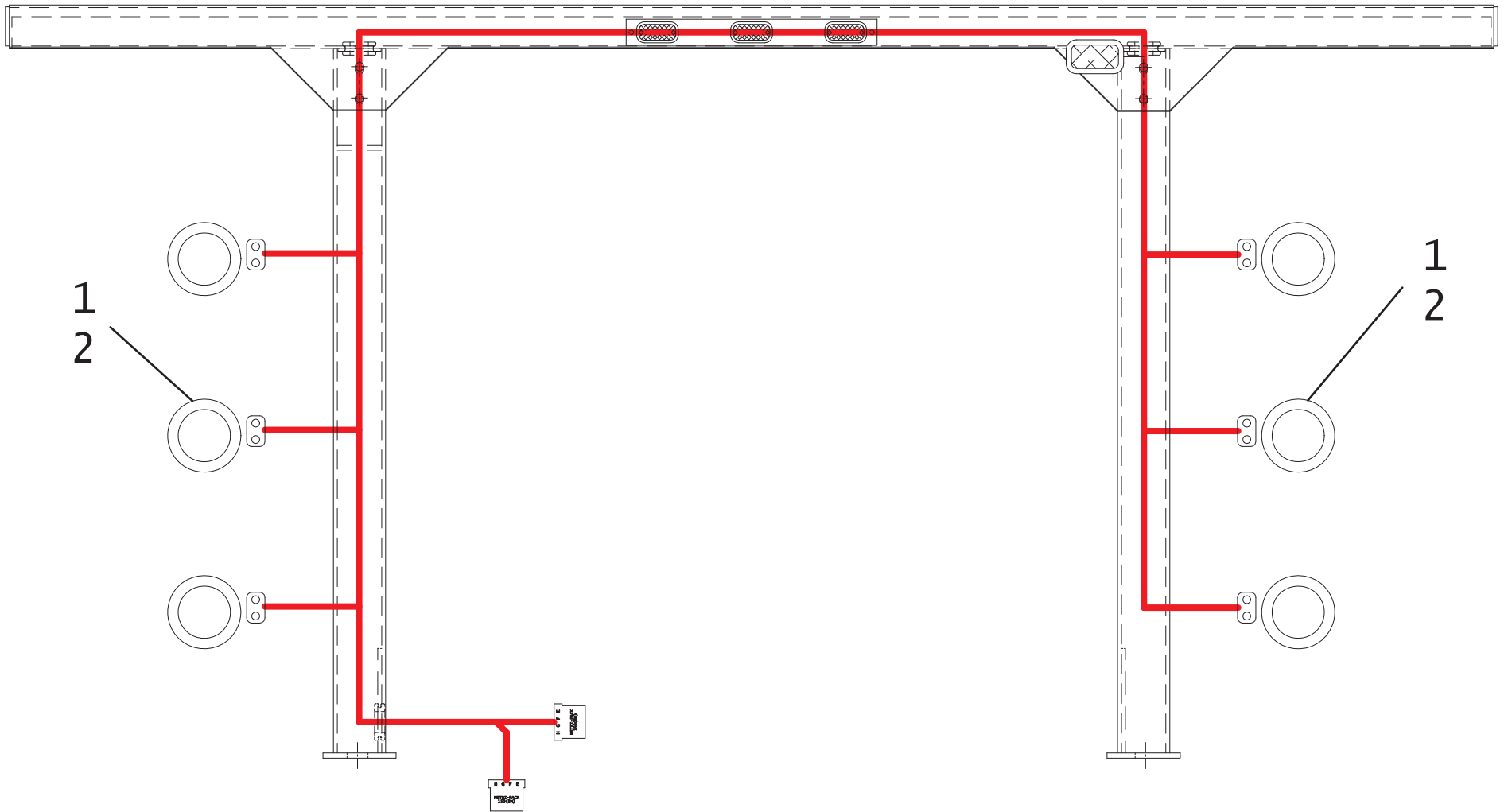
# LIGHTS, PYLON, LED, MARKER, 12V 1PR



**LIGHTS, PYLON, LED, MARKER, 12V 3PR**

ITEM	PART NO.	DESCRIPTION	QTY
1	7590000342	Light Amber	6
2	7493000009	Grommet	6
3	7894000010	Tie Strap	6

# LIGHTS, PYLON, LED, MARKER, 12V 3PR

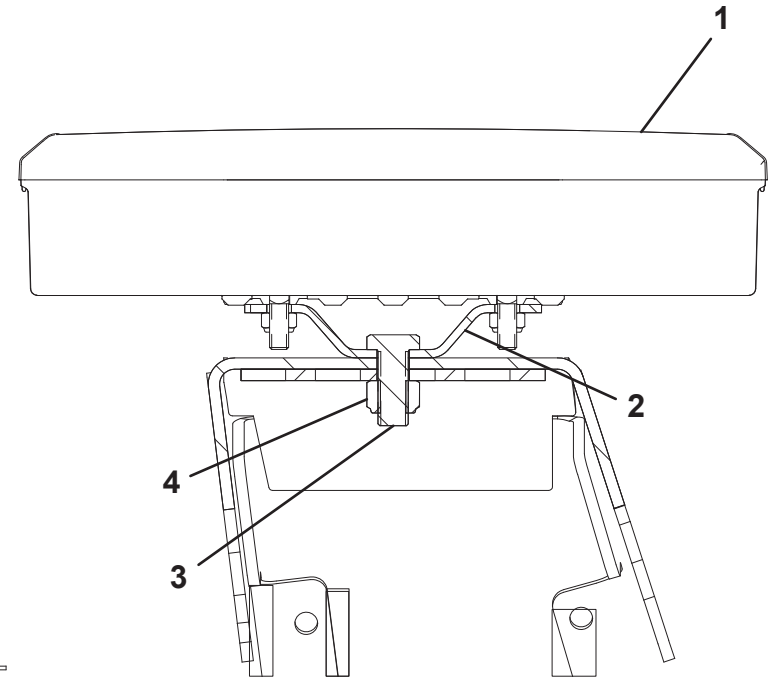
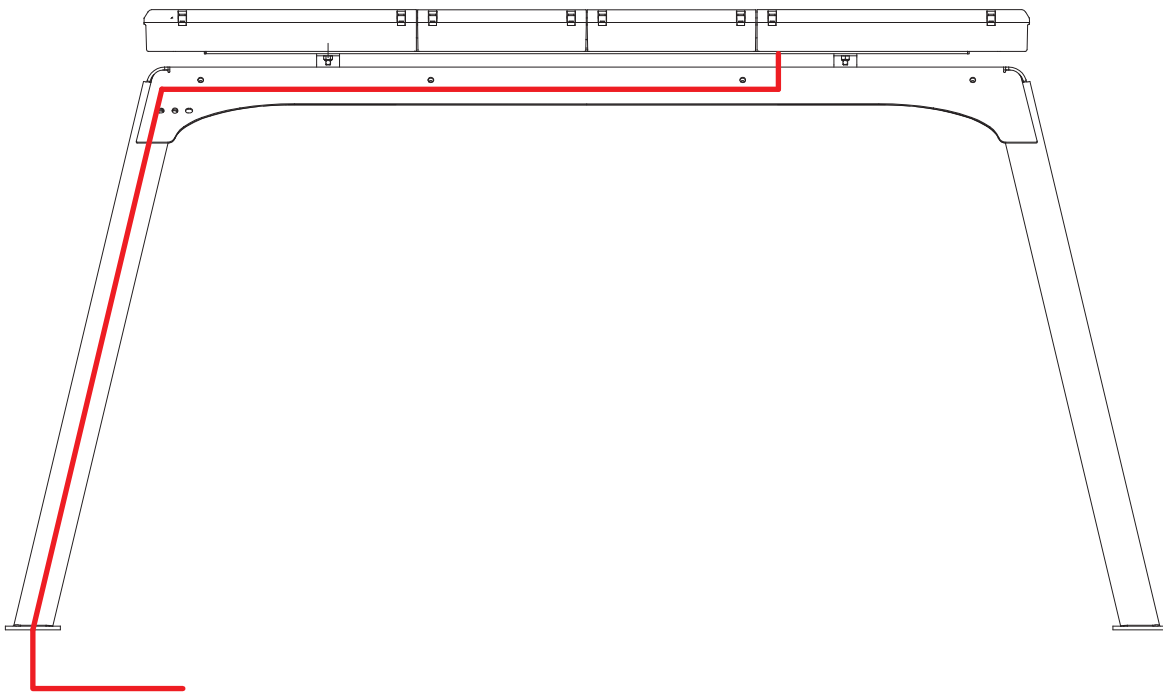


**LIGHTBAR, AMBER, CODE3, 58", 10 LIGHT HEAD, 12V**

ITEM	PART NO.	DESCRIPTION	QTY
1	1001136990	Lamp	1
2	4178000402	Bracket	2
3	7115181050	Capscrew, 0.50"-13NC x 1.25"	2
4	7660182601	Locknut, 0.50"-13NC	2



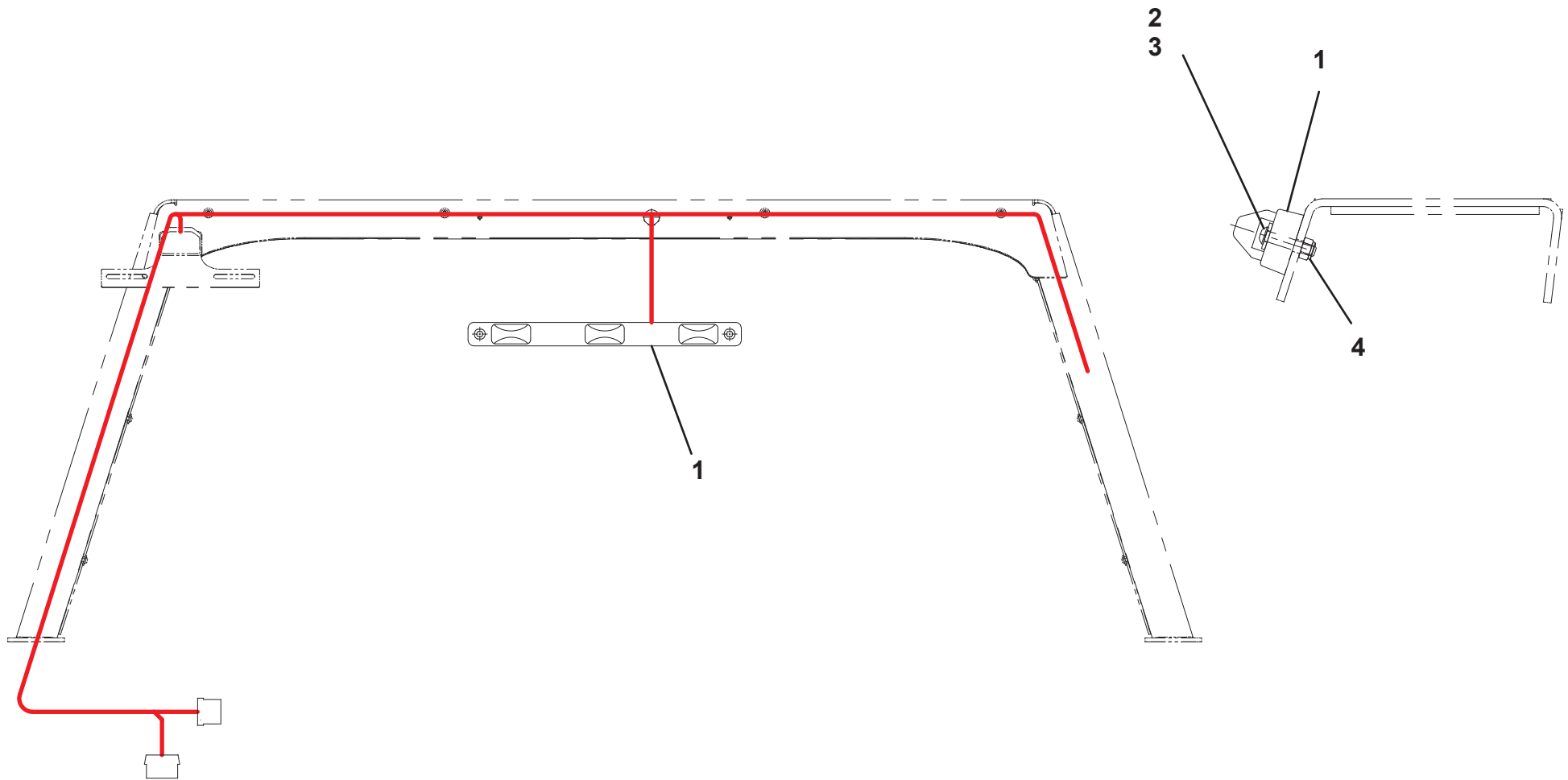
**LIGHTBAR, AMBER, CODE3, 58", 10 LIGHT HEAD, 12V**



**LIGHT, D.O.T. ID BAR, NO LIGHTBAR 12V**

ITEM	PART NO.	DESCRIPTION	QTY
1	7590000342	Light Amber	6
2	7493000009	Grommet	6
3	7894000010	Tie Strap	6

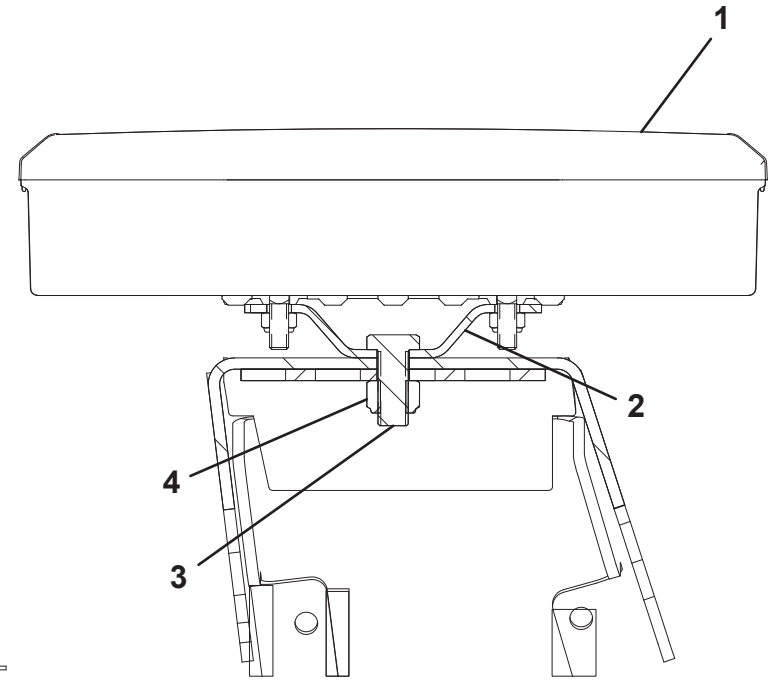
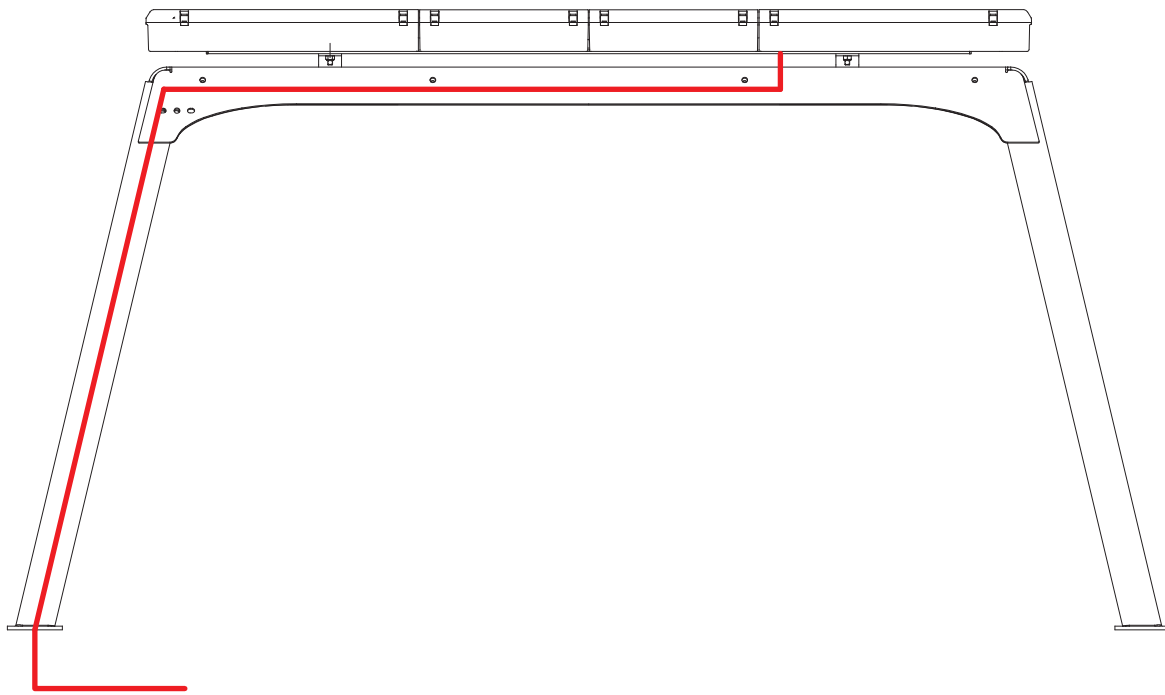
LIGHT, D.O.T. ID BAR, NO LIGHTBAR 12V



**LIGHTBAR, AMBER, WHELEN, 60", 12V**

ITEM	PART NO.	DESCRIPTION	QTY
1	1001199475	Lamp	1
2	4178000402	Bracket	2
3	7115181050	Capscrew, 0.50"-13NC x 1.25"	2
4	7660182601	Locknut, 0.50"-13NC	2

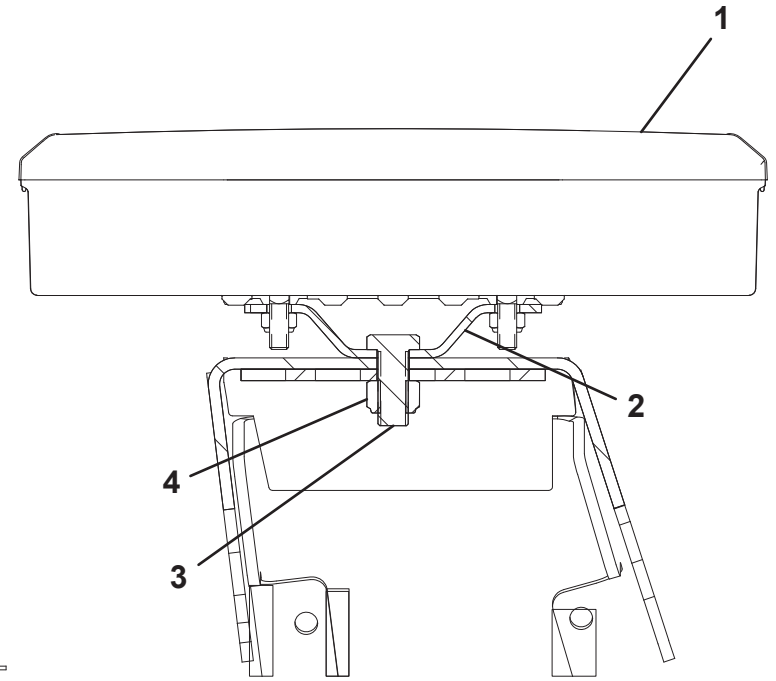
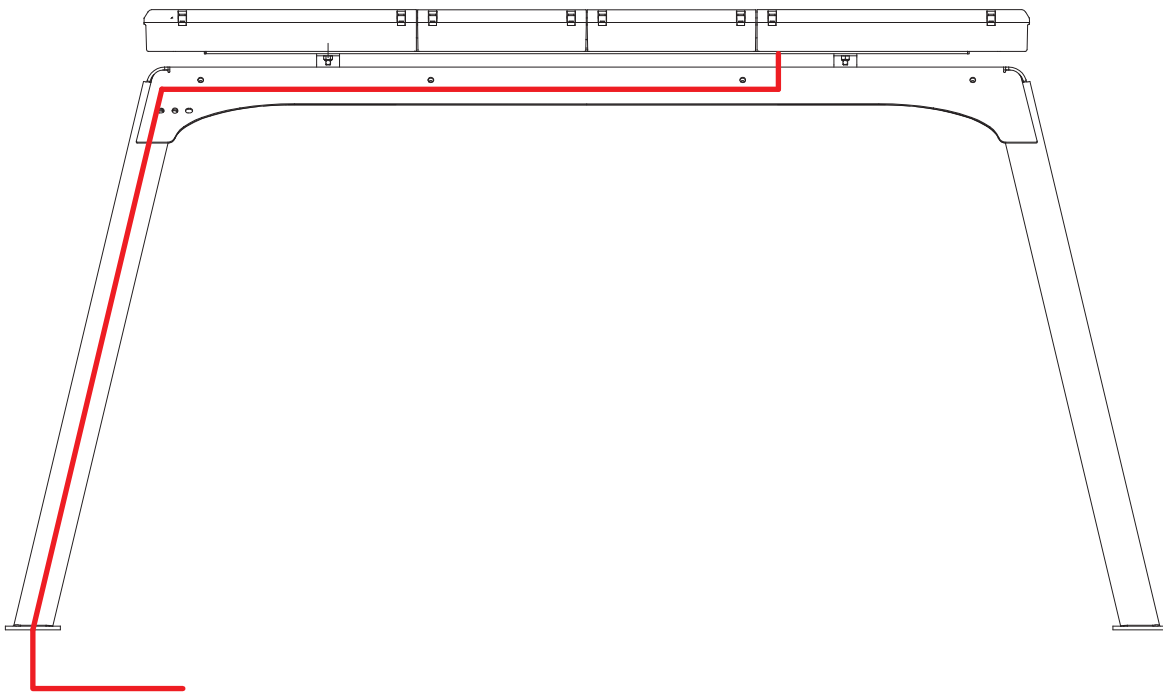
# LIGHTBAR, AMBER, WHELEN, 60", 12V



**LIGHTBAR, AMBER, CODE3, 58", 10 LIGHT HEAD, 12V**

ITEM	PART NO.	DESCRIPTION	QTY
1	1001155872	Lamp	1
2	4178000402	Bracket	2
3	7115181050	Capscrew, 0.50"-13NC x 1.25"	2
4	7660182601	Locknut, 0.50"-13NC	2

# LIGHTBAR, AMBER, CODE3, 58", 10 LIGHT HEAD, 12V

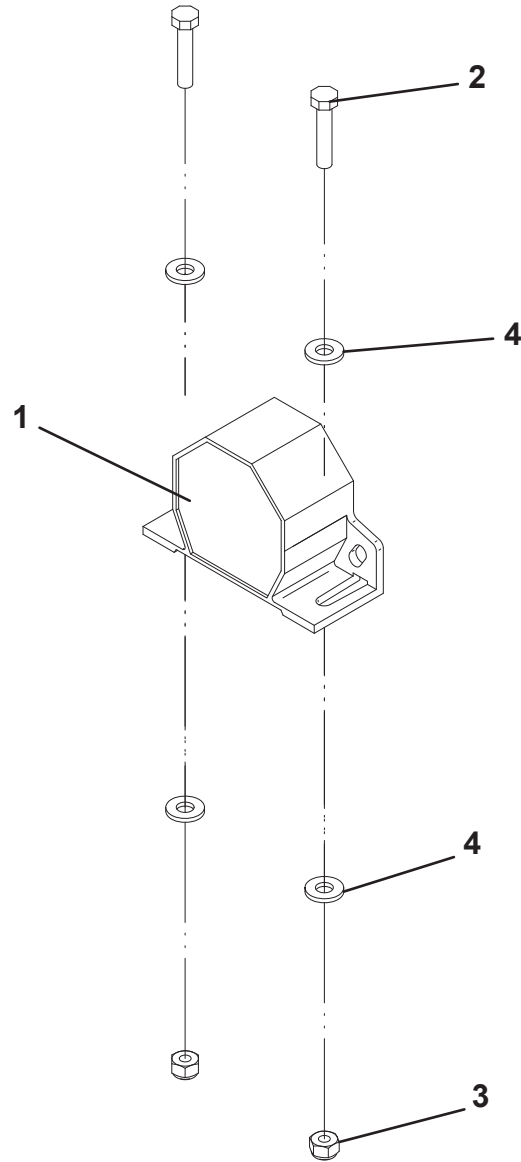


**BACKUP ALARM INSTALLATION - 97DB**

ITEM	PART NO.	DESCRIPTION	QTY
1	1001175061	Alarm	1
2	7111141050	Capscrew, 0.25"-20NC x 1.25"	2
3	7660142600	Locknut, 0.25"-20NC	2
4	7950140141	Flatwasher, 0.25" ID	4



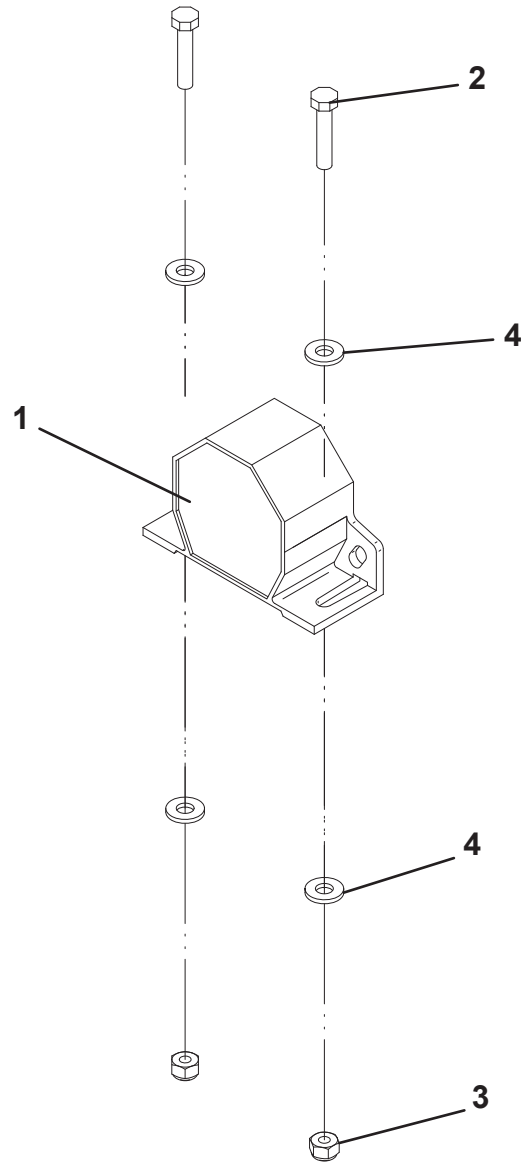
# BACKUP ALARM INSTALLATION - 97DB



**BACKUP ALARM INSTALLATION - VARIABLE**

ITEM	PART NO.	DESCRIPTION	QTY
1	1001175061	Alarm	1
2	7111141050	Capscrew, 0.25"-20NC x 1.25"	2
3	7660142600	Locknut, 0.25"-20NC	2
4	7950140141	Flatwasher, 0.25" ID	4

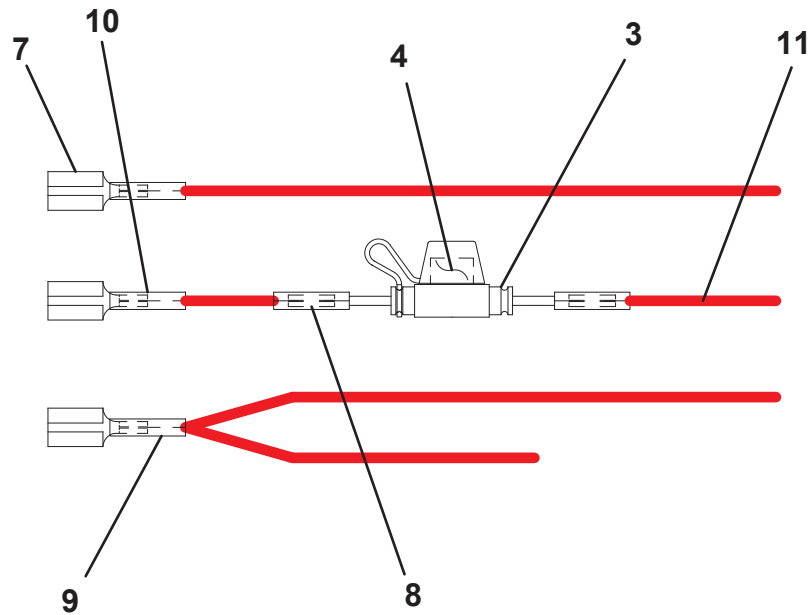
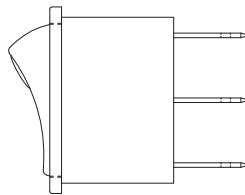
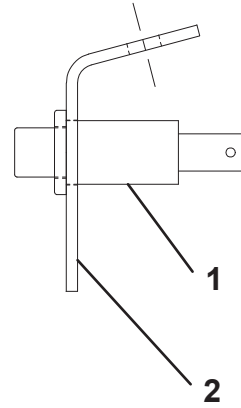
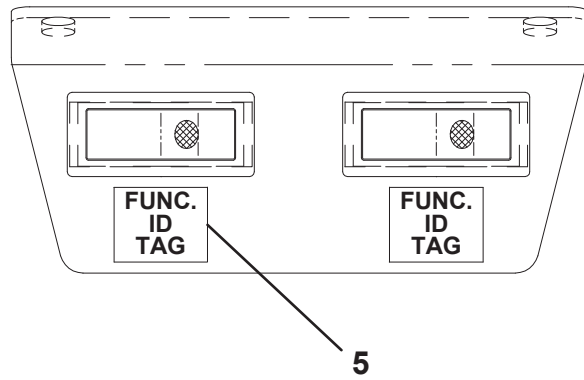
# BACKUP ALARM INSTALLATION - VARIABLE



**SWITCH PANEL, 2 FUNCTION**

ITEM	PART NO.	DESCRIPTION	QTY
1	7870000083	Switch	2
2	4178000427	Bracket	1
3	7346000126	Fuse Holder	2
4	7457000015	Fuse	2
5	7330000288	Decal	1
6	7120000034	Screw, #10 x 0.75"	2
7	7345001710	Tab	4
8	7345001914	Terminal	4
9	4346000005	Heat Shrink Tubing	10
10	7345001910	Tab	2
11	4978000046	Wire	1

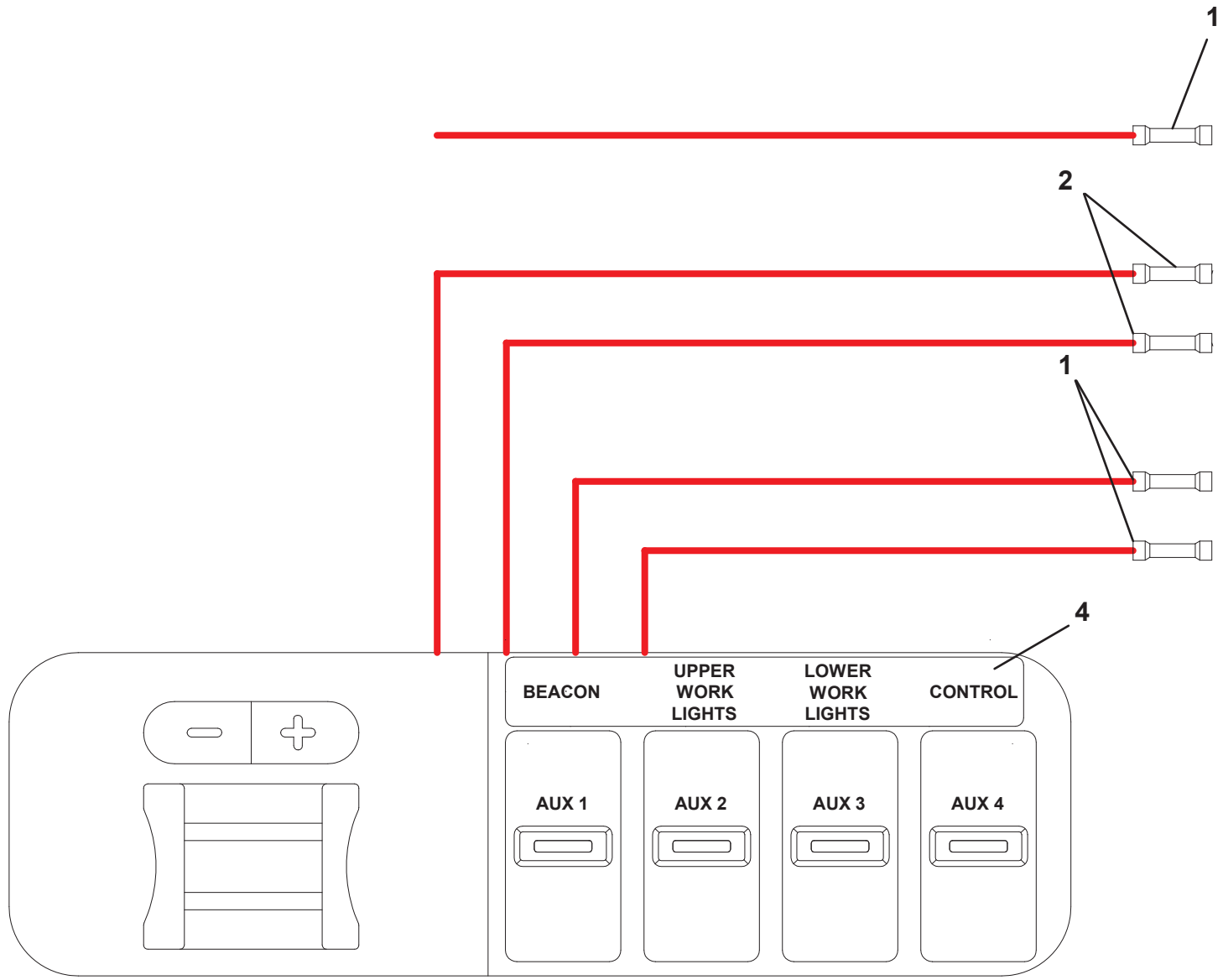
# SWITCH PANEL, 2 FUNCTION



**SWITCH PANEL, 4 FUNCTION 11-16 FORD OEM F450/550**

ITEM	PART NO.	DESCRIPTION	QTY
1	7345001713	Connector	3
2	7346000242	Connector	2
3	4346000005	Heat Shrink Tubing	4
4	7330000630	Decal	1

# SWITCH PANEL, 4 FUNCTION 11-16 FORD OEM F450/550

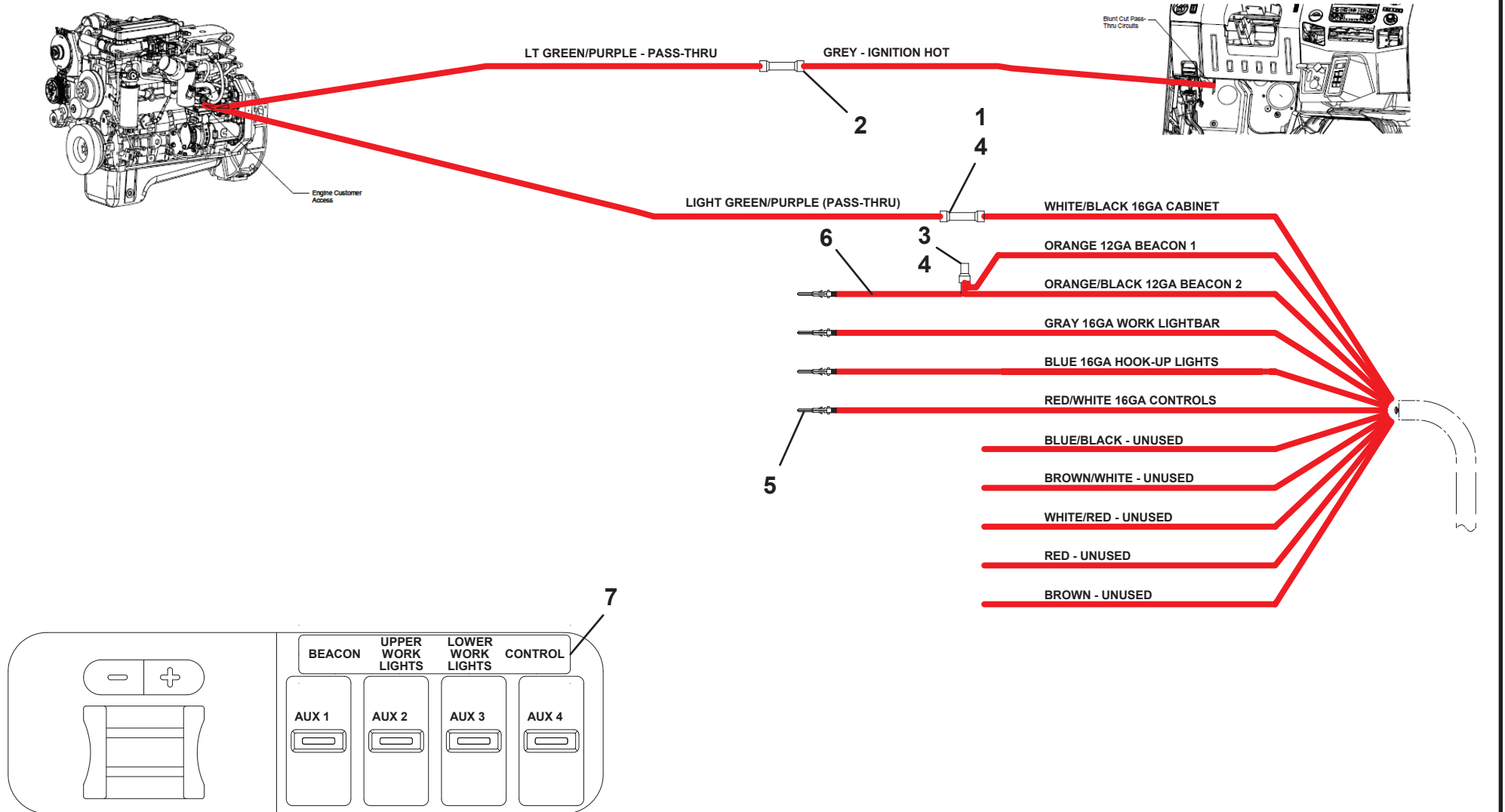


**SWITCH PANEL, 4 FUNCTION 2011+ FORD F650/750**

ITEM	PART NO.	DESCRIPTION	QTY
1	7345001714	Terminal	1
2	7345001713	Connector	1
3	7346000242	Connector	1
4	4346000005	Heat Shrink Tubing	7
5	1001129095	Terminal	4
6	7978000020	Wire	.25
7	7330000630	Decal	1



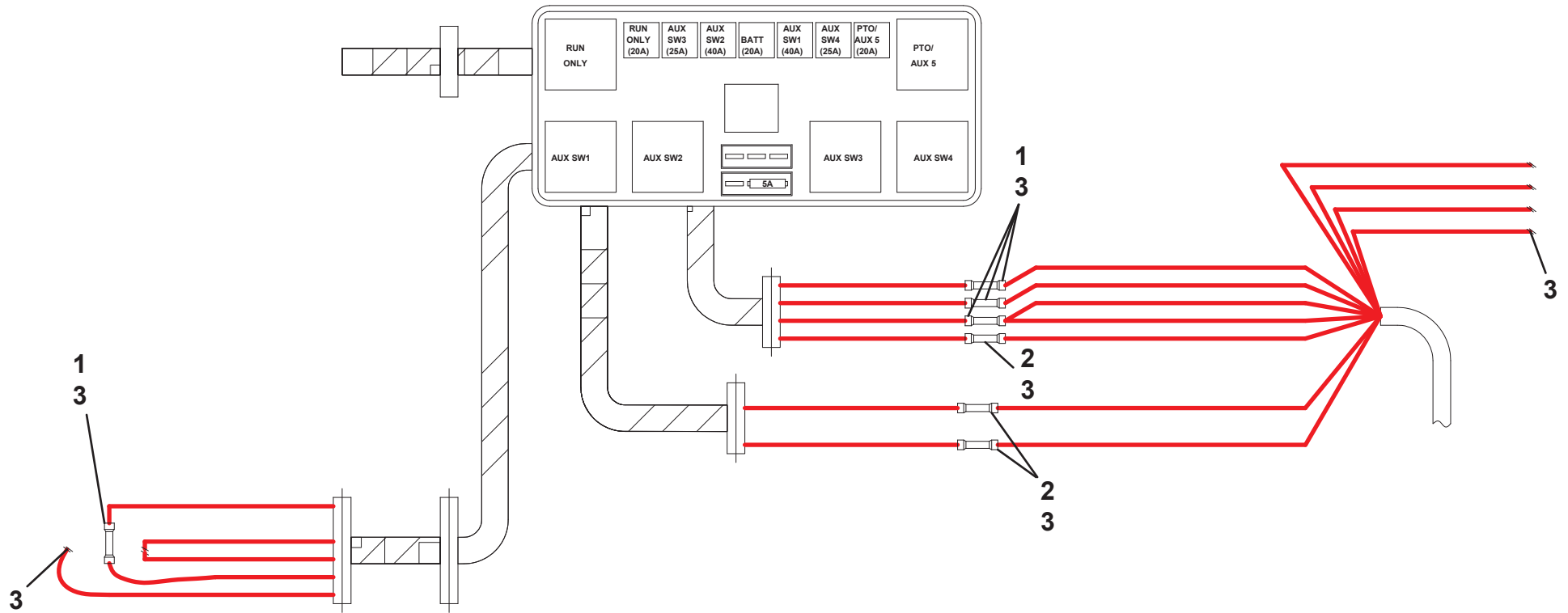
# SWITCH PANEL, 4 FUNCTION 2011+ FORD F650/750



**SWITCH PANEL, 5 FUNCTION IN-DASH 2013 DODGE**

ITEM	PART NO.	DESCRIPTION	QTY
1	7345001914	Terminal	3
2	7345001714	Terminal	4
3	7346000039	Tubing	2ft

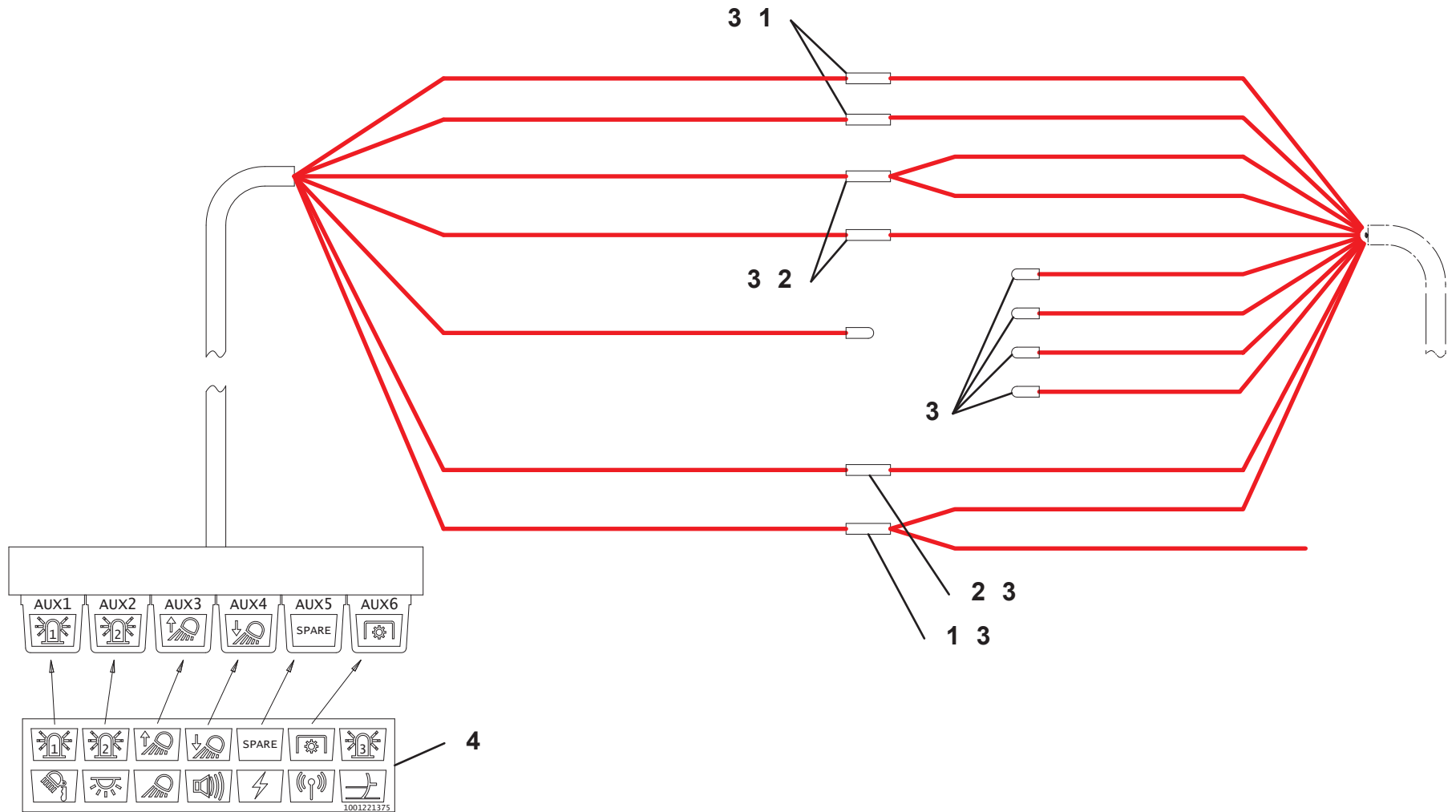
# SWITCH PANEL, 5 FUNCTION IN-DASH 2013 DODGE



**SWITCH PANEL, 6 FUNCTION 2017 FORD OEM F450/550**

ITEM	PART NO.	DESCRIPTION	QTY
1	7345001914	Terminal	3
2	7345001714	Terminal	3
3	7346000039	Tubing	0.5
4	1001221375	Decal	1
5	1001225217	Panel	1

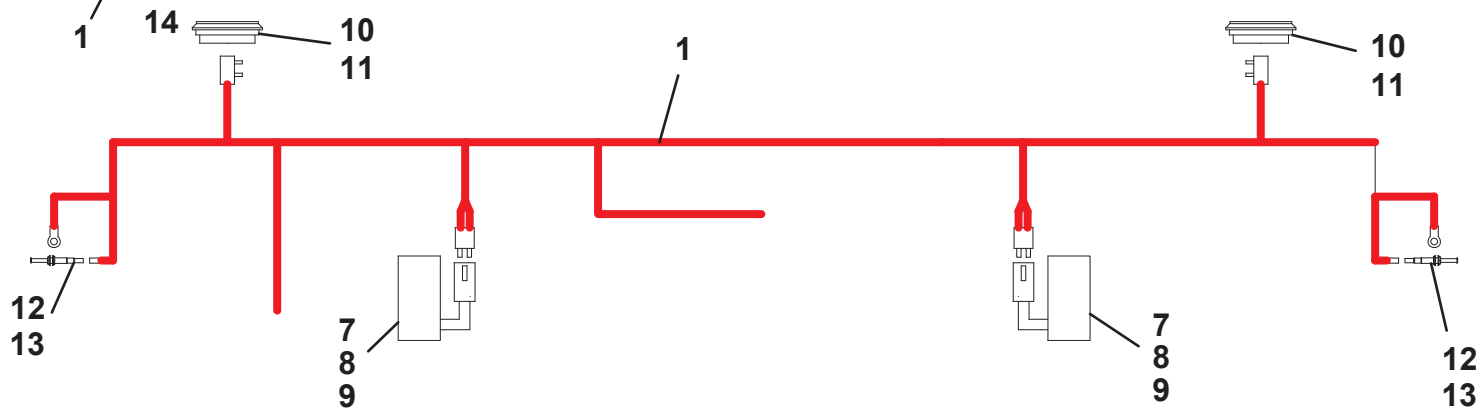
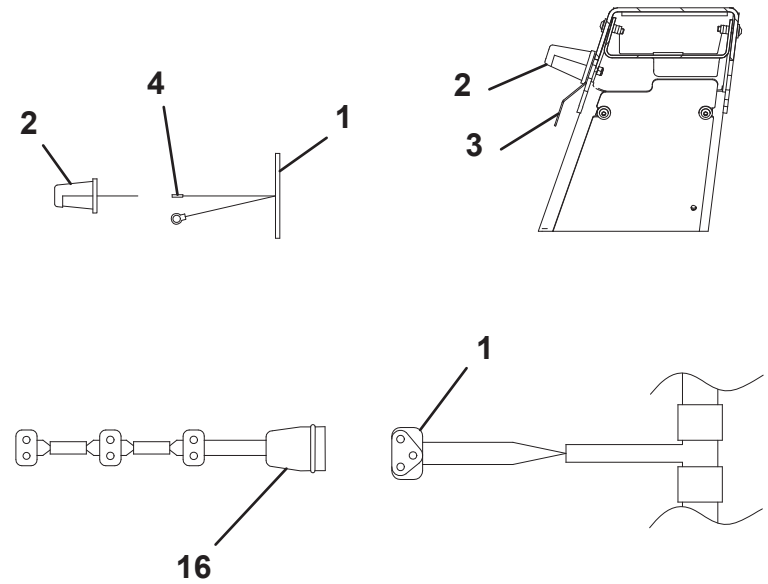
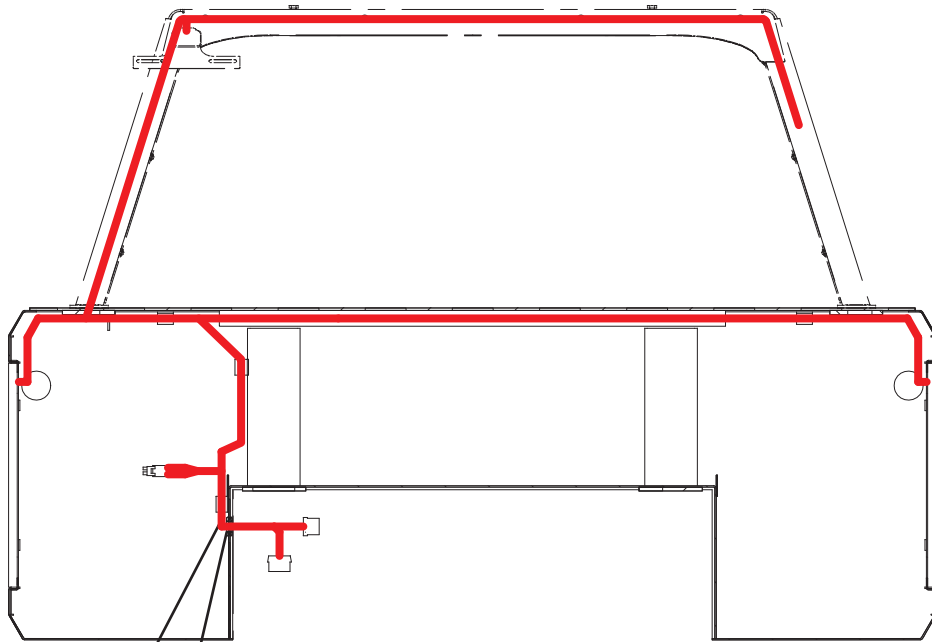
# SWITCH PANEL, 6 FUNCTION 2017 FORD OEM F450/550



**INSTALLATION ELECTRICAL MPL 84CA 3 MARKER**

ITEM	PART NO.	DESCRIPTION	QTY
1	7552000295	Harness, Headbrd/Tunnel MPL40	1
2	7590000105	Light #436sx License Plate	1
3	7178000025	License Plate Bracket #3272100	1
4	7346000039	Tube 0.25" ID Hs W/Adhesive	0.125
5	7894000042	Tie Strap, 0.25" X 8.39" Push In	8
6	5526000553	Tie Plastic Strap - 0.31" W X 8"	8
7	7790100856	Screw #10 X 0.50" Hwh Self-Tapp	4
8	7590000273	Light Dome Lamp 1.75" X 2.53" X	2
9	7661000047	Nut Nylon Pannel #8-10 Grip 0.	4
10	7493000009	Light, Grommet Black	2
11	7590000048	Light #10205y Side Marker - Am	2
12	7870000115	Switch 2.5" Adjustable Pin Swi	2
13	7413000013	Fastener Push On Ratchet #27Rt	2
14	7493000011	Grommet 1.38" ID Rubber	1
15	7950100163	Flatwasher #10 Wide Ss	2
16	1001214805	Harness, TI Jumper 3 Marker	2

# INSTALLATION ELECTRICAL MPL 84CA 3 MARKER

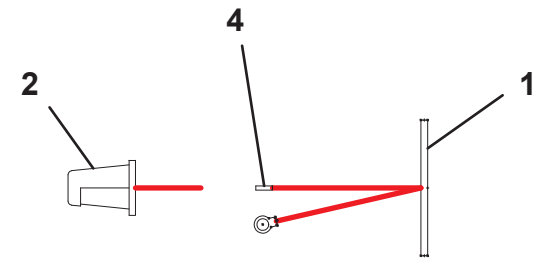
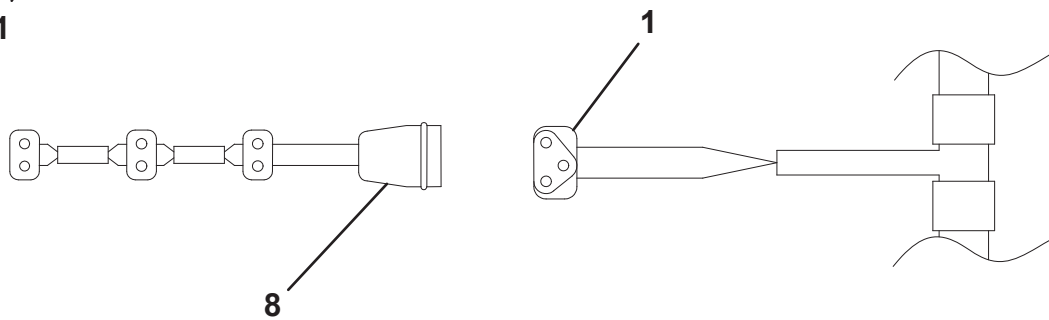
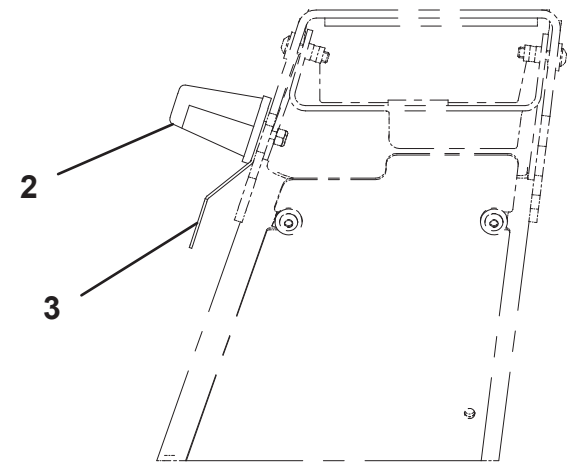
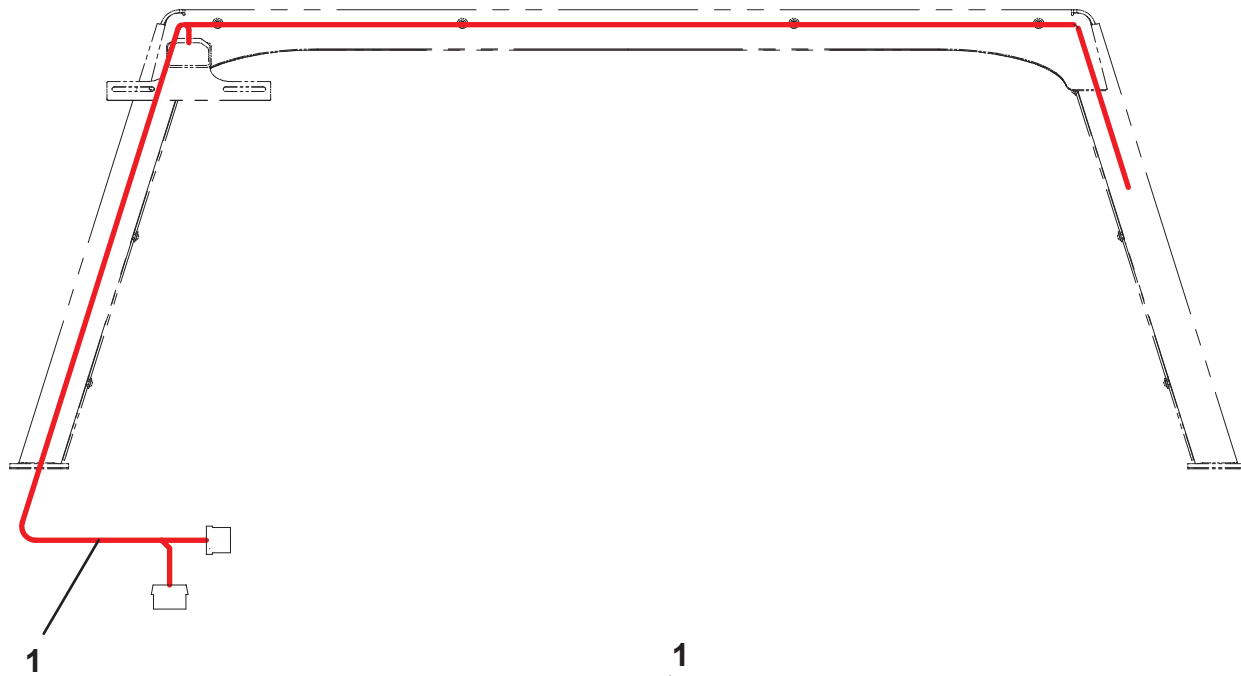


**INSTALLATION PYLON 3 MARKER LIGHTS**

ITEM	PART NO.	DESCRIPTION	QTY
1	7552000293	Harness, Headboard	1
2	7590000105	Light	1
3	7178000025	License Plate Bracket	1
4	7346000039	Tube	6"
5	7894000042	Tie Strap	1
6	5526000553	Tie Strap	1
7	7950100163	Flatwasher, #10 ID	2
8	1001214805	Harness	2



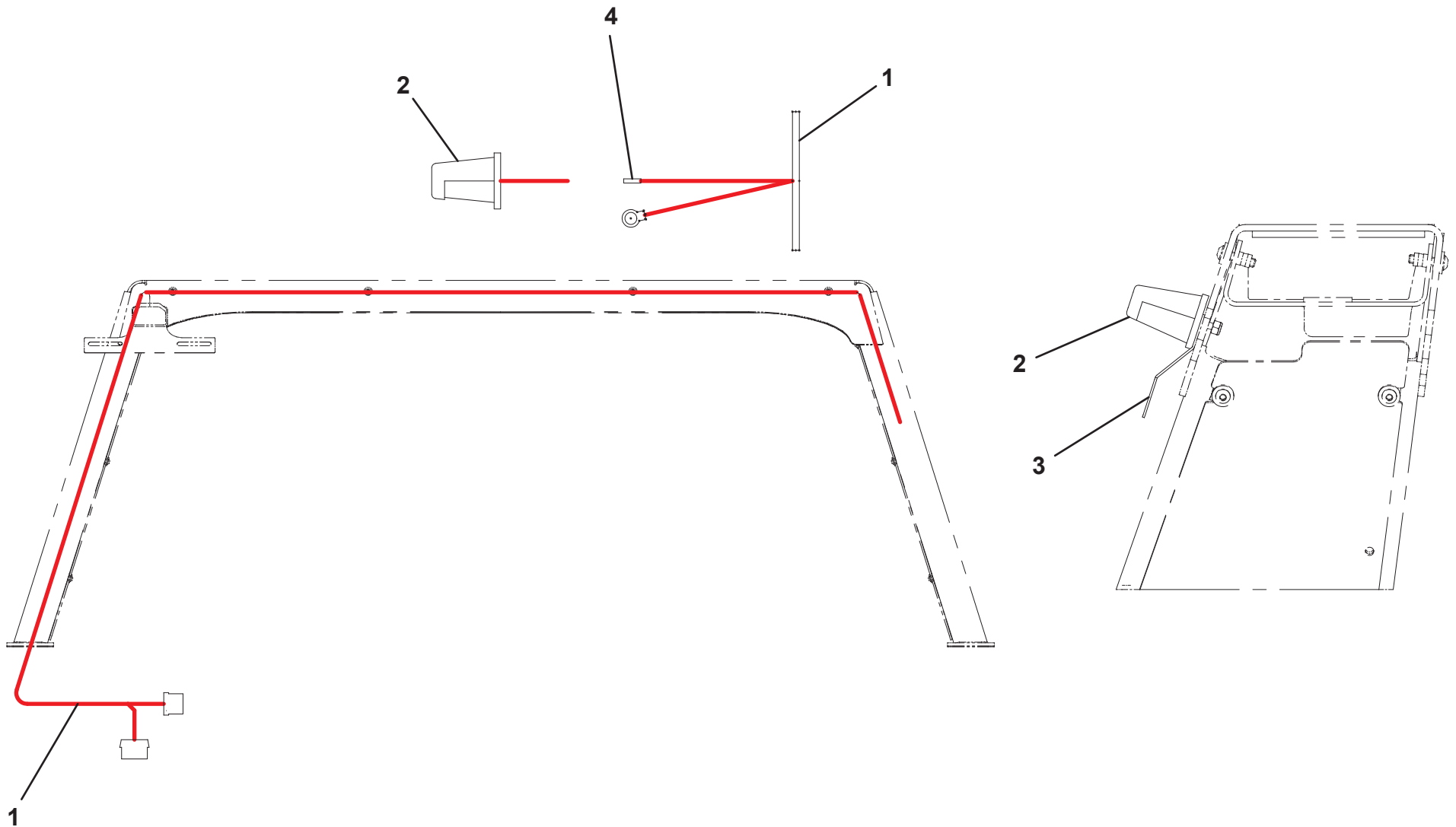
# INSTALLATION PYLON 3 MARKER LIGHTS



**ELECTRICAL ASSEMBLY BASE PYLON MPL40/MPL-NG**

ITEM	PART NO.	DESCRIPTION	QTY
1	3509570137	Light Pylon Weld 34.00" Alum M	1
2	4263000689	Channel 0.12" X 9.13" X 55.32" Al	1
3	4314000224	Coverplate 0.12" X 14.89" X 31.1"	2
4	7949000058	Washer 0.88" OD X 0.53" ID X 0.1"	4
5	7796000101	Gasket 0.12" X 3.62" X 12.50"	2
6	7115181450	Capscrew 0.50"-13nc X 1.75" Hex	4
7	7950180161	Flatwasher 0.50" Nom Wide - Pla	4
8	7413000002	Nutsert 0.25"-20nc Atlas Ind.	8
9	7114140818	Capscrew 0.25"-20 X 1.00" Ss B	8
10	7950140143	Flatwasher 0.25" Nom Narrow Ss	20
11	7114140618	Capscrew 0.25 - 20nc X 0.75" Ss B	12
12	7661000019	U-Nut 0.25"-20nc	12

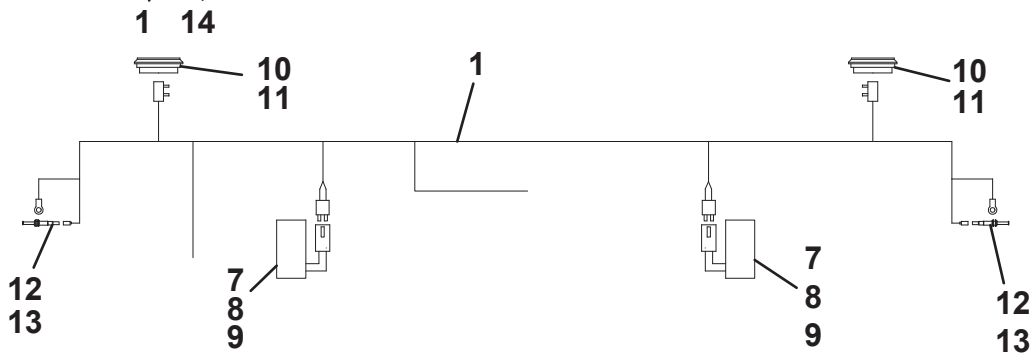
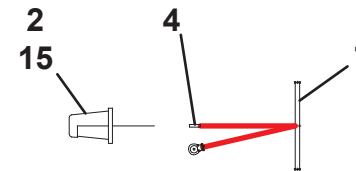
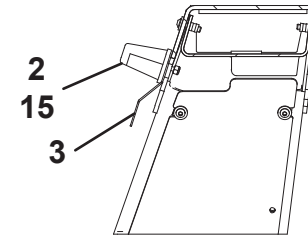
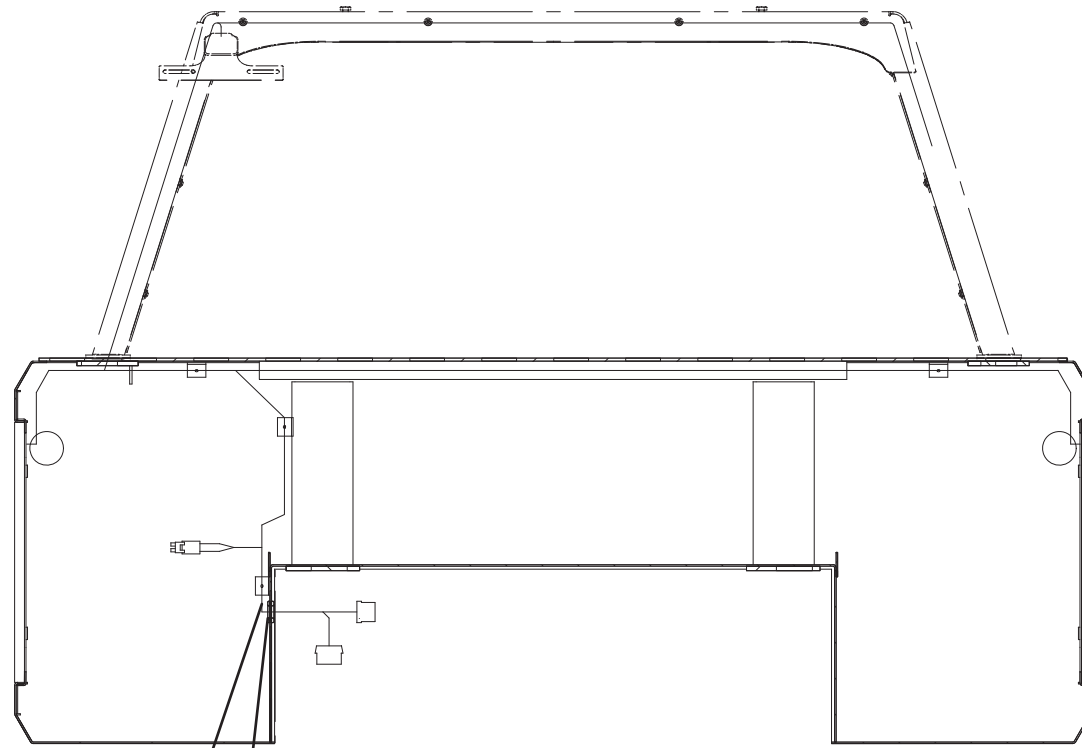
# ELECTRICAL ASSEMBLY BASE PYLON MPL40/MPL-NG 60"CA



**ELECTRICAL ASSEMBLY PYLON & TUNNEL**

ITEM	PART NO.	DESCRIPTION	QTY
1	7552000295	Harness	1
2	7590000105	Light	1
3	7178000025	License Plate Bracket	1
4	7346000039	Tube	6in
5	7894000042	Tie Strap	8
6	5526000553	Tie Strap	8
7	7790100856	Screw, #10 X 0.50"	4
8	7590000273	Light	2
9	7661000047	Nut, #8-10	4
10	7493000009	Light	2
11	7590000342	Light	2
12	7870000115	Switch	2
13	7413000013	Fastener	2
14	7493000011	Grommet	1
15	7950100163	Flatwasher, #10 ID	2

# ELECTRICAL ASSEMBLY PYLON & TUNNEL



**THIS PAGE INTENTIONALLY LEFT BLANK**

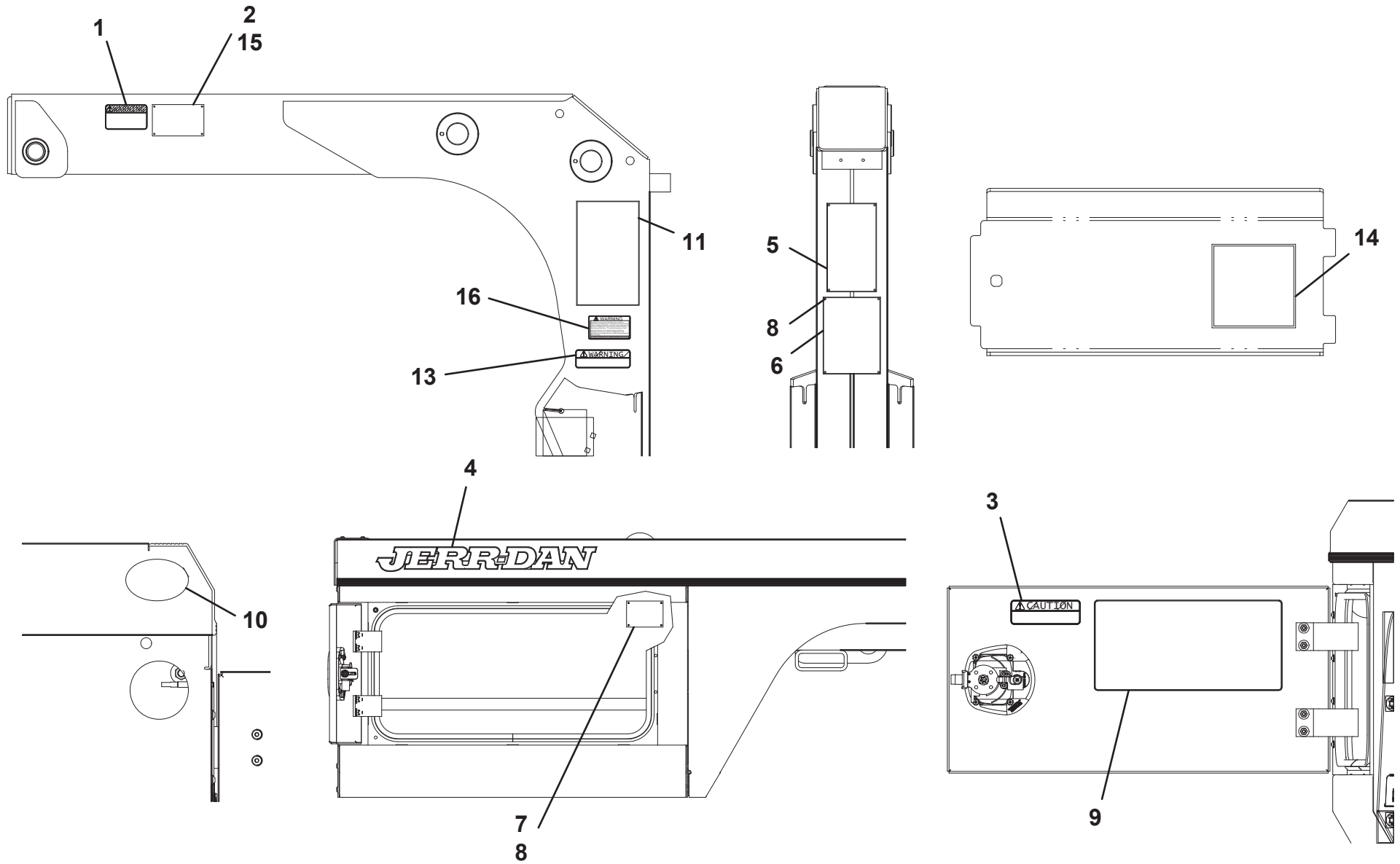
**SECTION 8 - DECAL**

**DECAL INSTALLATION**

ITEM	PART NO.	DESCRIPTION	QTY	REV
	2509290081	Decal Installation	Ref	D
1	7330000546	Decal, Winch Cable Warning	1	
2	1001132346	Patent Placard	1	
3	7330000034	Decal, Caution	1	
4	7330000433	Decal, "JERR-DAN"	2	
5	1001132509	Decal, Serial Number	1	
6	7330000307	Decal, Placard	1	
7	1001127220	Decal, Ident Tag	1	
8	7759000004	Pop Rivet	12	
9	1001207920	Decal, Lubrication	1	
10	7330000143	Decal, Made in the USA	1	
11	7330000138	Decal, Alum	1	
12	7330000139	Decal, Checklist	1	
13	7330000122	Decal, Warning	2	
14	7330000699	Decal, Manual	1	
15	4892000007	Tape, Double Face	2	



# DECAL INSTALLATION



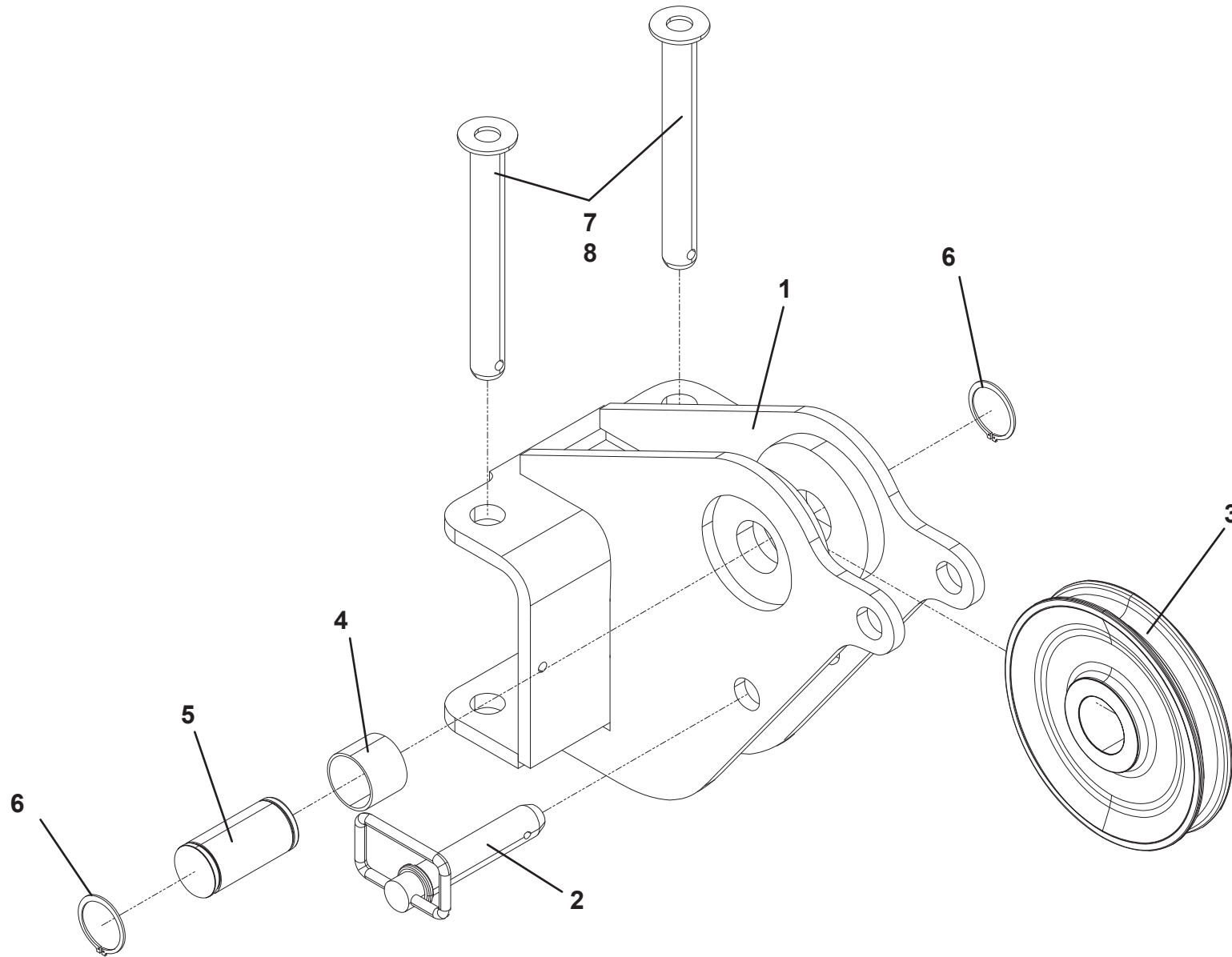
**THIS PAGE INTENTIONALLY LEFT BLANK**

**SECTION 9 - ACCESSORIES**

**LOW ANGLE RECOVERY SHEAVE, SWIVEL HEAD**

ITEM	PART NO.	DESCRIPTION	QTY	REV
	2509610148	Low Angle Recovery Sheave, Swivel Head	Ref	
1	3249000040	Sheave Weldment	1	
2	7691000053	Pin	1	
3	7809000013	Sheave	1	
4	7082000032	Bearing	1	
5	4691000572	Pin	1	
6	7754000006	Retaining Ring	2	
7	3691000195	Pin	2	
8	7691000027	Pin	2	

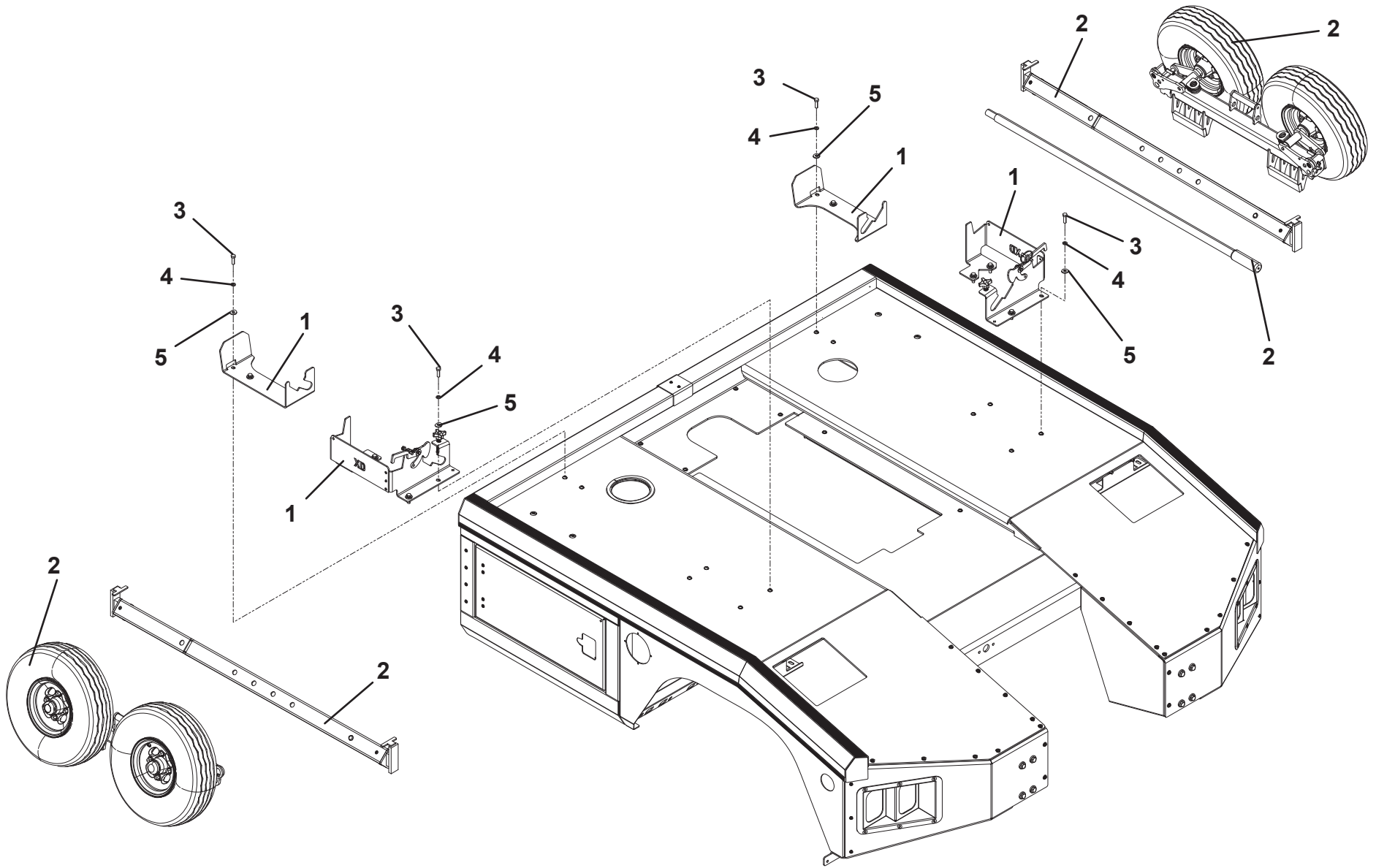
# LOW ANGLE RECOVERY SHEAVE, SWIVEL HEAD



**TOW DOLLY INSTALLATION**

ITEM	PART NO.	DESCRIPTION	QTY
1	1001223286	Tow Dolly Mount	1
2	1001223285	Tow Dollies	1
3	7114161050	Capscrew, 0.38" - 16NC x 1.25"	12
4	4761600	Lockwasher, 0.38" ID	12
5	7950160163	Flatwasher, 0.38" ID	12

# TOW DOLLY INSTALLATION

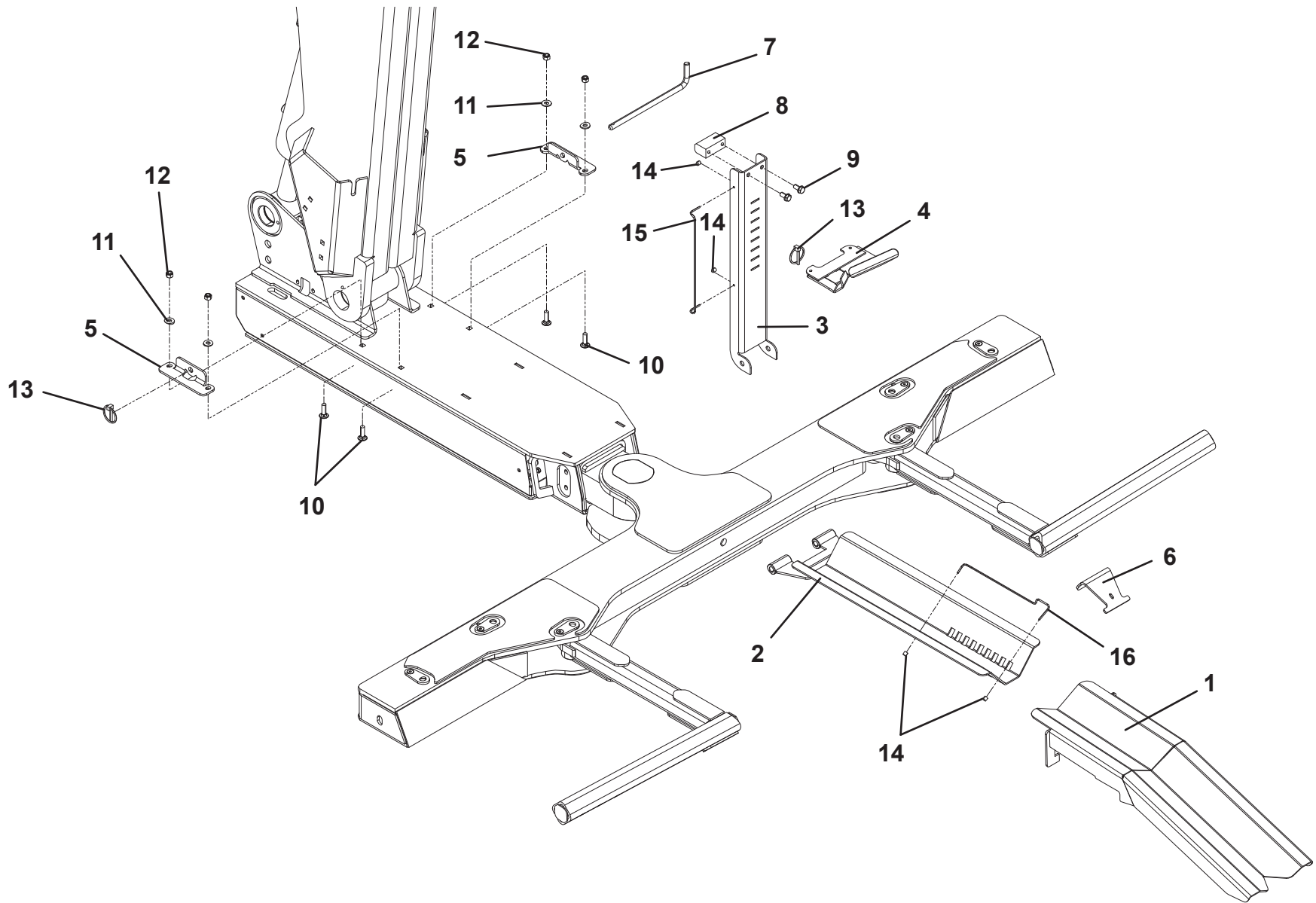


**MOTORCYCLE TOW BRACKET INSTALLATION**

ITEM	PART NO.	DESCRIPTION	QTY
1	3178000470	Bracket	1
2	3178000468	Bracket	1
3	4263000710	Channel	1
4	3178000469	Bracket	1
5	4178000636	Bracket	2
6	4178000639	Bracket	1
7	4691000547	Pin	1
8	4679000275	Pad	1
9	7790161253	Screw, 0.38"-16NC x 0.75"	2
10	7115161064	Bolt, 0.38"-16NC x 1.25"	4
11	7950150161	Flatwasher, 0.31" ID	4
12	7660162601	Locknut, 0.38"-16NC	4
13	7691000047	Pin	2
14	7819000012	Sleeve	4
15	4248000002	Wire Rope	1
16	4248000003	Wire Rope	1
17	7577000375	Tiedown Kit	1
18	7120000052	Eye Bolt	2



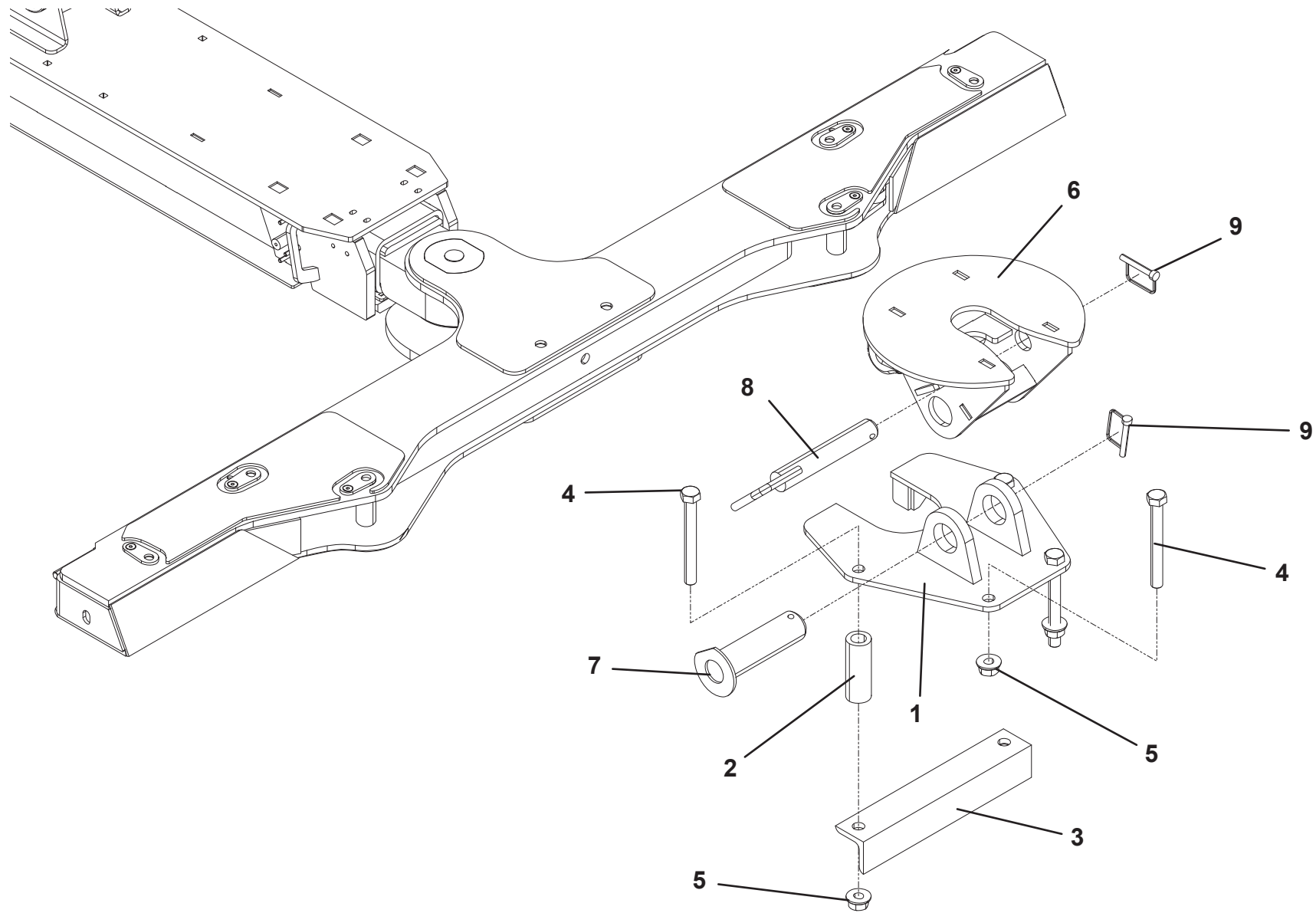
# MOTORCYCLE TOW BRACKET INSTALLATION



**TOW ACCESSORY 5TH WHEEL**

ITEM	PART NO.	DESCRIPTION	QTY
1	3178000543	Bracket	1
2	4912000432	Tube	2
3	4017001612	Angle	1
4	7118225250	Capscrew, 0.75"-10NC x 6.50"	4
5	7661000069	Nut, 0.75"-10NC	4
6	3178000562	Bracket	1
7	3691000144	Pin	1
8	3691000145	Pin	1
9	7691000025	Pin	2

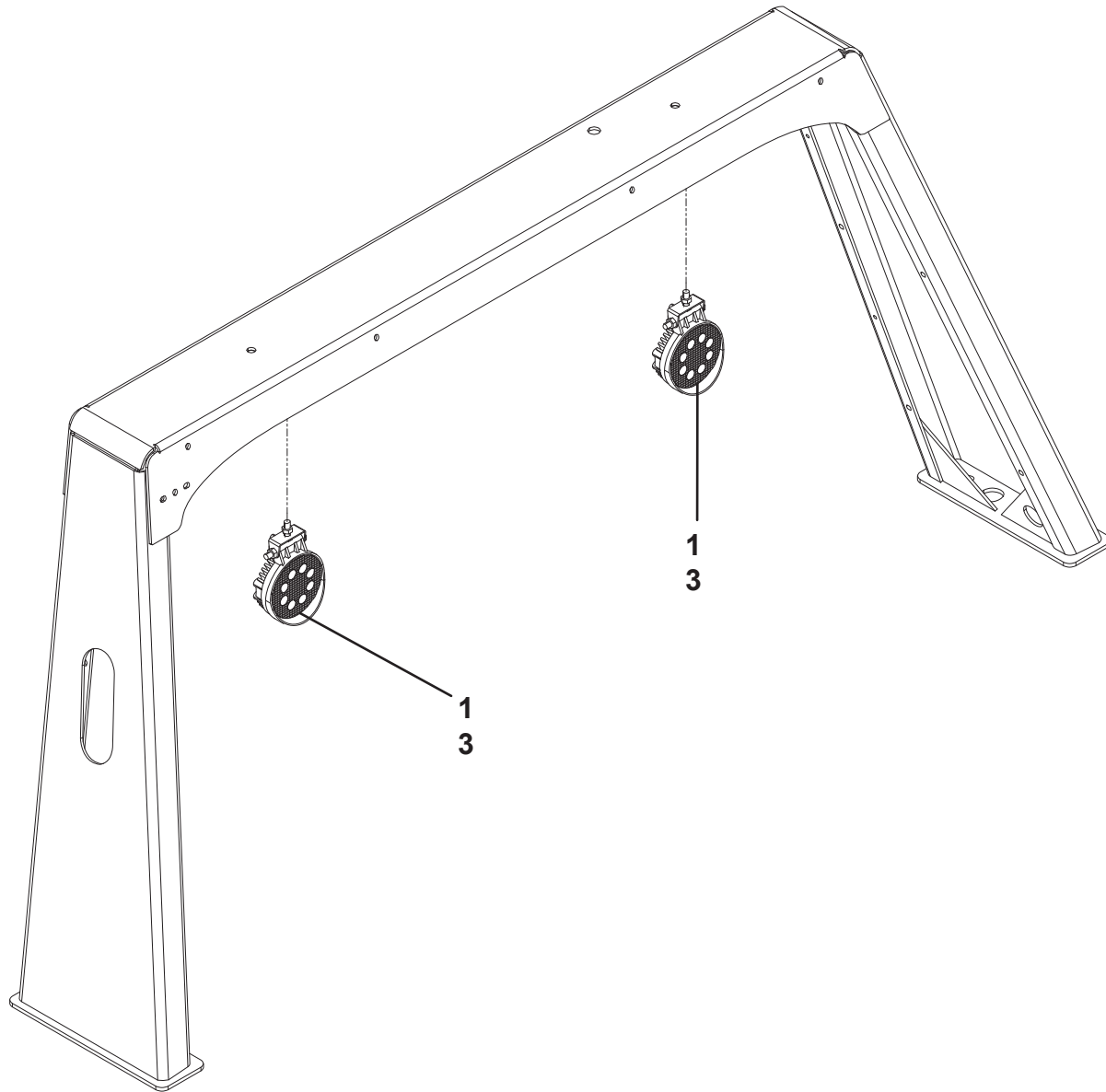
# TOW ACCESSORY 5TH WHEEL



**UPPER WORK LIGHT INSTALLATION**

ITEM	PART NO.	DESCRIPTION	QTY
1	1001176337	Lamp	2
2	7493000011	Grommet	2

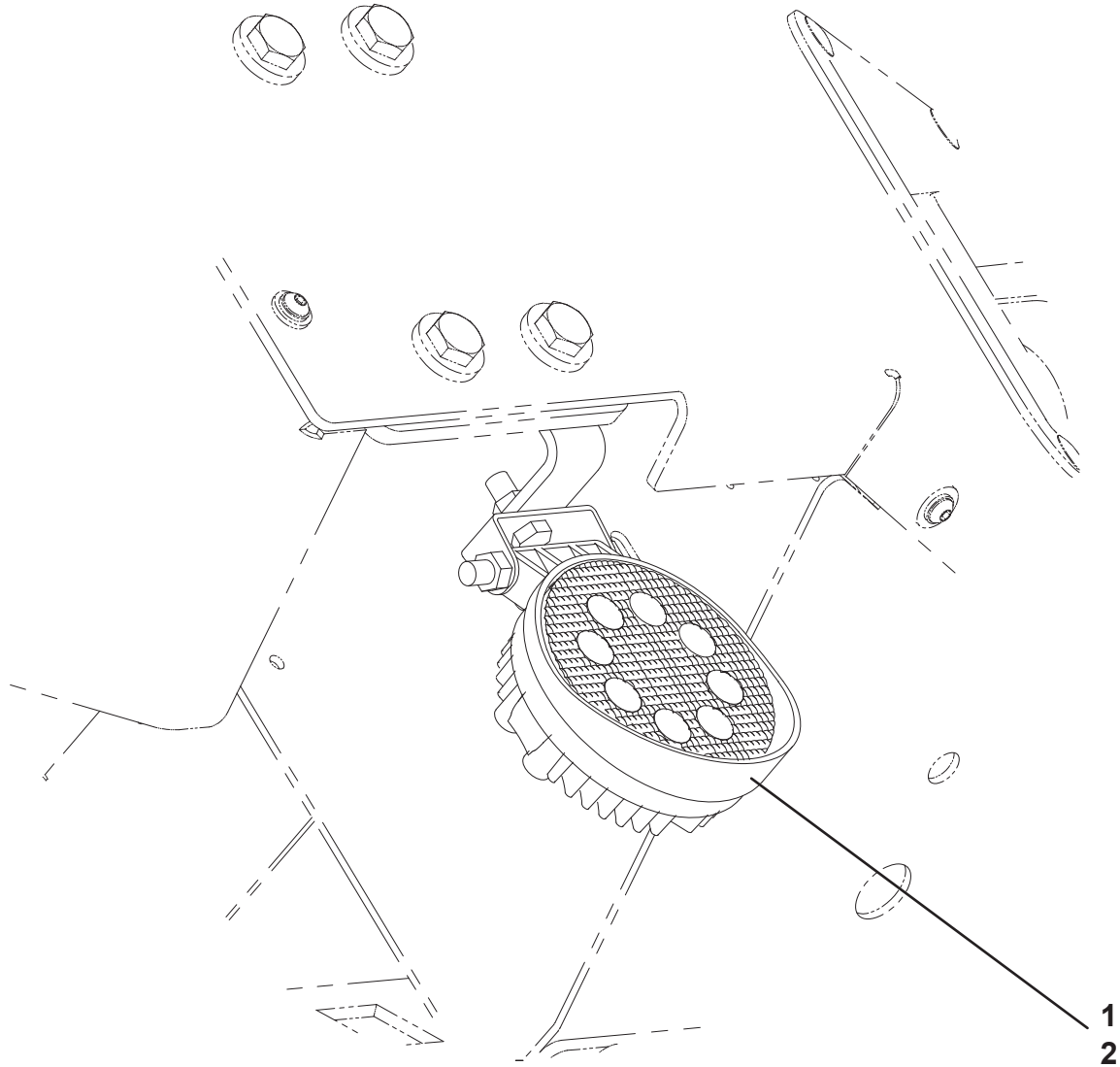
# UPPER WORK LIGHT INSTALLATION



**LOWER WORK LIGHT INSTALLATION**

ITEM	PART NO.	DESCRIPTION	QTY
1	1001176337	Lamp	2
2	4178000784	Bracket	2

# LOWER WORK LIGHT INSTALLATION

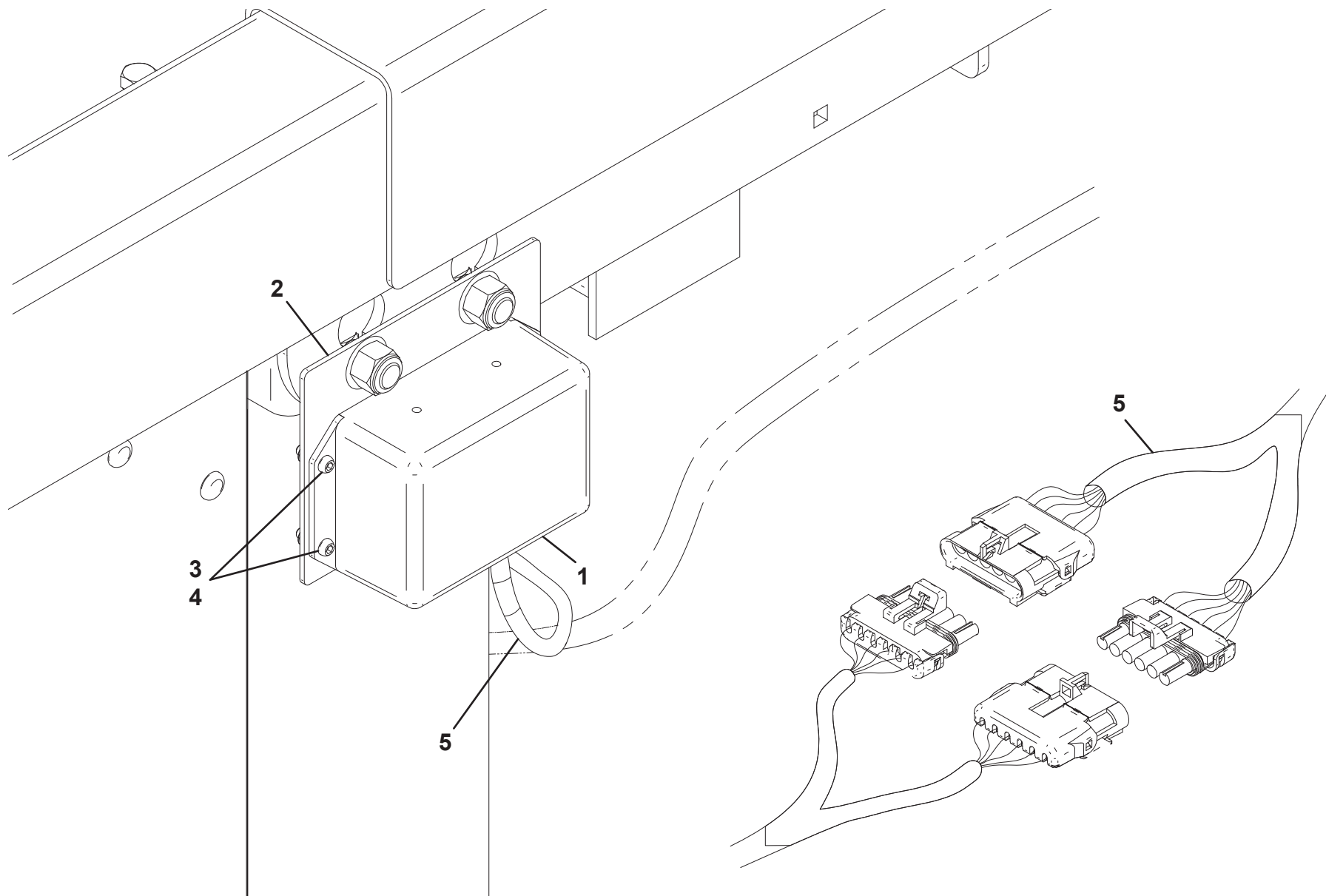


**WIRELESS REMOTE INSTALLATION**

ITEM	PART NO.	DESCRIPTION	QTY
1	7295000116	Wireless Control	1
2	4636000038	Wireless Remote	1
3	7114100518	Capscrew, #10-24NC x 0.62"	4
4	7660102604	Locknut, #10-24NC	4
5	7552000384	Harness	1
6	5526000553	Tie Strap	5
7	7075000003	Battery	1



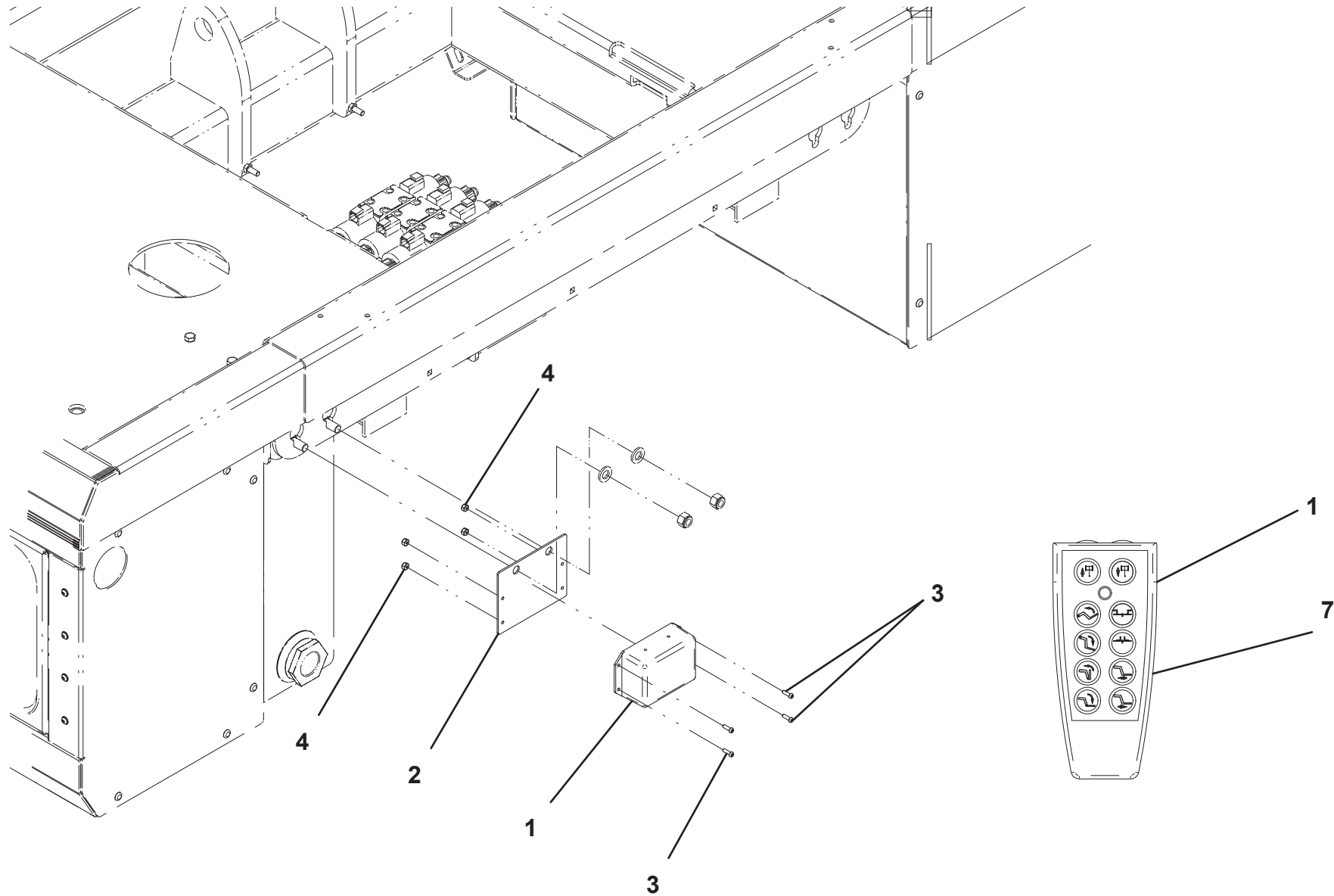
# WIRELESS REMOTE INSTALLATION



**WIRELESS REMOTE CONTROL INSTALLATION, 5 FUNCTION**

ITEM	PART NO.	DESCRIPTION	QTY	REV
	2295000016	Wireless Remote Control Installation, 5 Function	Ref	B
1	7295000117	Wireless Control 10 Func Miratron	1	
2	4706005595	Mount Wireless Remote	1	
3	7114100518	Capscrew, #10-24NC X 0.62"	4	
4	7660102604	Locknut #10-24NC	4	
5	7552000386	Harness-10 Function Wireless Remote	1	
6	5526000553	Tie Strap	5	
7	7075000003	Battery	1	

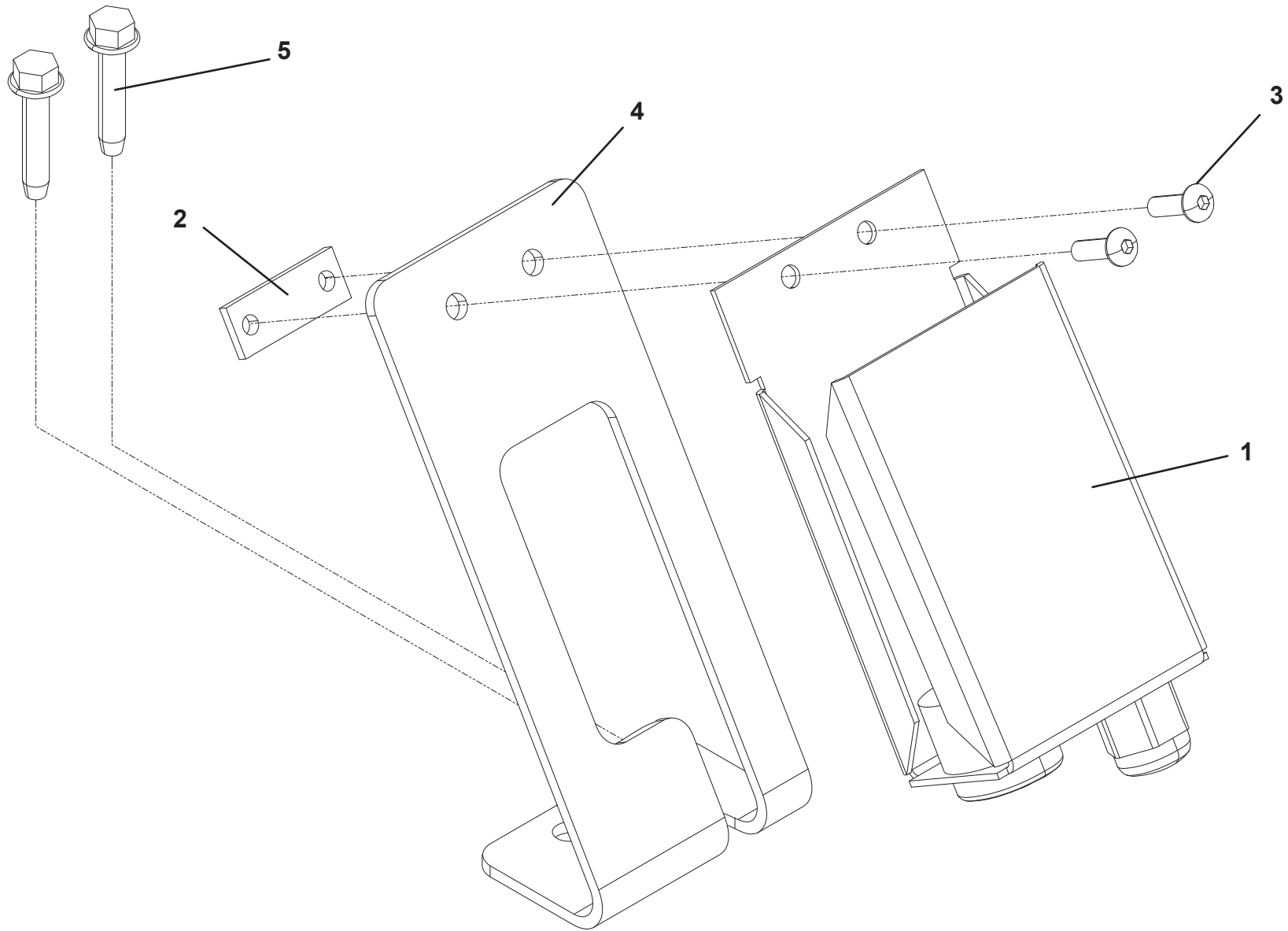
# WIRELESS REMOTE CONTROL INSTALLATION, 5 FUNCTION



**WIRELESS REMOTE HOLDER INSTALLATION**

ITEM	PART NO.	DESCRIPTION	QTY
1	7002000521	Wireless Remote Holder	1
2	7661000056	Nut, #10-24NC	1
3	7114100518	Bolt, #10-24NC	2
4	1001230127	Mount	1
5	7790142051	Screw, 0.25" x 1.25"	2

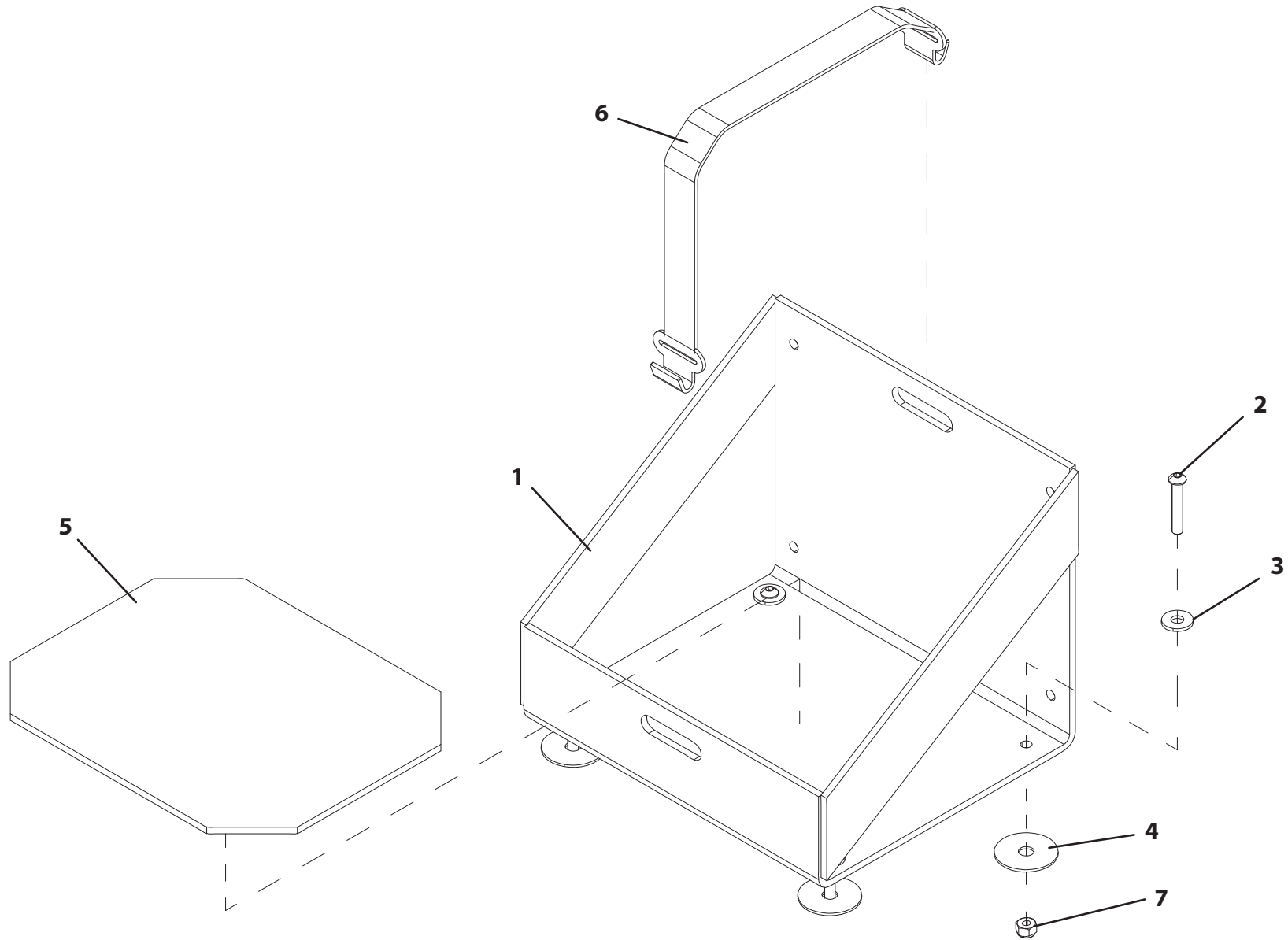
# WIRELESS REMOTE HOLDER INSTALLATION



**KIT, FUEL CAN STORAGE**

ITEM	PART NO.	DESCRIPTION	QTY	REV
	1001211866	Kit, Fuel Can Storage	Ref	A
1	3178000471	Bracket Weld Fuel Can	1	
2	7114141218	Capscrew, 0.25"-20NC X 1.50"	4	
3	7950140153	Flatwasher, 0.25" ID	8	
4	7949000055	Washer, 1.50" ID	4	
5	4679000274	Pad	1	
6	7894000063	Tie Strap	1	
7	7660142604	Locknut, 0.25"-20NC	4	

# KIT, FUEL CAN STORAGE

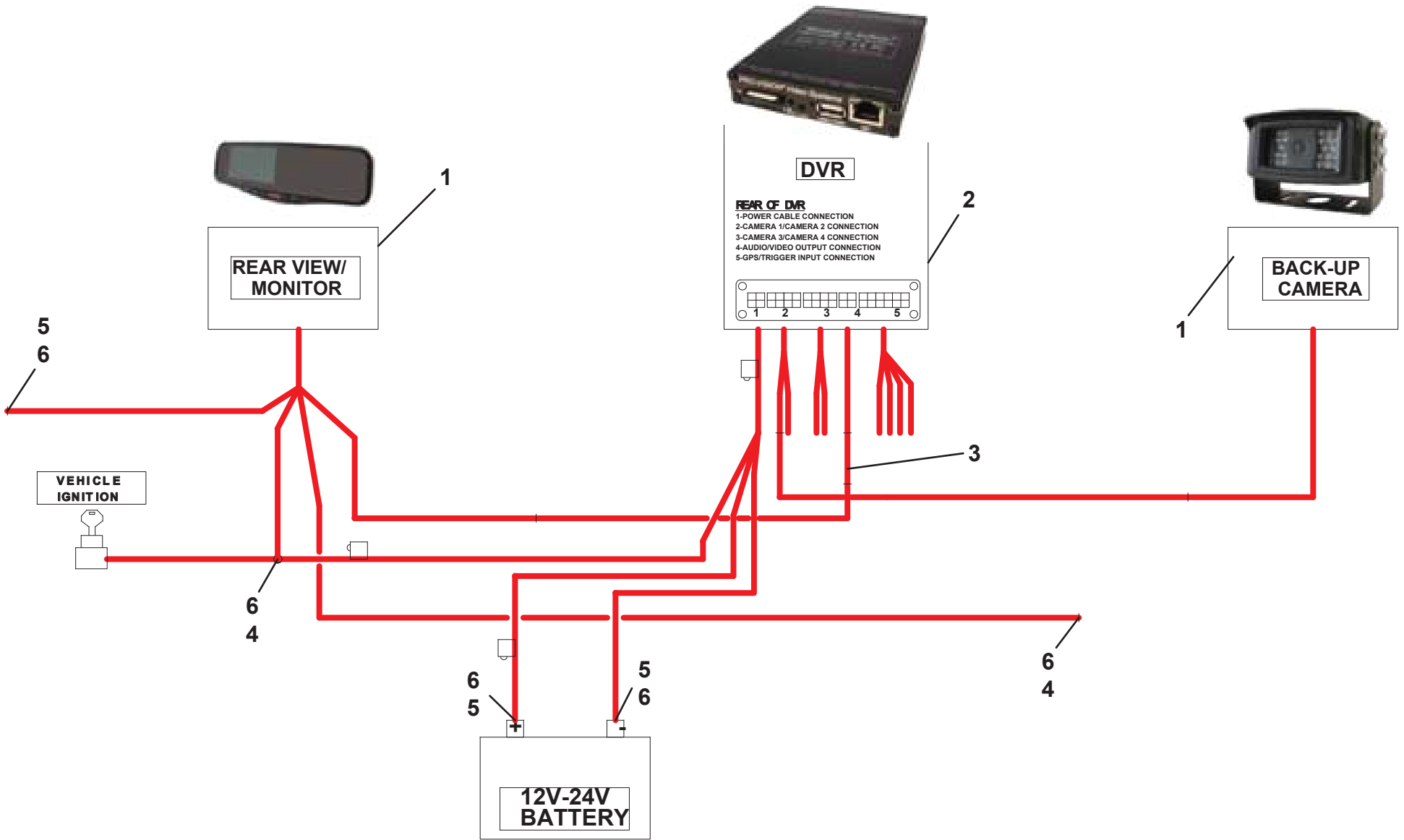


**BACKUP CAMERA W/ DVR INSTALLATION**

ITEM	PART NO.	DESCRIPTION	QTY
1	1001139909	Camera System	1
2	1001139911	DVR	1
3	1001142453	Cable	1
4	7345001914	Terminal	2
5	7345221902	Terminal	3
6	7346000039	Tubing	0.25



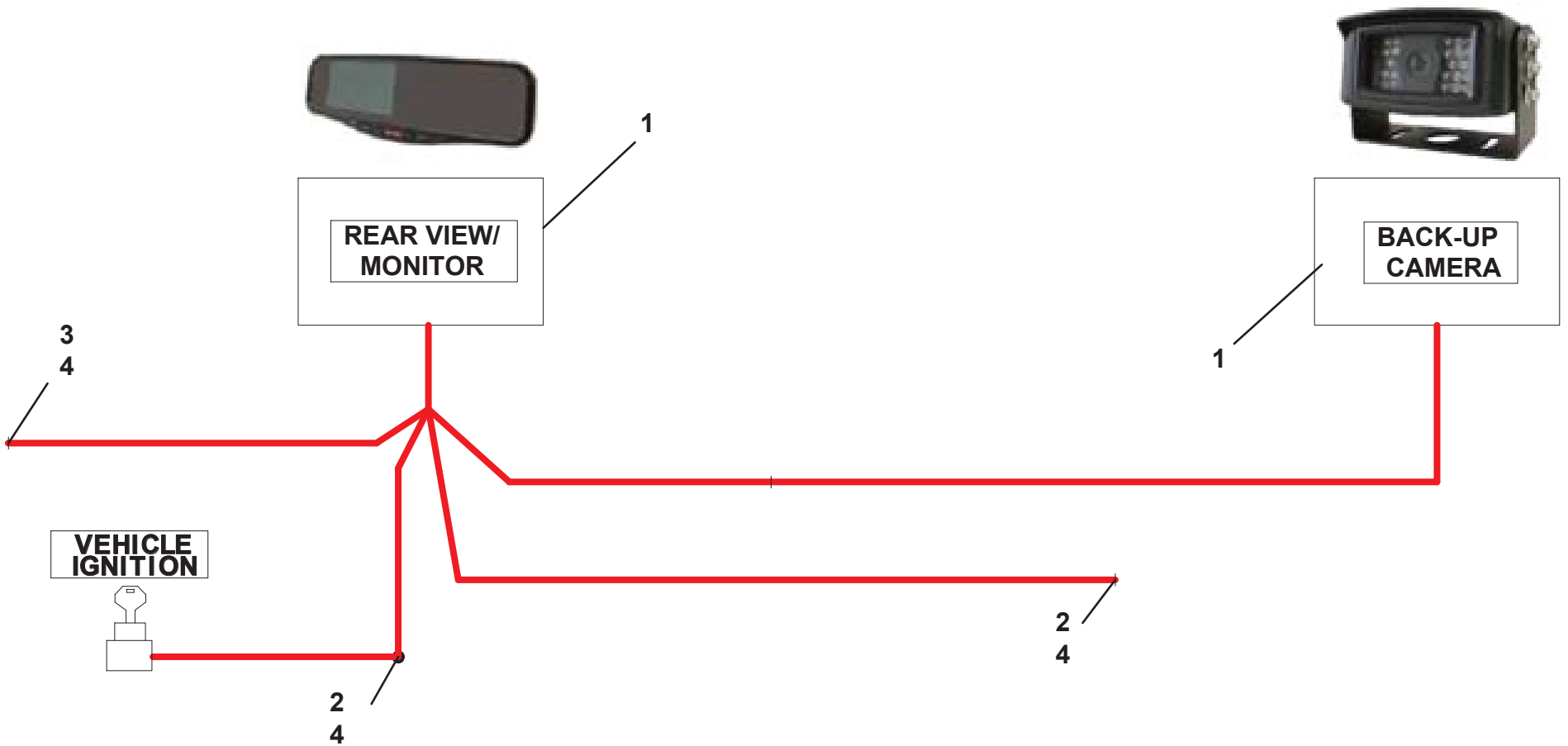
# BACKUP CAMERA W/ DVR INSTALLATION



**BACKUP CAMERA INSTALLATION**

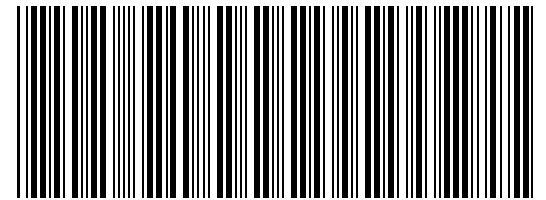
ITEM	PART NO.	DESCRIPTION	QTY
1	1001139909	Camera System	1
2	7345001914	Terminal	2
3	7345221902	Terminal	1
4	7346000039	Tubing	.17

# BACKUP CAMERA INSTALLATION





*Phone (800) 926-9666*



5376000101- A