

SIDE RECOVERY SYSTEM (WRECKER) PARTS MANUAL

JERR-DAN[®]

An Oshkosh Corporation Company

13224 Fountainhead Plaza
Hagerstown, MD 21742
Phone (717) 597-7111
www.jerr-dan.com



5376000176
Rev 0 - January 1, 2016

© 2016 Jerr-Dan Corporation. All Rights Reserved

This manual covers the following Jerr-Dan Models:

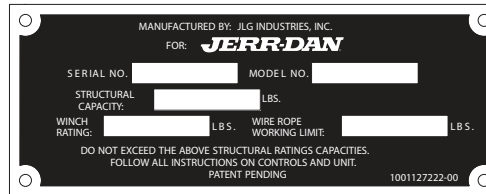
SRS-W25S	Side Recovery System (25,000 lb)
SRS-W35S	Side Recovery System (35,000 lb)

Jerr-Dan Corporation strives to provide information that is accurate, complete and useful. Descriptions and illustrative material contained within this manual are as accurate as known at the time of publication and are subject to change, without notice, as a result of continuous product improvements. Jerr-Dan reserves the right to amend the information in this document at any time without prior notice.

Information contained in this manual reflects how this vehicle was built at the factory. Modifications or additions by the distributor or owner are not reflected in this manual.

This parts manual does not include service parts information for the commercial chassis (IHC, Ford, GM, etc.). That information is provided by the chassis manufacturer.

When ordering parts, please refer to your unit's Serial Number and Model Number. This information is be found on the aluminum tag riveted to the frame crossmember of the Side Recovery System as shown below:



Additional or replacement manuals can be ordered by calling Jerr-Dan Parts at 717-597-7111. Price and availability will be quoted at time of the request.

Please report comments and/or errors by contacting Jerr-Dan Corporation's Technical Publications Department by e-mail at technicalpublications@jerr-dan.com or by FAX on 717-485-7162.

Manufactured under one or more of the following patents: 5,575,606; 5,672,042; 5,697,741; 5,713,714; 5,722,810; 5,782,596; 5,839,775 and 6,315,515 B1 with other Patents Pending.

Jerr-Dan and the Jerr-Dan logo are registered trademarks and Run Hard is a service mark of Jerr-Dan Corporation, Greencastle, PA USA.

The material in this document is confidential and the property of Jerr-Dan Corporation. No part of this document may be photocopied, Reproduced or translated to another language without the express written consent of Jerr-Dan Corporation.

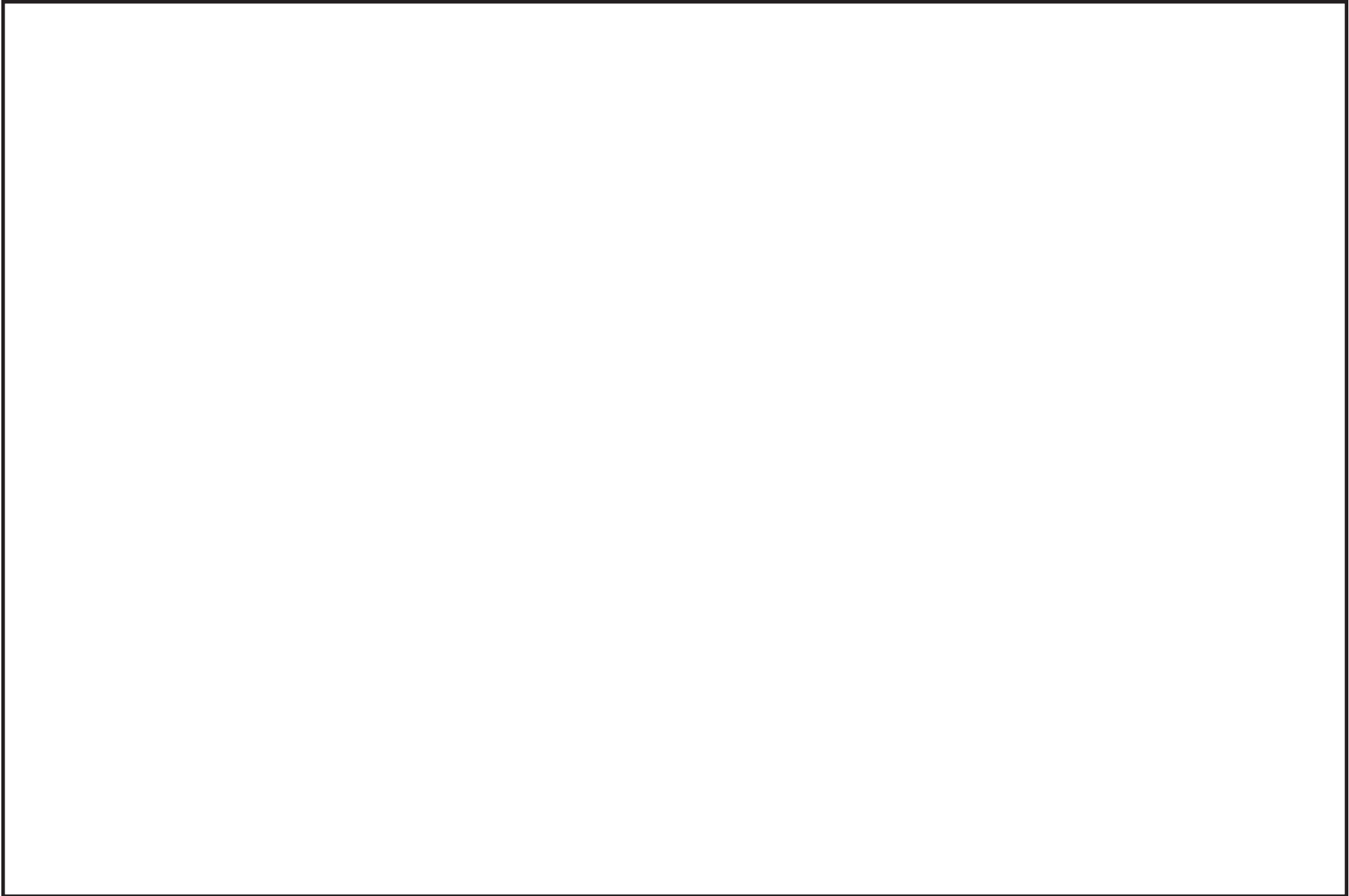


TABLE OF CONTENTS

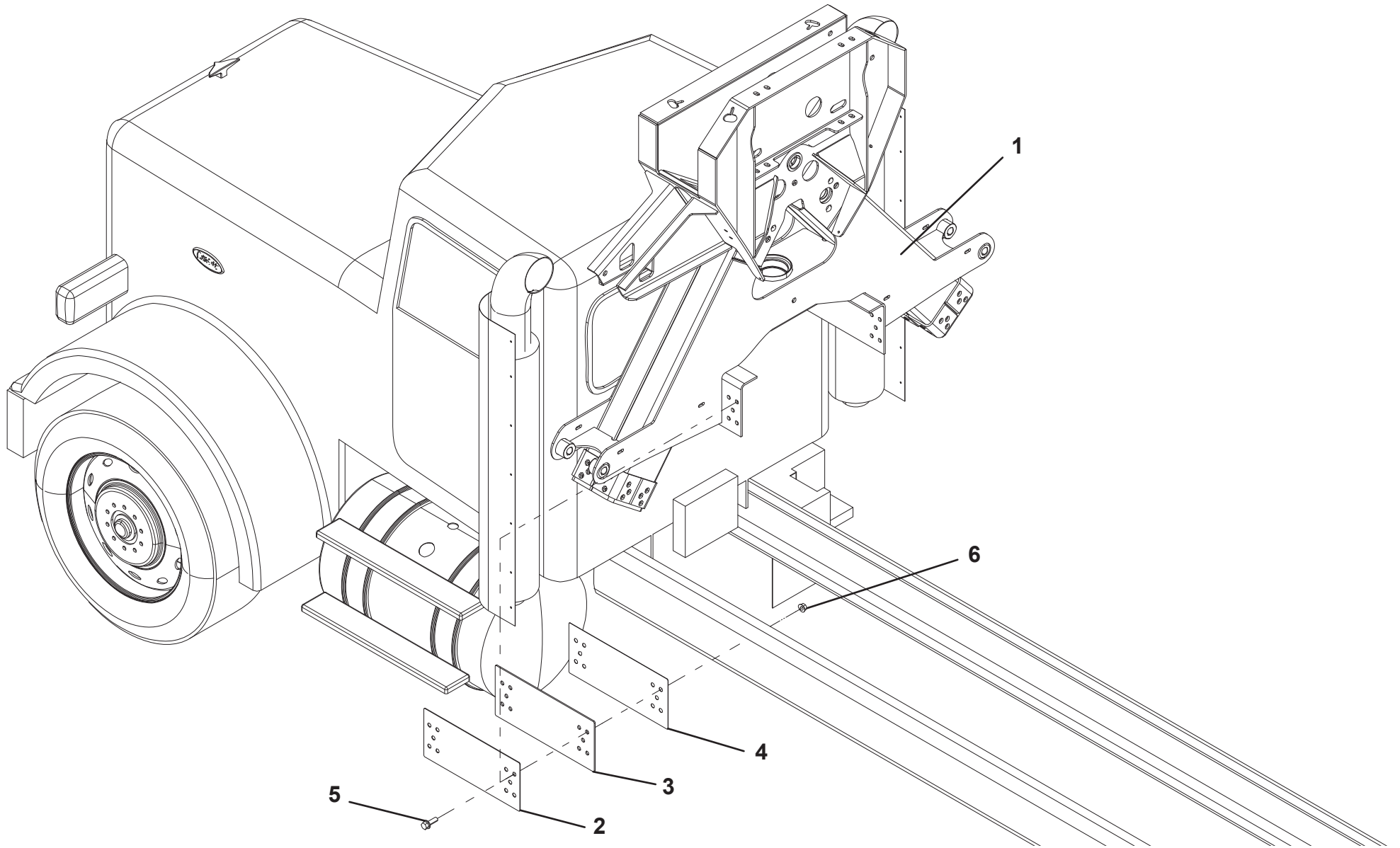
SRS Frame Installation.....	6
Boom Assembly.....	8
Boom Cylinder Assembly - 3320000232.....	10
Stabilizer Installation.....	12
Stabilizer Cylinder Assembly - 3320000233.....	14
Winch Installation.....	16
Sheave Assembly - 2249000020.....	18
DP Winch 25K - 7970000163 - Motor End Installation.....	20
DP Winch 25K - 7970000163 - Drum Installation.....	22
DP Winch 25K - 7970000163 - Gear End Installation.....	24
DP Winch 25K - 7970000163 - Input Shaft.....	26
DP Winch 25K - 7970000163 - Base Mount Installation.....	28
DP Winch 25K - 7970000163 - Cable Hold Down Kit.....	30
DP Winch 25K - 7970000163 - Gear End Cover Installation.....	32
DP Winch 35K - 7970000162 - Motor End Installation.....	34
DP Winch 35K - 7970000162 - Drum Installation.....	36
DP Winch 35K - 7970000162 - Gear End Installation.....	38
DP Winch 35K - 7970000162 - Input Shaft.....	40
DP Winch 35K - 7970000162 - Base Mount Installation.....	42
DP Winch 35K - 7970000162 - Cable Hold Down Kit.....	44
DP Winch 35K - 7970000162 - Gear End Cover Installation.....	46
Hydraulic Installation.....	48
Valve Assembly - 3935000189.....	52
Toolbox Installation.....	54
Toolbox Assembly.....	56
Toolbox Assembly.....	58
Air Installation.....	60
Electrical Installation.....	62
Door Installation.....	64
Decals.....	66
Part Number Index.....	68

SRS FRAME INSTALLATION

ITEM	PART NO.	DESCRIPTION	QTY
1	3455000055	SRS Frame Weldment	1
2	4811001136*	Plate	2
3	4811001137*	Plate	2
4	4706005760*	Plate	2
5	7118221816	Capscrew, 0.75"-10NC x 2.25"	20
6	7660222308	Locknut, 0.75"-10NC	20

* Also Available In Shim Kit - 3577000129

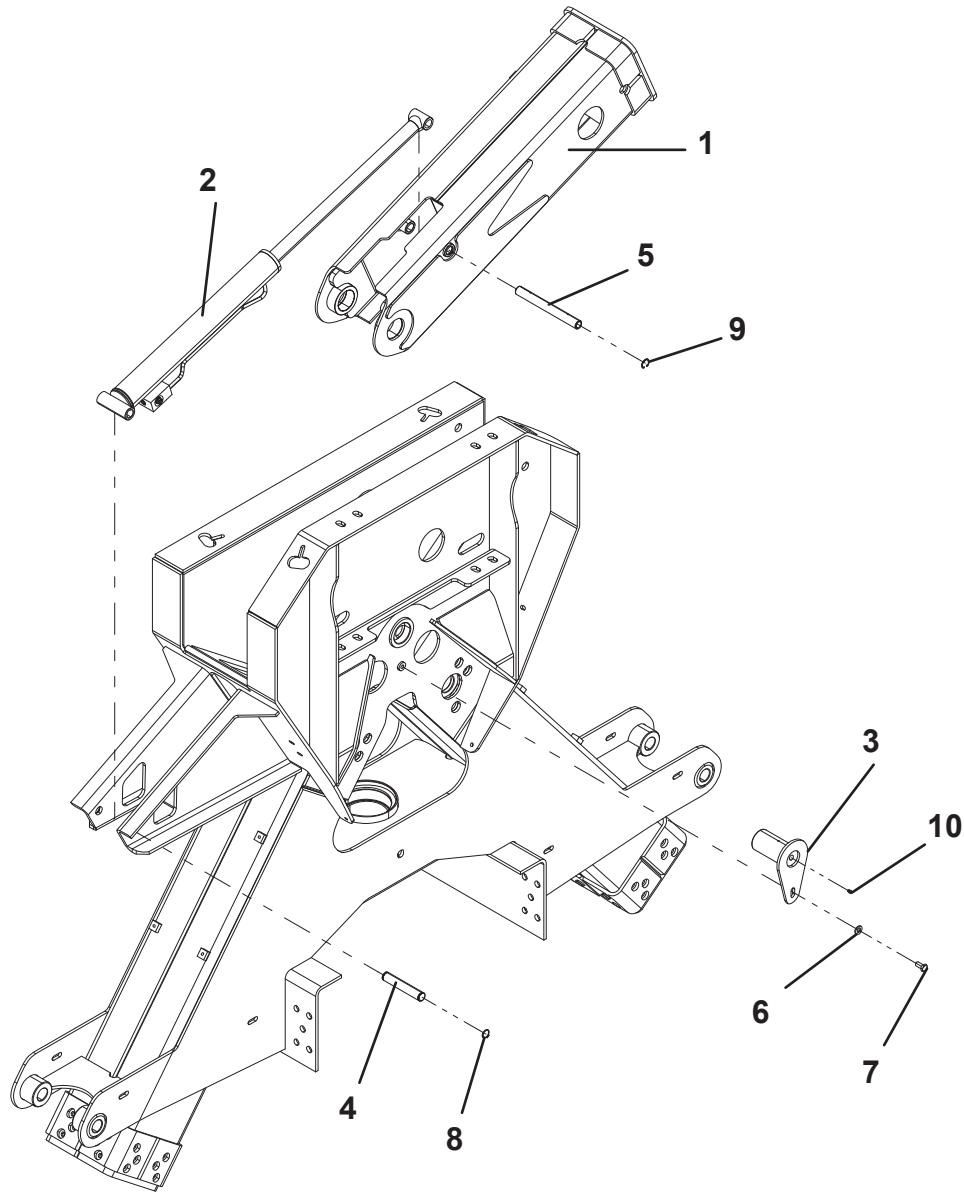
SRS FRAME INSTALLATION



BOOM ASSEMBLY

ITEM	PART NO.	DESCRIPTION	QTY
1	3170000448	Boom Weldment	1
2	3320000232	Cylinder	1
3	3691000262	Pin, Boom Pivot	2
4	4691000578	Pin	1
5	4691000574	Pin	1
6	7950180153	Flatwasher, 0.50" ID	2
7	7115180850	Capscrew, 0.50"-13NC x 1.00"	2
8	7754000019	Retaining Ring	2
9	7754000056	Snap Ring	2
10	7440030000	Grease Fitting	4

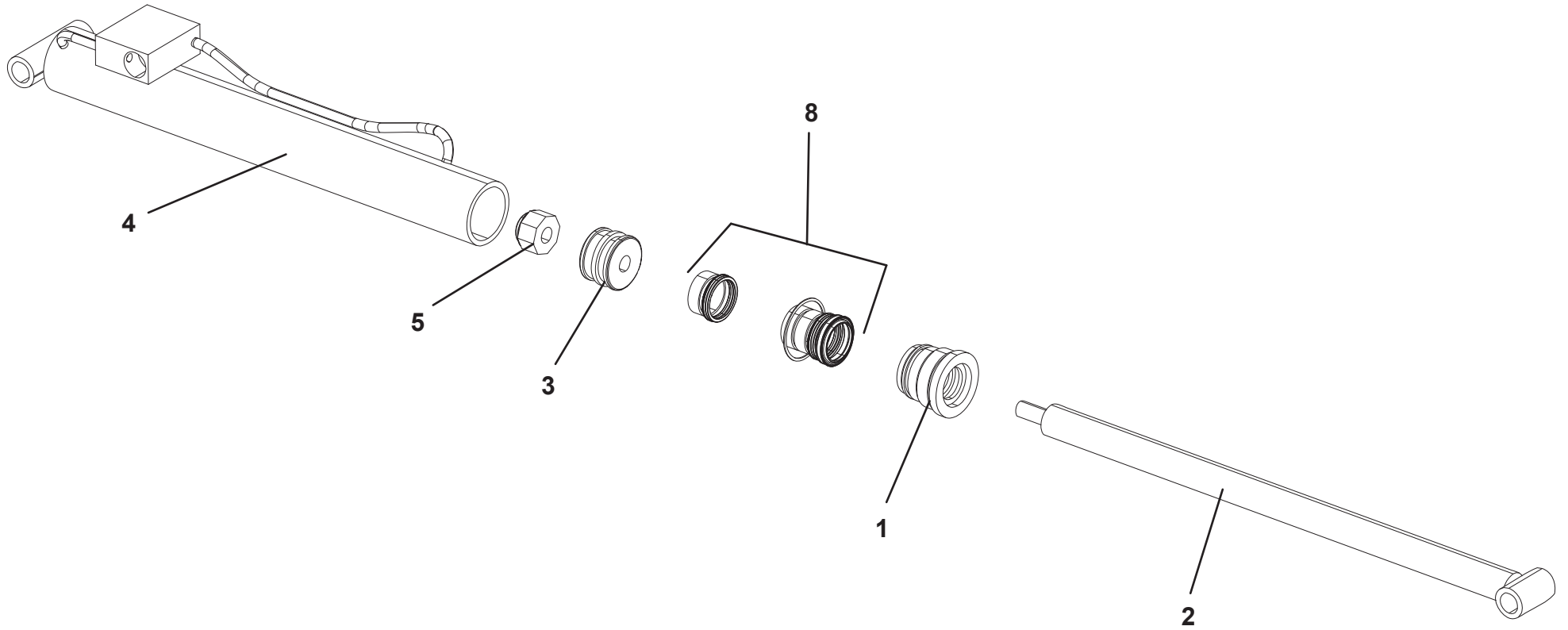
BOOM ASSEMBLY



BOOM CYLINDER ASSEMBLY - 3320000232

ITEM	PART NO.	DESCRIPTION	QTY
1	70051142	Cylinder Head	1
2	70051141	Rod Assembly	1
3	70051140	Piston	1
4	70051139	Barrel Assembly	1
5	70051138	Nut	1
6	70051137	Grease Fitting	2
7	9935930113	Valve	2
8	70051132	Seal Kit	1

BOOM CYLINDER ASSEMBLY - 3320000232

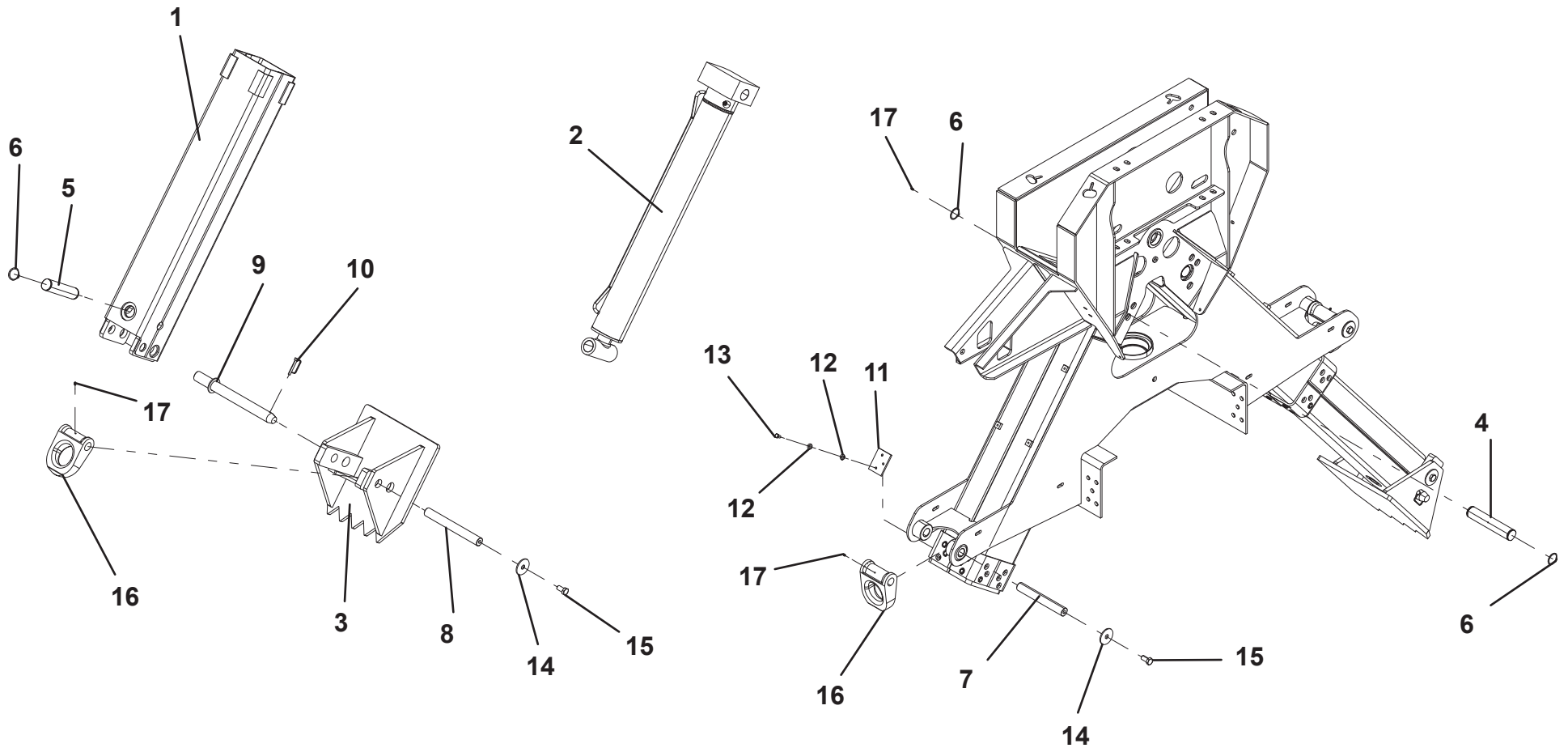


Part # 6 & 7 Not Shown

STABILIZER INSTALLATION

ITEM	PART NO.	DESCRIPTION	QTY
1	3263000133	Channel	2
2	3320000233	Cylinder	2
3	3706000366	Spade Foot	2
4	4691000576	Pin	2
5	4691000577	Pin	2
6	7754000048	Retaining Ring	8
7	4691000581	Pin	2
8	4691000582	Pin	2
9	3691000263	Pin	2
10	7691000025	Pin	2
11	4679000291	Pad	4
12	7950170142	Flatwasher, 0.44" ID	96
13	7118170650	Capscrew, 0.44"-14NC x 0.75"	48
14	7949000018	Washer	8
15	7115221250	Capscrew, 0.75"-10NC x 1.50"	8
16	4754000004	D-Ring	4
17	7440030000	Grease Fitting	6

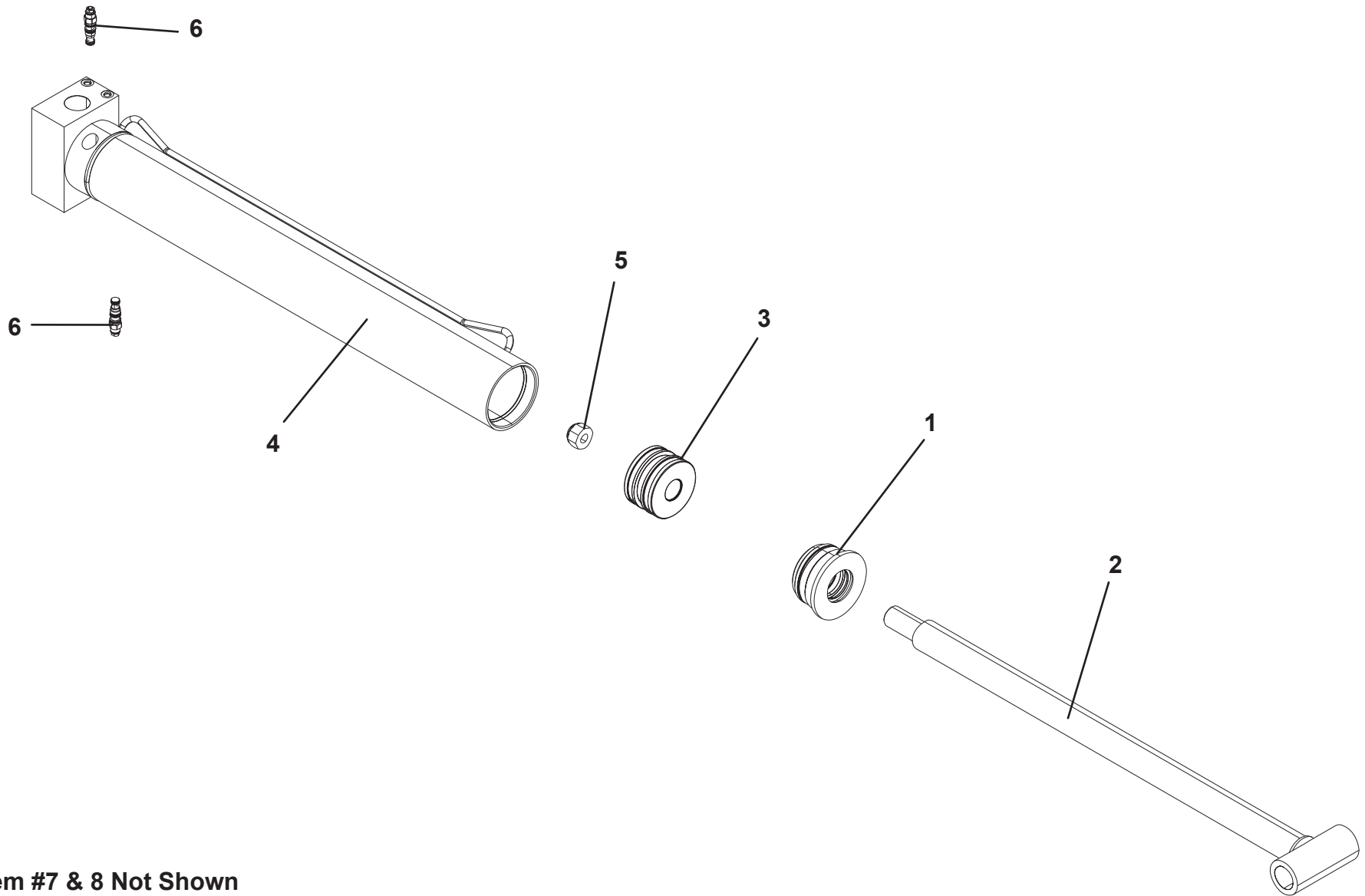
STABILIZER INSTALLATION



STABILIZER CYLINDER ASSEMBLY - 3320000233

ITEM	PART NO.	DESCRIPTION	QTY
1	70051133	Cylinder Head	1
2	70051134	Rod Assembly	1
3	70051135	Piston	1
4	70051136	Barrel	1
5	70051131	Locknut	1
6	9935930113	Valve	2
7	70051137	Grease Fitting	1
8	70051132	Seal Kit	1

STABILIZER CYLINDER ASSEMBLY - 3320000233

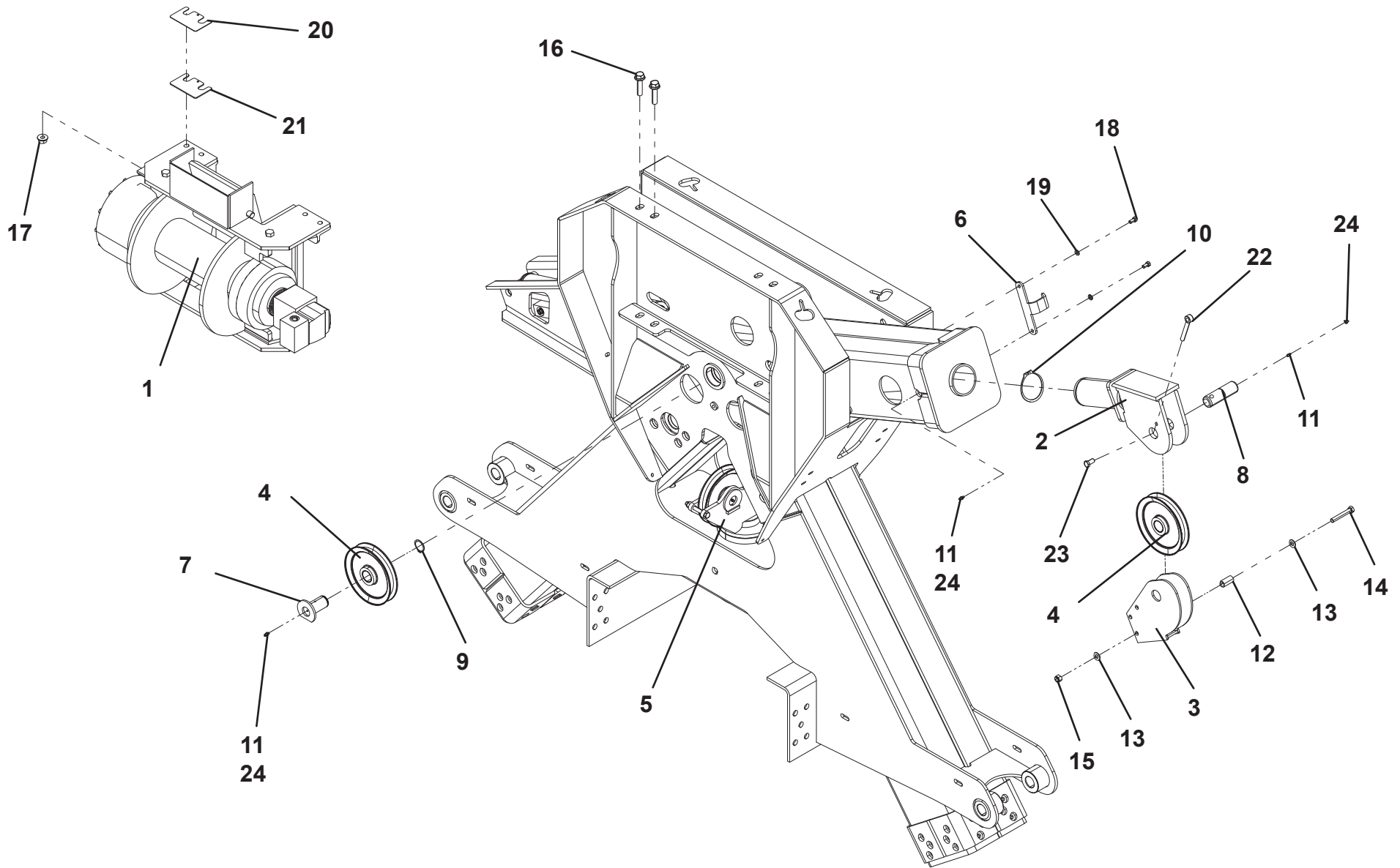


Item #7 & 8 Not Shown

WINCH INSTALLATION

ITEM	PART NO.	DESCRIPTION	QTY
1	7970000163	Winch DP25K	1
	7970000162	Winch DP35K	1
2	1001169617	Support	1
3	3249000043	Sheave Guide	1
4	7809000006	Sheave	3
5	2249000020	Sheave Assembly	1
6	4178000763	Bracket	1
7	3691000261	Pin	2
8	1001169893	Pin	1
9	7754000058	Retaining Ring	2
10	7754000049	Retaining Ring	1
11	7440030000	Grease Fitting	4
12	4831000104	Spacer	3
13	7950180141	Flatwasher, 0.50" ID	6
14	7115182650	Capscrew, 0.50"-13NC x 3.25"	3
15	7660182601	Locknut, 0.50"-13NC	3
16	7118202016	Bolt, 0.63"-11NC x 2.50"	8
17	7661000018	Nut, 0.63"-11NC	8
18	7115160650	Bolt, 0.38"-16NC x 2.00"	2
19	7950160000	Lockwasher, 0.38" ID	2
20	4812000103	Shim	2
21	4812000104	Shim	2
22	3841203	Keeper Rod	1
23	7115180850	Capscrew, 0.50"-13NC x 1.00"	1
24	7253000002	Grease Fitting Cap	4
25	3248000001	Cable, 0.625" x 200'	1
	3248000002	Cable, 0.625" x 250'	1
	3248000003	Cable, 0.75" x 200'	1

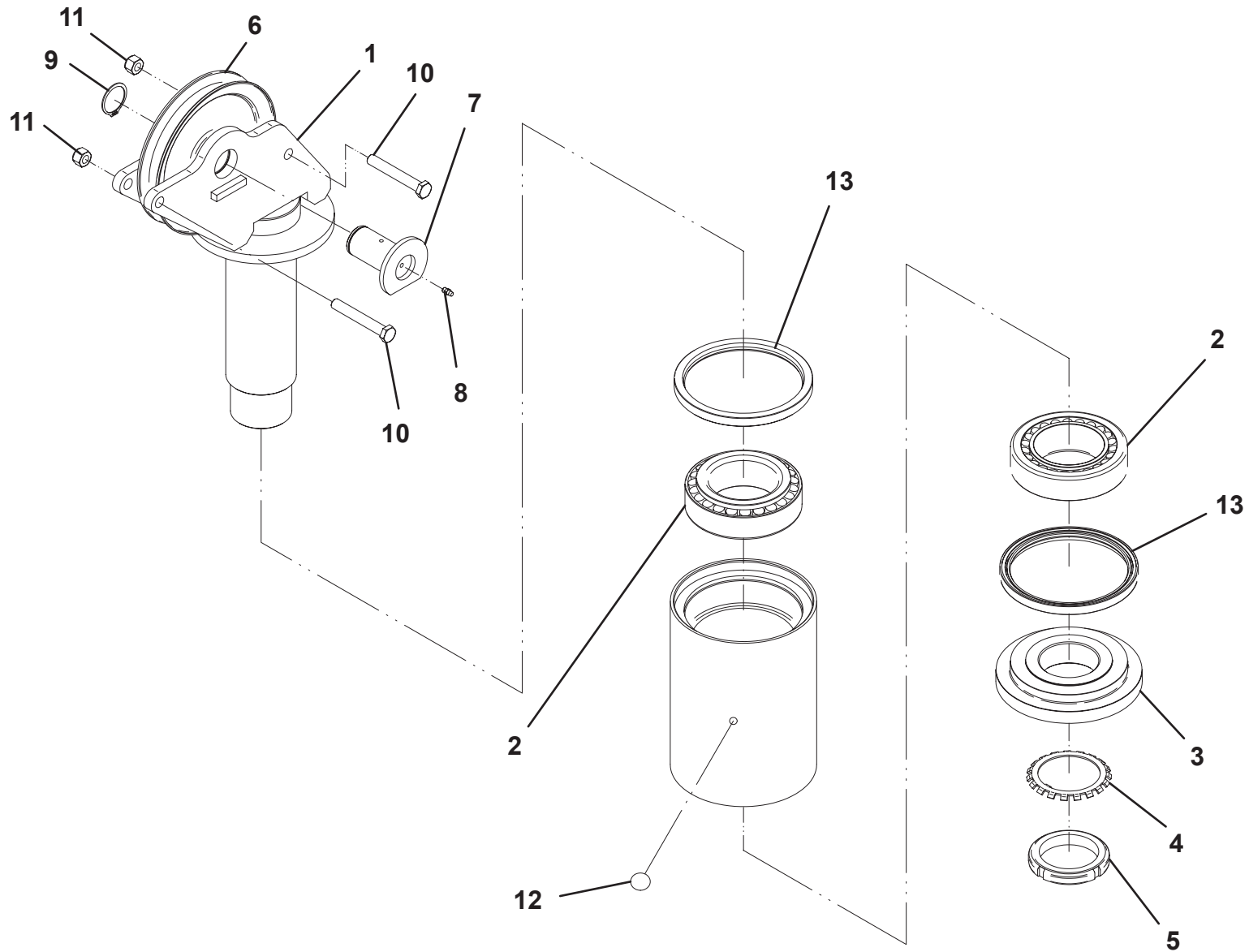
WINCH INSTALLATION



SHEAVE ASSEMBLY - 2249000020

ITEM	PART NO.	DESCRIPTION	QTY
1	3249000045	Sheave Pivot Support	1
2	7082000040	Bearing	2
3	4661000008	Nut	1
4	7949000040	Lockwasher	1
5	7661000061	Locknut	1
6	7809000006	Sheave	1
7	3691000261	Pin	1
8	7440030000	Grease Fitting	1
9	7754000058	Retaining Ring	1
10	7115182850	Capscrew, 0.50"-12NC x 3.50"	2
11	7660182601	Locknut, 0.50"-13NC	2
12	7444010011	Plug	1
13	7796000098	Seal	2

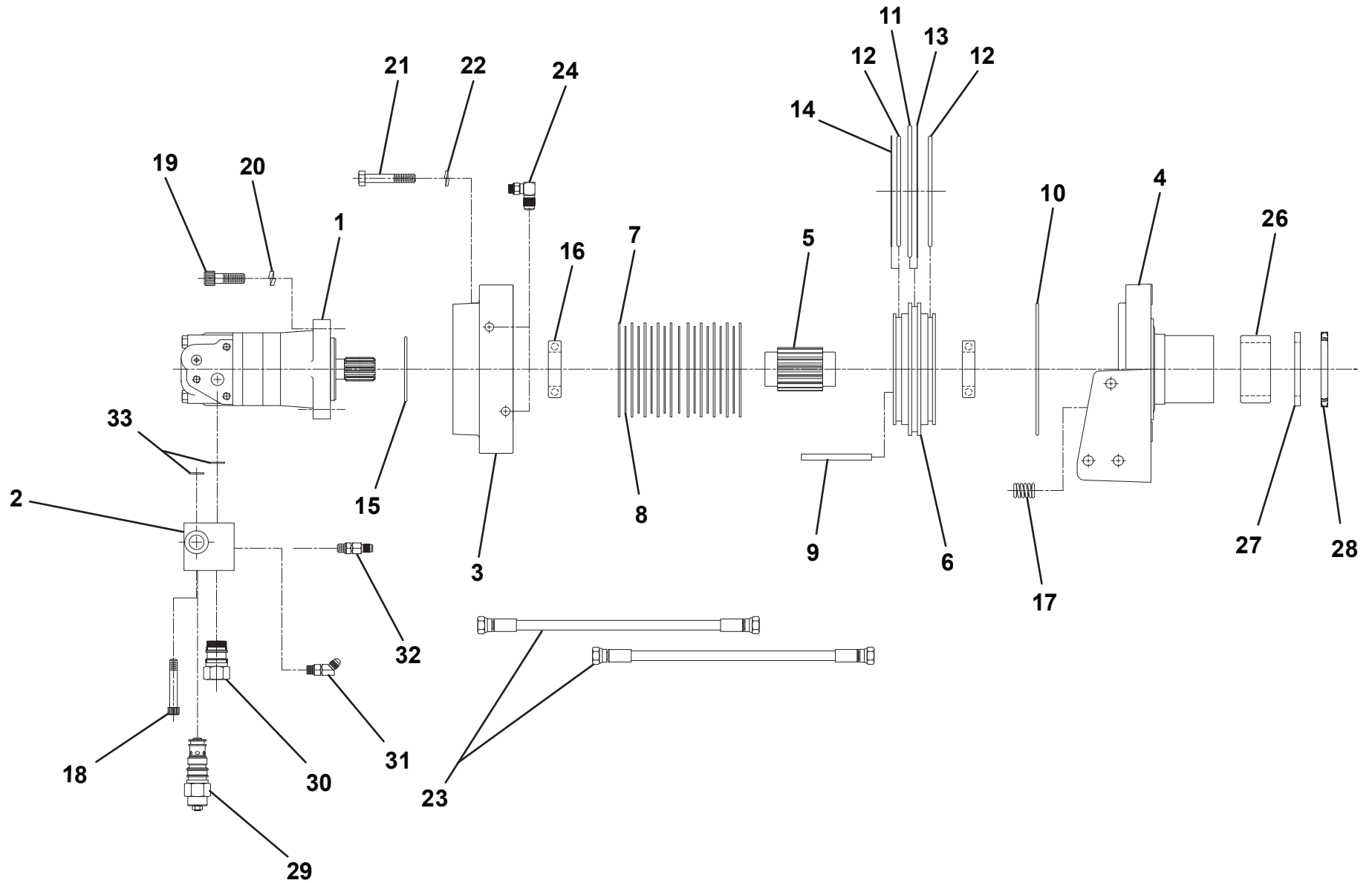
SHEAVE ASSEMBLY - 2249000020



DP WINCH 25K - 7970000163 - MOTOR END INSTALLATION

ITEM	PART NO.	DESCRIPTION	QTY	ITEM	PART NO.	DESCRIPTION	QTY
1	9626960013	Motor - Hydraulic	1	31	7445040446	Fitting, Swivel Adapter 45 Degree	1
2	9935960027	Valve - Counterbalance	1	32	9443960006	Fitting, Straight Adapter	1
3	9571960006	Brake - Housing	1	33	9796960088	O-Ring - 0.81" I. x 0.09" Section	2
4	9177960004	Support - Motor End	1				
5	9806960019	Shaft - Brake	1				
6	9698960008	Piston - Brake	1				
7	NSS	Plate - Disc - Friction (Sold Only in Kit #9577960139)	10				
8	NSS	Plate - Drive - Brake (Sold Only in Kit #9577960139)	9				
9	9691960021	Pin - Dowel - 0.31" Dia. x 3.50"	2				
10	NSS	O-Ring - 7.00" OD x 6.75" ID (Sold Only in Kit #9577960120)	1				
11	NSS	O-Ring - 6.84" OD x 6.50" ID (Sold Only in Kit #9577960120)	1				
12	NSS	O-Ring - 5.38" OD x 5.00" ID (Sold Only in Kit #9577960120)	2				
13	NSS	Ring - Back-Up - 6.25" ID (Sold Only in Kit #9577960120)	1				
14	NSS	Ring - Back-Up - 5.278" ID (Sold Only in Kit #9577960120)	1				
15	9796960090	O-Ring - 3.00" OD x 2.75" ID	1				
16	9082960013	Ball - Bearing - 1.75" ID	2				
17	NSS	Spring - Compression 0.75" (Sold Only in Kit (577960139)	12				
18	7118162005	Capscrew, 0.38"-16NC x 2.50"	3				
19	7118181205	Capscrew, 0.50"-13NC x 1.50" Socket Head GR 8	2				
20	7950180800	Lockwasher, 0.50" ID	2				
21	7118172050	Capscrew, 0.44"-14NC x 2.50" GR 8	6				
22	7950170000	Lockwasher, 0.44" ID	6				
23	9570960001	Hose, 0.25 Dia	2				
24	7445040445	Fitting, Swivel Adapter 90 Degree	2				
25	70050401	Tag - Warning (Not Shown on Drawing)	1				
26	9082960018	Bearing - Roller - Torrington	1				
27	9949960028	Washer - Thrust - Nylon - 3.81 x .406	1				
28	9796960121	Seal - Shaft - 3.12" ID x 4" OD x 0.38 Thick	1				
29	9935960026	Cartridge - Counterbalance	1				
30	9701960013	Plug - Assembly - Valve - Counterbalance	1				

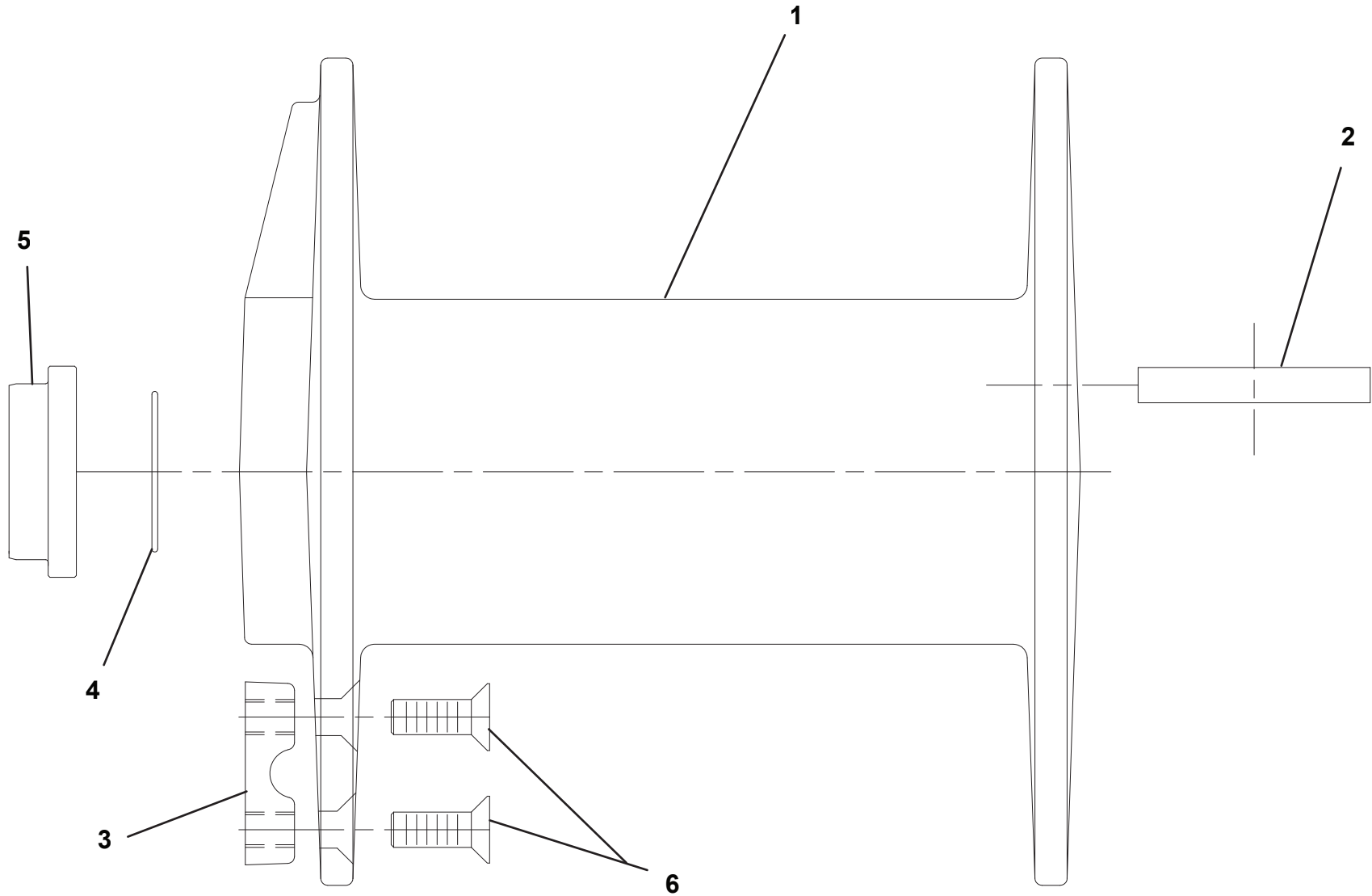
DP WINCH 25K - 7970000163 - MOTOR END INSTALLATION



DP WINCH 25K - 7970000163 - DRUM INSTALLATION

ITEM	PART NO.	DESCRIPTION	QTY
1	9970960020	Drum	1
2	9575960012	Key - Drum	2
3	9280960002	Clip - Cable	1
4	9796960089	O-Ring - 2 3/4 ID x 3 OD x 1/8	1
5	9831960018	Spacer	1
6	7110201423	Capscrew Flathead - 0.63"-11NC X 1.75"	2

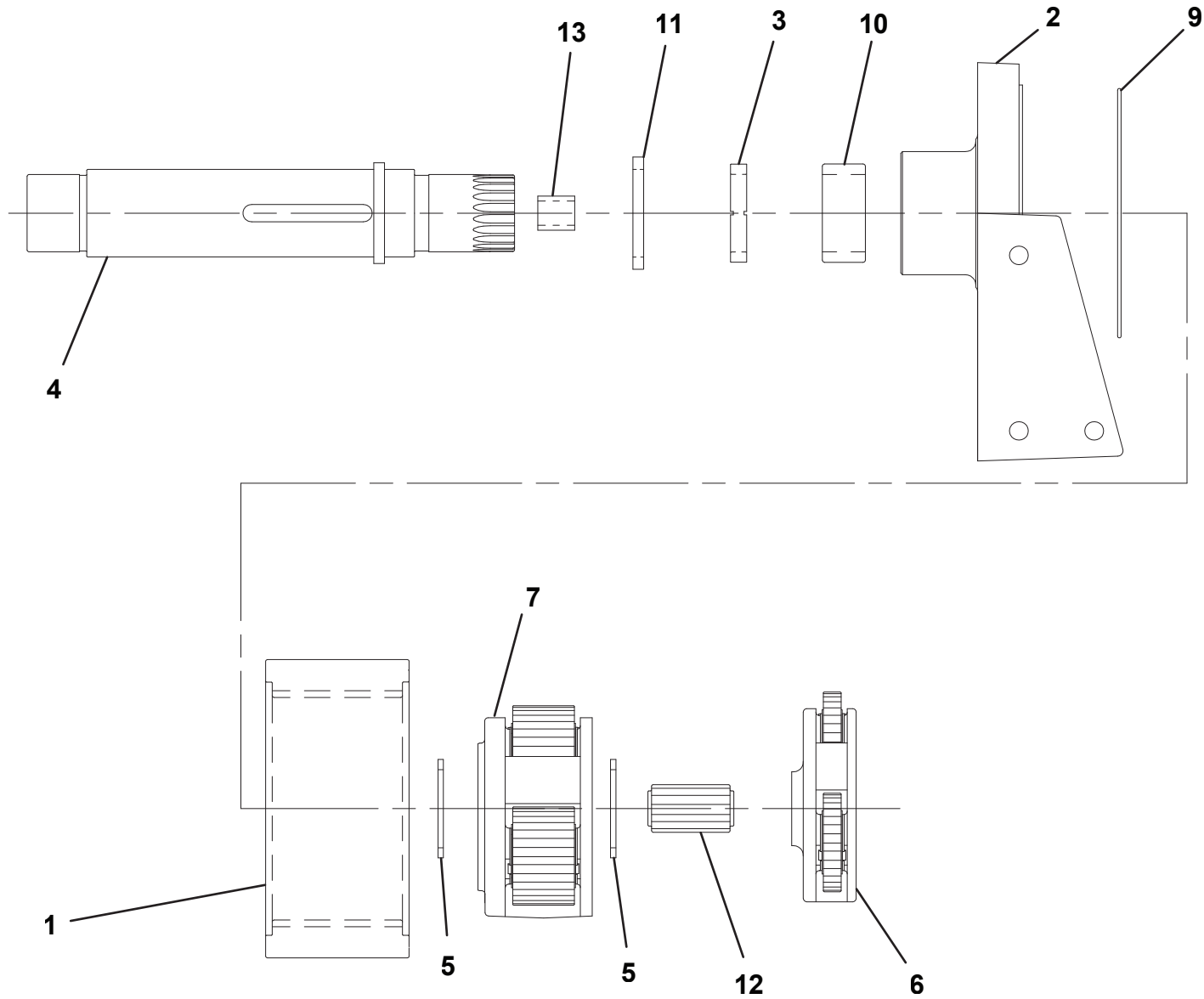
DP WINCH 25K - 7970000163 - DRUM INSTALLATION



DP WINCH 25K - 7970000163 - GEAR END INSTALLATION

ITEM	PART NO.	DESCRIPTION	QTY
1	70050991	Gear - Ring	1
2	9177960003	Support - Gear End	1
3	9949960028	Washer - Thrust - Nylon - 3.81 x .406	1
4	9806960021	Shaft - Output	1
5	9949960027	Washer - Thrust- Nylon - 3.50" OD x 0.18"	2
6	9472960052	Assembly - Carrier - Planetary - Primary	1
7	70050992	Carrier - Assembly - Secondary	1
8	9330960006	Label - Warning (Not Shown on Drawing)	1
9	9796960120	O-Ring - 8.75" ID x .012" Section	1
10	9082960018	Bearing - Roller - Torrington	1
11	9796960121	Seal - Shaft - 3.12" ID x 4" OD x 0.38 Thick	1
12	70050993	Gear - Sun - 15 Teeth	1
13	9209960025	Bushing - 1.00" ID x 1.25" OD x 1.00" LG	1

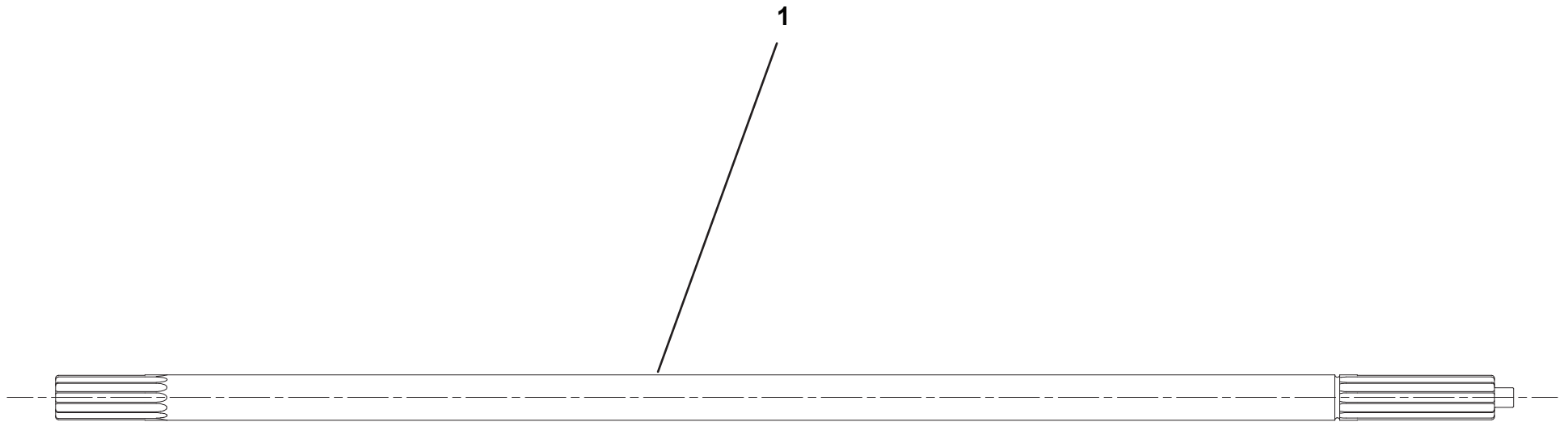
DP WINCH 25K - 7970000163 - GEAR END INSTALLATION



DP WINCH 25K - 7970000163 - INPUT SHAFT

ITEM	PART NO.	DESCRIPTION	QTY
1	70050994	Input - Shaft	1

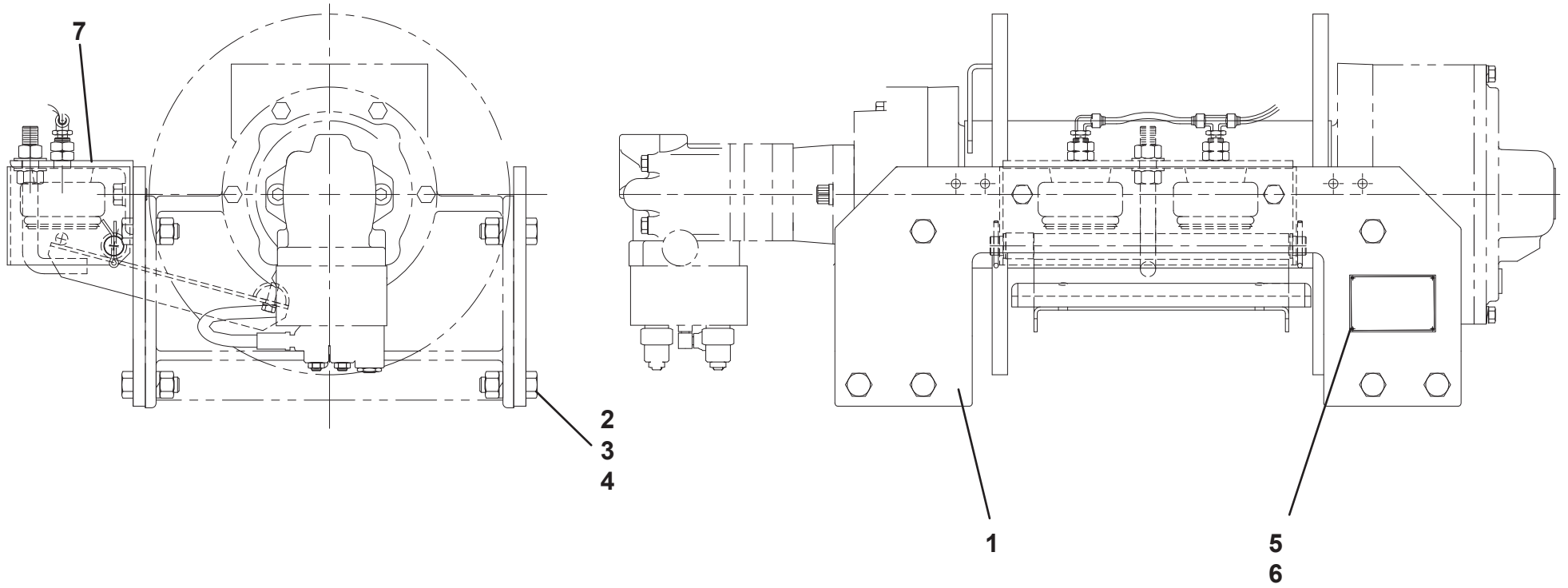
DP WINCH 25K - 7970000163 - INPUT SHAFT



DP WINCH 25K - 7970000163 - BASE MOUNT INSTALLATION

ITEM	PART NO.	DESCRIPTION	QTY
1	9073960003	Base Mount	2
2	7115201850	Capscrew 0.63"-11NC x 2.25" Hex	4
3	7660200001	Nut .63"-11NC GR5 Hex - Plated	12
4	7950200000	Lockwasher .63" Nom Reg CS	12
5	70050147	Rivet - Type - U (Not Shown on Drawing)	4
6	70050384	Plate - ID - Winch (Not Shown on Drawing)	1
7	70050398	Kit - Cable Hold Down	1
8	9073960004	Base Mount	2
9	7115202250	Capscrew, 0.63"-11NC x 2.75" Hex Head	8

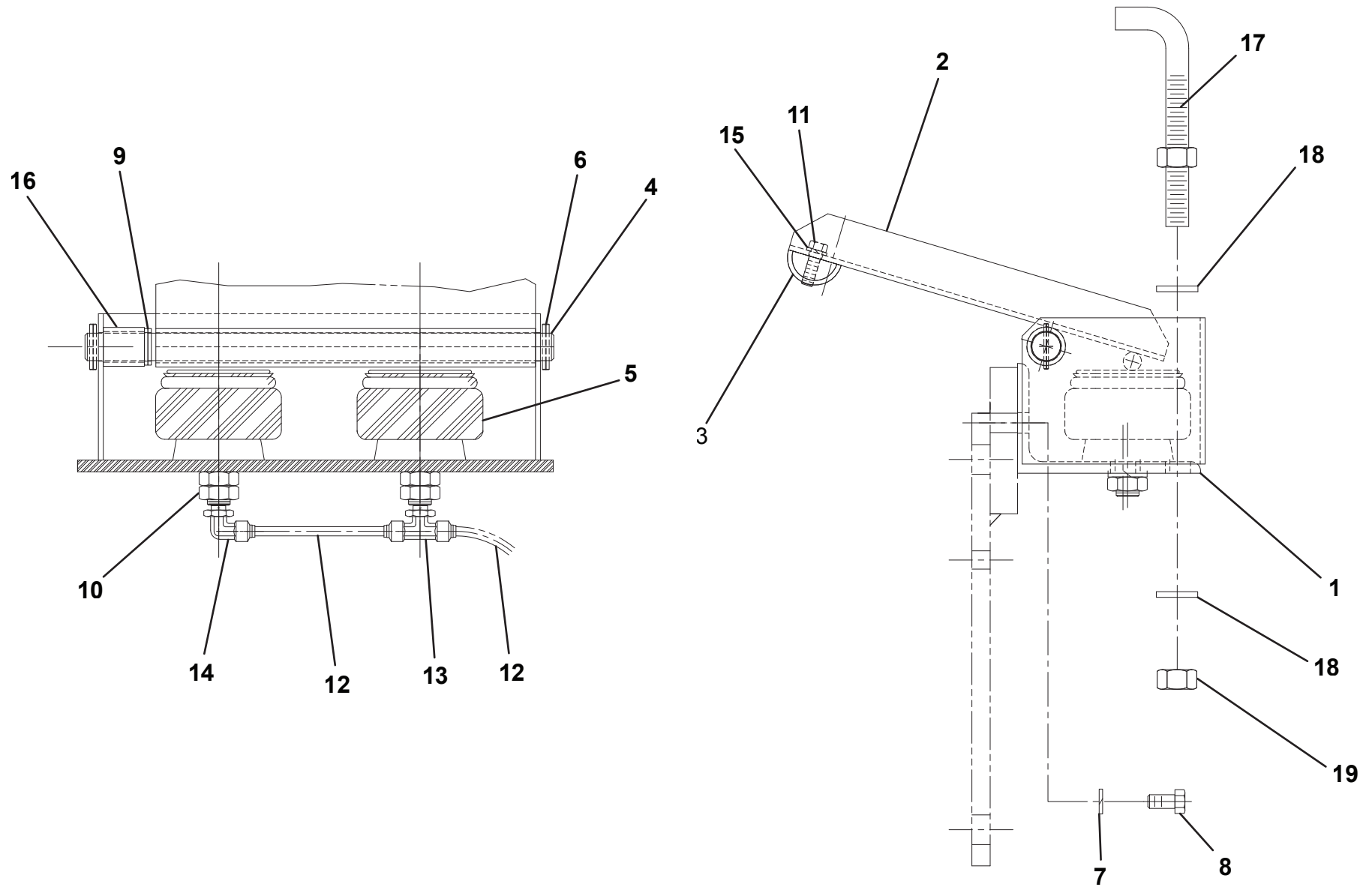
DP WINCH 25K - 7970000163 - BASE MOUNT INSTALLATION



DP WINCH 25K - 7970000163 - CABLE HOLD DOWN KIT

ITEM	PART NO.	DESCRIPTION	QTY
1	9178960011	Bracket - Mounting	1
2	9020960002	Arm - Pivot	1
3	9064960007	Bar - Rub - 1.50" - Half Round	1
4	9691960019	Pin, Pivot	1
5	9843960023	Spring - Cushion - Air - Goodyear	2
6	9690960039	Pin, Cotter 0.19" x 1.50"	2
7	9950180000	Lockwasher, 0.59" ID Nom Reg	2
8	7115181650	Capscrew, 0.50"-13NC x 2.00"	2
9	9949960012	Washer - Thrust	2
10	7660200200	Nut, 0.63"-11NC Hex Jam	4
11	9120960063	Capscrew, 0.31"-18NC x 1.00"	2
12	9912960010	Tubing - Nylon - 0.25" OD	3
13	7443000205	Adapter - Tee - Branch	3
14	7443000204	Adapter - 90 Degree	1
15	9949960050	Lockwasher, 0.31" ID	2
16	9831960009	Spacer - Pin - 1.12"	1
17	9120960019	Bolt - Anchor	1
18	7950200151	Flatwasher, 0.63" ID	2
19	7660200001	Nut .63"-11NC GR5 Hex - Plated	1

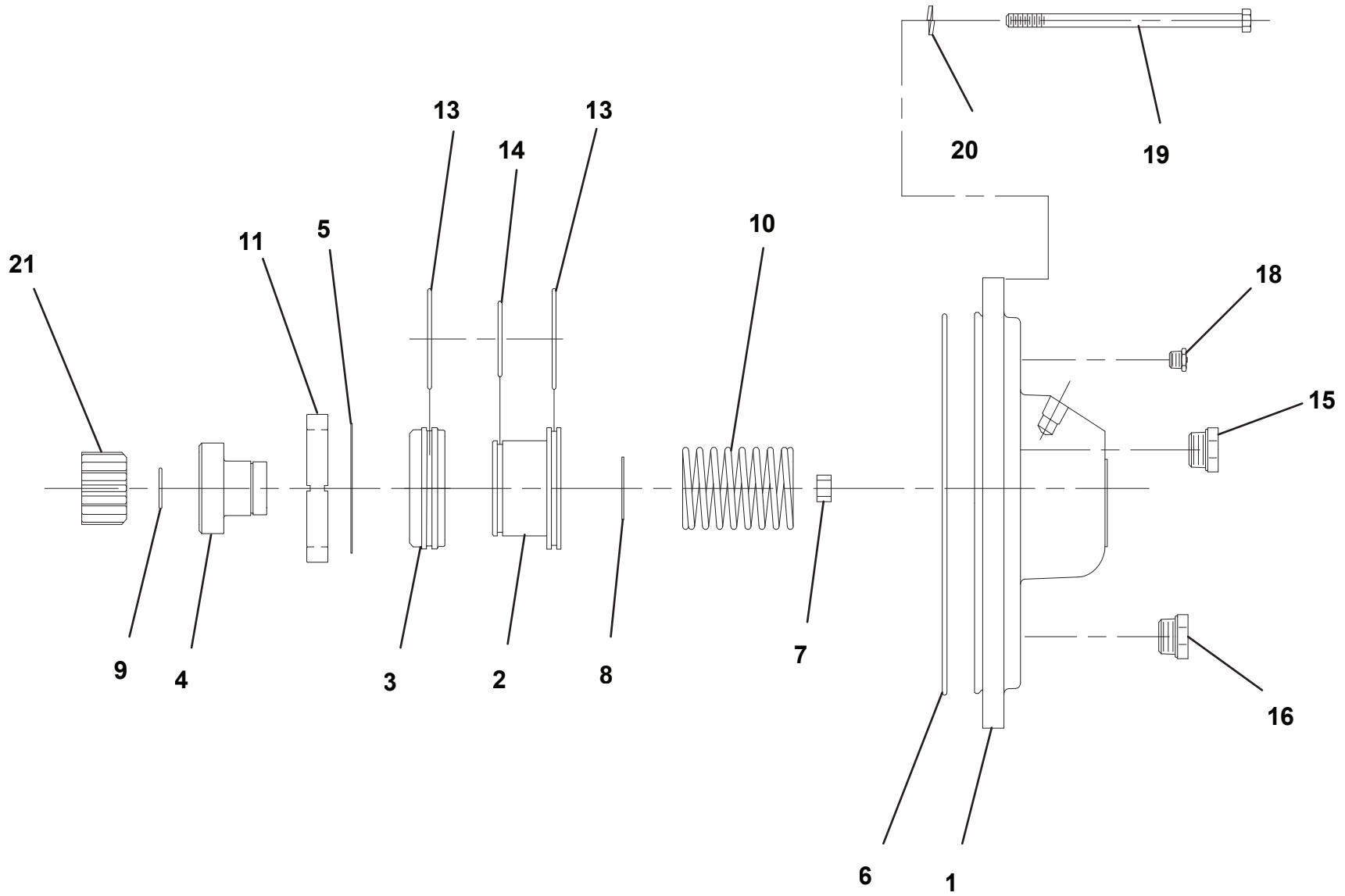
DP WINCH 25K - 7970000163 - CABLE HOLD DOWN KIT



DP WINCH 25K - 7970000163 - GEAR END COVER INSTALLATION

ITEM	PART NO.	DESCRIPTION	QTY
1	9314960022	Cover - Gear End	1
2	9698960016	Piston - AKO B/C/D	1
3	9698960015	Cylinder - Piston	1
4	9309960011	Coupling - Drive	1
5	9754960026	Ring - Retainer - Round Section - 3.00" OD x 3.40	1
6	9796960120	O-Ring - 8.75" ID x .012" Section	1
7	9209960026	Bushing - Bronze - 0.63" ID x 0.38" OD x 0.38"	1
8	9754960046	Ring - Retainer - 1.25" x 0.05 Thick	1
9	9754960047	Ring - Retainer - 0.88" x 0.08" - Round Section	1
10	9843960032	Spring - Compression	1
11	9949960028	Washer - Thrust - Nylon - 3.81 x .406	1
13	9796960119	O-Ring - 2.63" ID x 0.13" Section	2
14	9796960118	O-Ring - 2.13"ID x 2.38" OD Section	1
15	9701960011	Plug - O-Ring Boss - #10 Socket Head - 0.88" - 14	1
15	70050998	O-Ring - Ravine - 1.25"	1
16	9701960012	Plug- Socket Head - Boss - O-Ring #10	1
16	70050998	O-Ring - Ravine - 1.25"	1
17	9701960018	Caplug - #4 Red - 0.25" NPT (Not Shown on Drawing)	1
18	9183960001	Vent - Relief	1
19	70050995	Capscrew, 0.38"-16NC x 5.50" GR 8	12
20	7950160000	Lockwasher 0.38" ID - Plated	12
21	9472960054	Gear - Sun - 15 Teeth	1

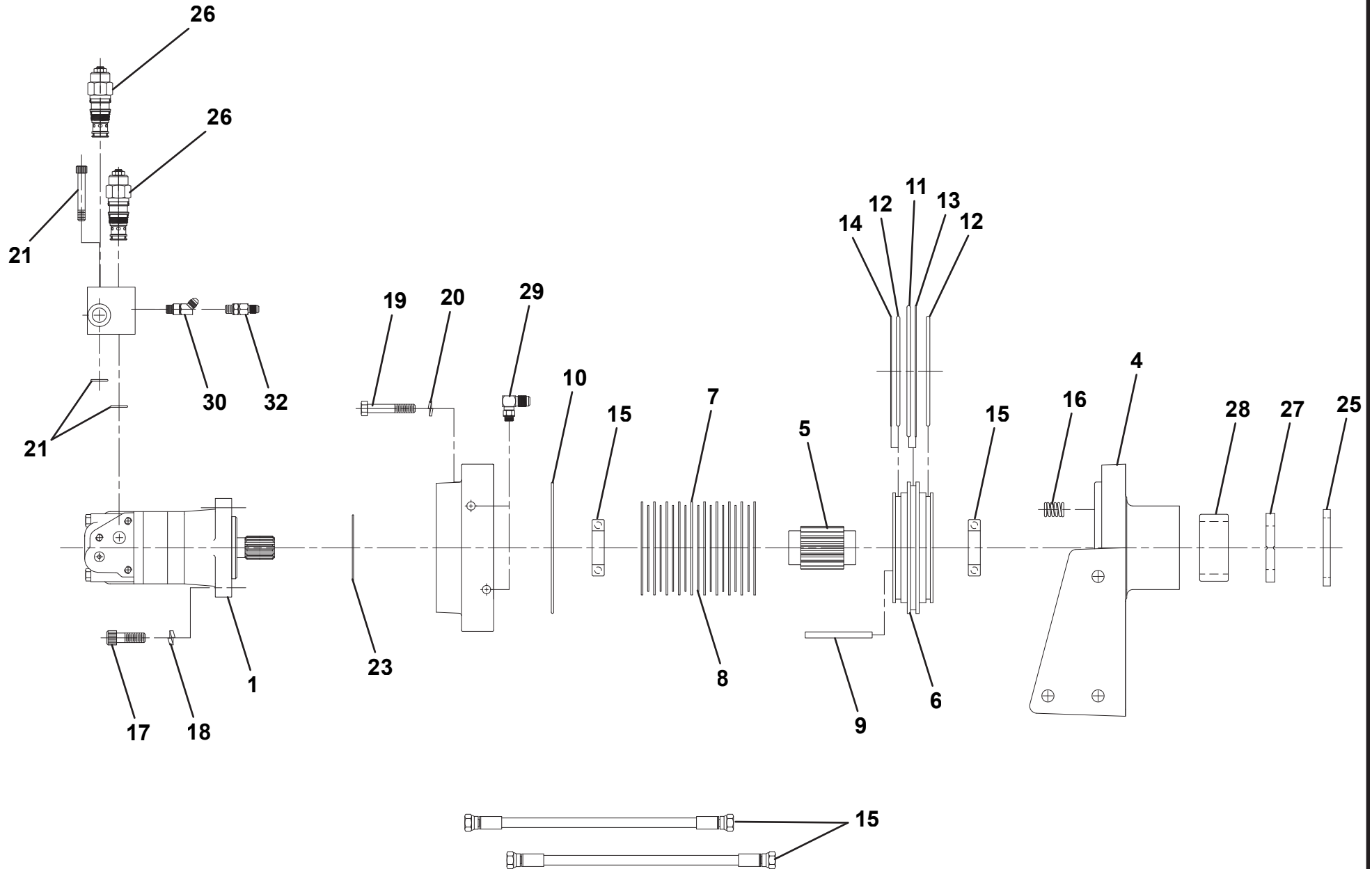
DP WINCH 25K - 7970000163 - GEAR END COVER INSTALLATION



DP WINCH 35K - 7970000162 - MOTOR END INSTALLATION

ITEM	PART NO.	DESCRIPTION	QTY	ITEM	PART NO.	DESCRIPTION	QTY
1	9626960018	Motor - Hydraulic	1	31	9443960006	Fitting, Straight Adapter	1
2	9935960027	Valve - Counterbalance	1	32	9796960088	O-Ring - 0.81" I. x 0.09" Section	2
3	9571960006	Brake - Housing	1				
4	9177960004	Support - Motor End	1				
5	9806960019	Shaft - Brake	1				
6	9698960008	Piston - Brake	1				
7	NSS	Plate - Disc - Friction (Sold Only in Kit #9577960139)	10				
8	NSS	Plate - Drive - Brake (Sold Only in Kit #9577960139)	9				
9	9691960021	Pin - Dowel - 0.31" Dia. x 3.50"	2				
10	NSS	O-Ring - 7.00" OD x 6.75" ID (Sold Only in Kit #9577960120)	1				
11	NSS	O-Ring - 6.50" OD x 6.12" ID (Sold Only in Kit #9577960120)	1				
12	NSS	O-Ring - 5.38" OD x 5.00" ID (Sold Only in Kit #9577960120)	2				
13	NSS	Ring - Back-Up - 6.25" ID (Sold Only in Kit #9577960120)	1				
14	NSS	Ring - Back-Up - 5.278" ID (Sold Only in Kit #9577960120)	1				
15	9082960013	Ball - Bearing - 1.75" ID	2				
16	NSS	Spring - Compression 0.75" (Sold Only in Kit (577960139)	12				
17	7118181205	Capscrew, 0.50"-13NC x 1.50" Socket Head GR 8	2				
18	7950180800	Lockwasher, 0.50" ID	2				
19	7118172050	Capscrew, 0.44"-14NC x 2.50" GR 8	6				
20	7950170000	Lockwasher, 0.44" ID	6				
21	7118162005	Capscrew, 0.38"-16NC x 2.50"	3				
22	9570960001	Hose, 0.25 Dia	2				
23	9796960090	O-Ring - 3.00" OD x 2.75" ID	1				
24	70050401	Tag - Warning (Not Shown on Drawing)	1				
25	9796960121	Seal - Shaft - 3.12" ID x 4" OD x 0.38 Thick	1				
26	9935960026	Cartridge - Counterbalance	2				
27	9949960028	Washer - Thrust - Nylon - 3.81 x .406	1				
28	9082960018	Bearing - Roller - Torrington	1				
29	7445040445	Fitting, Swivel Adapter 90 Degree	2				
30	7445040446	Fitting, Swivel Adapter 45 Degree	1				

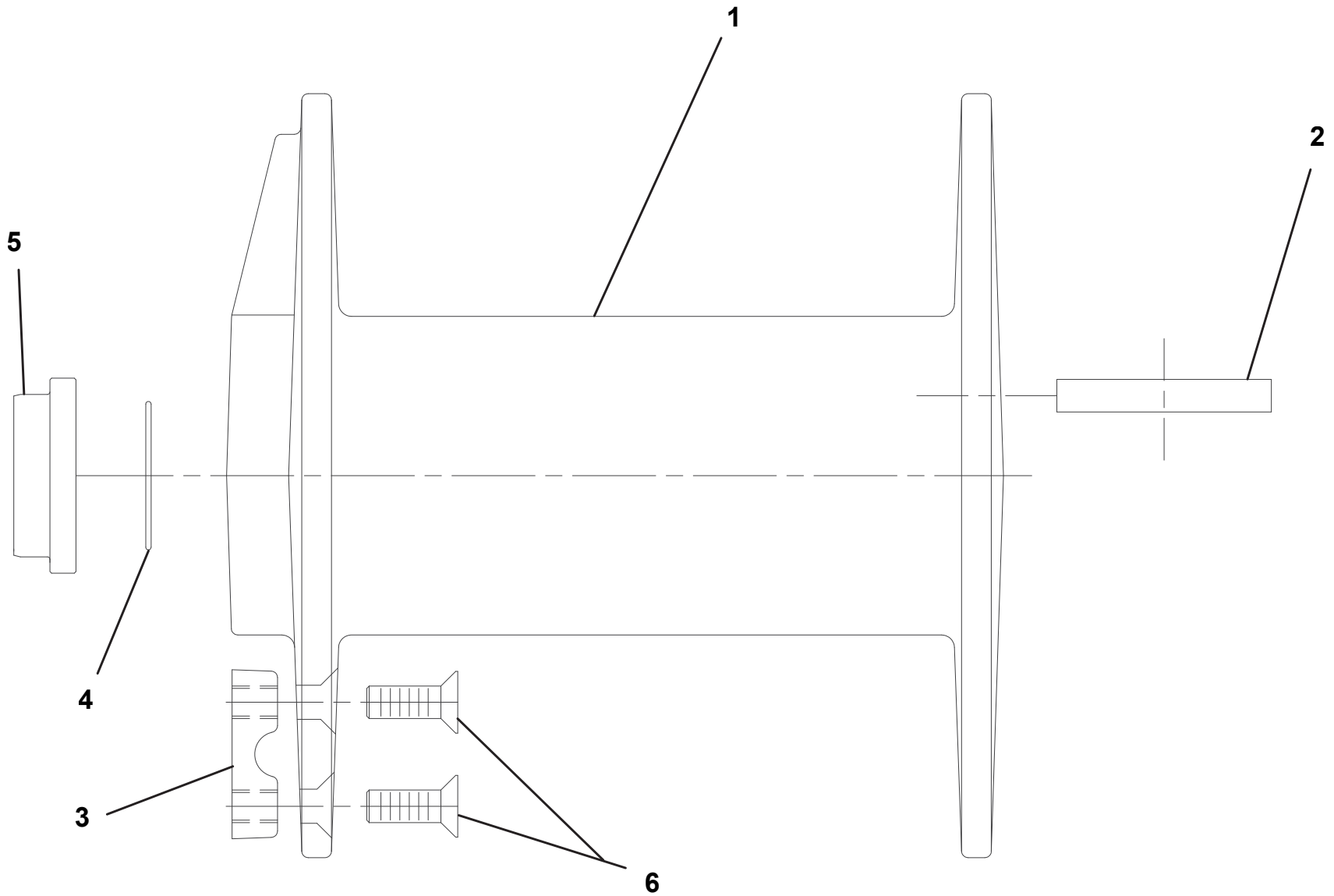
DP WINCH 35K - 7970000162 - MOTOR END INSTALLATION



DP WINCH 35K - 7970000162 - DRUM INSTALLATION

ITEM	PART NO.	DESCRIPTION	QTY
1	9970960020	Drum	1
2	9575960012	Key - Drum	2
3	9280960002	Clip - Cable	1
4	9796960089	O-Ring - 2 3/4 ID x 3 OD x 1/8	1
5	9831960018	Spacer	1
6	7110201423	Capscrew Flathead - 0.63"-11NC X 1.75"	2

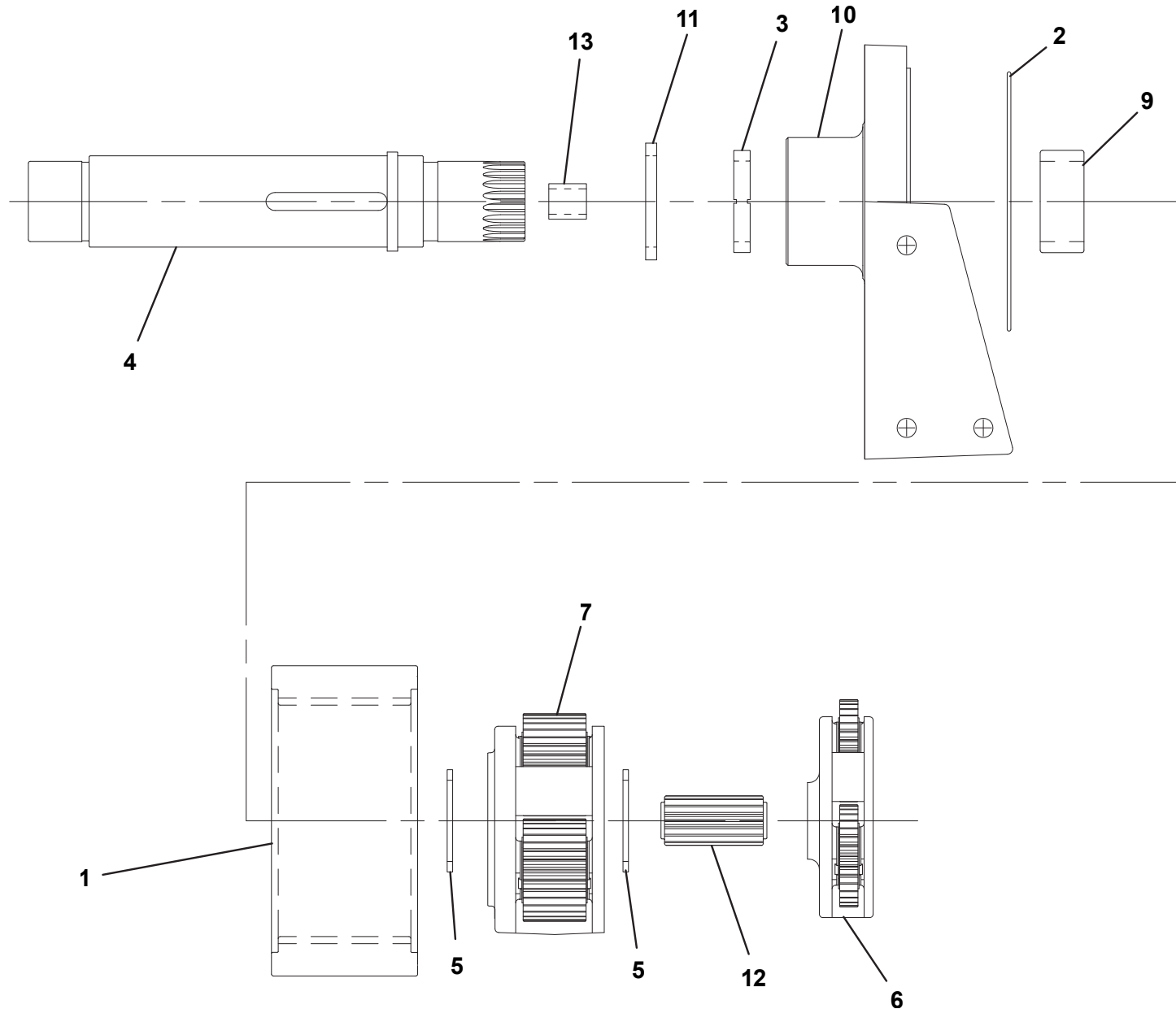
DP WINCH 35K - 7970000162 - DRUM INSTALLATION



DP WINCH 35K - 7970000162 - GEAR END INSTALLATION

ITEM	PART NO.	DESCRIPTION	QTY
1	9970280017	Gear - Ring	1
2	9177960003	Support - Gear End	1
3	9949960028	Washer - Thrust - Nylon - 3.81 x .406	1
4	9806960021	Shaft - Output	1
5	9949960027	Washer - Thrust- Nylon - 3.50" OD x 0.18"	2
6	9472960052	Assembly - Carrier - Planetary - Primary	1
7	9472960053	Carrier - Assembly - Secondary	1
8	9330960006	Label - Warning (Not Shown on Drawing)	1
9	9796960120	O-Ring - 8.75" ID x .012" Section	1
10	9082960018	Bearing - Roller - Torrington	1
11	9796960121	Seal - Shaft - 3.12" ID x 4" OD x 0.38 Thick	1
12	9472960055	Gear - Sun - 15 Teeth	1
13	9209960025	Bushing - 1.00" ID x 1.25" OD x 1.00" LG	1

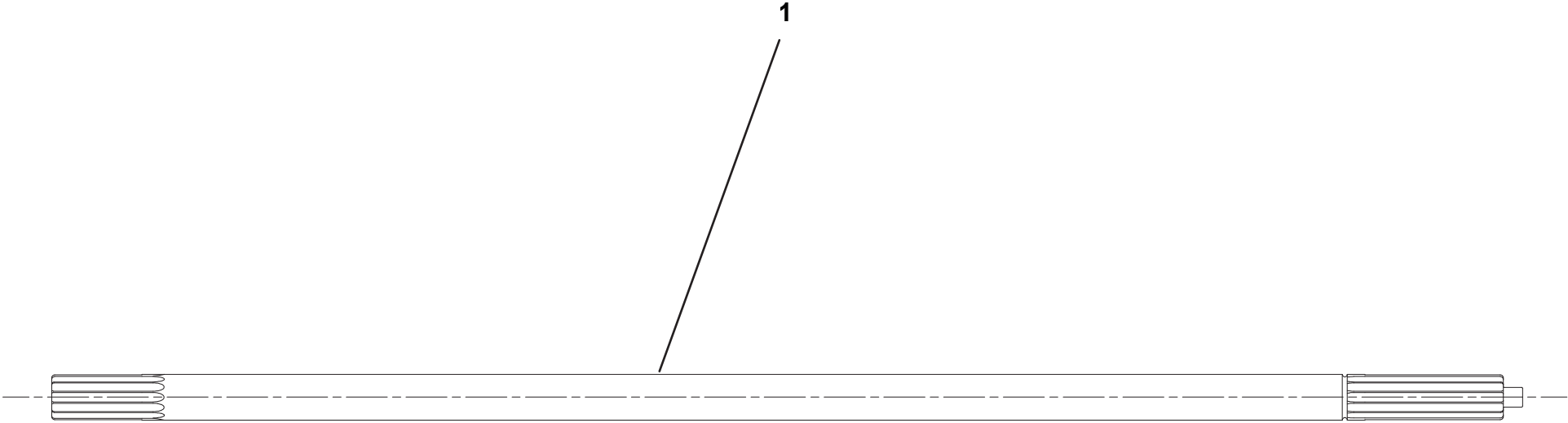
DP WINCH 35K - 7970000162 - GEAR END INSTALLATION



DP WINCH 35K - 7970000162 - INPUT SHAFT

ITEM	PART NO.	DESCRIPTION	QTY
1	9806960020	Input - Shaft	1

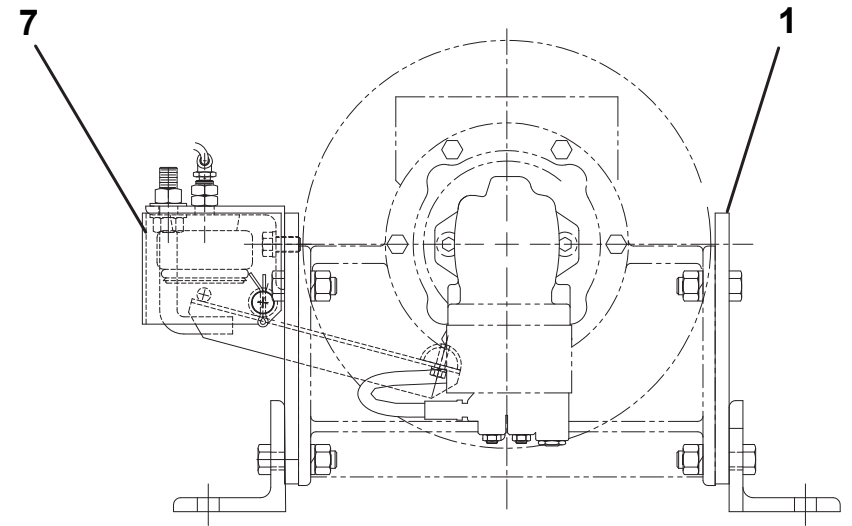
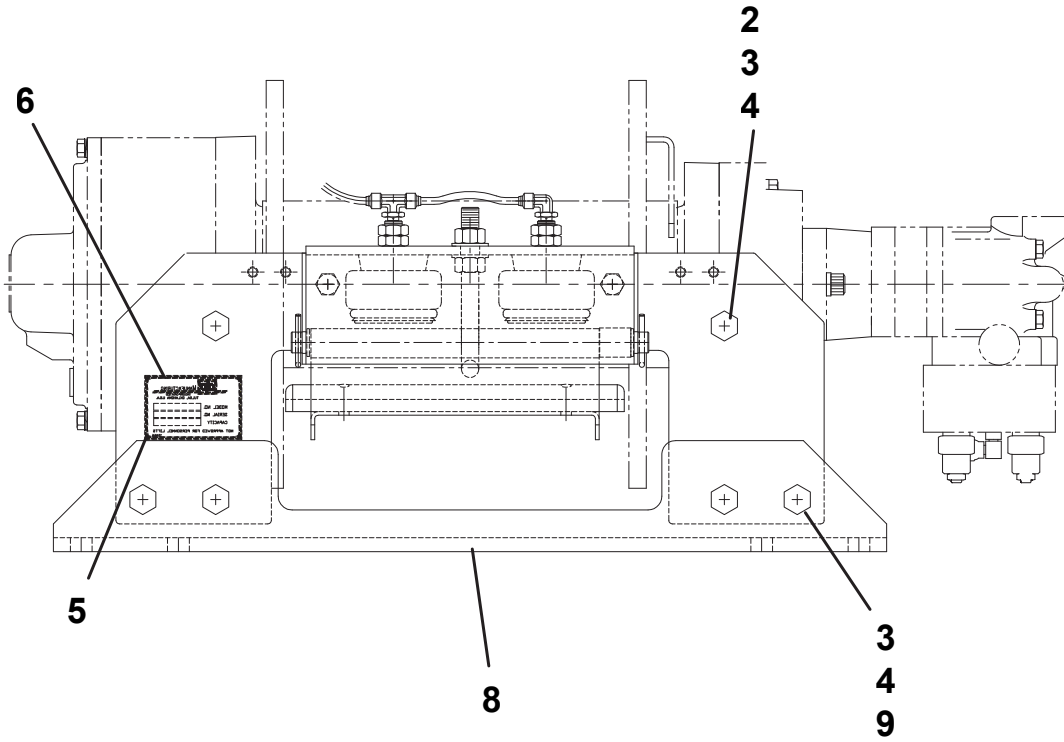
DP WINCH 35K - 7970000162 - INPUT SHAFT



DP WINCH 35K - 7970000162 - BASE MOUNT INSTALLATION

ITEM	PART NO.	DESCRIPTION	QTY
1	9073960003	Base Mount	2
2	7115201850	Capscrew 0.63"-11NC x 2.25" Hex	4
3	7660200001	Nut .63"-11NC GR5 Hex - Plated	12
4	7950200000	Lockwasher .63" Nom Reg CS	12
5	70050147	Rivet - Type - U	4
6	70050384	Plate - ID - Winch	1
7	70050398	Kit - Cable Hold Down	1
8	9073960004	Base Mount	2
9	7115202250	Capscrew, 0.63"-11NC x 2.75" Hex Head	8

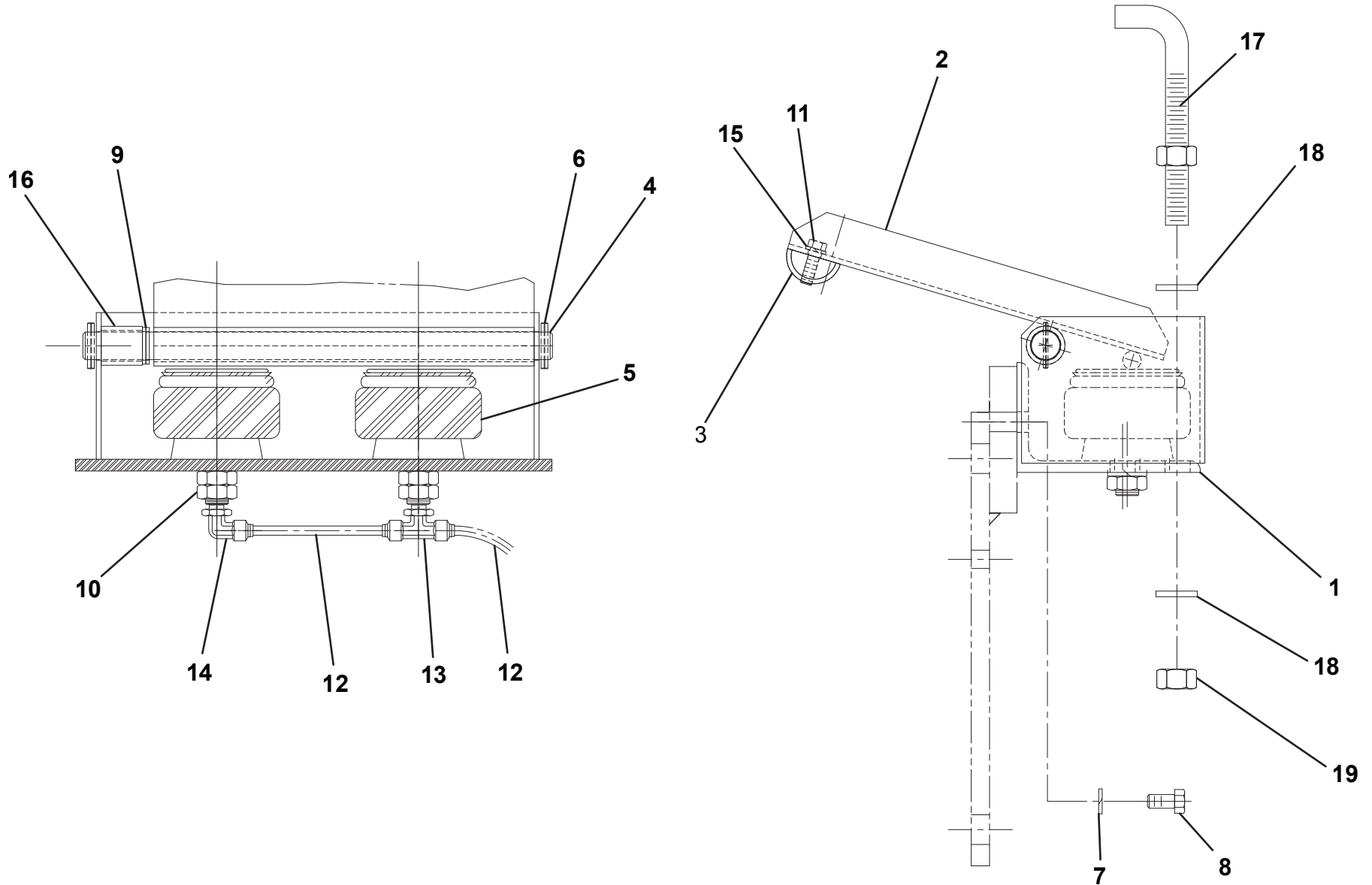
DP WINCH 35K - 7970000162 - BASE MOUNT INSTALLATION



DP WINCH 35K - 7970000162 - CABLE HOLD DOWN KIT

ITEM	PART NO.	DESCRIPTION	QTY
1	9178960011	Bracket - Mounting	1
2	9020960002	Arm - Pivot	1
3	9064960007	Bar - Rub - 1.50" - Half Round	1
4	9691960019	Pin, Pivot	1
5	9843960023	Spring - Cushion - Air - Goodyear	2
6	9690960039	Pin, Cotter 0.19" x 1.50"	2
7	9950180000	Lockwasher, 0.59" ID Nom Reg	2
8	7115181650	Capscrew, 0.50"-13NC x 2.00"	2
9	9949960012	Washer - Thrust	2
10	7660200200	Nut, 0.63"-11NC Hex Jam	4
11	9120960063	Capscrew, 0.31"-18NC x 1.00"	2
12	9912960010	Tubing - Nylon - 0.25" OD	3
13	7443000205	Adapter - Tee - Branch	3
14	7443000204	Adapter - 90 Degree	1
15	9949960050	Lockwasher, 0.31" ID	2
16	9831960009	Spacer - Pin - 1.12"	1
17	9120960019	Bolt - Anchor	1
18	7950200151	Flatwasher, 0.63" ID	2
19	7660200001	Nut .63"-11NC GR5 Hex - Plated	1

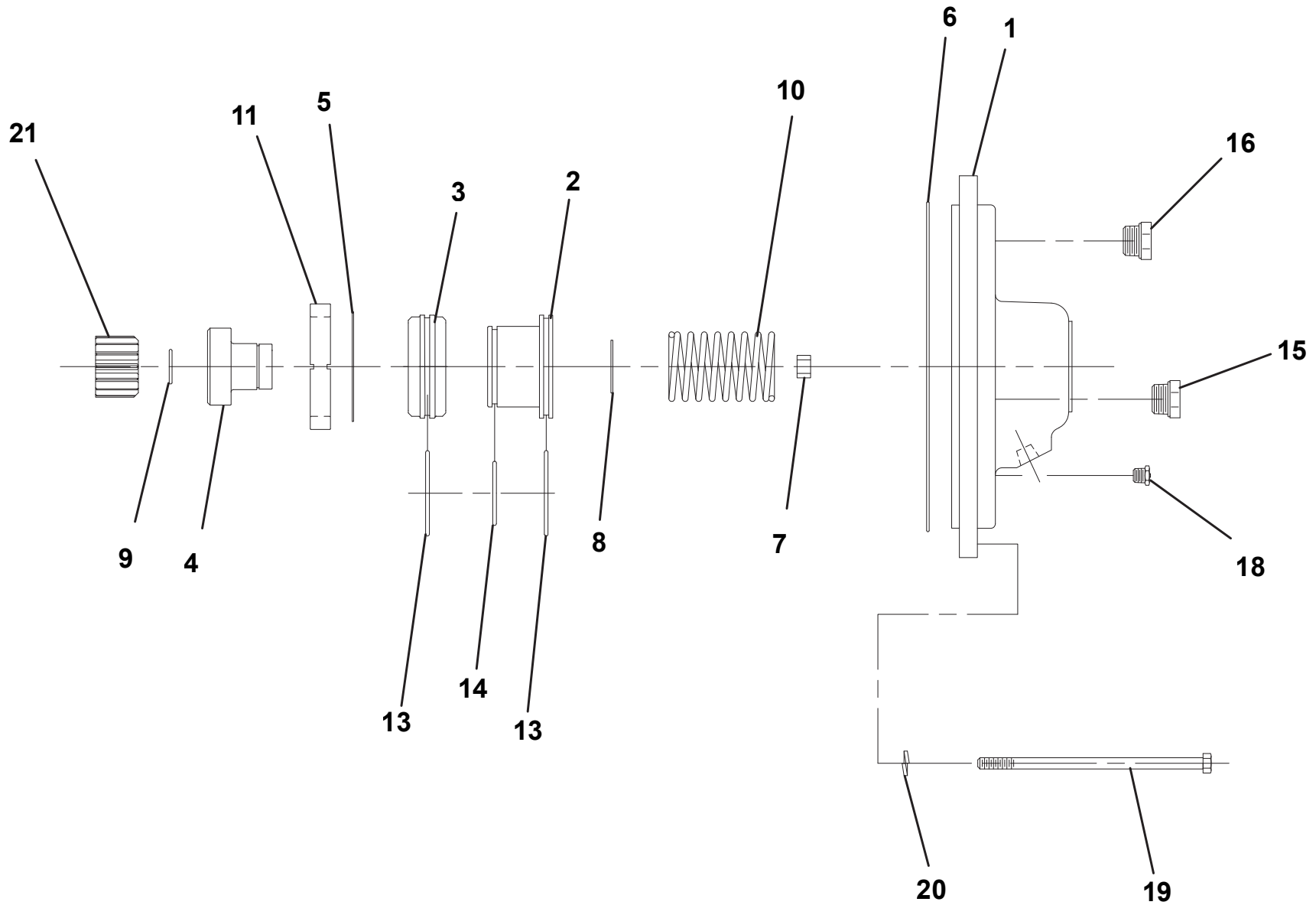
DP WINCH 35K - 7970000162 - CABLE HOLD DOWN KIT



DP WINCH 35K - 7970000162 - GEAR END COVER INSTALLATION

ITEM	PART NO.	DESCRIPTION	QTY
1	9314960022	Cover - Gear End	1
2	9698960016	Piston - AKO B/C/D	1
3	9698960015	Cylinder - Piston	1
4	9309960011	Coupling - Drive	1
5	9754960026	Ring - Retainer - Round Section - 3.00" OD x 3.40	1
6	9796960120	O-Ring - 8.75" ID x .012" Section	1
7	9209960026	Bushing - Bronze - 0.63" ID x 0.38" OD x 0.38"	1
8	9754960046	Ring - Retainer - 1.25" x 0.05 Thick	1
9	9754960047	Ring - Retainer - 0.88" x 0.08" - Round Section	1
10	9843960032	Spring - Compression	1
11	9949960028	Washer - Thrust - Nylon - 3.81 x .406	1
13	9796960119	O-Ring - 2.63" ID x 0.13" Section	2
14	9796960118	O-Ring - 2.13" ID x 2.38" OD Section	1
15	9701960011	Plug - O-Ring Boss - #10 Socket Head - 0.88" - 14	1
15	70050998	O-Ring - Ravine - 1.25"	1
16	9701960012	Plug - Socket Head - Boss - O-Ring #10	1
16	70050998	O-Ring - Ravine - 1.25"	1
17	9701960018	Caplug - #4 Red - 0.25" NPT (Not Shown on Drawing)	1
18	9183960001	Vent - Relief	1
19	70050995	Capscrew, 0.38"-16NC x 5.50" GR 8	12
20	7950160000	Lockwasher 0.38" ID - Plated	12
21	9472960054	Gear - Sun - 15 Teeth	1

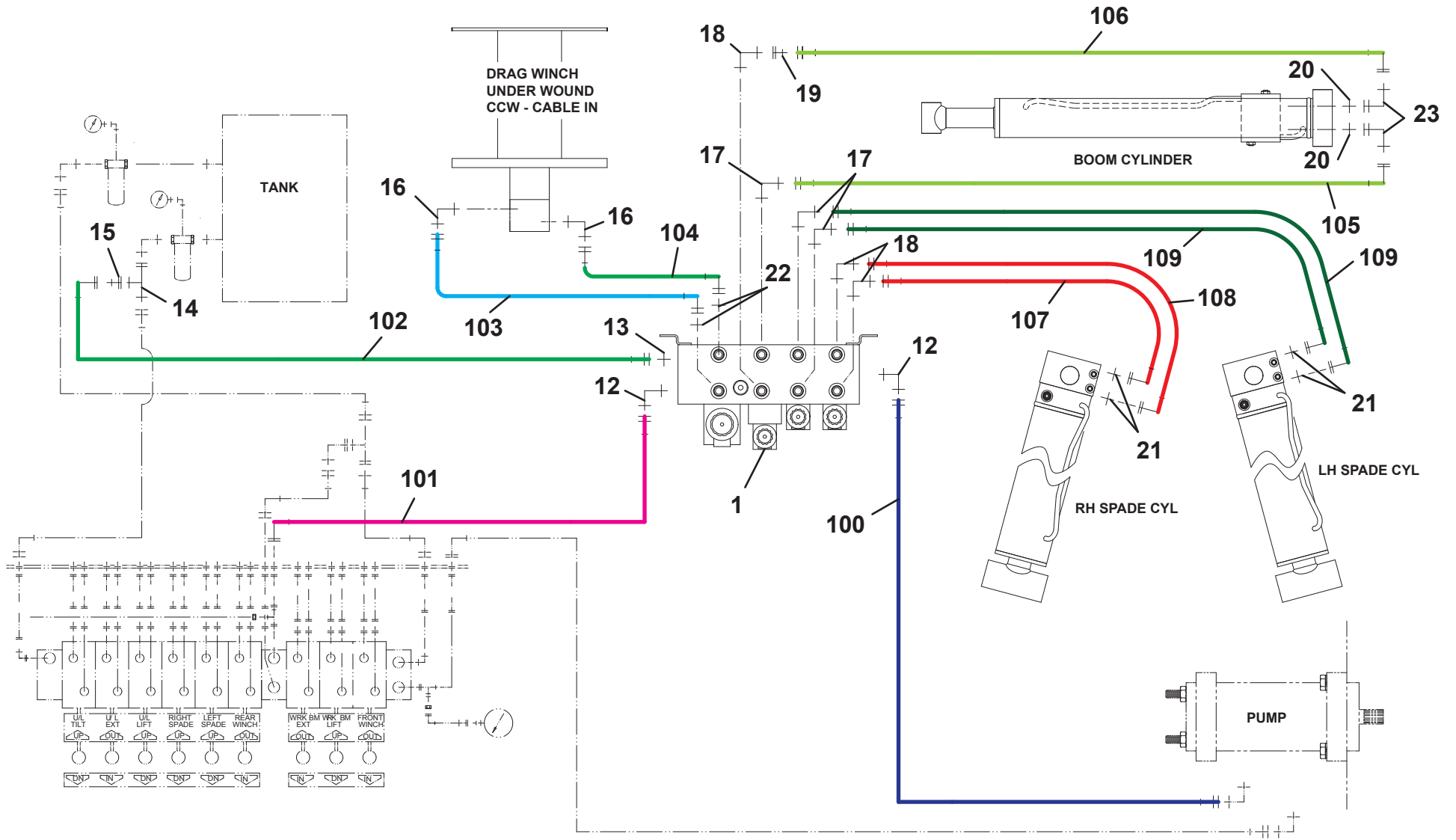
DP WINCH 35K - 7970000162 - GEAR END COVER INSTALLATION

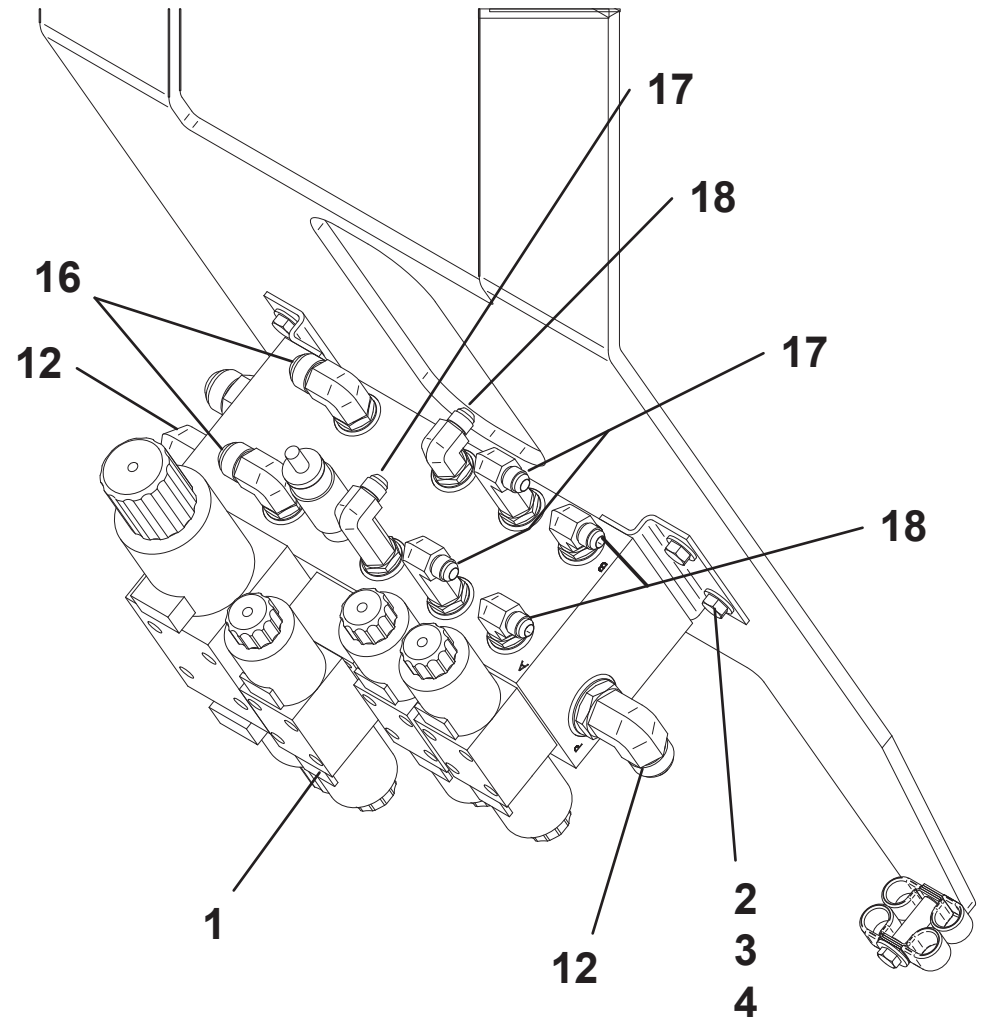
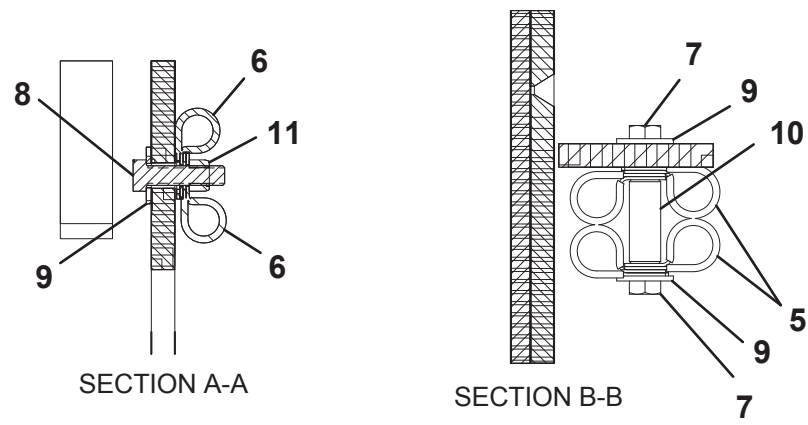
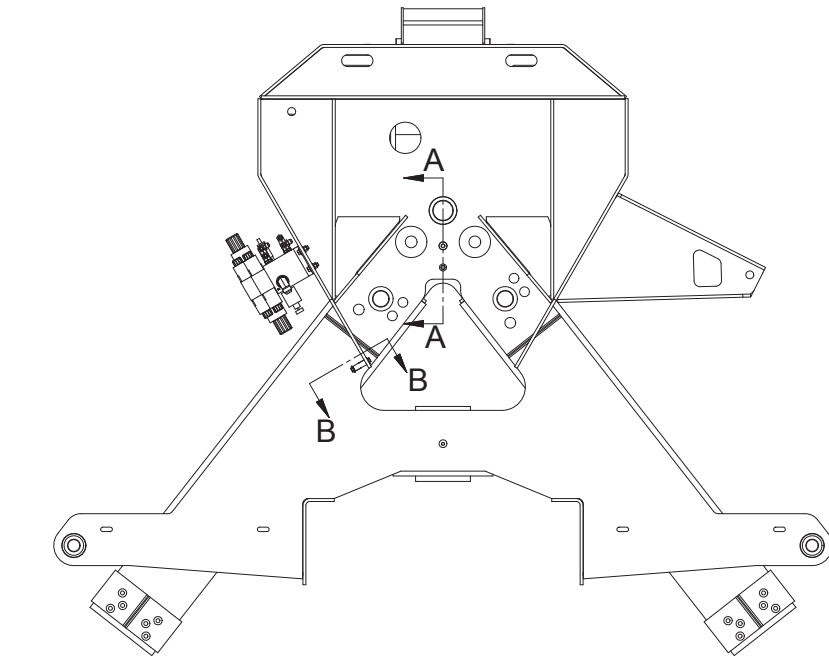


HYDRAULIC INSTALLATION

ITEM	PART NO.	DESCRIPTION	QTY
1	3935000189	Valve Assembly	1
2	7115161050	Capscrew, 0.38"-16NC X 1.25"	4
3	7950160141	Flatwasher, 0.38" ID	8
4	7660162601	Locknut, 0.38"-16NC	4
5	7274000063	Clamp	4
6	7274000053	Clamp	2
7	7115150850	Capscrew, 0.31"-18NC X 1.00"	2
8	7115151050	Capscrew, 0.31"-18NC X 1.25"	1
9	7950150161	Flatwasher, 0.31" ID	3
10	7661000022	Nut, 0.31"-18 NC	1
11	7660152601	Locknut, 0.31"-18NC	1
12	7445121245	Elbow	2
13	7445121243	Adapter	1
14	7443000213	Fitting	1
15	7443000214	Reducer	1
16	7445080845	Elbow	2
17	7443000458	Fitting	3
18	7445060845	Elbow	3
19	7443000108	Reducer	1
20	7445040443	Adapter	2
21	7445060644	Fitting	4
22	7445080843	Adapter	2
23	445040472	Elbow	2
24	7819000005	Sleeve	1
100	4567160129	Hose Assembly	1
101	4567160156	Hose Assembly	1
102	4567162180	Hose Assembly	1
103	4567132028	Hose Assembly	1
104	4567132033	Hose Assembly	1
105	4570000337	Hose Assembly	1
106	4570000338	Hose Assembly	1
107	4567122038	Hose Assembly	1
108	4567122036	Hose Assembly	1
109	4567122056	Hose Assembly	2

HYDRAULIC INSTALLATION



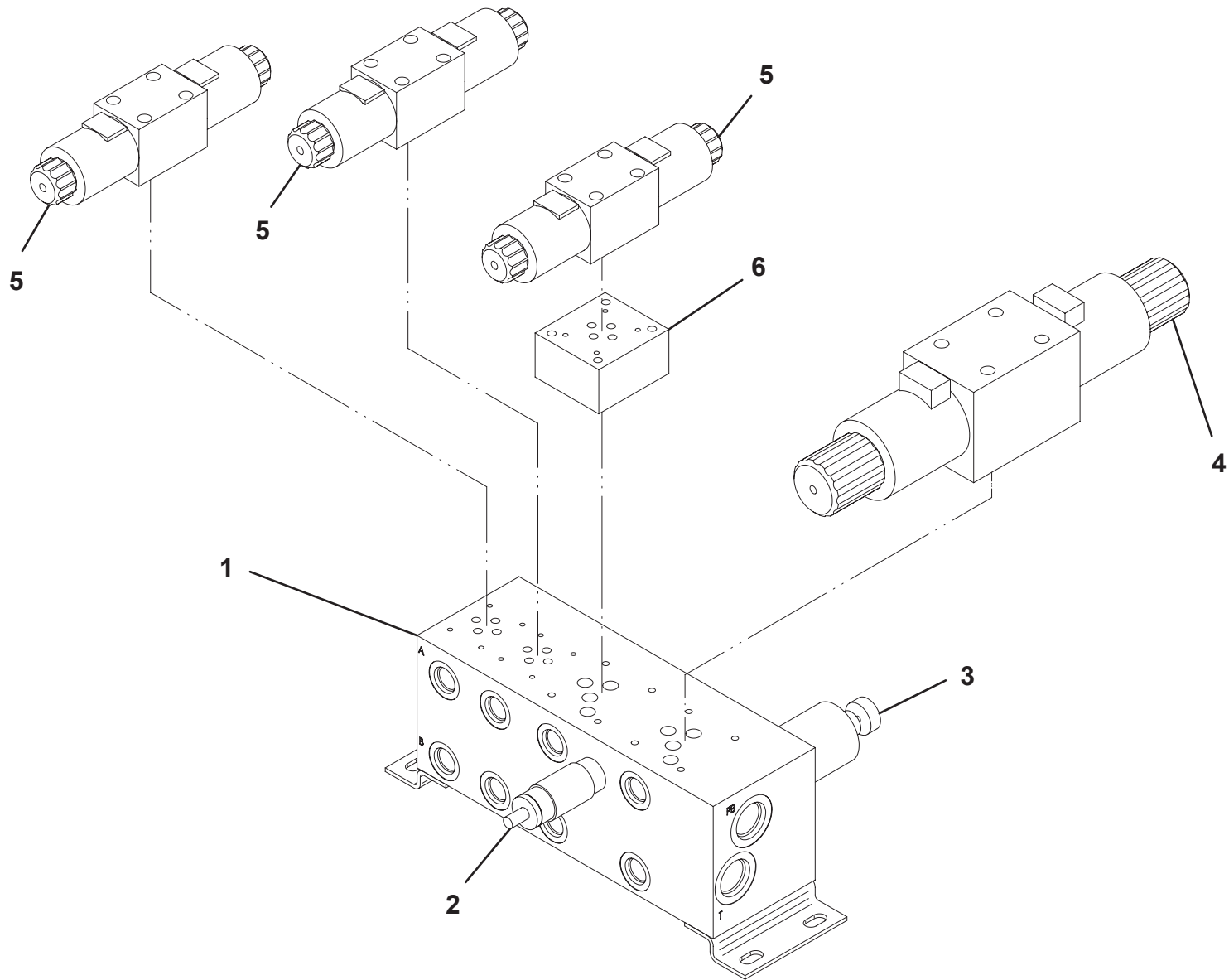
HYDRAULIC INSTALLATION

THIS PAGE INTENTIONALLY LEFT BLANK

VALVE ASSEMBLY - 3935000189

ITEM	PART NO.	DESCRIPTION	QTY
1	9619930002	Manifold Block	1
2	9935930126	Main Relief	1
3	9935930127	Solenoid Selector Valve	1
4	9935930129	Valve	1
5	7935000349	Valve	3
6	9935930130	Valve Adapter	1

VALVE ASSEMBLY - 3935000189

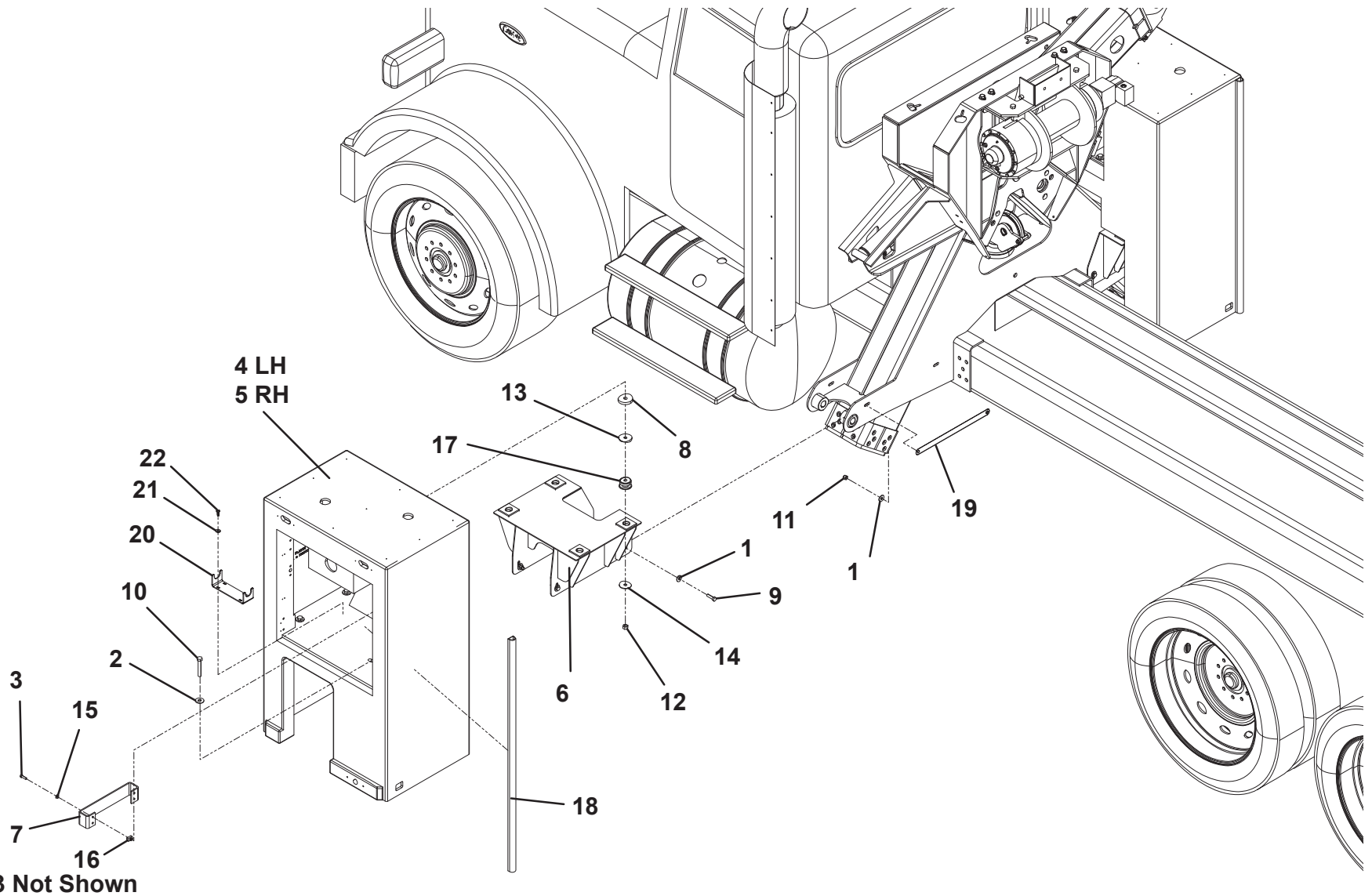


TOOLBOX INSTALLATION

ITEM	PART NO.	DESCRIPTION	QTY
1	4751800	Washer, 0.50" ID	16
2	4752000	Washer, 0.625" ID	8
3	1001169080	Capscrew, 0.38"-16 X 1.25"	8
4	1001189455	Box, SRS RH	1
5	1001189457	Box, SRS RH	1
6	1001189532	Mount	2
7	1001189776	Plate	2
8	4831000128	Spacer	8
9	7115181450	Screw, 0.50"-13NC X 1.75"	8
10	0642034	Screw, 0.62"-11NC x 4.25"	8
11	7660182601	Locknut, 0.50"-13NC	8
12	7660200001	Nut, 0.63"-11NC	8
13	7949000019	Washer	8
14	7949000020	Washer	8
15	7950160143	Flatwasher, 0.38" ID	8
16	1001166644	Nut, 0.38"-16	8
17	7636000008	Mount	8
18	8632000011	Seal	10FT
19	1001214806*	Shim, .063" Thk	4
	1001214807*	Shim, .125" Thk	4
20	1001213912	Bracket	2
21	7950140143	Flatwasher, 0.25" ID	8
22	1001185523	Screw, 0.25" x 0.75"	8
23	1001173847	Plug, Tappered Rubber	4

* Also Available In Shim Kit - 1001214802

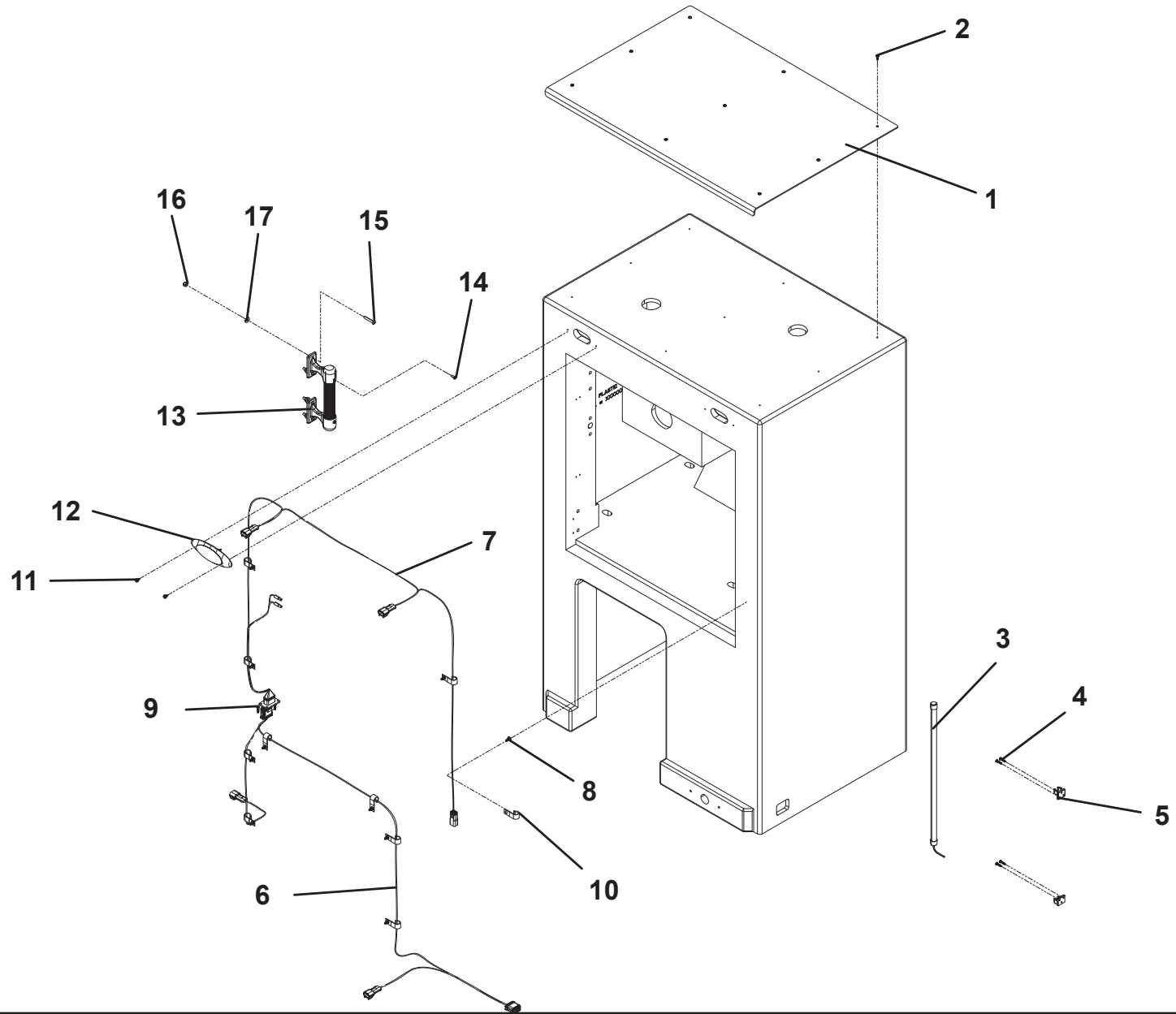
TOOLBOX INSTALLATION

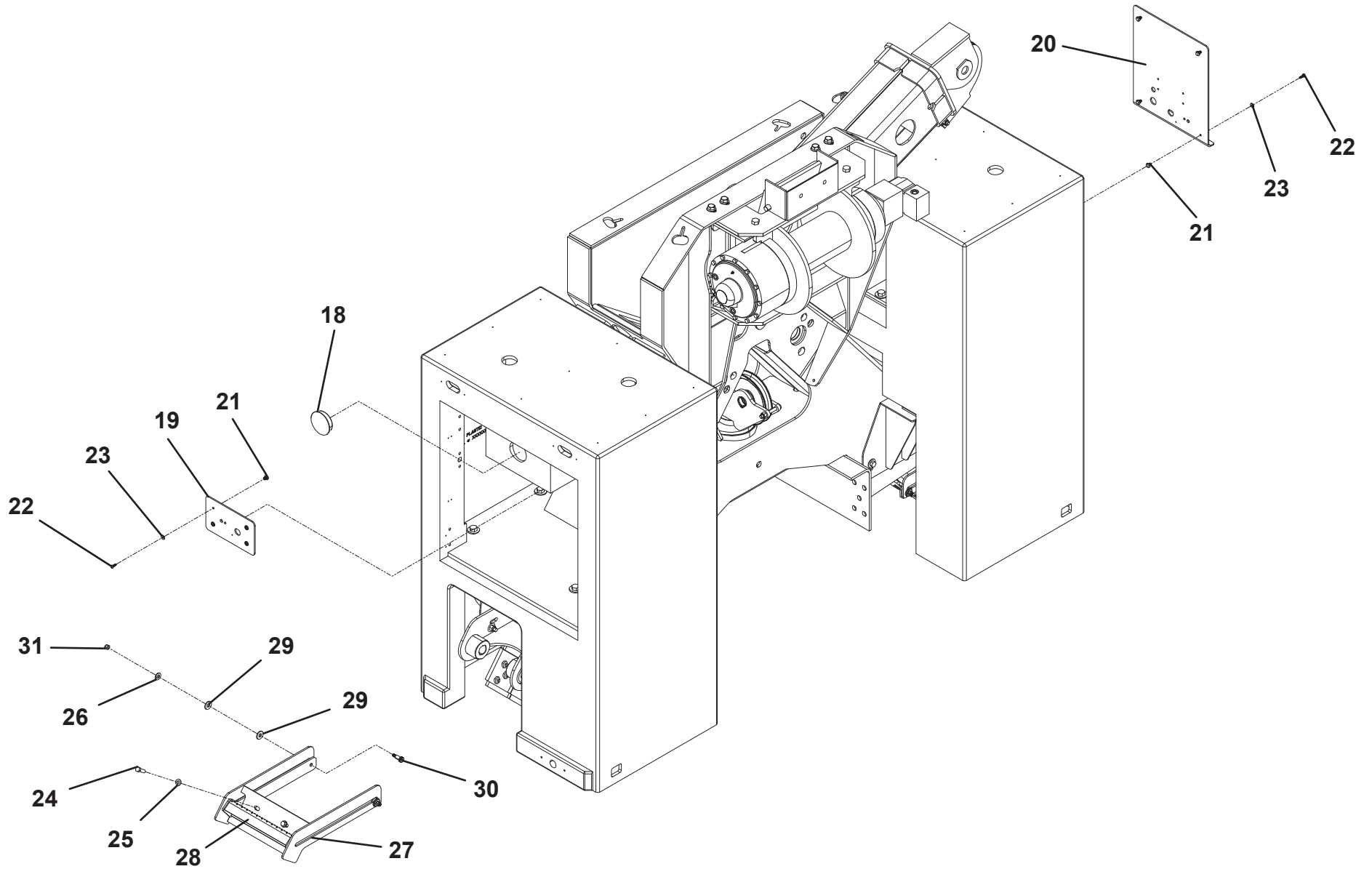


TOOLBOX ASSEMBLY

ITEM	PART NO.	DESCRIPTION	QTY	ITEM	PART NO.	DESCRIPTION	QTY
Diamond Plate - 1001197894				Step Installation - 1001199185			
1	1001189505	Plate	2	24	641711	Screw, 0.44"-14 X 1.38"	4
2	1001192958	Screw, #10 x 0.50"	18	25	4711700	Washer, 0.44" ID	4
Compartment Lights - 1001197895				26	4711800	Washer, 0.50" ID	4
3	1001189906	Lamp	4	27	1001190176	Mount	2
4	1001196552	Screw, #8 x 0.75"	16	28	1001190232	Ladder	2
5	1001199081	Mount	8	29	1001190343	Washer, 0.50" ID	8
Harness Installation - 1001197897				30	1001191540	Bolt, 0.50" x 0.88"	4
6	1001189320	Harness	2	31	7660162604	Locknut, 0.38"-16	4
7	1001189322	Harness	2				
8	1001195257	Screw, 0.25" x 0.50"	20				
9	1001196552	Screw, #8 x 0.75"	8				
10	7280000006	Clip	20				
Marker Lights - 1001197898							
11	1001192958	Screw, #10 x 0.50"	12				
12	7590000262	Light	6				
Grab Handle - 1001198964							
13	1001170849	Handle	2				
14	1001170937	Screw	4				
15	7114141218	Screw, 0.25"-20NC	8				
16	7660142600	Locknut, 0.25"-20NC	8				
17	7950140143	Flatwasher, 0.25" ID	8				
Cover Plate - 1001199098							
18	1001151789	Plug	1				
19	1001189750	Plate, LH	1				
20	1001189751	Plate, RH	1				
21	1001199082	Nut, 0.25"-20	8				
22	1001194676	Screw, 0.25" x 0.75"	8				
23	7950140143	Flatwasher, 0.25" ID	8				

TOOLBOX ASSEMBLY



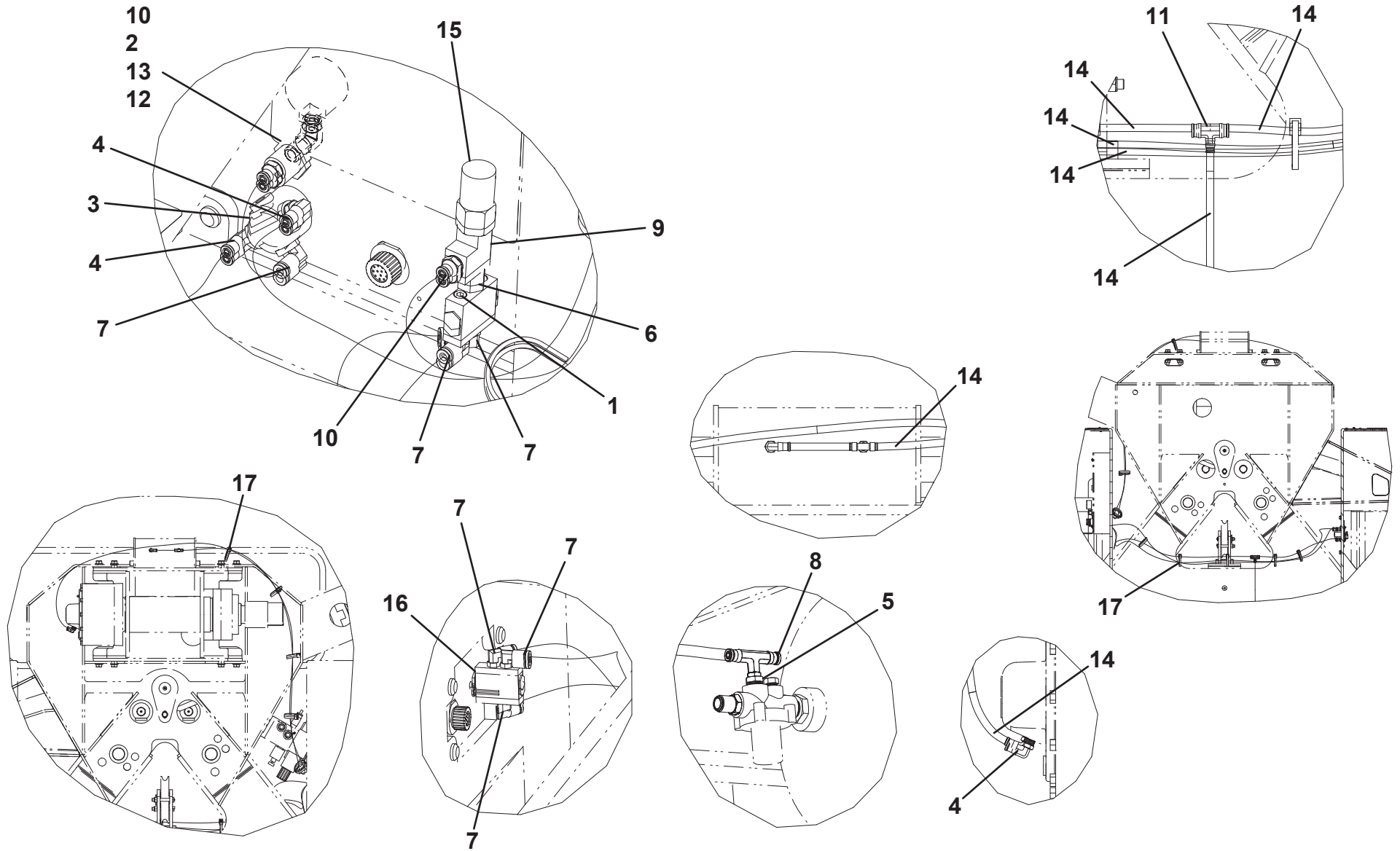
TOOLBOX ASSEMBLY

THIS PAGE INTENTIONALLY LEFT BLANK

AIR INSTALLATION

ITEM	PART NO.	DESCRIPTION	QTY
1	2180752	Adapter	2
2	1001199467	Fitting	1
3	7295000029	Air Regulator	1
4	7443000139	Fitting	3
5	7443000149	Bushing	1
6	7443000150	Adapter	1
7	7443000173	Fitting	6
8	7443000174	Fitting	1
9	7443000287	Fitting	1
10	7443000329	Fitting	2
11	7443000330	Fitting	1
12	7443000456	Fitting	1
13	7470000006	Gauge, Air Pressure	1
14	7565000016	Airline	40FT
15	7870000136	Switch	1
16	7935000351	Valve	2
17	7894000004	Tie Strap	10

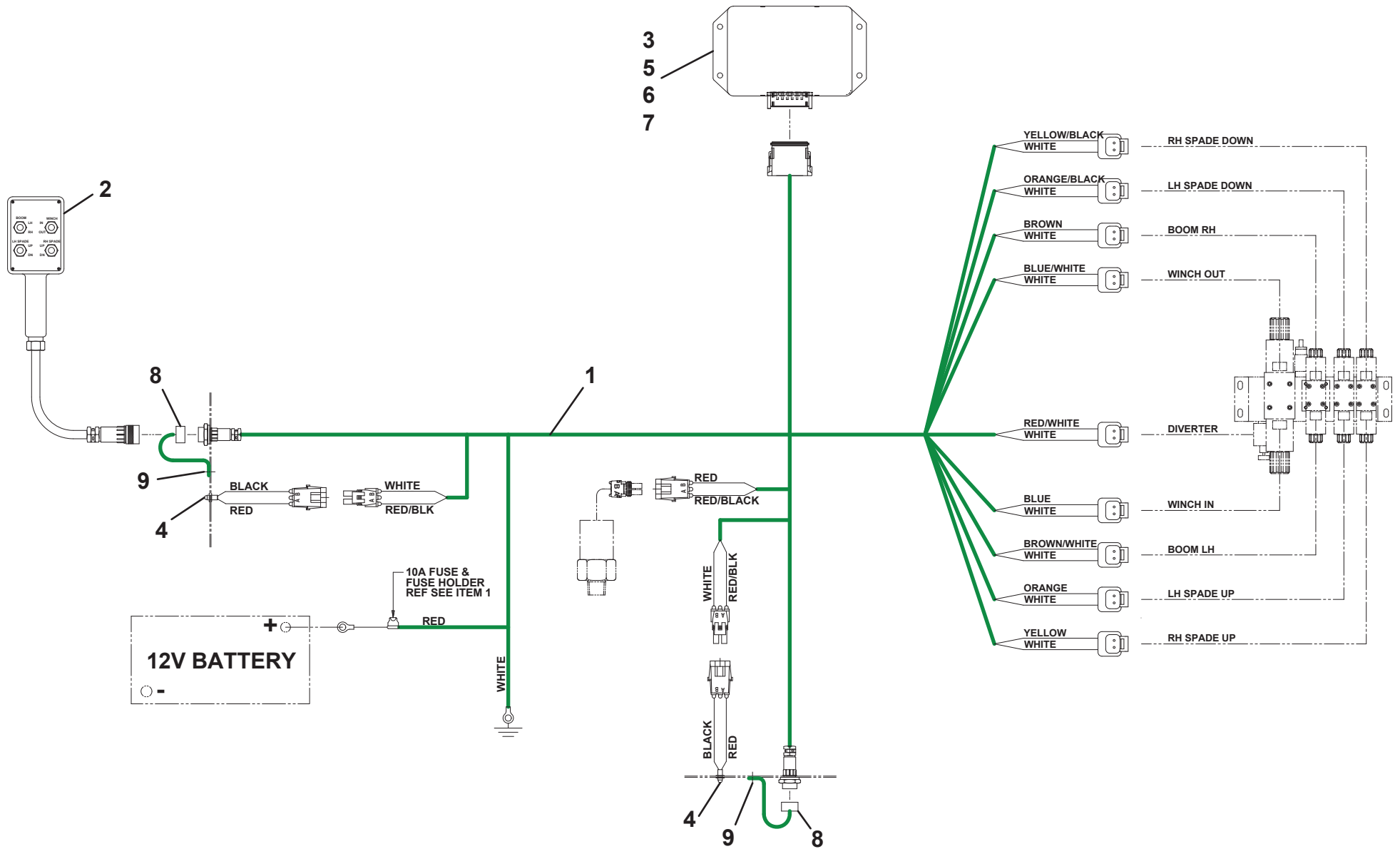
AIR INSTALLATION



ELECTRICAL INSTALLATION

ITEM	PART NO.	DESCRIPTION	QTY
1	7552000407	Harness	1
2	7295000126	Controller	1
3	7295000121	Controller	1
4	7590000364	Indicator	2
5	7114100518	Capscrew, #10-24NC x 0.62"	4
6	7660102604	Locknut, #10-24NC	4
7	7950100103	Flatwasher, #10 ID	4
8	7346000068	Dust Cap	2
9	7759000004	Pop Rivet	2

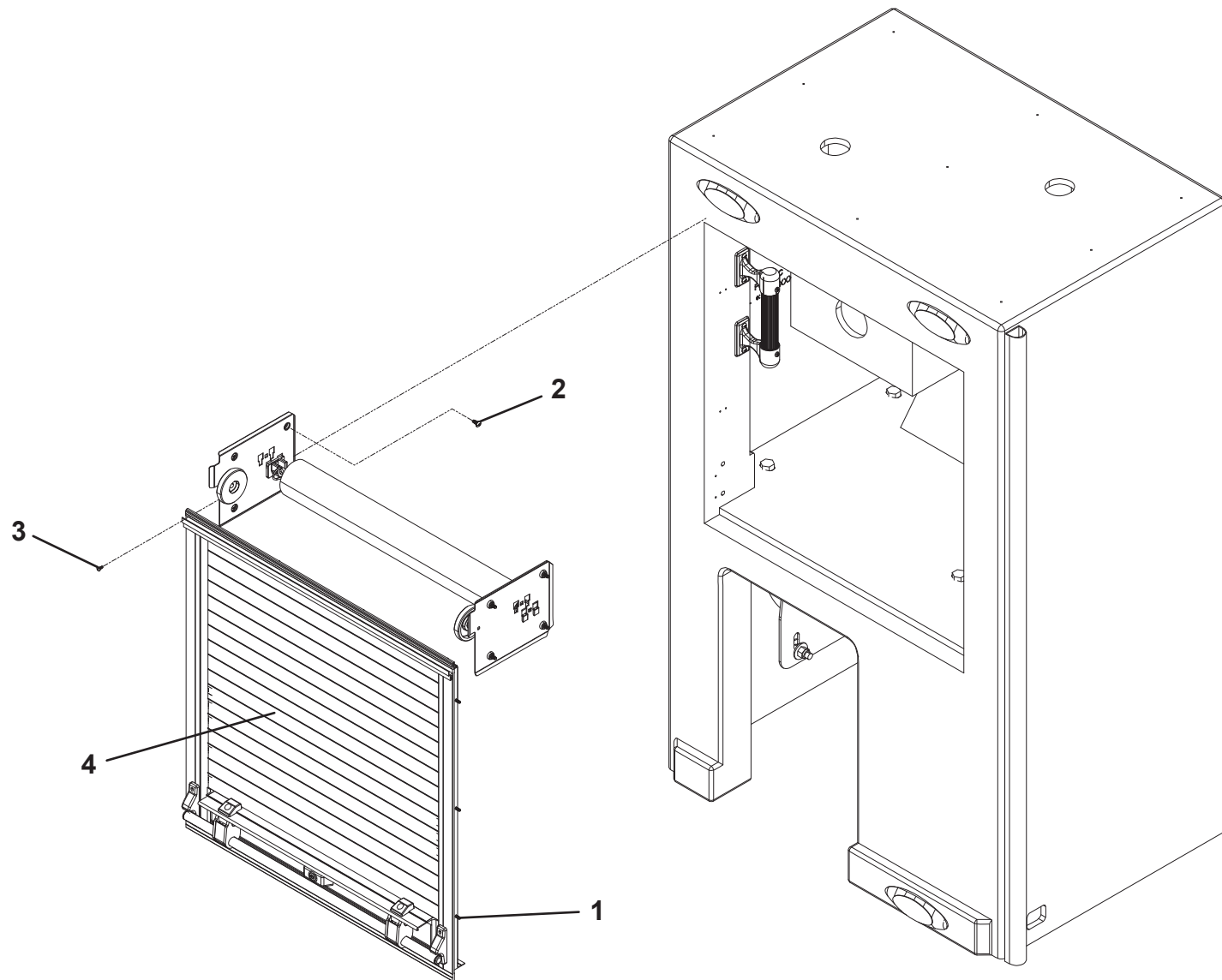
ELECTRICAL INSTALLATION



DOOR INSTALLATION

ITEM	PART NO.	DESCRIPTION	QTY
		Painted - 1001197791	
1	1001192958	Screw, #10 x 0.50"	12
2	1001195257	Screw, 0.25" x 0.50"	16
3	1001198602	Screw, #8 x 0.38"	8
4	1001197164	Rollup Door	2
		Brushed - 1001197792	
1	1001192958	Screw, #10 x 0.50"	12
2	1001195257	Screw, 0.25" x 0.50"	16
3	1001198602	Screw, #8 x 0.38"	8
4	1001189531	Rollup Door	2

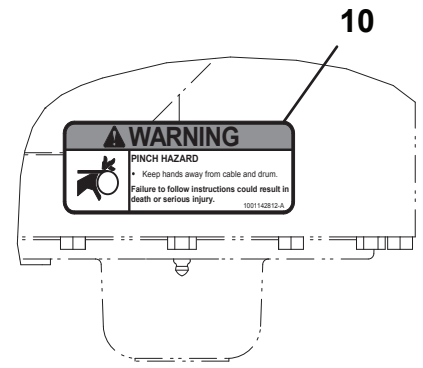
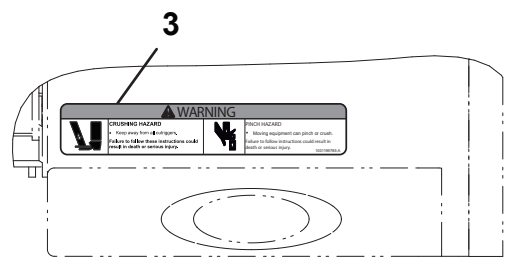
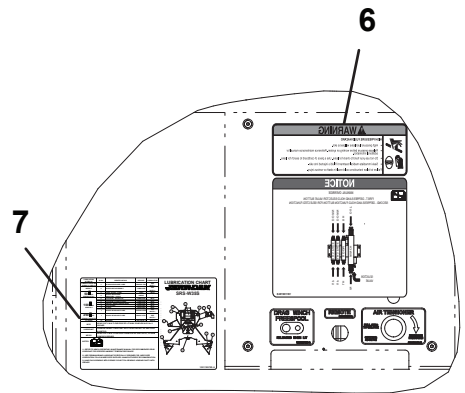
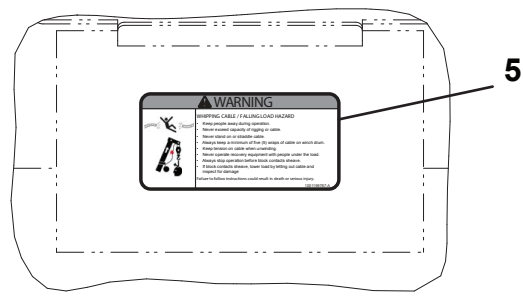
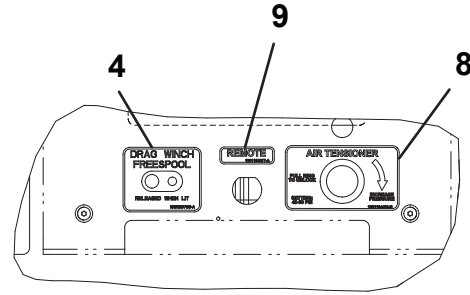
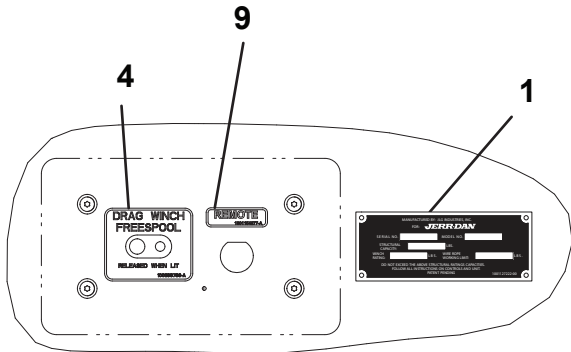
DOOR INSTALLATION



DECALS

ITEM	PART NO.	DESCRIPTION	QTY
1	1001127222	Decal, ID Tag	1
2	1001199783	Decal, Pinch Point	2
3	1001199785	Decal, Outriggers	2
4	1001199786	Decal, SRS Freespool	2
5	1001199787	Decal, Winch Warning	2
6	1001199789	Decal, Manual Valve	1
7	1001199790	Decal, Lube Chart	1
8	1001134433	Decal, Air Tensioner	1
9	1001154277	Decal, Remote	2
10	1001142812	Decal, Pinch Hazard	1

DECALS



PART NUMBER INDEX

Part Number	Page	Part Number	Page	Part Number	Page	Part Number	Page
641711	56	1001169080	54	1001213912	54	4691000578	8
0642034	54	1001169617	16	1001214802	54	4691000581	12
2180752	60	1001169893	16	1001214806	54	4691000582	12
3841203	16	1001170849	56	1001214807	54	4706005760	6
4711700	56	1001170937	56	2249000020	16, 18	4754000004	12
4711800	56	1001173847	54	3170000448	8	4811001136	6
4751800	54	1001185523	54	3248000001	16	4811001137	6
4752000	54	1001189320	56	3248000002	16	4812000103	16
70050147	28, 42	1001189322	56	3248000003	16	4812000104	16
70050384	28, 42	1001189455	54	3249000043	16	4831000104	16
70050398	28, 42	1001189457	54	3249000045	18	4831000128	54
70050401	20, 34	1001189505	56	3263000133	12	7082000040	18
70050991	24	1001189531	64	3320000232	8, 10	7110201423	22, 36
70050992	24	1001189532	54	3320000233	12, 14	7114100518	62
70050993	24	1001189750	56	3455000055	6	7114141218	56
70050994	26	1001189751	56	3577000129	6	7115150850	48
70050995	32, 46	1001189776	54	3691000261	16, 18	7115151050	48
70050998	32, 46	1001189906	56	3691000262	8	7115160650	16
70051131	14	1001190176	56	3691000263	12	7115161050	48
70051132	10, 14	1001190232	56	3706000366	12	7115180850	8, 16
70051133	14	1001190343	56	3935000189	48, 52	7115181450	54
70051134	14	1001191540	56	4178000763	16	7115181650	30, 44
70051135	14	1001192958	56, 64	4567122036	48	7115182650	16
70051136	14	1001194676	56	4567122038	48	7115182850	18
70051137	10, 14	1001195257	56, 64	4567122056	48	7115201850	28, 42
70051138	10	1001196552	56	4567132028	48	7115202250	28, 42
70051139	10	1001197164	64	4567132033	48	7115221250	12
70051140	10	1001198602	64	4567160129	48	7118162005	20, 34
70051141	10	1001199081	56	4567160156	48	7118170650	12
70051142	10	1001199082	56	4567162180	48	7118172050	20, 34
445040472	48	1001199467	60	4570000337	48	7118181205	20, 34
1001127222	66	1001199783	66	4570000338	48	7118202016	16
1001134433	66	1001199785	66	4661000008	18	7118221816	6
1001142812	66	1001199786	66	4679000291	12	7253000002	16
1001151789	56	1001199787	66	4691000574	8	7274000053	48
1001154277	66	1001199789	66	4691000576	12	7274000063	48
1001166644	54	1001199790	66	4691000577	12	7280000006	56

PART NUMBER INDEX

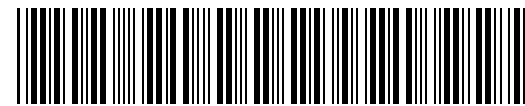
Part Number	Page	Part Number	Page	Part Number	Page	Part Number	Page
7295000029	60	7660152601	48	7950180153	8	9626960018	34
7295000121	62	7660162601	48	7950180800	20, 34	9690960039	30, 44
7295000126	62	7660162604	56	7950200000	28, 42	9691960019	30, 44
7346000068	62	7660182601	16, 18, 54	7950200151	30, 44	9691960021	20, 34
7440030000	8, 12, 16, 18	7660200001	28, 30, 42, 44, 54	7970000162	16, 34, 36, 38, 40, 42, 44, 46	9698960008	20, 34
7443000108	48	7660200200	30, 44	7970000163	16, 20, 22, 24, 26, 28, 30, 32	9698960015	32, 46
7443000139	60	7660222308	6	8632000011	54	9698960016	32, 46
7443000149	60	7661000018	16	9020960002	30, 44	9701960011	32, 46
7443000150	60	7661000022	48	9064960007	30, 44	9701960012	32, 46
7443000173	60	7661000061	18	9073960003	28, 42	9701960013	20
7443000174	60	7691000025	12	9073960004	28, 42	9701960018	32, 46
7443000204	30, 44	7754000019	8	9082960003	28, 42	9754960026	32, 46
7443000205	30, 44	7754000048	12	9082960004	28, 42	9754960046	32, 46
7443000213	48	7754000049	16	9082960013	20, 34	9754960047	32, 46
7443000214	48	7754000056	8	9082960018	20, 24, 34, 38	9796960088	20, 34
7443000287	60	7754000058	16, 18	9120960019	30, 44	9796960089	22, 36
7443000329	60	7759000004	62	9120960063	30, 44	9796960090	20, 34
7443000330	60	7796000098	18	9177960003	24, 38	9796960118	32, 46
7443000456	60	7809000006	16, 18	9177960004	20, 34	9796960119	32, 46
7443000458	48	7819000005	48	9178960011	30, 44	9796960120	24, 32, 38, 46
7444010011	18	7870000136	60	9183960001	32, 46	9796960121	20, 24, 34, 38
7445040443	48	7894000004	60	9209960025	24, 38	9806960019	20, 34
7445040445	20, 34	7935000349	52	9209960026	32, 46	9806960020	40
7445040446	20, 34	7935000351	60	9280960002	22, 36	9806960021	24, 38
7445060644	48	7949000018	12	9309960011	32, 46	9831960009	30, 44
7445060845	48	7949000019	54	9314960022	32, 46	9831960018	22, 36
7445080843	48	7949000020	54	9330960006	24, 38	9843960023	30, 44
7445121243	48	7949000040	18	9443960006	20, 34	9843960032	32, 46
7445121245	48	7950100103	62	9472960052	24, 38	9912960010	30, 44
7470000006	60	7950140143	54, 56	9472960053	38	9935930113	10, 14
7552000407	62	7950150161	48	9472960054	32, 46	9935930126	52
7565000016	60	7950160000	16, 32, 46	9472960055	38	9935930127	52
7590000262	56	7950160141	48	9570960001	20, 34	9935930129	52
7590000364	62	7950160143	54	9571960006	20, 34	9935930130	52
7636000008	54	7950170000	20, 34	9575960012	22, 36	9935960026	20, 34
7660102604	62	7950170142	12	9619930002	52	9935960027	20, 34
7660142600	56	7950180141	16	9626960013	20	9949960012	30, 44

PART NUMBER INDEX

Part Number	Page	Part Number	Page	Part Number	Page	Part Number	Page
9949960027	24, 38						
9949960028	20, 24, 32, 34, 38, 46						
9949960050	30, 44						
9950180000	30, 44						
9970280017	38						
9970960020	22, 36						



Phone (800) 926-9666



5376000176-0