

SS70
PARTS MANUAL
SN 0230005100 TO PRESENT

JERR-DAN[®]

An Oshkosh Corporation Company

13224 Fountainhead Plaza
Hagerstown, MD 21742
Phone (717) 597-7111
www.jerr-dan.com

5-376-000218
Rev A - June 21, 2019

© 2019 Jerr-Dan Corporation. All Rights Reserved

This manual covers the following Jerr-Dan Models:

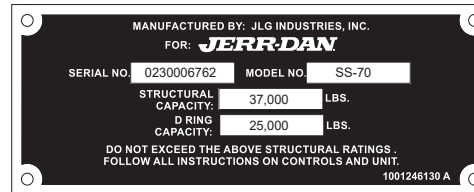
Side Stabilization 70

Jerr-Dan Corporation strives to provide information that is accurate, complete and useful. Descriptions and illustrative material contained within this manual are as accurate as known at the time of publication and are subject to change, without notice, as a result of continuous product improvements. Jerr-Dan reserves the right to amend the information in this document at any time without prior notice.

Information contained in this manual reflects how this vehicle was built at the factory. Modifications or additions by the distributor or owner are not reflected in this manual.

This parts manual does not include service parts information for the commercial chassis (IHC, Ford, GM, etc.). That information is provided by the chassis manufacturer.

When ordering parts, please refer to your unit's Serial Number and Model Number. This information is be found on the aluminum tag riveted to the inside of the driver's side rear compartment of the main body.



Additional or replacement manuals can be ordered by calling Jerr-Dan Parts at 717-597-7111. Price and availability will be quoted at time of the request.

Please report comments and/or errors by contacting Jerr-Dan Corporation's Technical Publications Department by e-mail at technicalpublications@jerr-dan.com or by FAX on 717-485-7162.

Manufactured under one or more of the following patents: 5,575,606; 5,672,042; 5,697,741; 5,713,714; 5,722,810; 5,782,596; 5,839,775 and 6,315,515 B1 with other Patents Pending.

Jerr-Dan and the Jerr-Dan logo are registered trademarks and Run Hard is a service mark of Jerr-Dan Corporation, Hagerstown, MD USA.

The material in this document is confidential and the property of Jerr-Dan Corporation. No part of this document may be photocopied, Reproduced or translated to another language without the express written consent of Jerr-Dan Corporation.

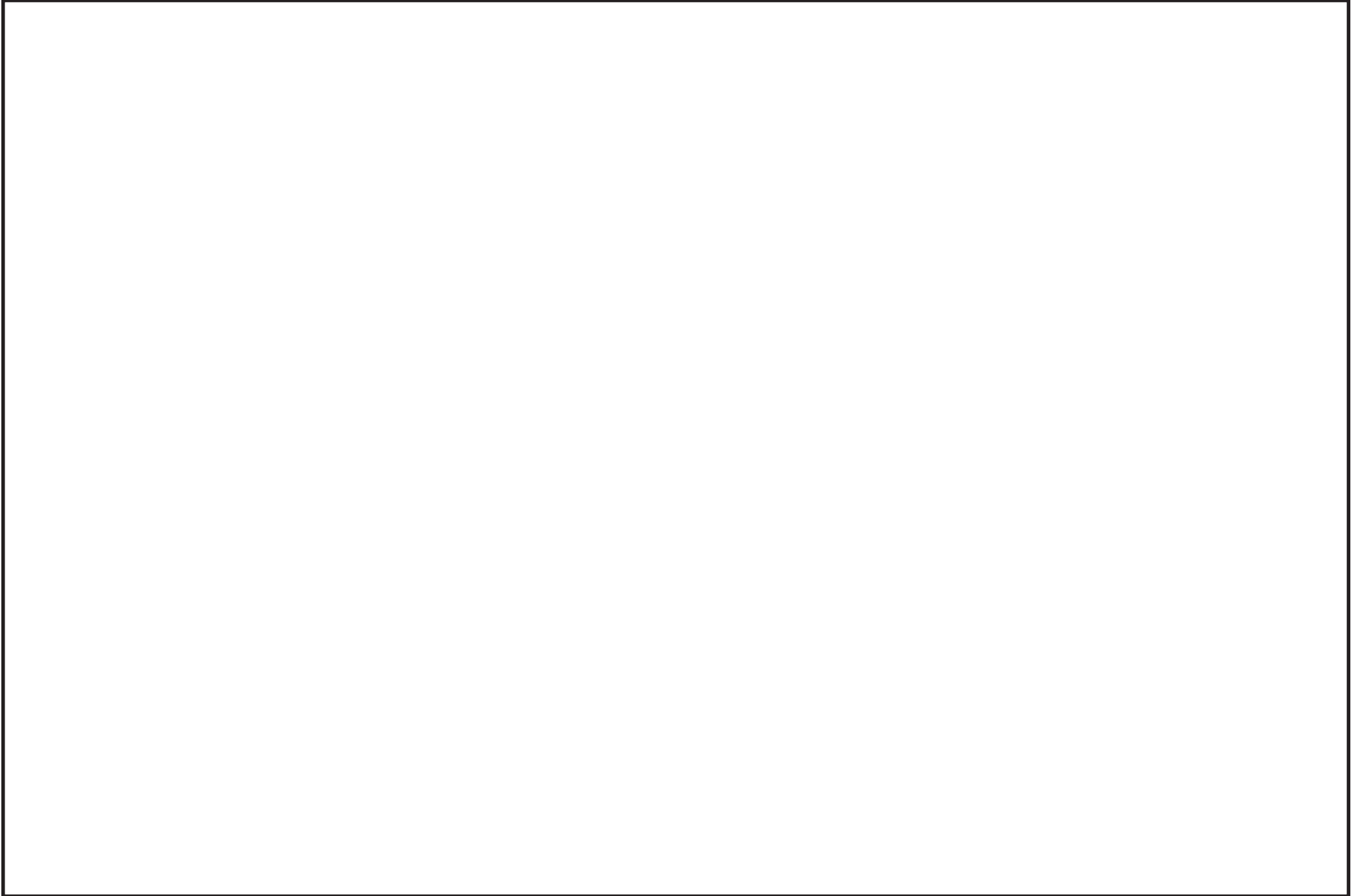


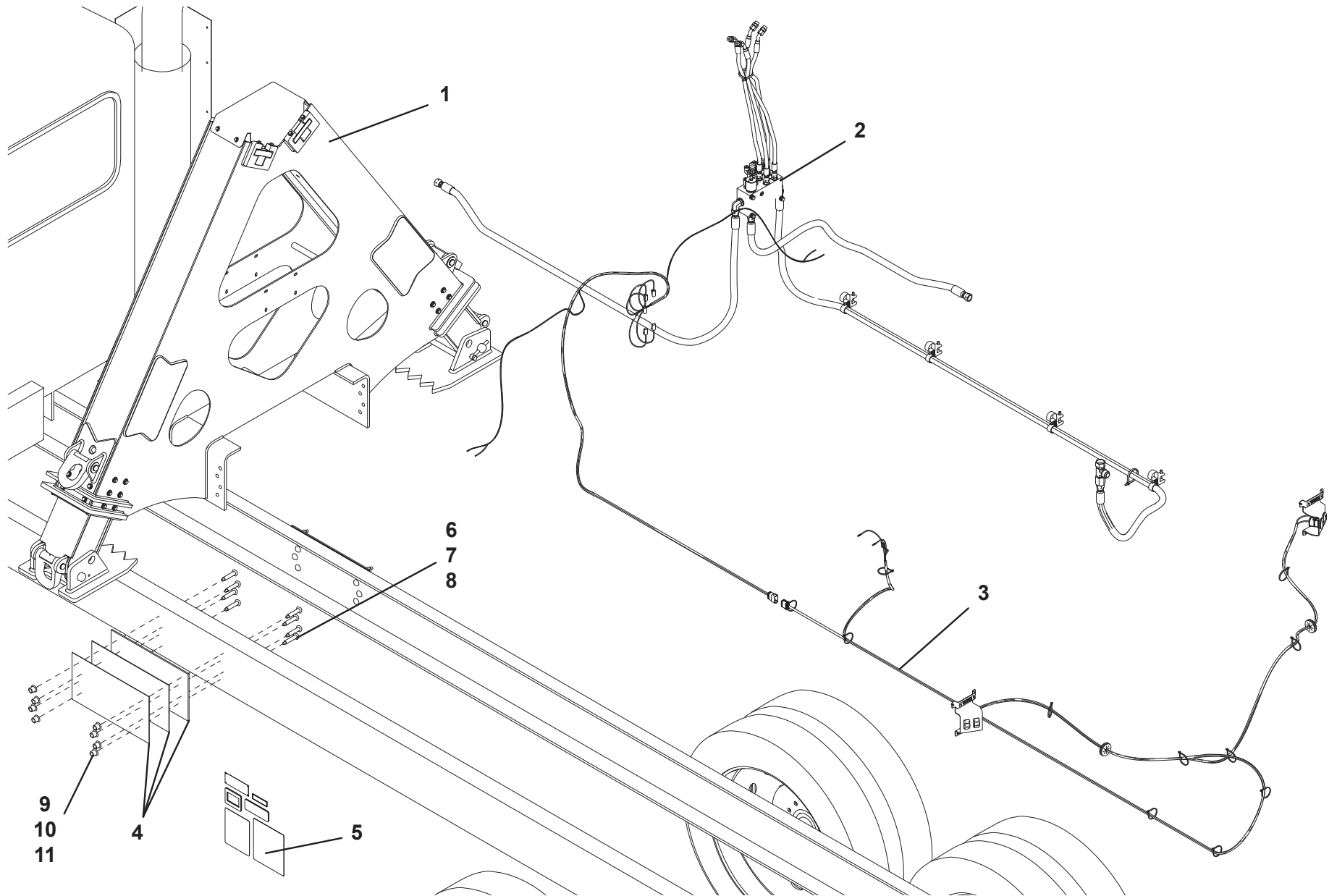
TABLE OF CONTENTS

Side Stabilizer Installation.....	6
Frame Shims Installation.....	8
Side Stabilizer Assembly.....	10
Side Stabilizer Leg Boom Assembly.....	12
Body Panel Installation.....	18
Filler Panel Installation.....	20
Top Diamond Filler Installation.....	22
Hydraulics Installation.....	24
Lift Cylinder - 1001239646.....	26
Hydraulic Valve.....	28
Electrical Installation.....	30
Electrical Filler Panel Installation.....	32
Electrical Installation With Body Panel.....	34
Electrical Installation Without Body Panel.....	36
Decal Installation.....	38
Part Number Index.....	40

SIDE STABILIZER INSTALLATION

ITEM	PART NO.	DESCRIPTION	QTY
	1001239622	Side Stabilizer Installation	Ref
1	1001239624	Assembly, Side Stabilizer (See Seperate Breakdown in this Section)	1
2	1001243239	Installation, Hydraulics (See Seperate Breakdown in this Section)	1
3	1001244142	Installation, Electrical (See Seperate Breakdown in this Section)	1
4	1001246419	Installation, Frame Shims (See Seperate Breakdown in this Section)	1
5	1001246420	Installation, Decals (See Seperate Breakdown in this Section)	1
6	1001246980	Fastener, 0.63" x 1.00-1.37"	A/R
7	1001246981	Fastener, 0.63" x 1.25-1.62"	16
8	1001246982	Fastener, 0.63" x 1.50-1.87"	A/R
9	1001246983	Well Nut, 0.63"	16
10	1001247174	Fastener, 0.63" x 1.75-2.12"	A/R
11	1001247175	Fastener, 0.63" x 1.00-2.37"	A/R

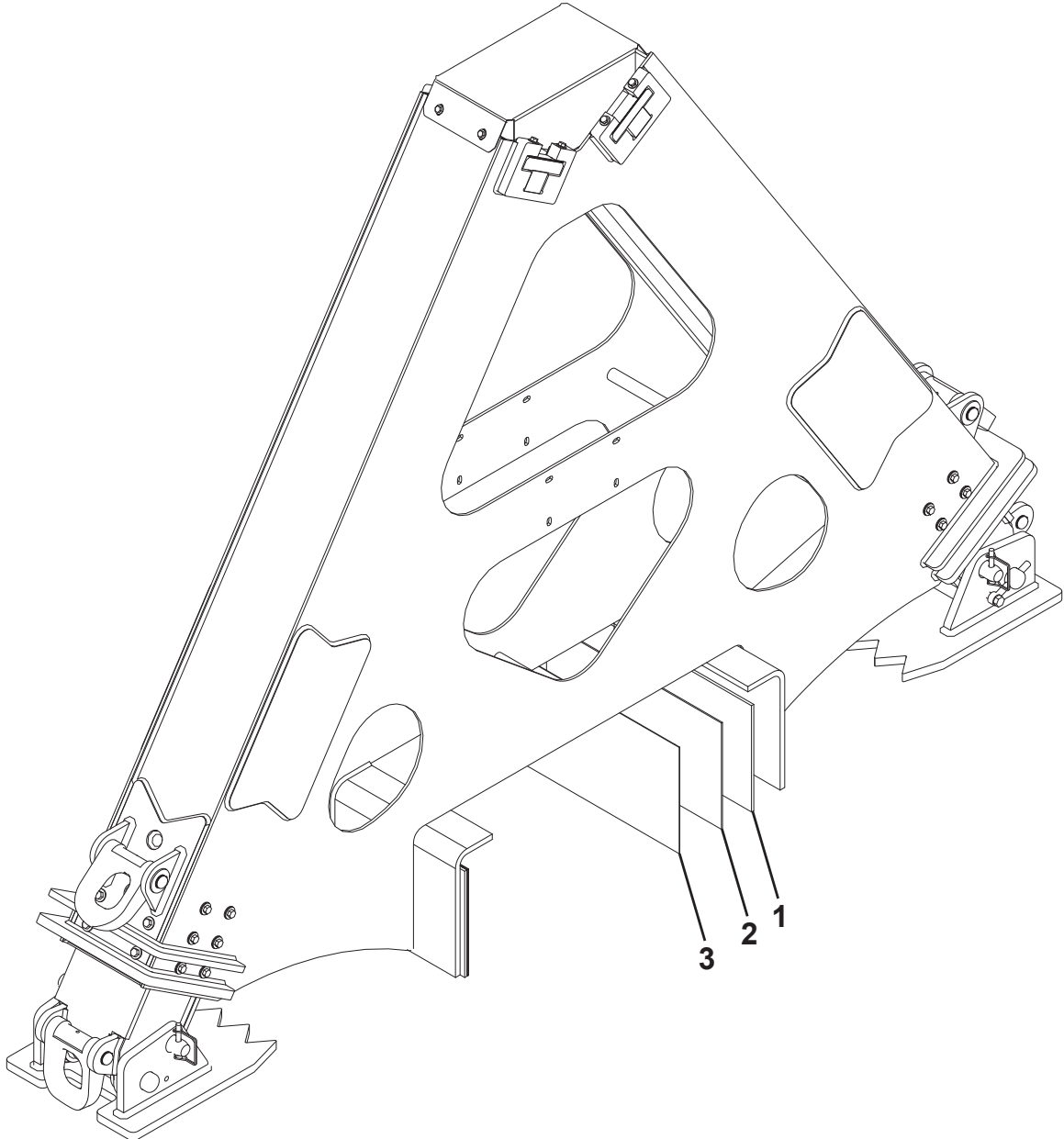
SIDE STABILIZER INSTALLATION



FRAME SHIMS INSTALLATION

ITEM	PART NO.	DESCRIPTION	QTY
	1001246419	Frame Shims Installation	Ref
1	1001246165	Shim, 0.25"	2
2	1001246166	Shim, 11 GA	2
3	1001246167	Shim, 16 GA	2

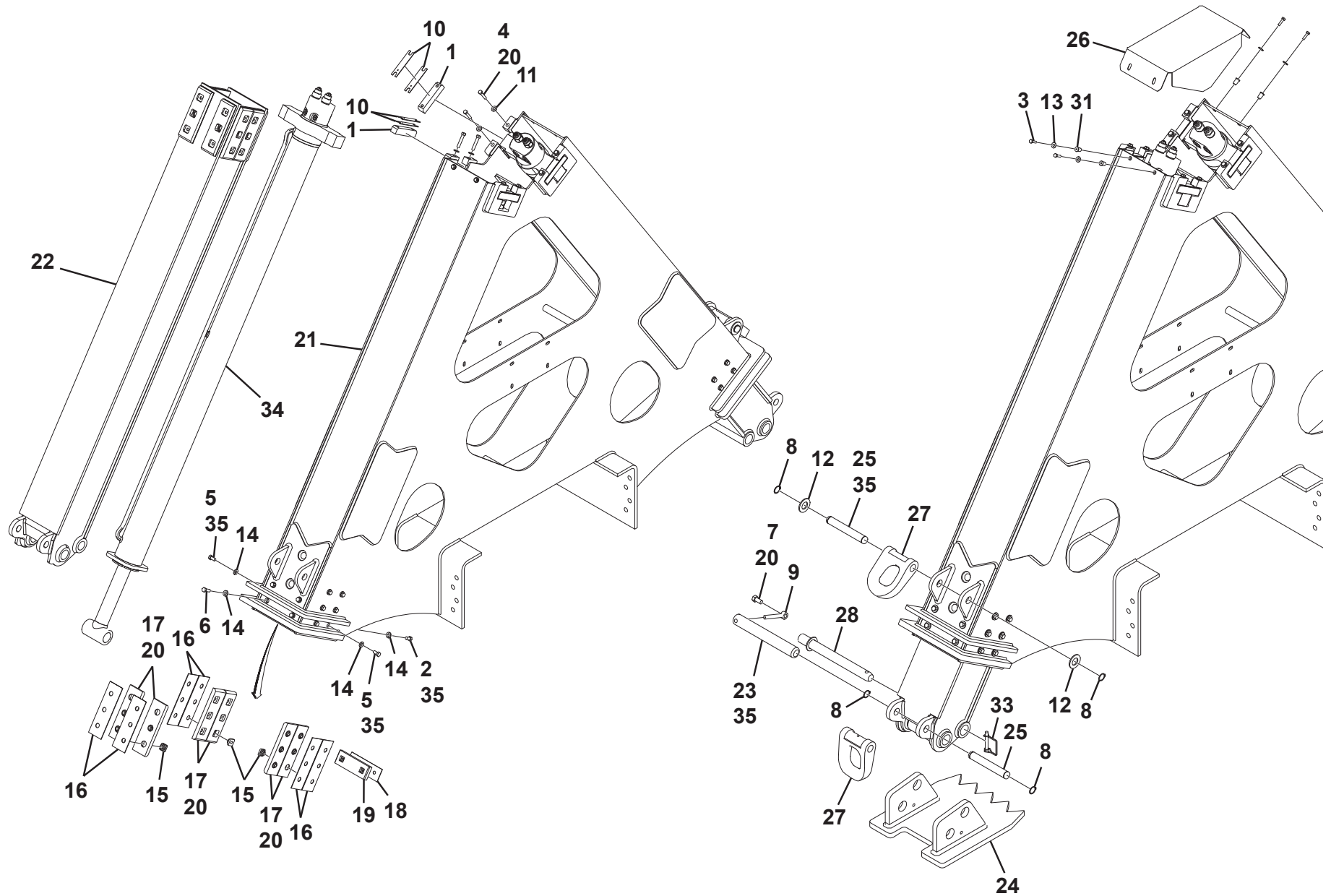
FRAME SHIMS INSTALLATION



SIDE STABILIZER ASSEMBLY

ITEM	PART NO.	DESCRIPTION	QTY
	1001239624	Side Stabilizer Assembly	Ref
1	0561482	Trunnion Keeper Block	4
2	0651606	Capscrew, 3/8"-24 x 3/4"	4
3	0681408	Capscrew, 1/4"-20 x 1"	4
4	0681616	Capscrew, 3/8"-16 x 2"	8
5	0681606	Capscrew, 3/8"-16 x 3/4"	24
6	0681609	Capscrew, 3/8"-16 x 1-1/8"	8
7	0681808	Capscrew, 1/2"-13 x 1"	2
8	3760115	Retaining Ring, 1"	8
9	3841203	Rod Keeper	2
10	4071031	Shim, Trunnion Keeper	8
11	4711600	Washer, 3/8"	8
13	4751400	Washer, 1/7"	4
14	4891600	Washer, 3/8"	36
15	7082311	Wear Pad Insert	32
16	7082342	Shim, Wear Pad, 0.75"	12
17	7111572	Wear Pad, High Capacity	12
18	91031236	Shim	2
19	91033189	Bearing Pad	2
20	1001095650	Adhesive	A/R
21	1001239626	Frame, Side Stabilizer	1
22	1001239645	Boom, Side Stabilizer Leg Assembly (See Seperate Breakdown in this Section)	2
23	1001239647	Pin, Foot Connection	2
24	1001239652	Pad, Foot Weldment	2
25	1001245044	Pin, D-Ring	4
26	1001245230	Cover, Tubes	1
27	4754000003	D-RingCast	4
28	1001245737	Pin, Weld Foot Lock	2
29	1001246753	Bracket, Pin Storage	1
30	7950140143	Flat Washer, 0.25"	4
31	7661000006	Well Nut, 1/4"-20	4
32	1001194676	Plastite Spec Screw, .25" x .75"	4
33	7691000025	Snap Pin	2
34	1001239646	Lift Cylinder (See Seperate Breakdown in this Section)	2
35	3020039	Moly Paste	A/R
36	1001157348	Decal	2

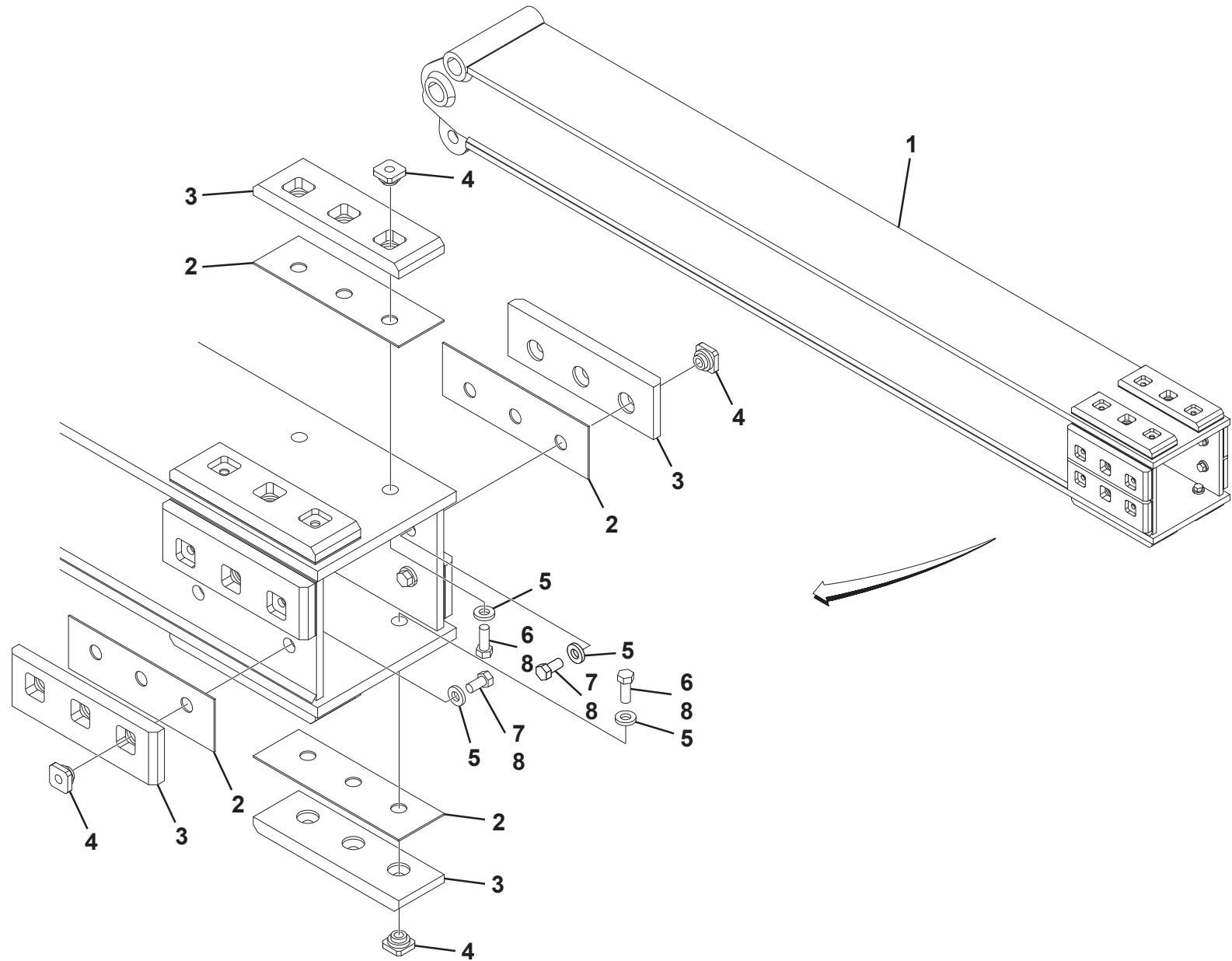
SIDE STABILIZER ASSEMBLY



SIDE STABILIZATION LEG BOOM ASSEMBLY

ITEM	PART NO.	DESCRIPTION	QTY
	1001239645	Side Stabilization Leg Boom Assembly	Ref
1	1001239648	Boom, Leg Weldment	1
2	7082342	Shim, Wear Pad	8
3	7111572	Wear Pad, High Capacity	8
4	7082311	Wear Pad Insert	16
5	4891600	Washer, 3/8"	16
6	0681608	Capscrew, 3/8"-16 x 1"	8
7	0681606	Capscrew, 3/8"-16 x 3/4"	8
8	101095650	Adhesive	A/R

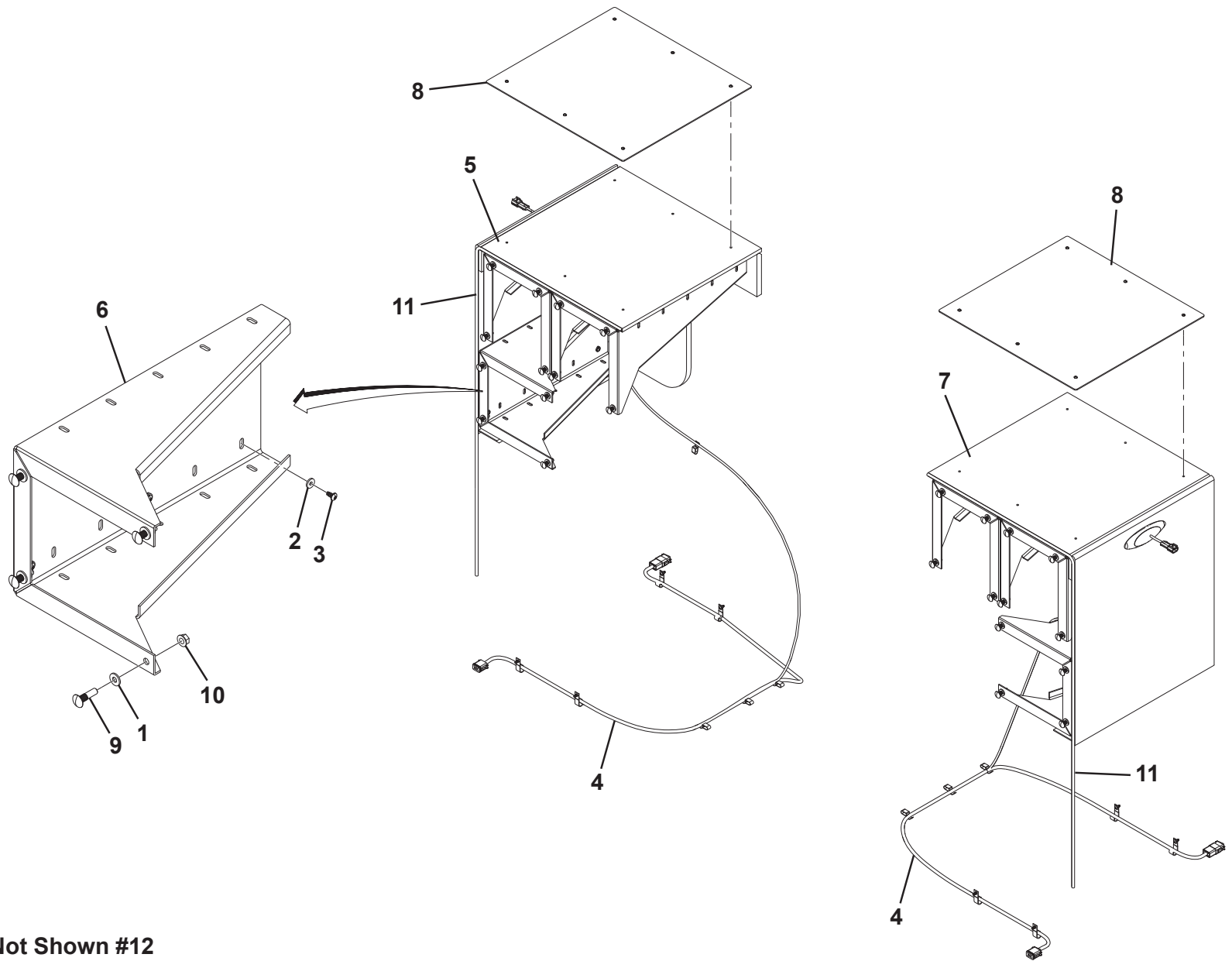
SIDE STABILIZATION LEG BOOM ASSEMBLY



BODY PANEL INSTALLATION

ITEM	PART NO.	DESCRIPTION	QTY
	1001244581	Side Stabilization Body Panel Installation	Ref
1	1001166914	Rubber Washer, 0.38"	24
2	1001166978	Rubber Washer, 0.25"	36
3	1001195257	Button Hd Screw, 0.25" x 0.50"	36
4	1001244297	Installation, Electrical Body Panel (See Seperate Breakdown in this Section)	Ref
5	1001244557	Cover	1
6	1001244564	Support	6
7	1001244579	Cover	1
8	1001245742	Top Diamond Filler Installation (See Seperate Breakdown in this Section)	1
9	1001247902	Bolt, 3/8"-16 x 1-1/2"	24
10	7660162301	Locknut, .38"	24
11	8632000017	Seal	14'
12	8798820001	Sealant	A/R

BODY PANEL INSTALLATION

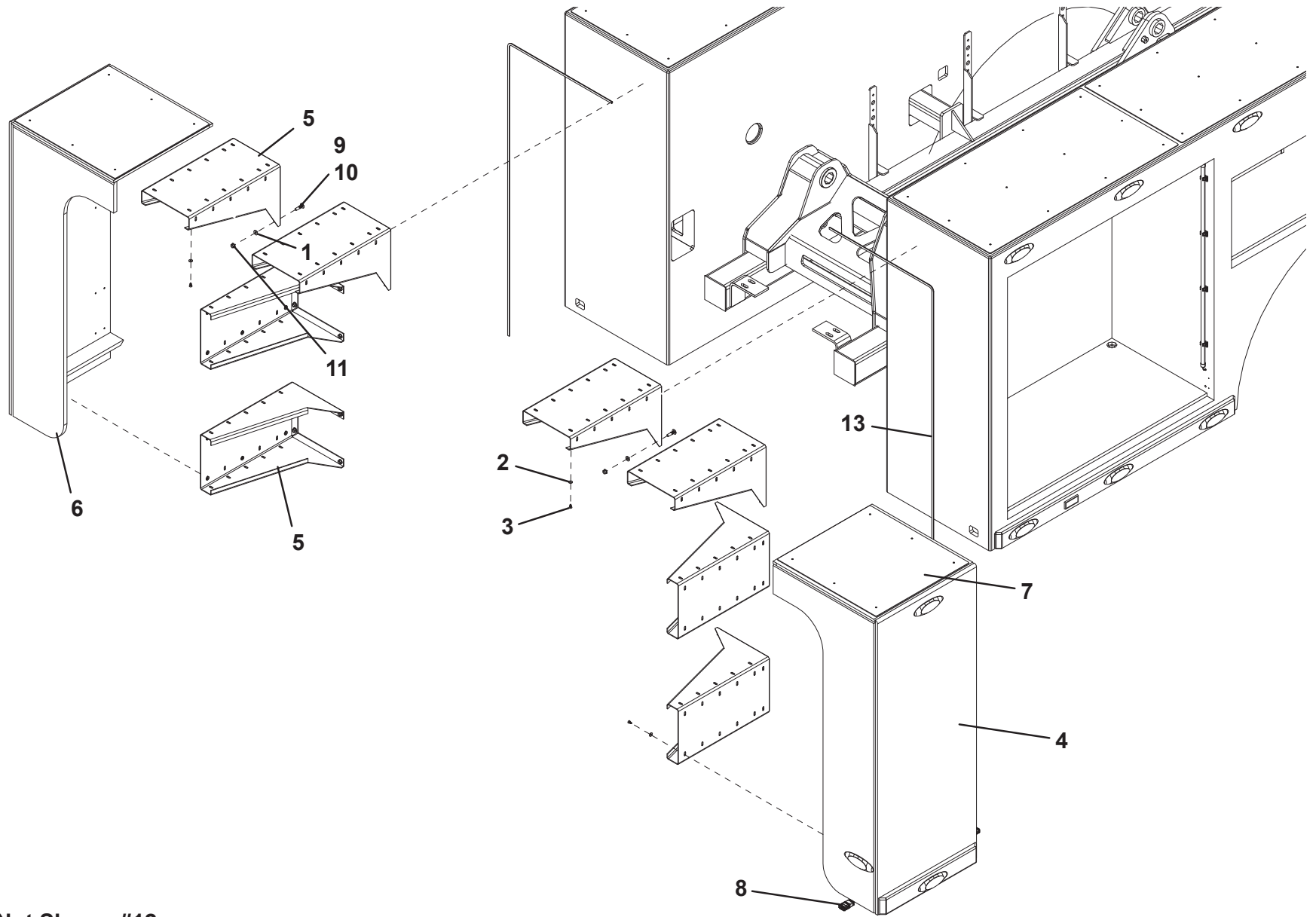


*Items Not Shown #12

FILLER PANEL INSTALLATION

ITEM	PART NO.	DESCRIPTION	QTY
	1001244580	Filler Panel Installation	Ref
1	1001166974	Rubber Washer, 0.38	32
2	1001166978	Rubber Washer, 0.25	48
3	1001195257	Button Hd Screw, 0.25 x 0.50	48
4	1001244556	Cover	1
5	1001244564	Support	8
6	1001244578	Cover	1
7	1001245742	Top Diamond Filler Installation (See Seperate Breakdown in this Section)	1
8	1001246622	Installation, Electrical Filler Panel (See Seperate Breakdown in this Section)	1
9	1001247902	Bolt, 3/8"-16 x 1-1/2"	32
10	1001247903	Bolt, 3/8"-16 x 1-3/4"	A/R
11	7660162301	Locknut, 0.38"-16	32
12	8798820001	Sealant	A/R
13	8632000017	Seal	14'

FILLER PANEL INSTALLATION

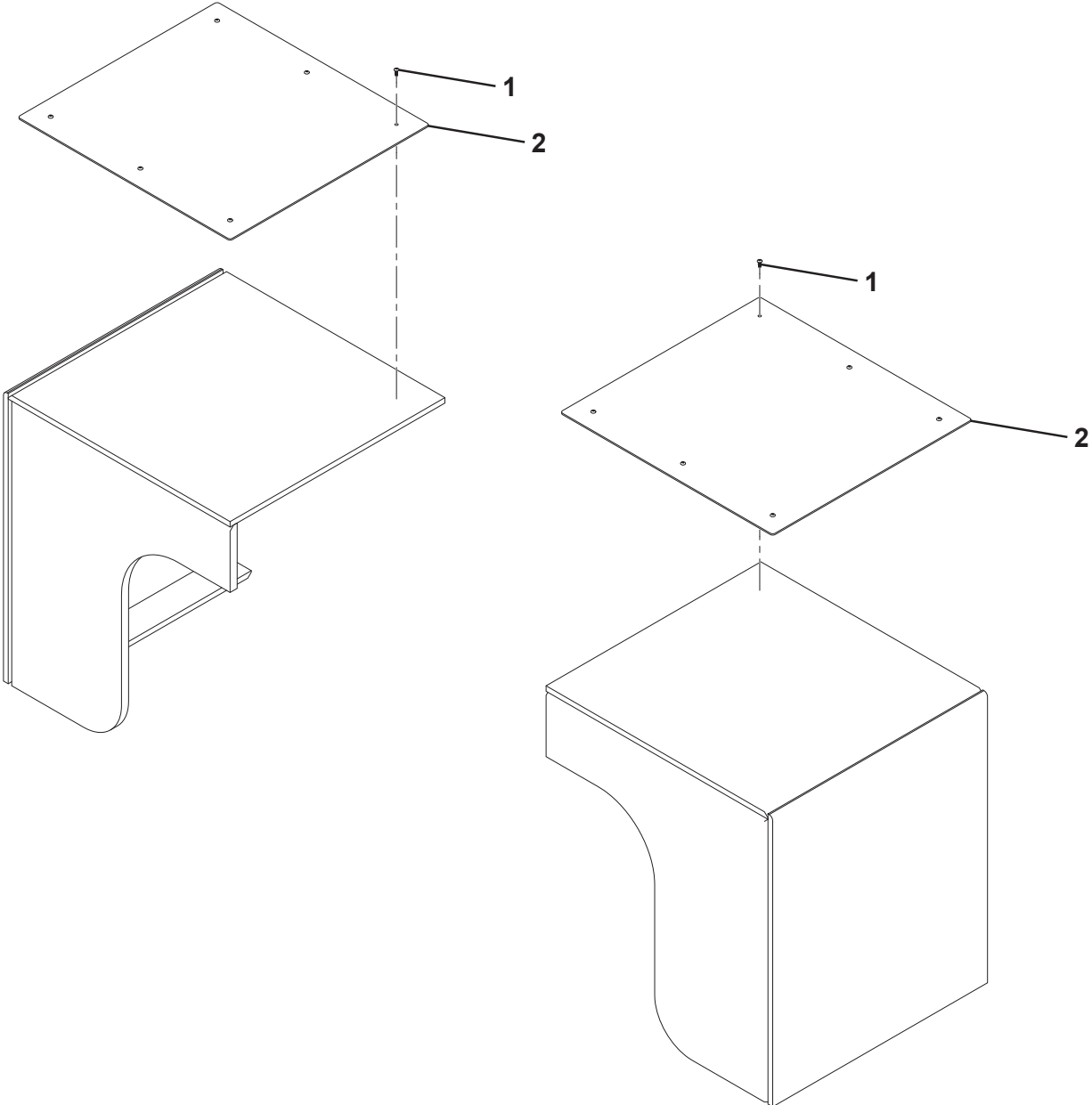


* Items Not Shown #12

TOP DIAMOND FILLER INSTALLATION

ITEM	PART NO.	DESCRIPTION	QTY
	1001245742	Top Diamond Filler Installation	Ref
1	1001192958	Plastite Screw	12
2	1001245740	Diamond Plate	2

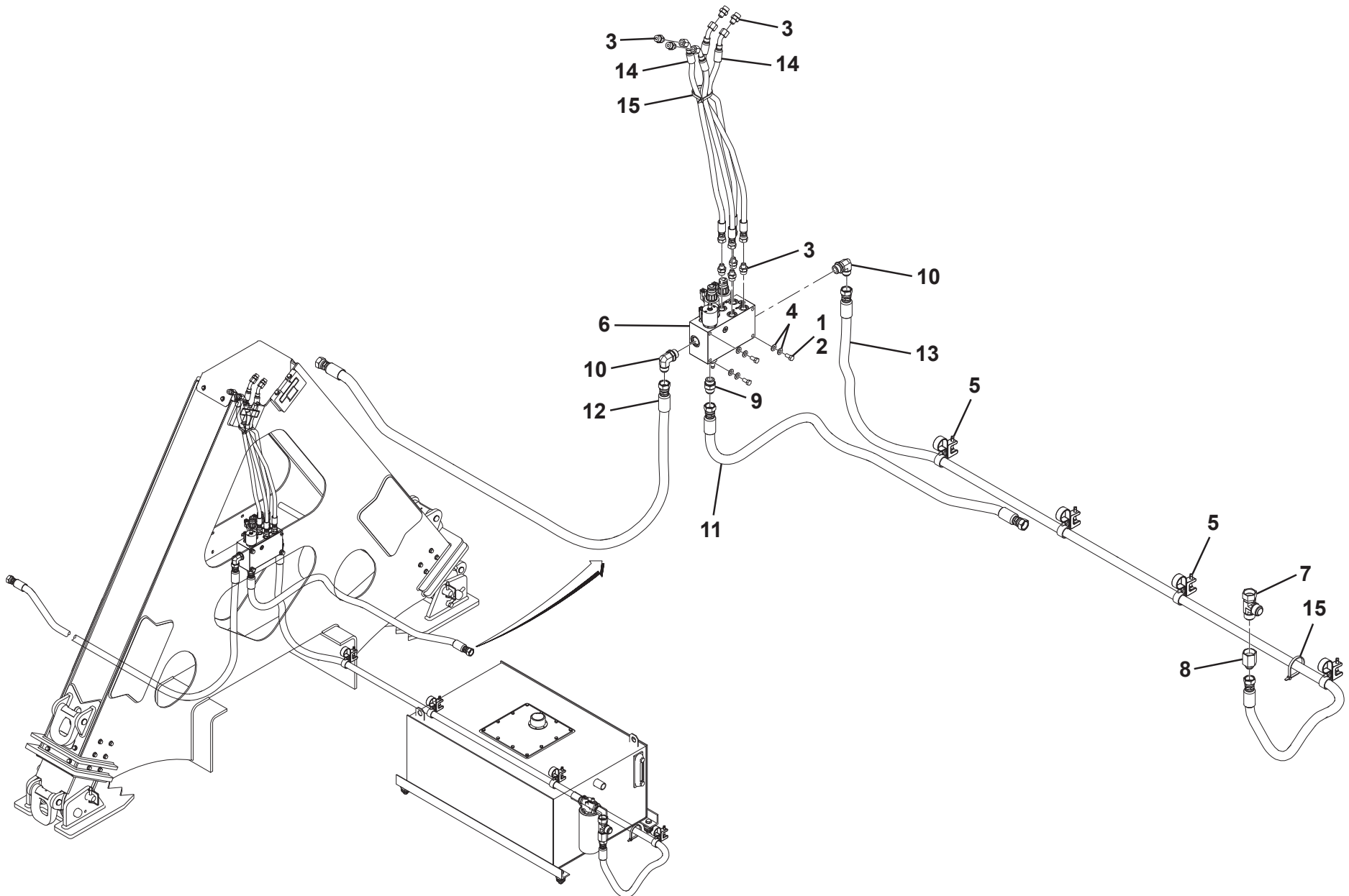
TOP DIAMOND FILLER INSTALLATION



HYDRAULIC INSTALLATION

ITEM	PART NO.	DESCRIPTION	QTY
	1001243239	Hydraulic Installation	Ref
1	0100011	Adhesive	A/R
2	0641606	Capscrew, 3/8"-16 x 3/4"	3
3	2220372	Fitting	8
4	4711600	Washer, 3/8"	6
5	1001132794	Clamp	4
6	1001243240	Hydraulic Valve (See Seperate Breakdown in this Section)	1
7	7443000213	Adapter	1
8	7443000214	Fitting, Reducer	1
9	7445121243	Fitting	1
10	7445121245	Elbow, 90 Degrees	2
11	1001244186	Hose Assembly	1
12	1001244187	Hose Assembly	1
13	1001244188	Hose Assembly	1
14	1001244189	Hose Assembly	4
15	7894000004	Strap, Cable	15

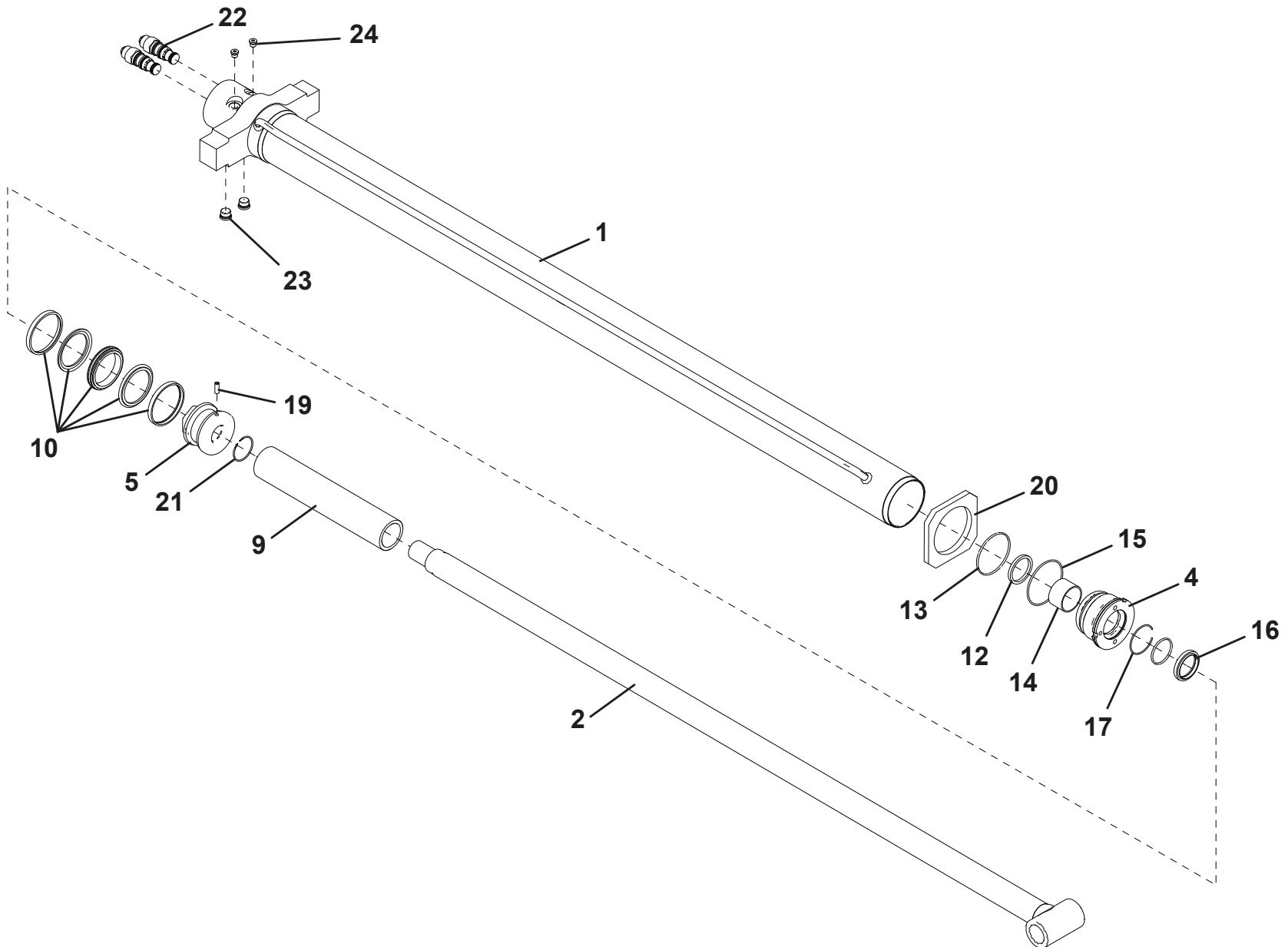
HYDRAULIC INSTALLATION



LIFT CYLINDER - 1001239646

ITEM	PART NO.	DESCRIPTION	QTY
	1001239646	Lift Cylinder	Ref
1	N.S.S.	Barrel	
2	70007179	Rod Assembly	
4	70007180	Gland	
5	70007181	Piston	
9	70007182	Spacer	
10	N.S.S.	Seal Assembly	
12	N.S.S.	Gland Seal	
13	N.S.S.	O-Ring	
14	70007183	Bushing, Gland	
15	N.S.S.	O-Ring	
16	N.S.S.	Wiper	
17	70027076	Ring, Wire	
19	70006319	Screw	
20	70007184	Plate, Support	
21	70027084	Ring, Wire	
22	70007186	Counterbalance Valve	
23	N.S.S.	Plug	
24	70025619	Blanking Plug	
25	70007185	Seal Kit, (includes items 10, 12, 13, 15 and 16)	

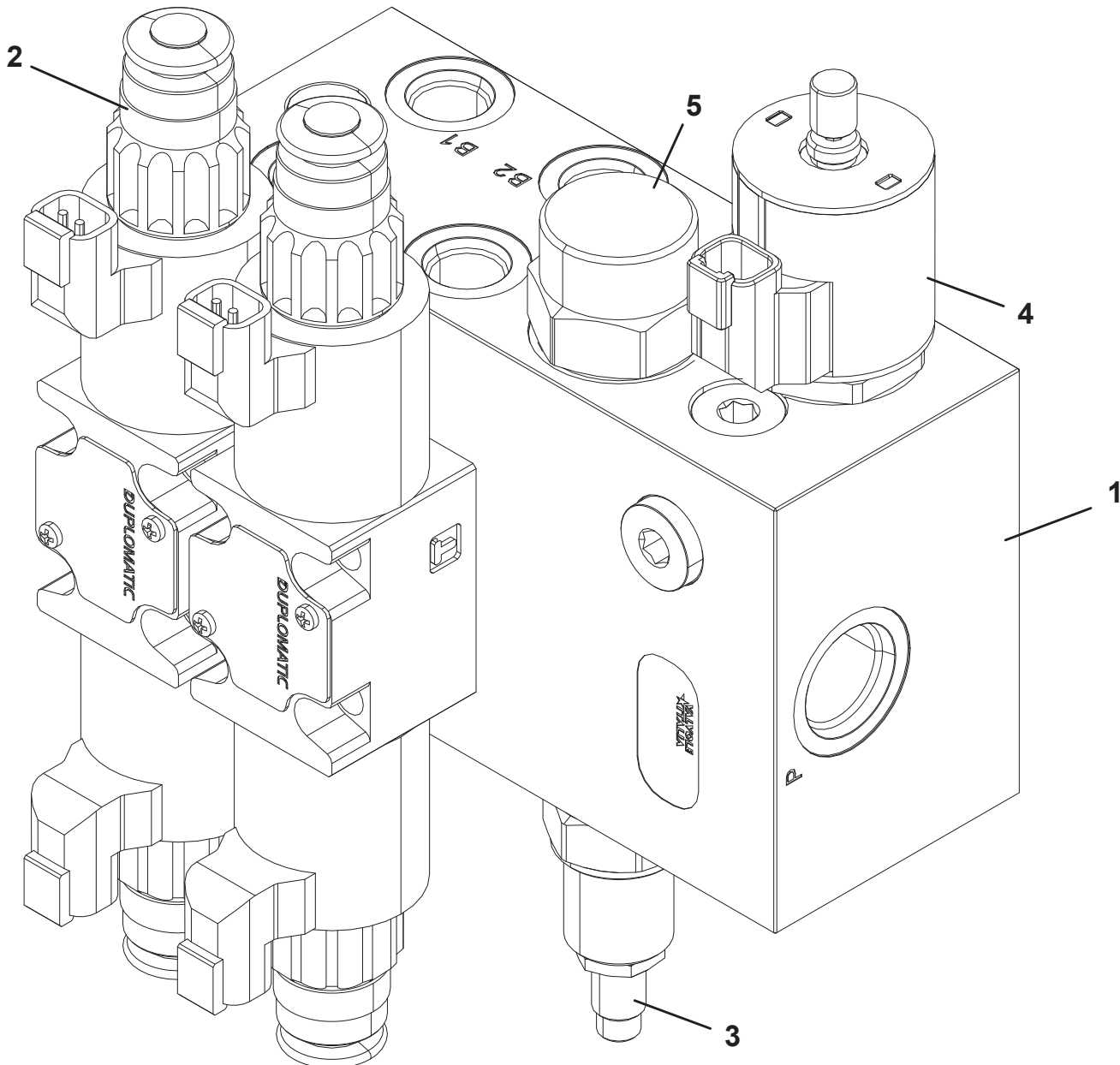
LIFT CYLINDER - 1001239646



HYDRAULIC VALVE

ITEM	PART NO.	DESCRIPTION	QTY
	1001243240	Hydraulic Valve	Ref
1		Manifold	1
2	70051970	Directional Valve	2
	70051971	Coil	
	70051972	Coil Nut	
	70051973	Seal Kit	
3	70051974	Relief Valve	1
	70051975	Seal Kit	
4	70051976	Solenoid Selector Valve	1
	70003788	Coil	
	70003977	Coil Nut	
	7024896	Seal Kit	
5	70051977	Flow Restrictor	1
	70051978	Seal Kit	

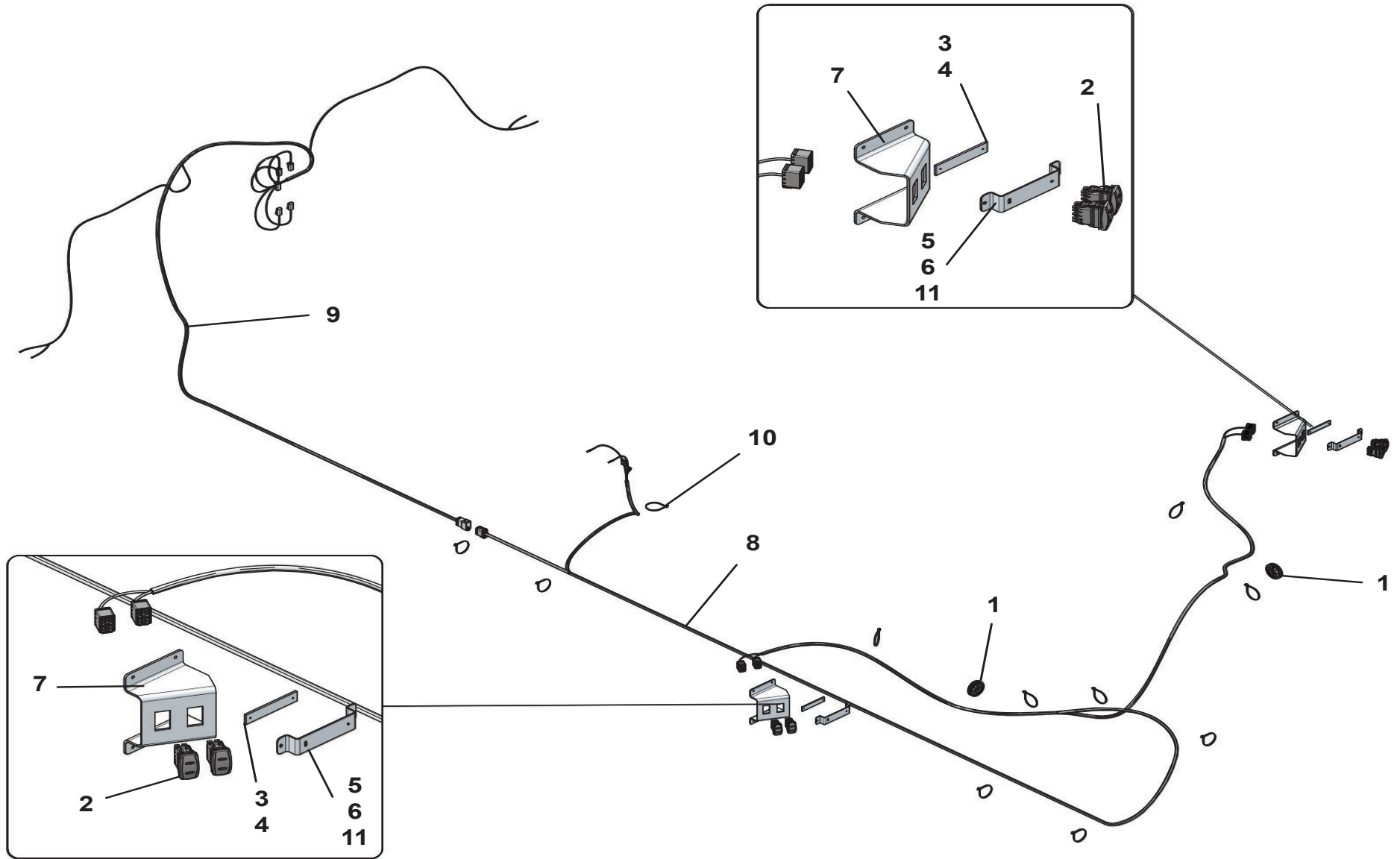
HYDRAULIC VALVE



ELECTRICAL INSTALLATION

ITEM	PART NO.	DESCRIPTION	QTY
	1001244142	Electrical Installation	Ref
1	240045	Gommet	2
2	1001136270	Switch, Rocker	4
3	1001156079	Inclinometer Backing Bar	2
4	1001156279	Inclinometer Indicator	2
5	1001167099	Bubble Level Mount	2
6	1001198602	Screw, #8	12
7	1001244185	Mount, Dual Togle Switch	2
8	1001244280	Harness, Switching	1
9	1001244281	Harness, Controls	1
10	5526000553	Tie Strap	15
11	7120000047	Screw, #4-40	4
12	7894000004	Tie Strap	20

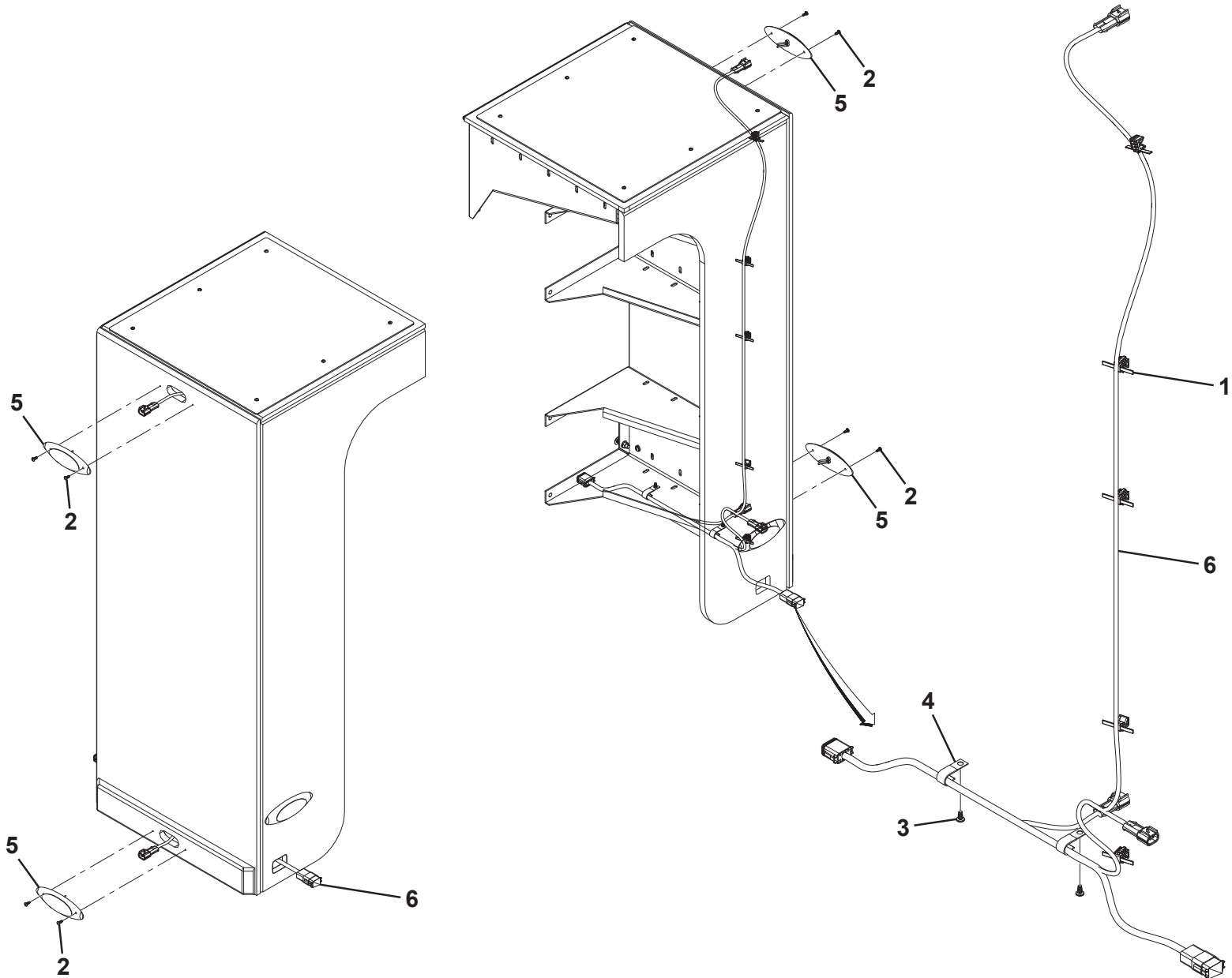
ELECTRICAL INSTALLATION



ELECTRICAL FILLER PANEL INSTALLATION

ITEM	PART NO.	DESCRIPTION	QTY
	1001246622	Electrical Filler Panel Installtion	Ref
1	1001152419	Clip, Two Piece	10
2	1001192958	Screw, Plastite, #10 x 0.50"	8
3	1001195257	Screw, Button Hd 0.25" x 0.50"	4
4	7280000006	Clip	4
5	7590000358	Light	4
6	1001244217	Harness, Filler Panel Lighting	2

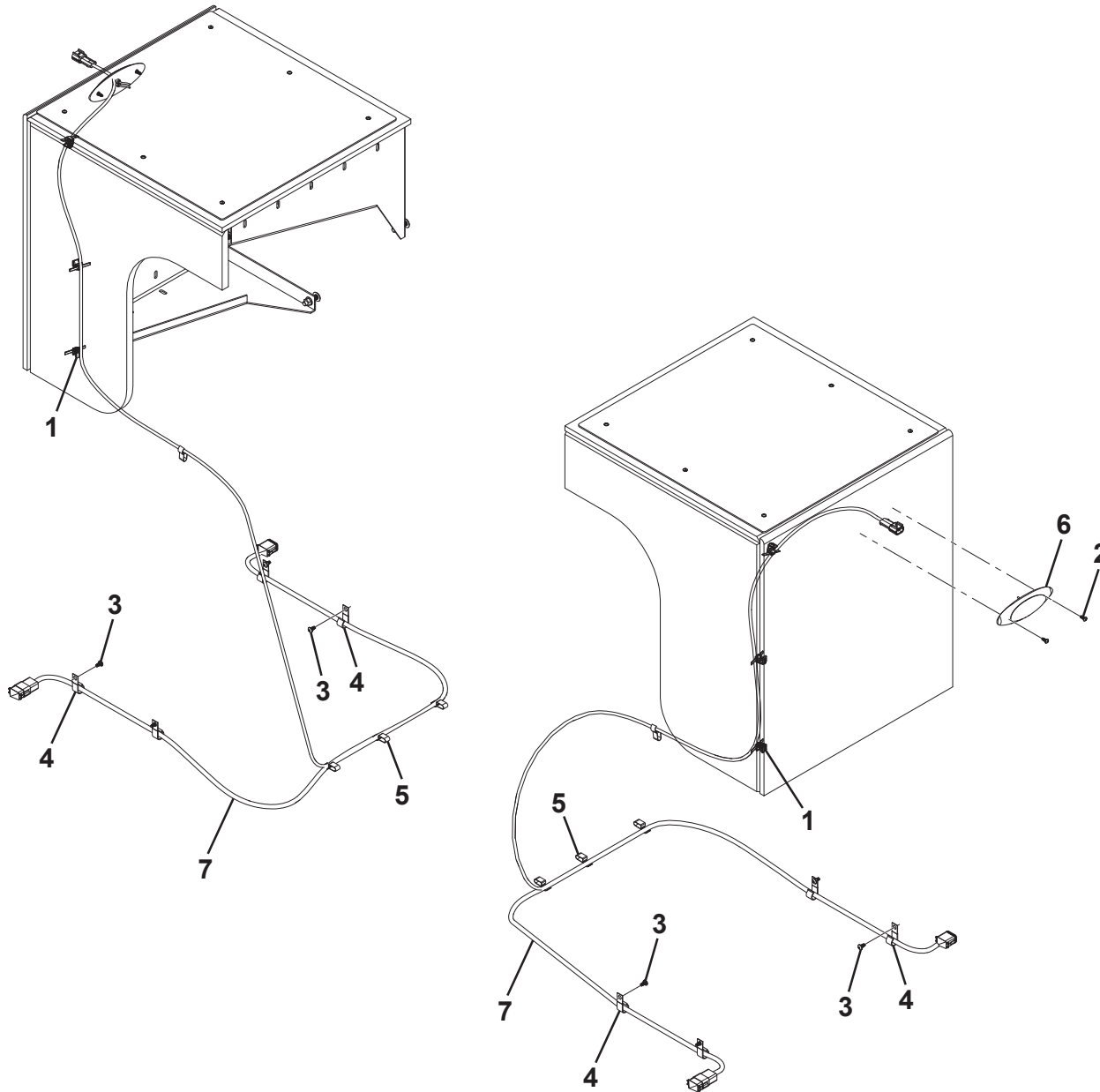
ELECTRICAL FILLER PANEL INSTALLATION



ELECTRICAL INSTALLATION WITH BODY PANEL

ITEM	PART NO.	DESCRIPTION	QTY
	1001244297	Electrical Installtion With Body Panel	Ref
1	1001152419	Clip, Two Piece	6
2	1001192958	Screw, Plastite, #10 x 0.50"	4
3	1001195257	Button HD Screw, 0.25" x 0.50"	8
4	7280000006	Clip, Wire	8
5	7280000013	Clip, Frame	8
6	7590000358	Light	2
7	1001244216	Harness, Lighting	1

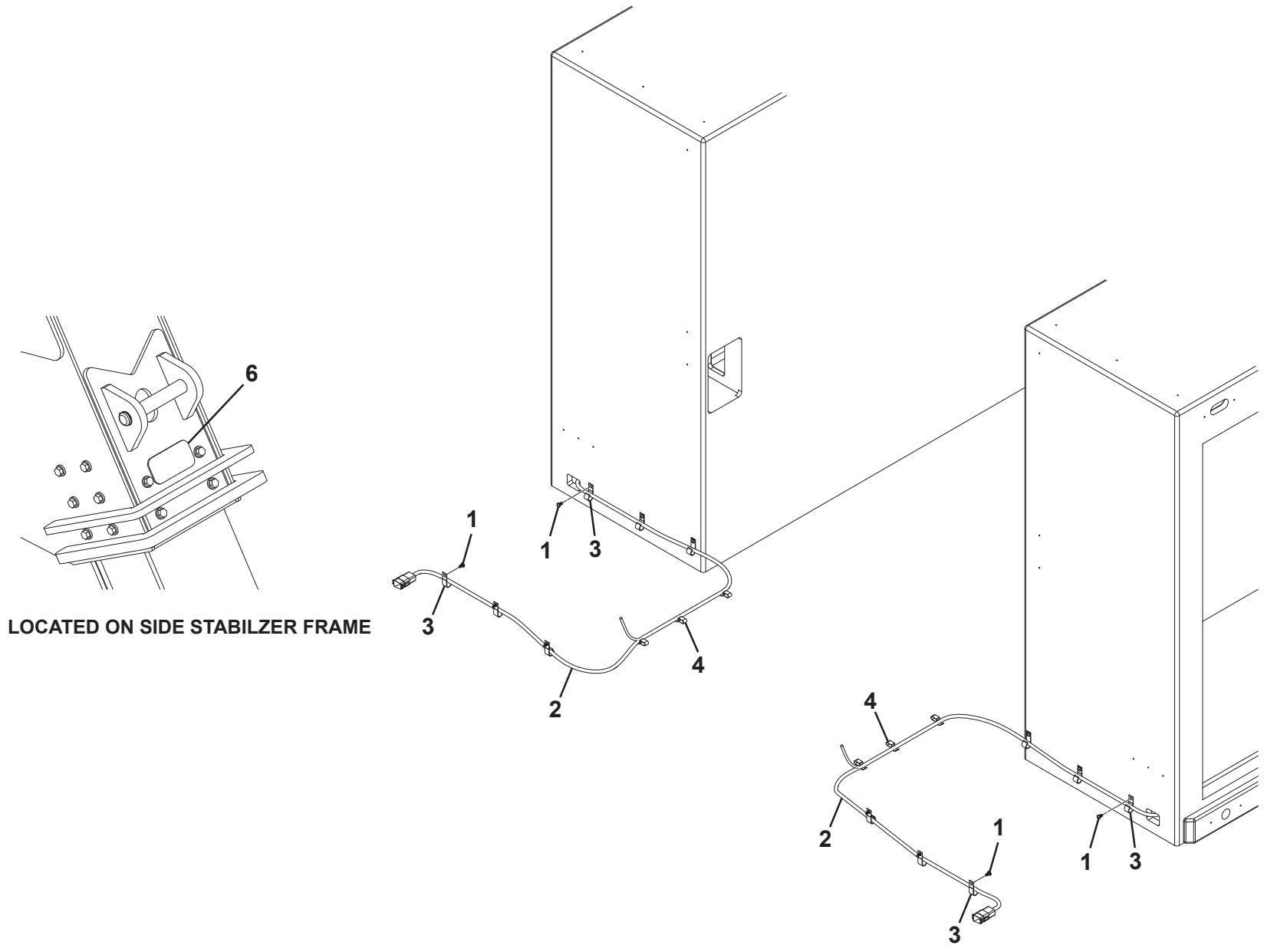
ELECTRICAL INSTALLATION WITH BODY PANEL



ELECTRICAL INSTALL, WITHOUT BODY PANEL

ITEM	PART NO.	DESCRIPTION	QTY
	1001248346	Electrical Install, Without Body Panel	Ref
1	1001195257	Screw, 0.25" x 0.50"	12
2	1001244216	Lighting Harness	2
3	7280000006	Clip	12
4	7280000013	Clip	8
5	7346000039	Tubing	1
6	1001157348	Decal, D-Ring Wear	2

ELECTRICAL INSTALL WITHOUT BODY PANEL

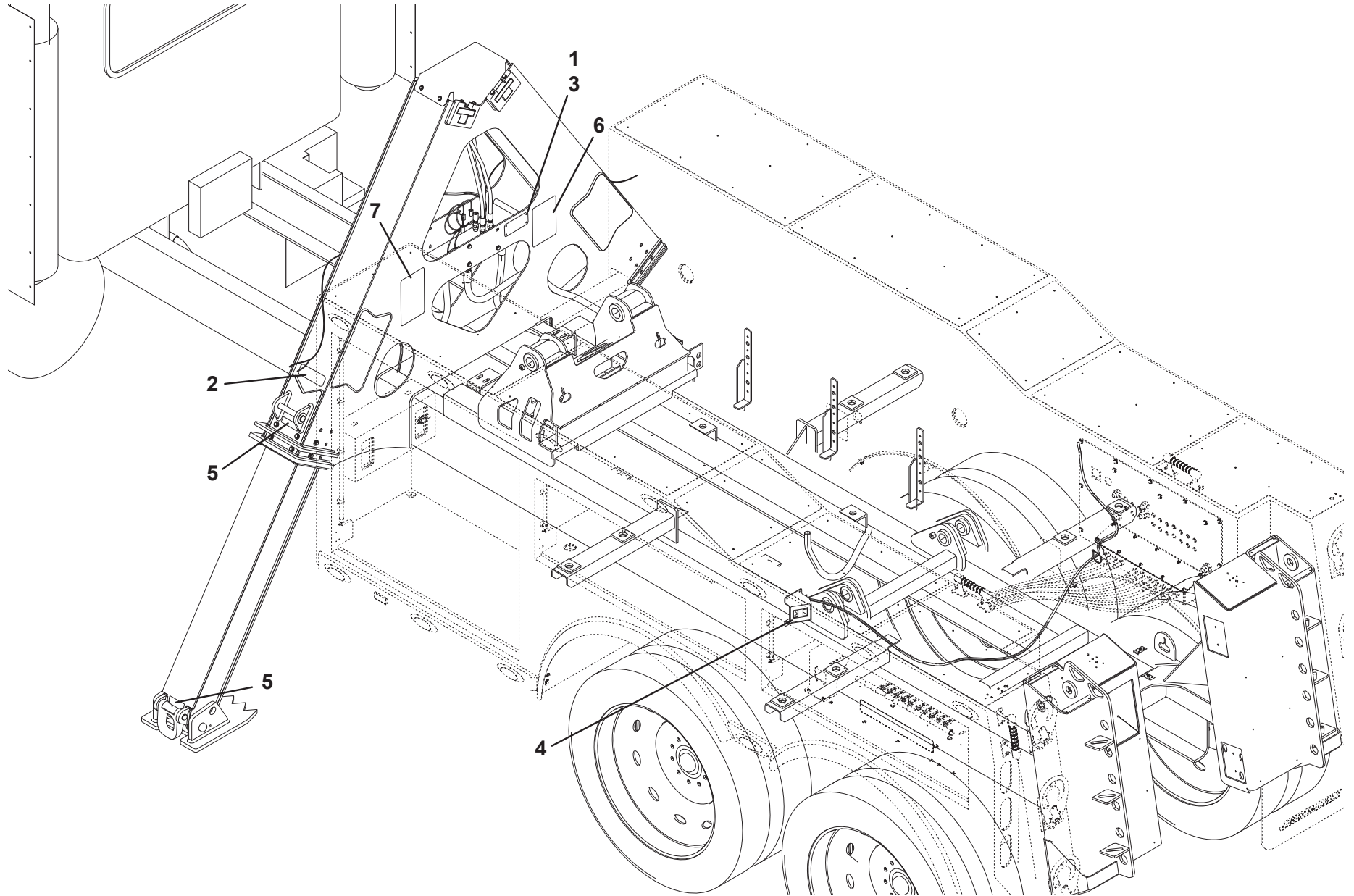


LOCATED ON SIDE STABILIZER FRAME

DECAL INSTALLATION

ITEM	PART NO.	DESCRIPTION	QTY
	1001246420	Decal Installation	Ref
1	3820031	Pop Rivet	4
2	1001136094	Decal, Crushing Hazard	2
3	1001246130	Decal, Ident Tag	1
4	1001246956	Decal, Controls	2
5	1001246957	Decal, D-Ring	4
6	1001247794	Decal, Lubrication Chart	1
7	1001247795	Decal, Override Controls	1

DECAL INSTALLATION



THIS PAGE INTENTIONALLY LEFT BLANK

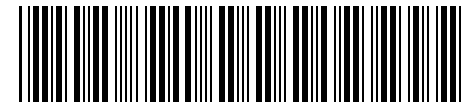
PART NUMBER INDEX

Part Number	Page	Part Number	Page	Part Number	Page	Part Number	Page
100011.....	20	70027084.....	22	1001243239.....	6, 20	1001246982.....	6
240045.....	26	70051970.....	24	1001243240.....	20, 24	1001246983.....	6
0561482.....	10	70051971.....	24	1001244142.....	6, 26	1001247174.....	6
0641606.....	20	70051972.....	24	1001244185.....	26	1001247175.....	6
0651606.....	10	70051973.....	24	1001244186.....	20	1001247794.....	34
0681408.....	10	70051974.....	24	1001244187.....	20	1001247795.....	34
0681606.....	10, 12	70051975.....	24	1001244188.....	20	1001247902.....	14, 16
0681608.....	12	70051976.....	24	1001244189.....	20	1001247903.....	16
0681609.....	10	70051977.....	24	1001244216.....	30, 32	1001248346.....	32
0681616.....	10	70051978.....	24	1001244217.....	28	4754000003.....	10
0681808.....	10	91031236.....	10	1001244280.....	26	5526000553.....	26
2220372.....	20	91033189.....	10	1001244281.....	26	7120000047.....	26
3020039.....	10	101095650.....	12	1001244297.....	14, 30	7280000006.....	28, 30, 32
3760115.....	10	1001095650.....	10	1001244556.....	16	7280000013.....	30, 32
3820031.....	34	1001132794.....	20	1001244557.....	14	7346000039.....	32
3841203.....	10	1001136094.....	34	1001244564.....	14, 16	7443000213.....	20
4071031.....	10	1001136270.....	26	1001244578.....	16	7443000214.....	20
4711600.....	10, 20	1001152419.....	28, 30	1001244579.....	14	7445121243.....	20
4751400.....	10	1001156079.....	26	1001244580.....	16	7445121245.....	20
4891600.....	10, 12	1001156279.....	26	1001244581.....	14	7590000358.....	28, 30
7024896.....	24	1001157348.....	10, 32	1001245044.....	10	7660162301.....	14, 16
7082311.....	10, 12	1001166914.....	14	1001245230.....	10	7661000006.....	10
7082342.....	10, 12	1001166974.....	16	1001245737.....	10	7691000025.....	10
7111572.....	10, 12	1001166978.....	14, 16	1001245740.....	18	7894000004.....	20, 26
70003788.....	24	1001167099.....	26	1001245742.....	14, 16, 18	7950140143.....	10
70003977.....	24	1001192958.....	18, 28, 30	1001246130.....	34	8632000017.....	14, 16
70006319.....	22	1001194676.....	10	1001246165.....	8	8798820001.....	14, 16
70007179.....	22	1001195257.....	14, 16, 28, 30, 32	1001246166.....	8		
70007180.....	22	1001198602.....	26	1001246167.....	8		
70007181.....	22	1001239622.....	6	1001246419.....	6, 8		
70007182.....	22	1001239624.....	6, 10	1001246420.....	6, 34		
70007183.....	22	1001239626.....	10	1001246622.....	16, 28		
70007184.....	22	1001239645.....	10, 12	1001246753.....	10		
70007185.....	22	1001239646.....	10, 22	1001246956.....	34		
70007186.....	22	1001239647.....	10	1001246957.....	34		
70025619.....	22	1001239648.....	12	1001246980.....	6		
70027076.....	22	1001239652.....	10	1001246981.....	6		

THIS PAGE INTENTIONALLY LEFT BLANK



Phone (800) 926-9666



5376000218